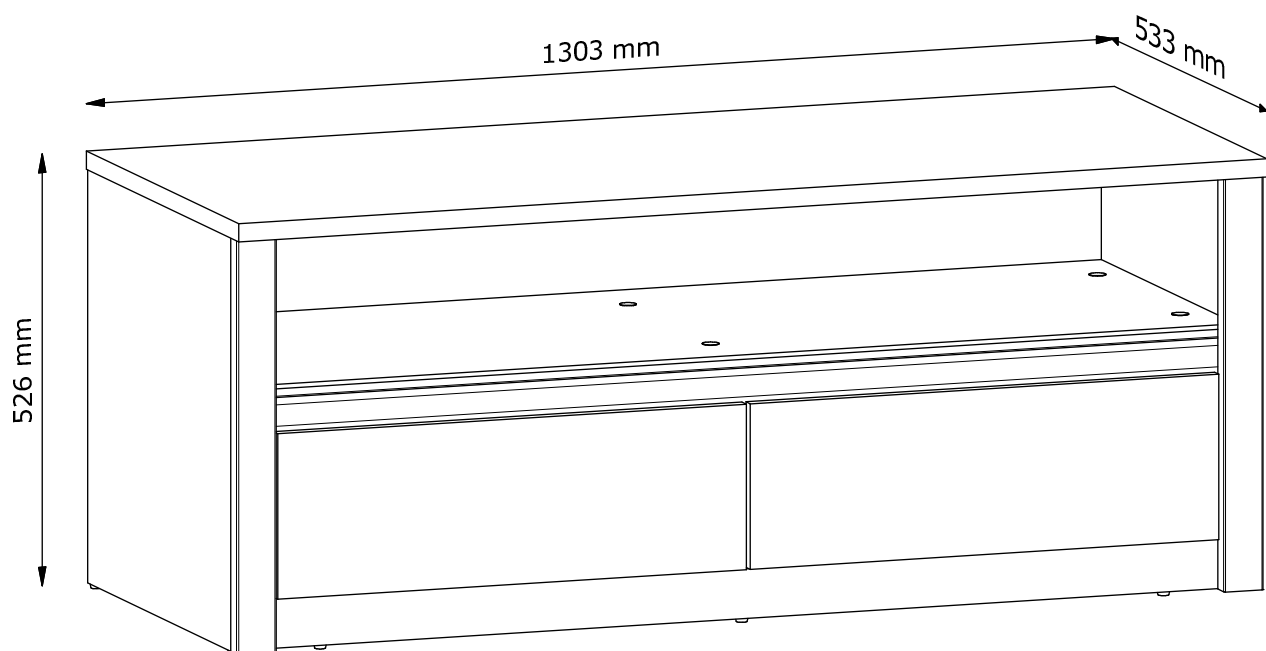
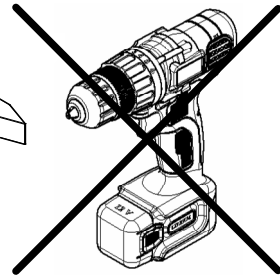
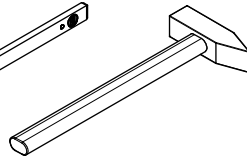
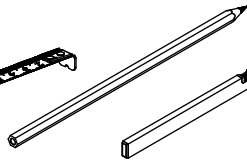
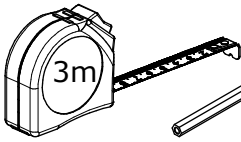
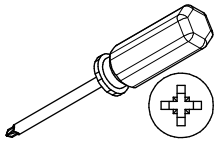


**RTV**

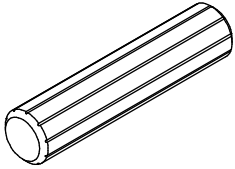


**PL:** INSTRUKCJA MONTAŻU  
**EN:** ASSEMBLY MANUAL  
**CZ:** PŘÍRUČKA PRO MONTÁŽ  
**SK:** PRÍRUČKA PRE MONTÁŽ  
**DE:** MONTAGEANLEITUNG  
**SR:** UPUTSTVO ZA INSTALACIJU  
**NL:** MONTAGE-INSTRUCTIES

05.08.2020 - Rev. 3

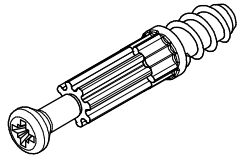


**A1** x24



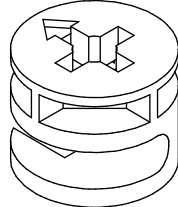
Ø8x35mm

**B1** x24



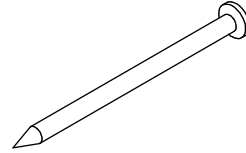
Ø5x38mm

**C1** x24



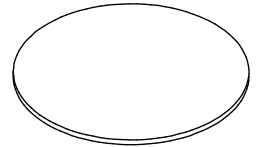
Ø15x12mm

**G1** x60



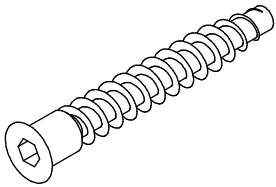
26mm

**J** x16



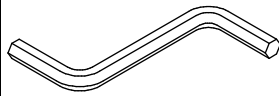
Ø21mm

**K1** x20



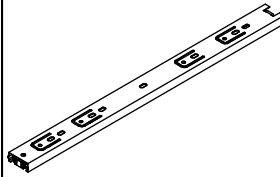
Ø6,4x50mm

**N2** x1



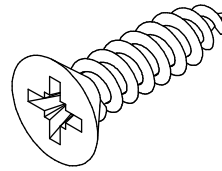
4mm HEX

**P3** x4



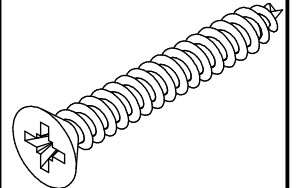
400mm

**W2** x20



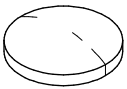
Ø3,5x16mm

**W5** x2



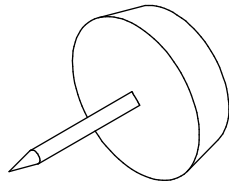
Ø4x30mm

**Y1** x4

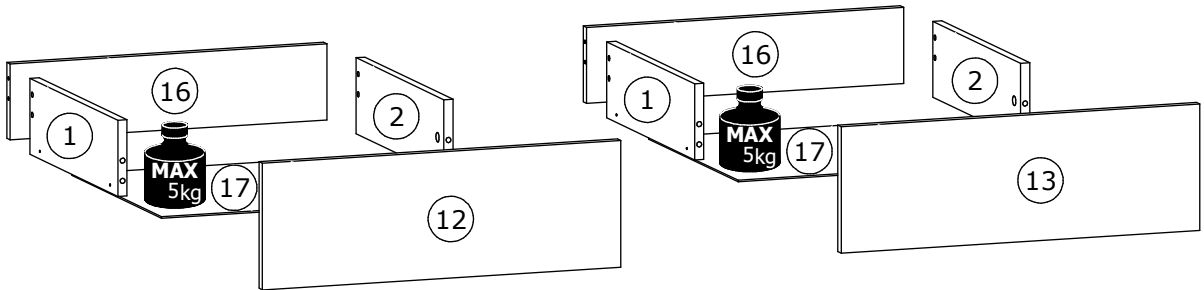
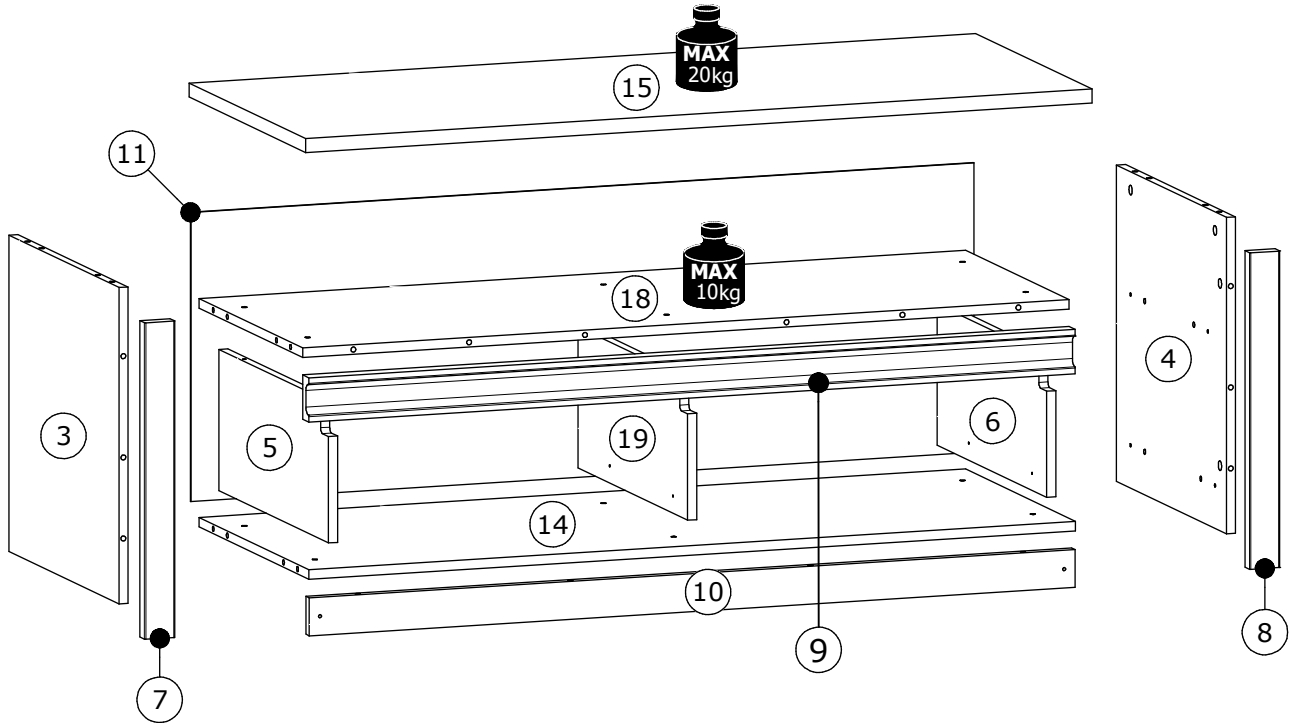
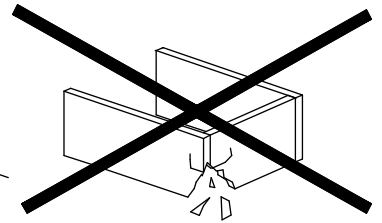
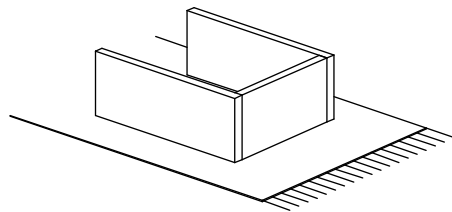
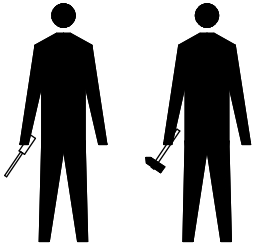


Ø8x1,5mm

**Y5** x7



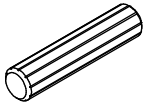
Ø15x20mm



No.	L[mm]	W[mm]	H[mm]	PSC	BOX
1	120	400	15	2	1
2	120	400	15	2	1
3	500	500	15	1	1
4	500	500	15	1	1
5	499	223	15	1	1
6	499	223	15	1	1
7	500	50	22	1	1
8	500	50	22	1	1
9	1270	70	28	1	1
10	1269	60	15	1	1
11	1297	457	2,5	1	1
12	594	200	15	1	1
13	594	200	15	1	1
14	1270	500	15	1	1
15	1303	530	22	1	1
16	525	120	15	2	1
17	553	408	2,5	2	1
18	1270	471	15	1	1
19	499	223	15	1	1

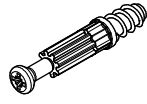
1

A1 x 6

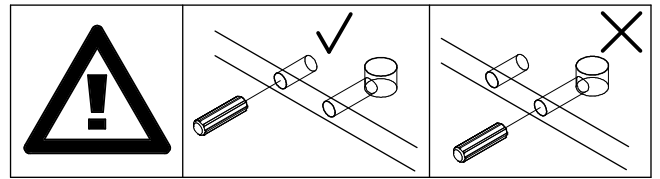
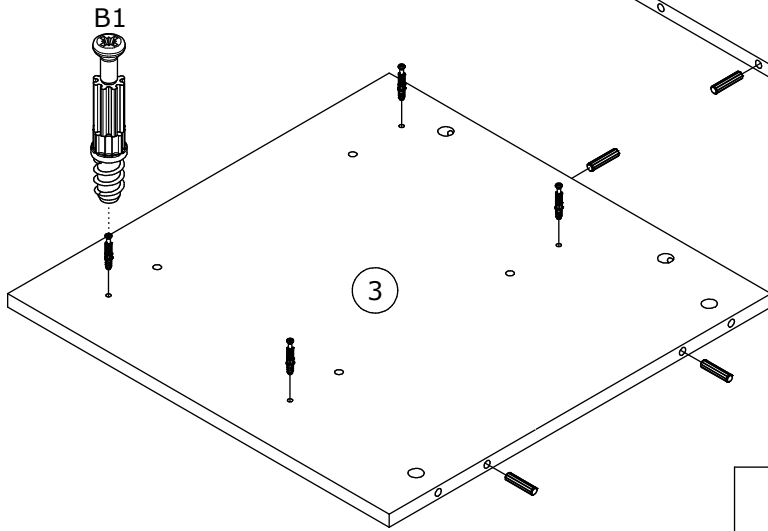
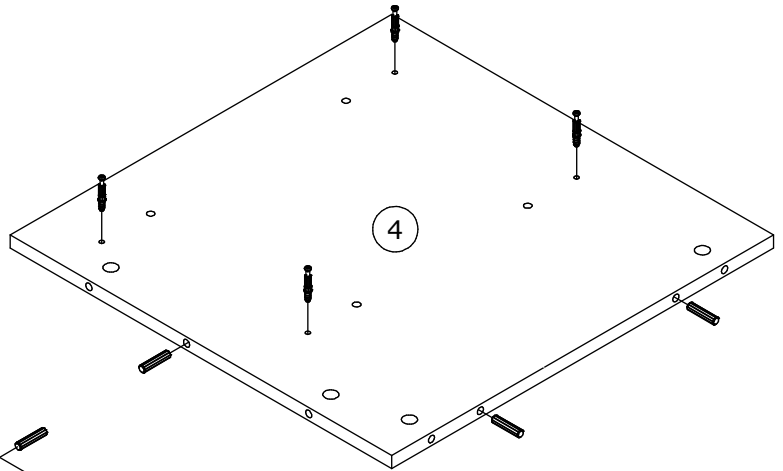
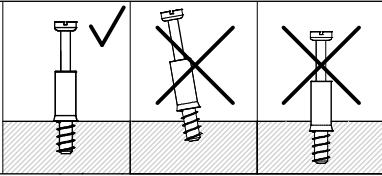
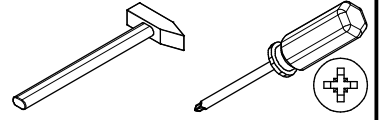


Ø8x35mm

B1 x 8

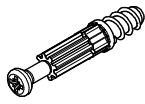


Ø5x38mm

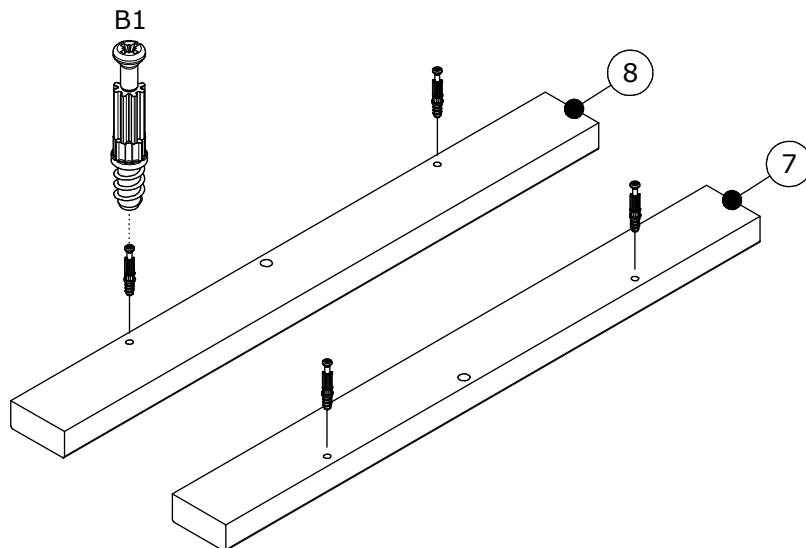
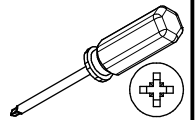


2

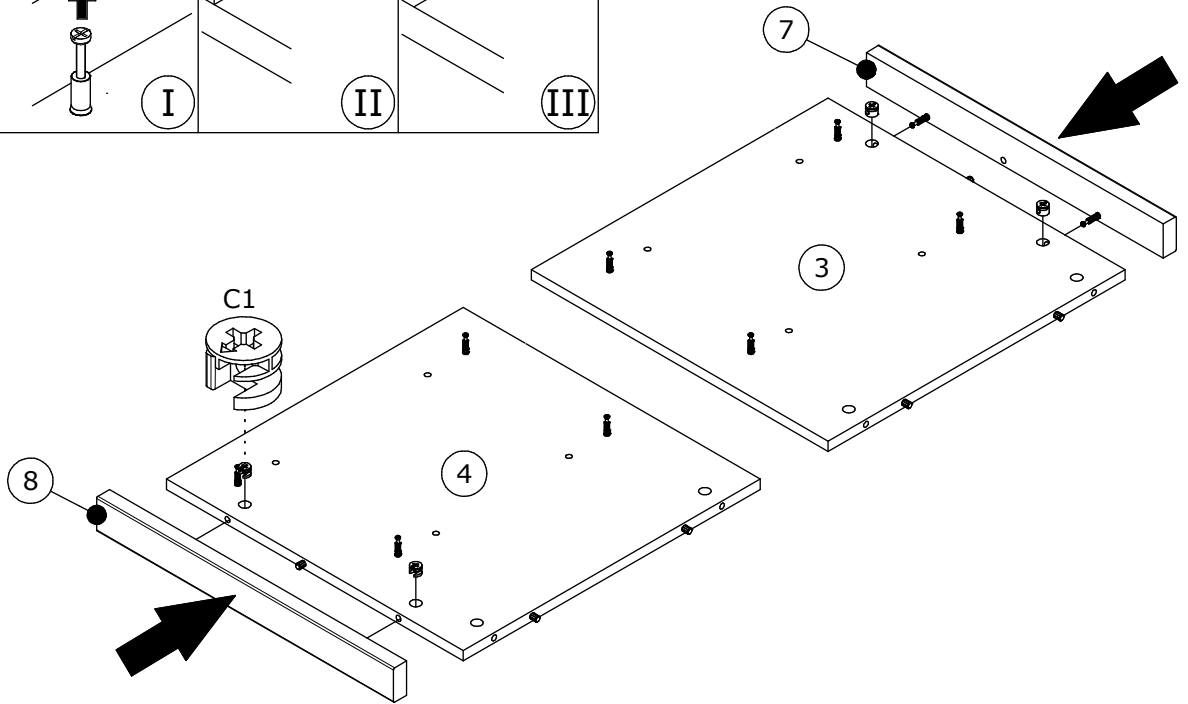
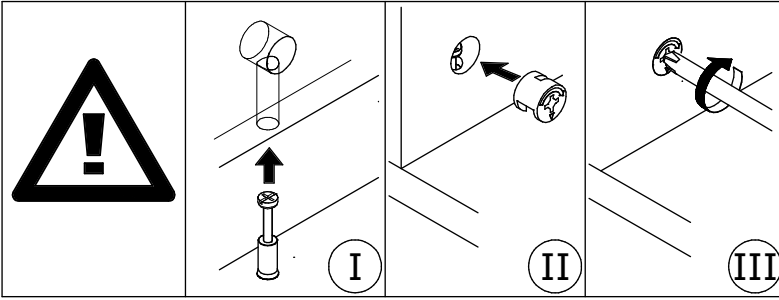
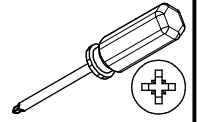
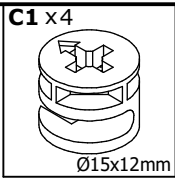
B1 x 4



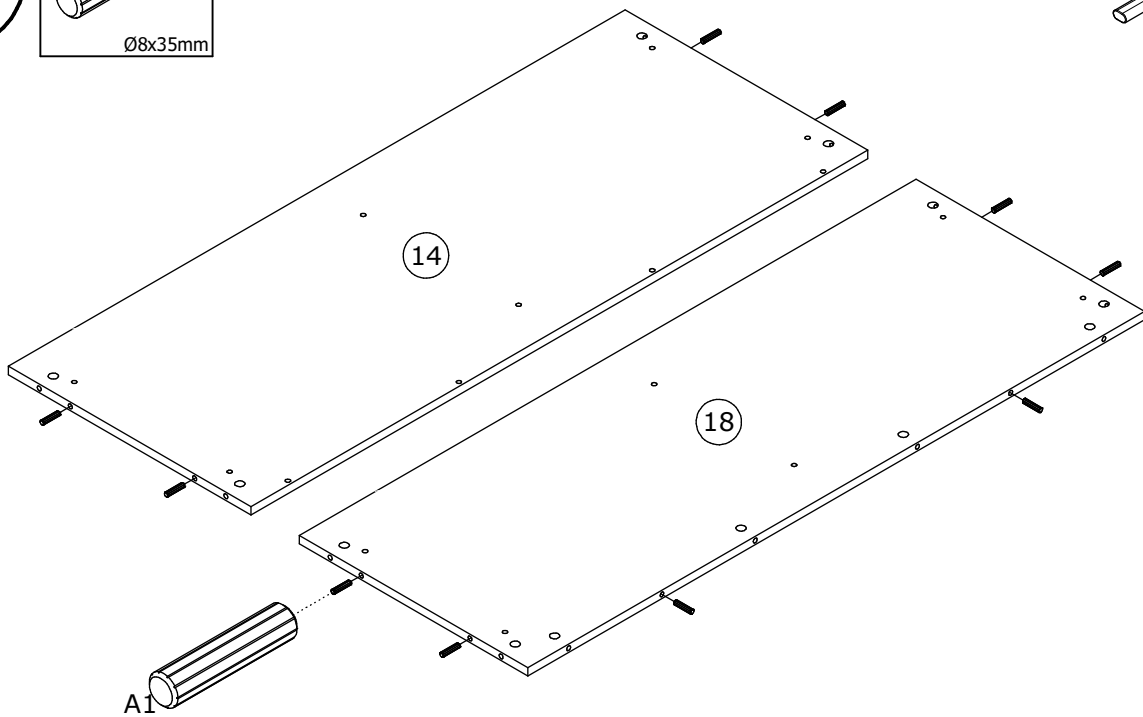
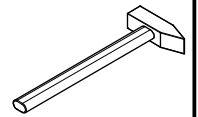
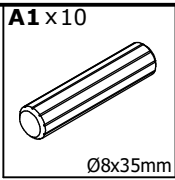
Ø5x38mm



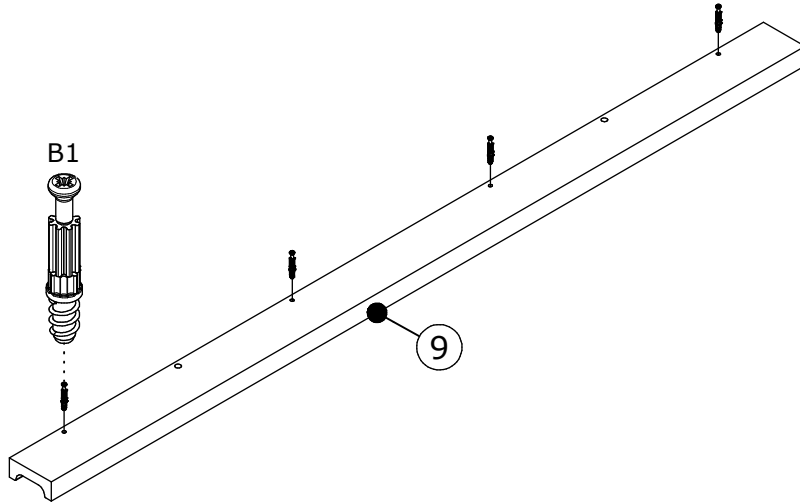
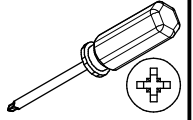
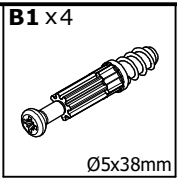
3



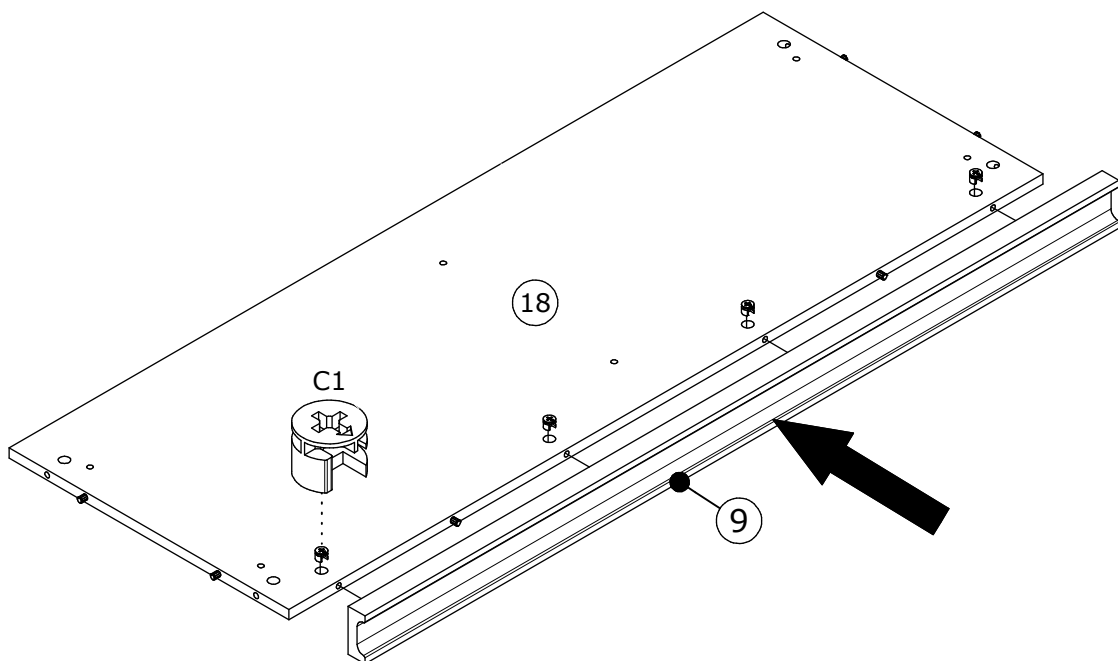
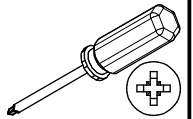
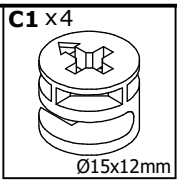
4



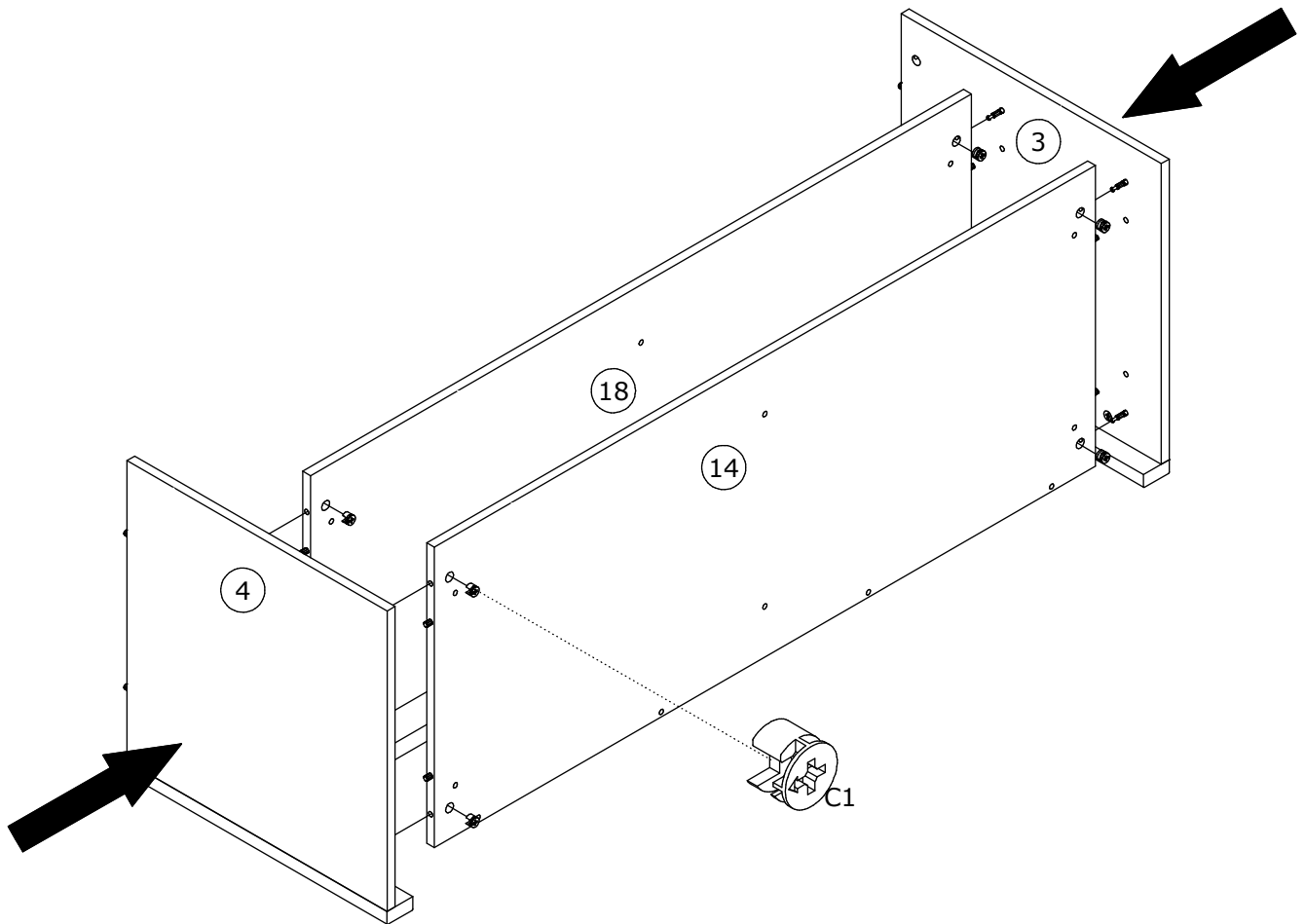
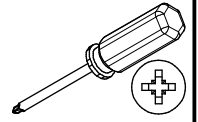
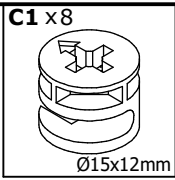
5



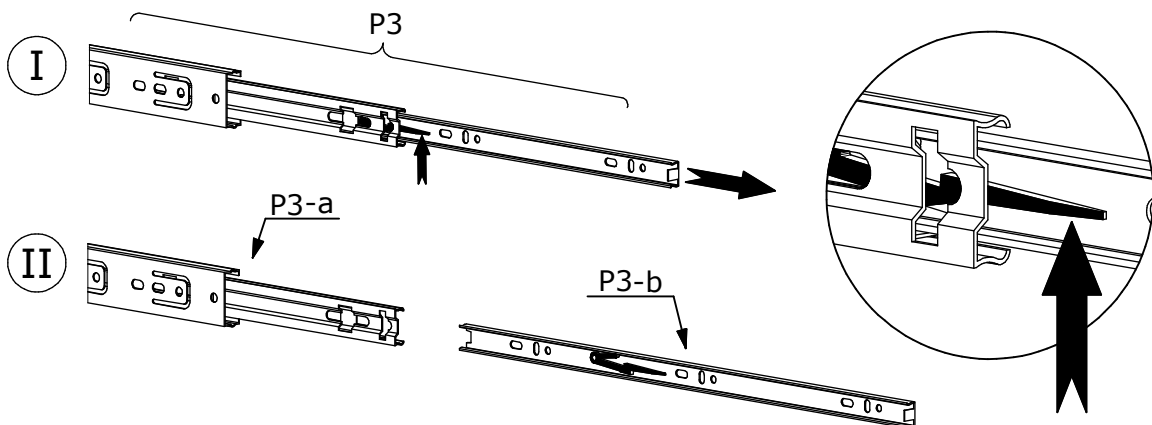
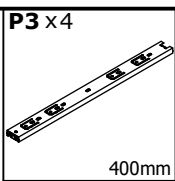
6



7

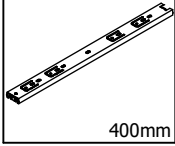


8



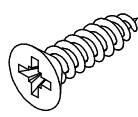
9

P3-a x 2

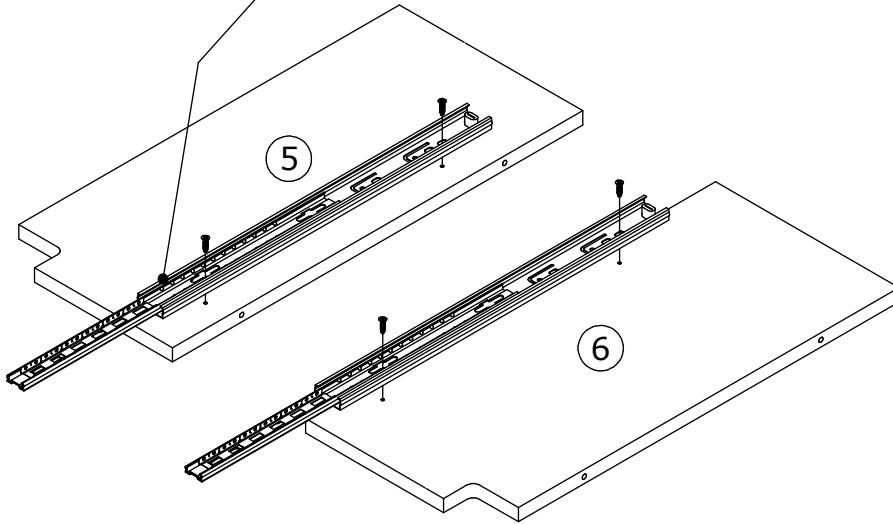
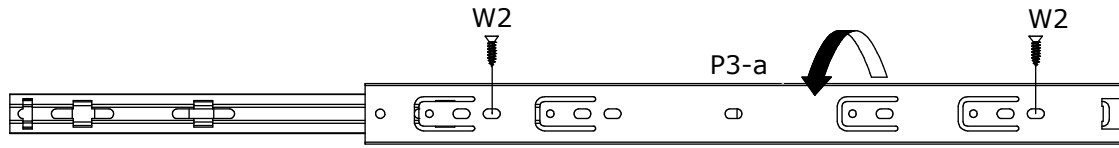
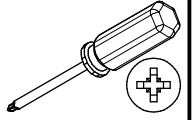


400mm

W2 x 4

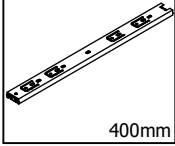


Ø3,5x16mm



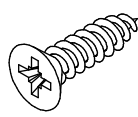
10

P3-a x 2

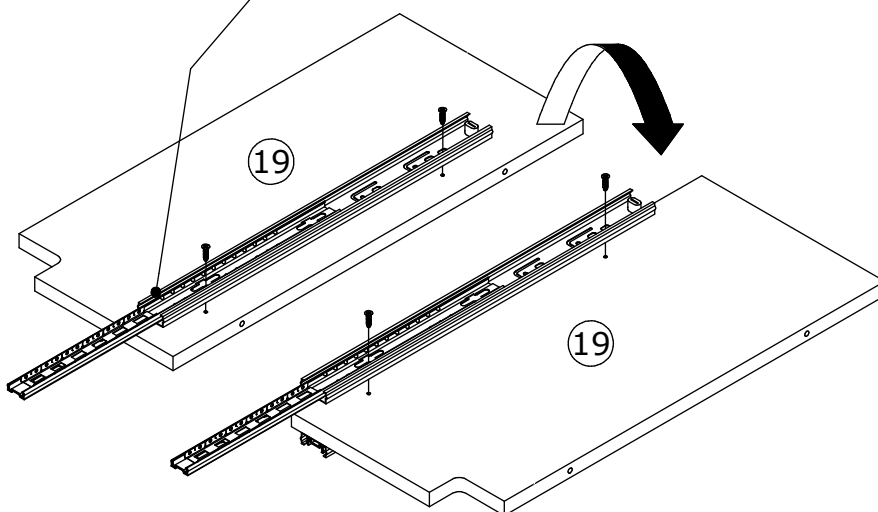
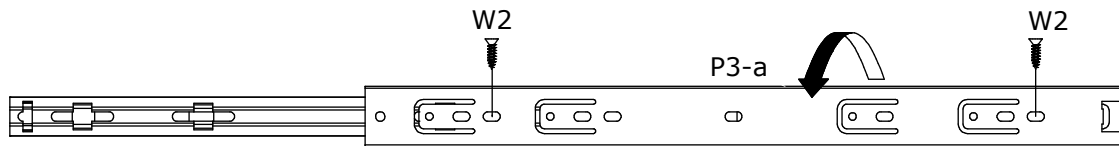
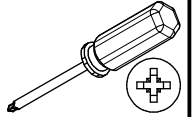


400mm

W2 x 4



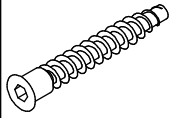
Ø3,5x16mm





**11**

**K1 x12**

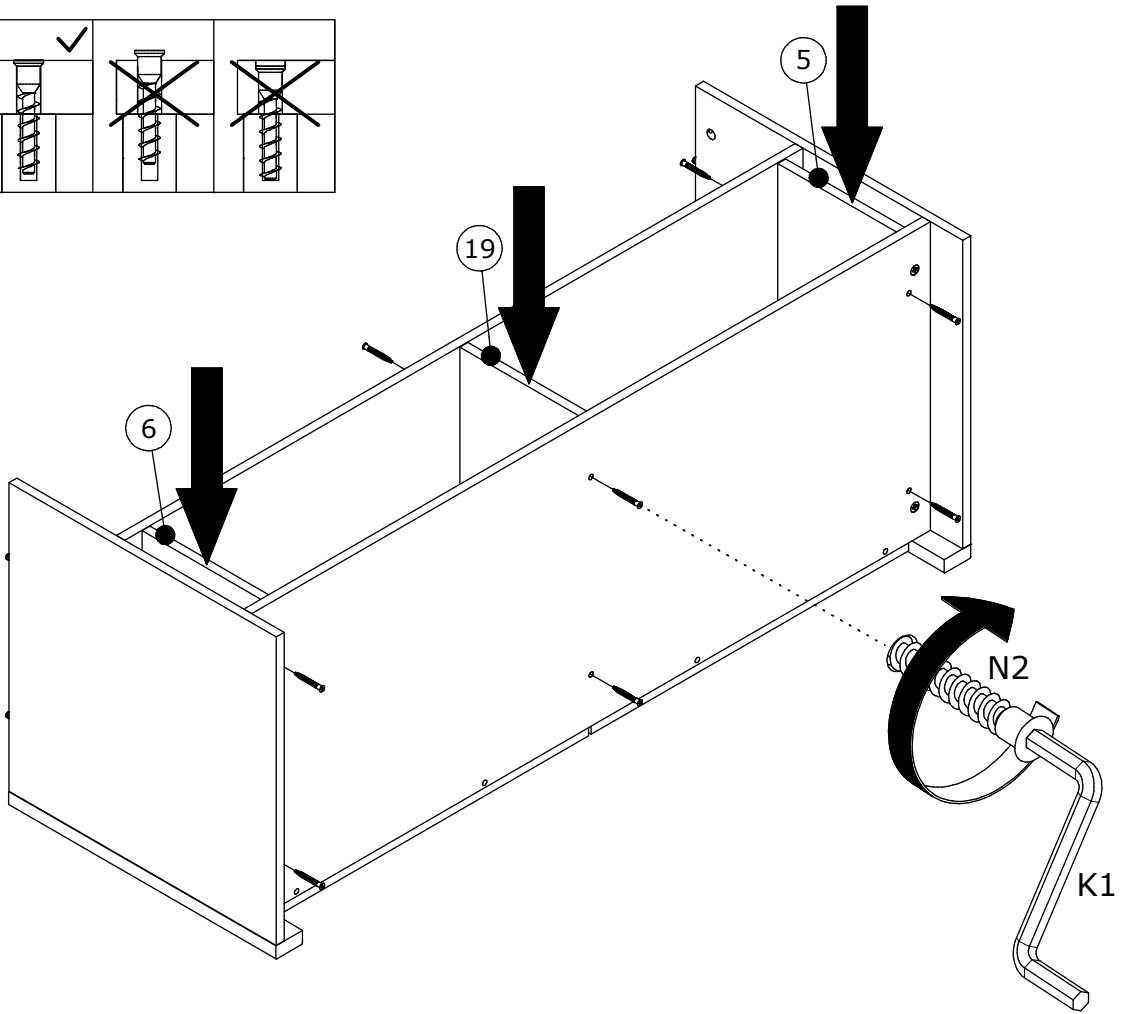
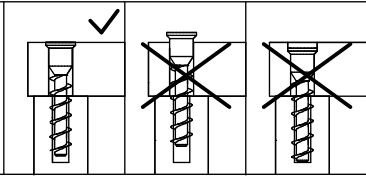


Ø6,4x50mm

**N2 x1**

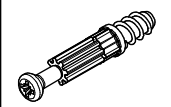


4mm HEX

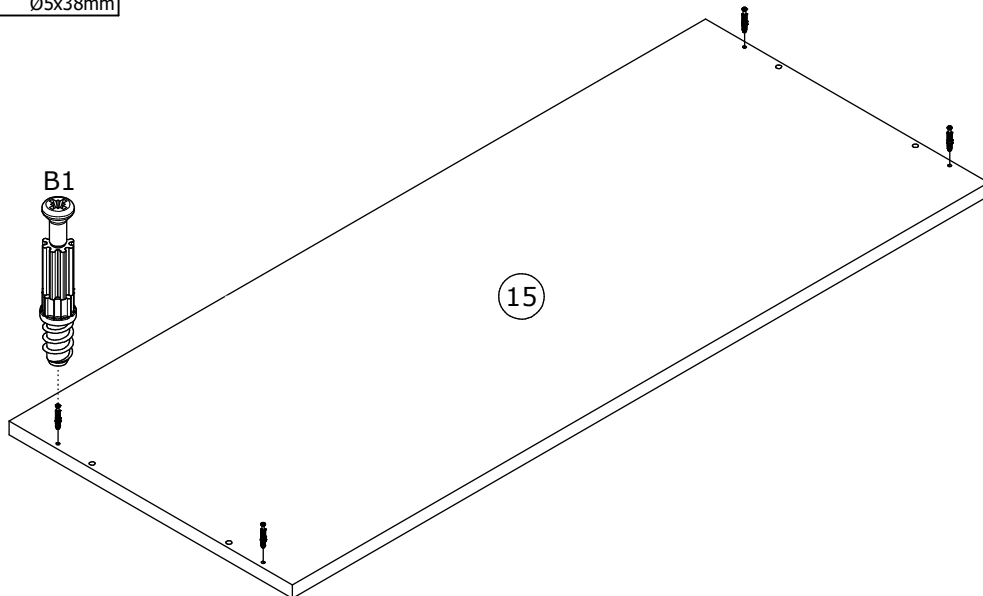
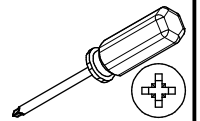


**12**

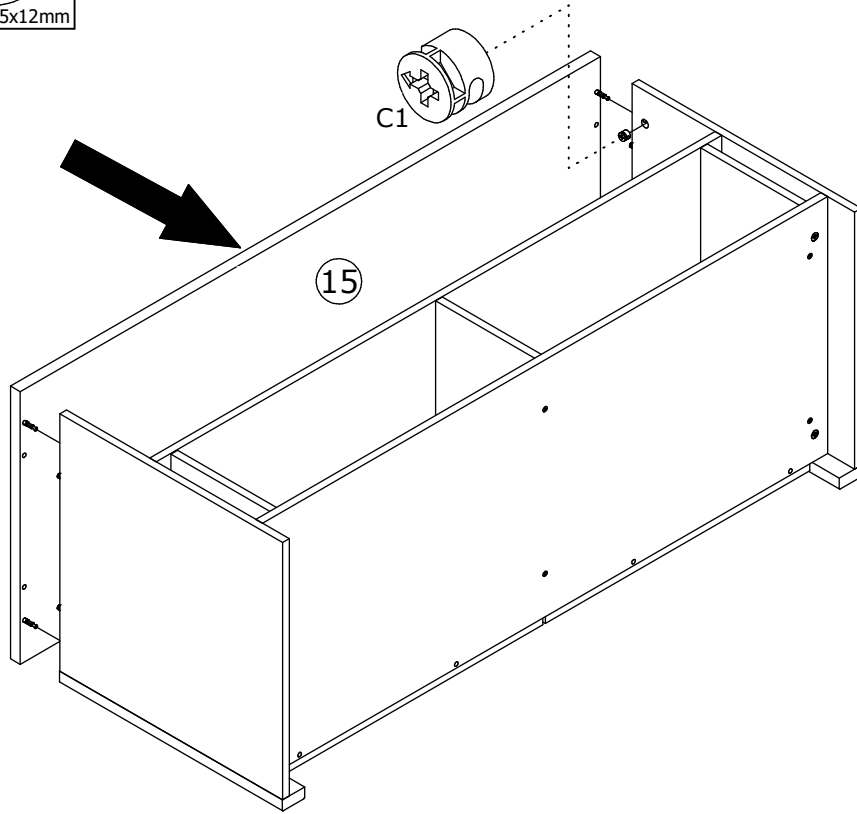
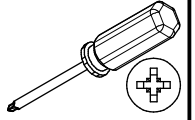
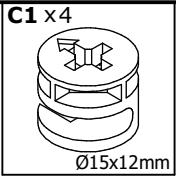
**B1 x4**



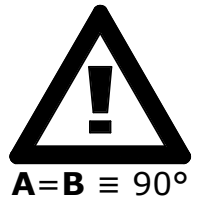
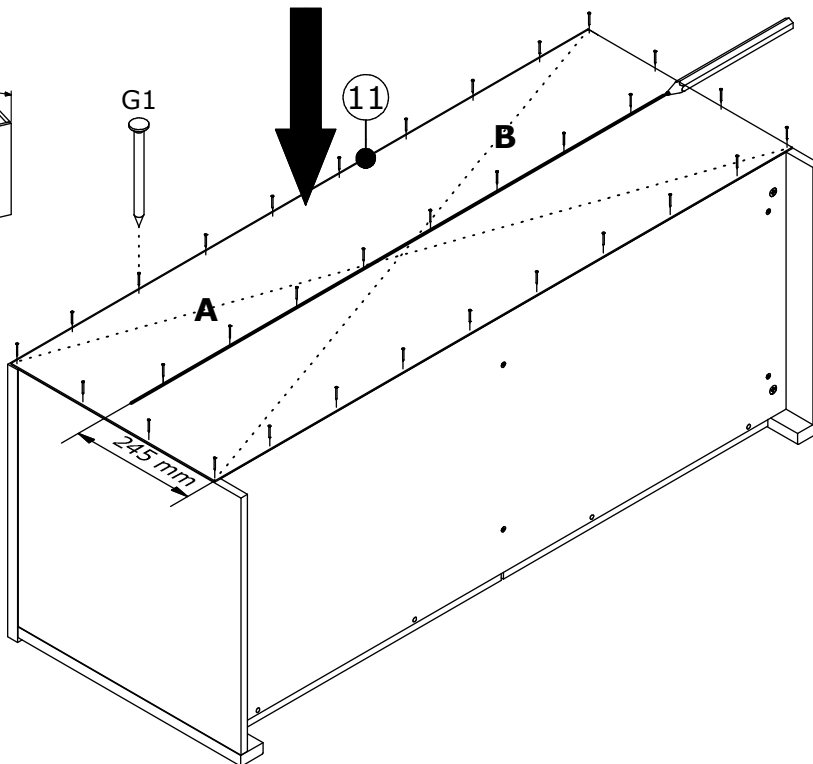
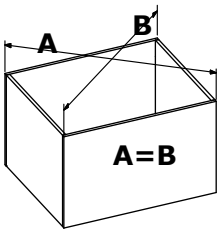
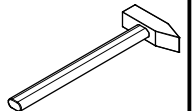
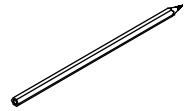
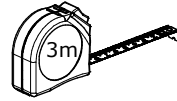
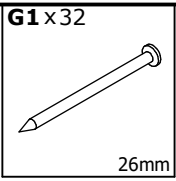
Ø5x38mm



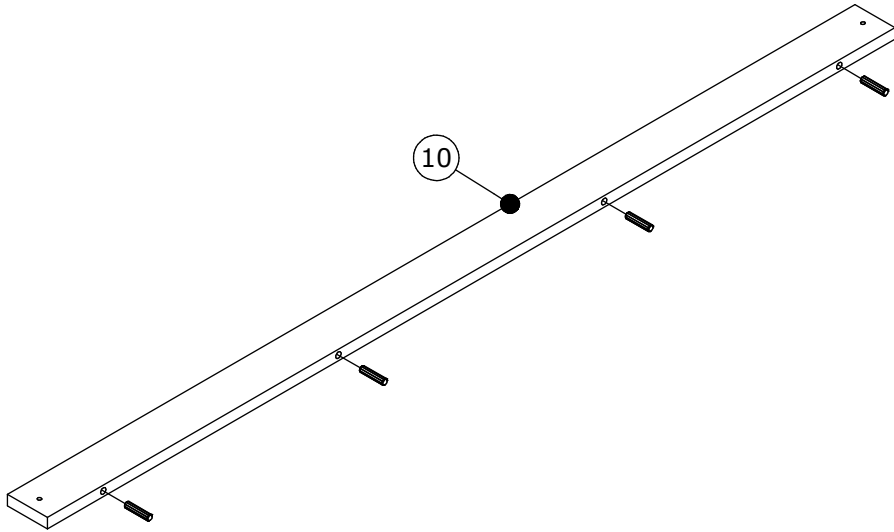
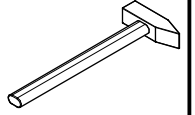
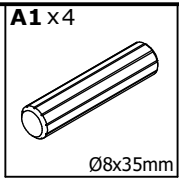
**13**



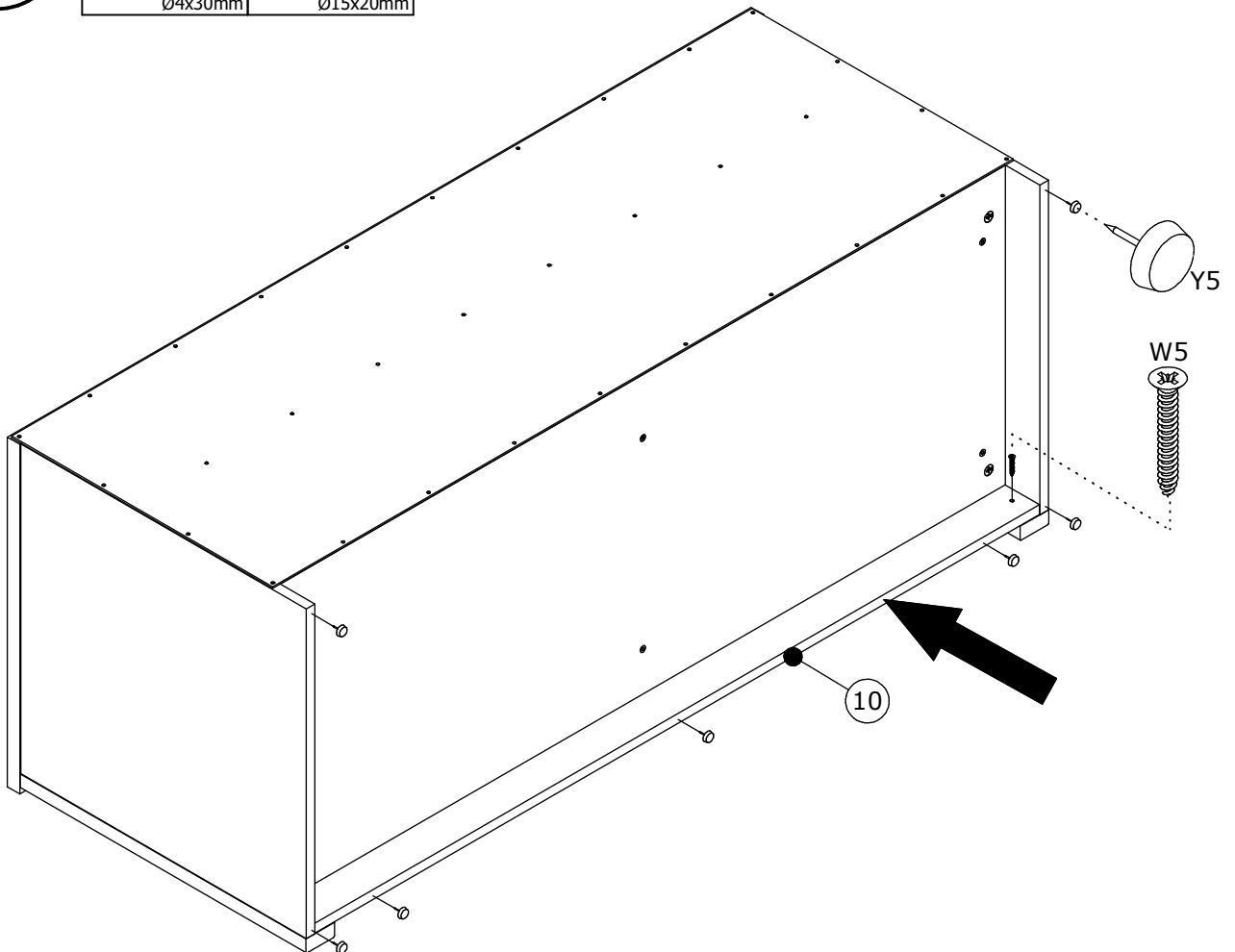
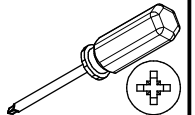
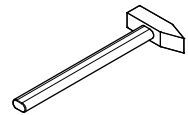
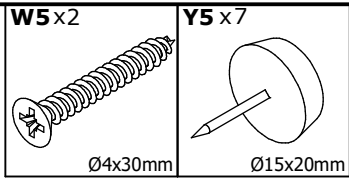
**14**



**15**

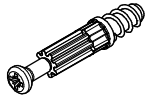


**16**

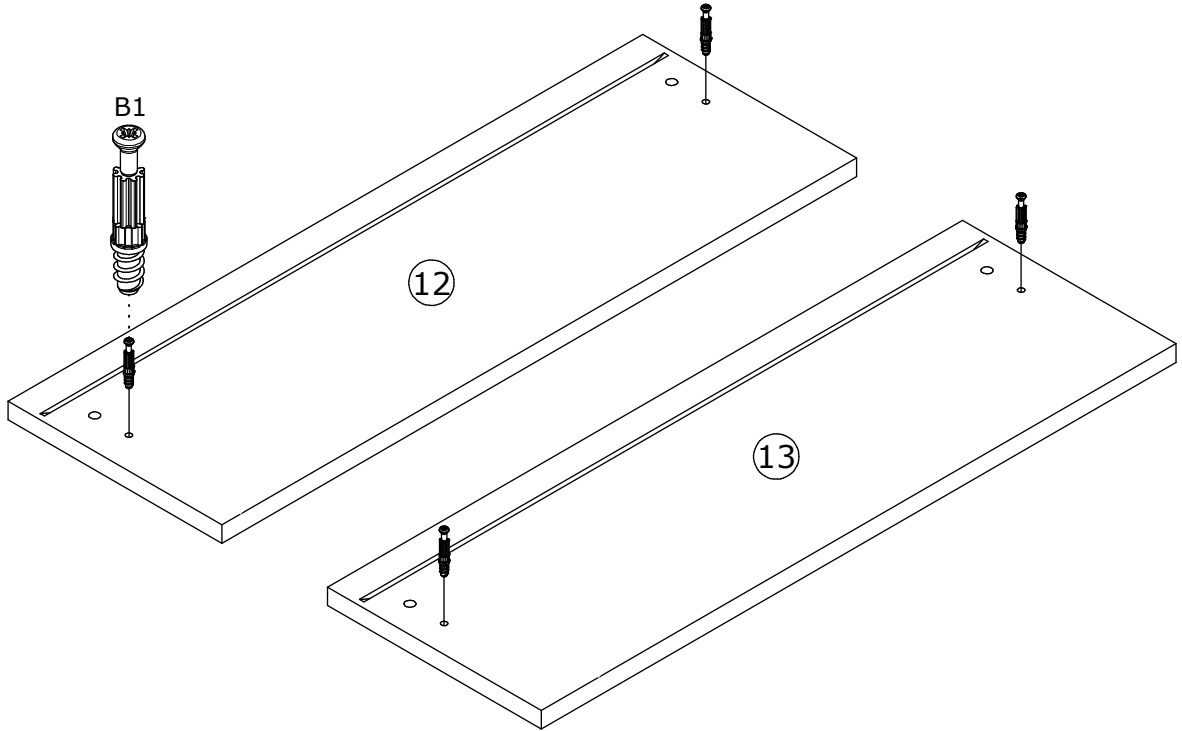
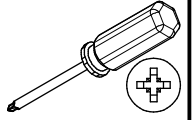


**17**

**B1 x4**

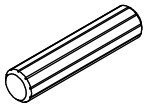


Ø5x38mm

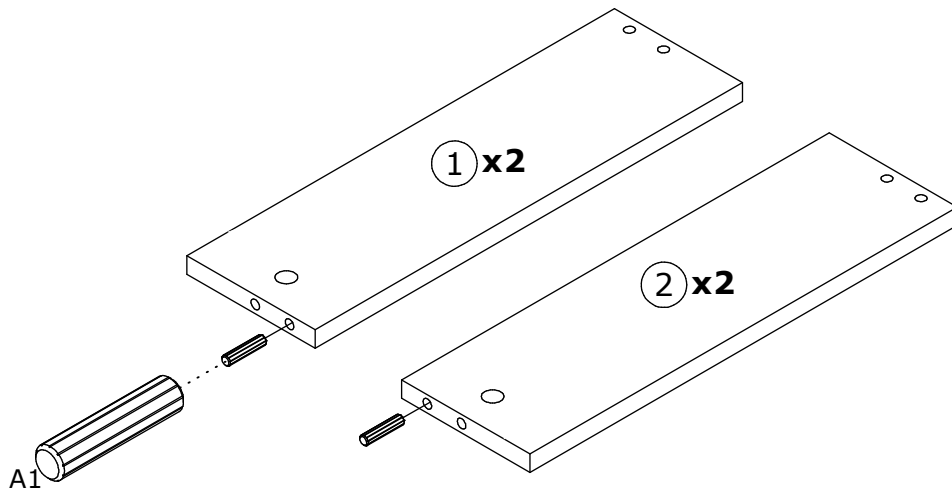
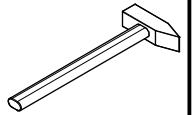


**18**

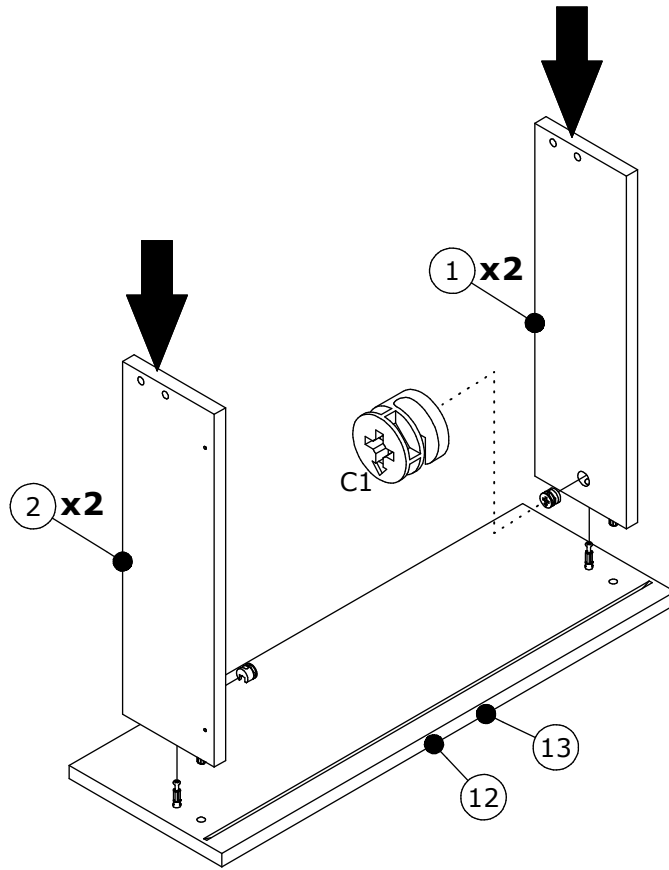
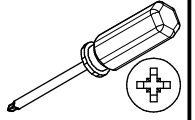
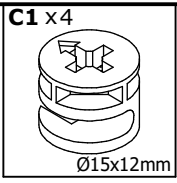
**A1 x4**



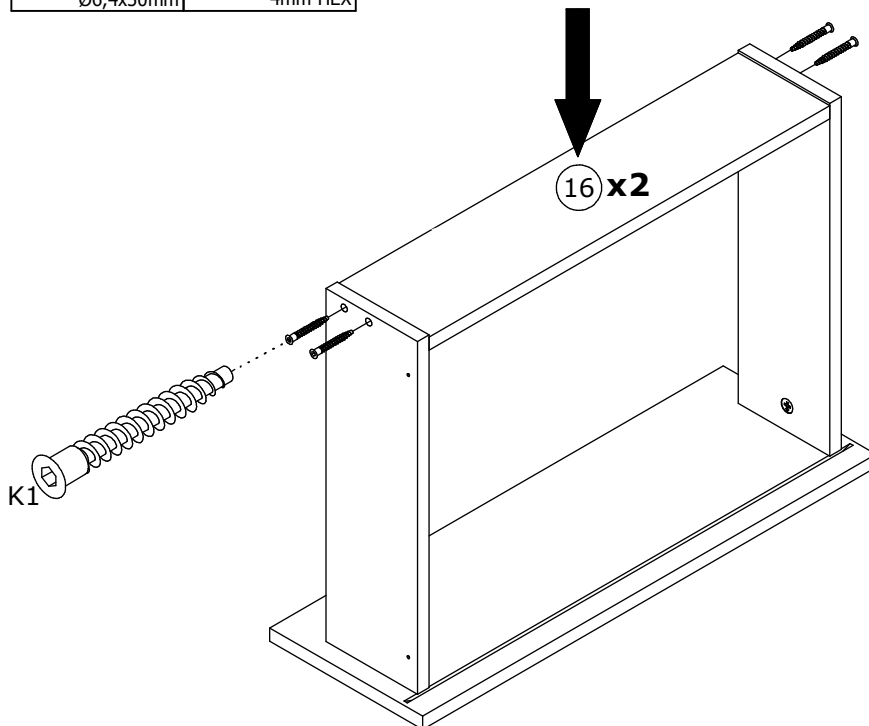
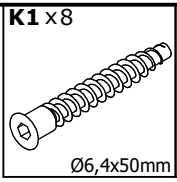
Ø8x35mm



**19**

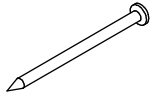


**20**

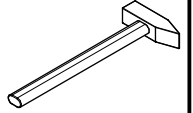
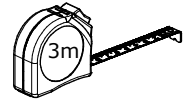


**21**

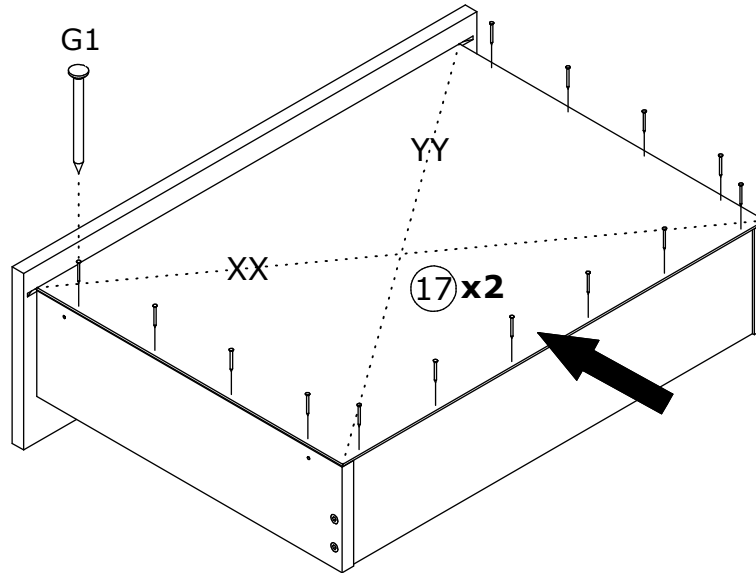
**G1x28**



26mm

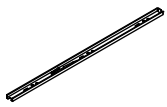


**A=B ≡ 90°**



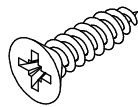
**22**

**P3-bx4**

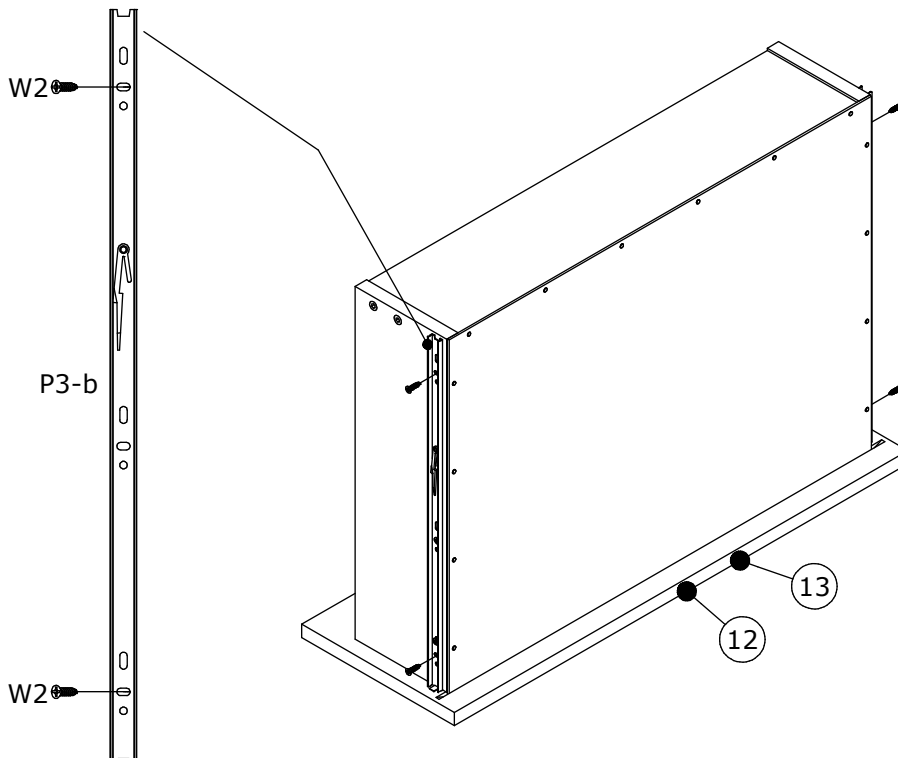
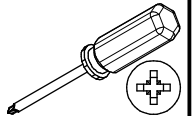


400mm

**W2x8**

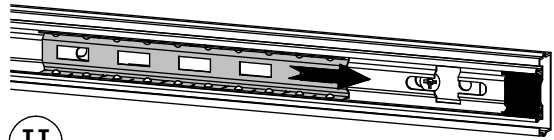


Ø3,5x16mm

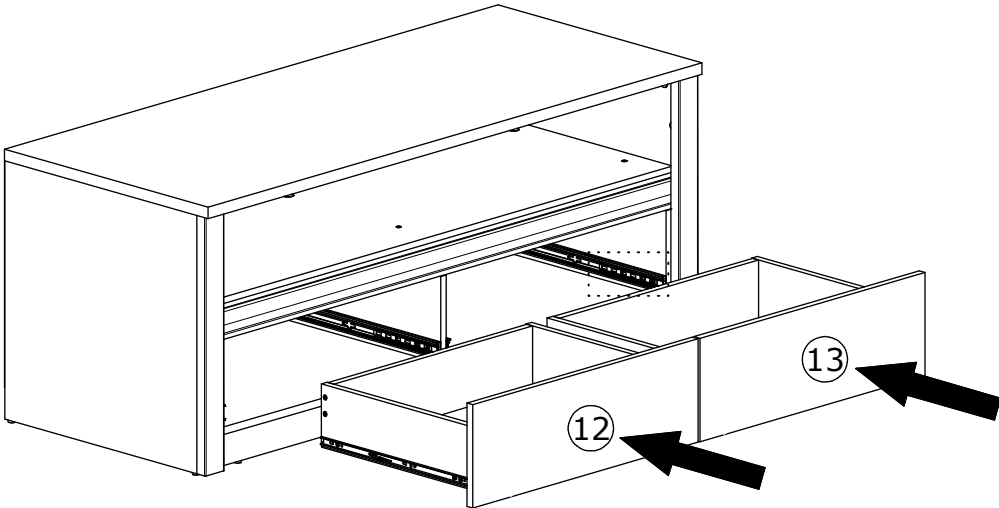
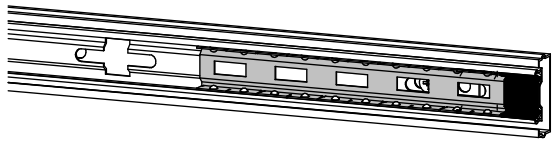


23

I

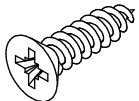


II

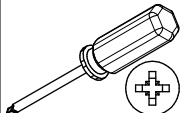


24

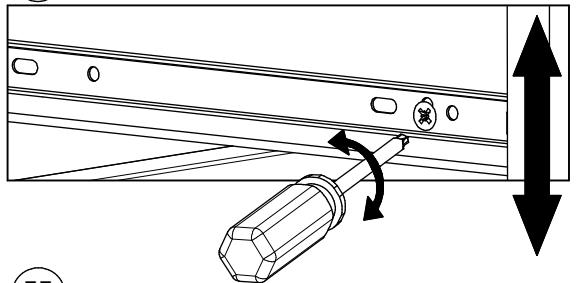
W2x4



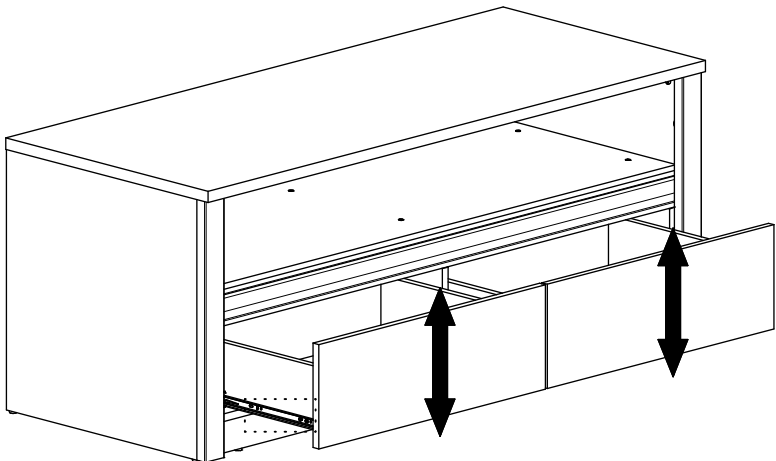
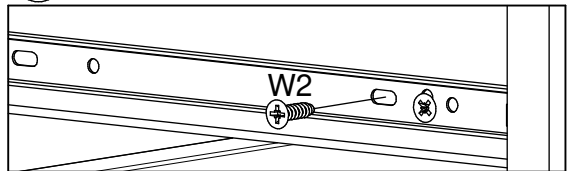
Ø3,5x16mm



I



II



25

