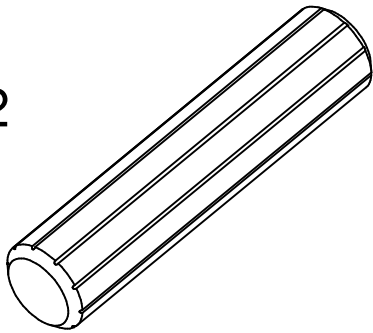
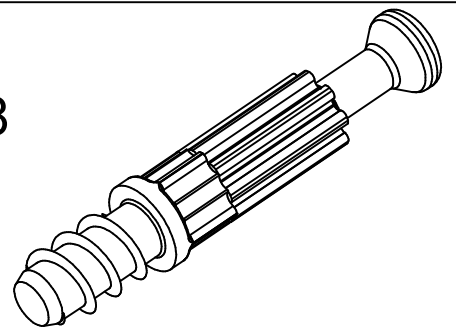


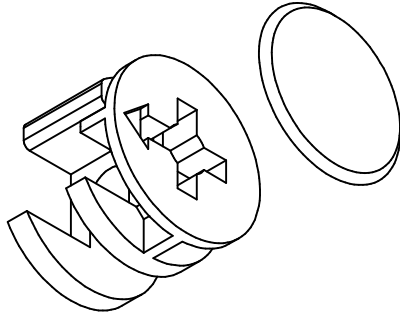
A x 12
(8x36)



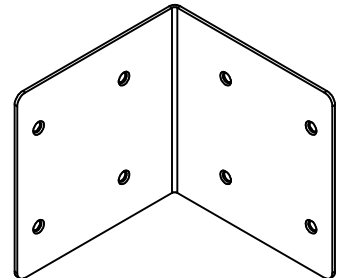
B x 8



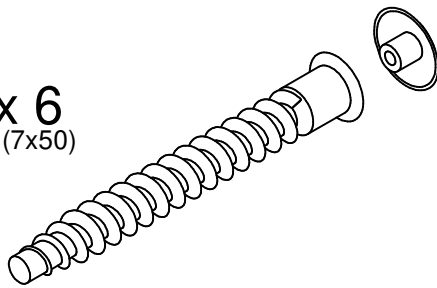
C x 8
(15x12)



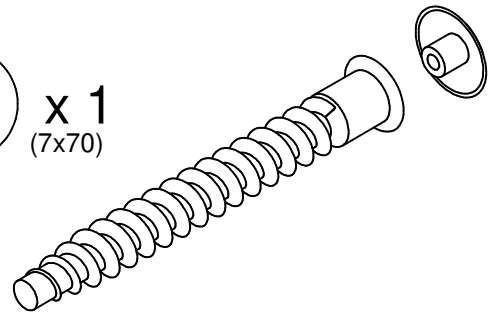
D x 4
(60x60)



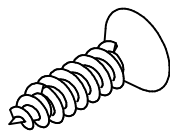
E x 6
(7x50)



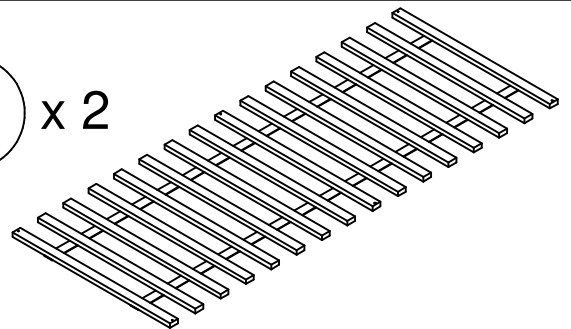
F x 1
(7x70)



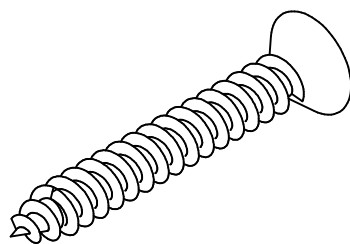
G x 44
(3,5x16)



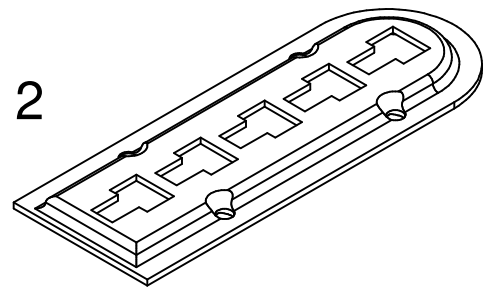
H x 2



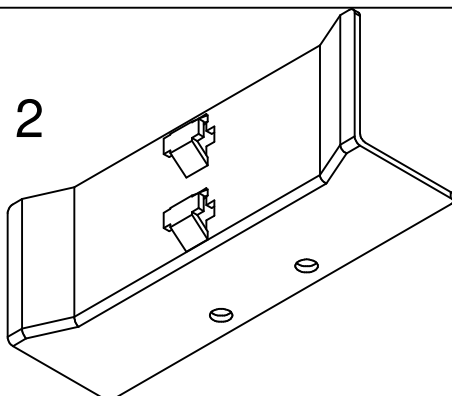
I x 12
(4x30)



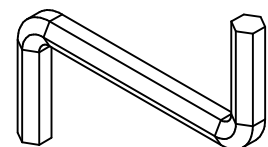
J x 2



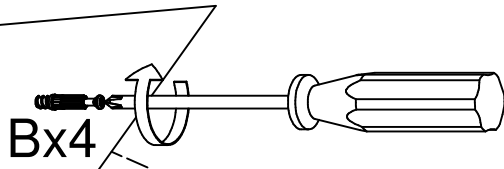
K x 2



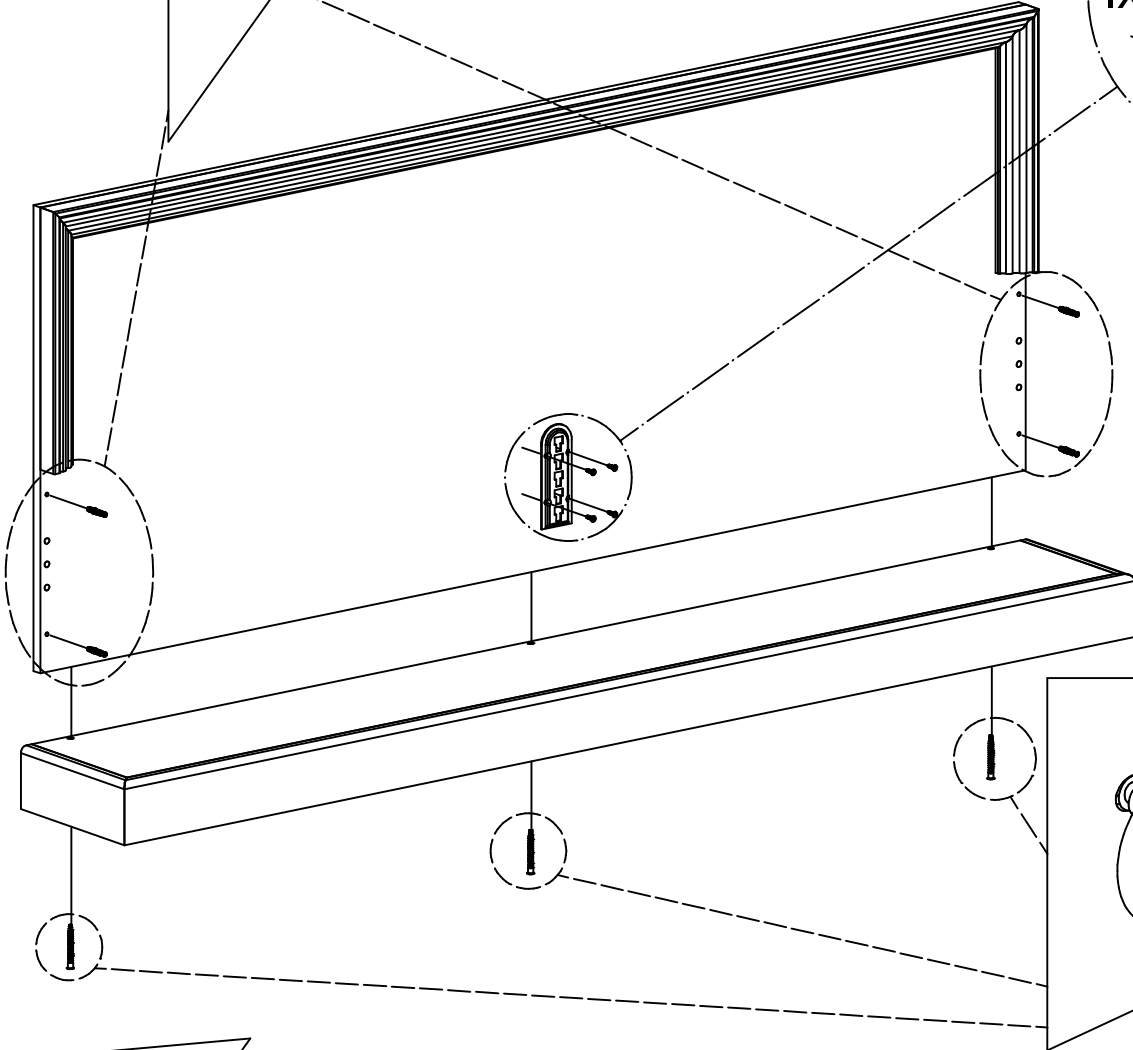
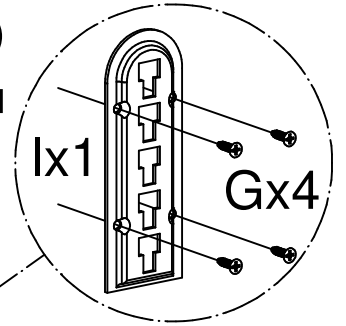
L x 1



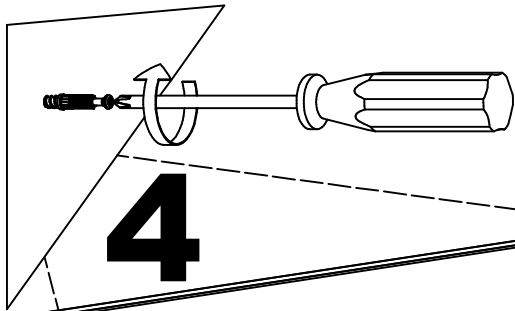
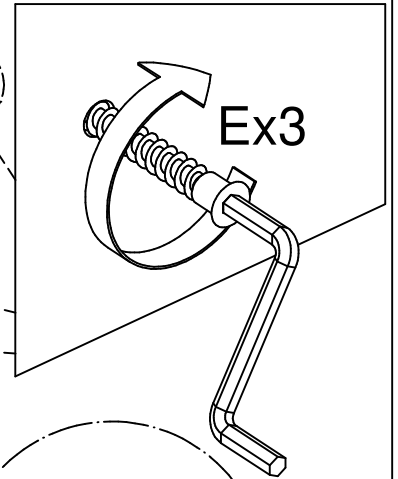
1



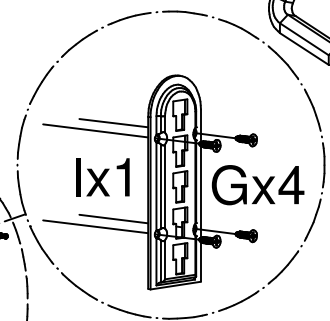
2



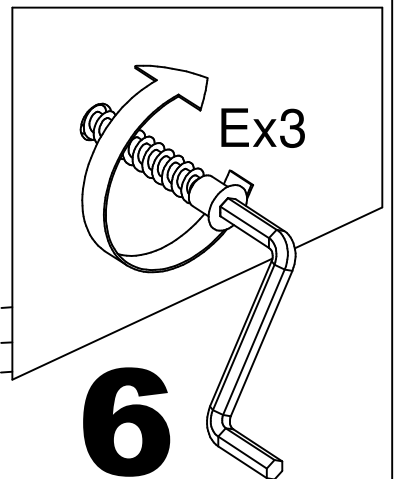
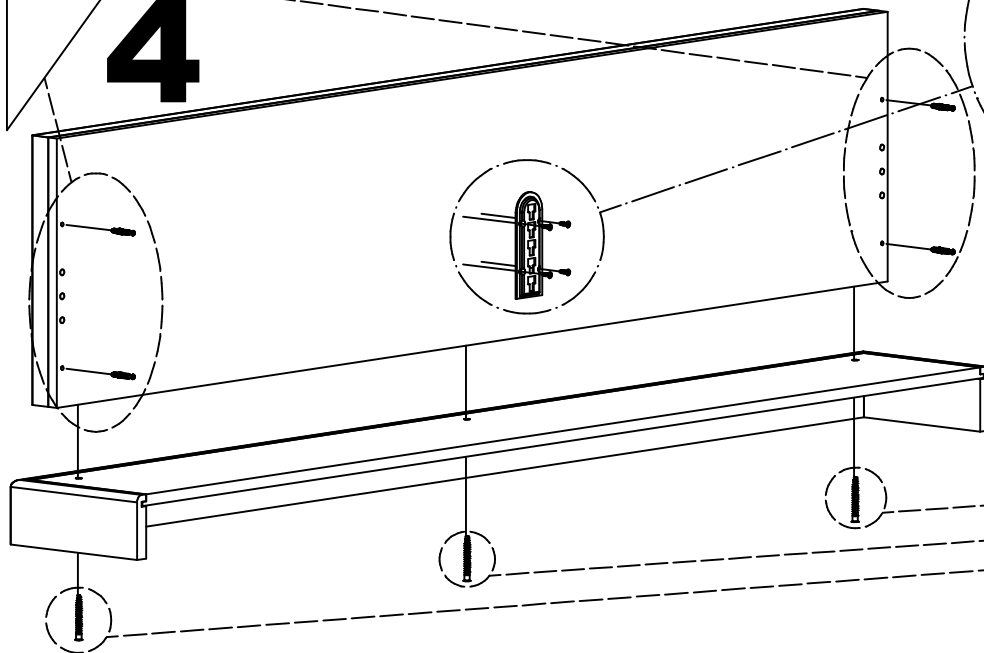
3



4

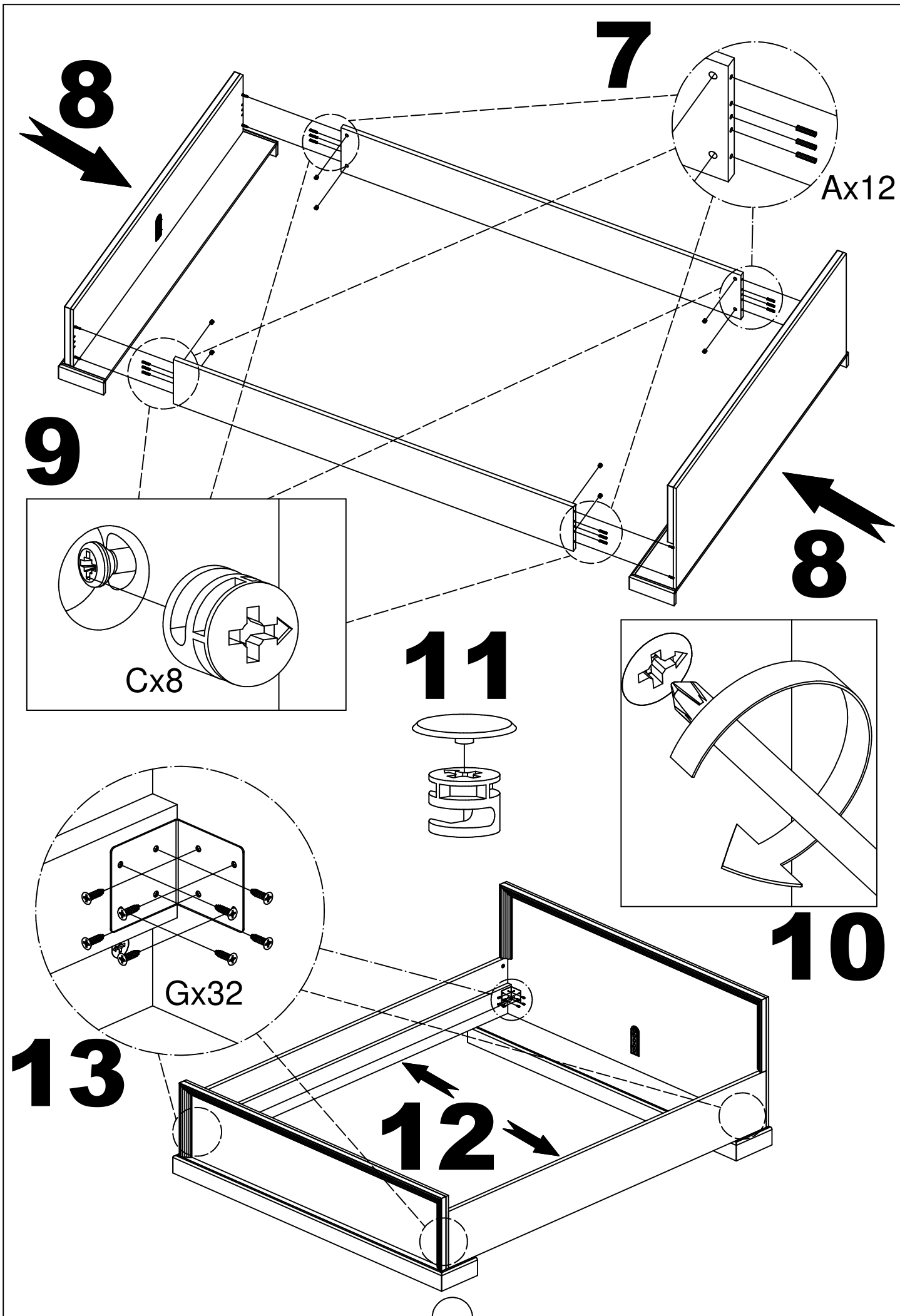


5



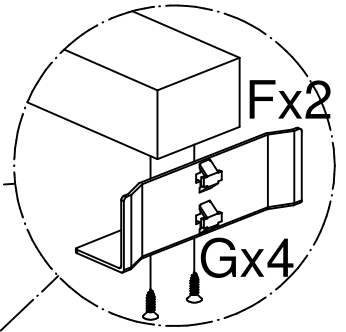
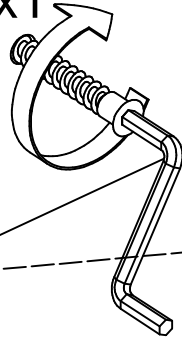
6



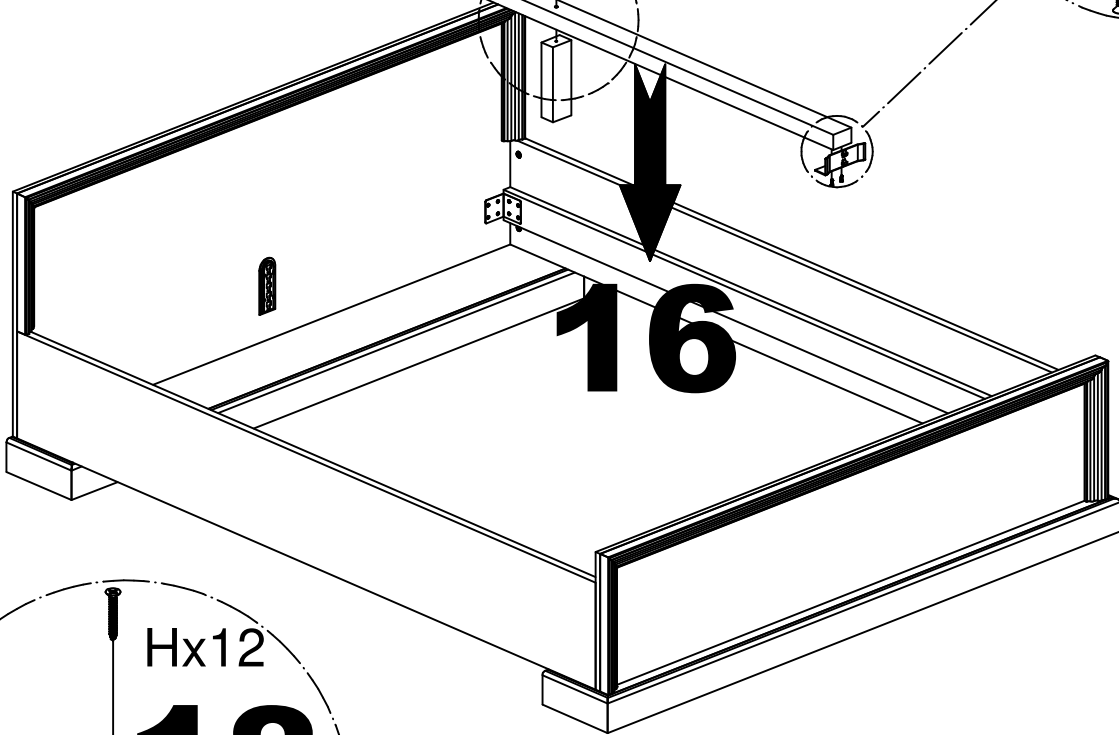


15

Fx1



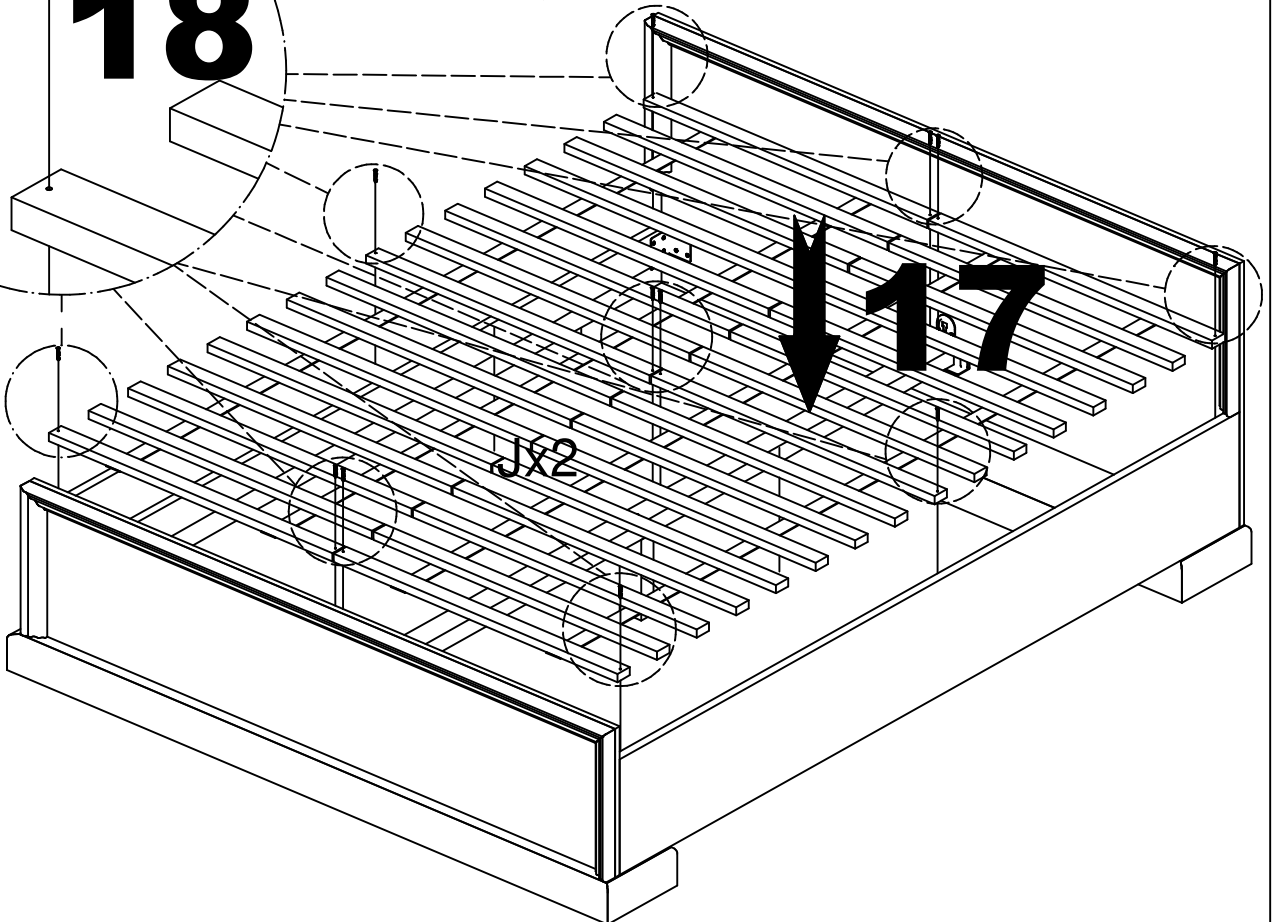
14



16

Hx12

18



17

Jx2

