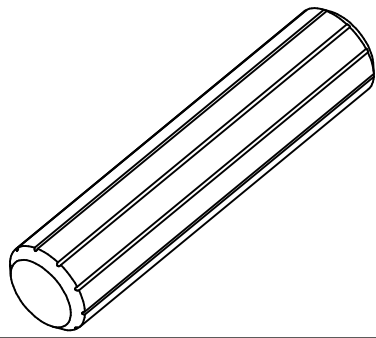
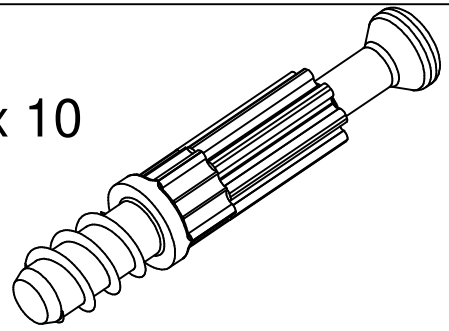


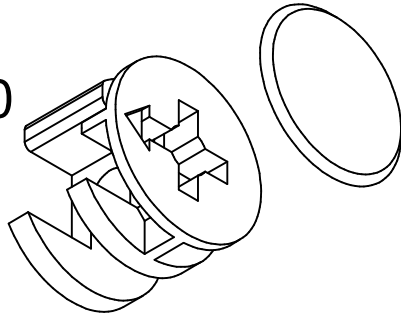
A x 10
(8x36)



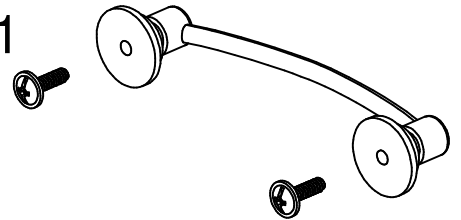
B x 10



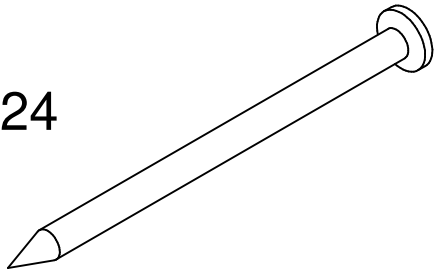
C x 10
(15x12)



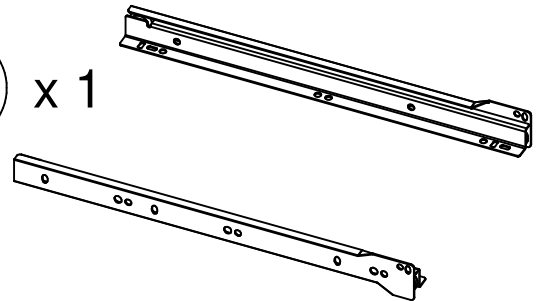
D x 1



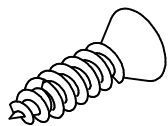
E x 24



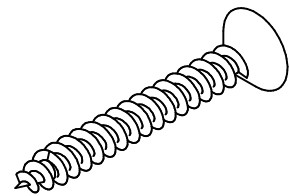
F x 1



G x 4
(3,5x16)



H x 4
(4x25)



I x 1

