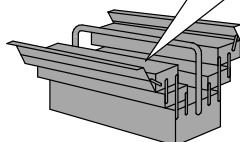
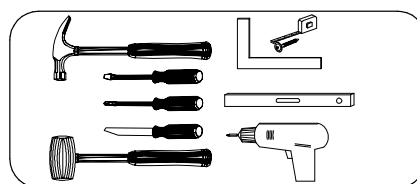
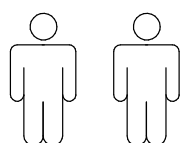
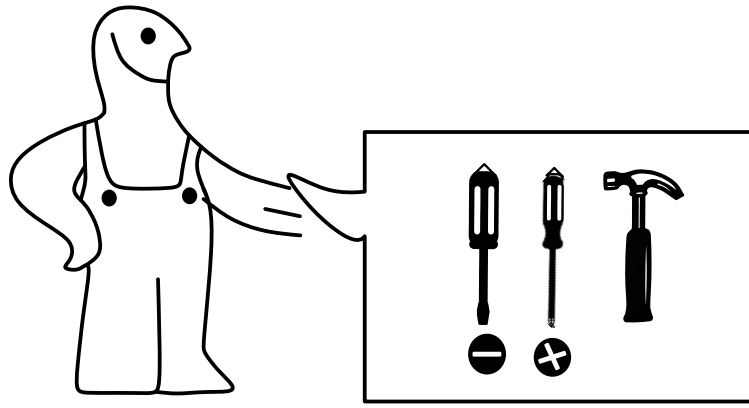


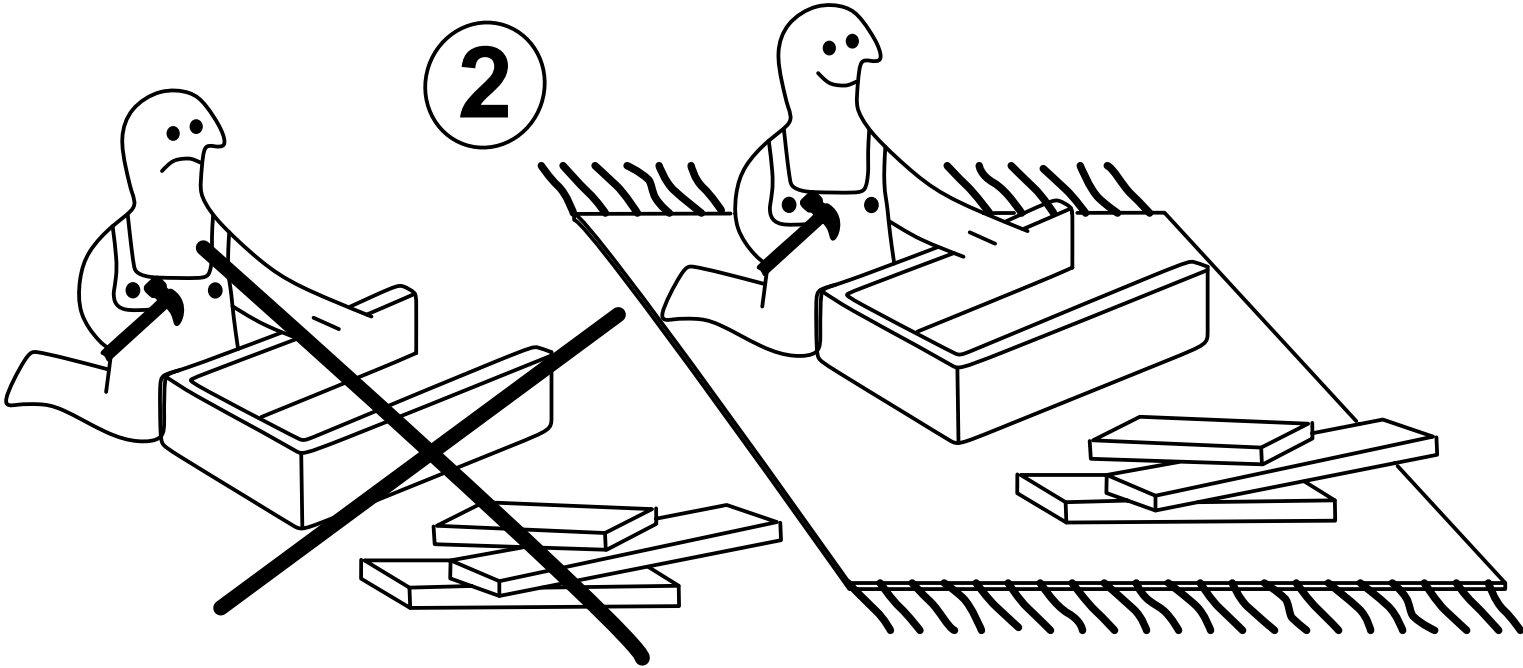
T0036  
16-IZ-15



1



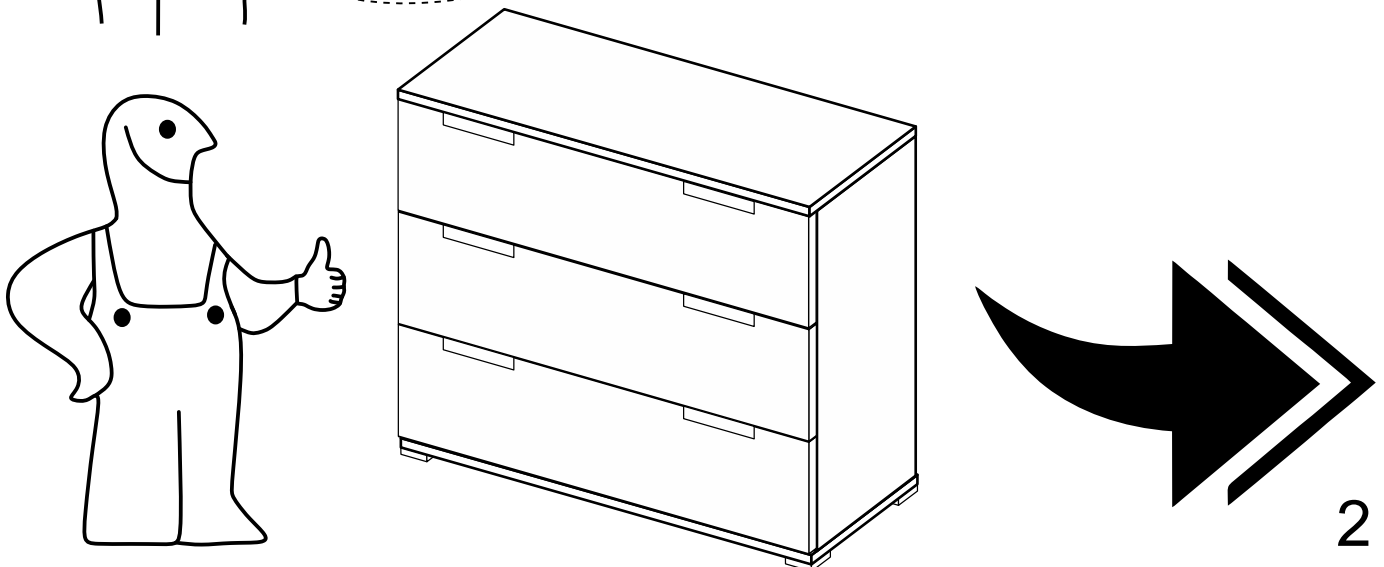
2

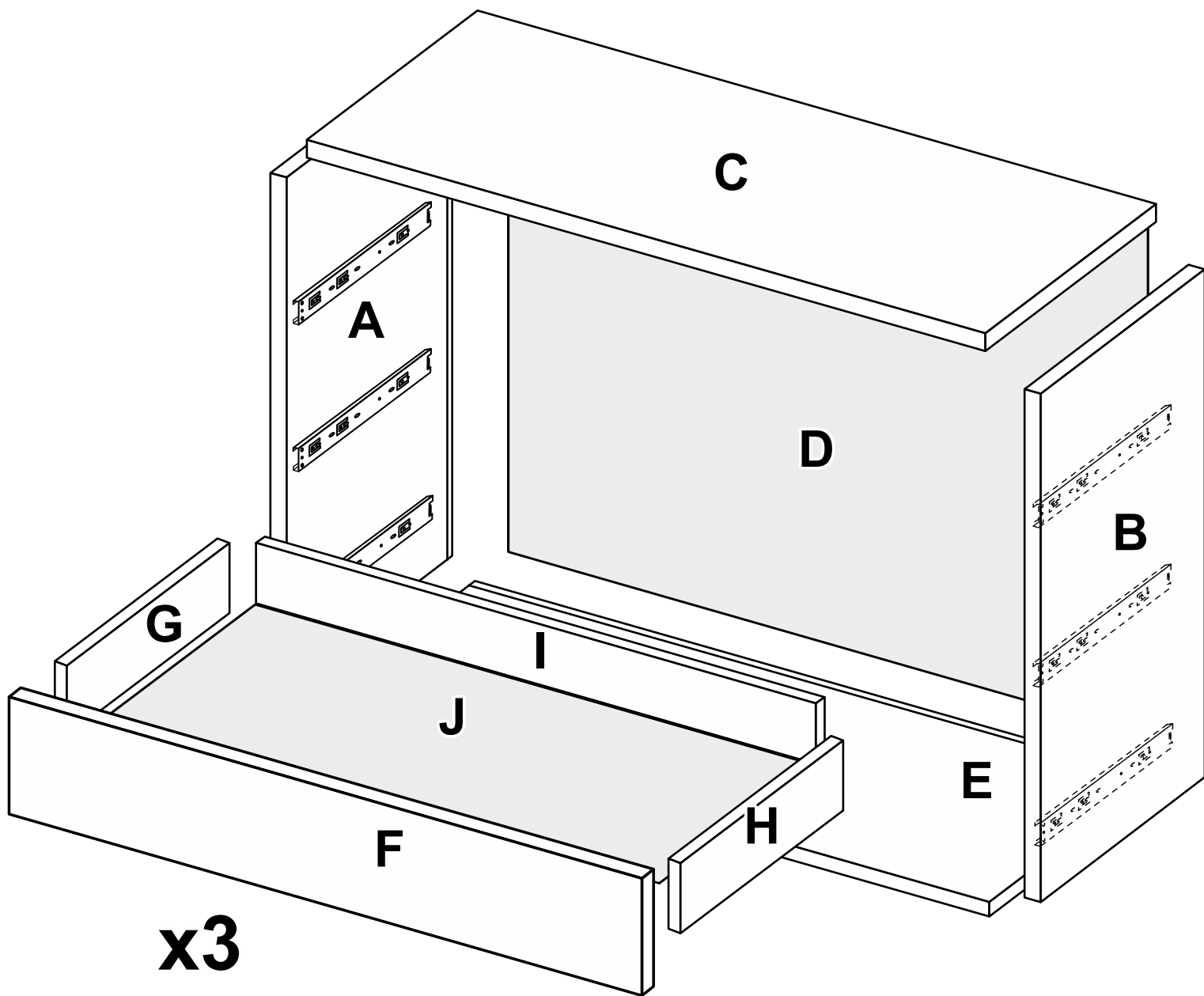


3

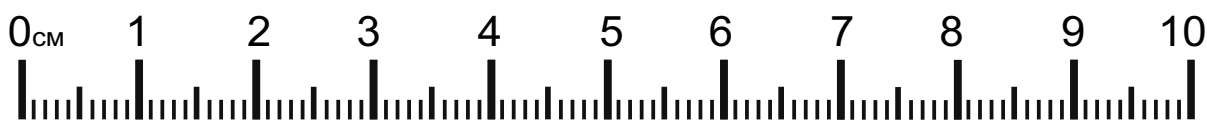
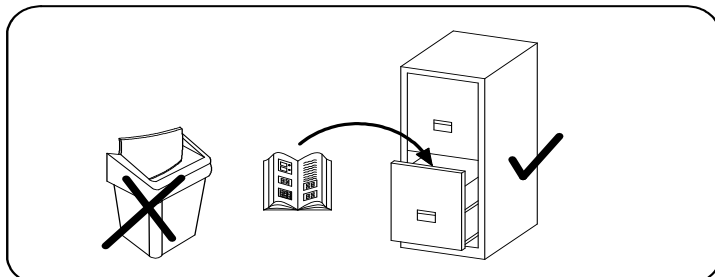
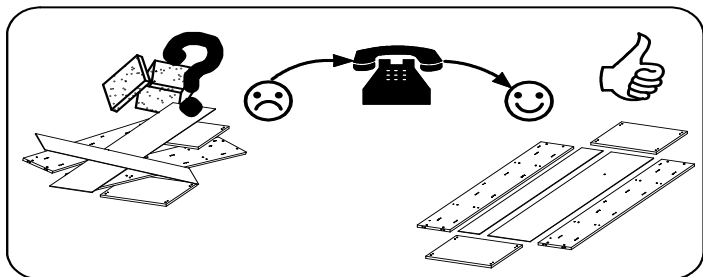
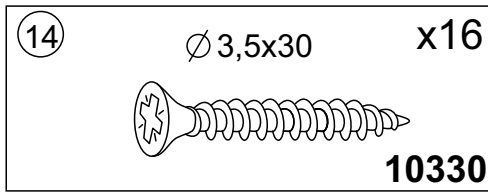
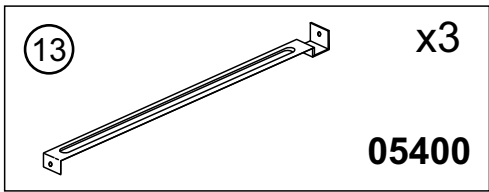
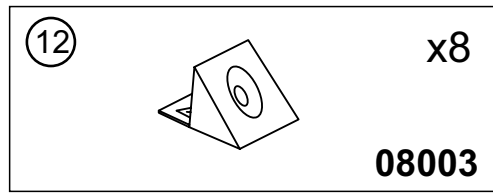
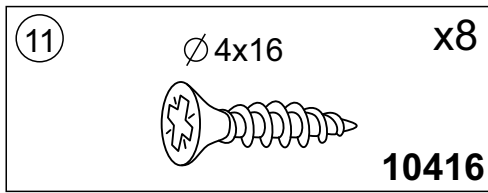
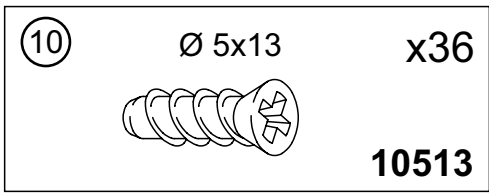
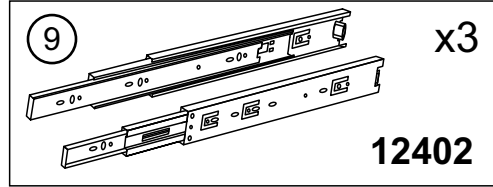
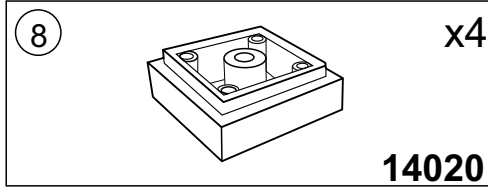
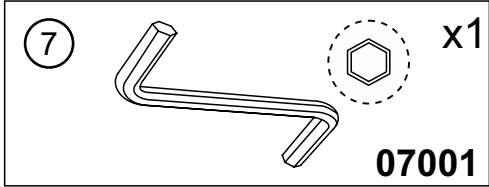
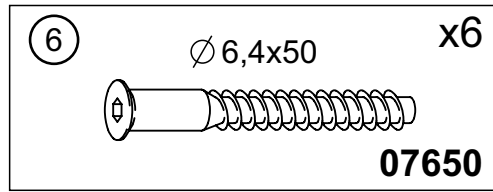
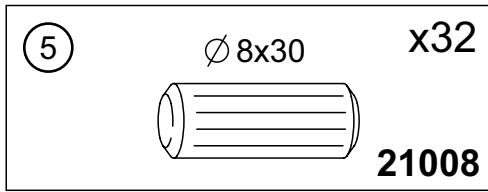
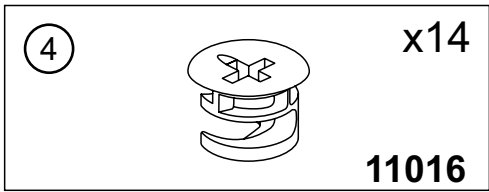
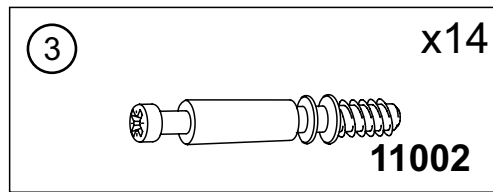
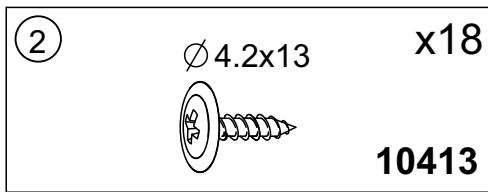
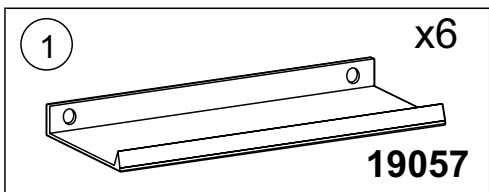


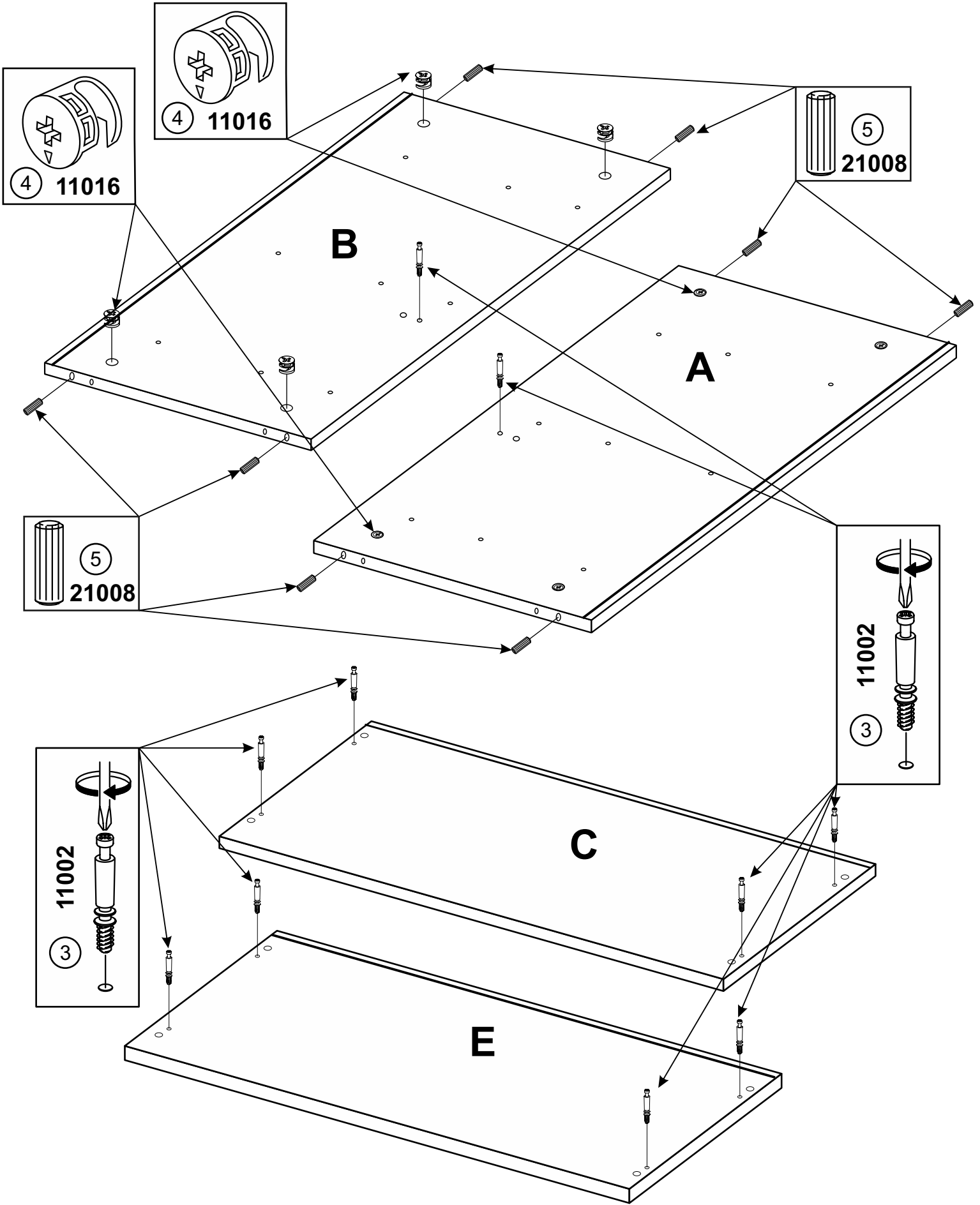
4

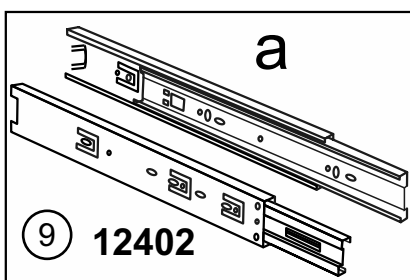
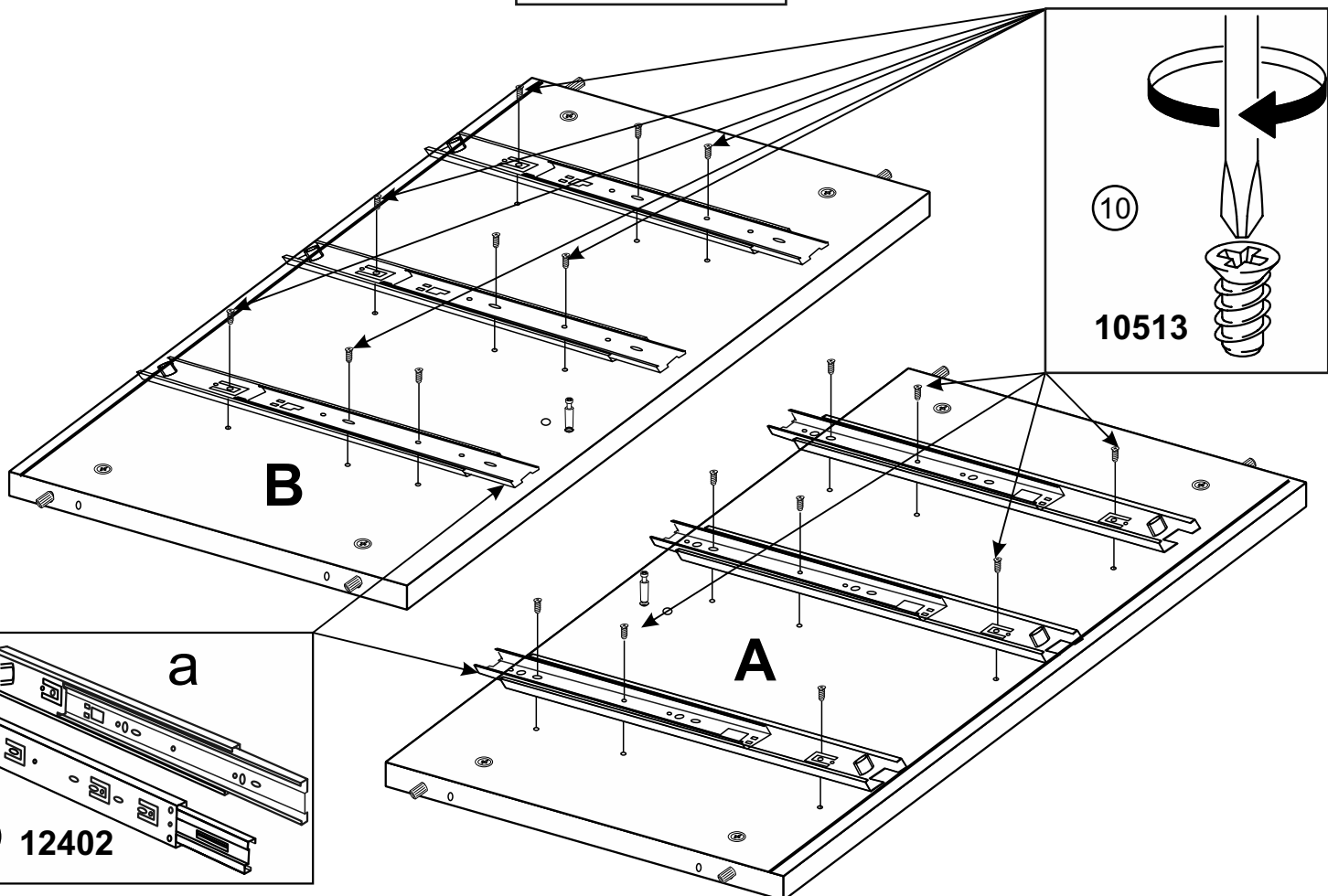
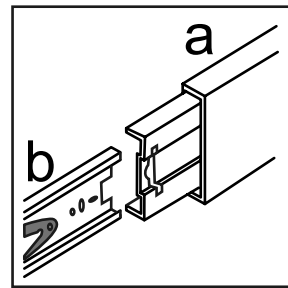
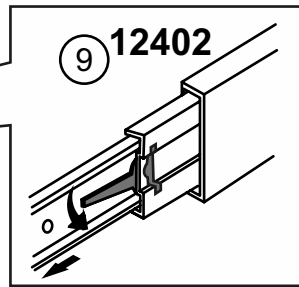
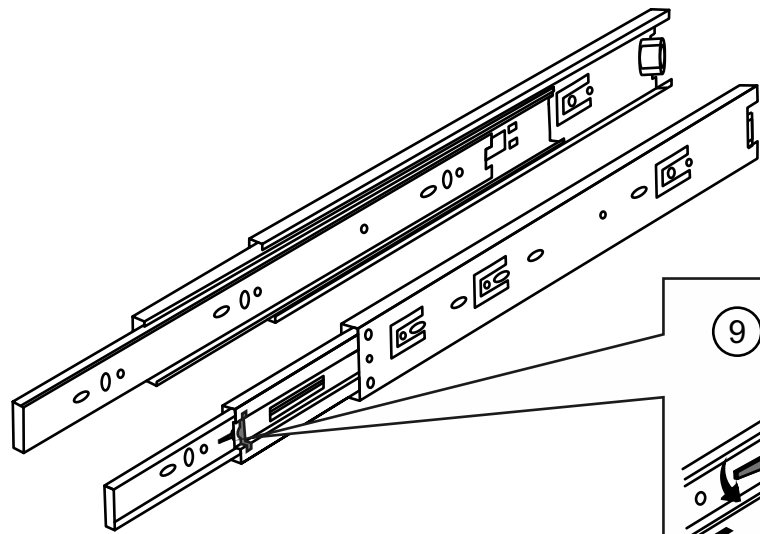
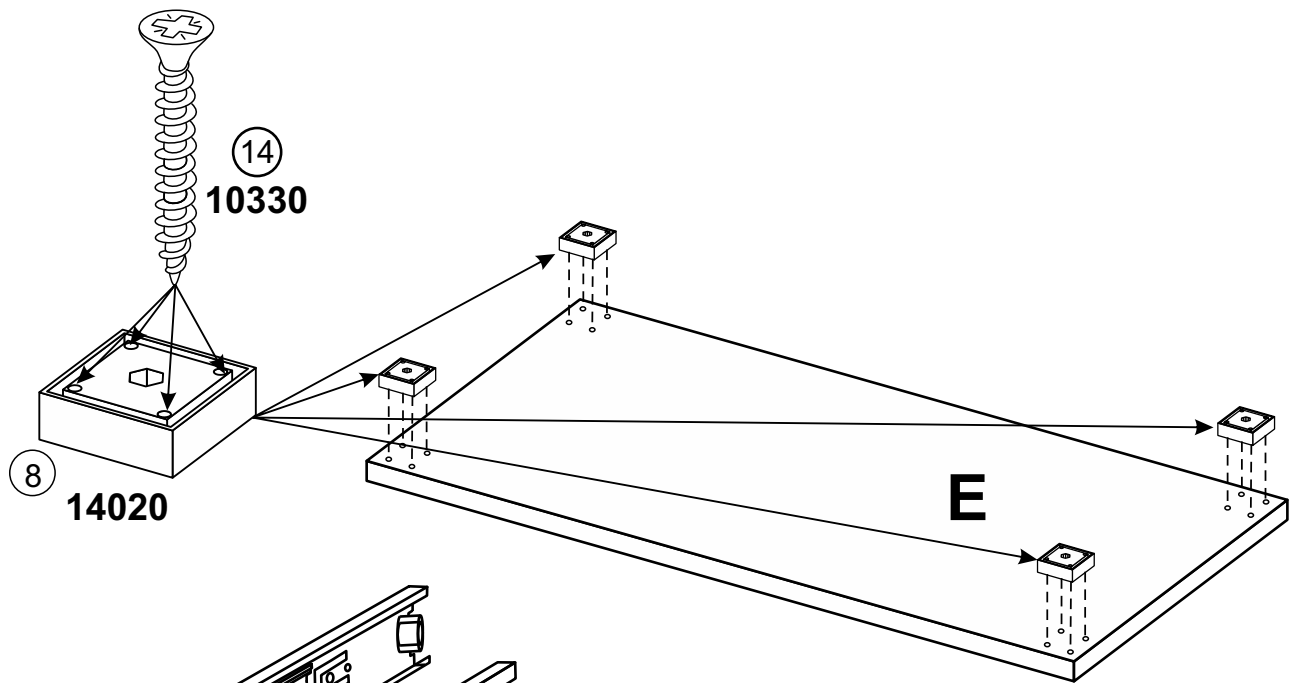


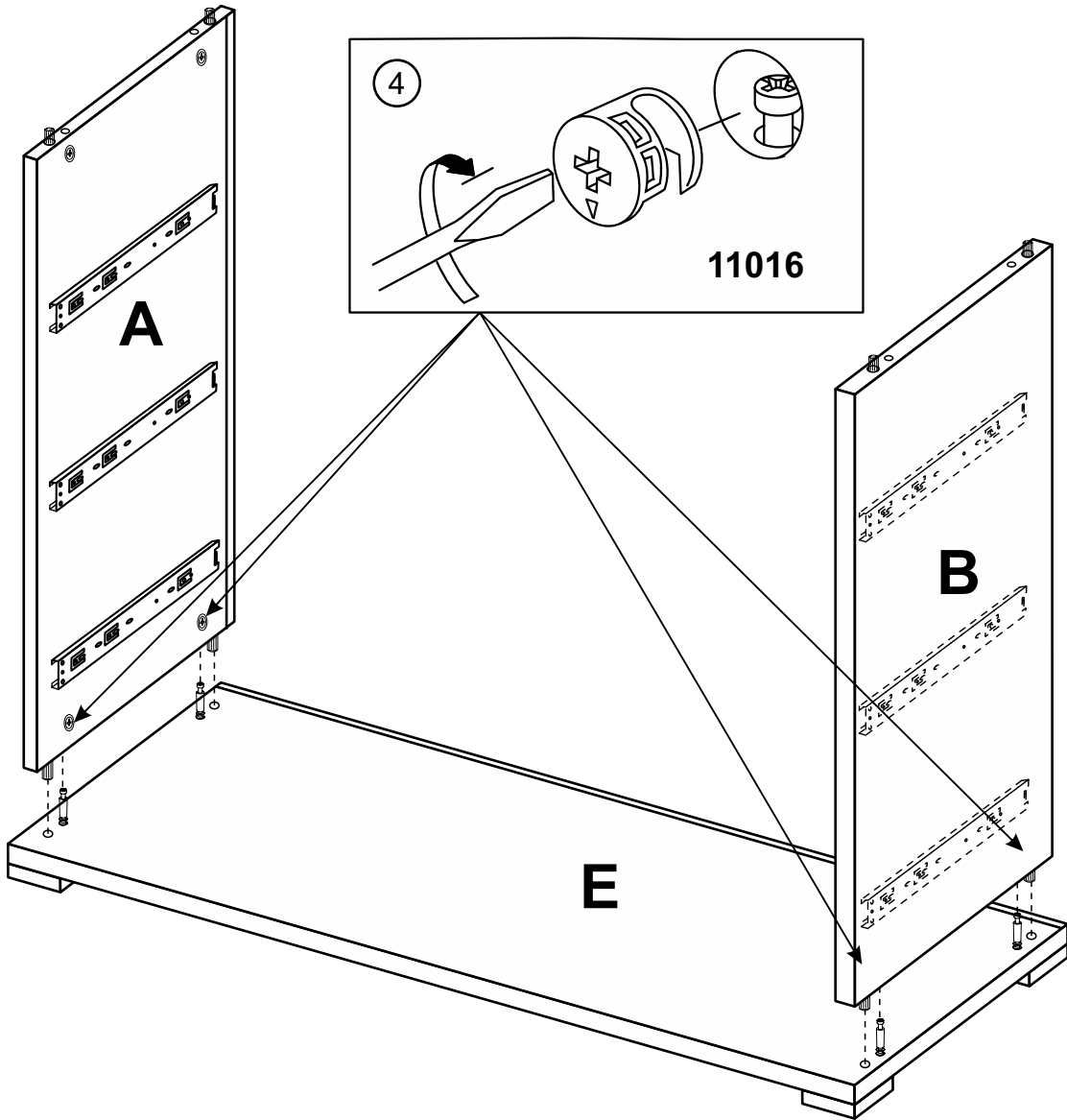


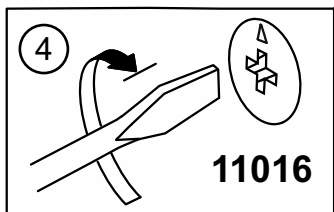
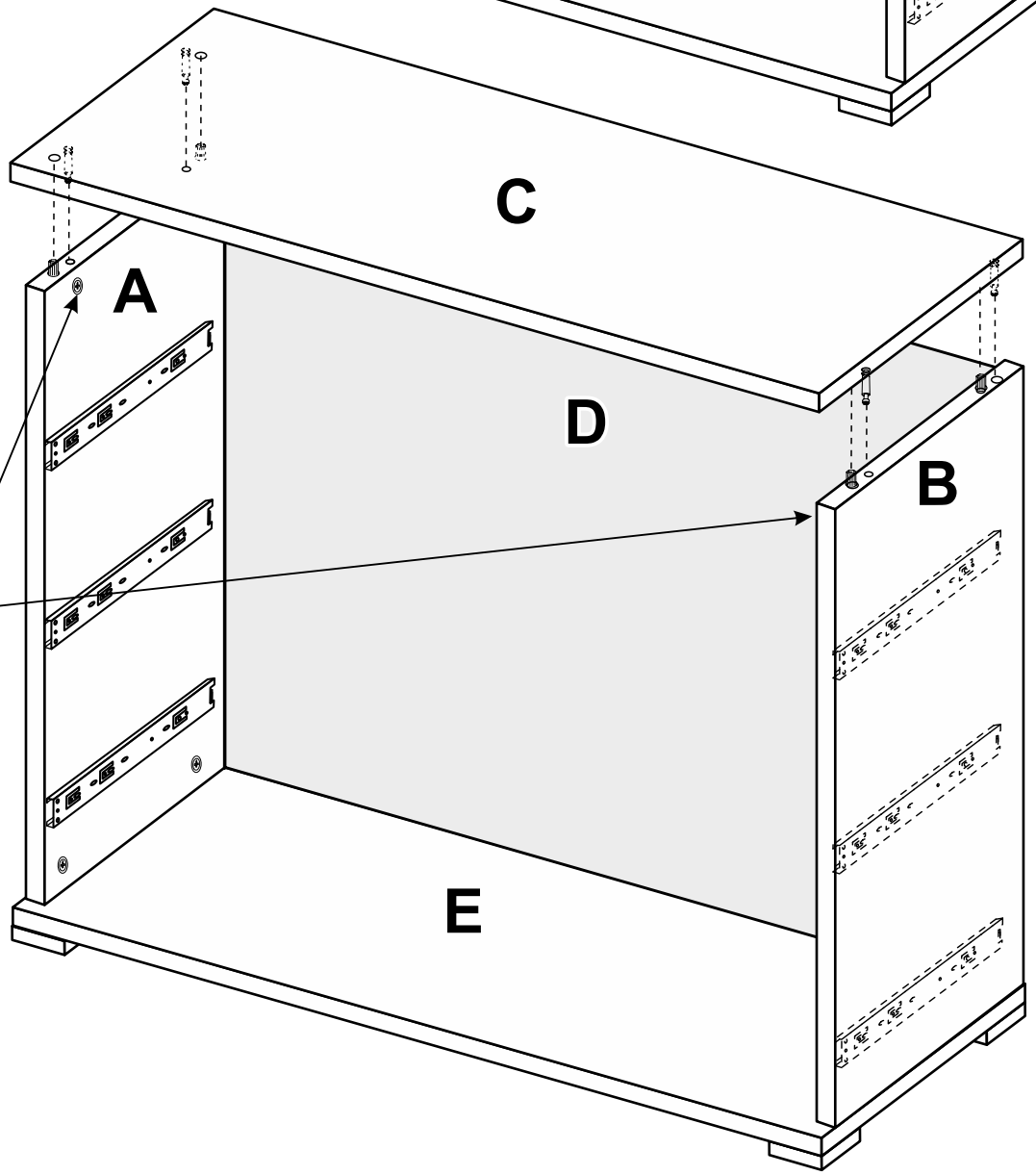
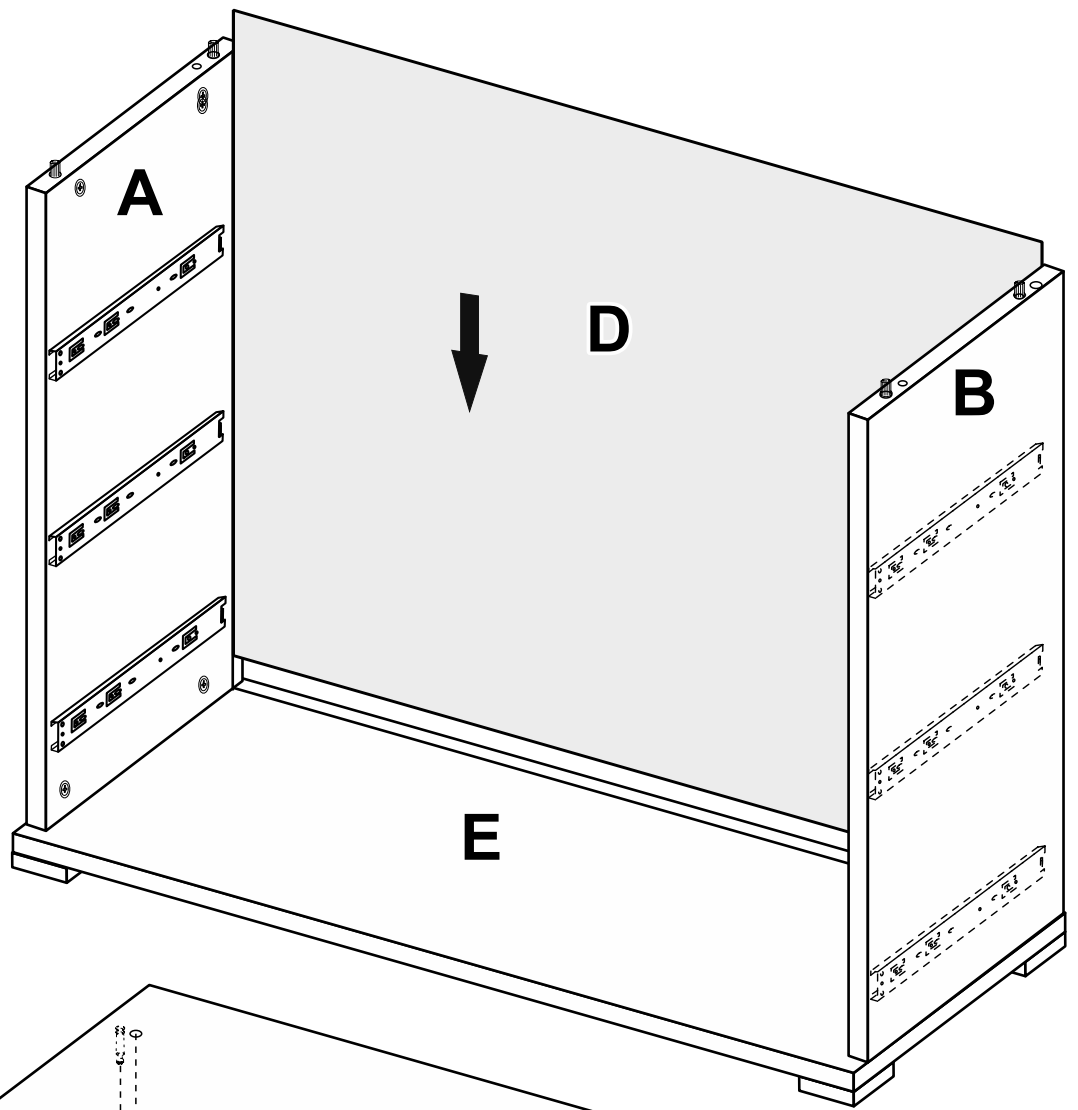
<b>A</b>	-	743	x	440	x	16	-	x	<b>1</b>
<b>B</b>	-	743	x	440	x	16	-	x	<b>1</b>
<b>C</b>	-	1006	x	462	x	22	-	x	<b>1</b>
<b>D</b>	-	982	x	754	x	3	-	x	<b>1</b>
<b>E</b>	-	1006	x	460	x	16	-	x	<b>1</b>
<b>F</b>	-	1000	x	243	x	16	-	x	<b>3</b>
<b>G</b>	-	400	x	130	x	16	-	x	<b>3</b>
<b>H</b>	-	400	x	130	x	16	-	x	<b>3</b>
<b>I</b>	-	914	x	130	x	16	-	x	<b>3</b>
<b>J</b>	-	926	x	396	x	3	-	x	<b>3</b>



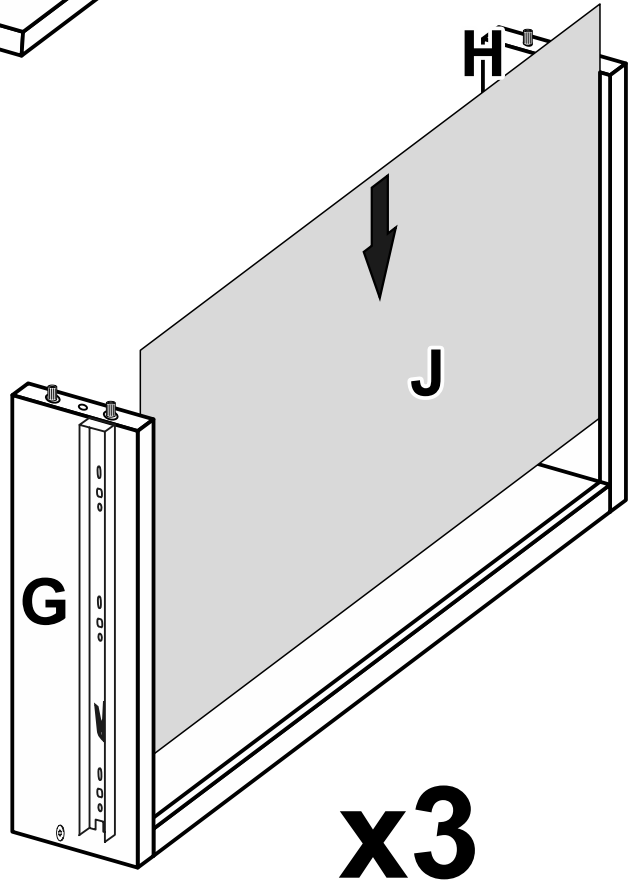
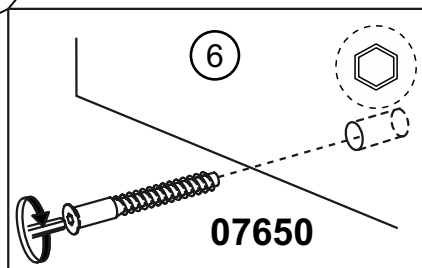
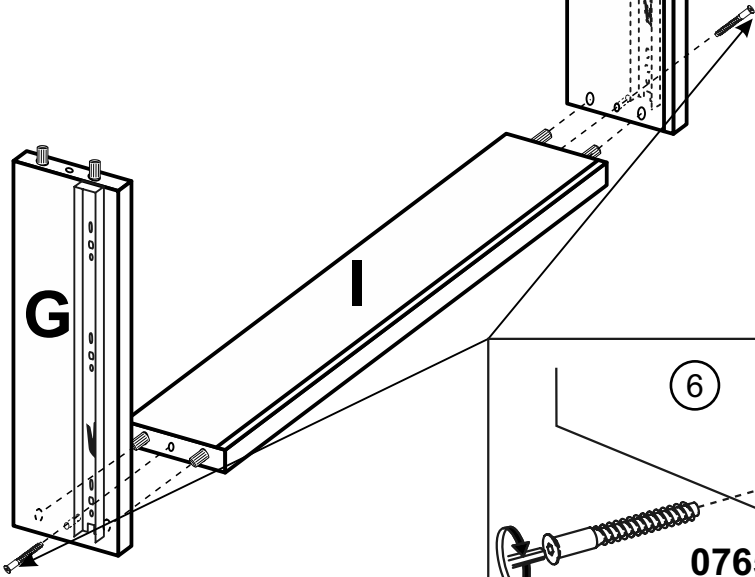
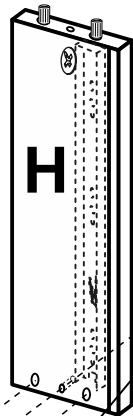
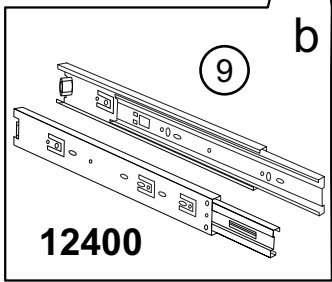
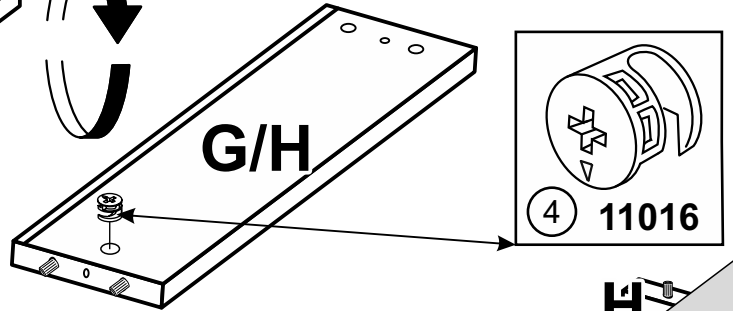
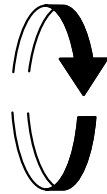
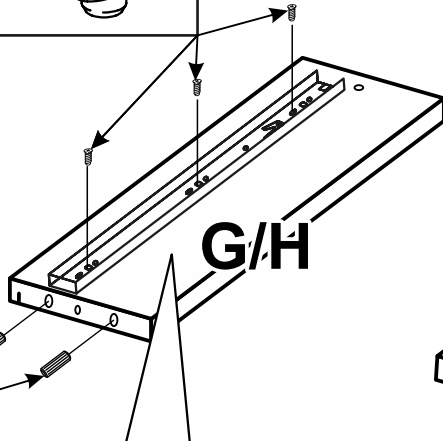
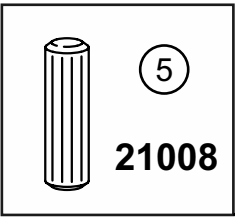
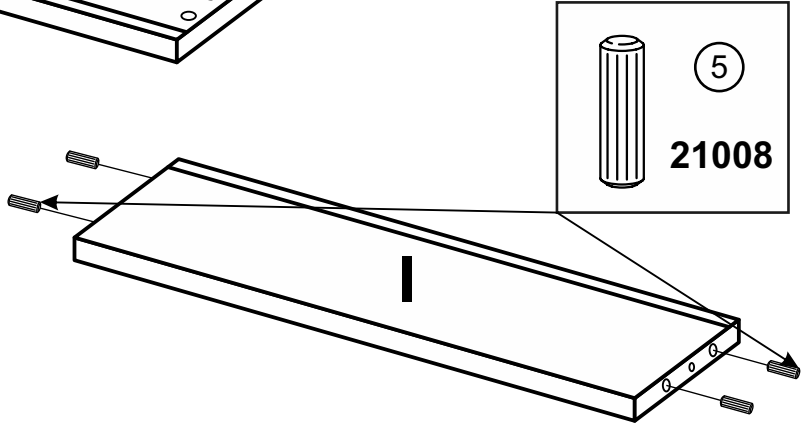
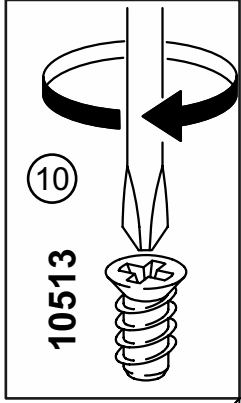
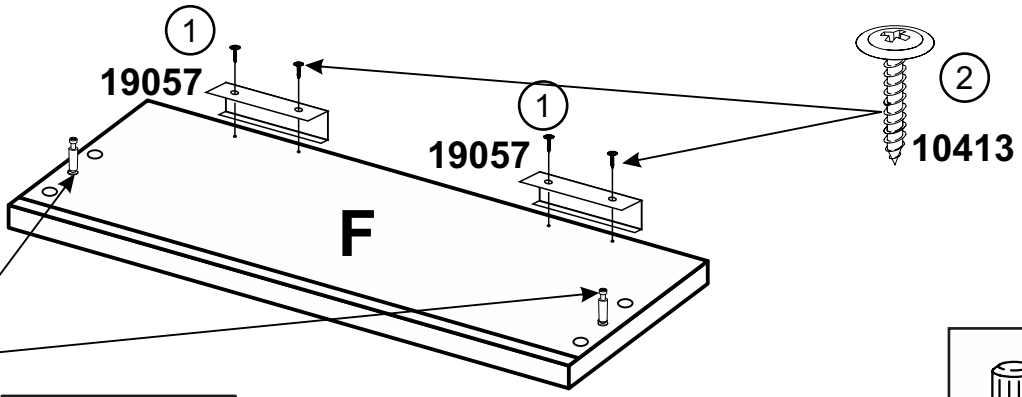
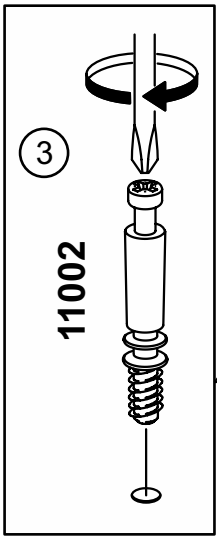




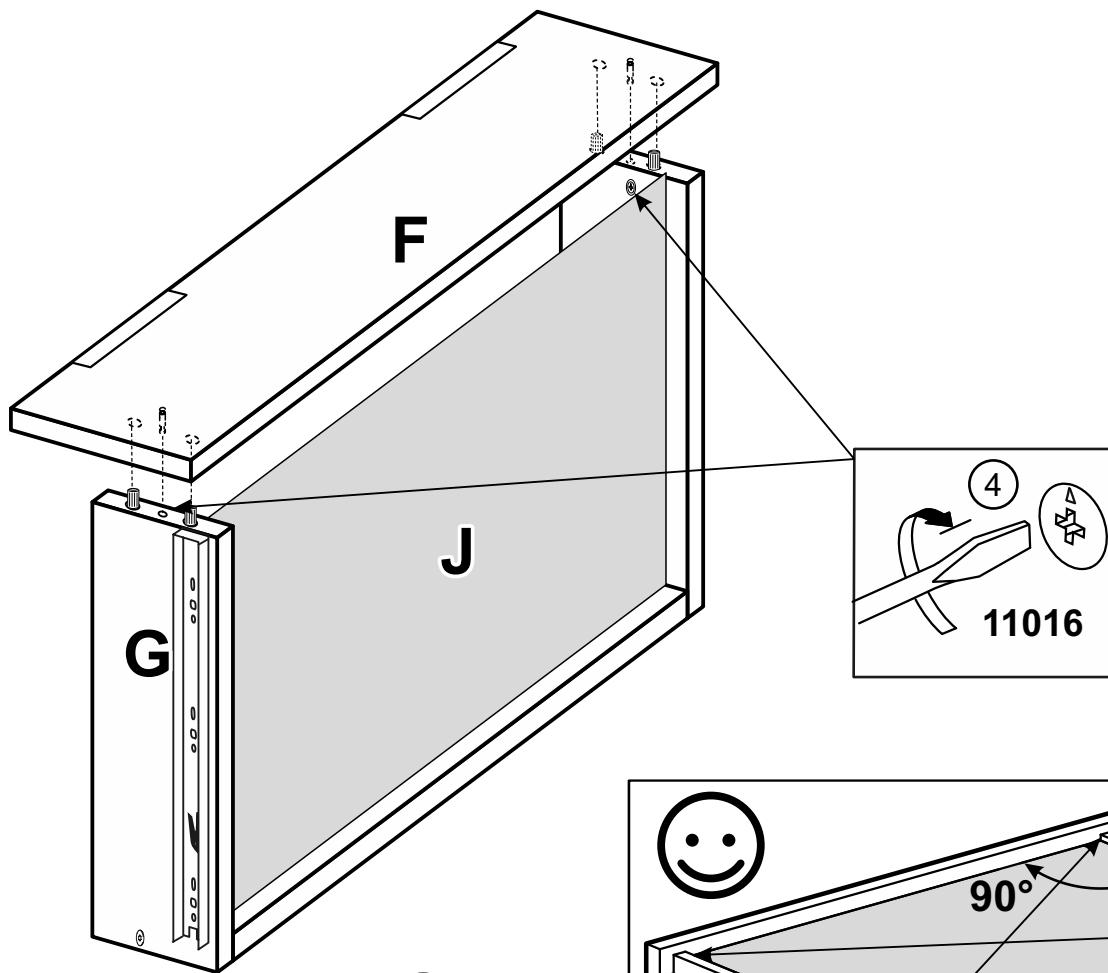




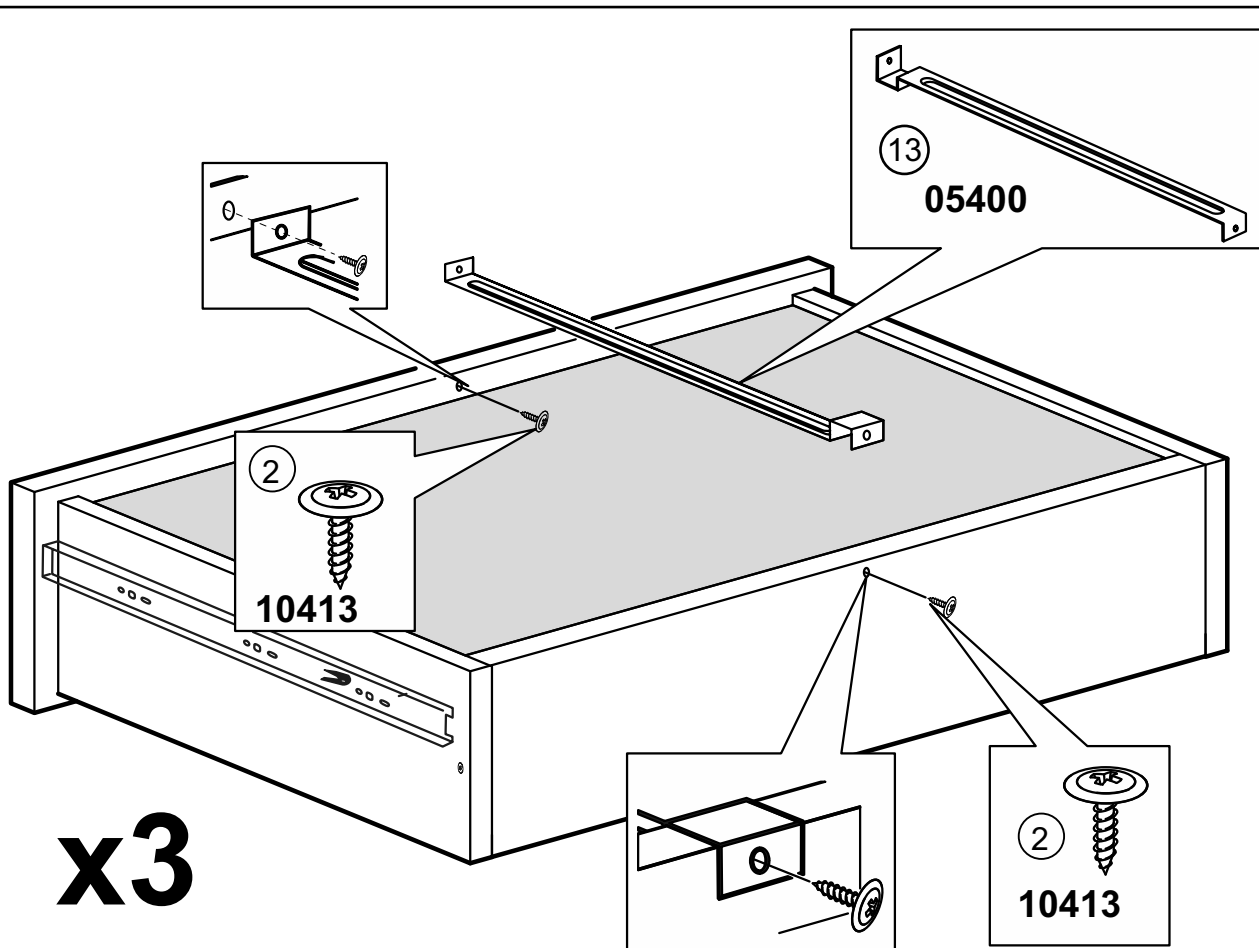
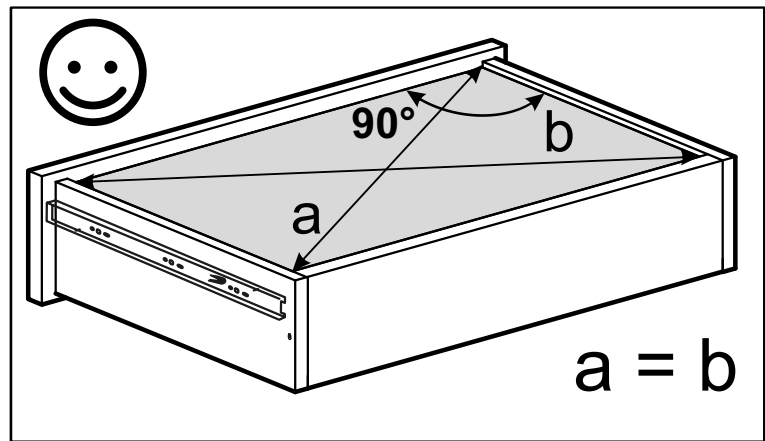




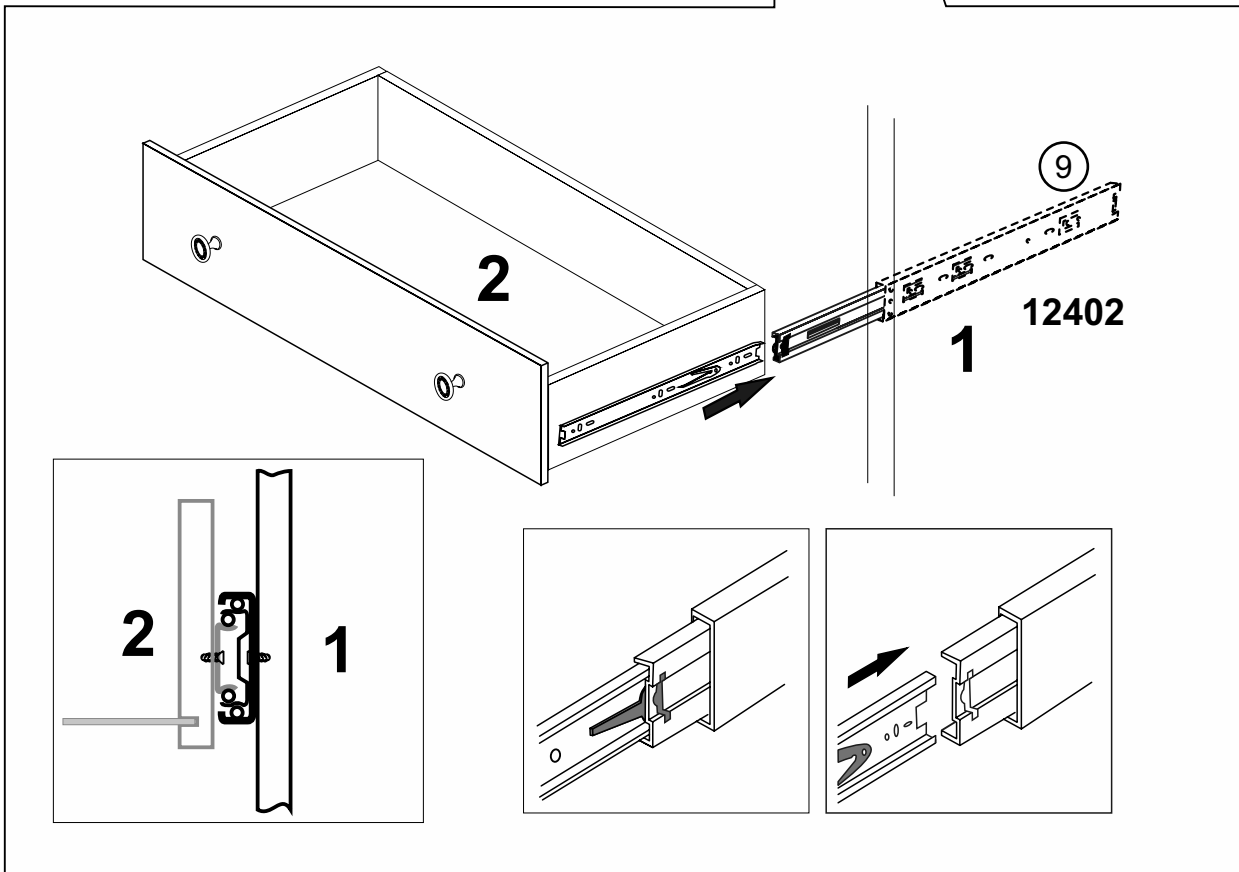
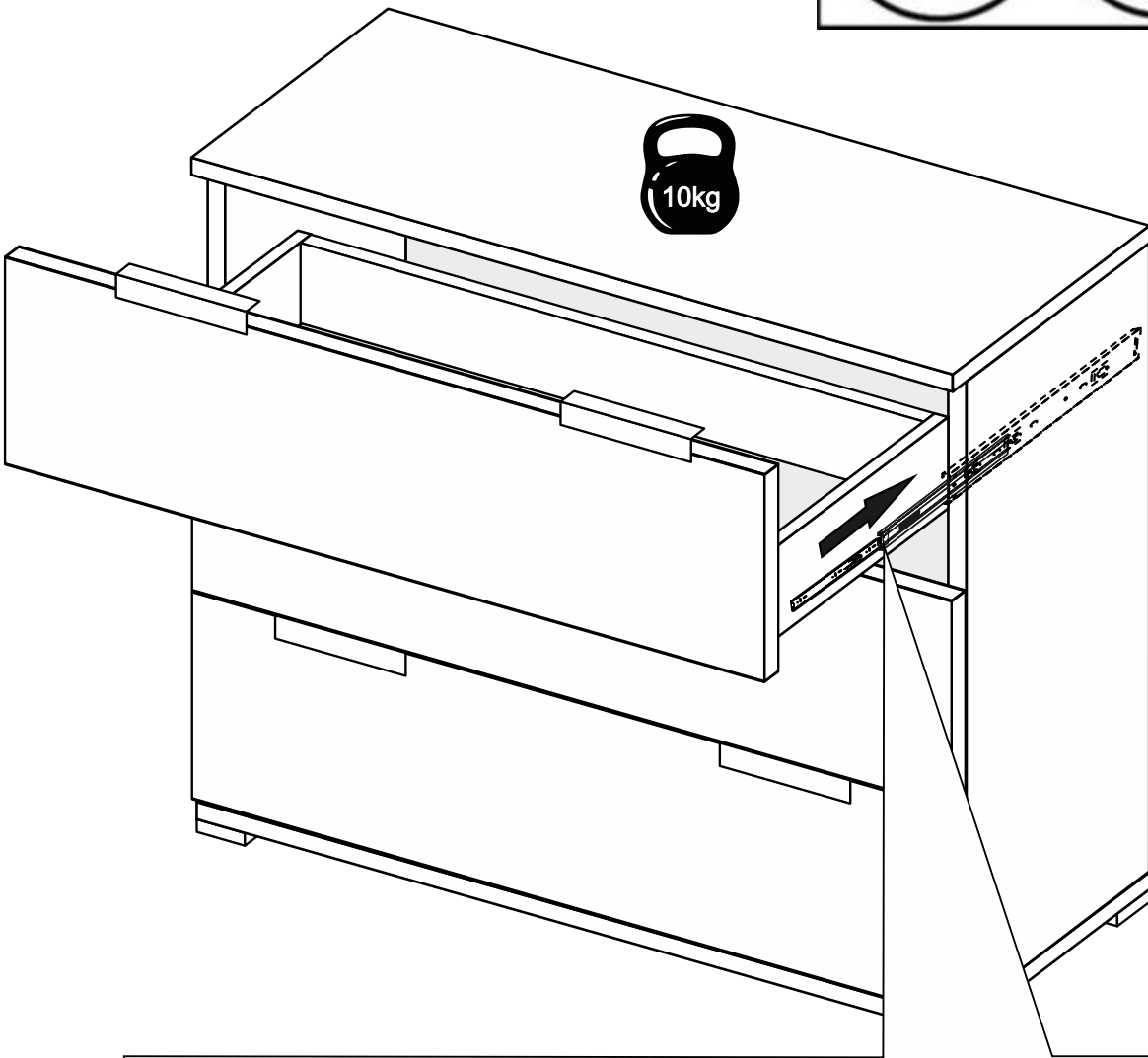
**x3**



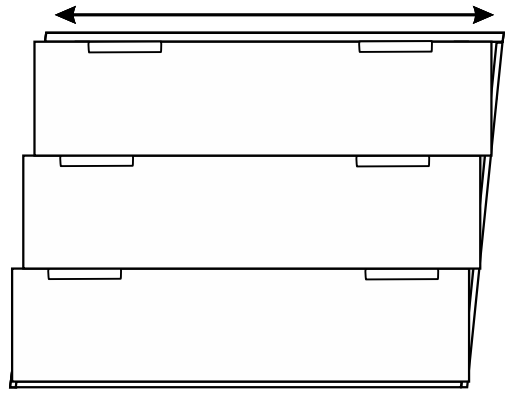
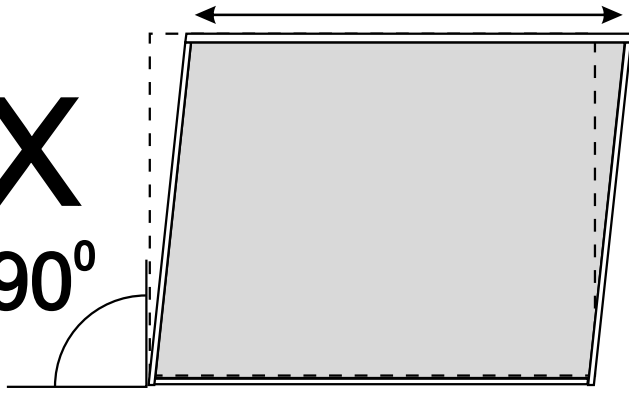
**x3**



**x3**



**X**  
**90°**



**✓**  
**90°**

