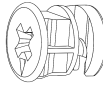
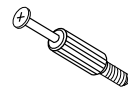



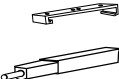

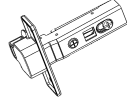
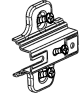
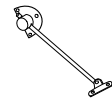
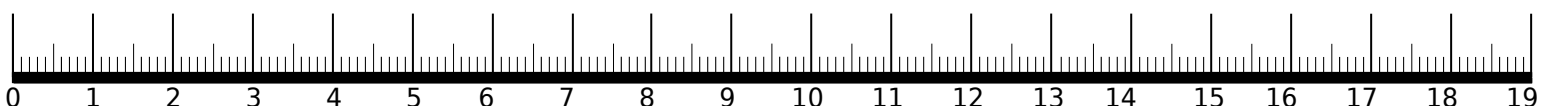
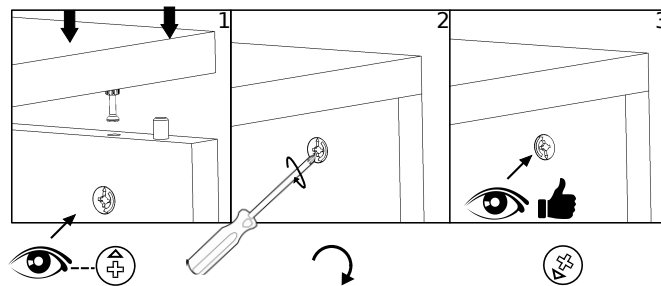
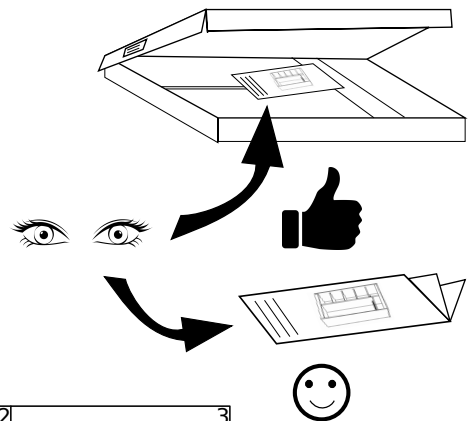
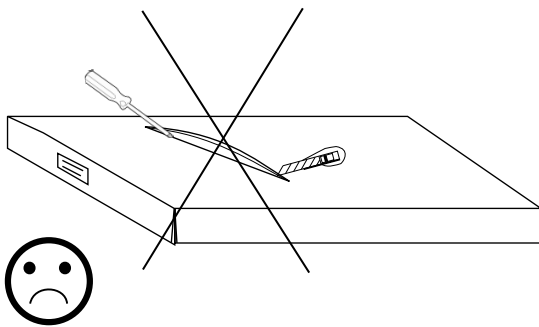
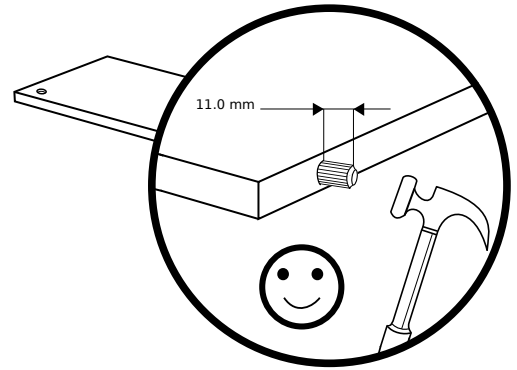
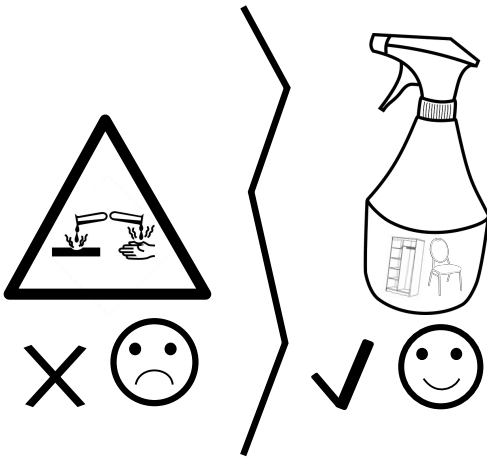
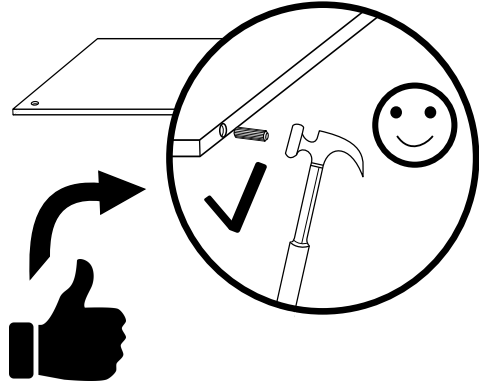
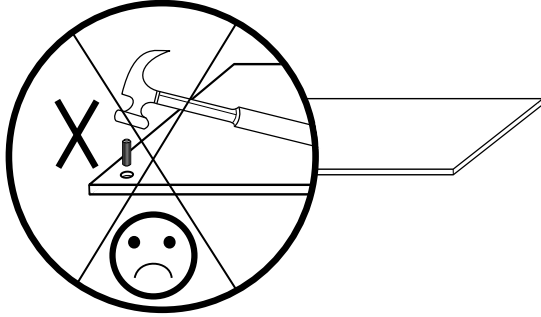
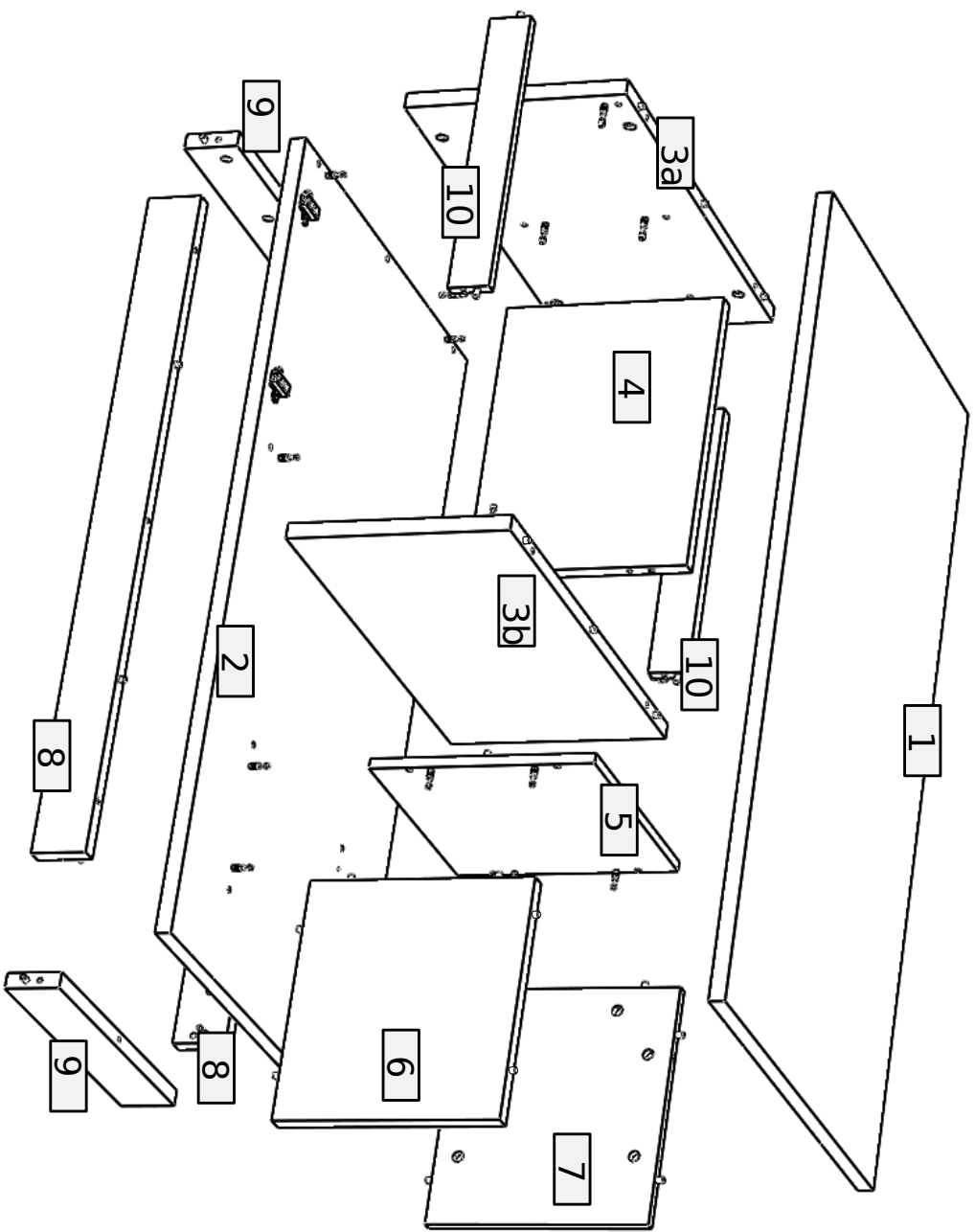
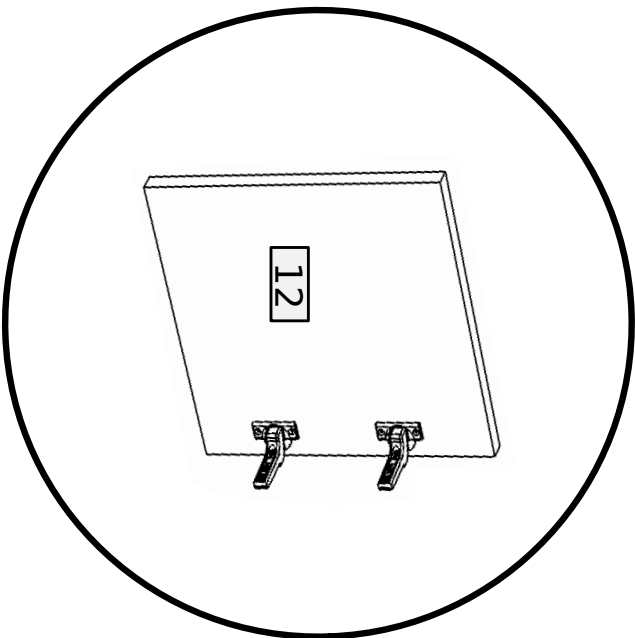
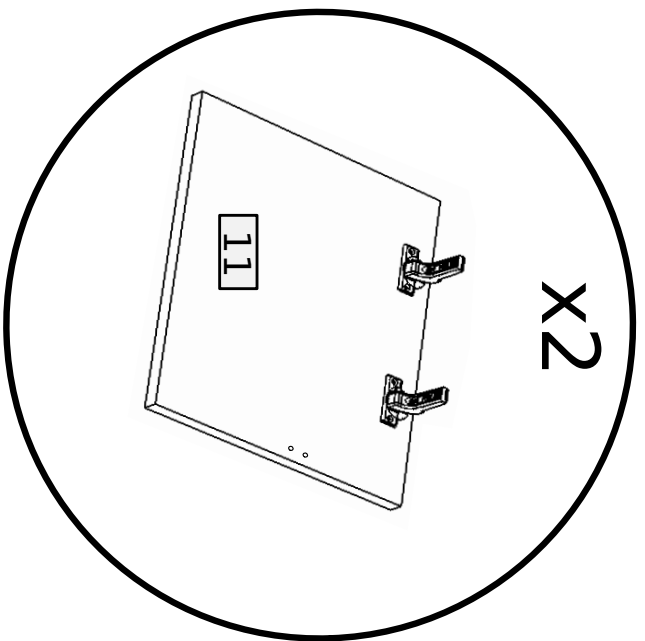


40	40	44	24	28
				
B	A	8.0x35	D	X 3.5x16
				
E	Z	Z1	PZ	R
3	4	2	6	2

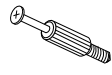




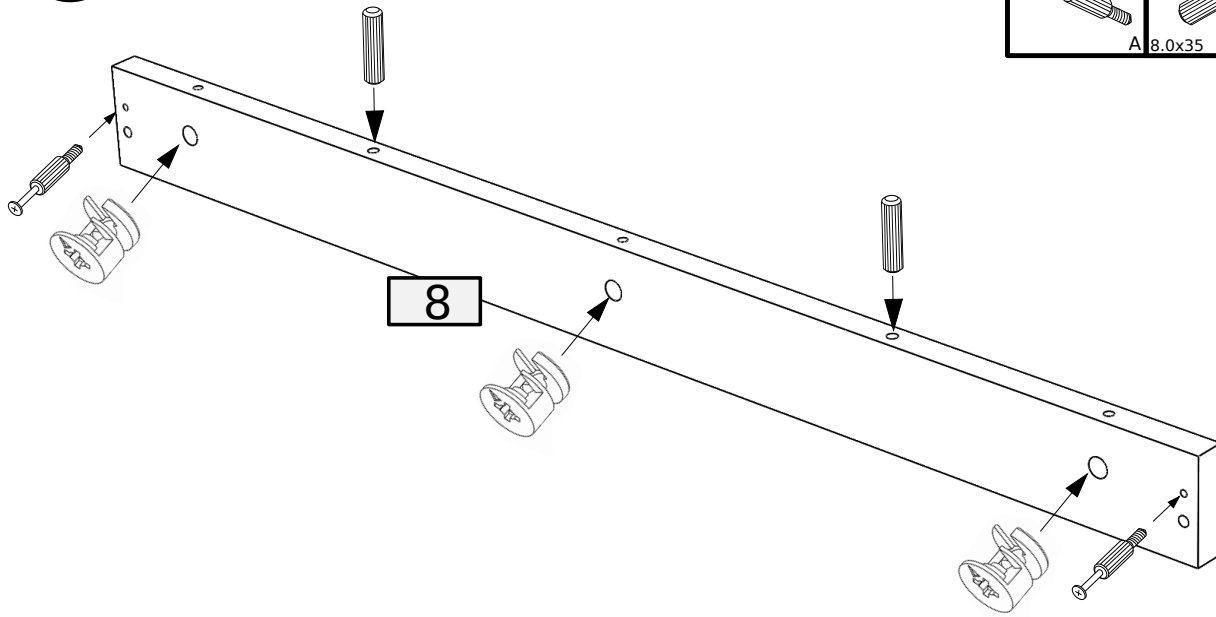


1	1	1200	650	22	-	1/3
2	1	1200	650	22	-	1/3
3a	1	326	648	22	-	2/3
3b	1	326	648	22	-	2/3
4	1	420	326	16	-	2/3
5	1	350	326	-	15	3/3
6	1	350	326	-	15	3/3
7	1	350	326	-	15	3/3

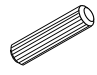

8	2	1000	80	22	-	1/3
9	2	418	80	22	-	1/3
10	2	420	60	-	15	3/3
11	2	416	284	16	-	2/3
12	1	346	322	-	15	3/3

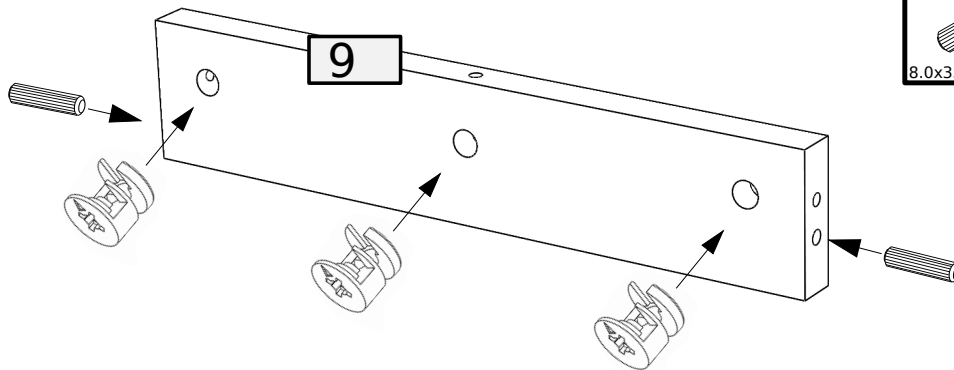
① x2

2	2	3
		
A	8.0x35	D B

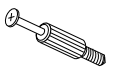


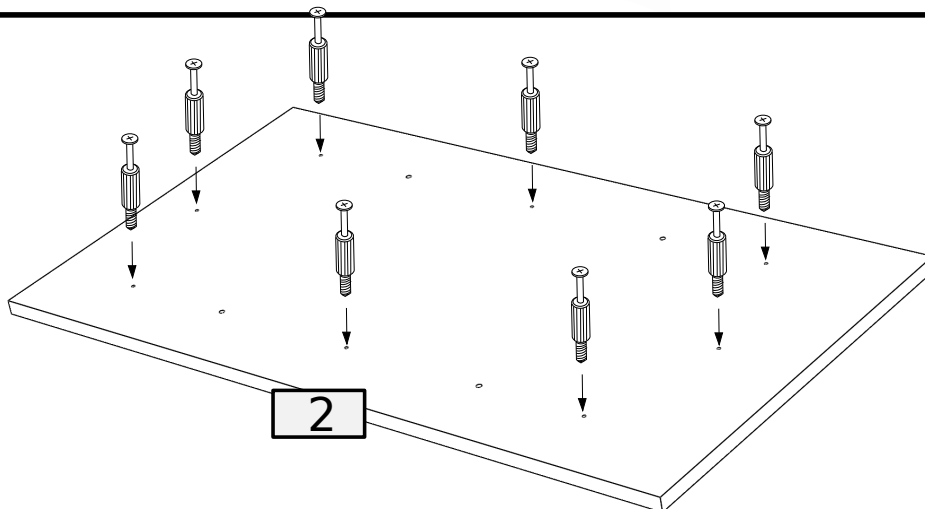
② x2

2	3
	
8.0x35	D B

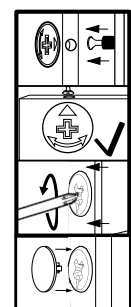
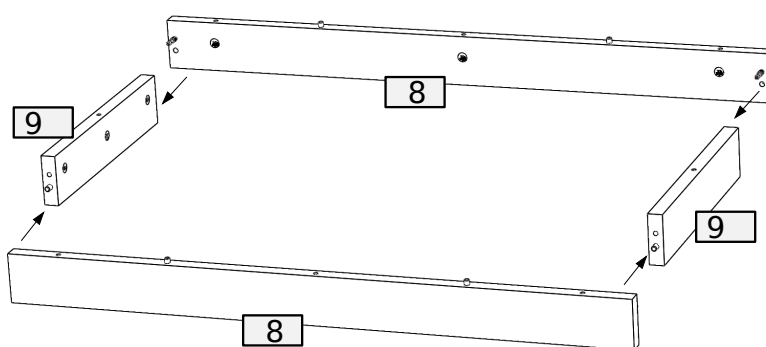


③

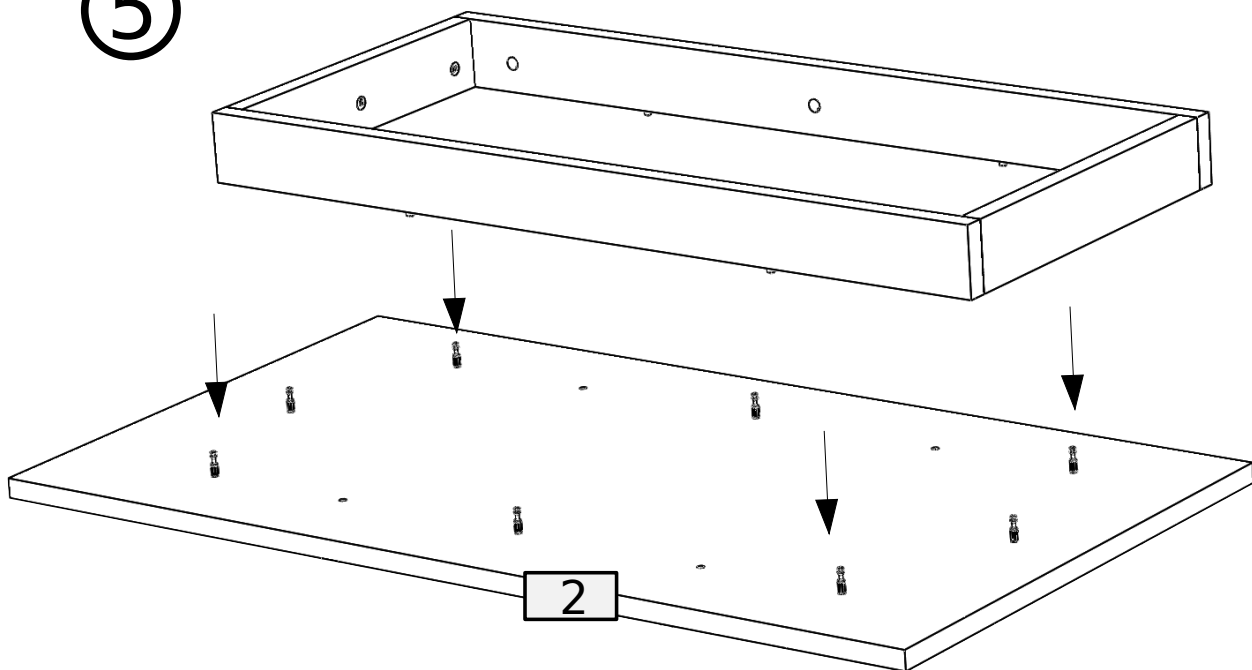
8

A



④

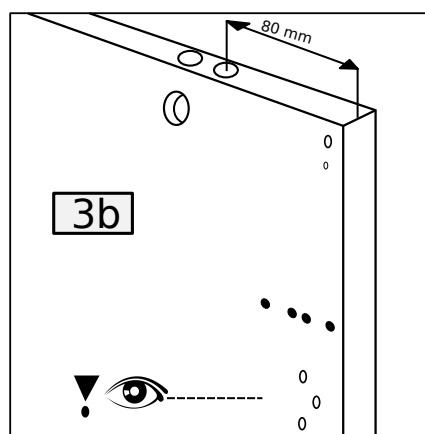
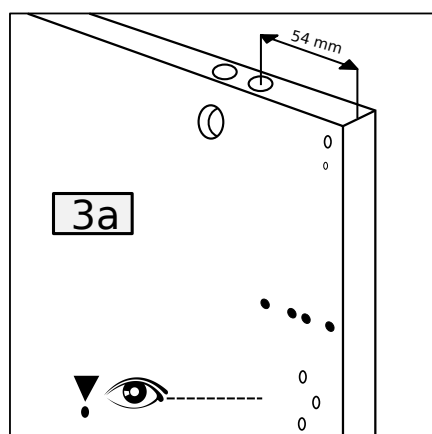
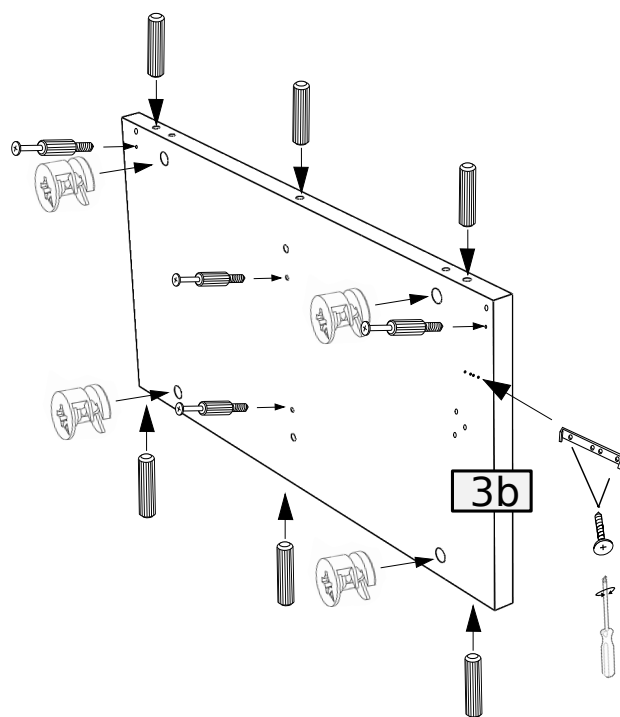
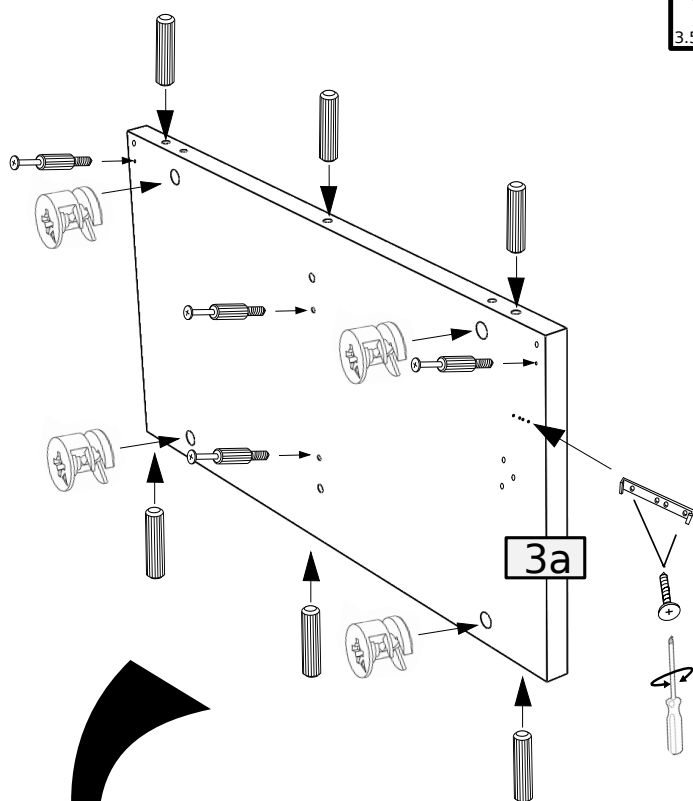


5

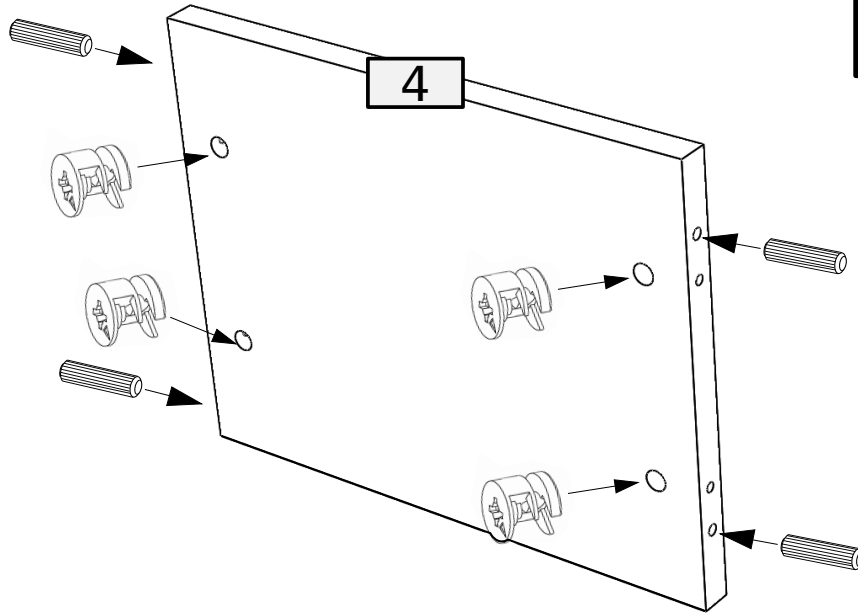


6

4	1	8	12	8
3.5x16	W2	A	8.0x35	D
				B

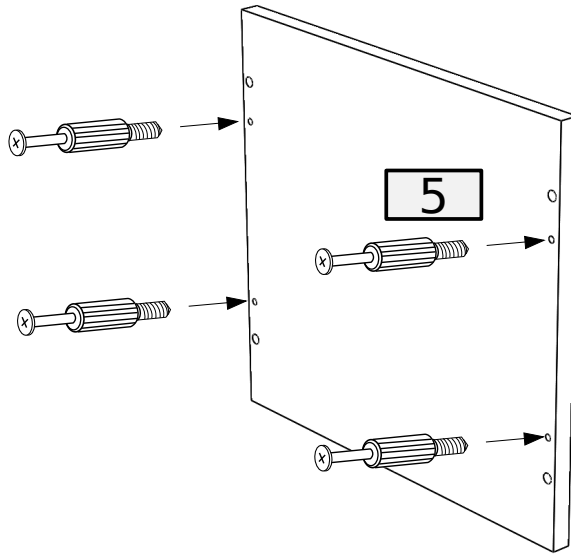


8



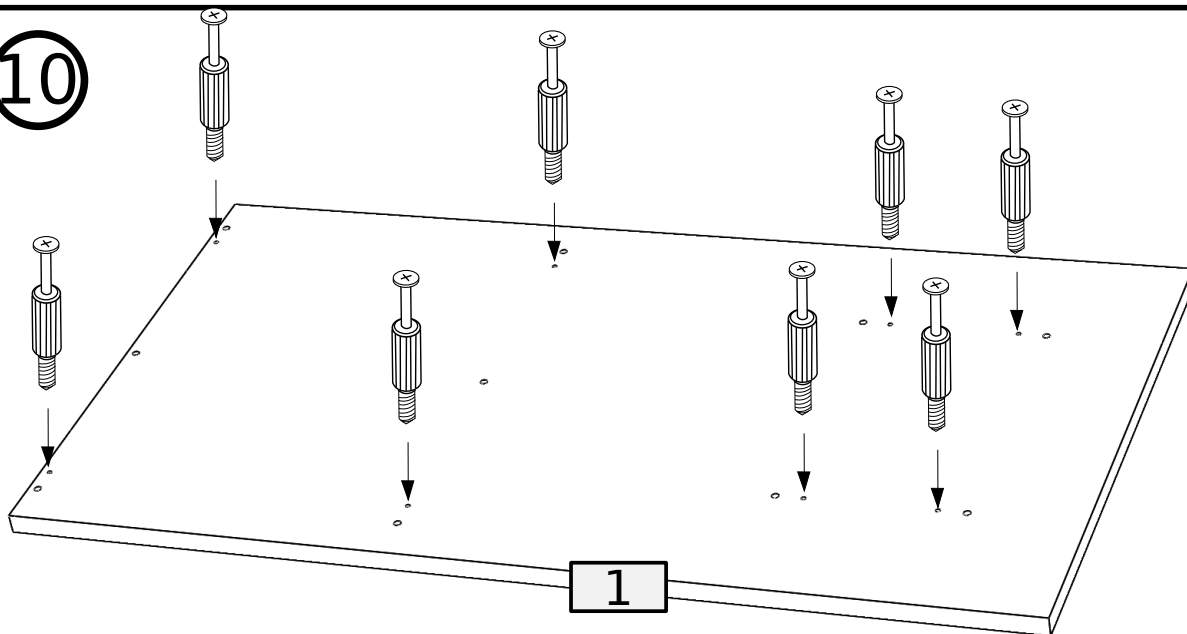
4	4

9





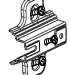
4

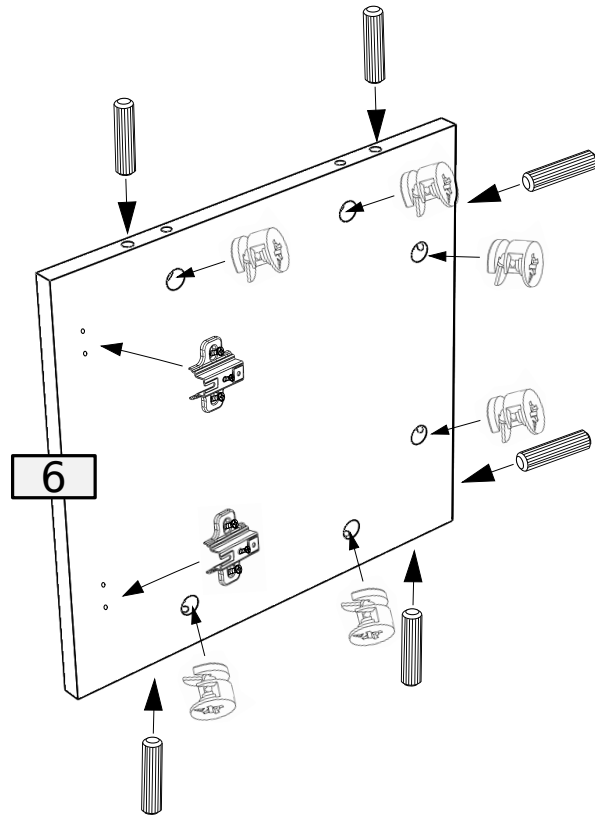
10





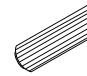
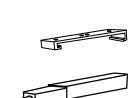
8

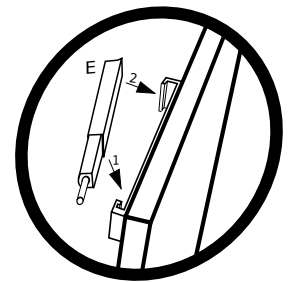
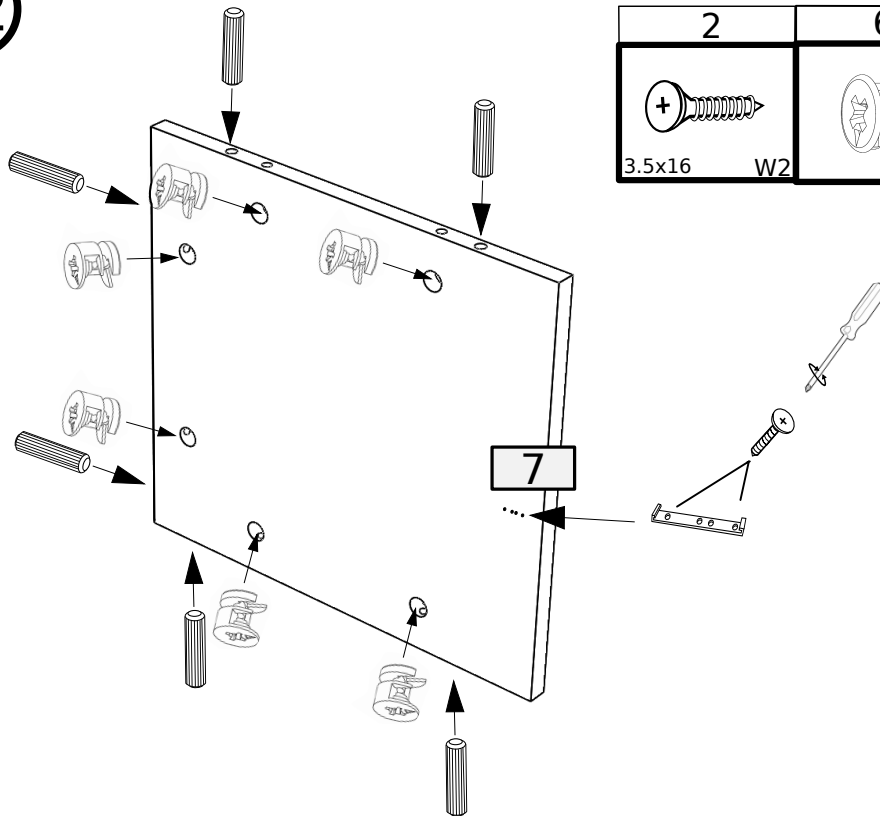
11

6	6	2
		
B 8.0x35	D	PZ

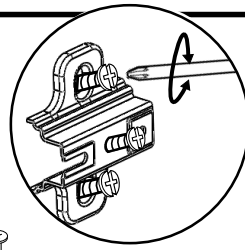


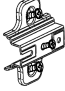
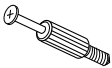
12

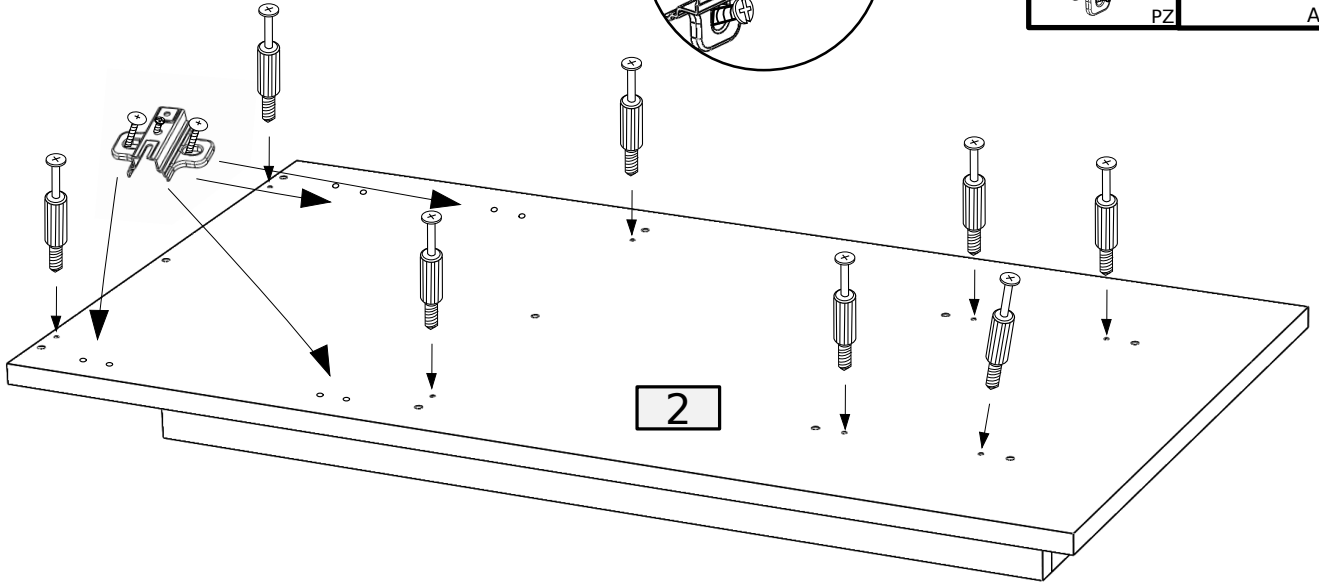
2	6	6	1
			
3.5x16	W2	B 8.0x35	D




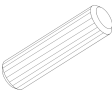
13



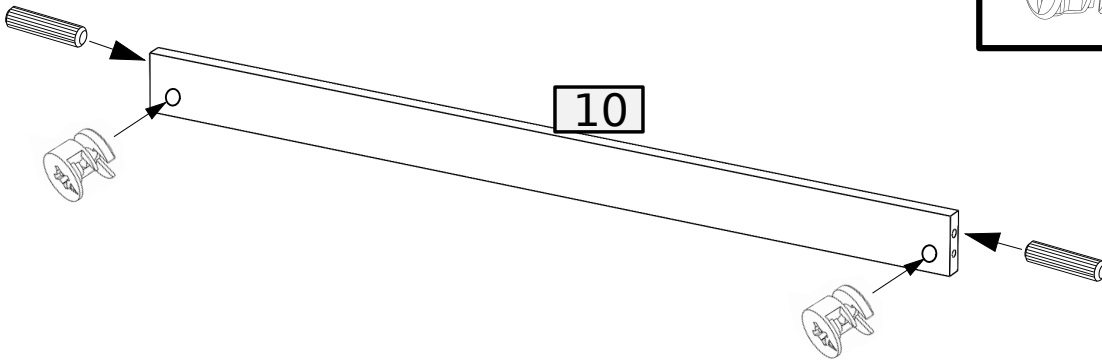
4	8
	
PZ	A



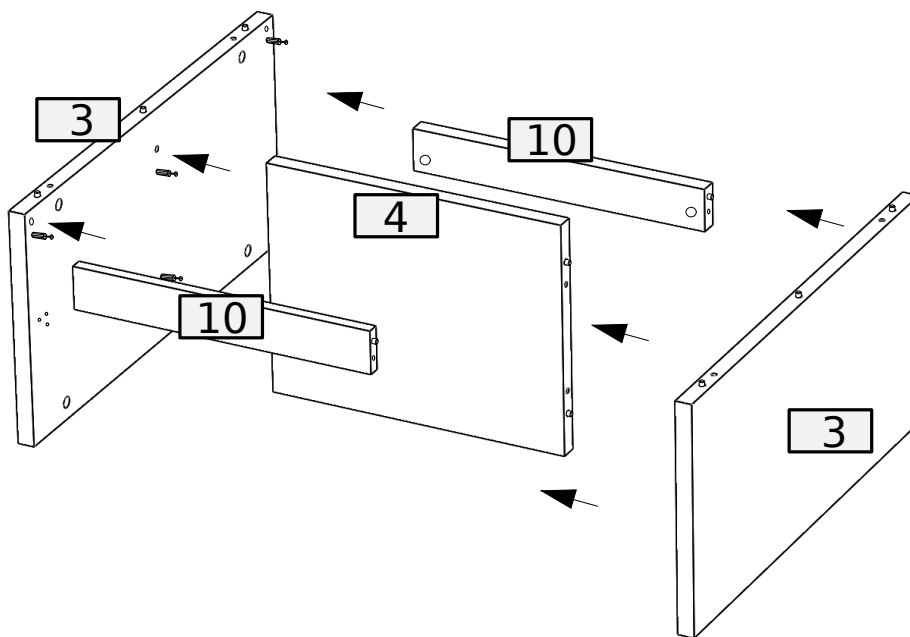
14 x2

2	2
	
B	D

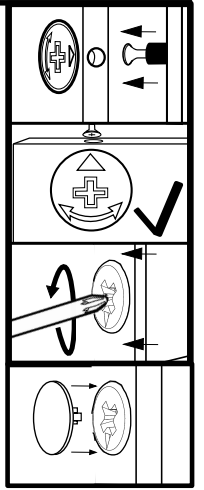
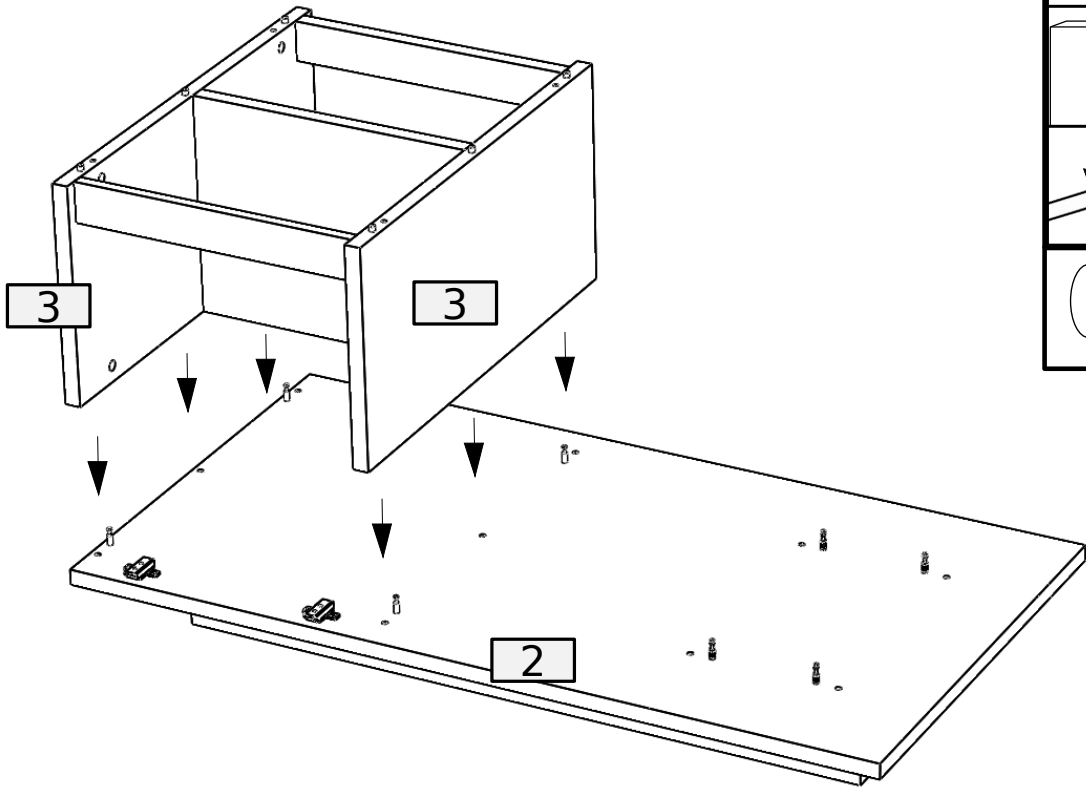
8.0x35



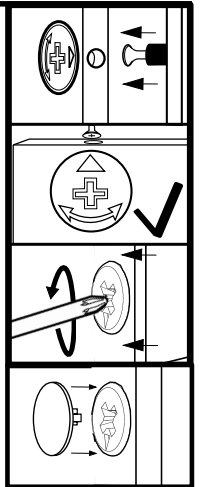
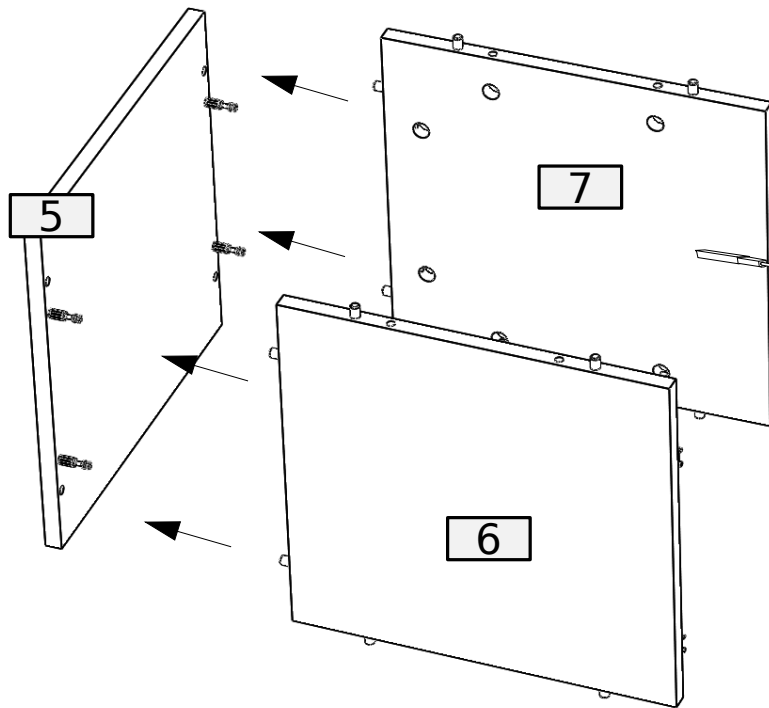
15



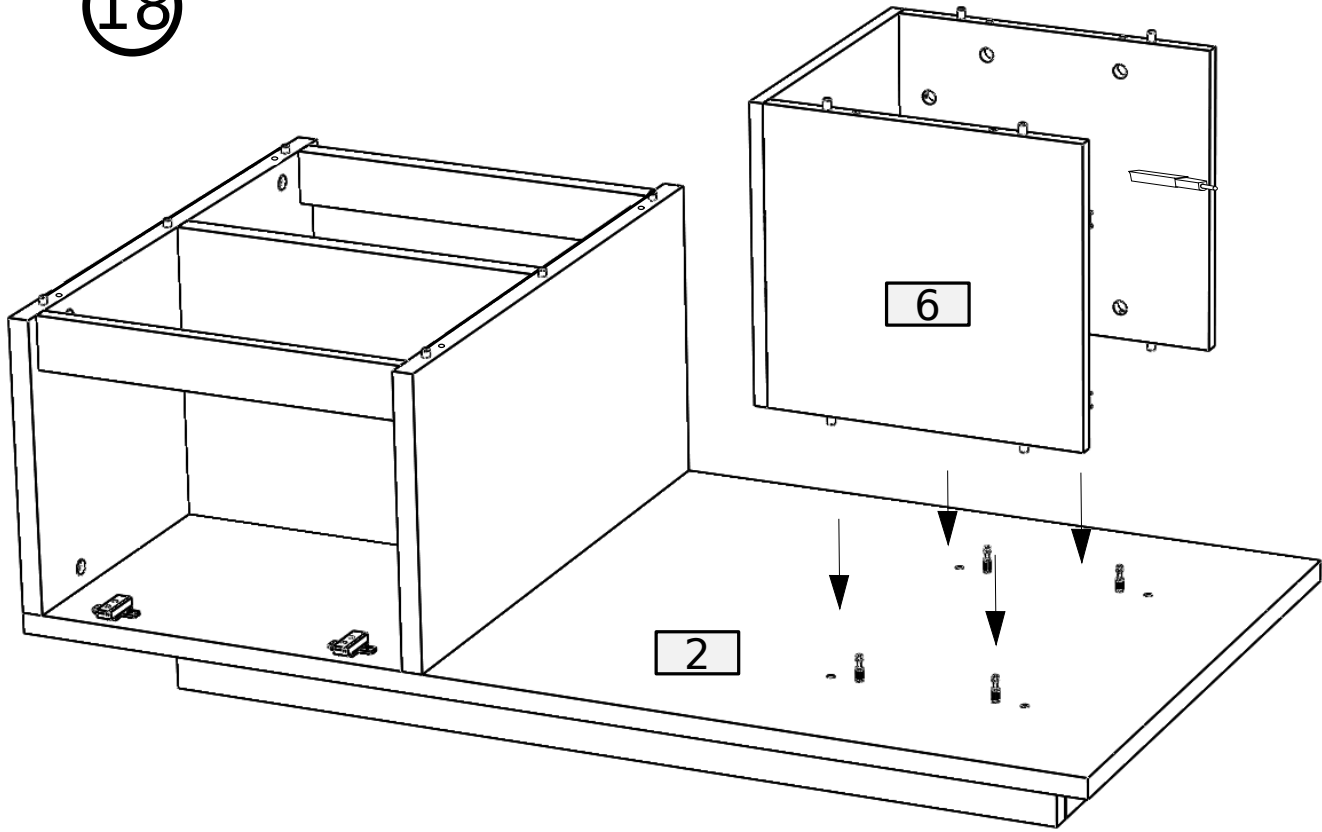
16



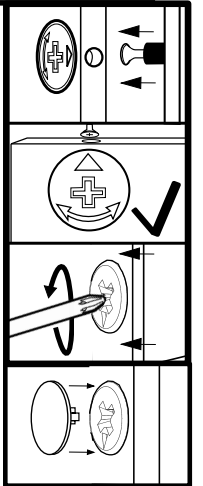
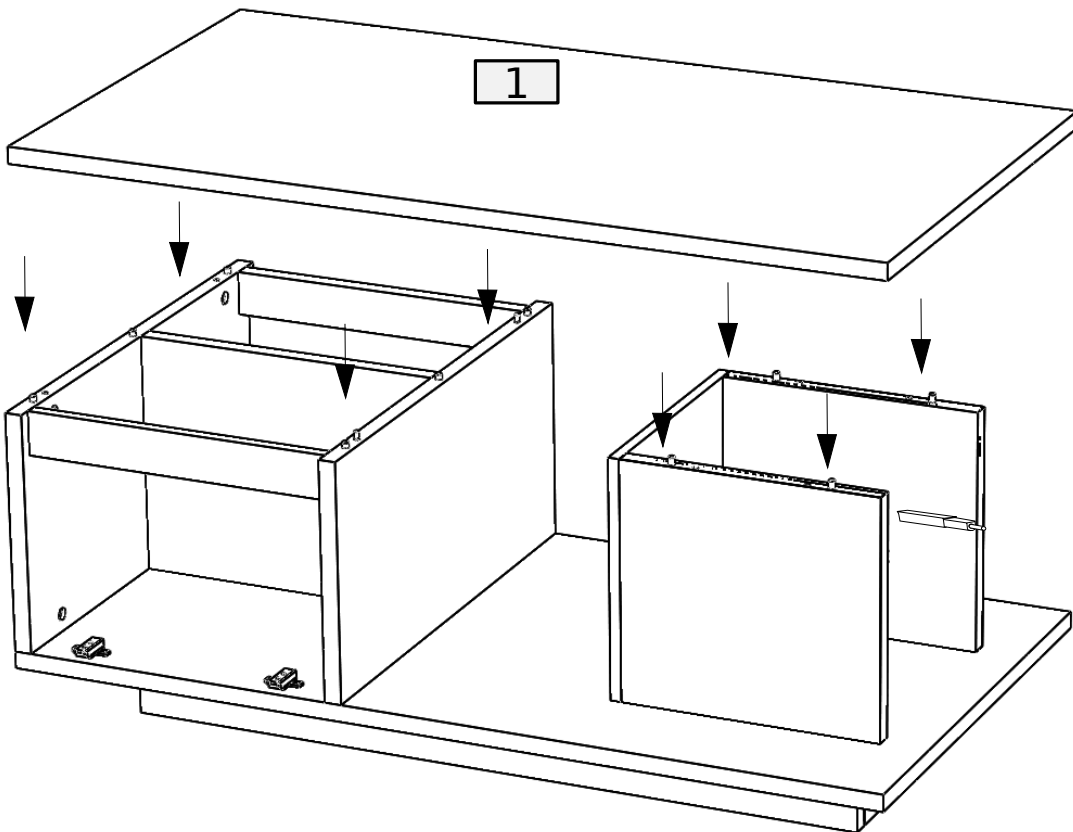
17





18

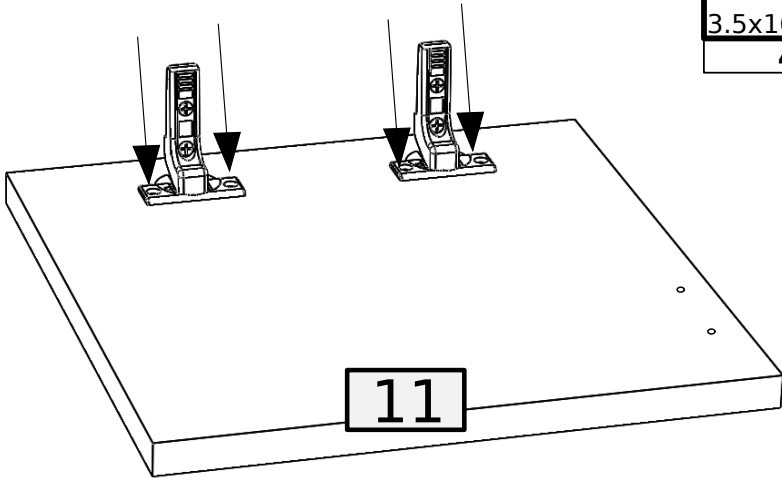
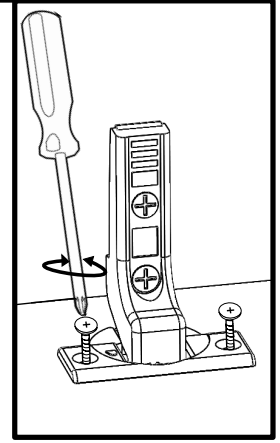


19

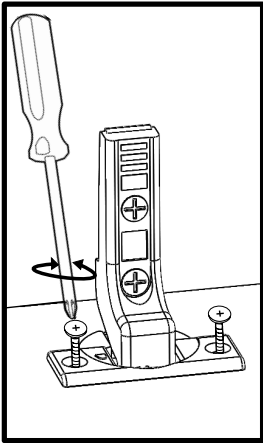



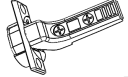
20 x 2

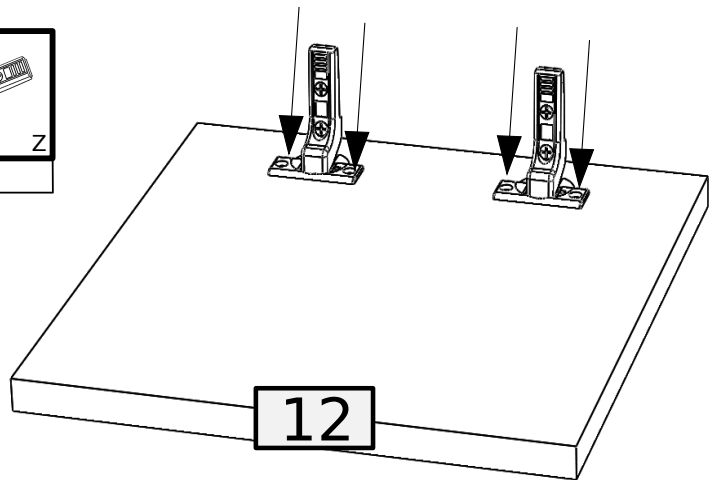
	
3.5x16 W2	Z
4	2



21




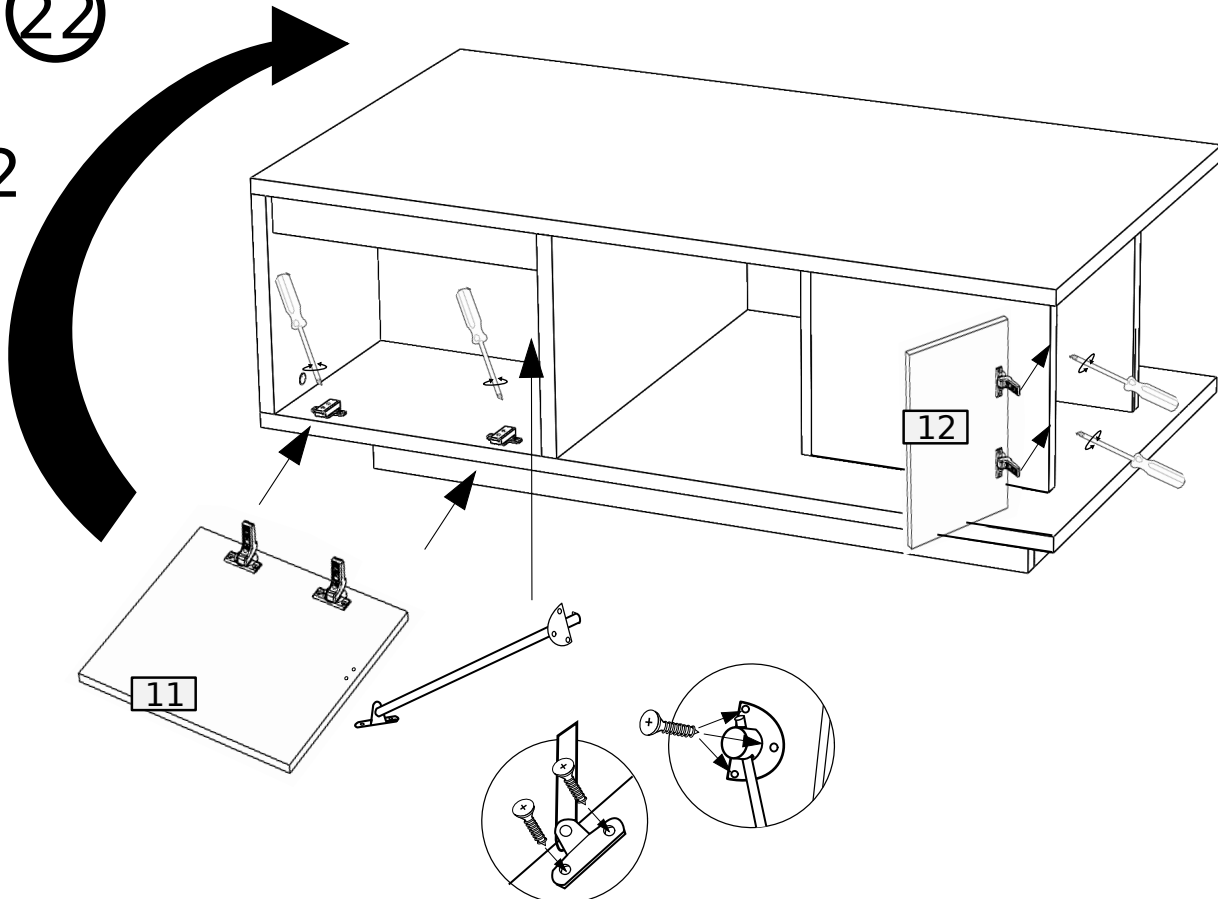
	
3.5x16 W2	Z
4	2

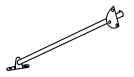


22

x2

10

3.5x16 W2



2

R