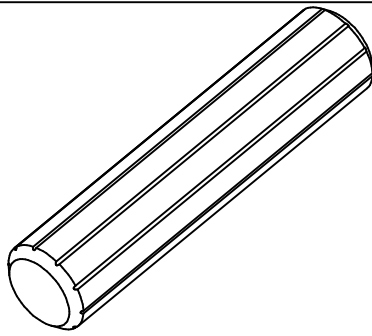
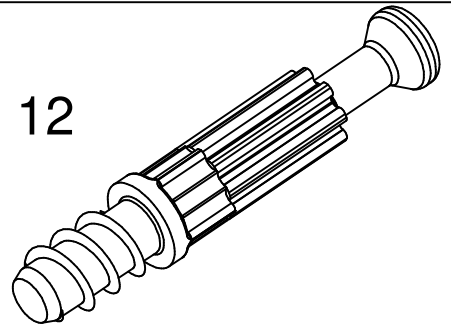


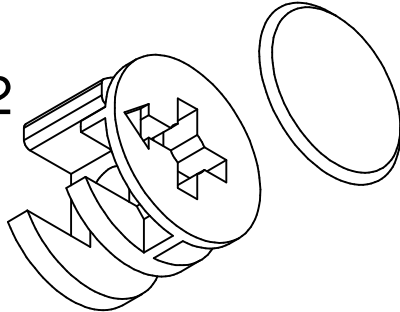
**A** x 12  
(8x36)



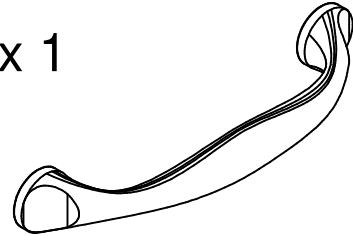
**B** x 12



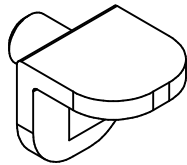
**C** x 12  
(15x12)



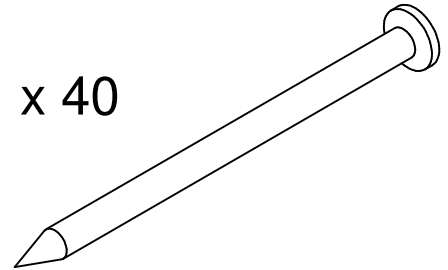
**D** x 1



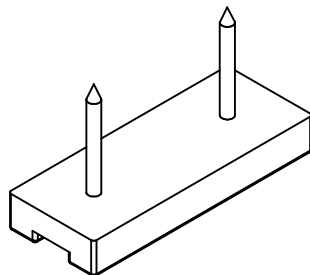
**E** x 12



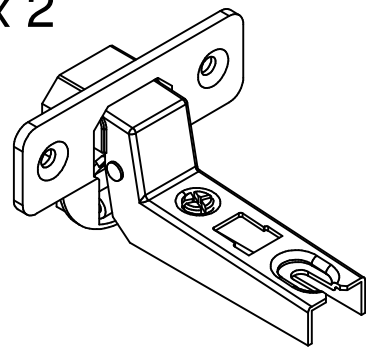
**F** x 40



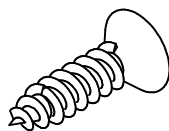
**G** x 4



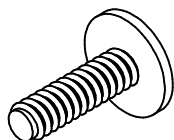
**J** x 2



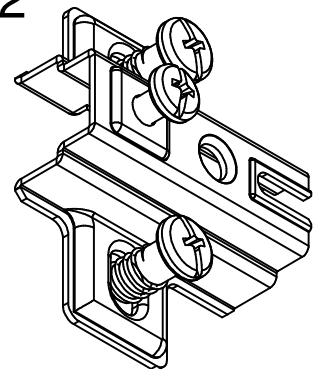
**H** x 4  
(3,5x16)

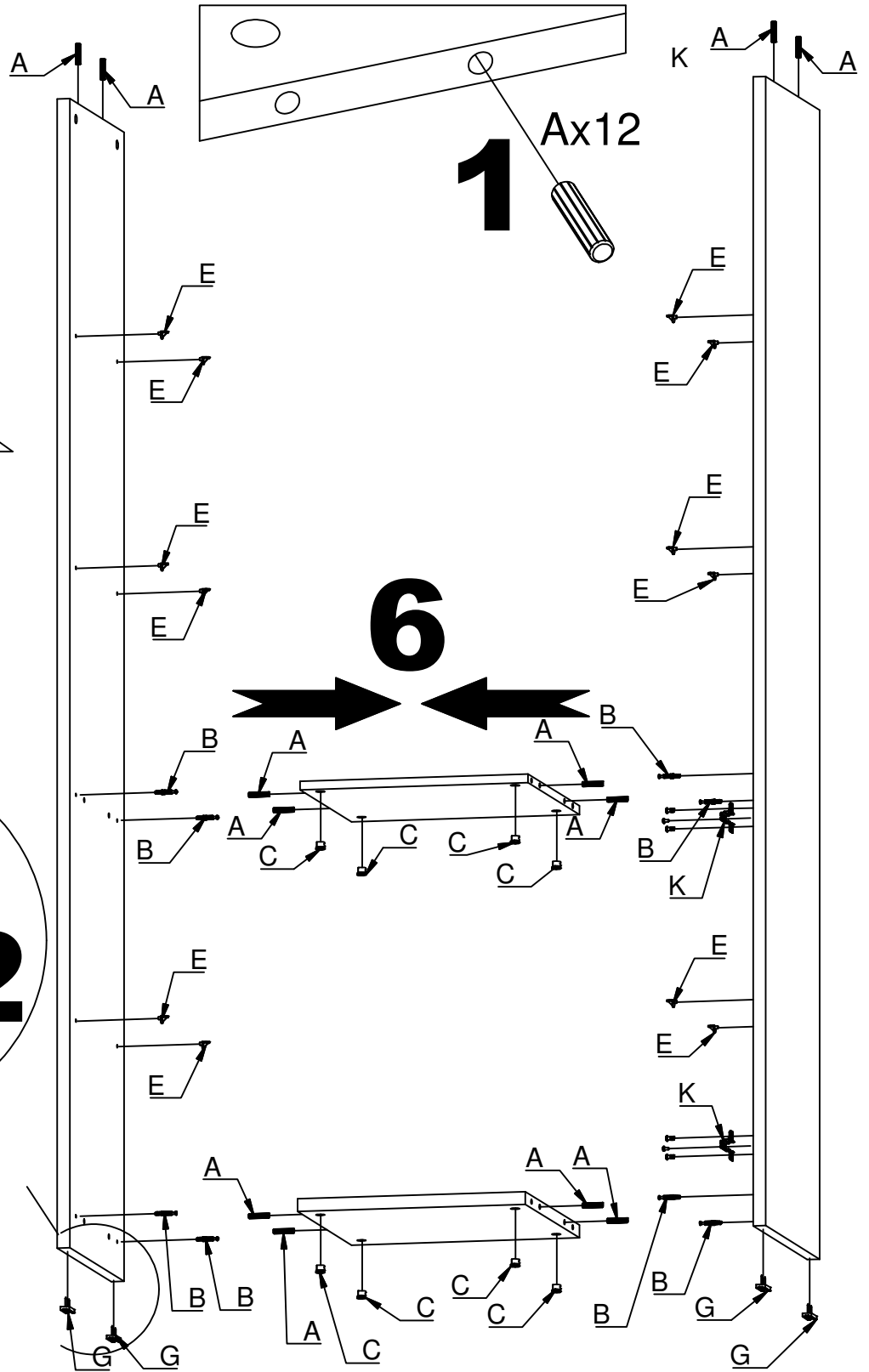
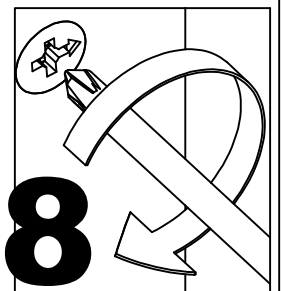
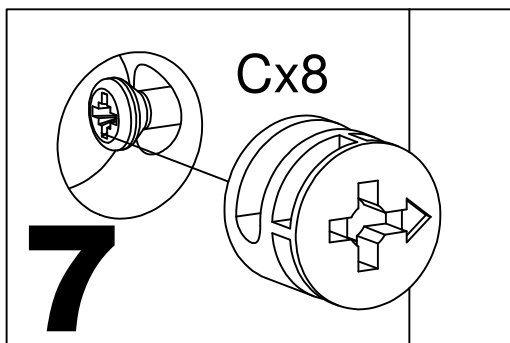
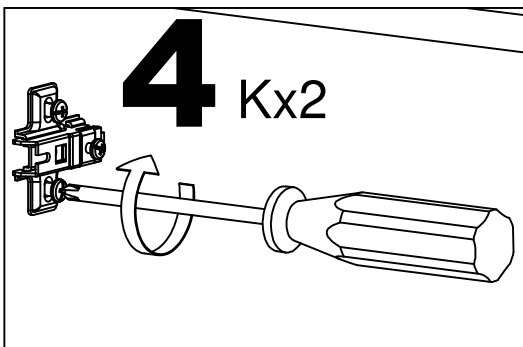
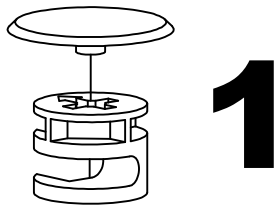
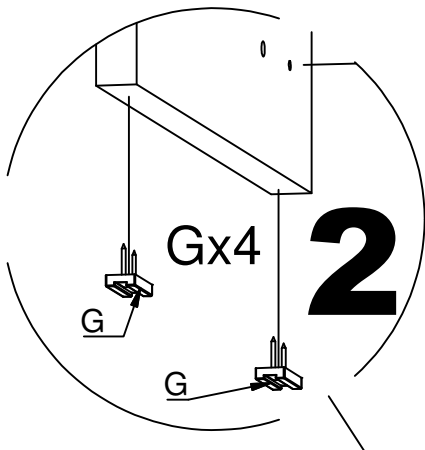
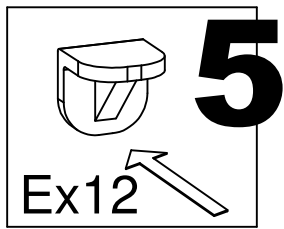
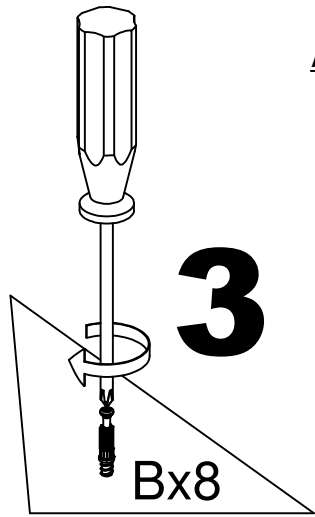


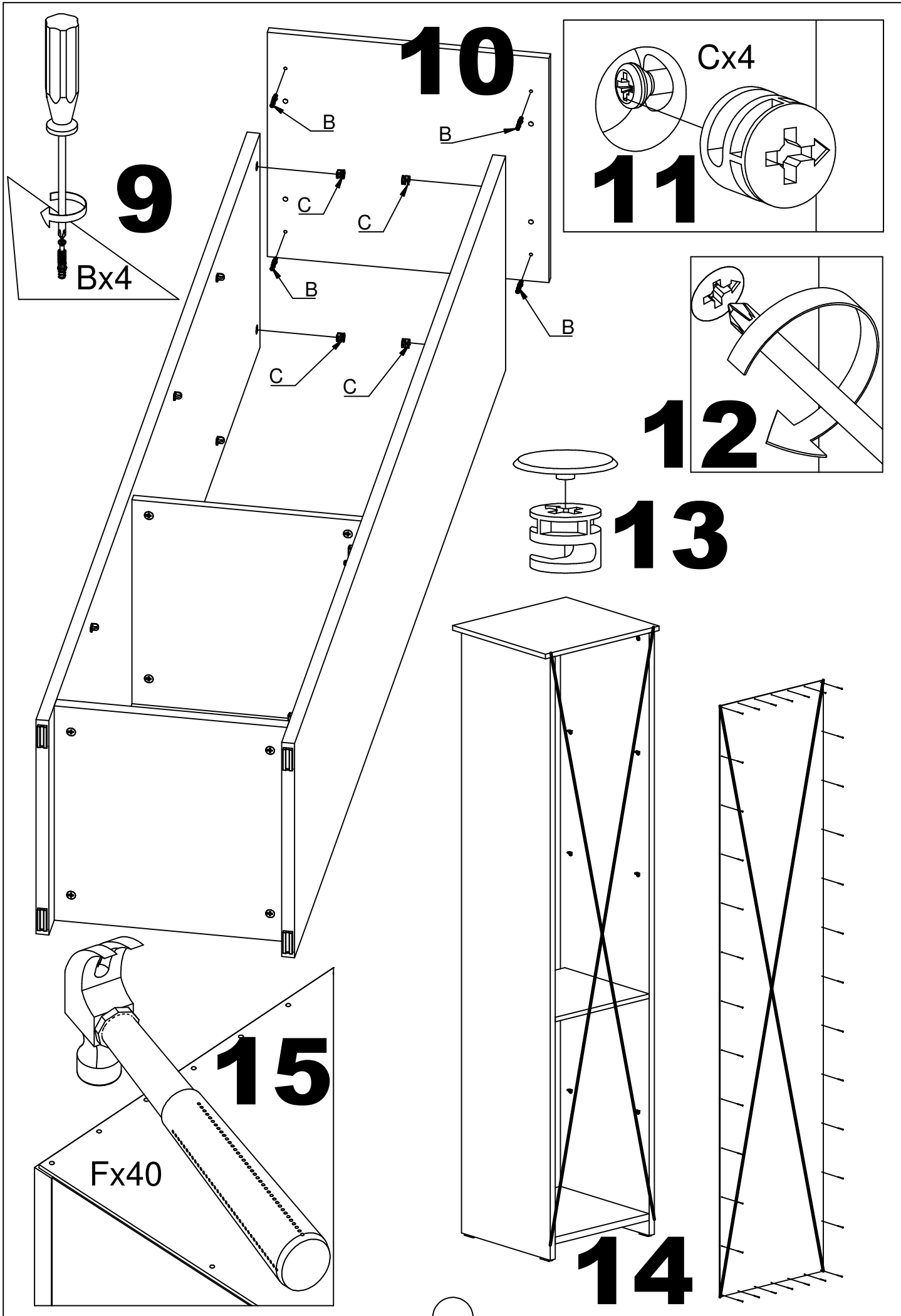
**I** x 2  
(M4x25)



**K** x 2







**9**

Bx4

**10**

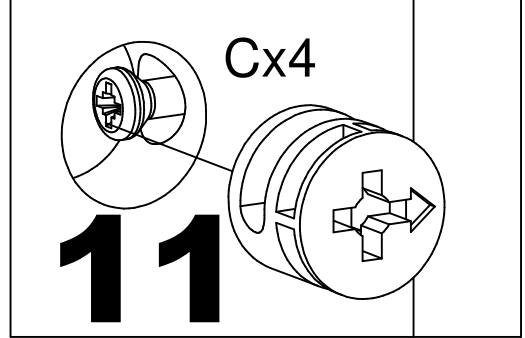
B

B

C

C

B

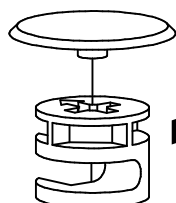


Cx4

**11**



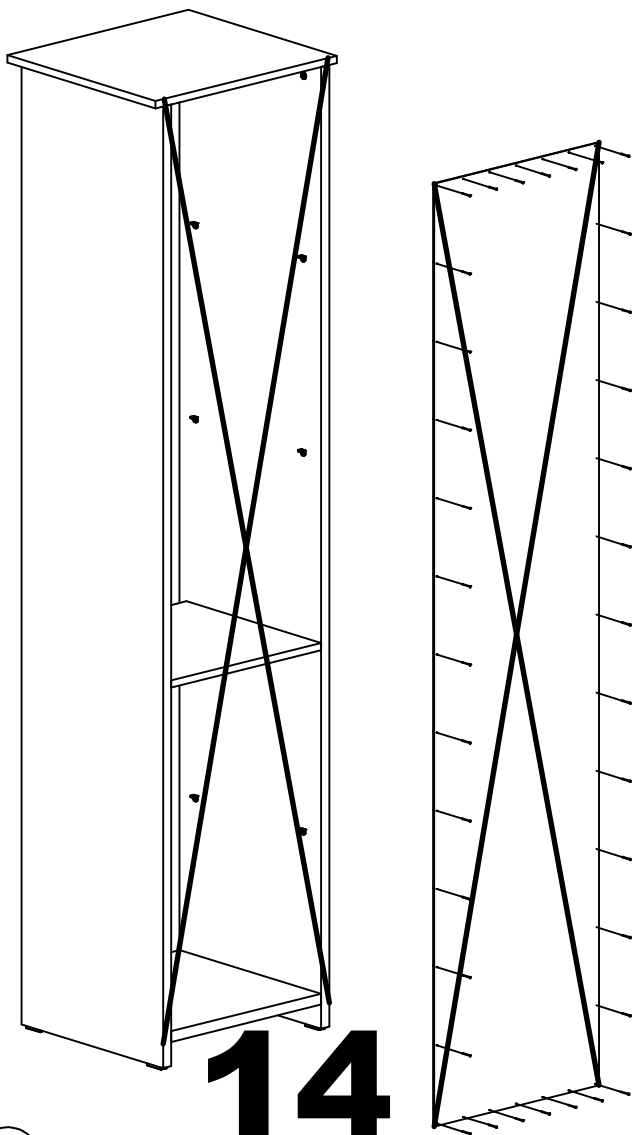
**12**



**13**

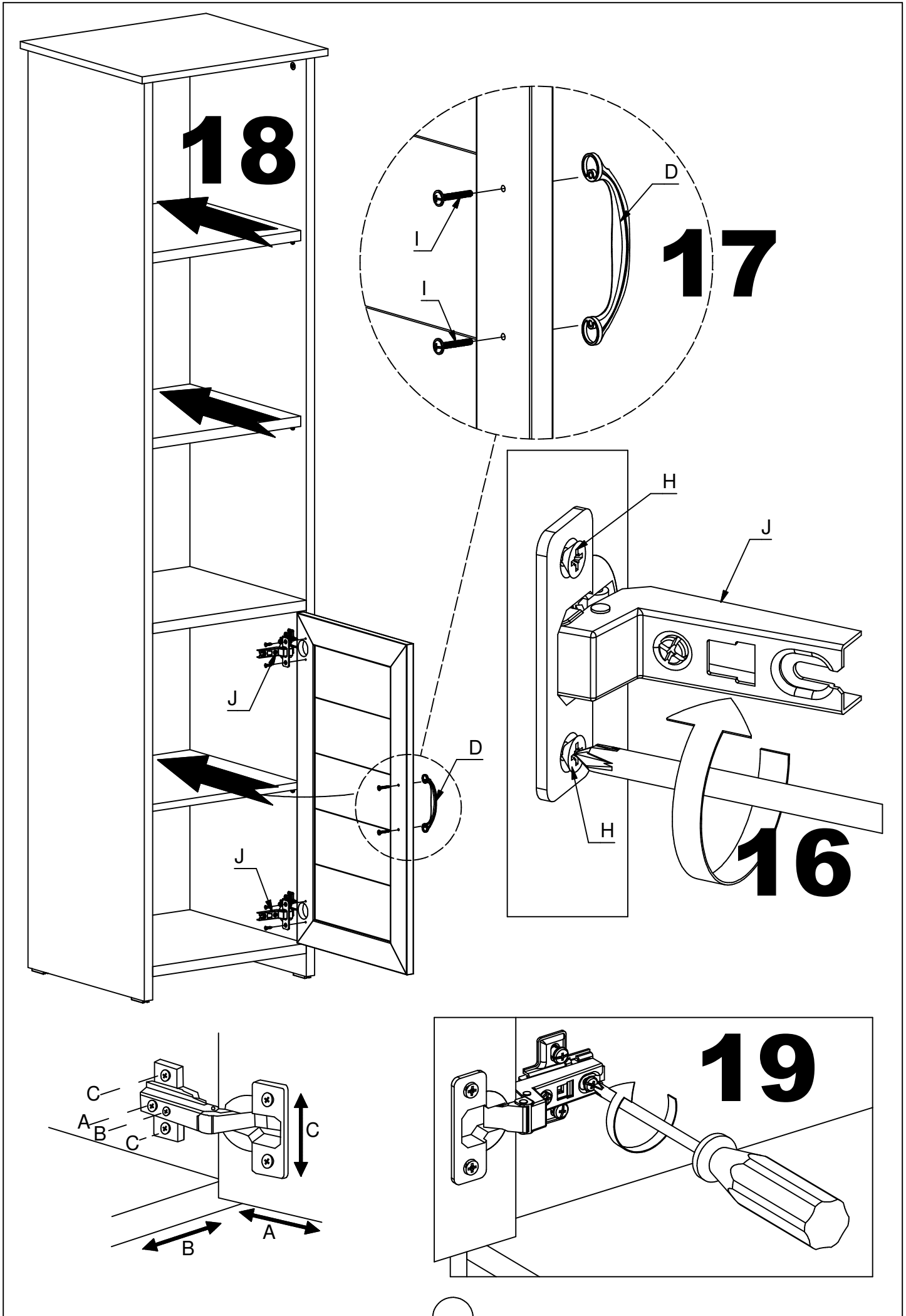
**15**

Fx40



**14**





**18**

**17**

**16**

**19**

C

A

B

C

C

B

A

D

L

L

H

J

D

H

C

A

B

C

C

B

A

D

L

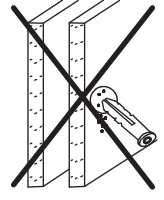
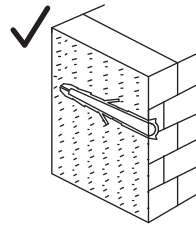
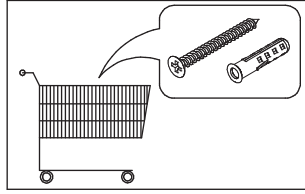
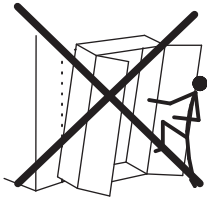
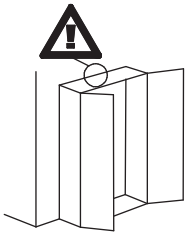
L

H

J

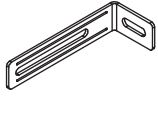
D

H



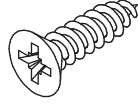
**A**

T4 x1



75x28x16 mm

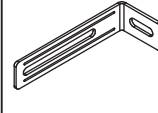
W2 x2



Ø3,5x16mm

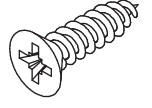
**B**

T4 x2



75x28x16 mm

W2 x4



Ø3,5x16mm

