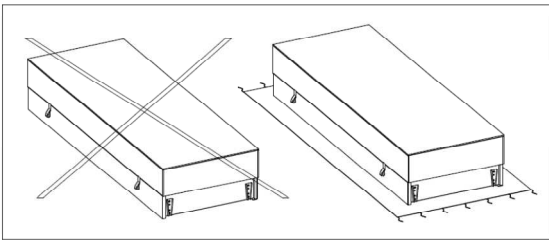
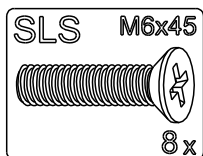
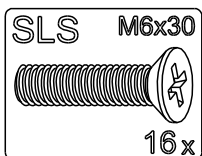
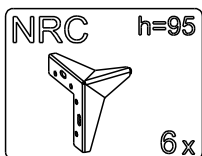
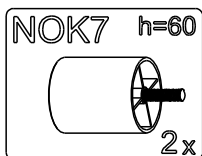
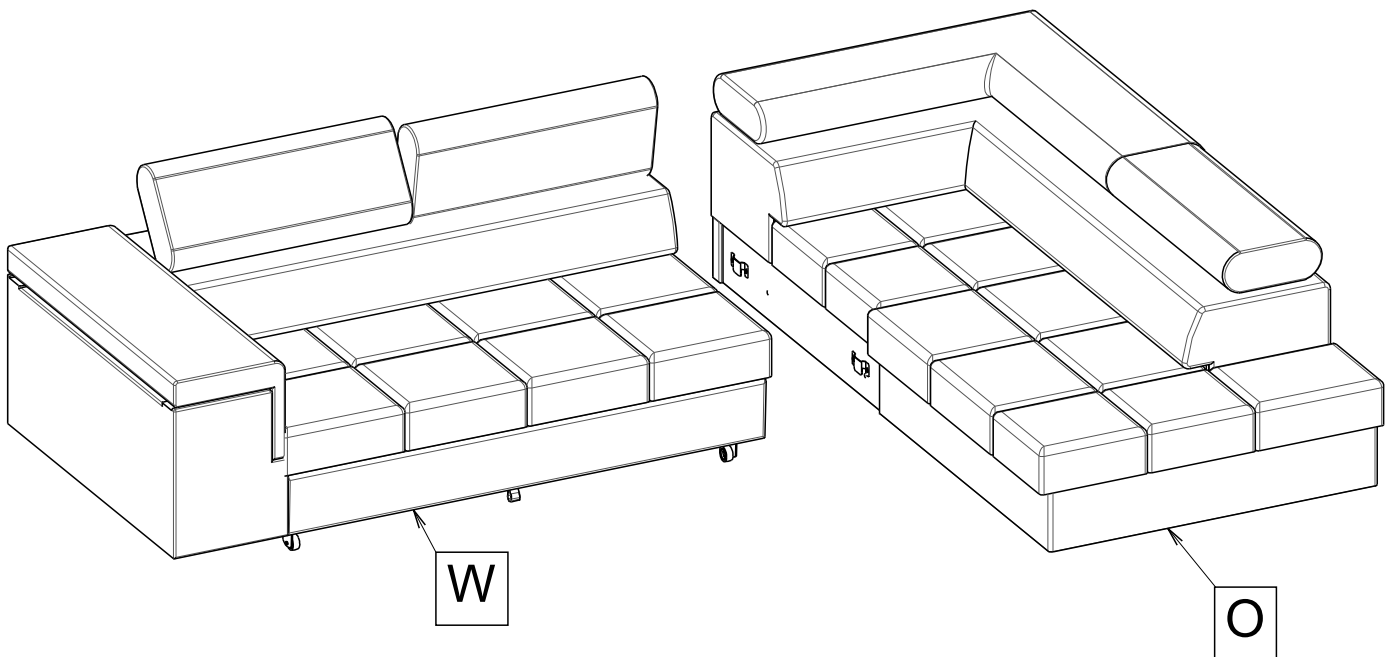
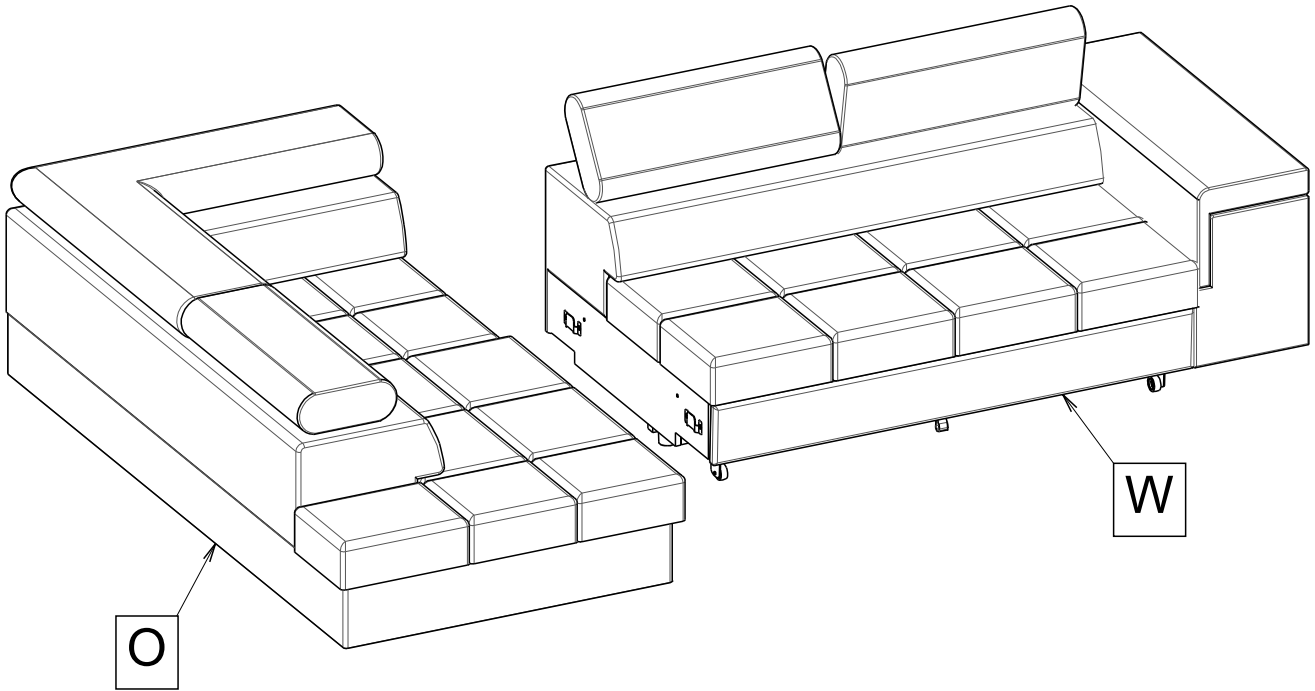


25min

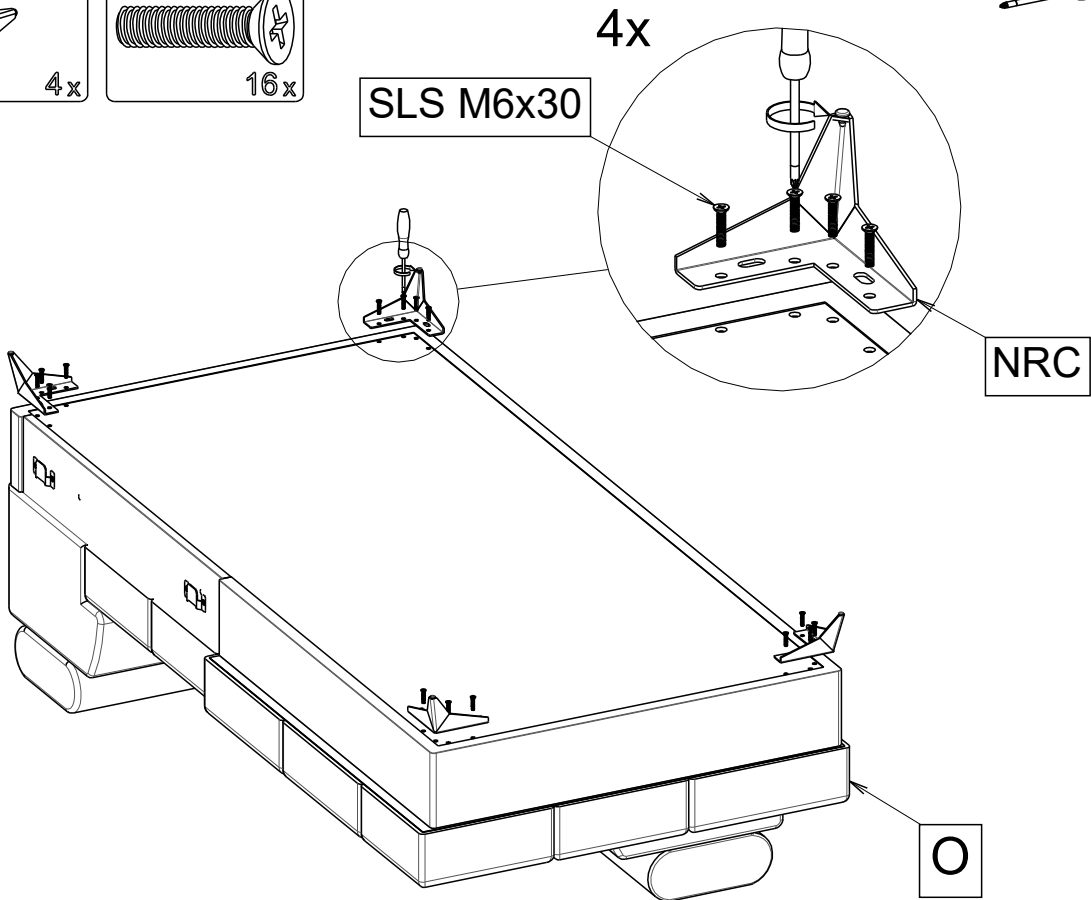
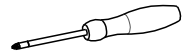
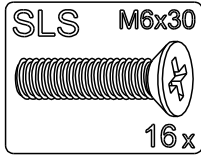
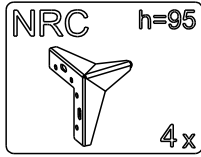
1/8



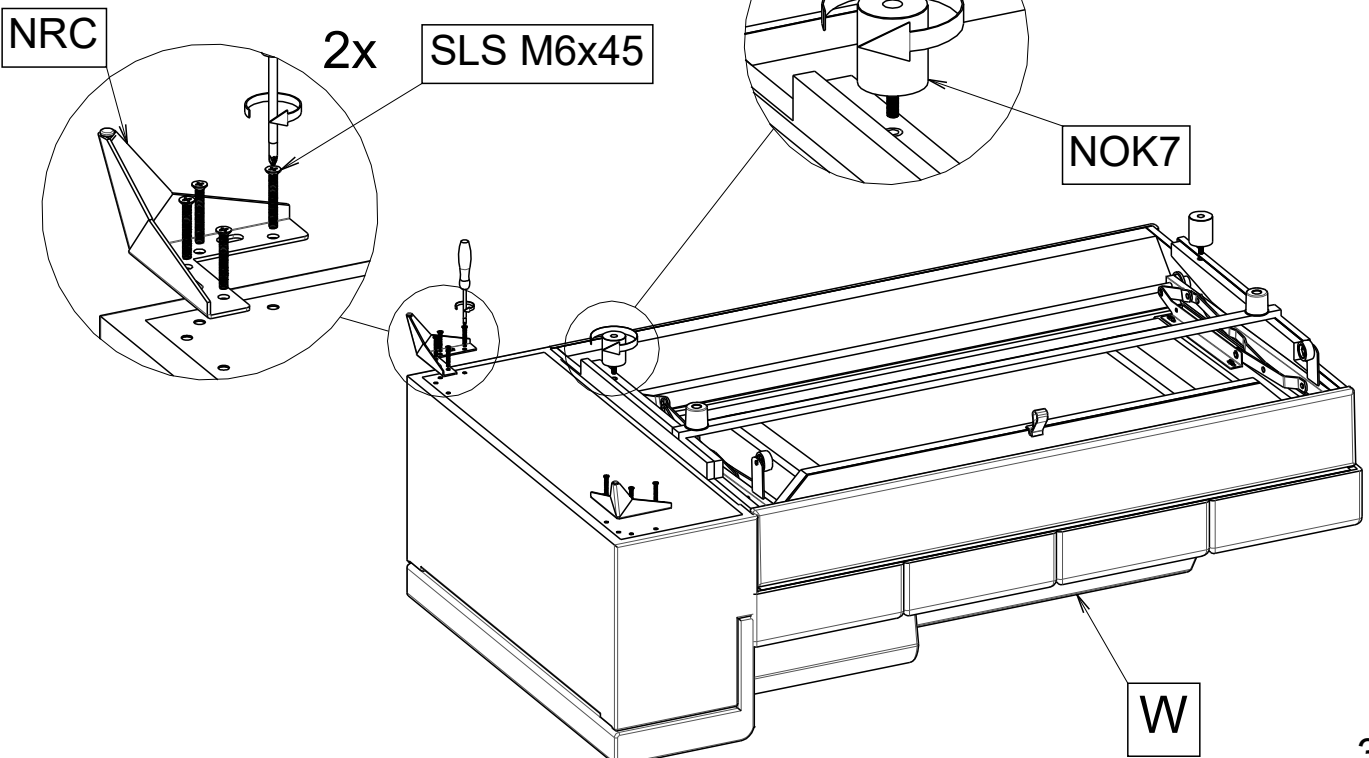
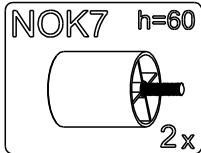
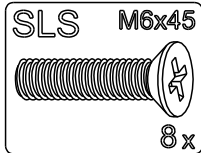
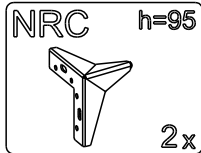
O	1x
W	1x



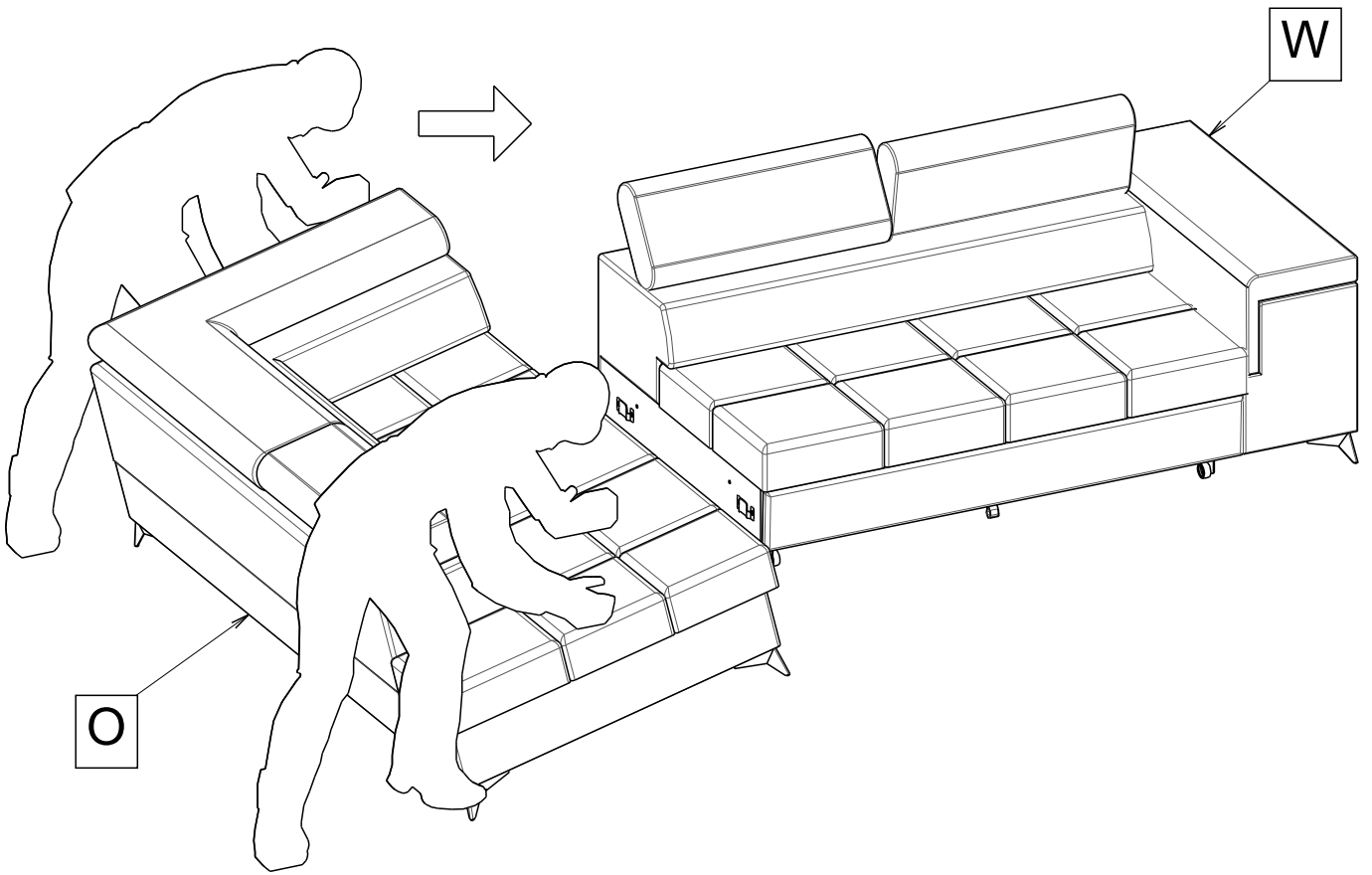
1



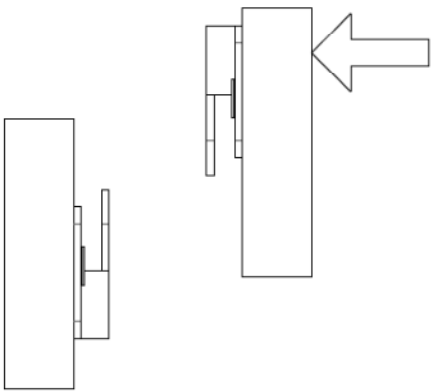
2



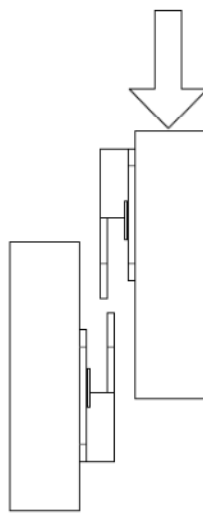
3



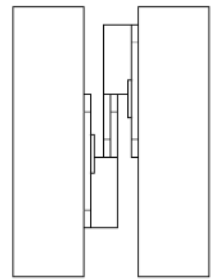
1)



2)

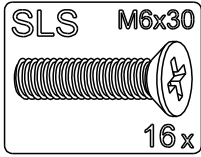
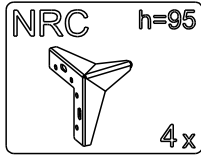


3)



RIGHT

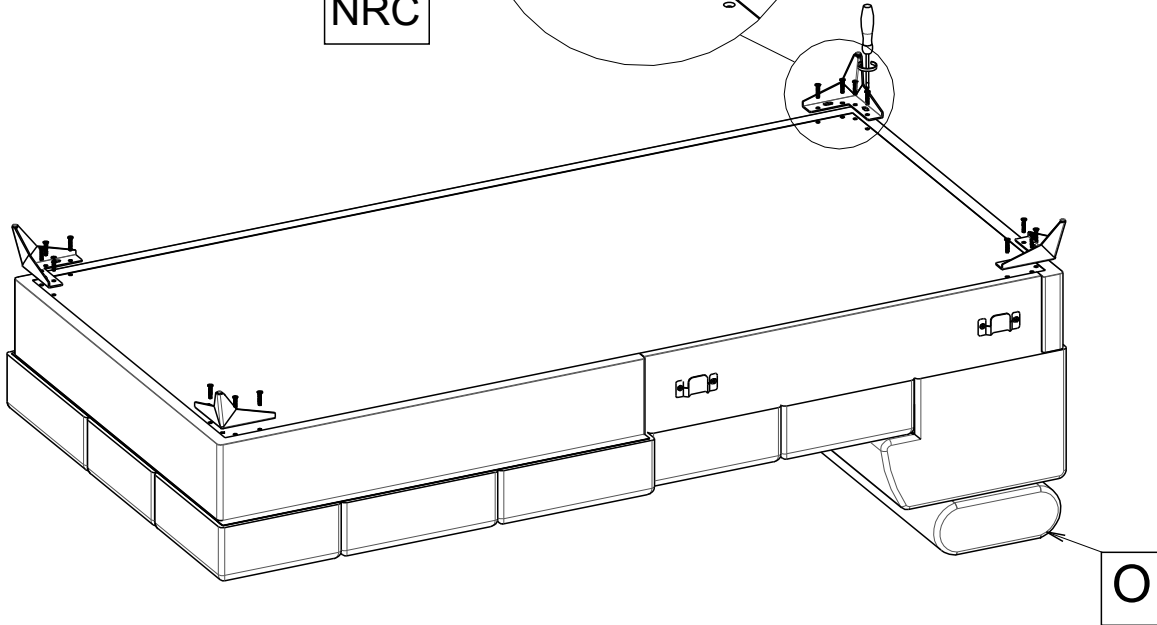
1



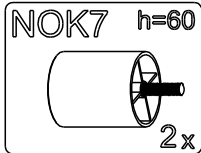
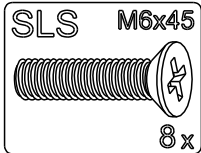
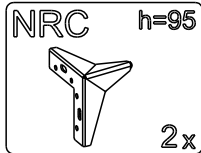
4x

SLS M6x30

NRC



2

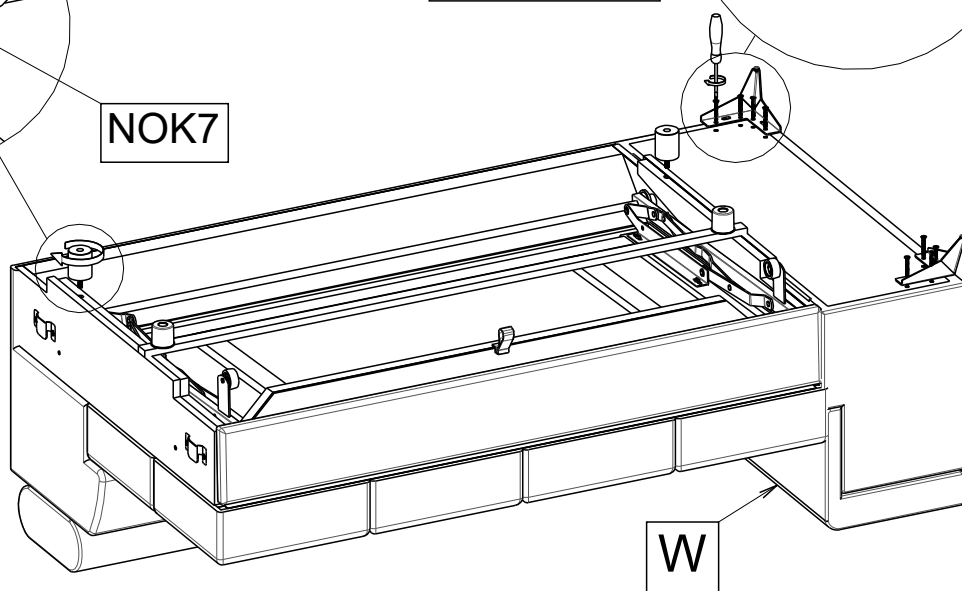
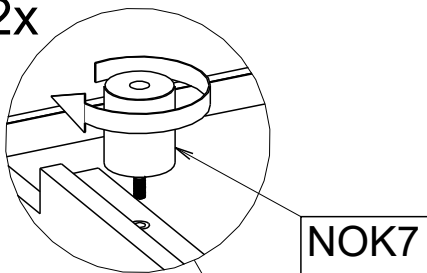


2x

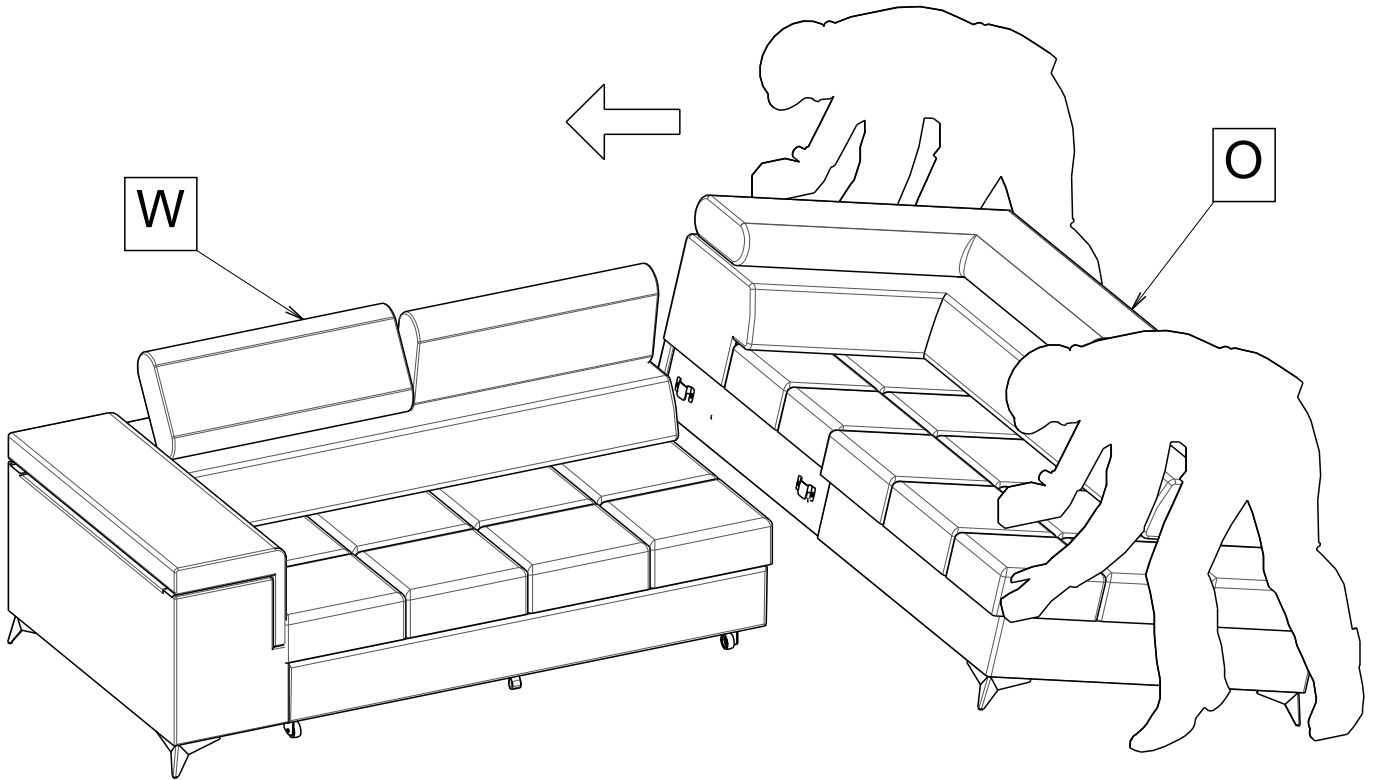
SLS M6x45

NRC

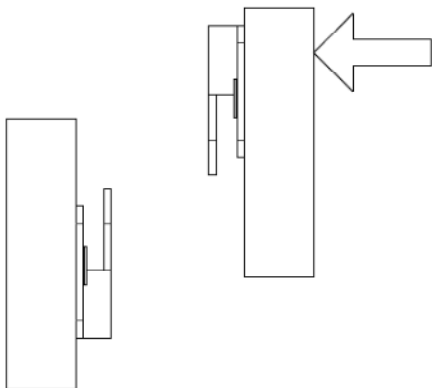
2x



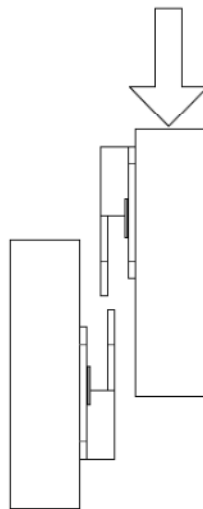
3



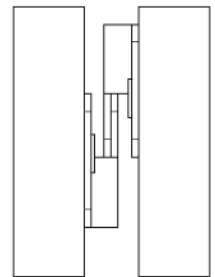
1)



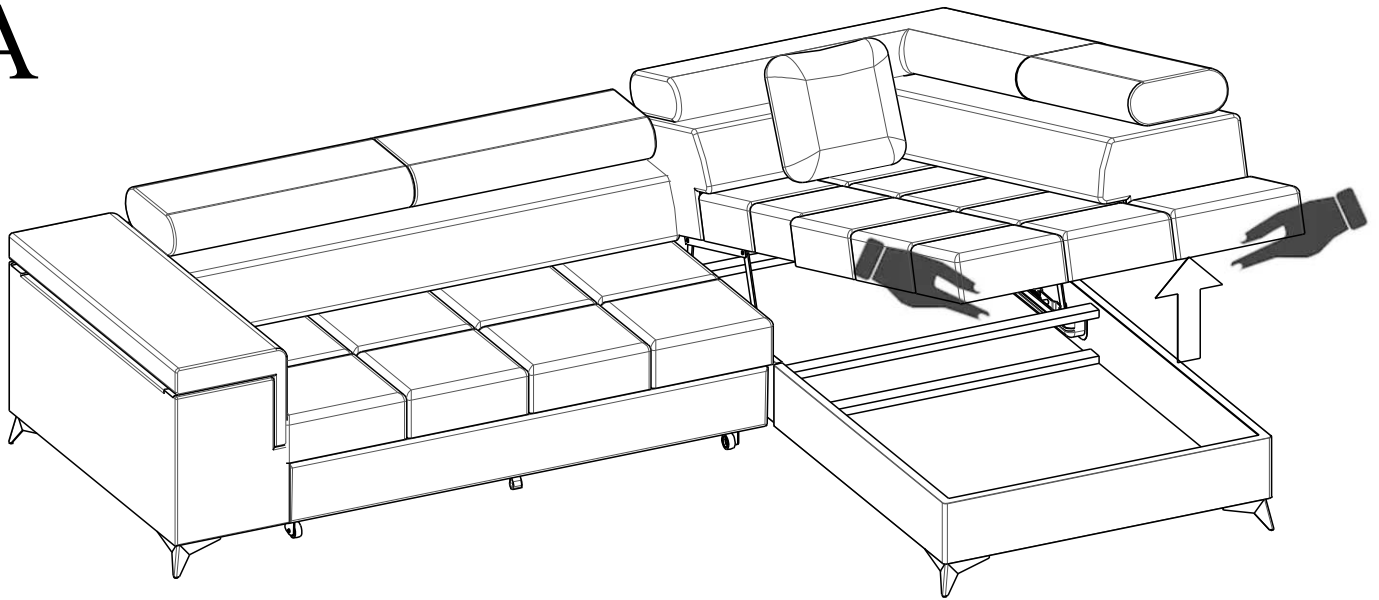
2)



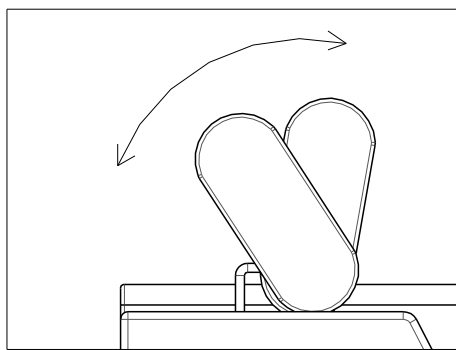
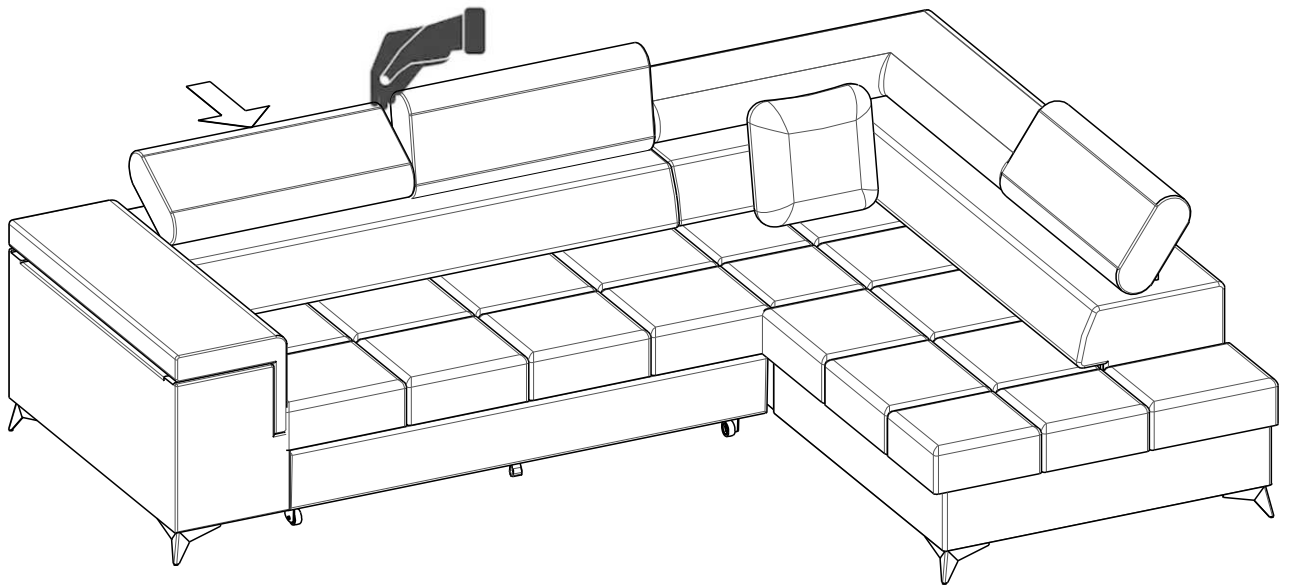
3)



A

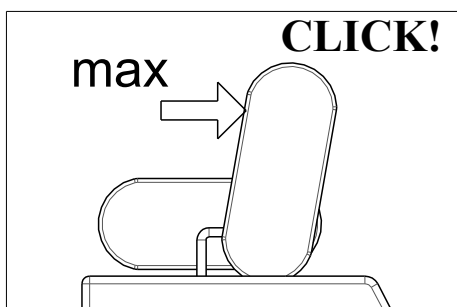


B

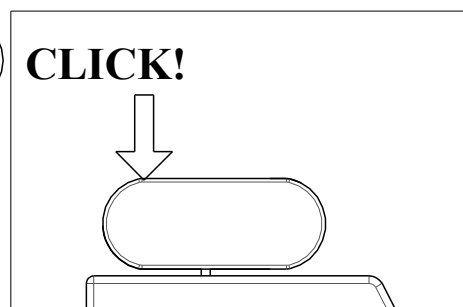


CLOSING

1



2



C

