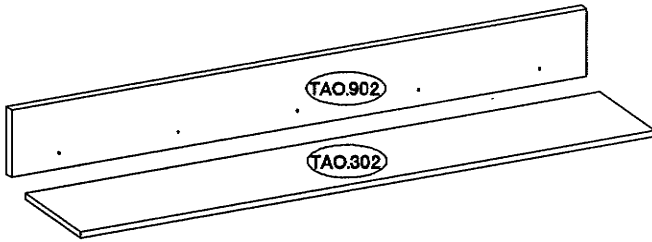
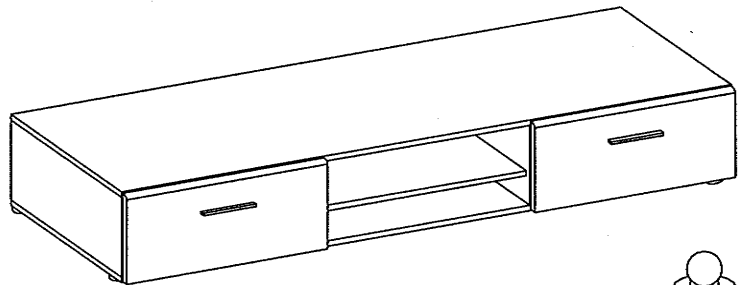
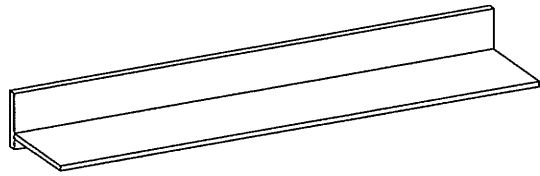


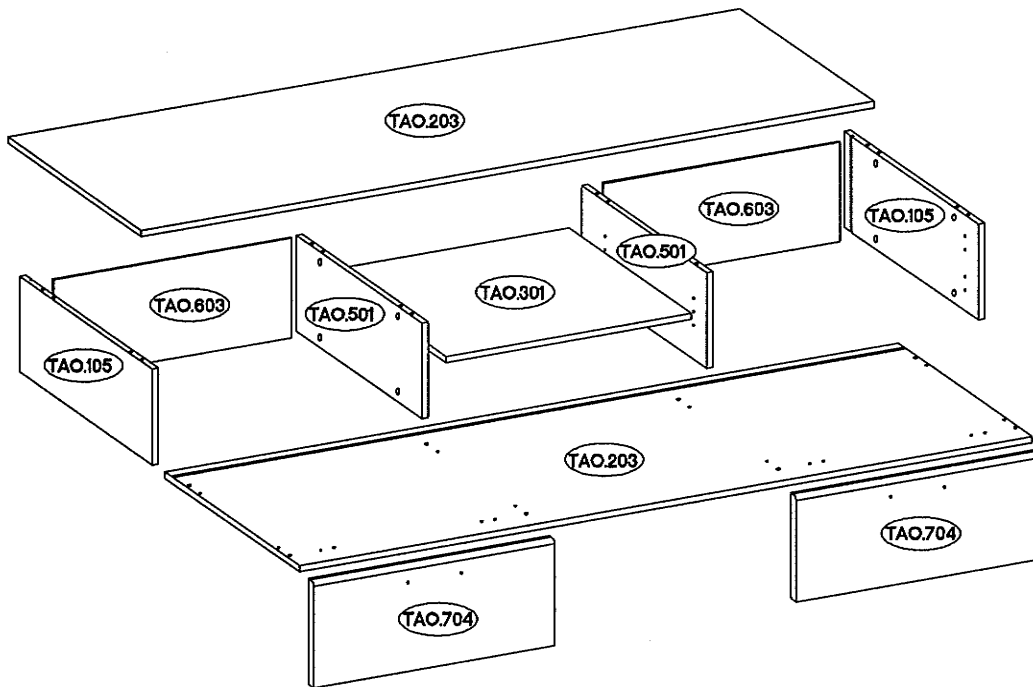
# TANGO 316



TAO.302 = max. 2kg




TAO.301 = max. 5kg

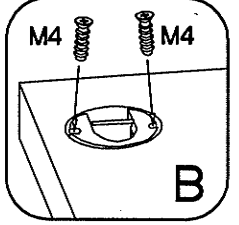
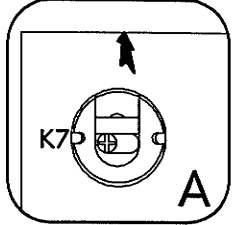
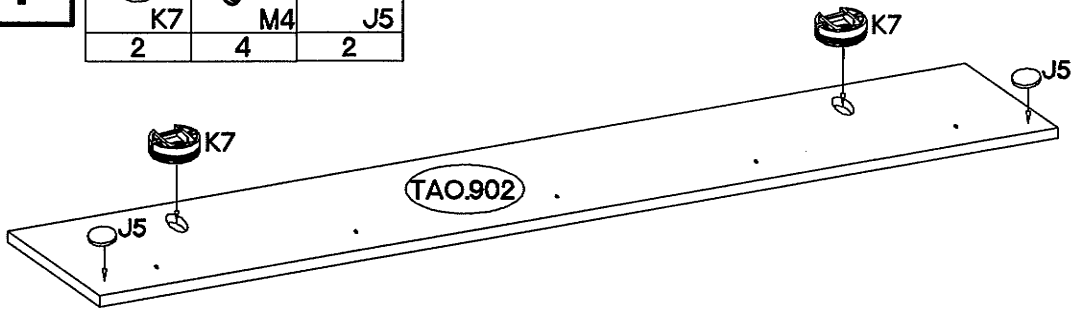
TAO.203 = max. 20kg




	H-0 4	135/0mm 4	3.5x13mm 8	K7 2	6.3x9mm 4	5/45mm 2	10x50mm 2	4x70mm 5	7/2mm 2	3.0x16mm 10	
L-20mm 16	15/12mm 16	18x30mm 16	L 4	E 16	F10 6	4.0x25mm 6	L-128mm 2	4.0x30mm 4	K13 2	J1 4	3.5x13mm 6

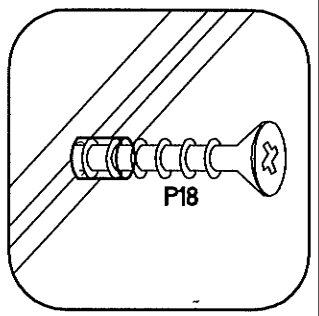
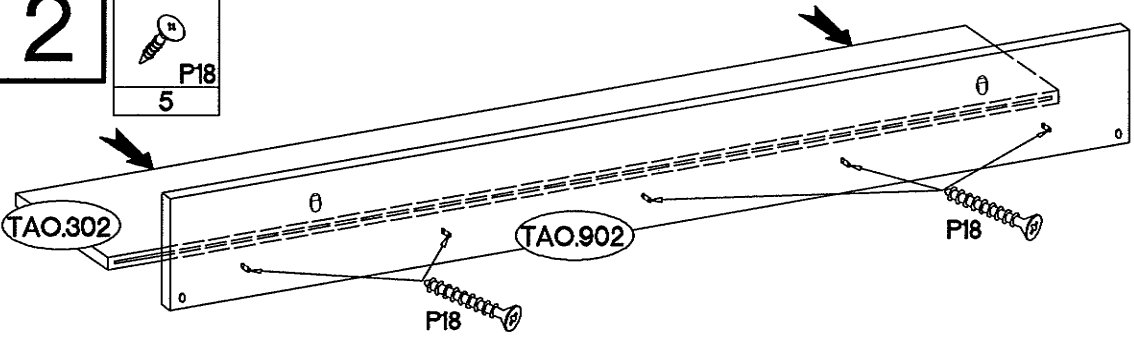
1

	+6,3x9mm 	+7/2mm 
K7	M4	J5
2	4	2

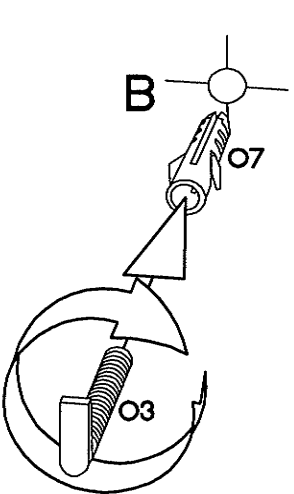
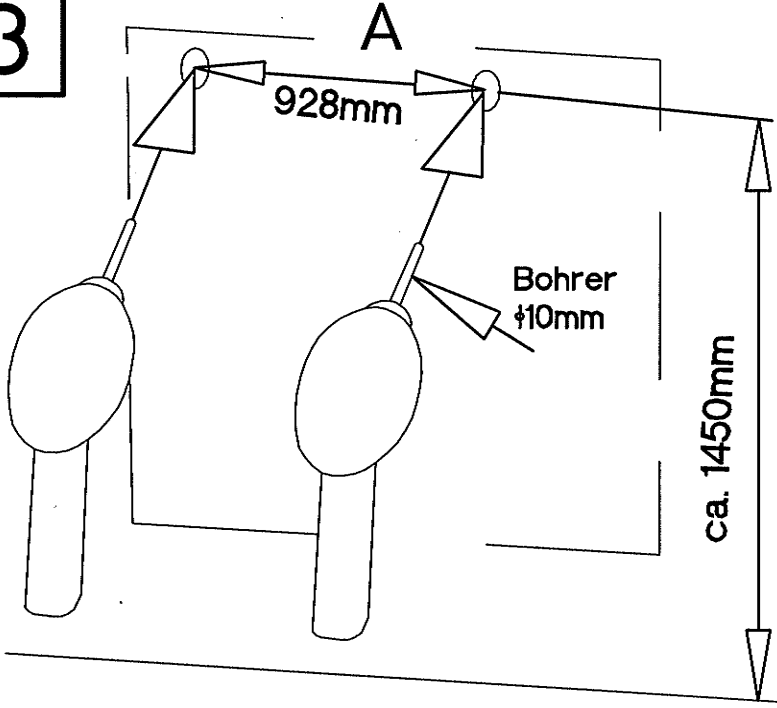




2

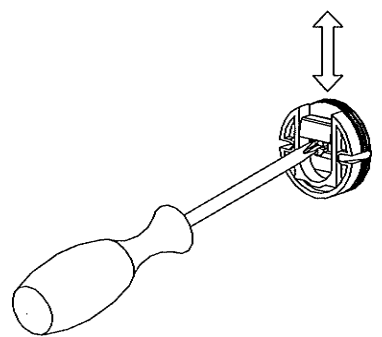
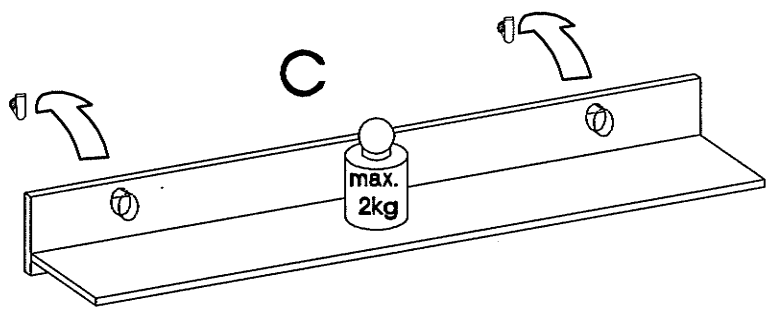
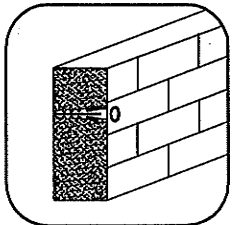
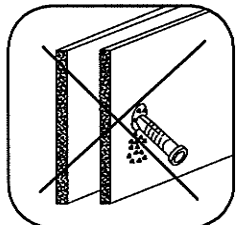
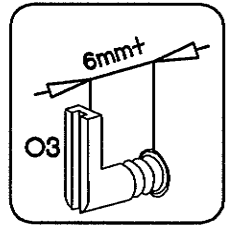
+4x70mm 
P18
5








3

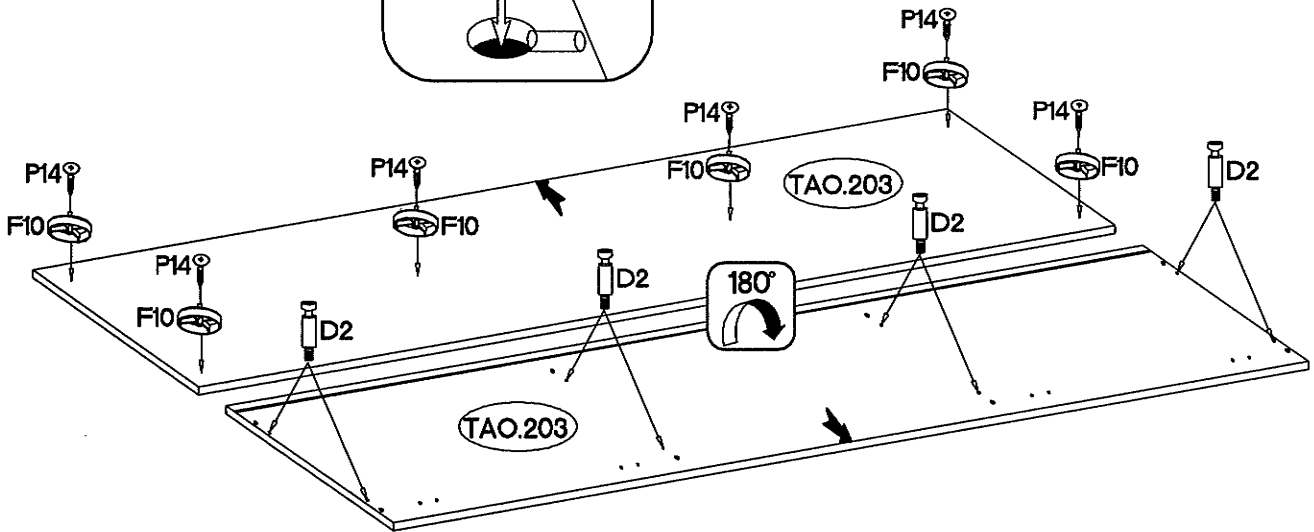
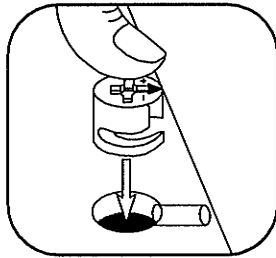
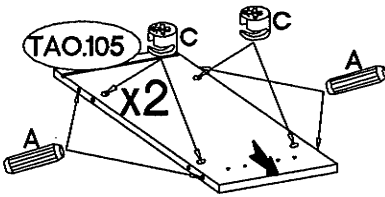
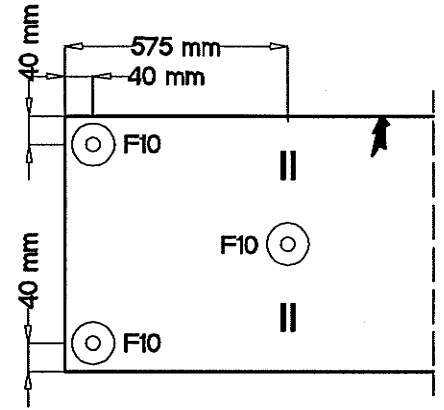
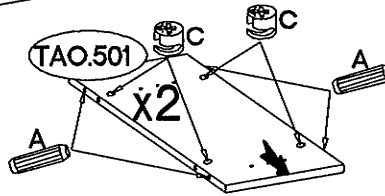
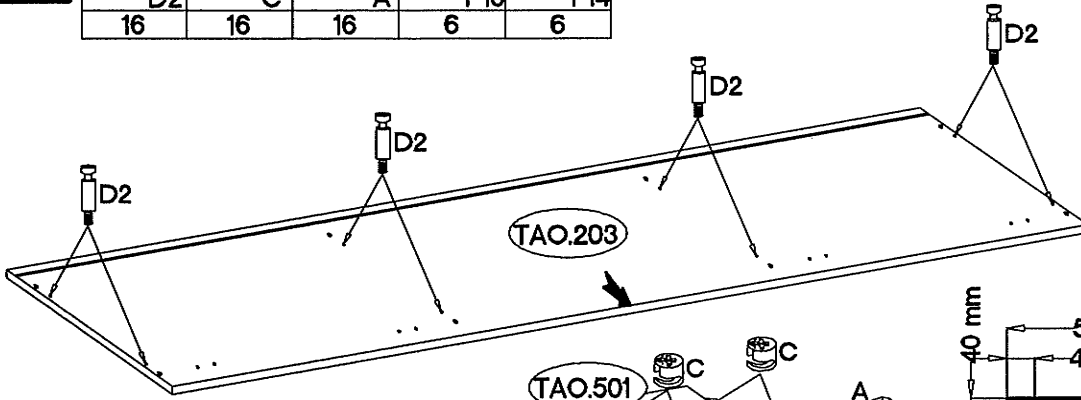
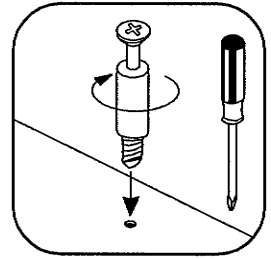


5/45mm 	+10x50mm 
O3	O7
2	2




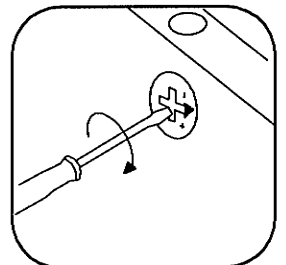
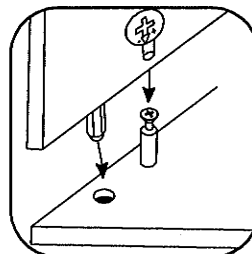
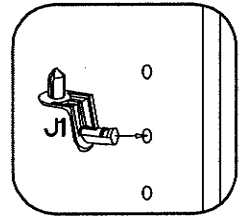
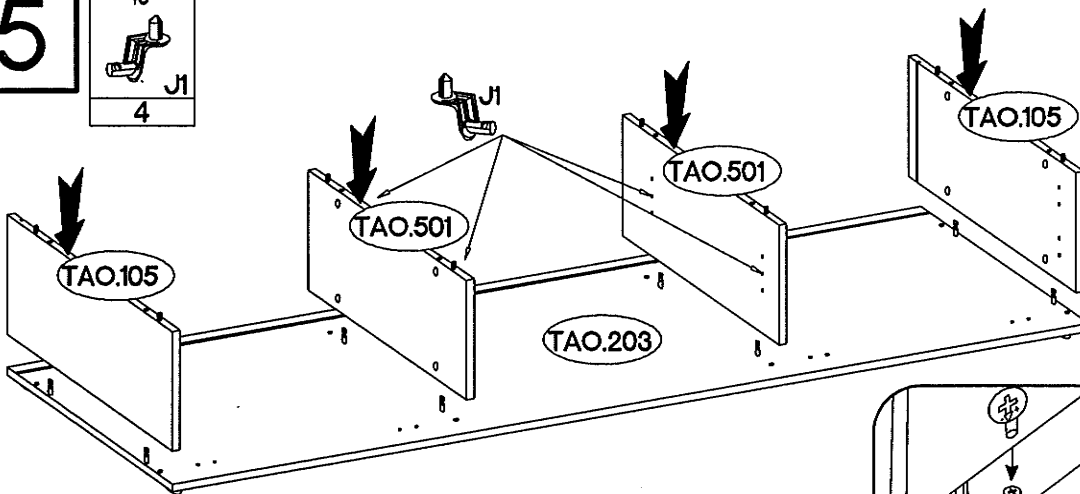
# 4

L-20mm  D2 16	15/12mm  C 16	18x30mm  A 16	 F10 6	14.0x25mm  P14 6
---	---	---	---	--

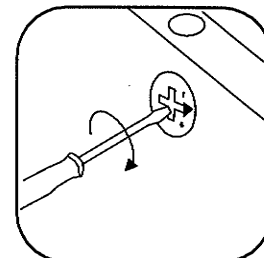
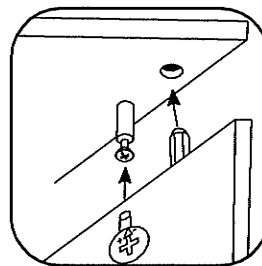
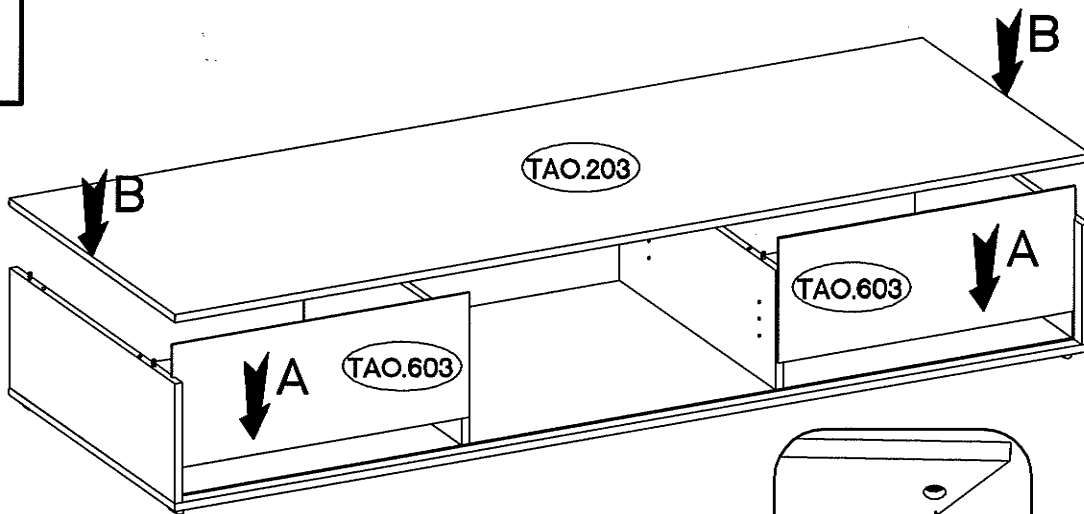


# 5

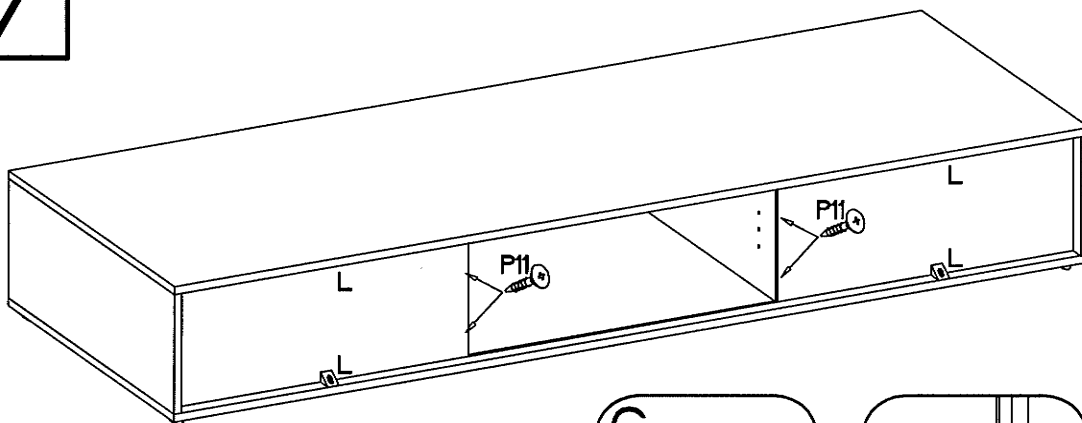
15  J1 4
--




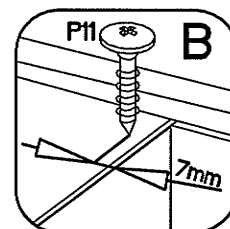
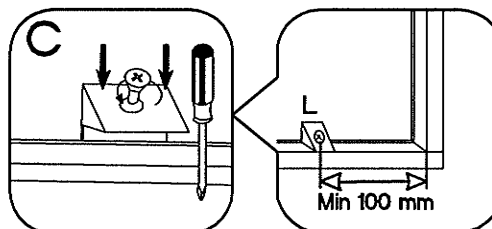
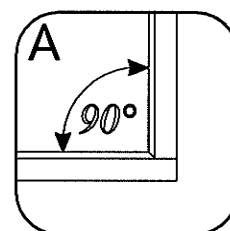
6



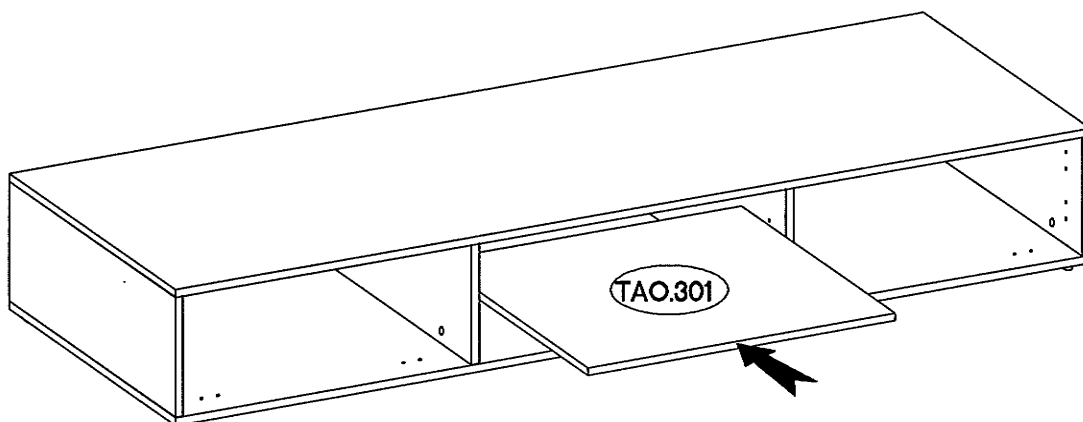
7








	3.0x16mm
L	P11
4	4

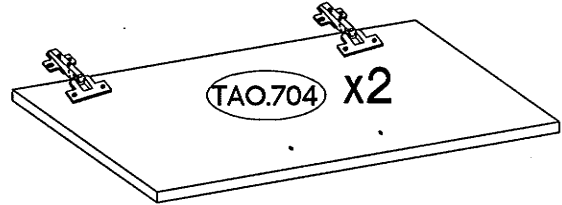
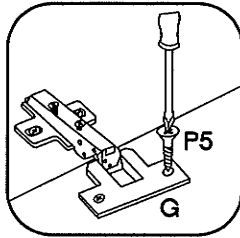
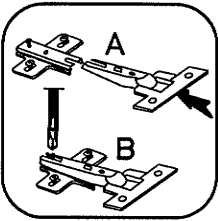
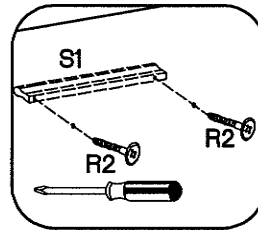


8





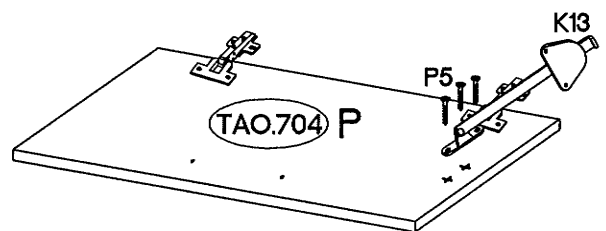
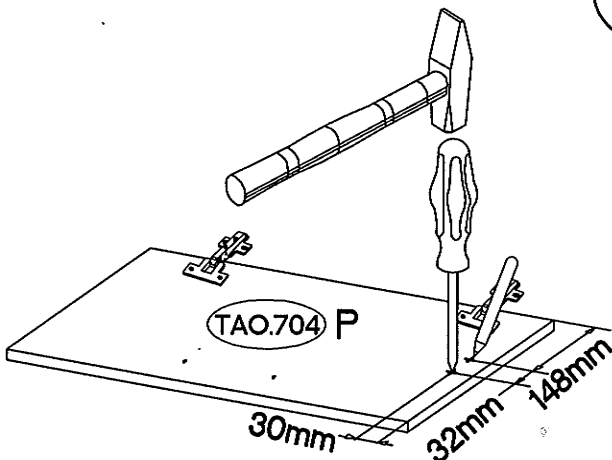
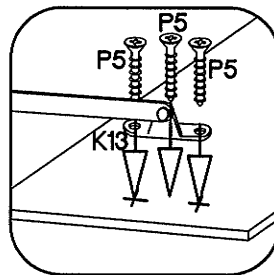
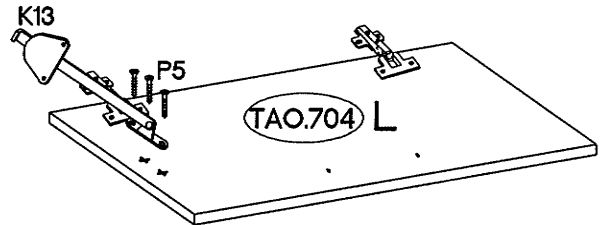
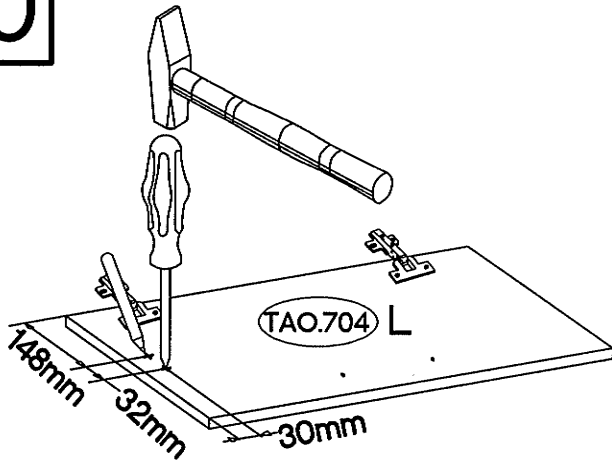
# 9

H=0  H	±35/0mm  G	±3.5x13mm  P5	L=128mm  S1	±4.0x30mm  R2
4	4	8	2	4




# 10

±3.5x13mm  P5	 K13
6	2



11

	3.0x16mm
E	P11
16	6

