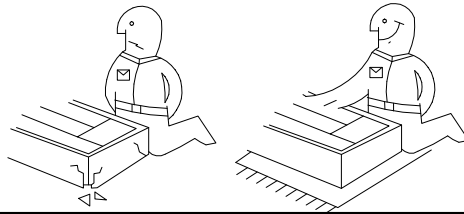
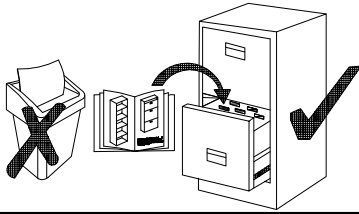
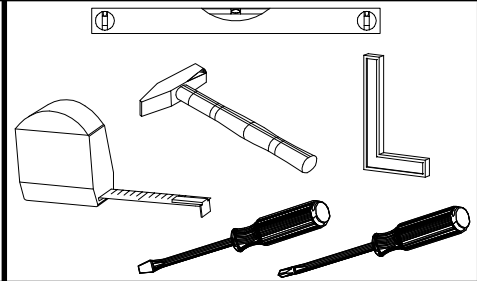
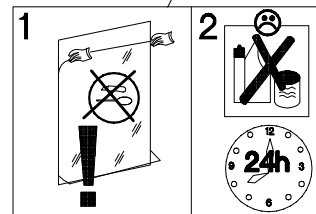
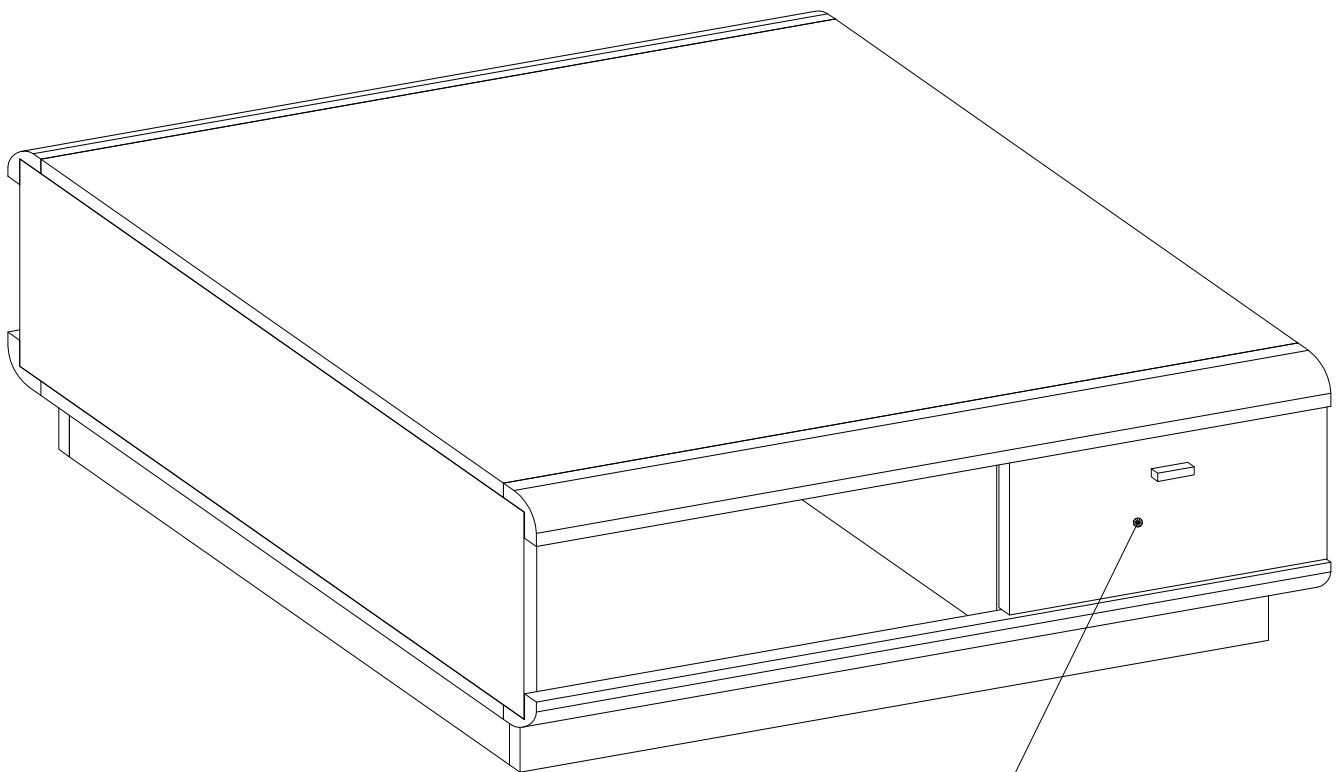



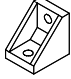


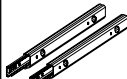


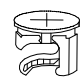
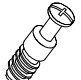
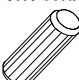

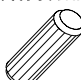



BERGEN

10




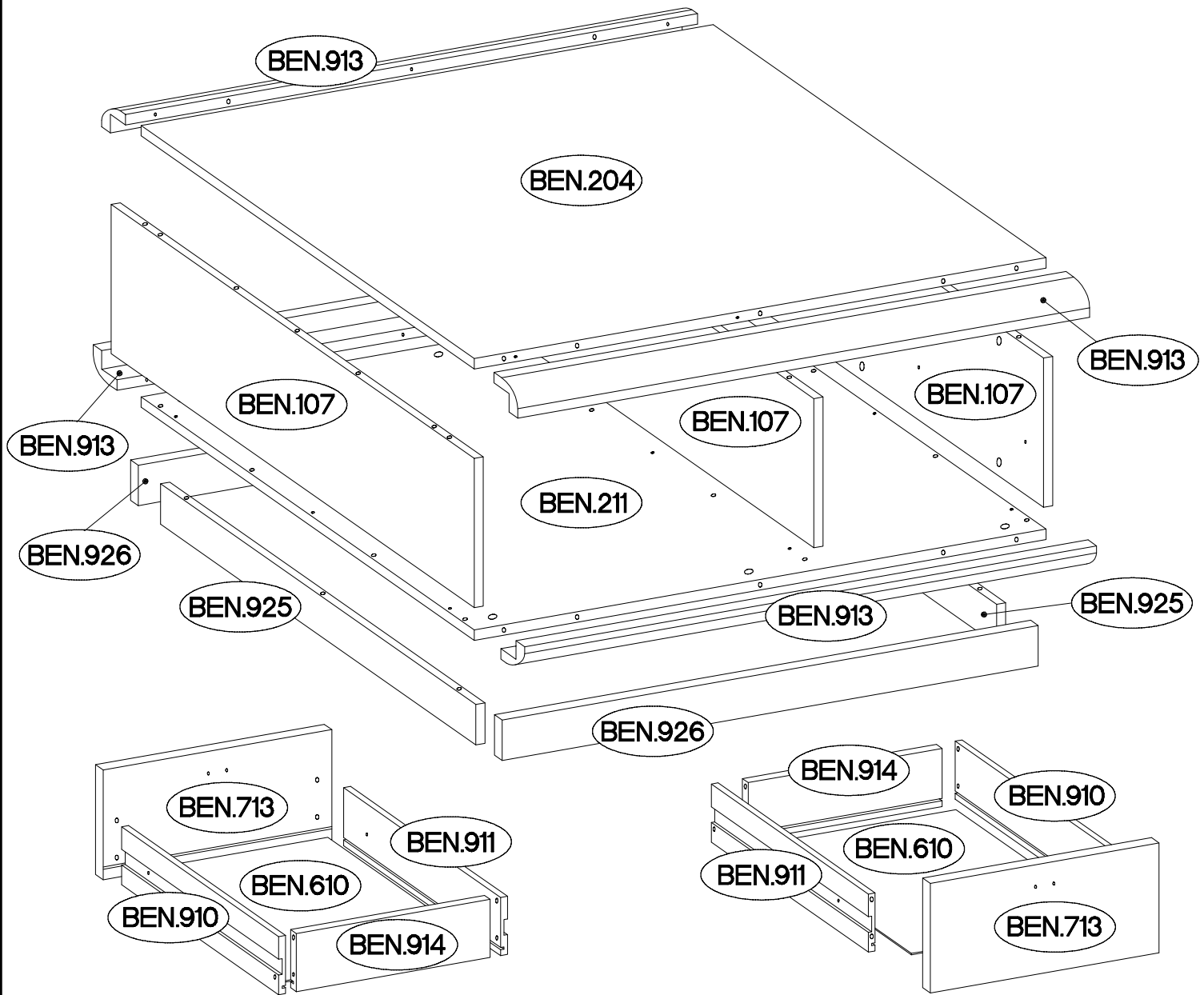
ARWH 10



	†15x5mm  F4 10	 T3 10	†4.0x16mm  P1 20	†6.3x13mm  M2 8	27/310mm  I4 2	†6x42mm  B2 4	M4x9mm  U1 4
†15/12mm  C 30	L=20mm  D2 30	†8x30mm  A 42	 E 30	†8x40mm  A5 8	0,05  O11 1	M4x22mm  U 4	L=32mm  S11 2

ISM-BEN-15

BEN.204 =  max. 10kg



Coli	Ersatzteil Nummer	Dimension
1/1	BEN.204	1000x700x18
	BEN.211	1000x700x18
	BEN.107	257x763x16 x3
	BEN.610	326x349x2,5 x2
	BEN.713	400x189x16 x2
	BEN.913	1000x50x50 x4
	BEN.910	330x100x12 x2
	BEN.911	330x100x12 x2
	BEN.914	339x100x12 x2
	BEN.925	666x70x16 x2
	BEN.926	942x70x16 x2

1

0,05 Leim O11	+8x30mm A
1	12

2

0,05 Leim O11	
1 +6x42mm B2	
4	


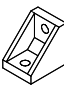

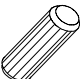

3

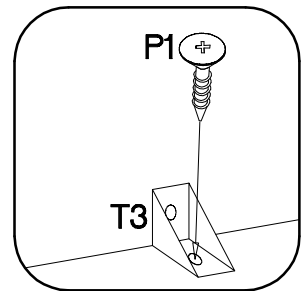
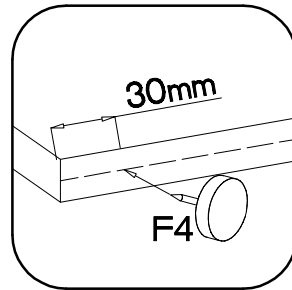
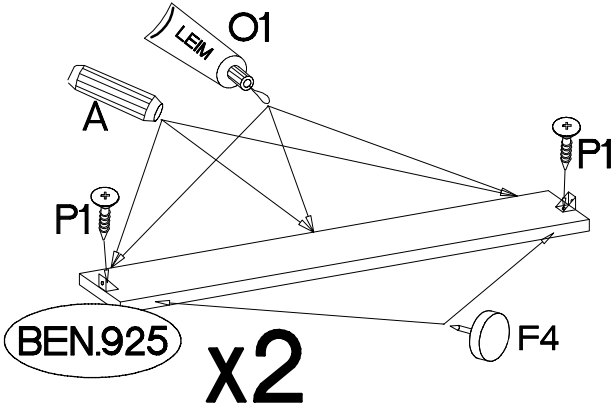
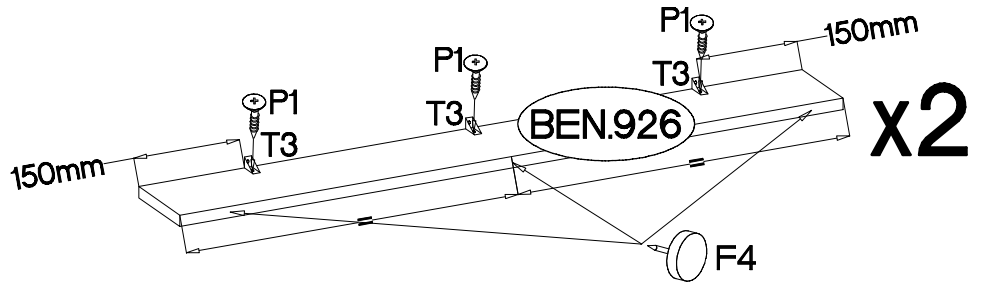
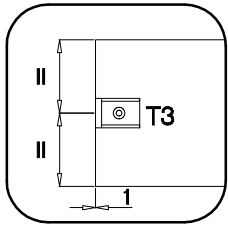
0,05 Leim O11	
1	

30min.

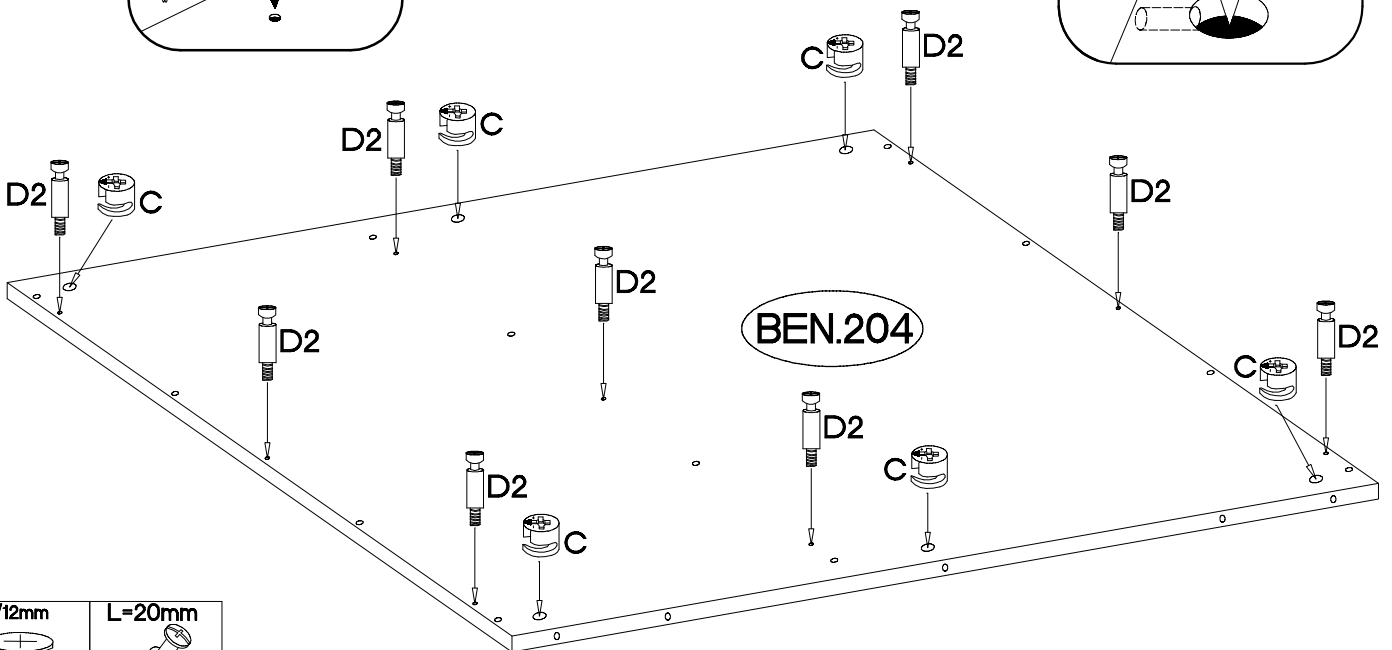
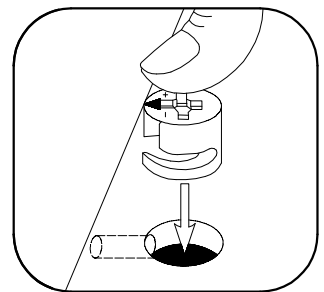
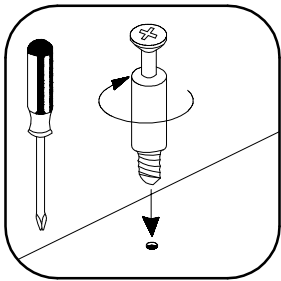
A=B



4

†15x5mm  F4	 T3	†4.0x16mm  P1	†8x30mm  A	 O1
10	10	10	6	1

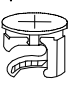



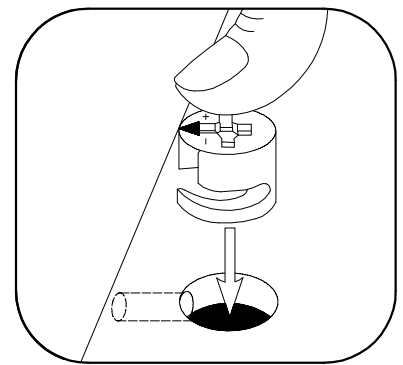
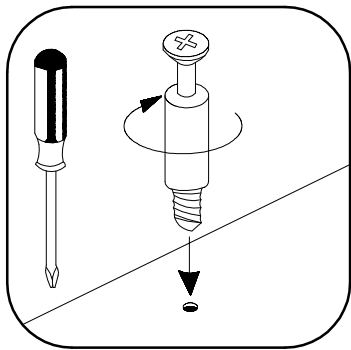
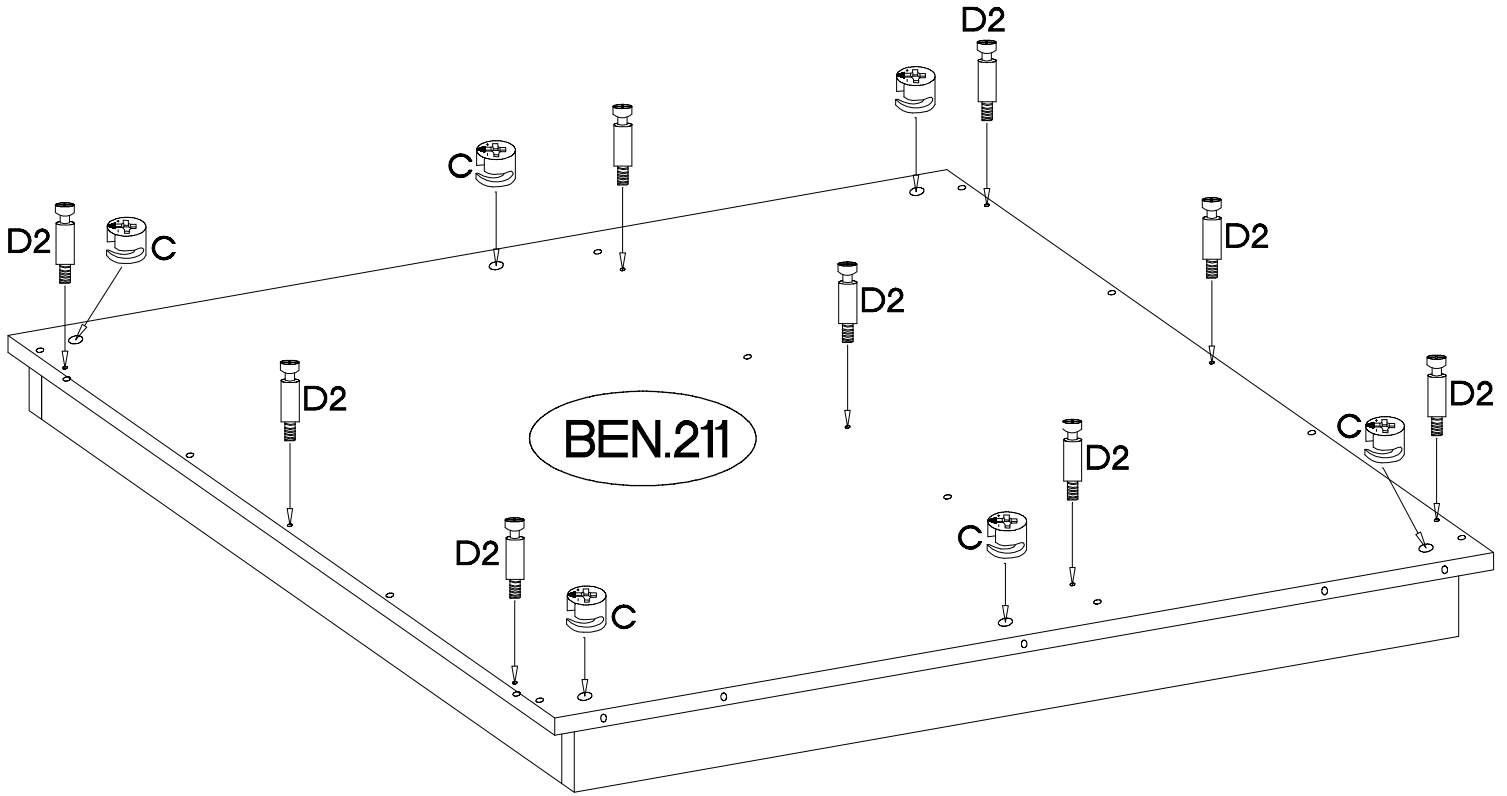
5





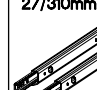
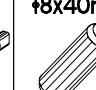


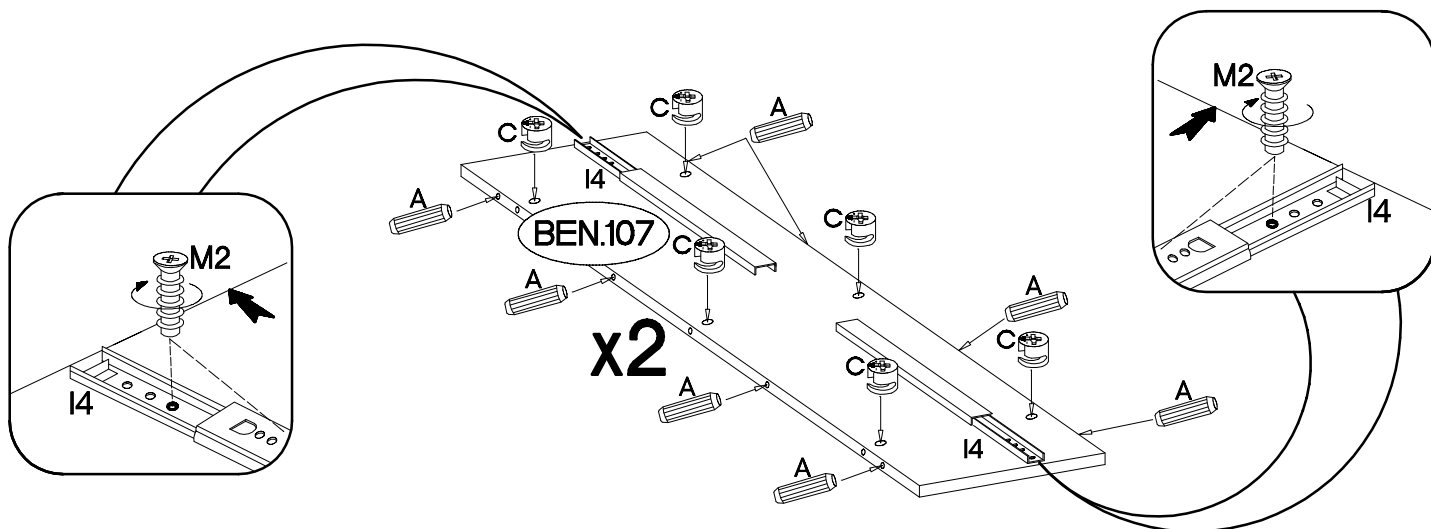
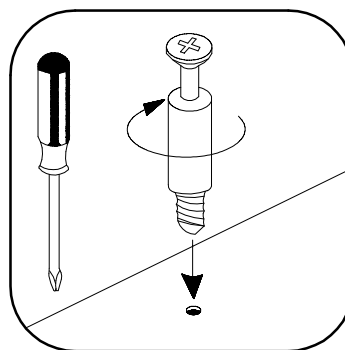
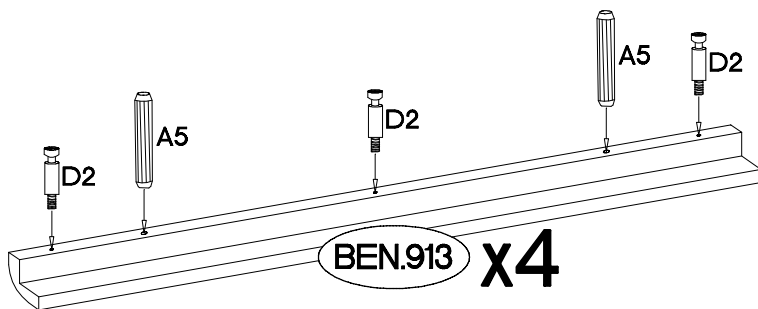
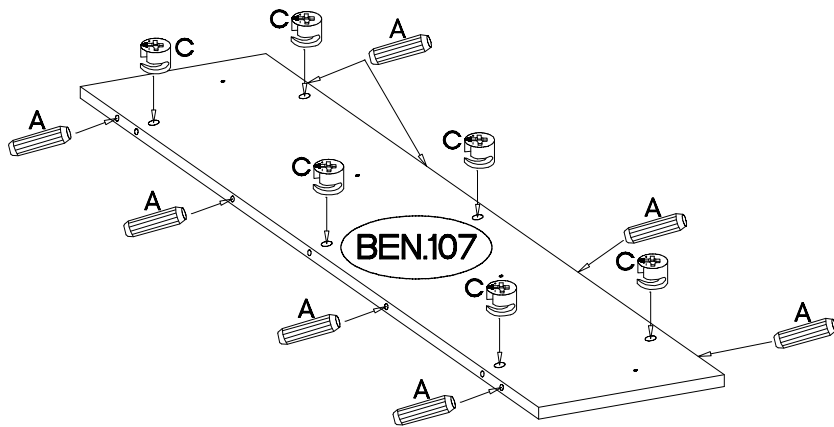
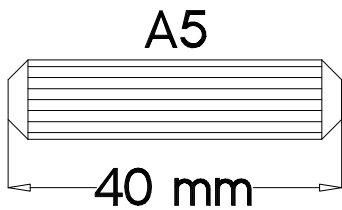
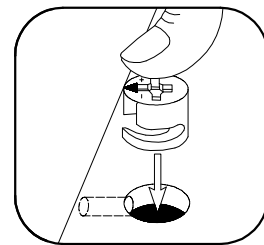
†15/12mm  C	L=20mm  D2
6	9

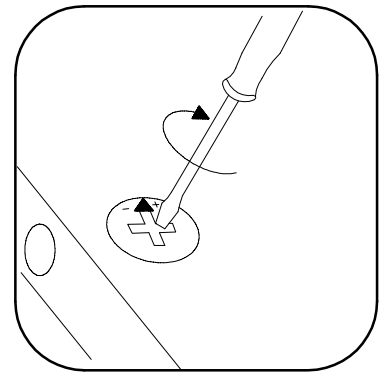
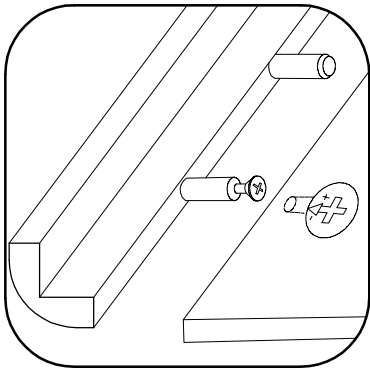
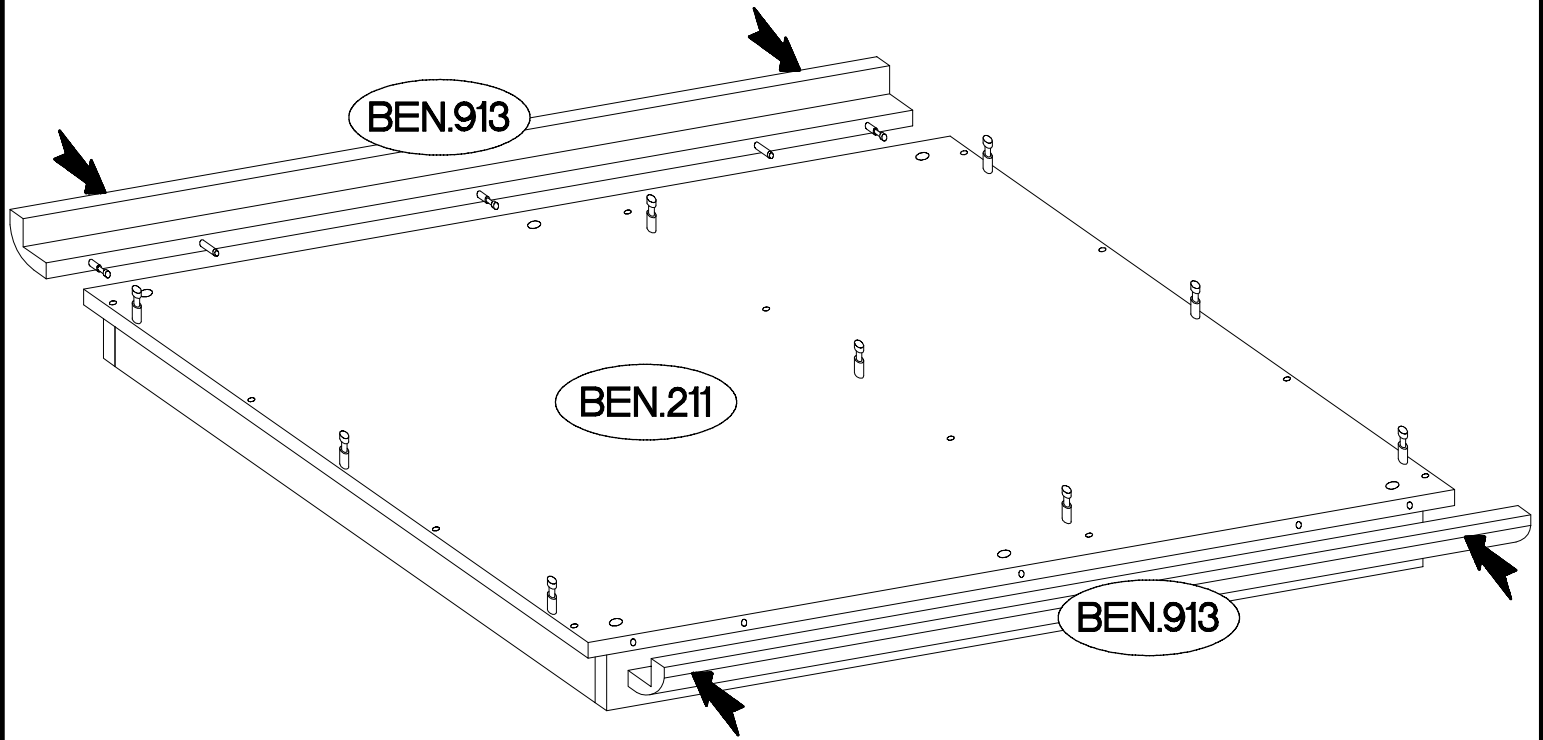
7

 #15/12mm C	 L=20mm D2
6	9

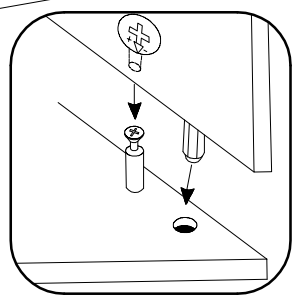
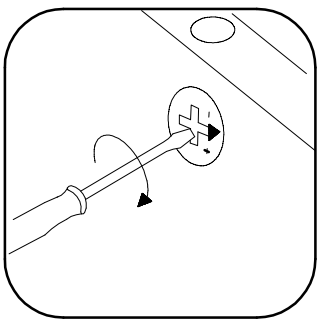
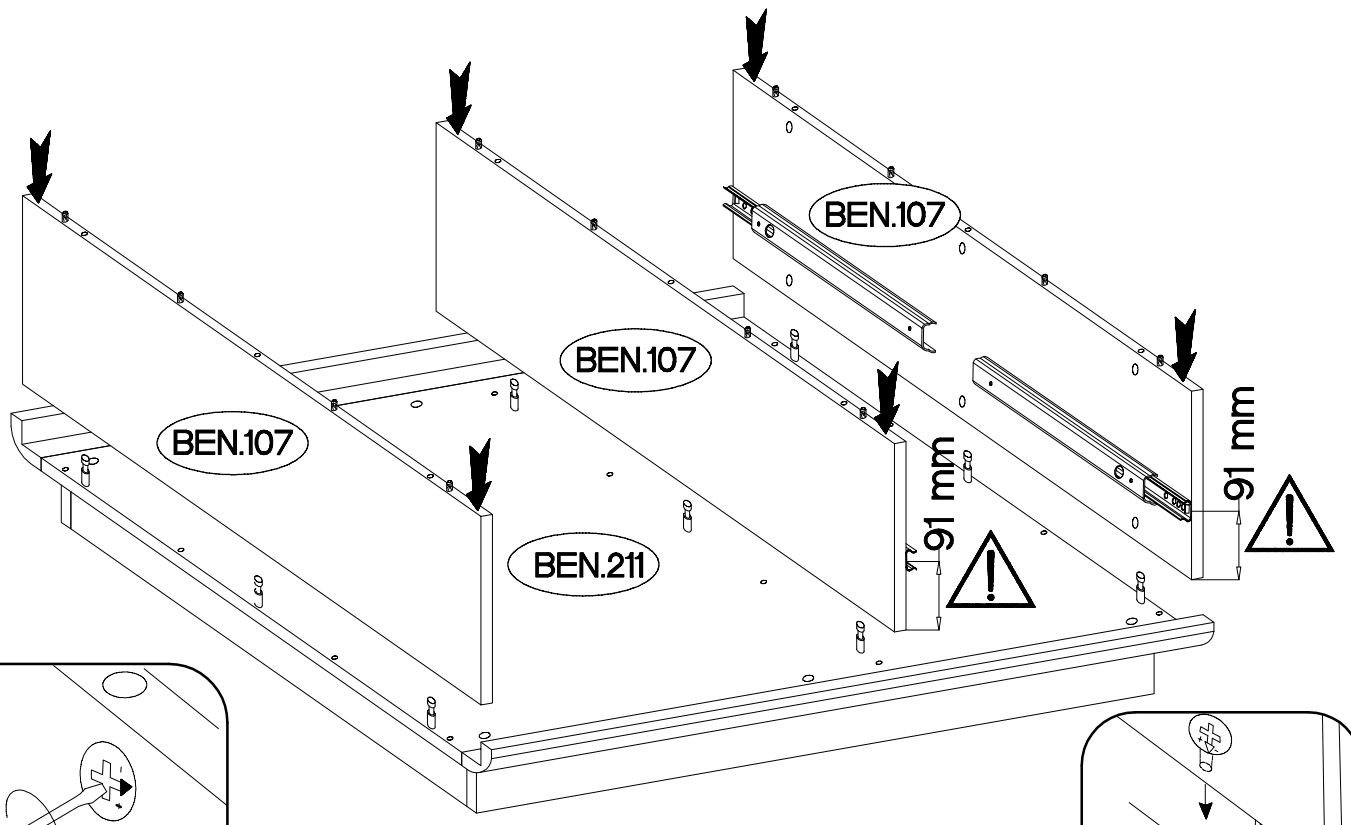


 C	 D2	 A	 M2	 I4	 A5
18	12	24	8	2	8

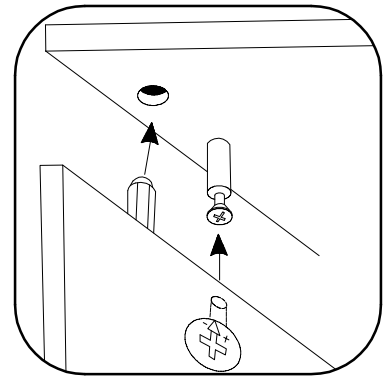
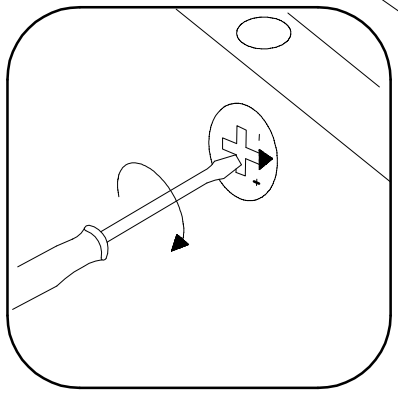
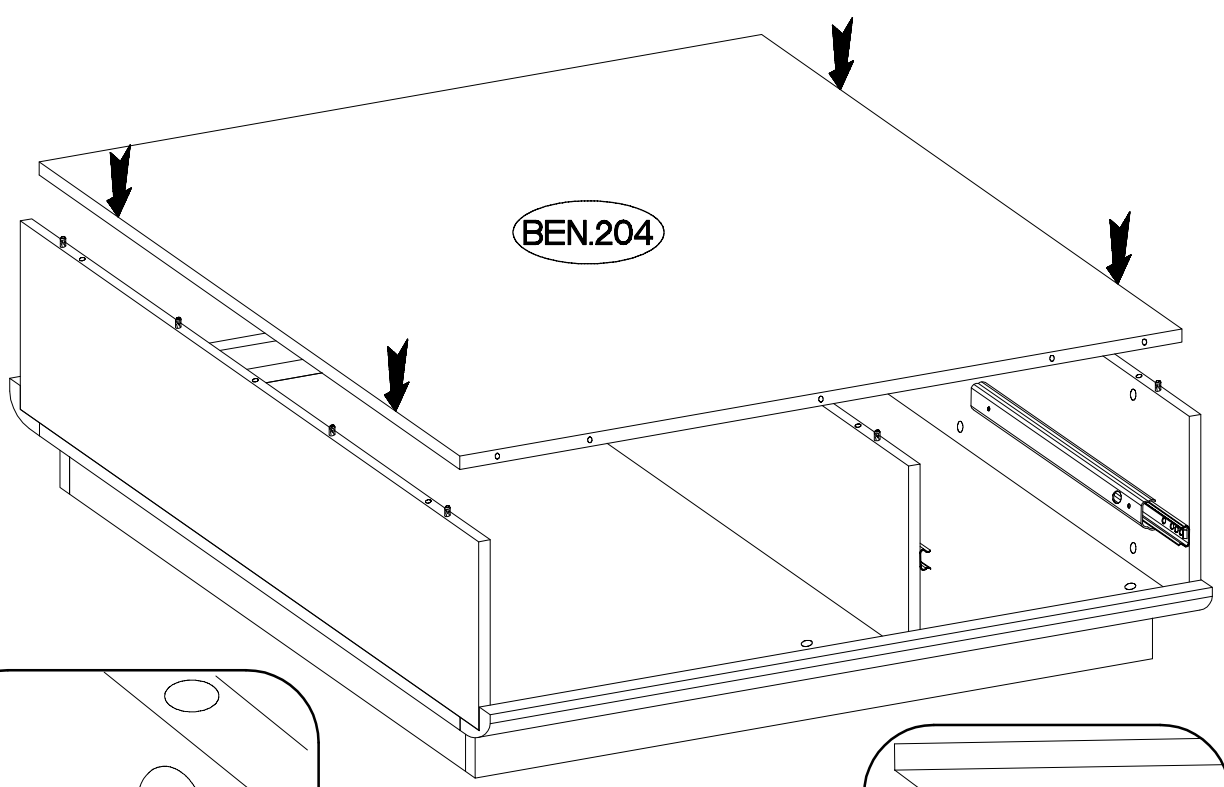




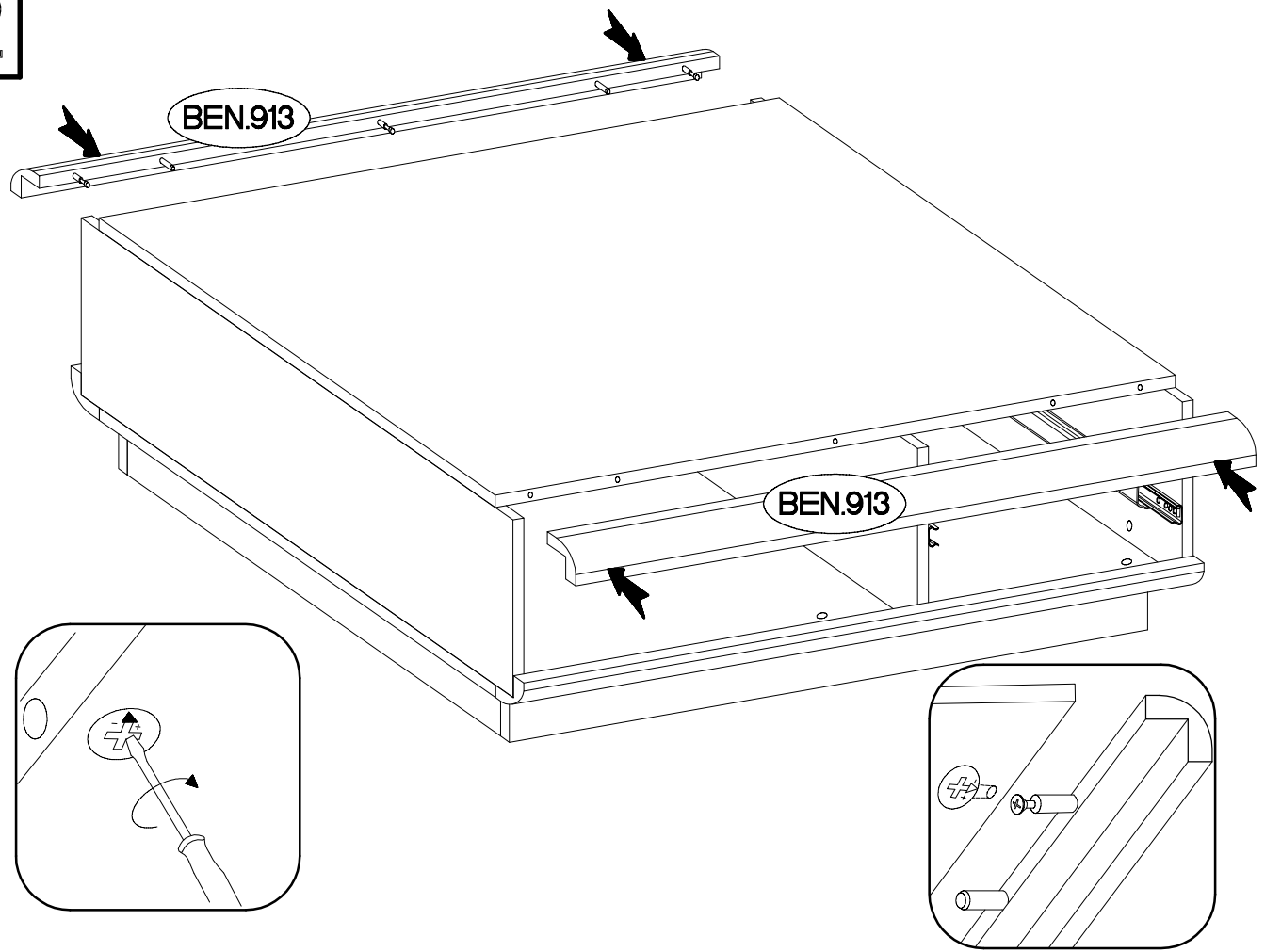
10



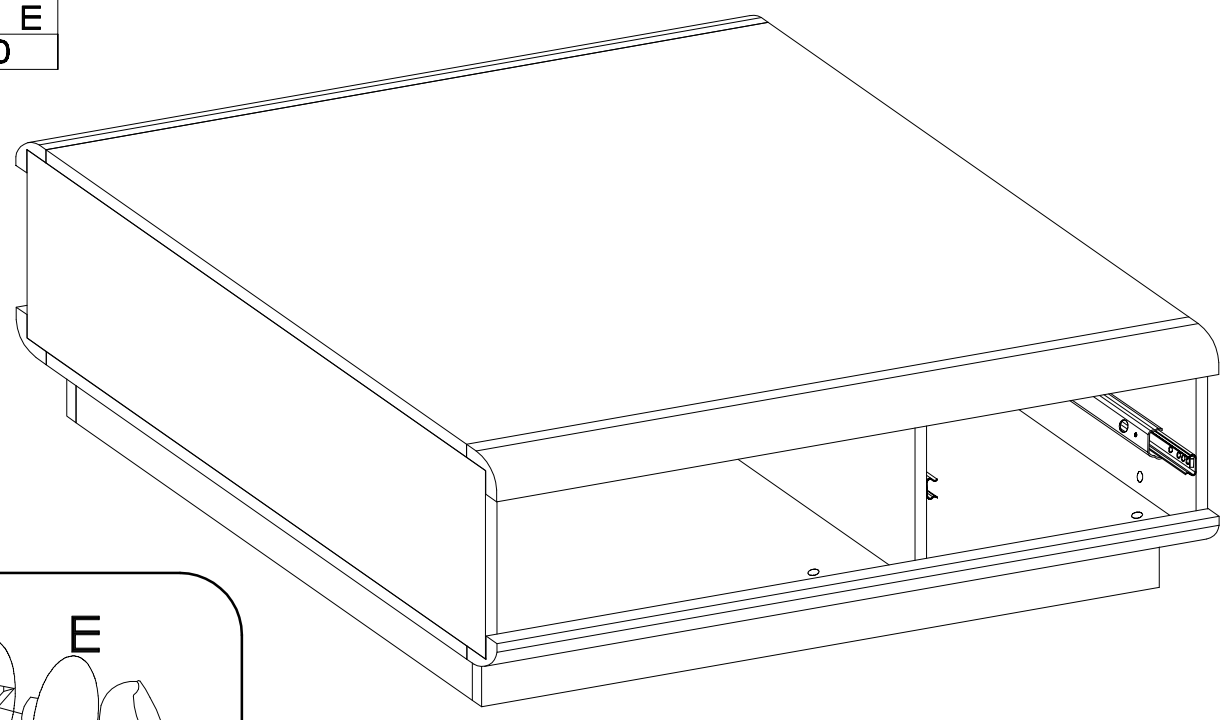
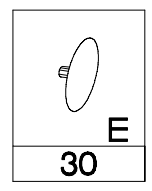
11


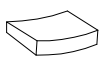



12



13



M4x22mm  U 4	L=32mm  S11 2	M4x9mm  U1 4
---	--	---

