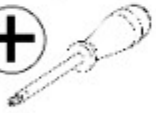
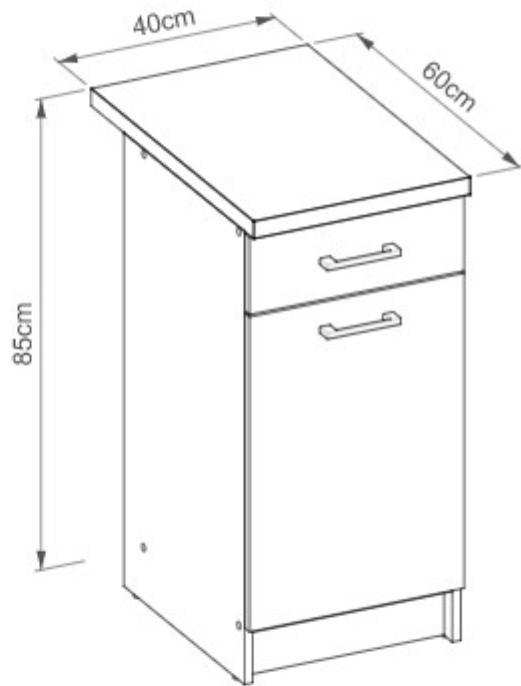
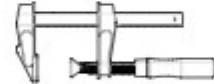


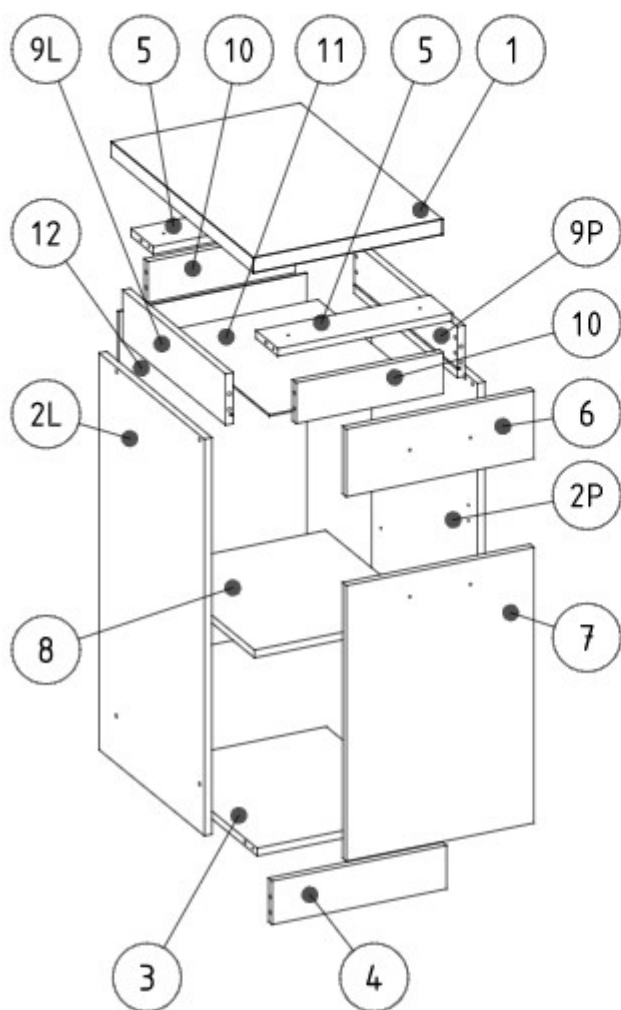


~80 min

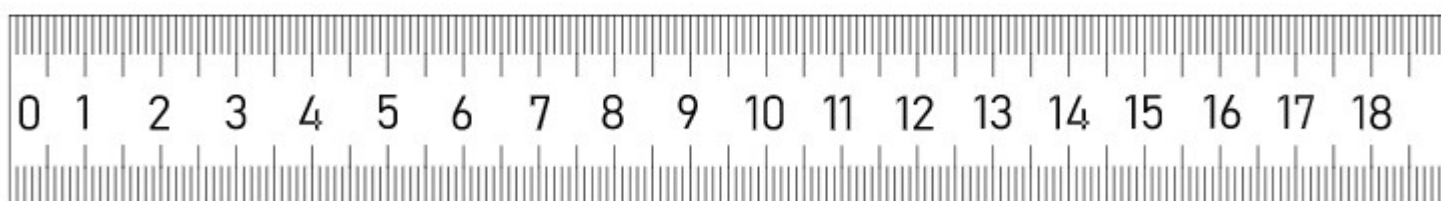
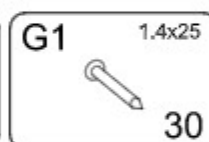
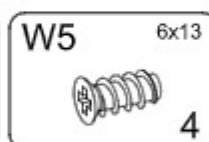
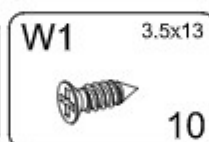
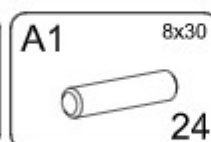
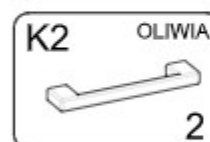
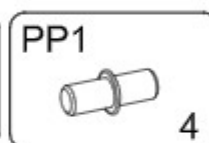
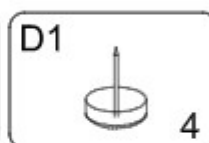
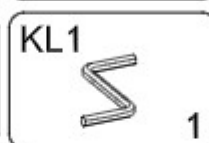
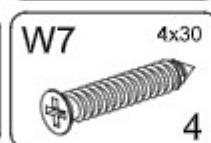
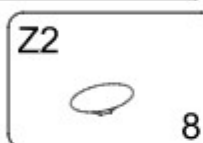
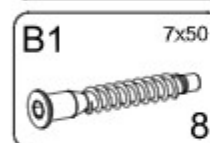
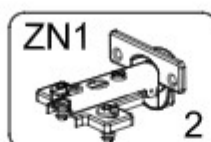
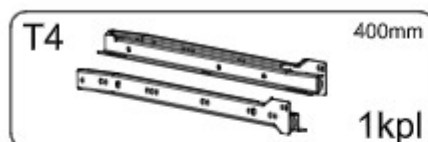


Ø 5mm





1	600x400x32mm	1
2L	820x445x16mm	1
2P	820x445x16mm	1
3	444x368x16mm	1
4	368x90x16mm	1
5	368x93x16mm	2
6	396x140x16mm	1
7	570x396x16mm	1
8	368x435x16mm	1
9L	435x105,5x16mm	1
9P	435x105,5x16mm	1
10	310x84,5x16mm	2
11	435x320x3mm	1
12	728x397x3mm	1

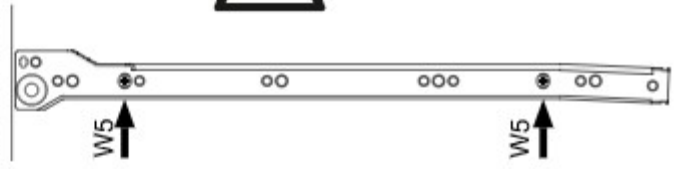
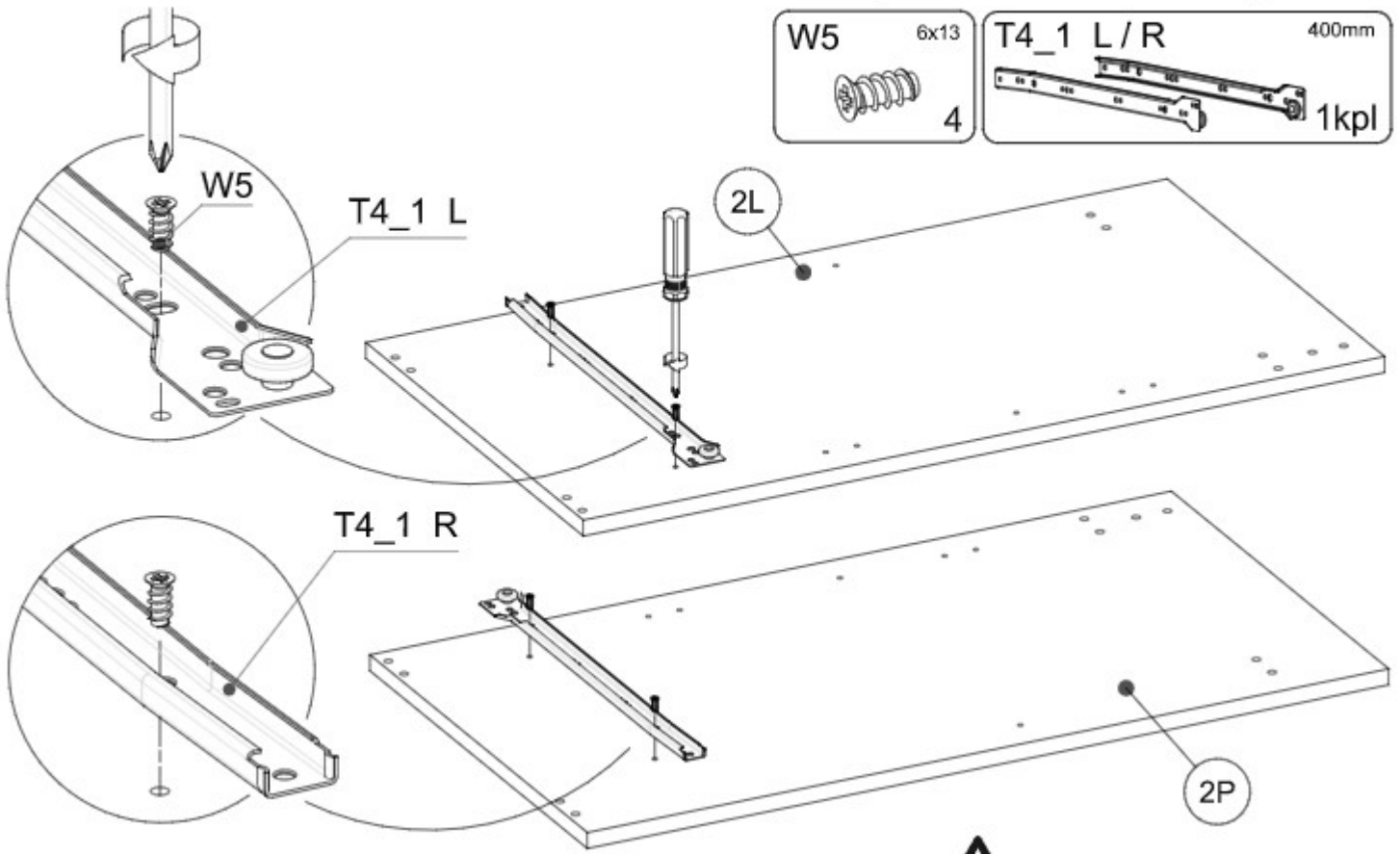


▶ 1



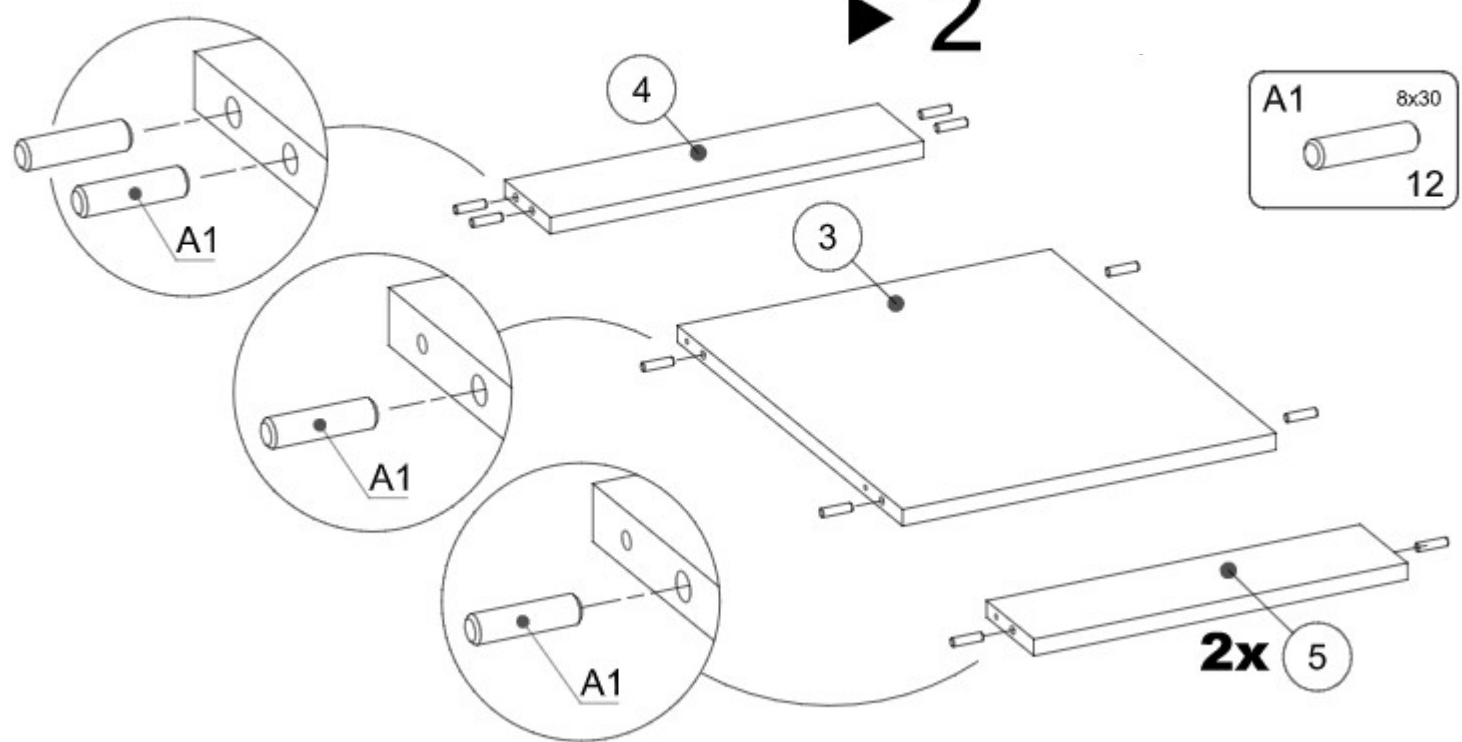
W5 6x13 4

T4_1 L/R 400mm 1kpl

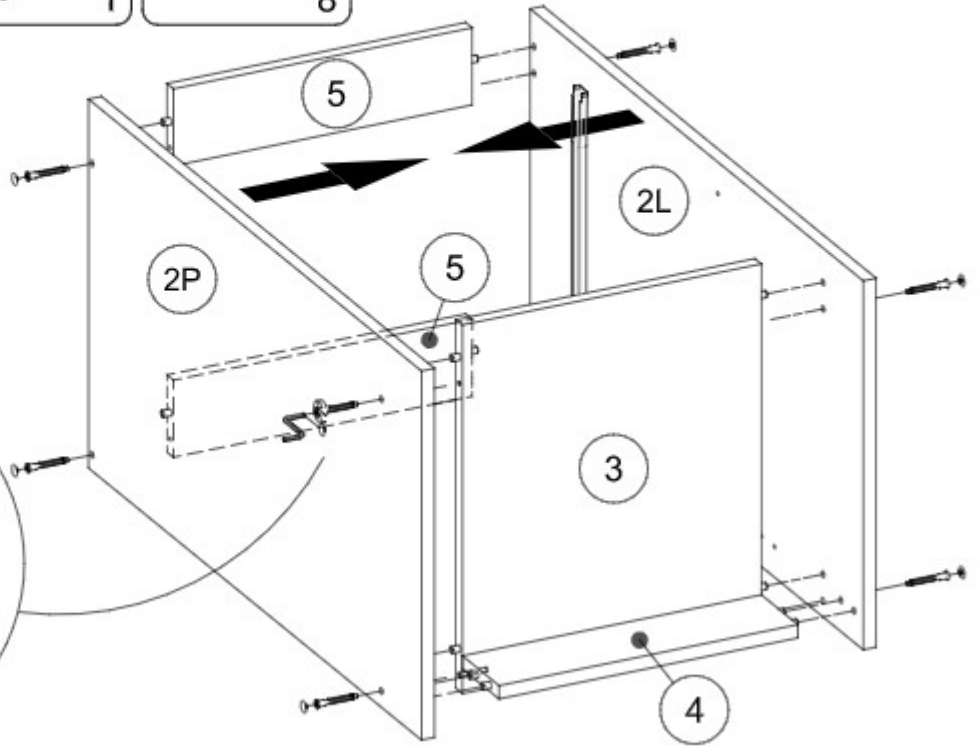
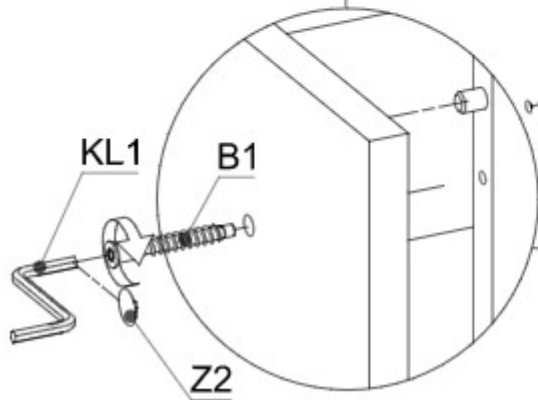
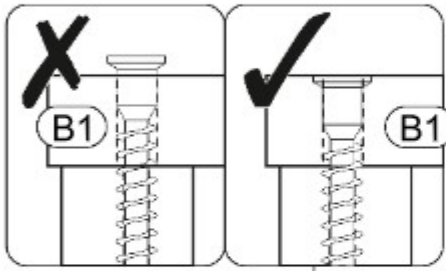


▶ 2

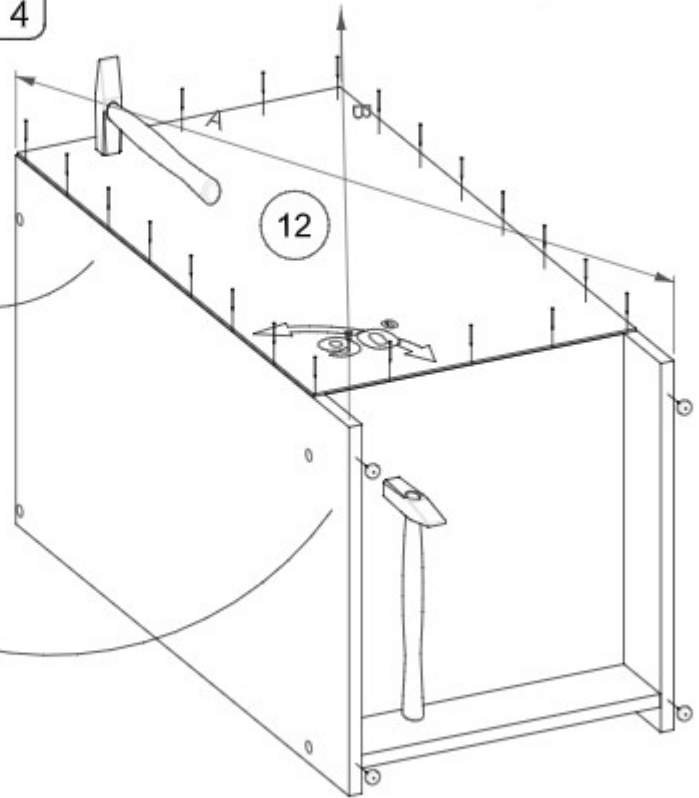
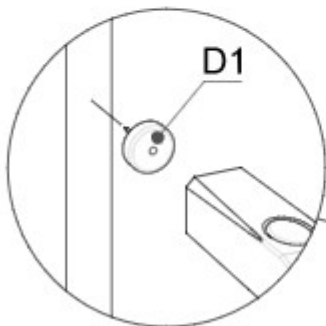
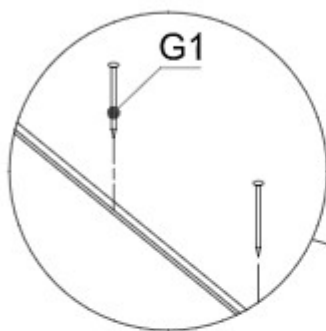
A1 8x30 12



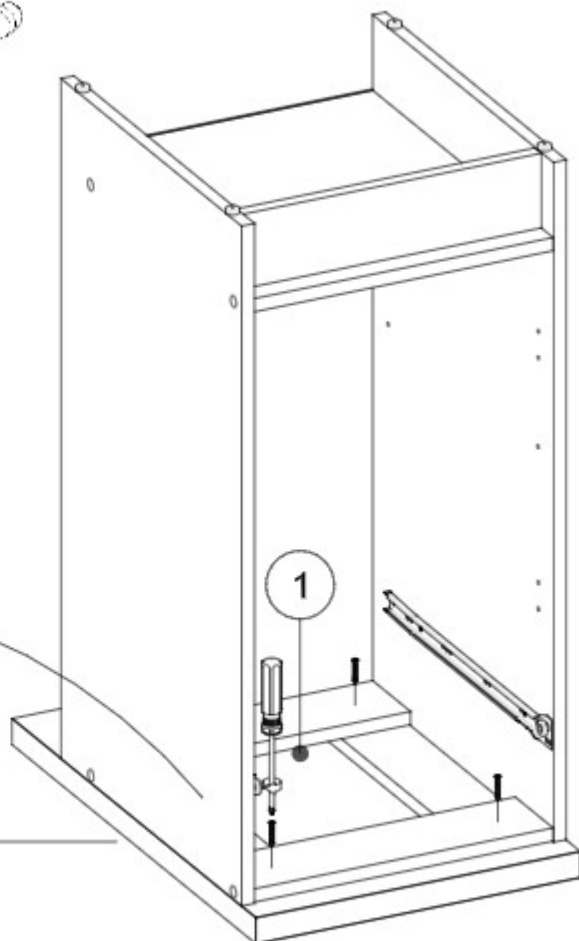
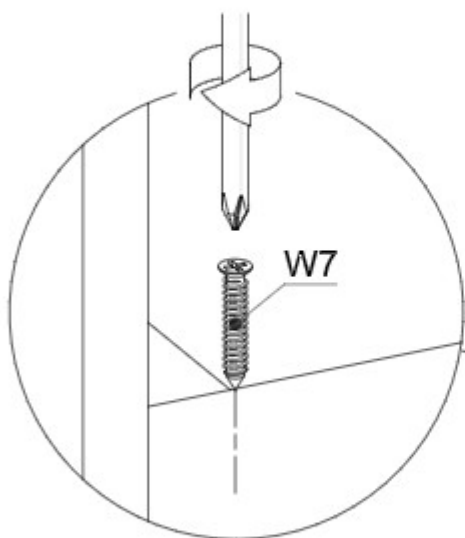
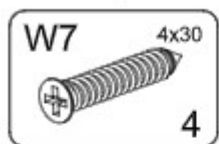
▶ 3



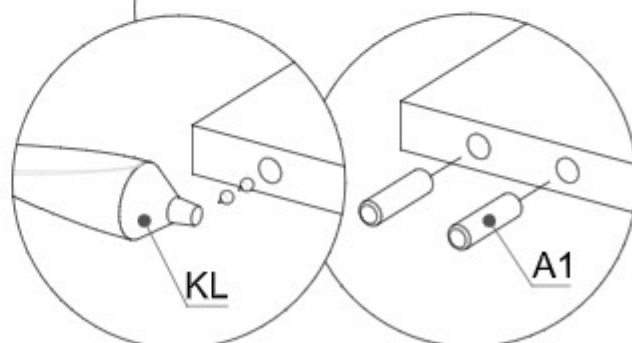
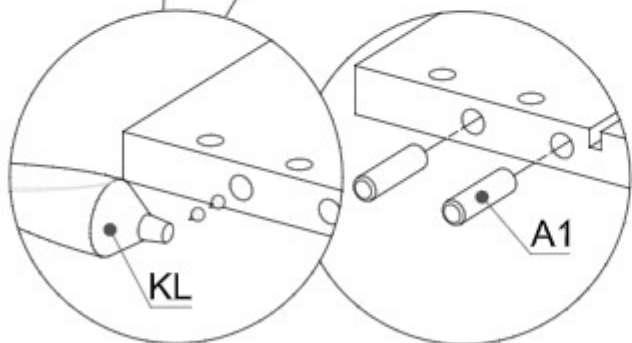
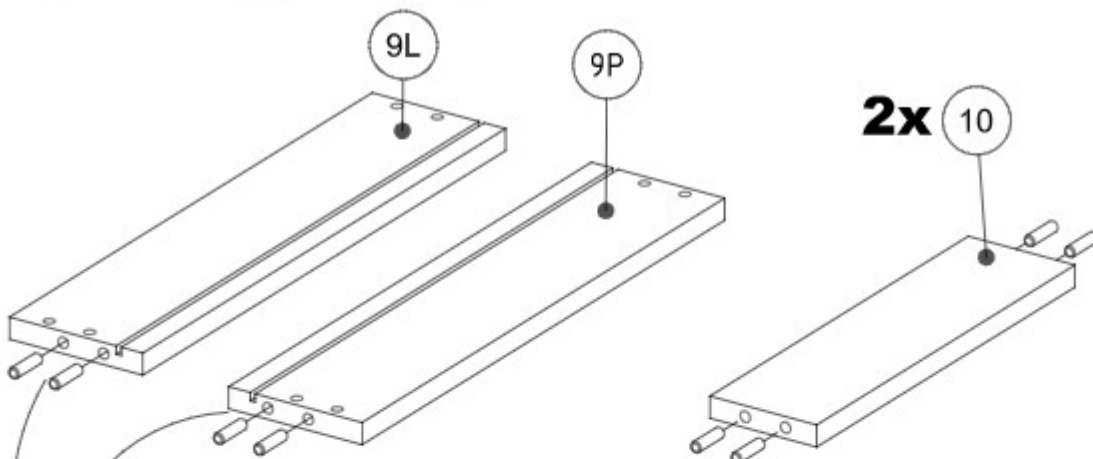
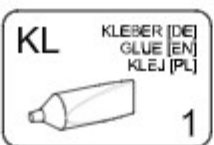
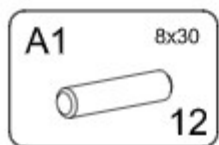
▶ 4

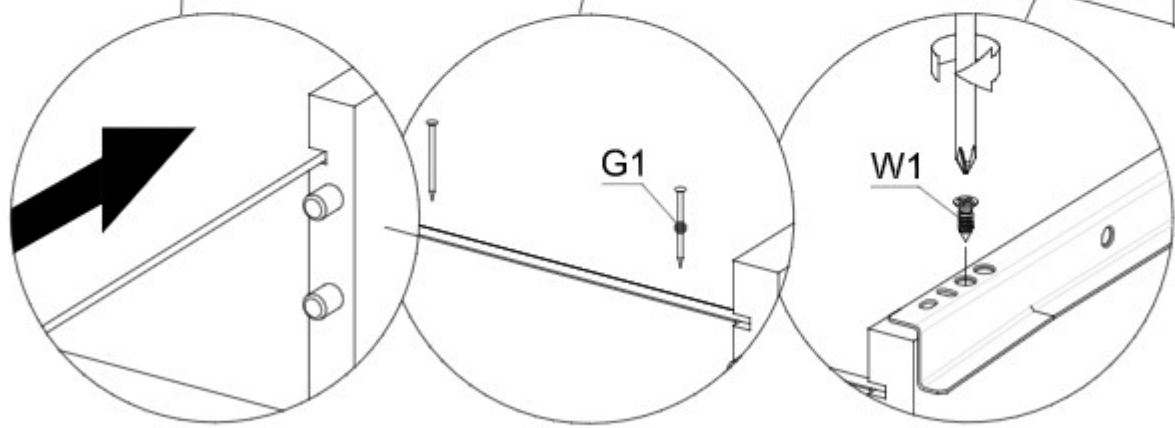
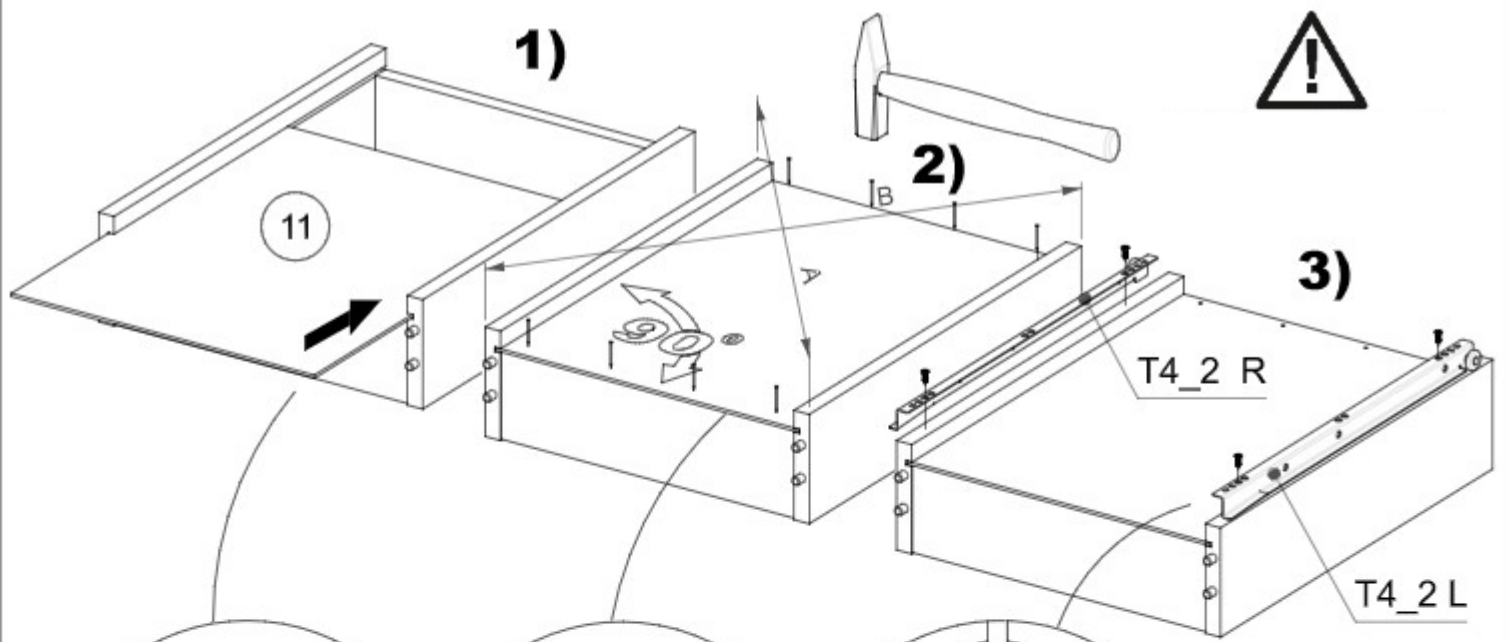
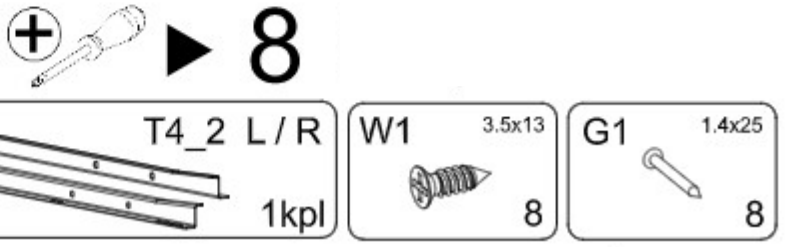
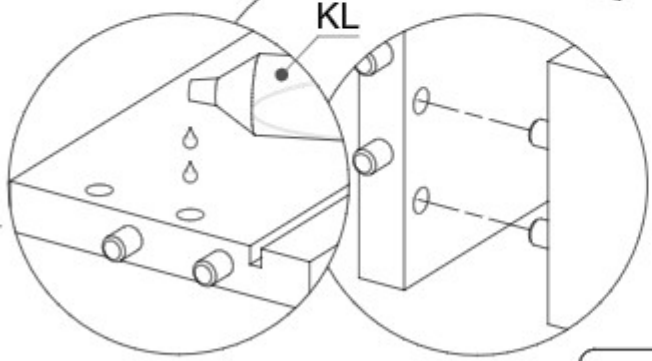
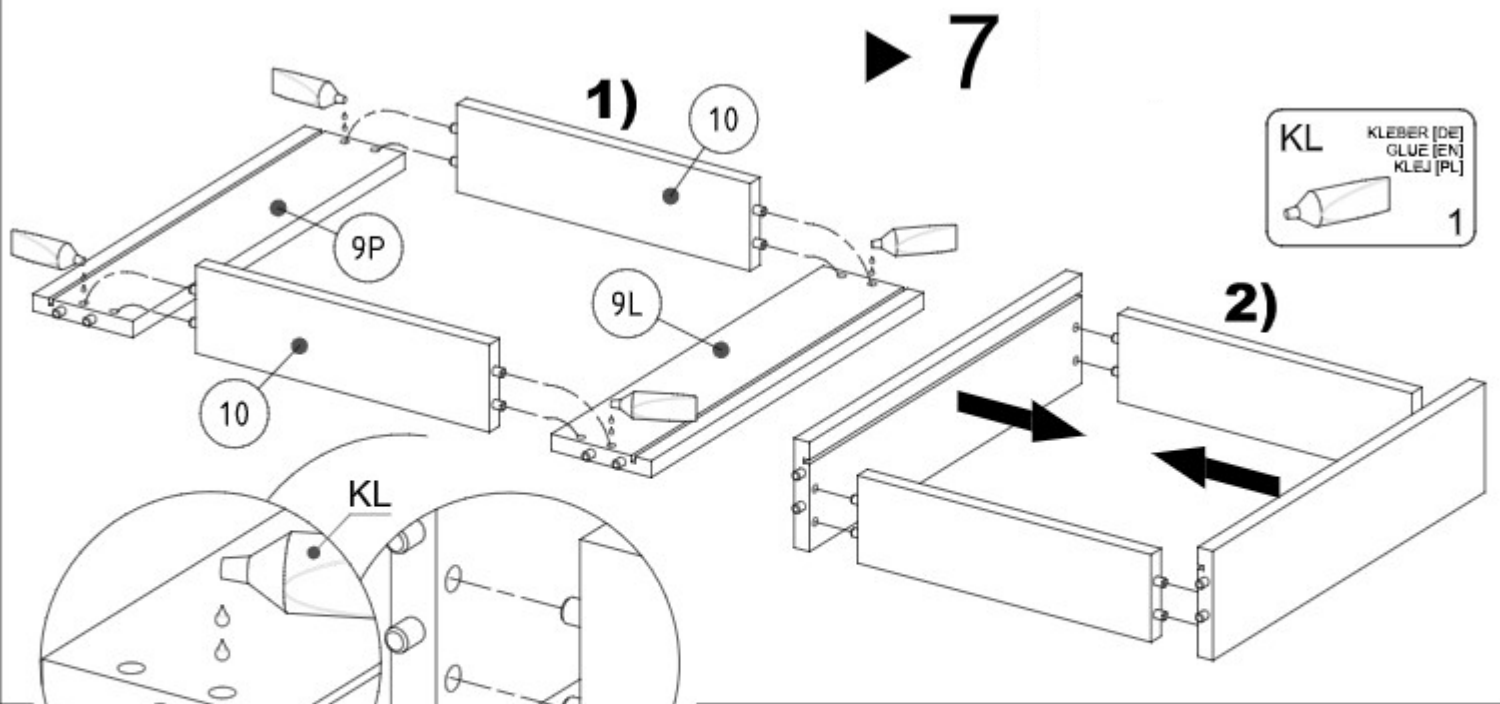


► 5

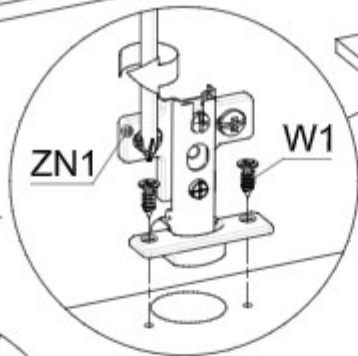
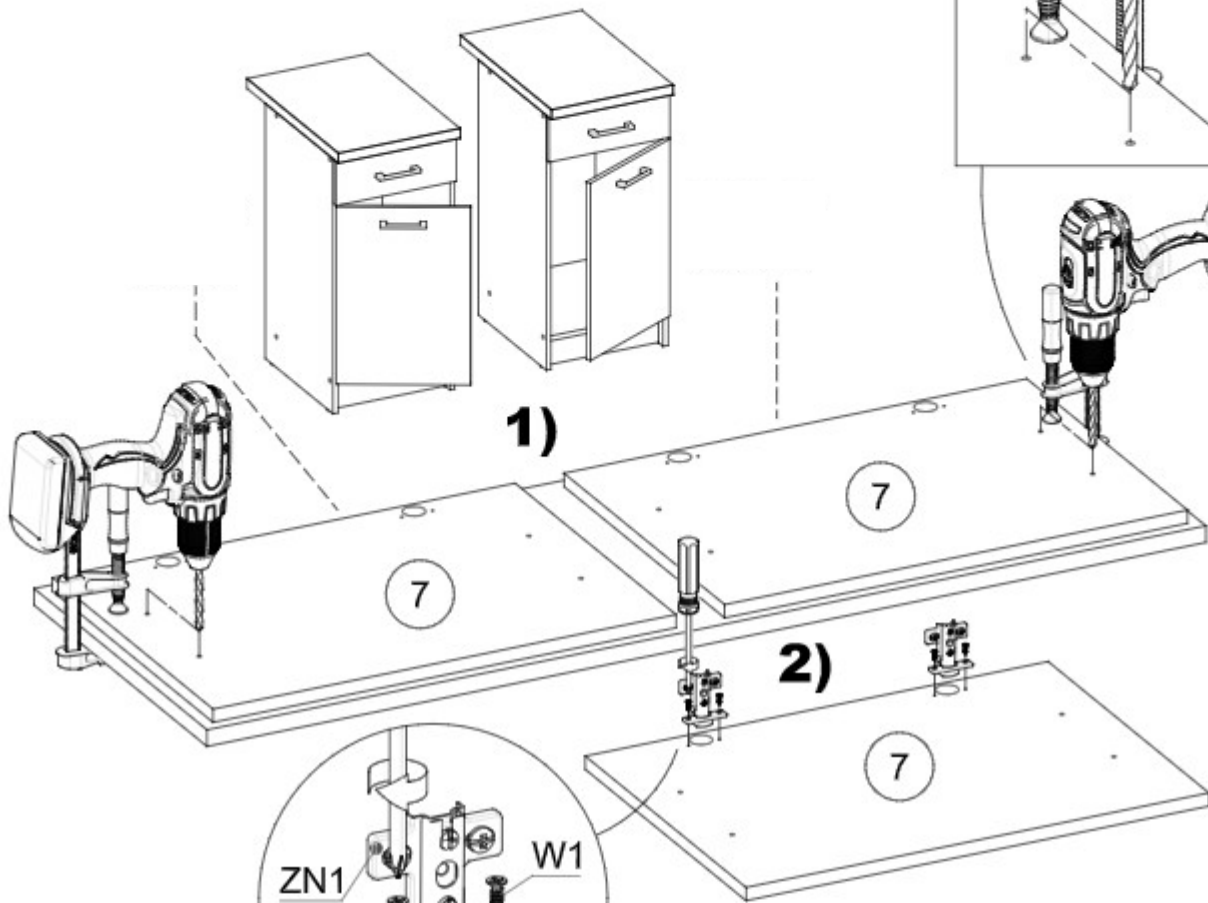
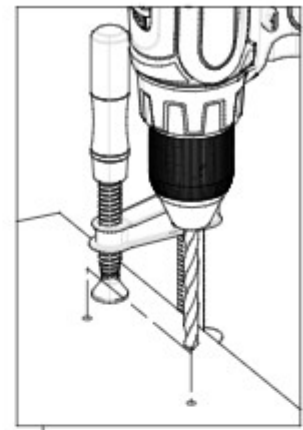


► 6

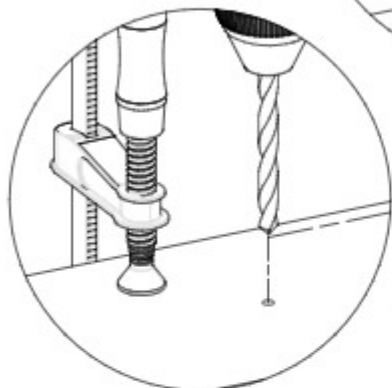




▶ 9

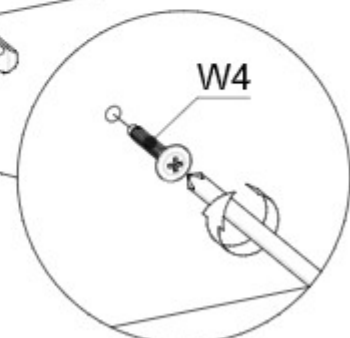
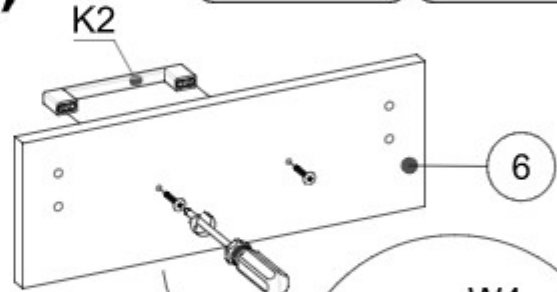
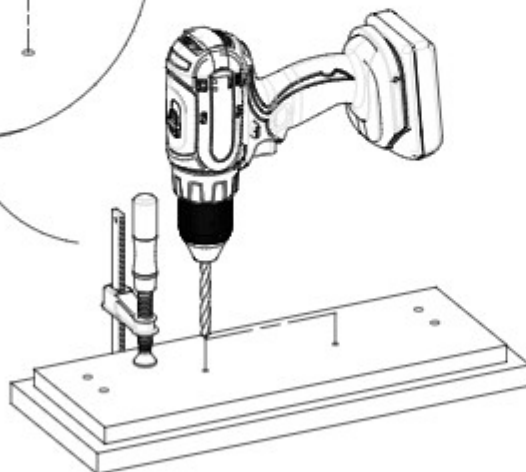


▶ 10

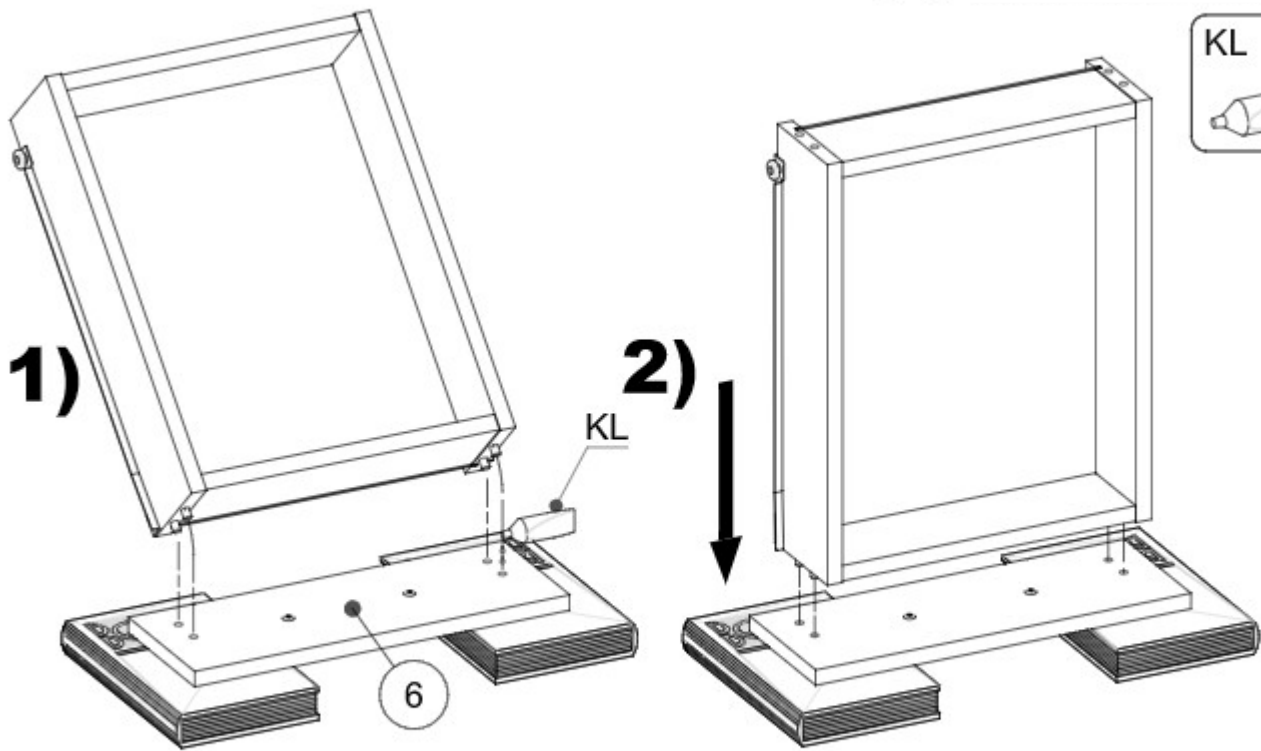


1)

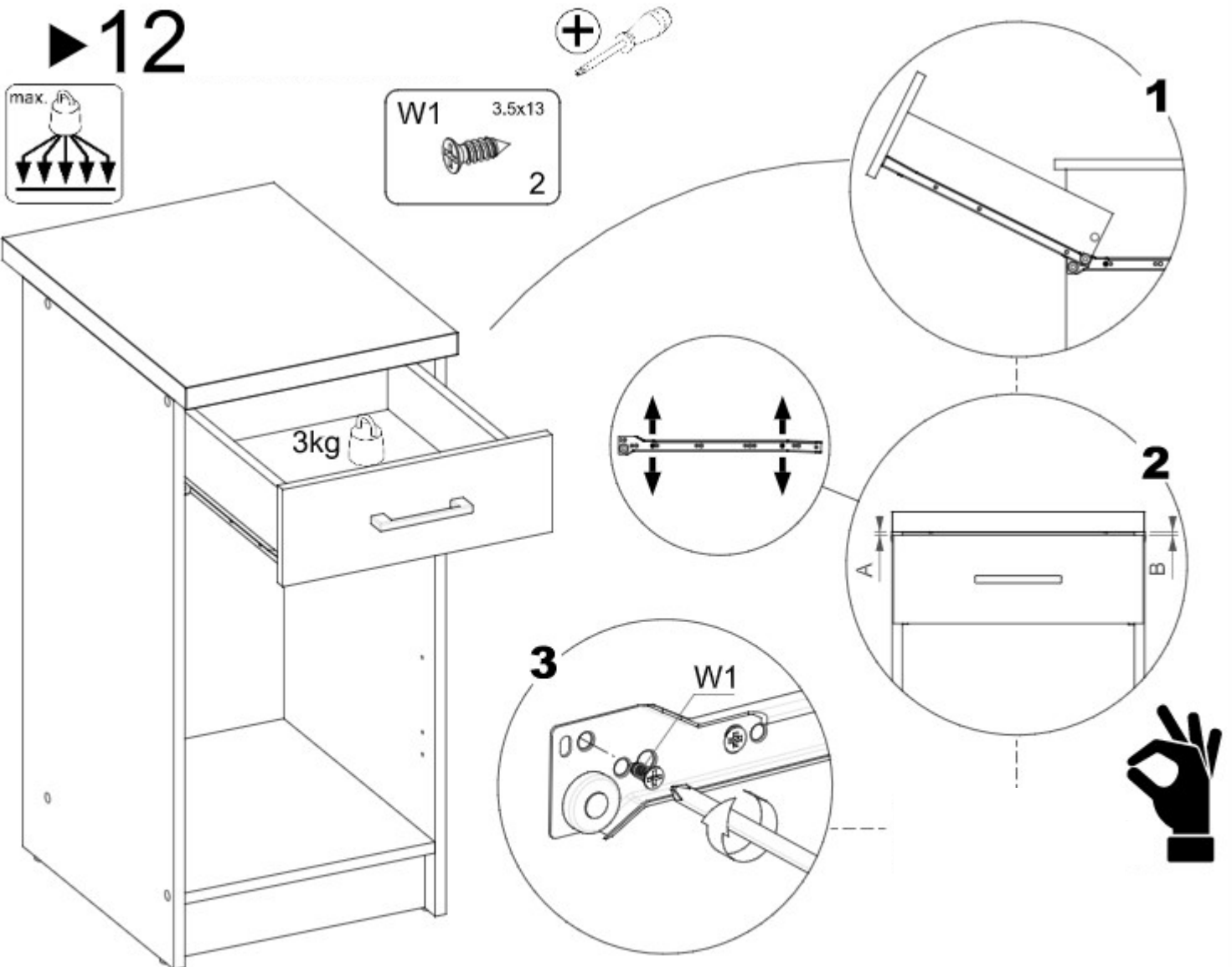
2)



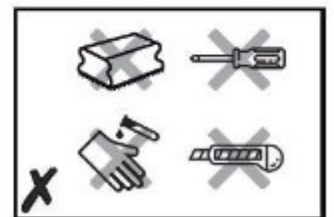
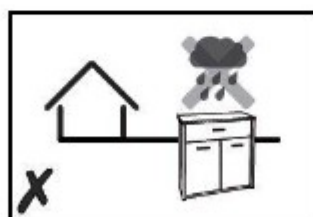
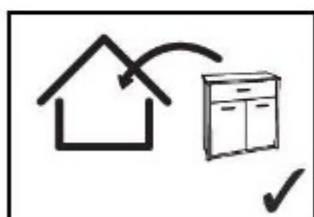
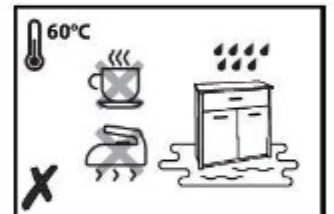
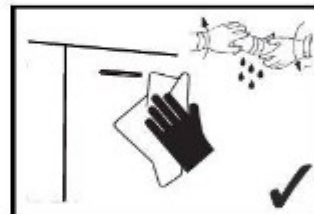
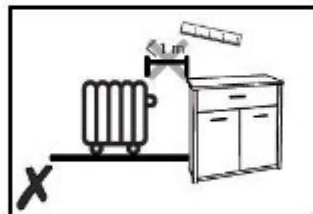
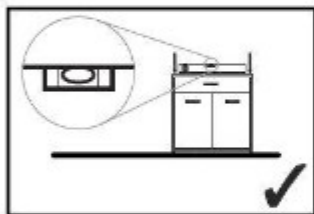
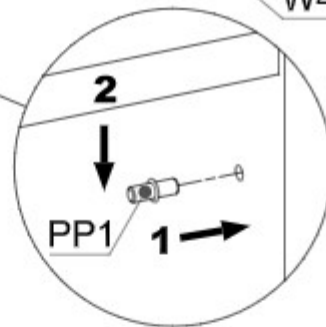
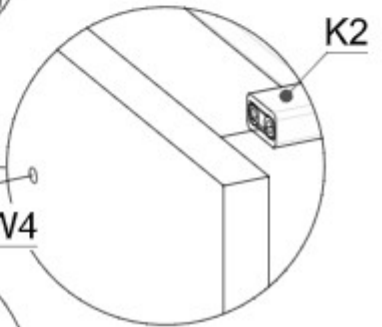
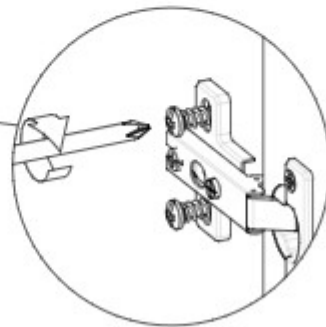
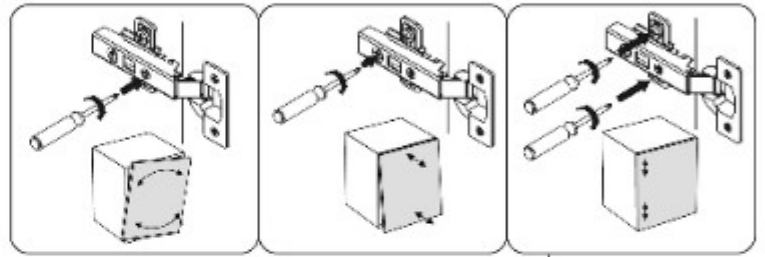
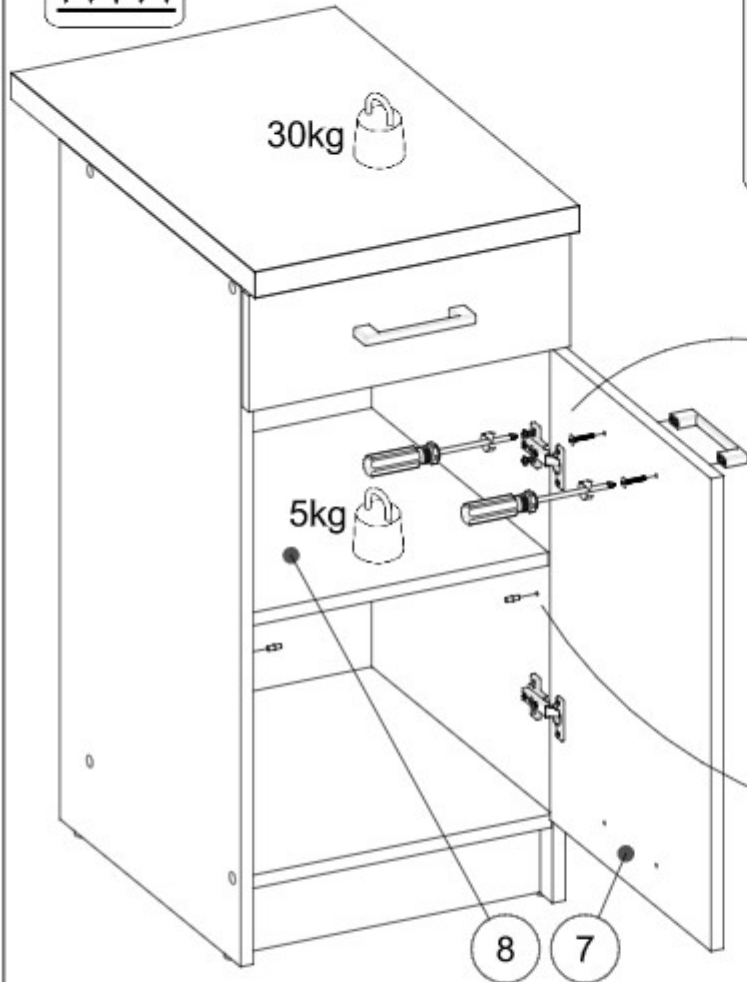
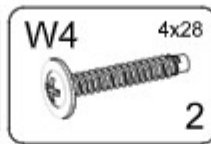
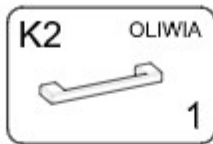
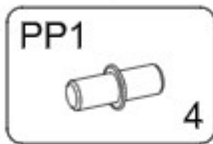
▶ 11



▶ 12



▶ 13

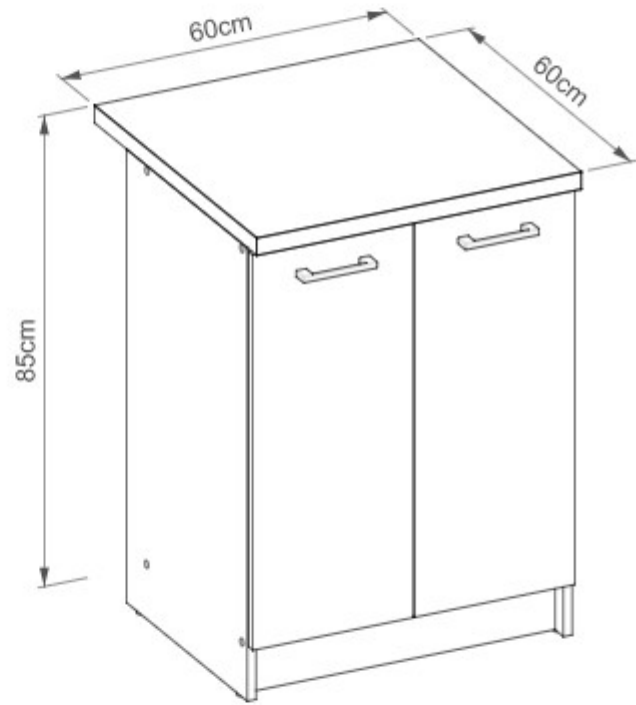
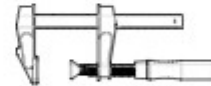


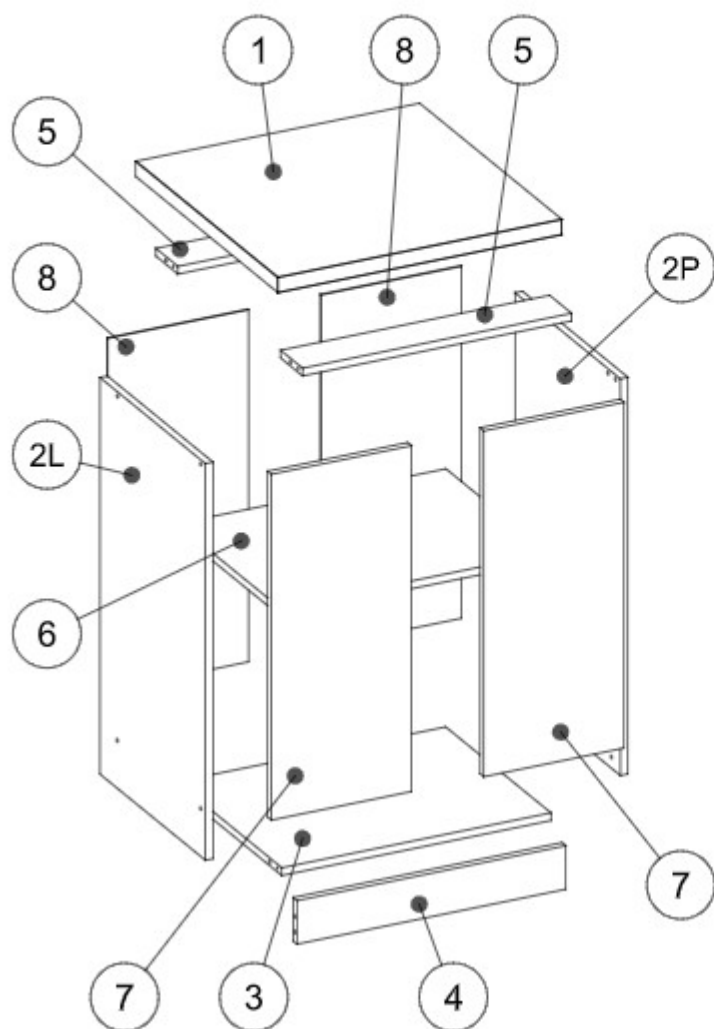


~70 min

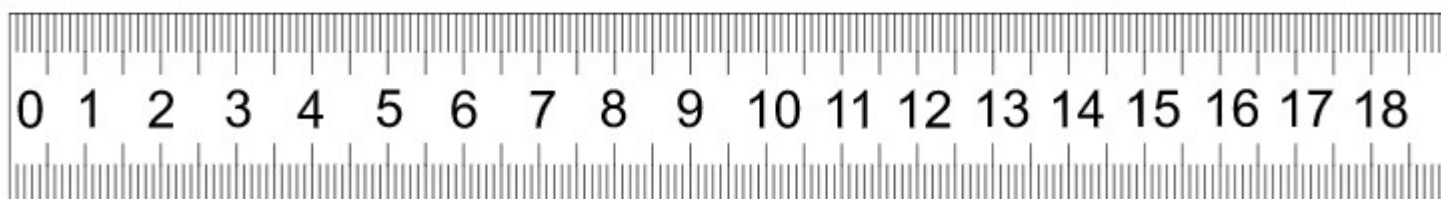
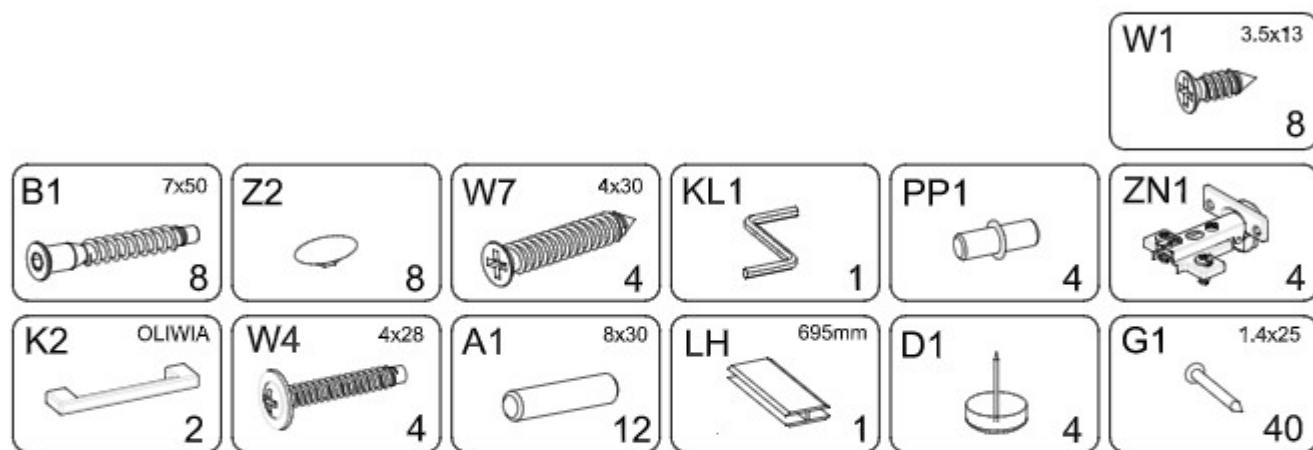


Ø 5mm

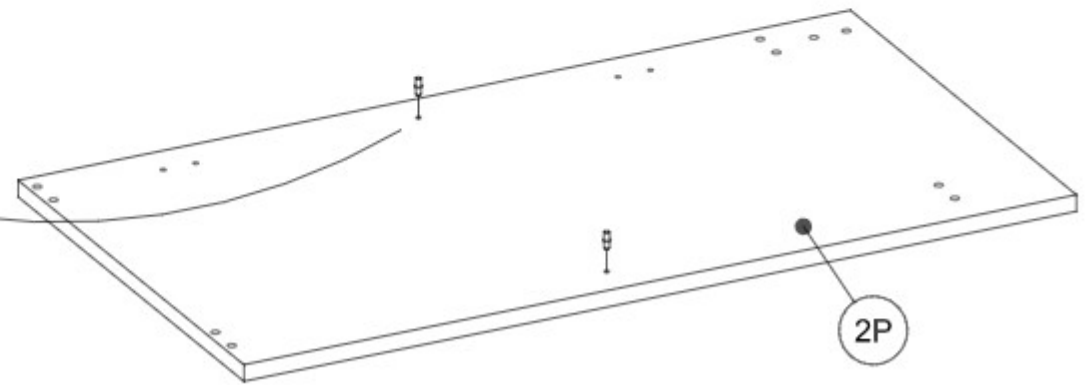
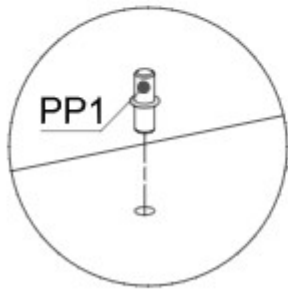
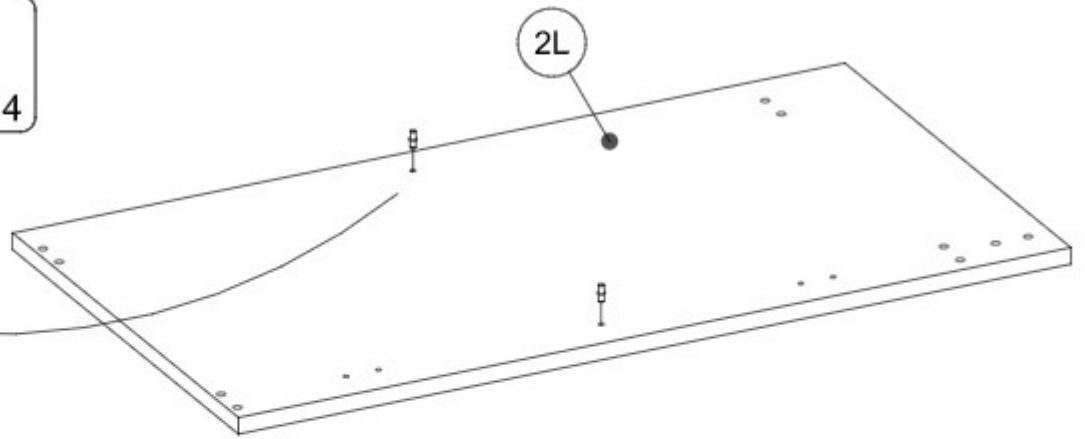
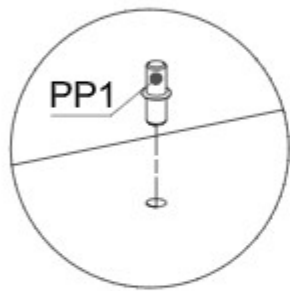
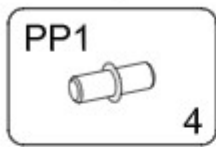




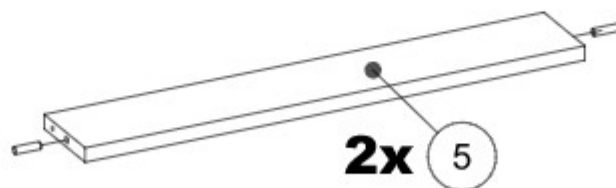
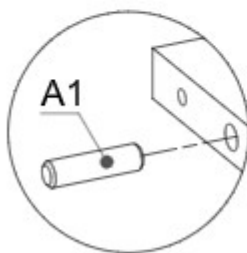
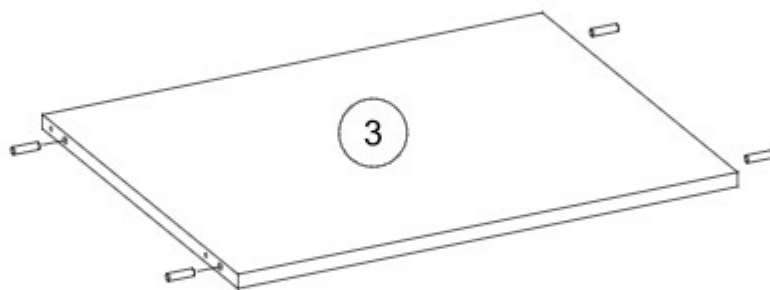
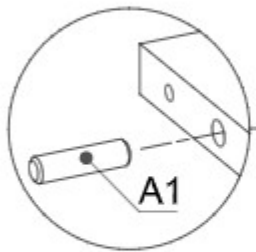
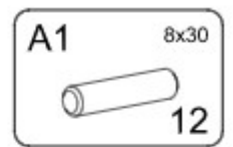
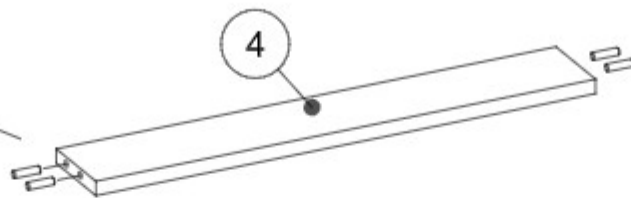
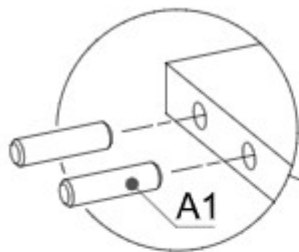
1	600x600x32mm	1
2L	820x445x16mm	1
2P	820x445x16mm	1
3	568x444x16mm	1
4	568x90x16mm	1
5	568x93x16mm	2
6	568x435x16mm	1
7	715x296x16mm	2
8	728x297x3mm	2



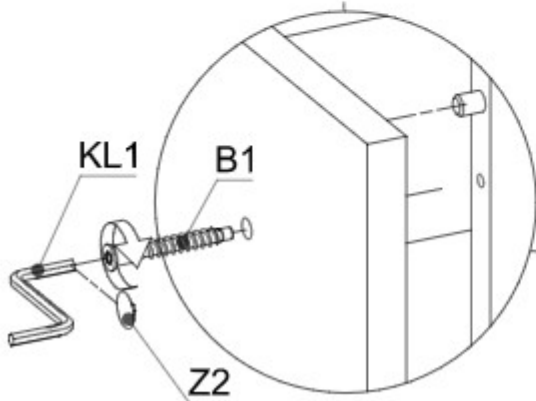
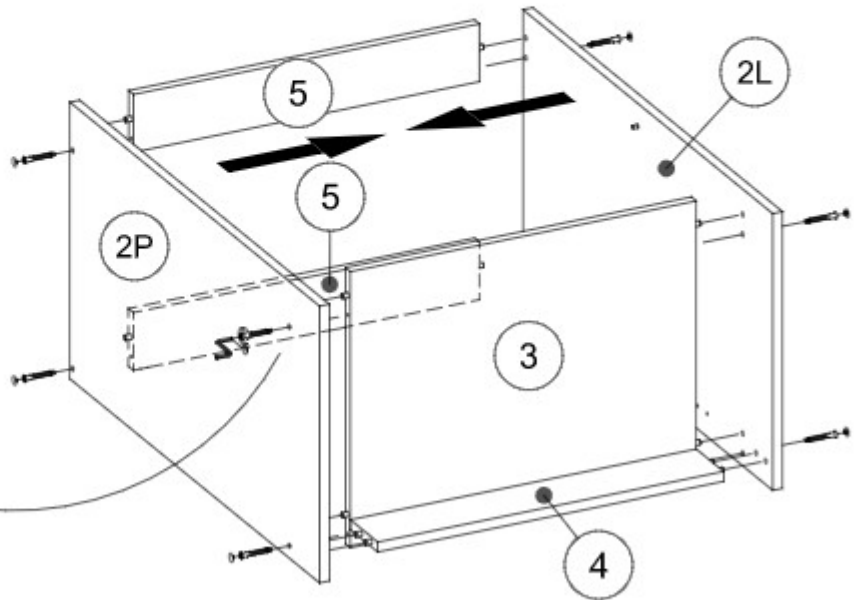
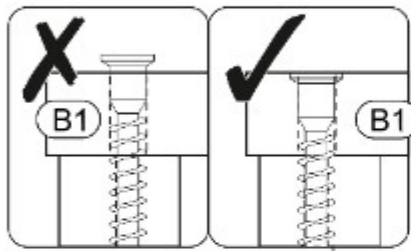
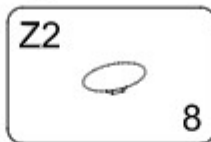
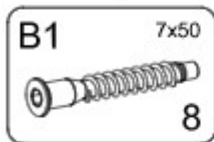
▶ 1



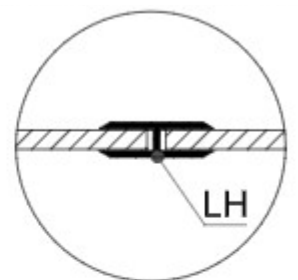
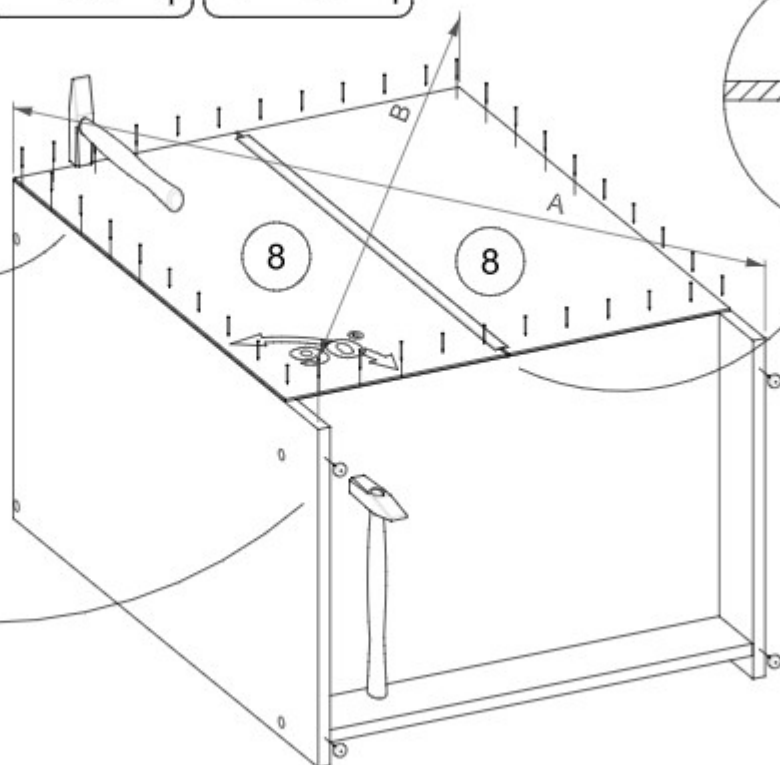
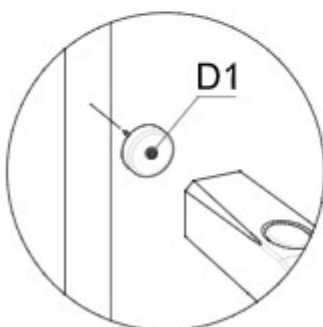
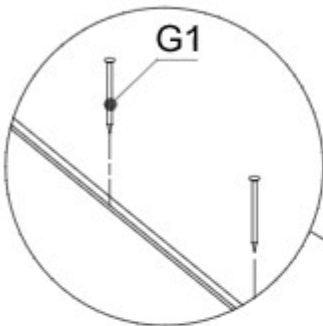
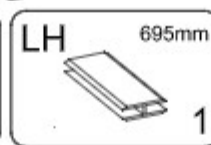
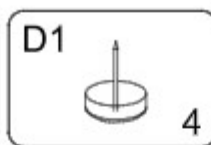
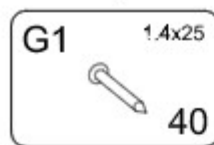
▶ 2



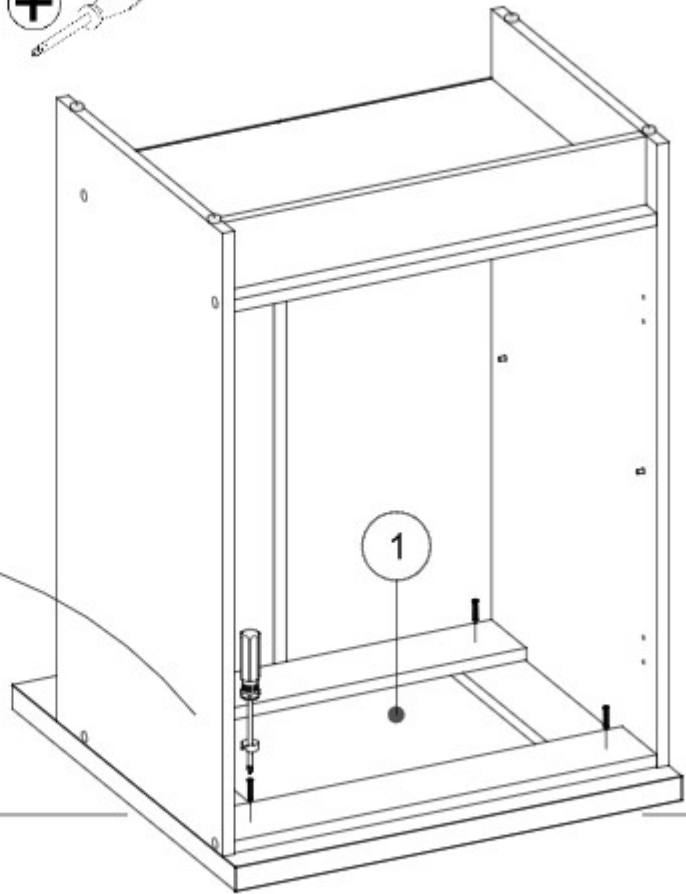
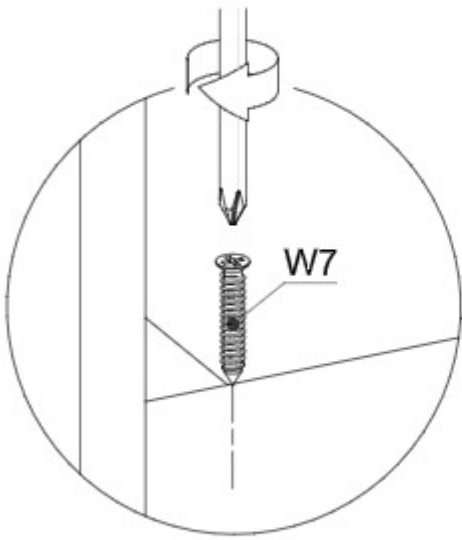
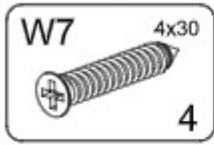
▶ 3



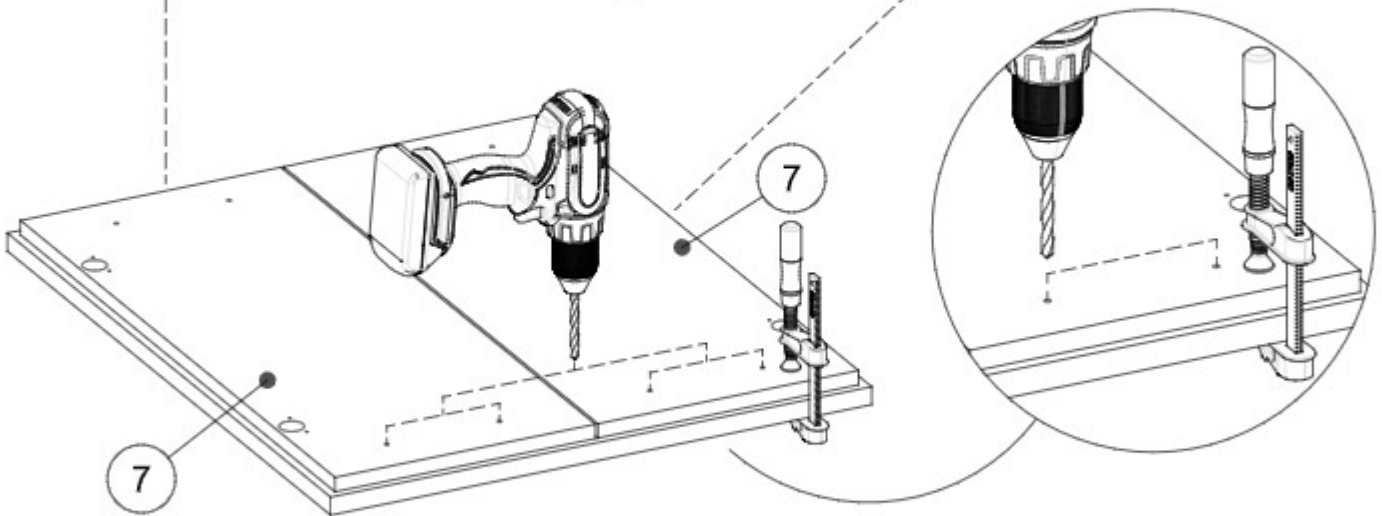
▶ 4




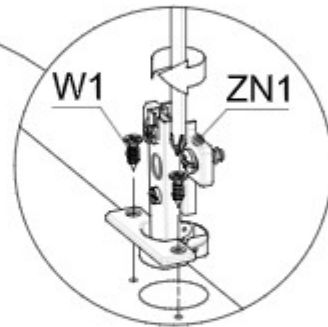
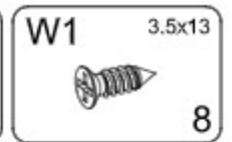
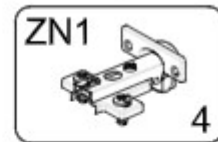
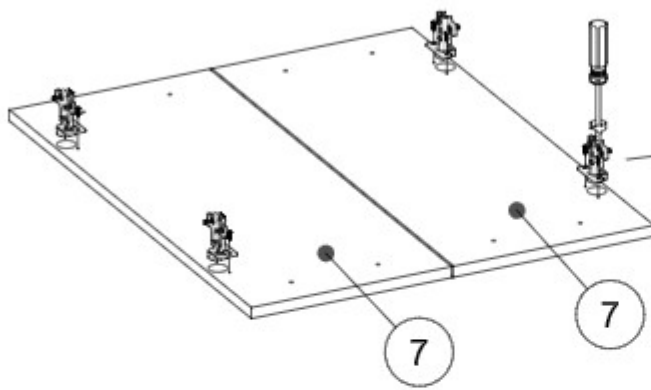
▶ 5



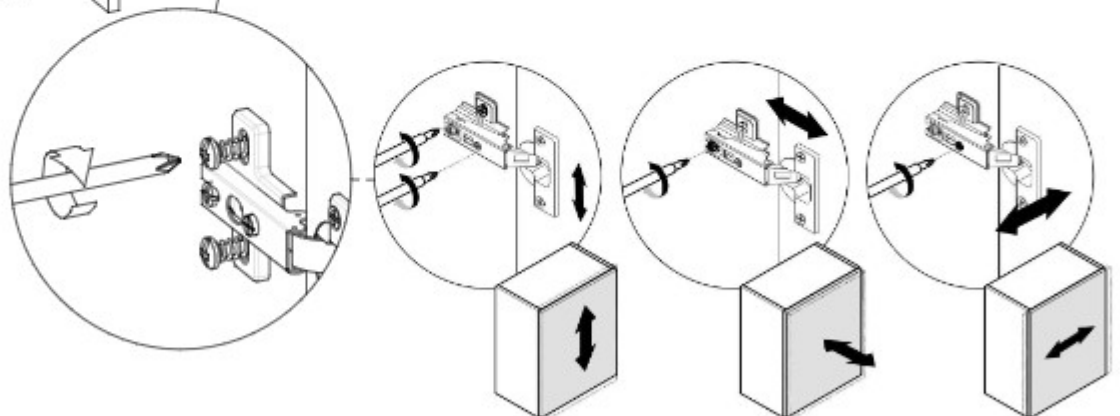
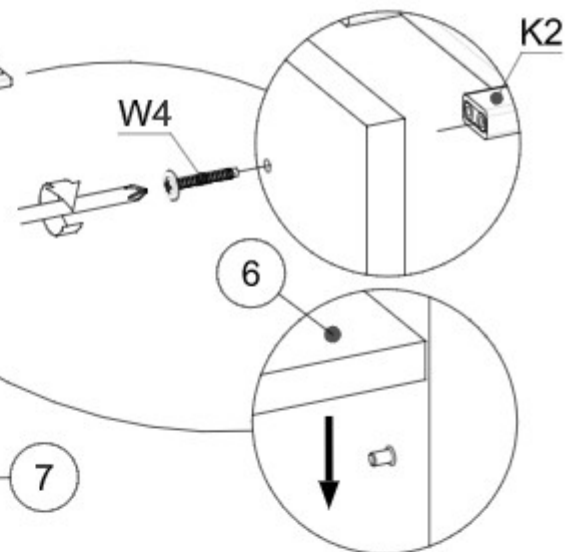
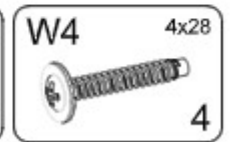
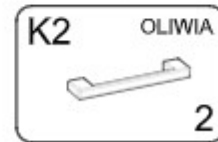
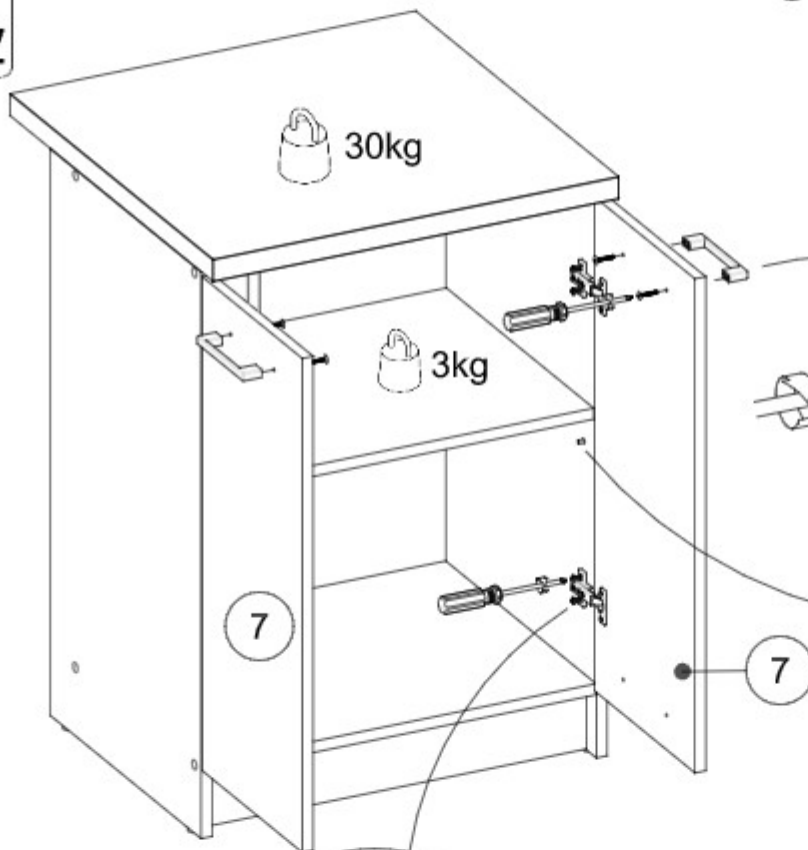
▶ 6



+  ► 7

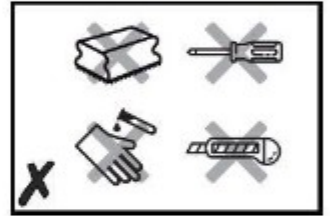
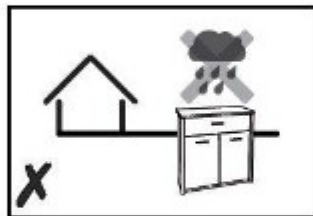
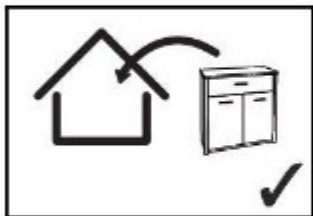
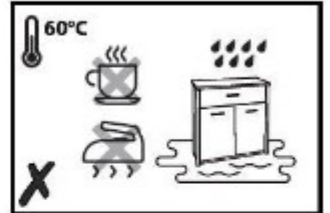
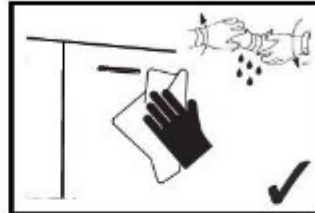
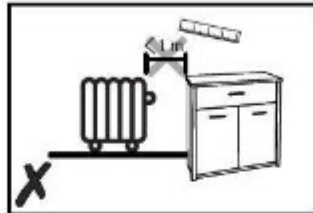
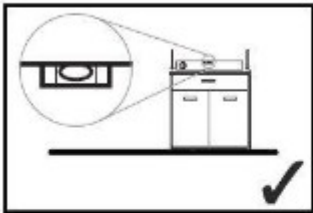


► 8



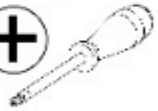


✓! ✗

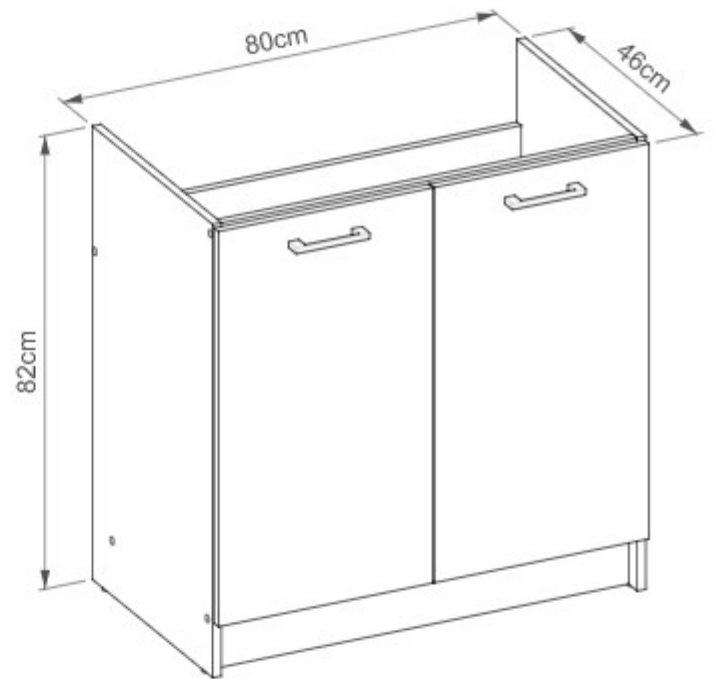
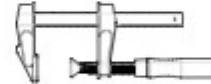




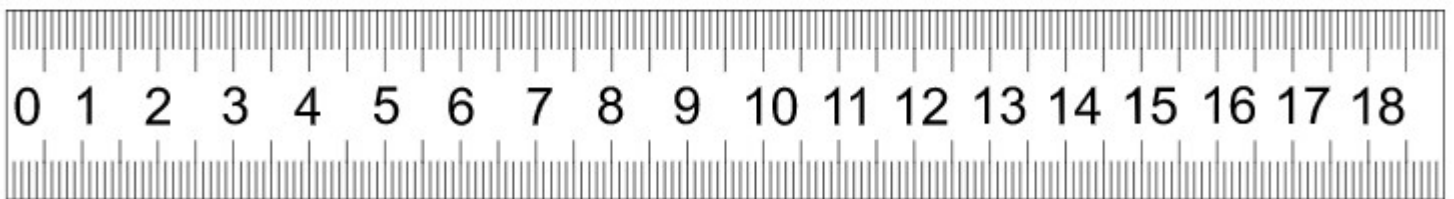
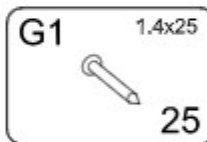
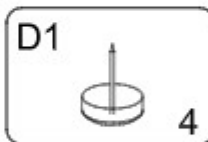
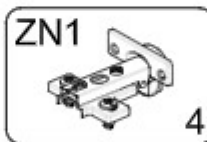
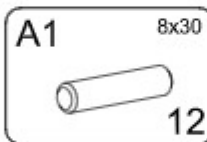
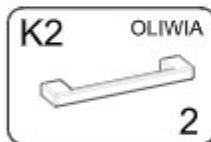
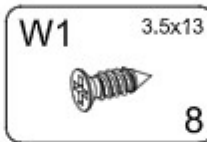
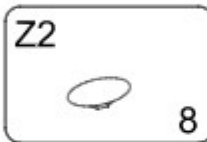
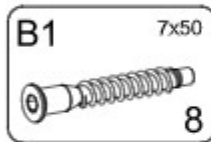
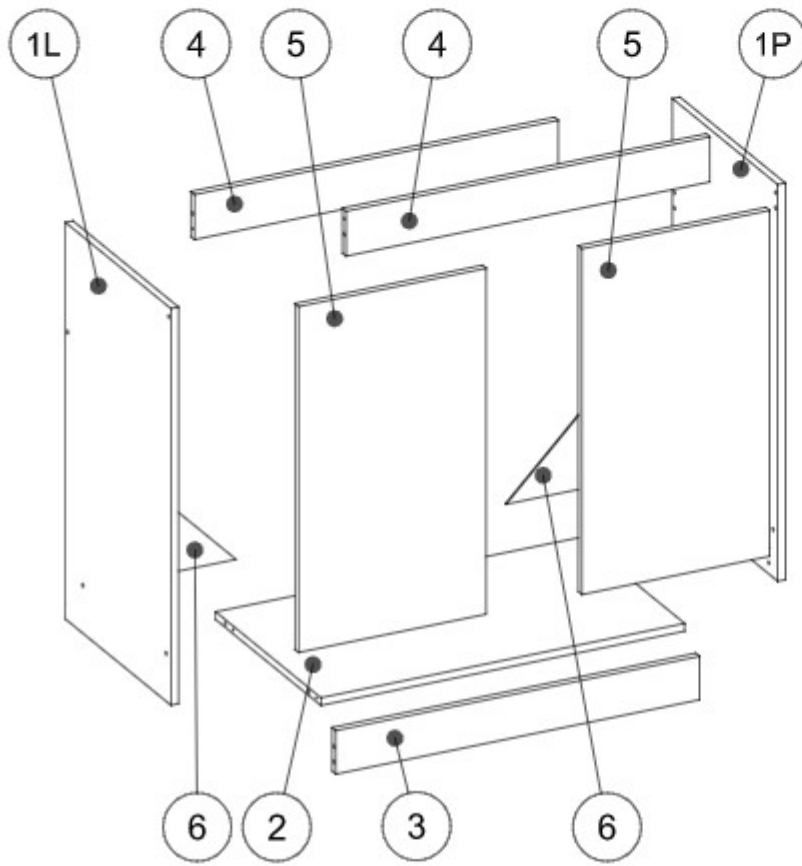
~70 min



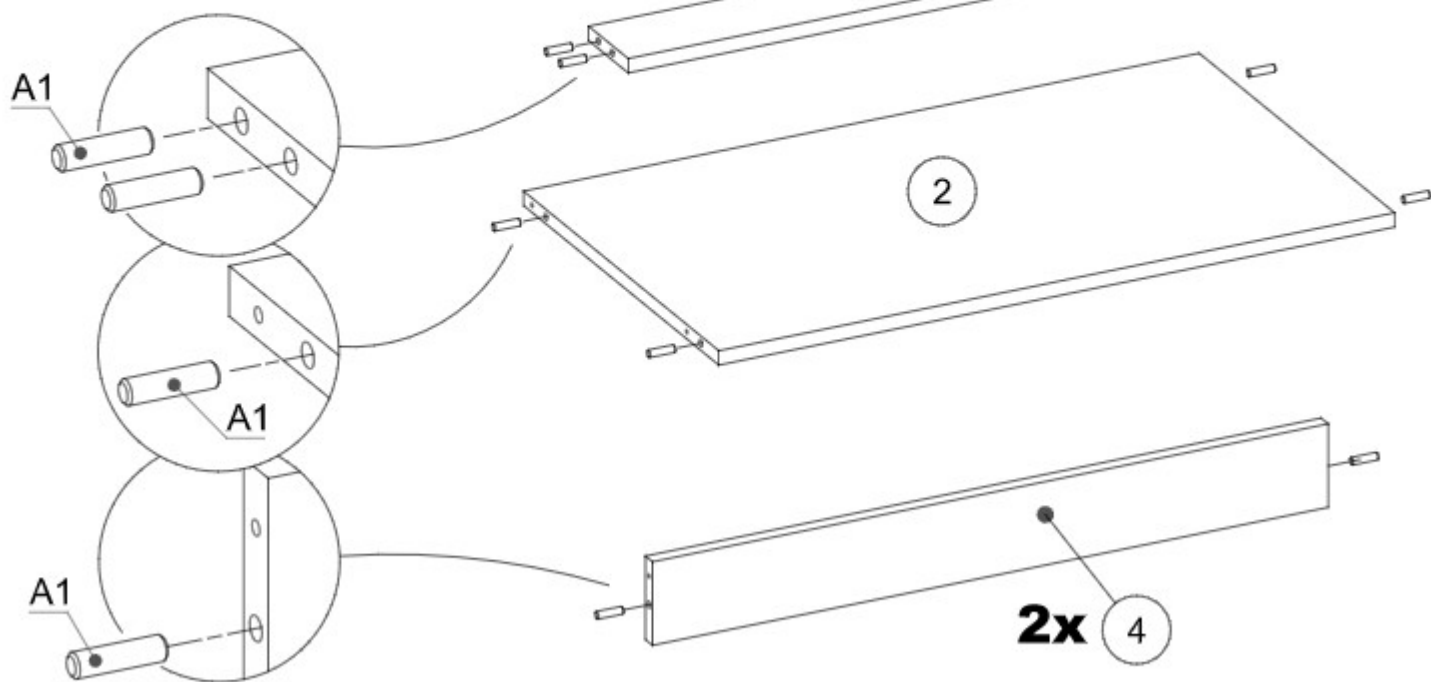
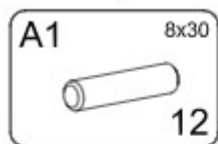
Ø 5mm



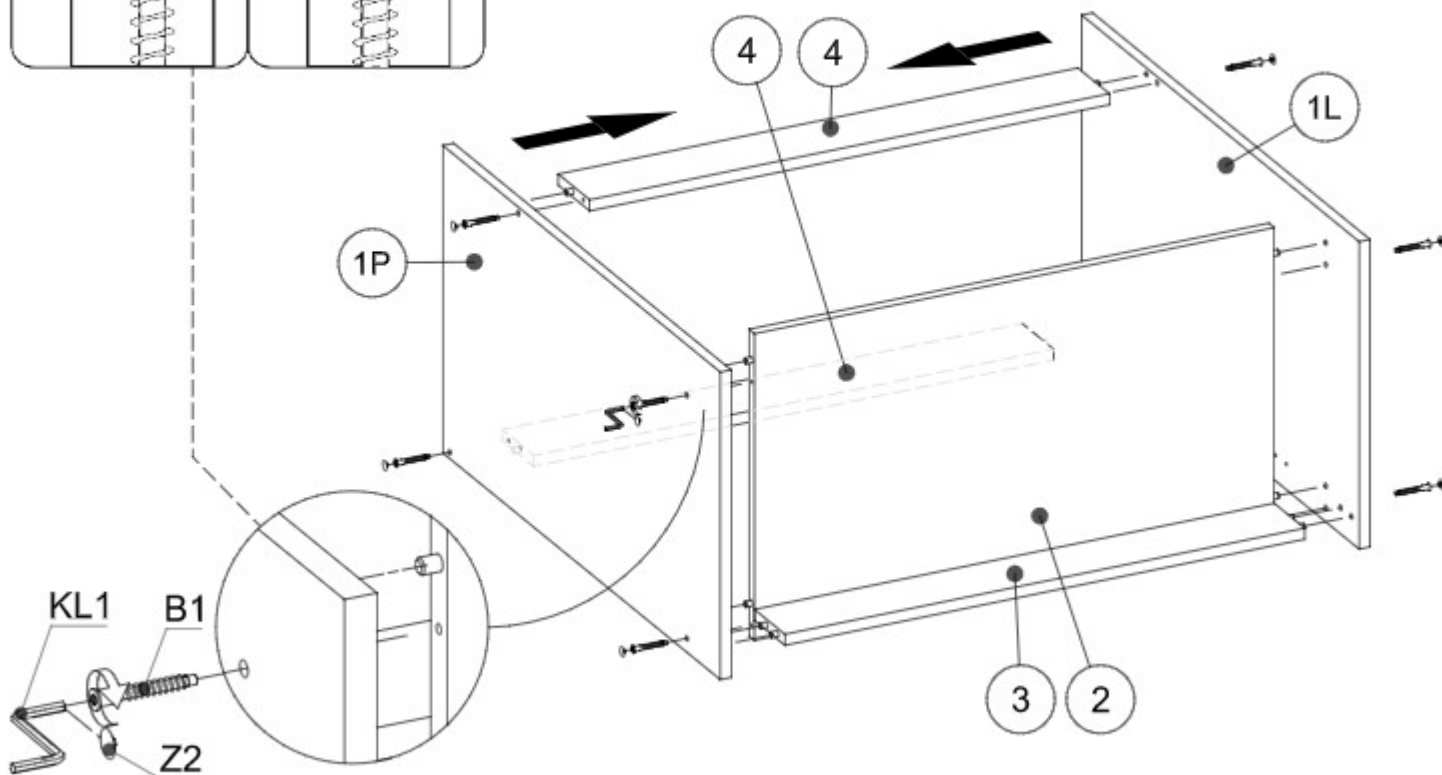
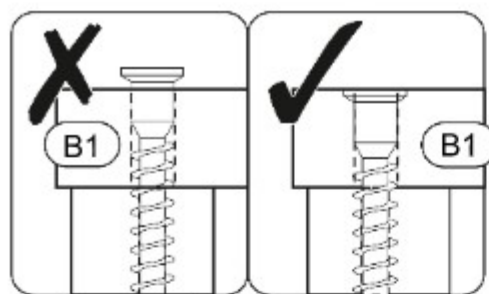
1L	820x445x16mm	1
1P	820x445x16mm	1
2	768x444x16mm	1
3	768x90x16mm	1
4	768x93x16mm	2
5	715x396x16mm	2
6	250x250x3mm	2



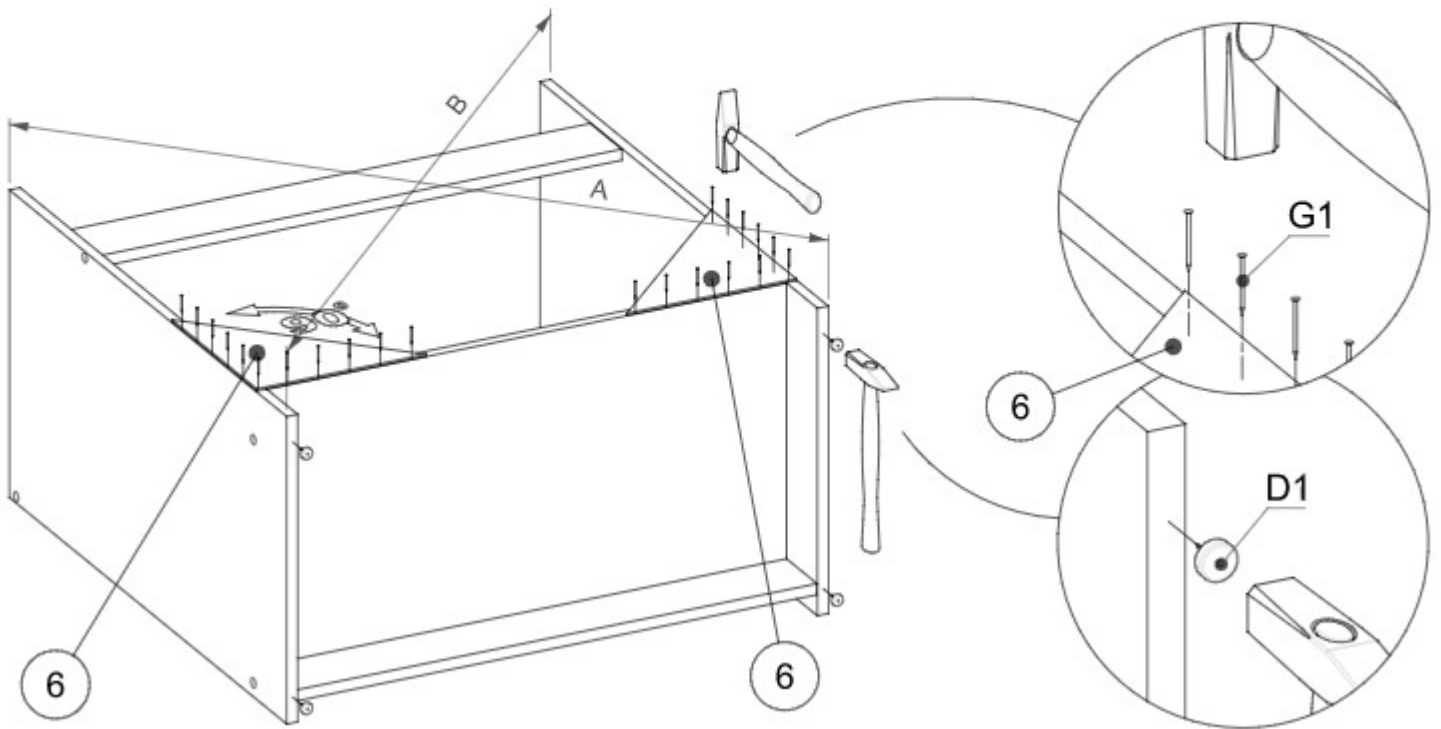
▶ 1



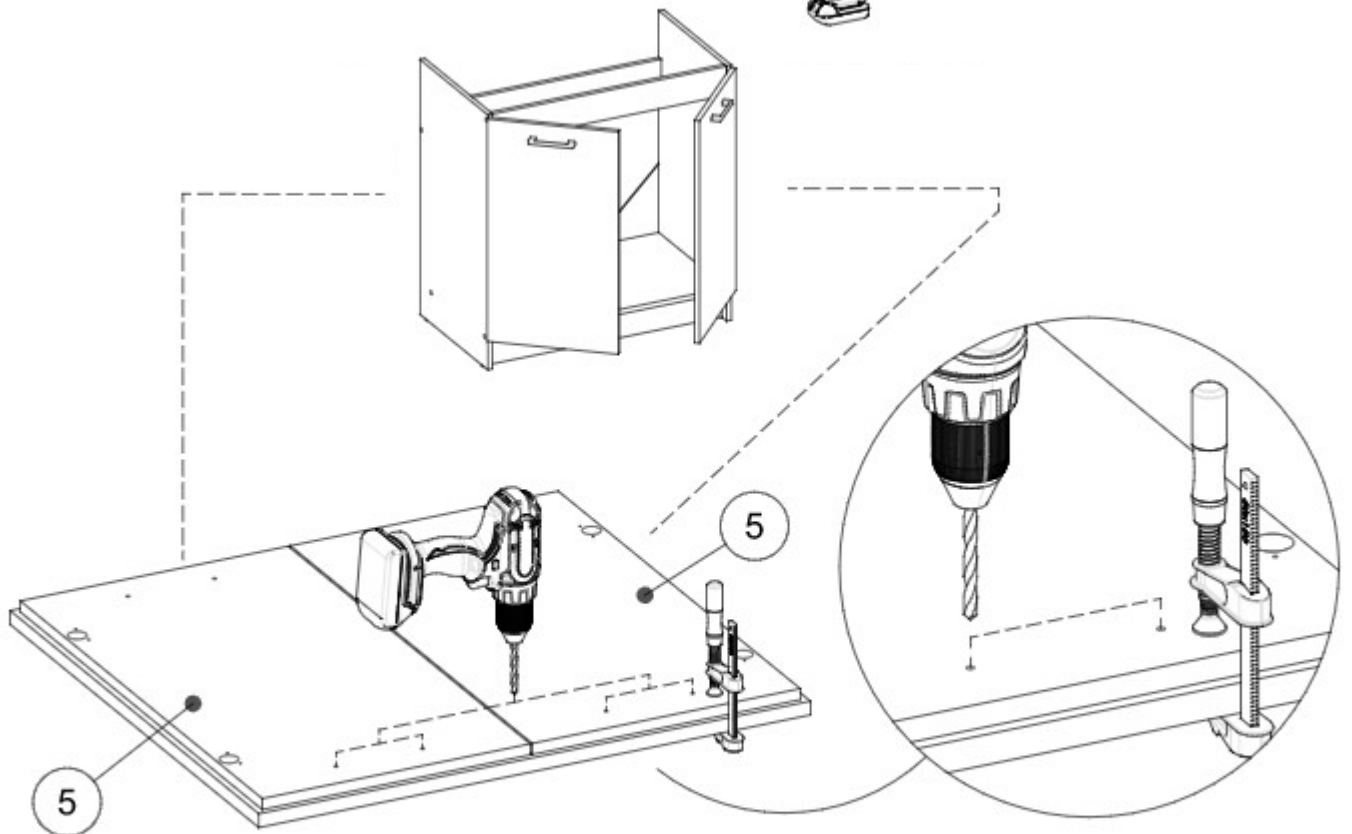
▶ 2

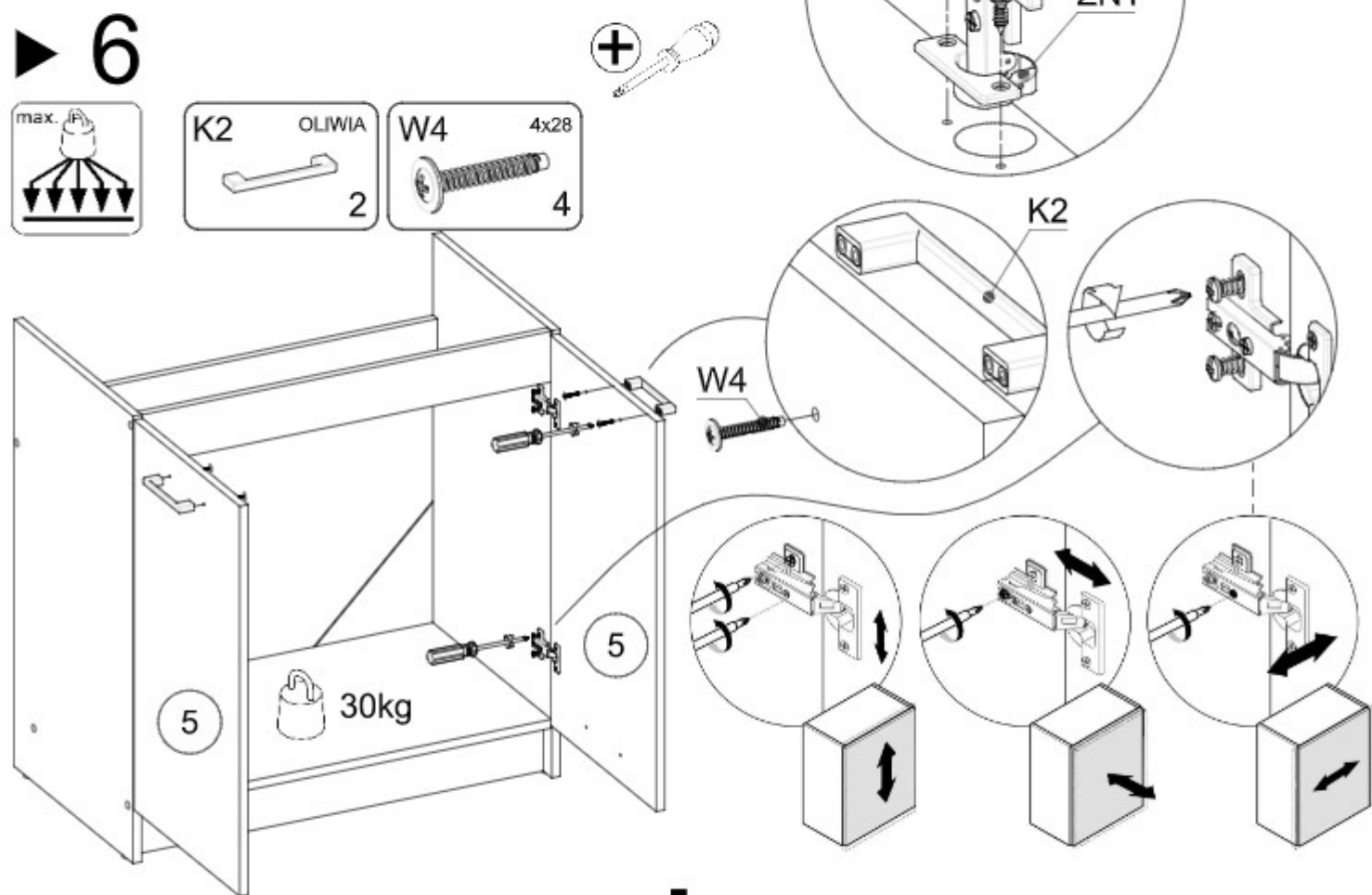
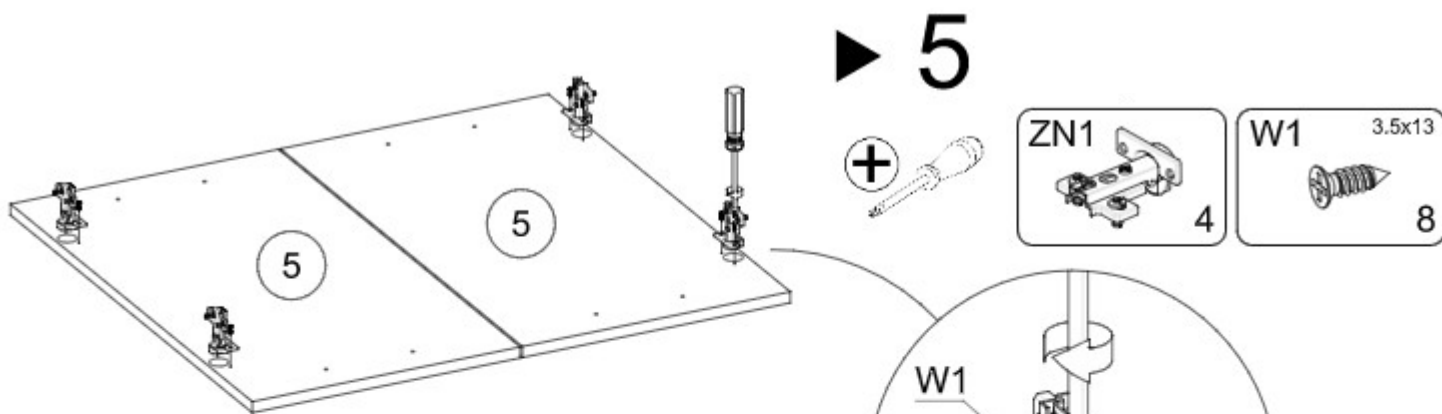


▶ 3

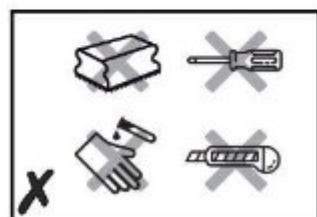
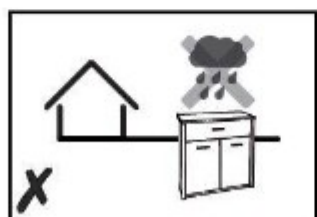
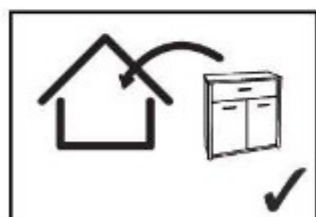
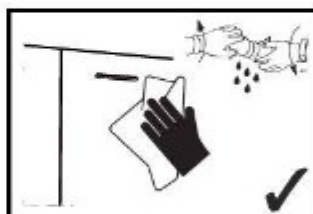
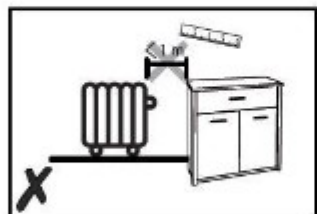
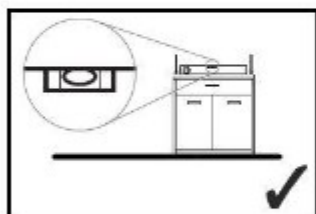


▶ 4



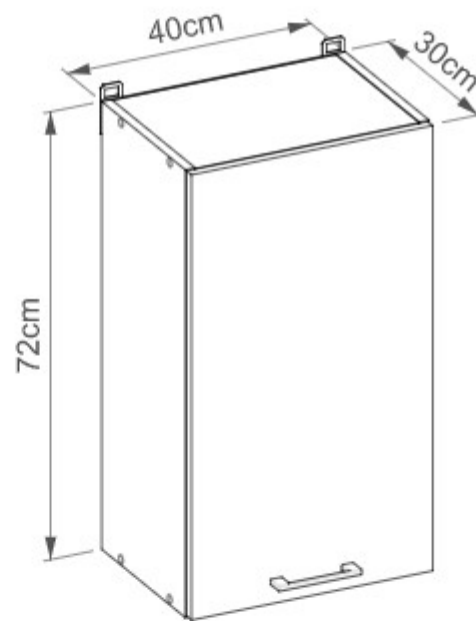


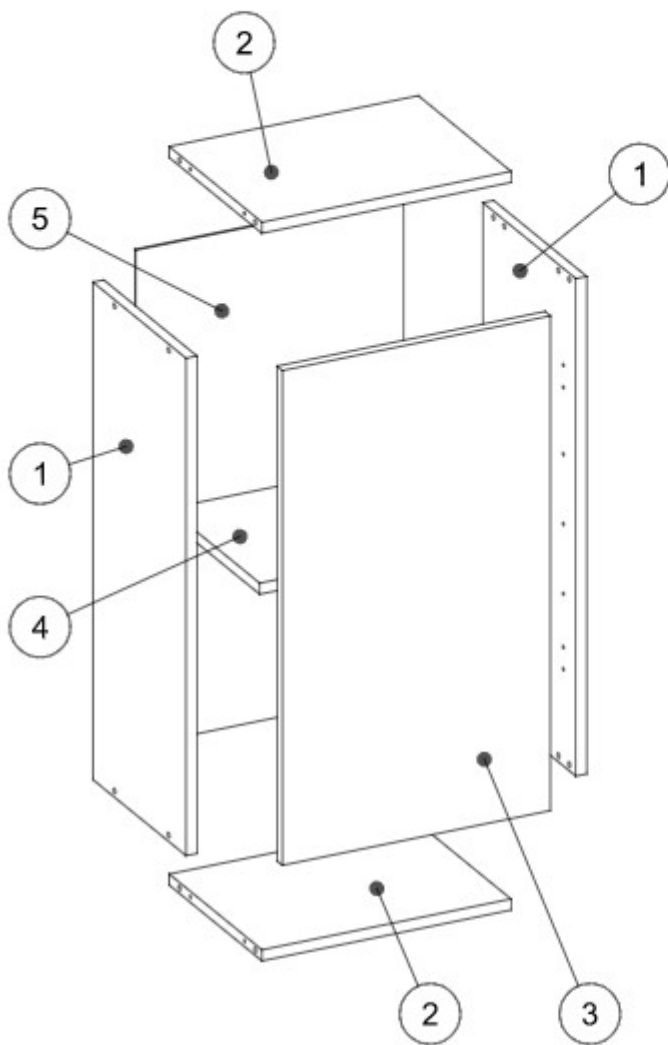
✓ ! ✗



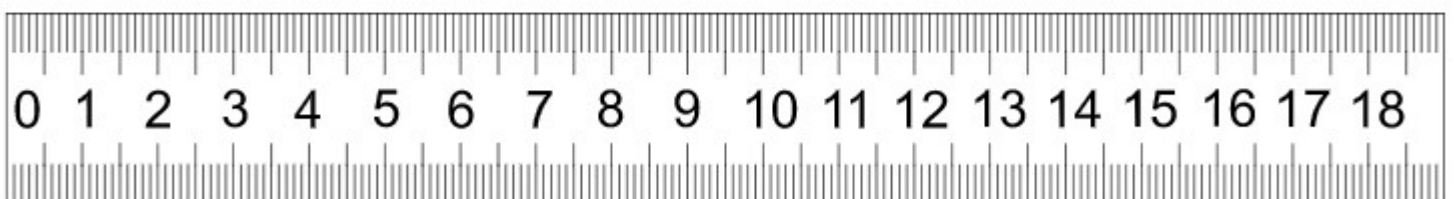
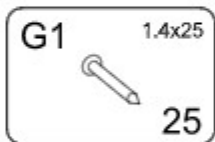
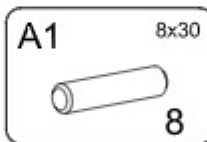
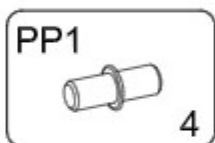
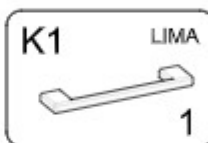
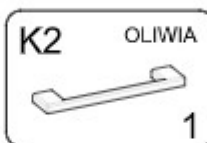
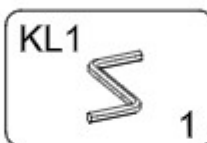
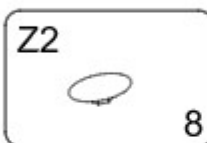
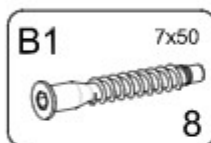
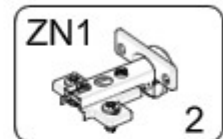


~90 min

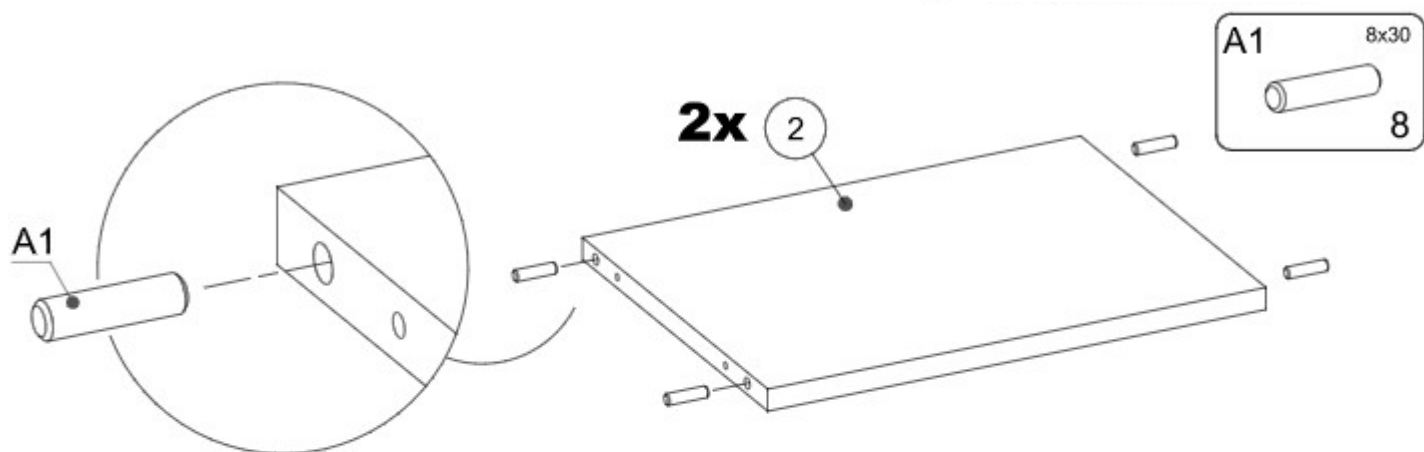




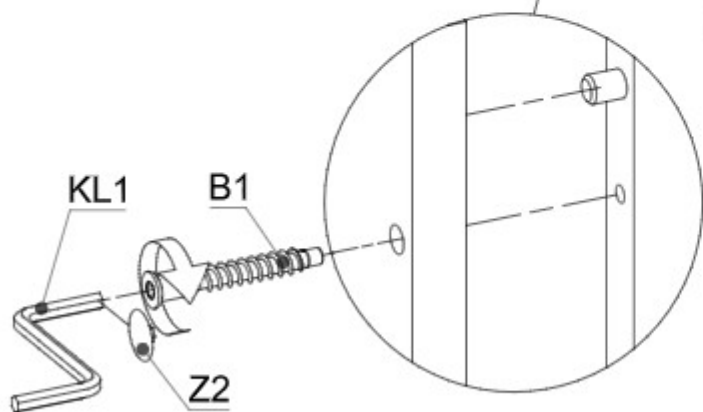
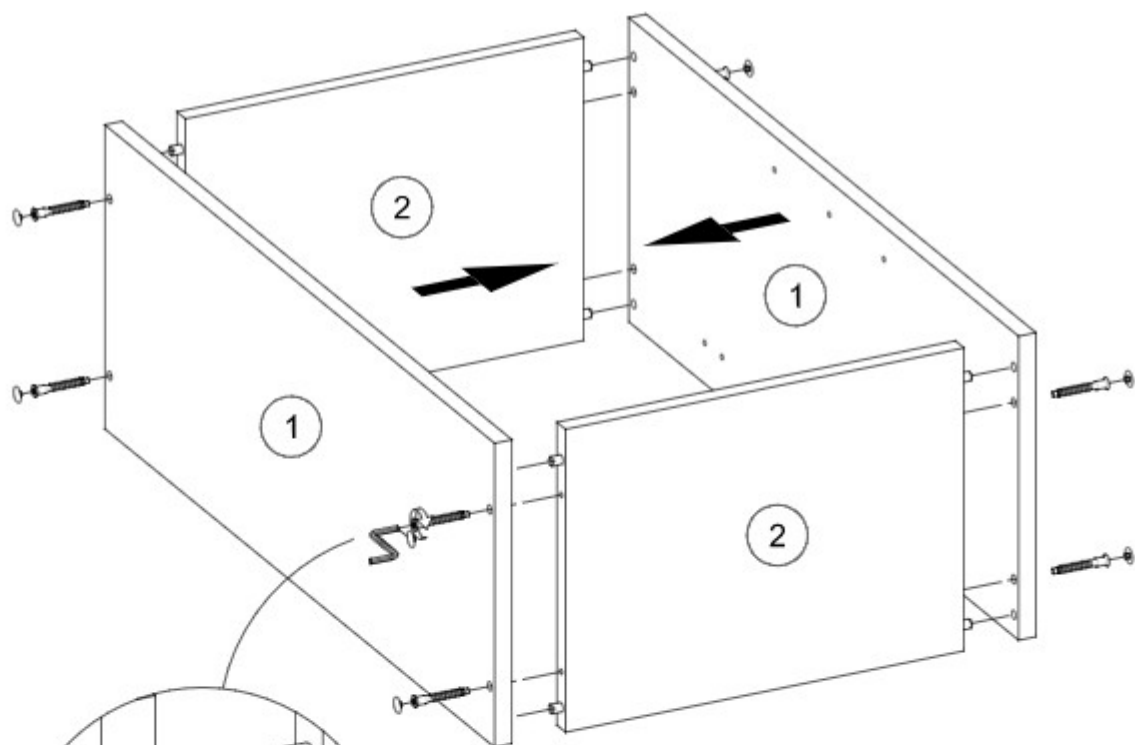
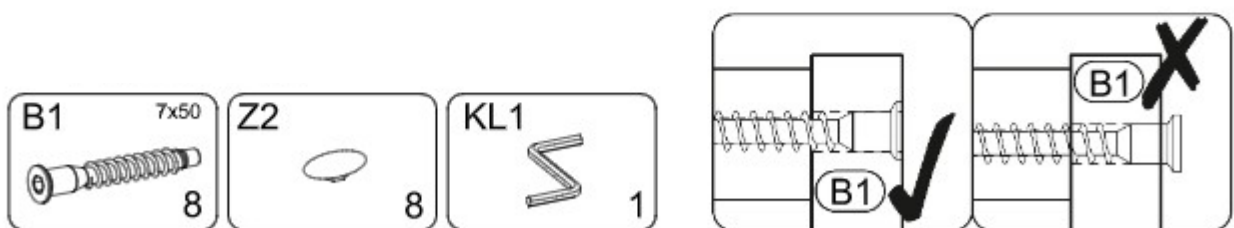
1	720x275x16mm	2
2	274x368x16mm	2
3	716x396x16mm	1
4	368x270x16mm	1
5	718x396x3mm	1



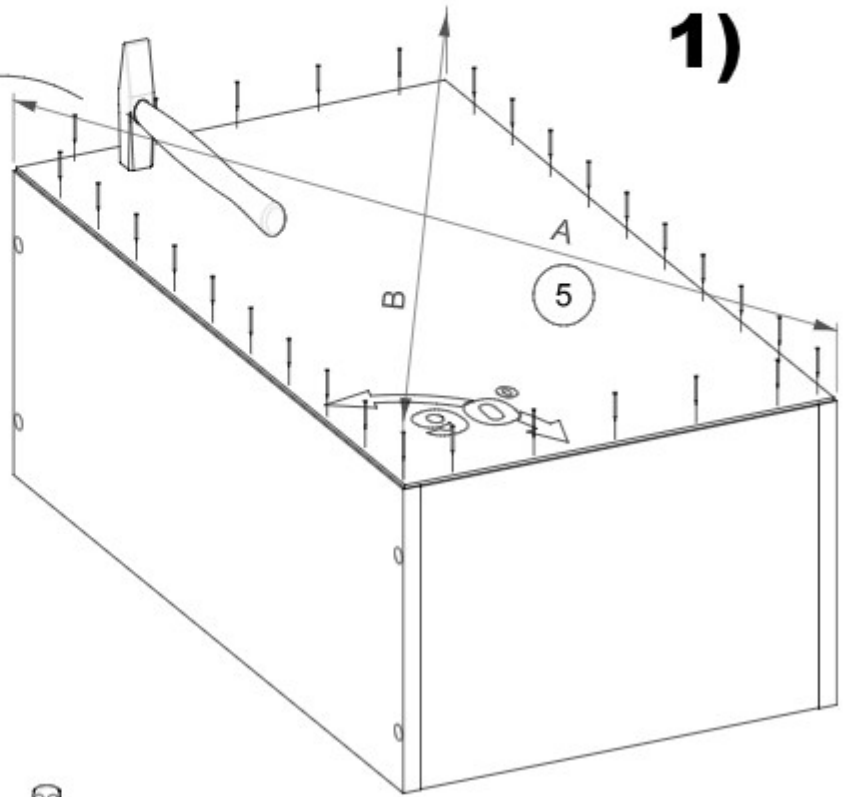
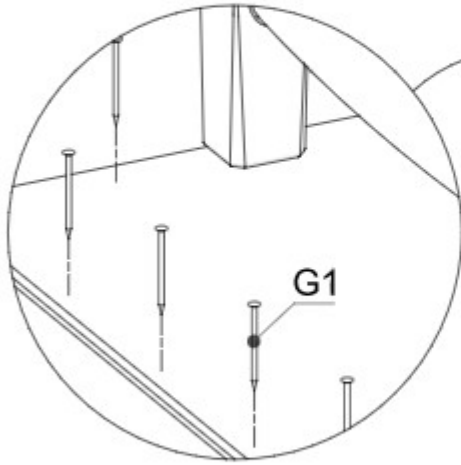
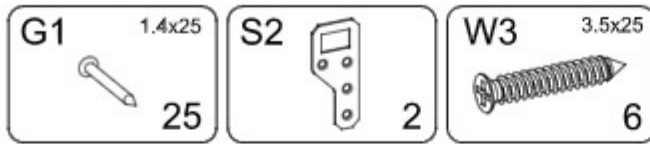
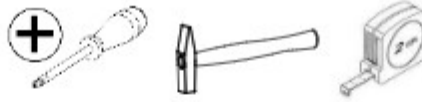
▶ 1



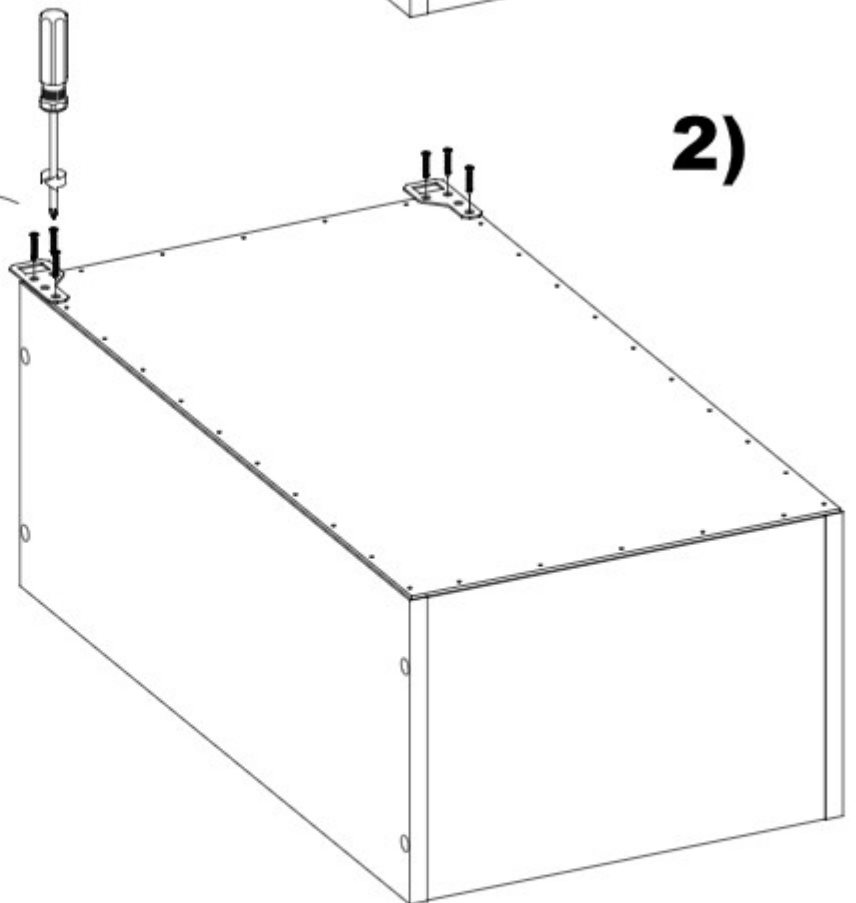
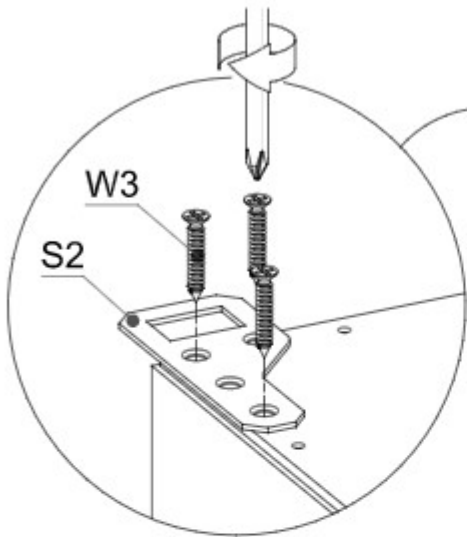
▶ 2



▶ 3

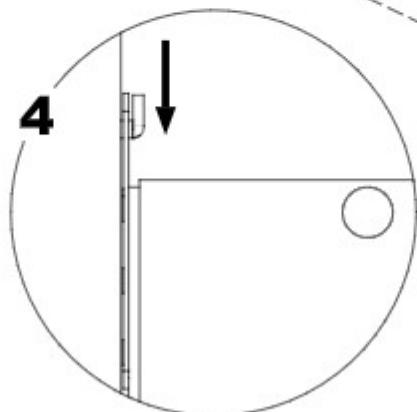
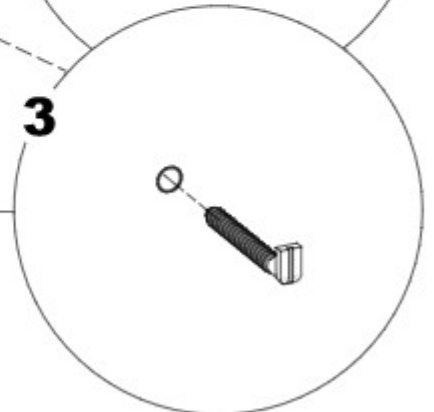
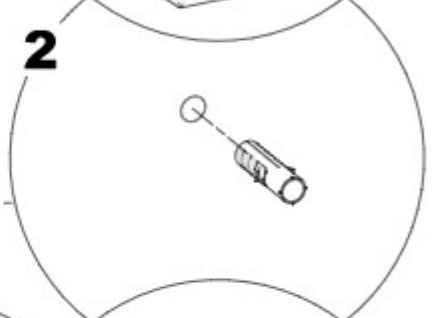
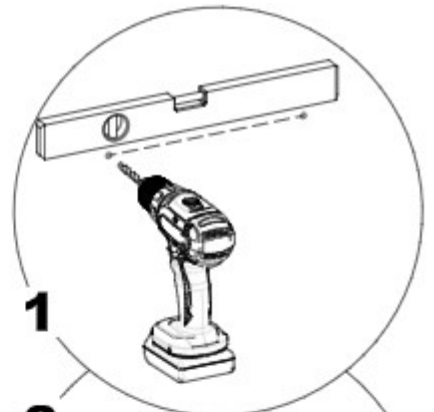
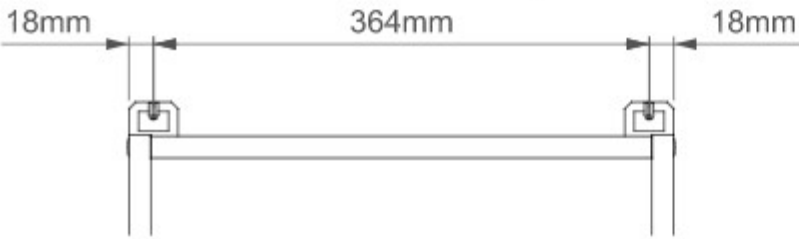
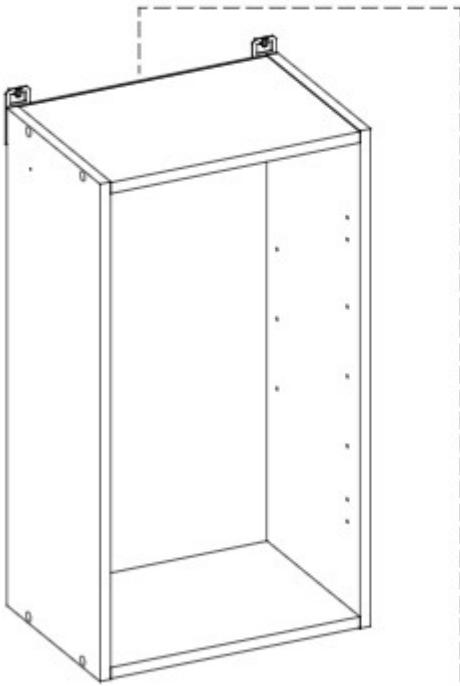
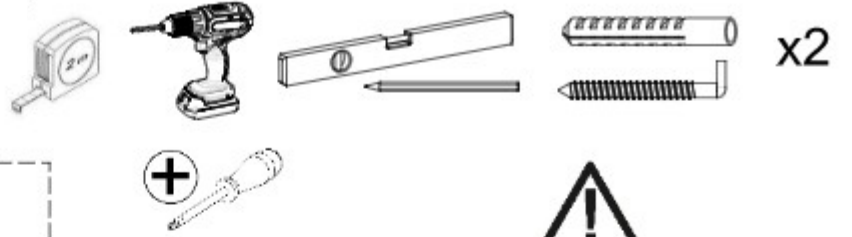


1)

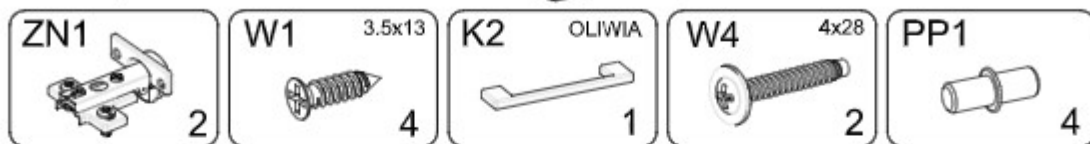


2)

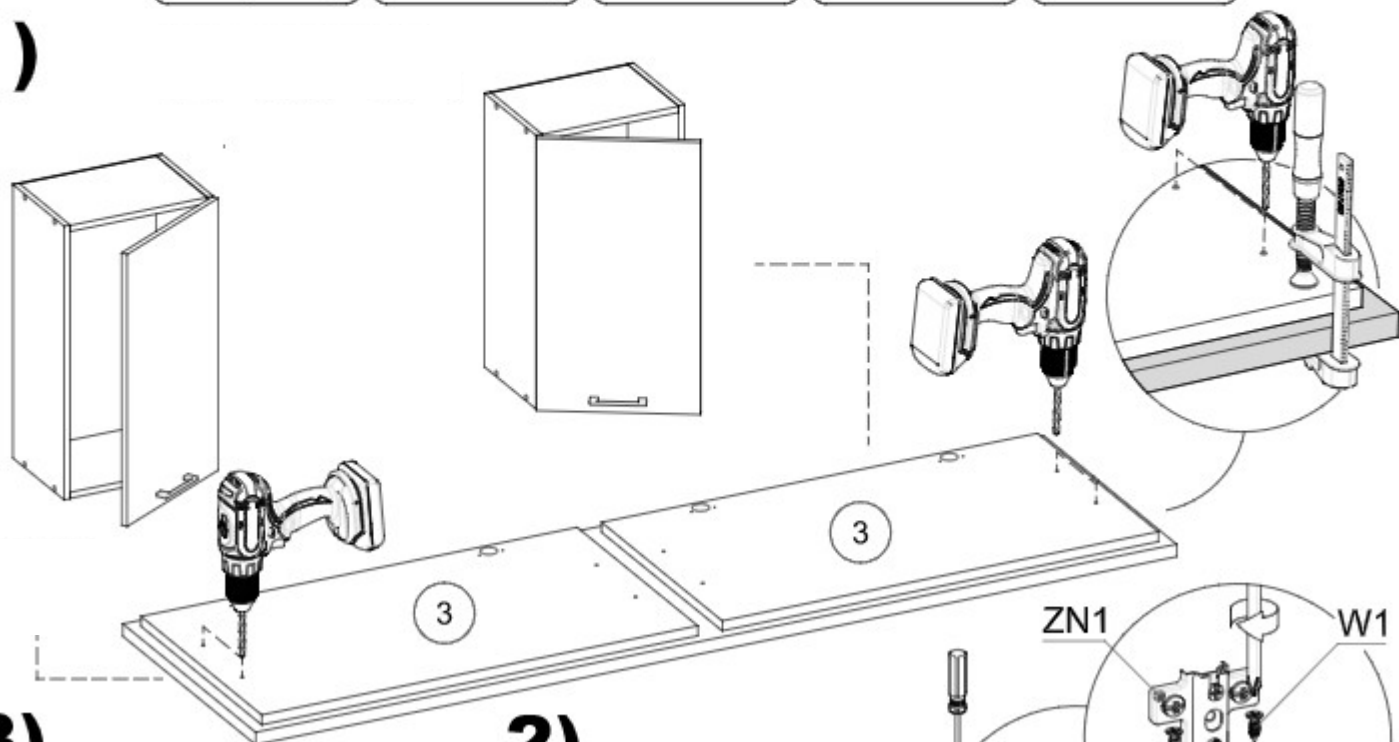
▶ 4



▶ 6



1)

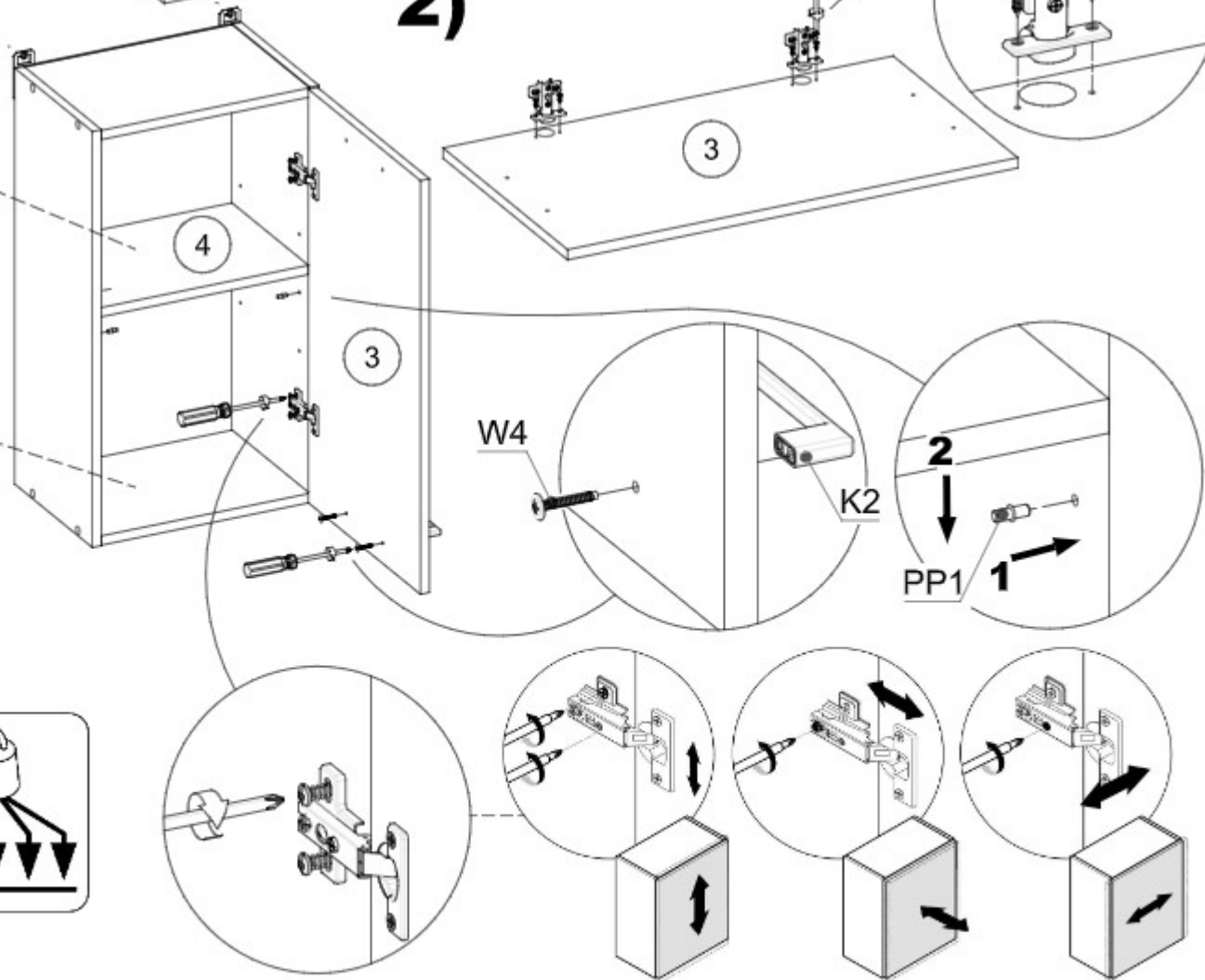
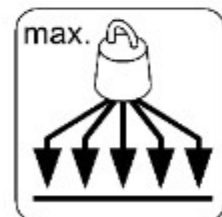


3)

2)

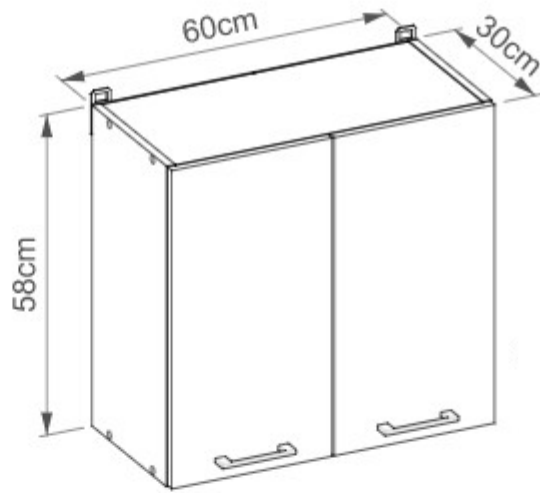
max 5kg

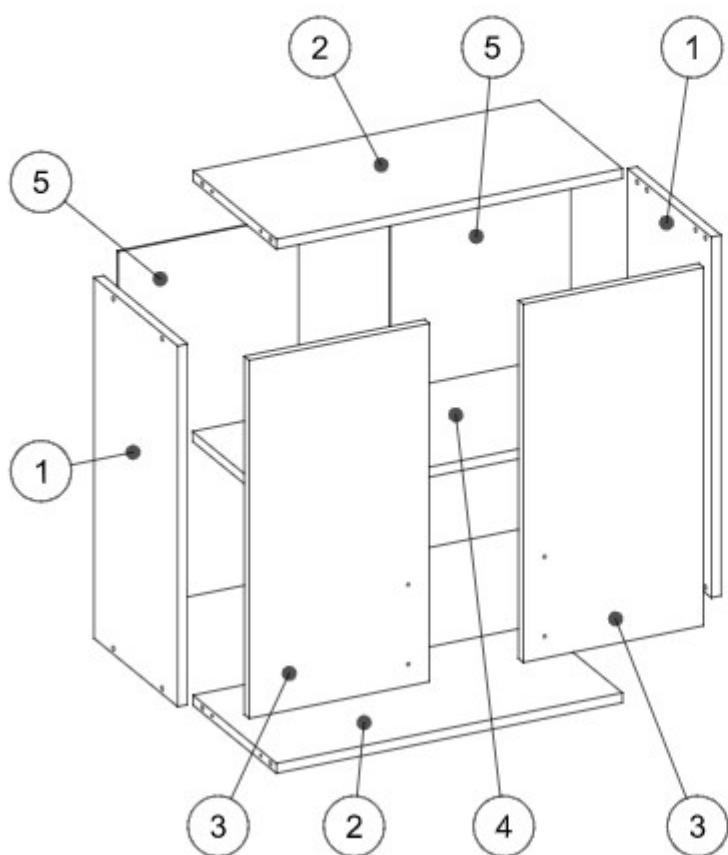
max 5kg



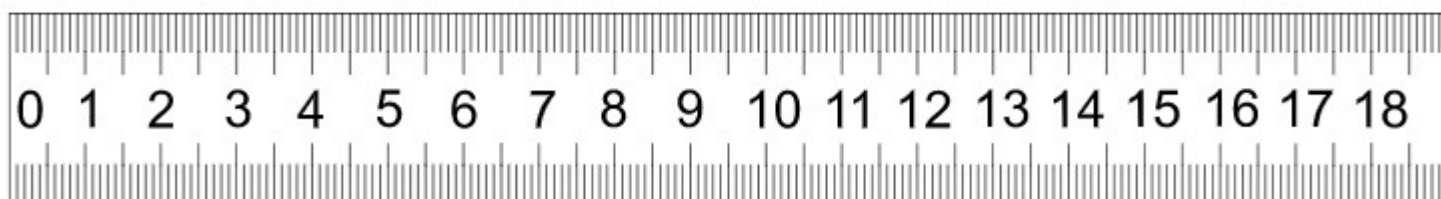
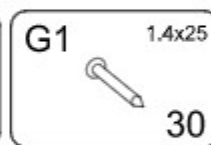
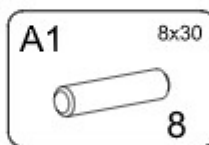
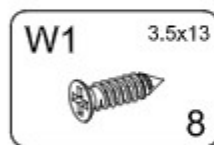
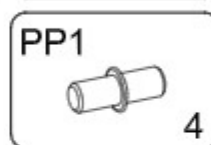
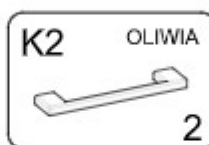
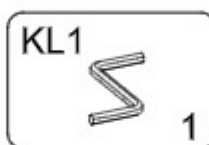
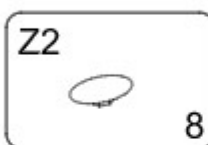
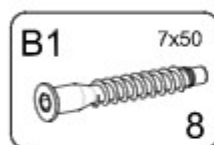


~90 min

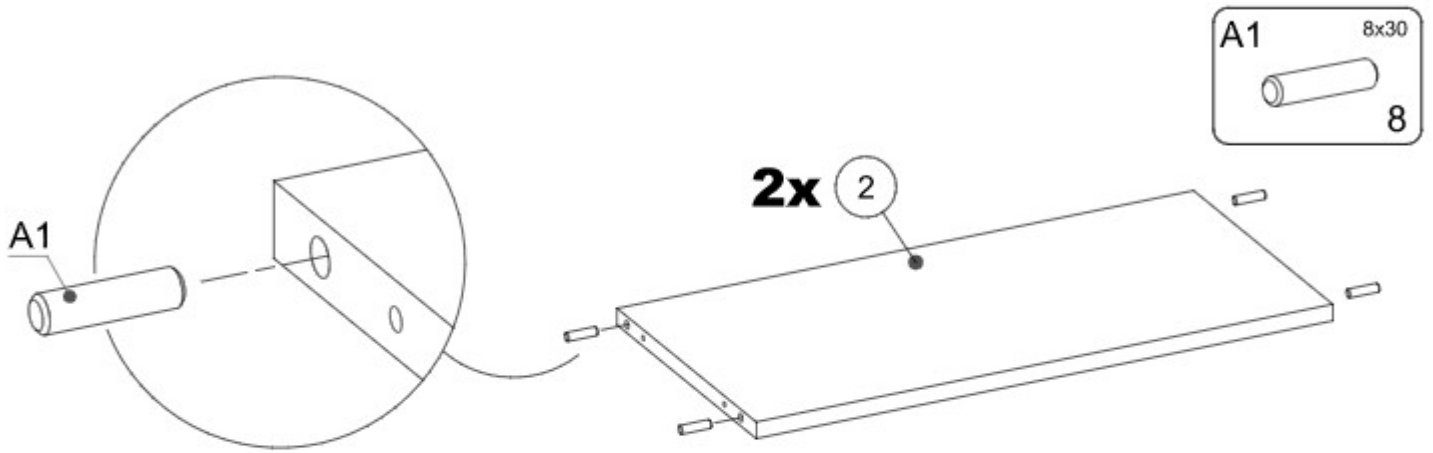




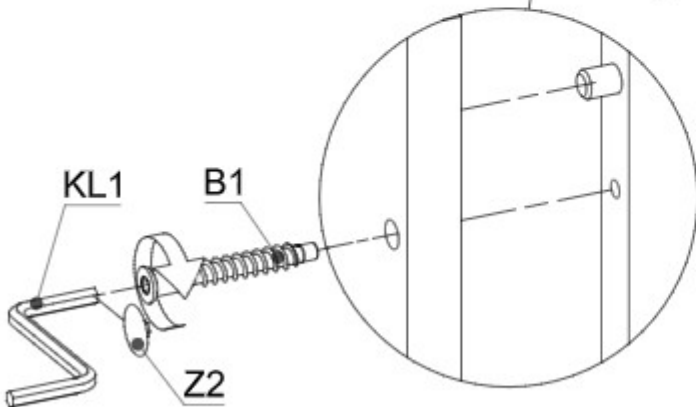
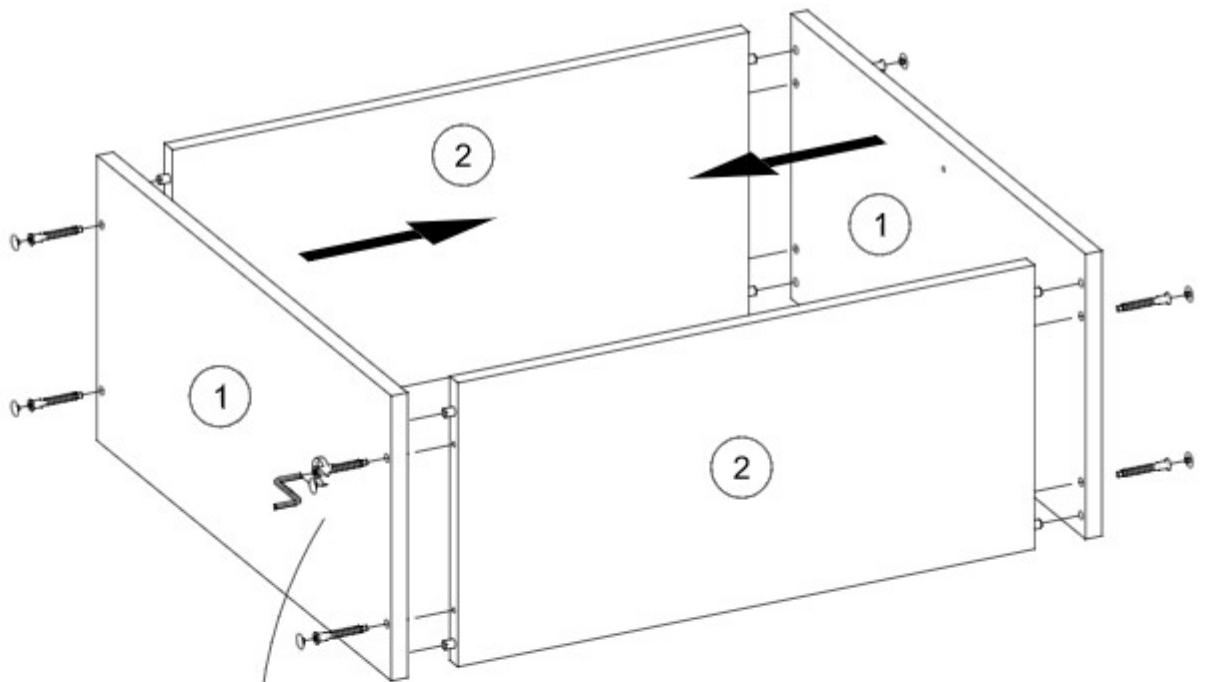
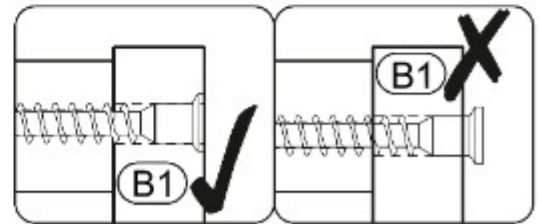
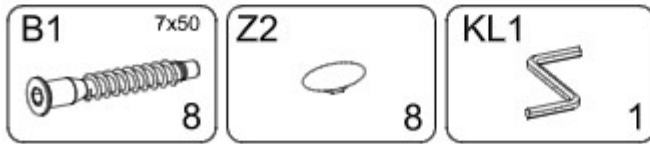
1	580x275x16mm	2
2	274x568x16mm	2
3	576x296x16mm	2
4	567x270x16mm	1
5	578x296x3mm	2



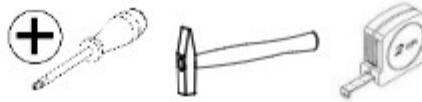
▶ 1



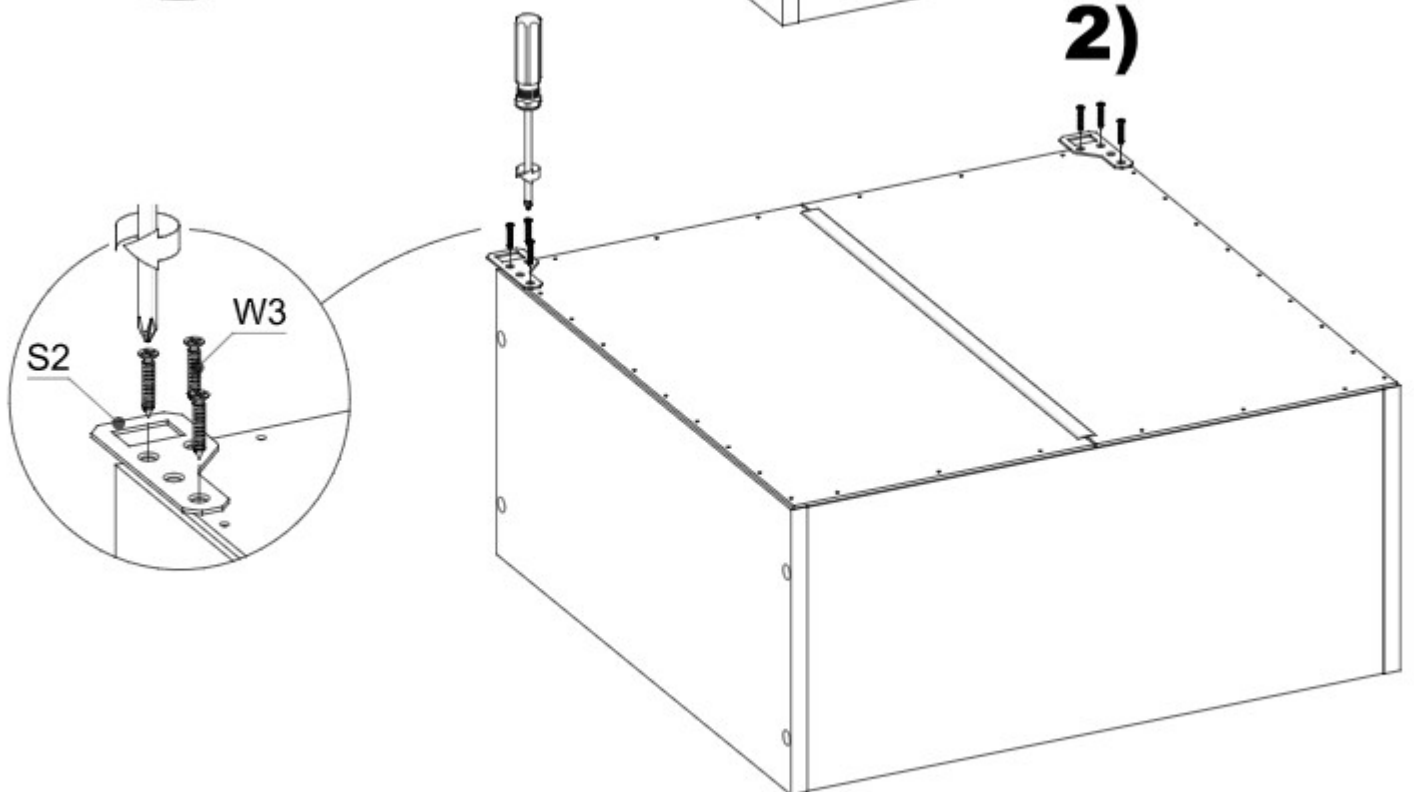
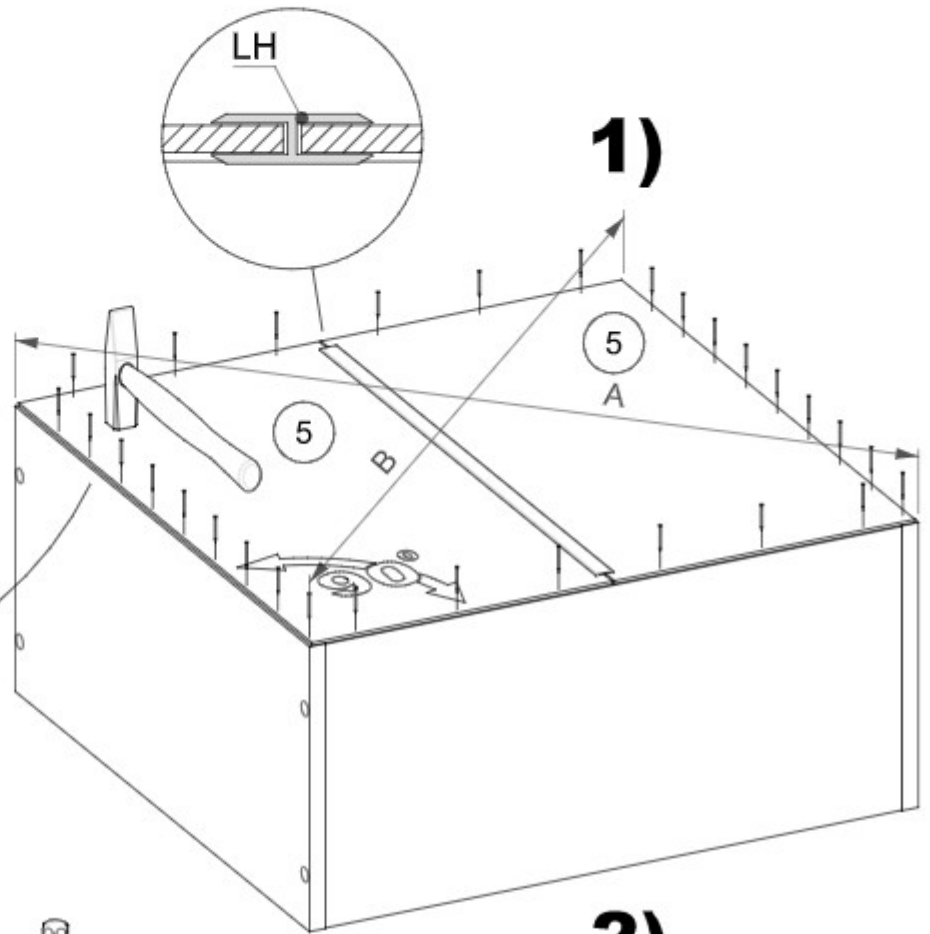
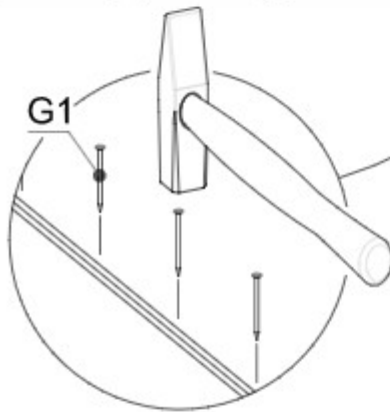
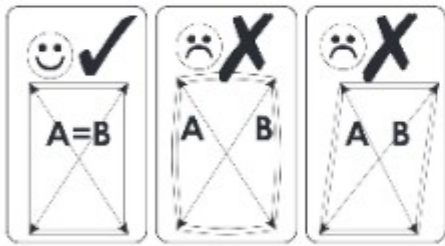
▶ 2



▶ 3



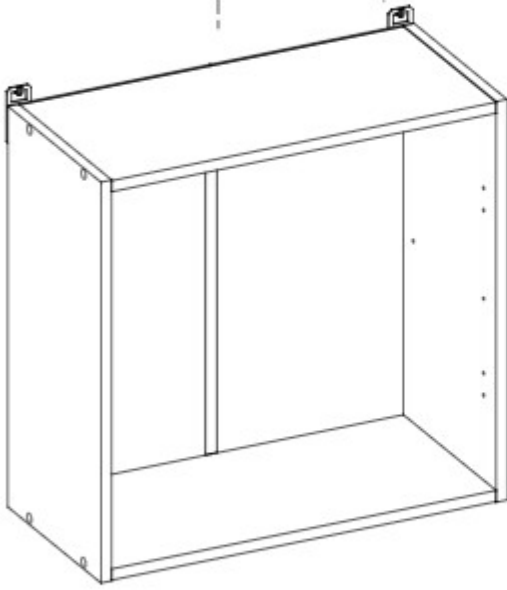
G1	1.4x25	S2	W3	3.5x25	LH	545mm	
	30		2		6		1



▶ 4



x2



18mm

564mm

18mm

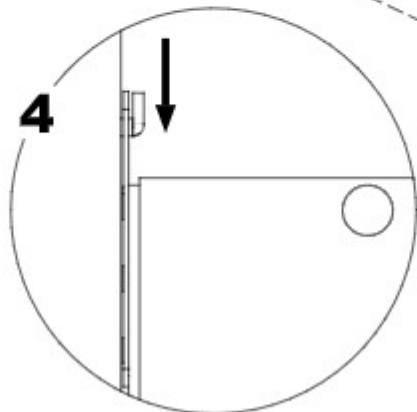
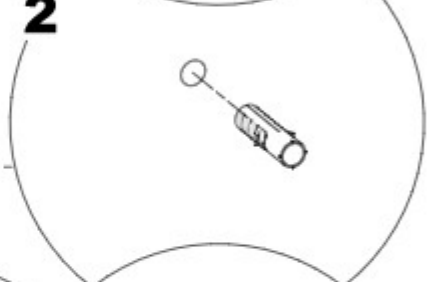
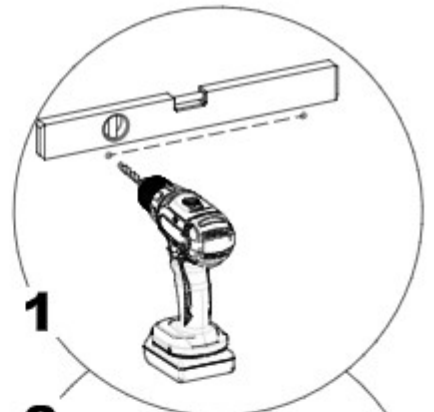


1

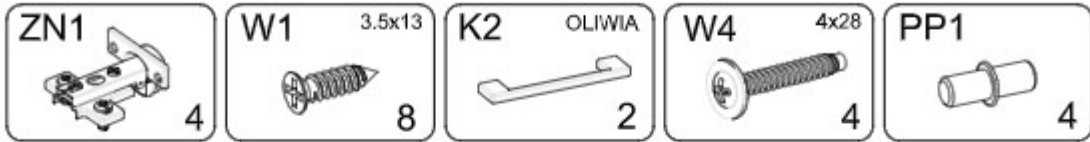
2

3

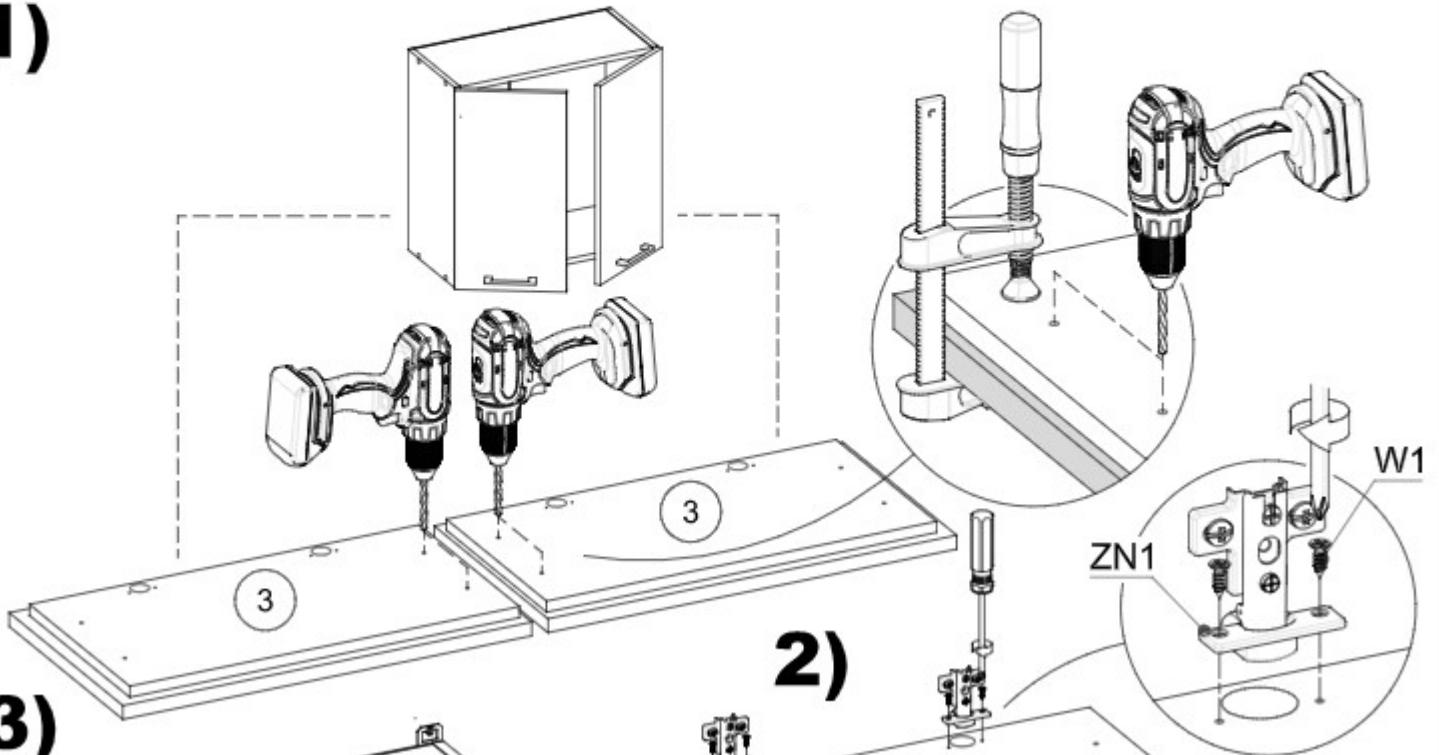
4



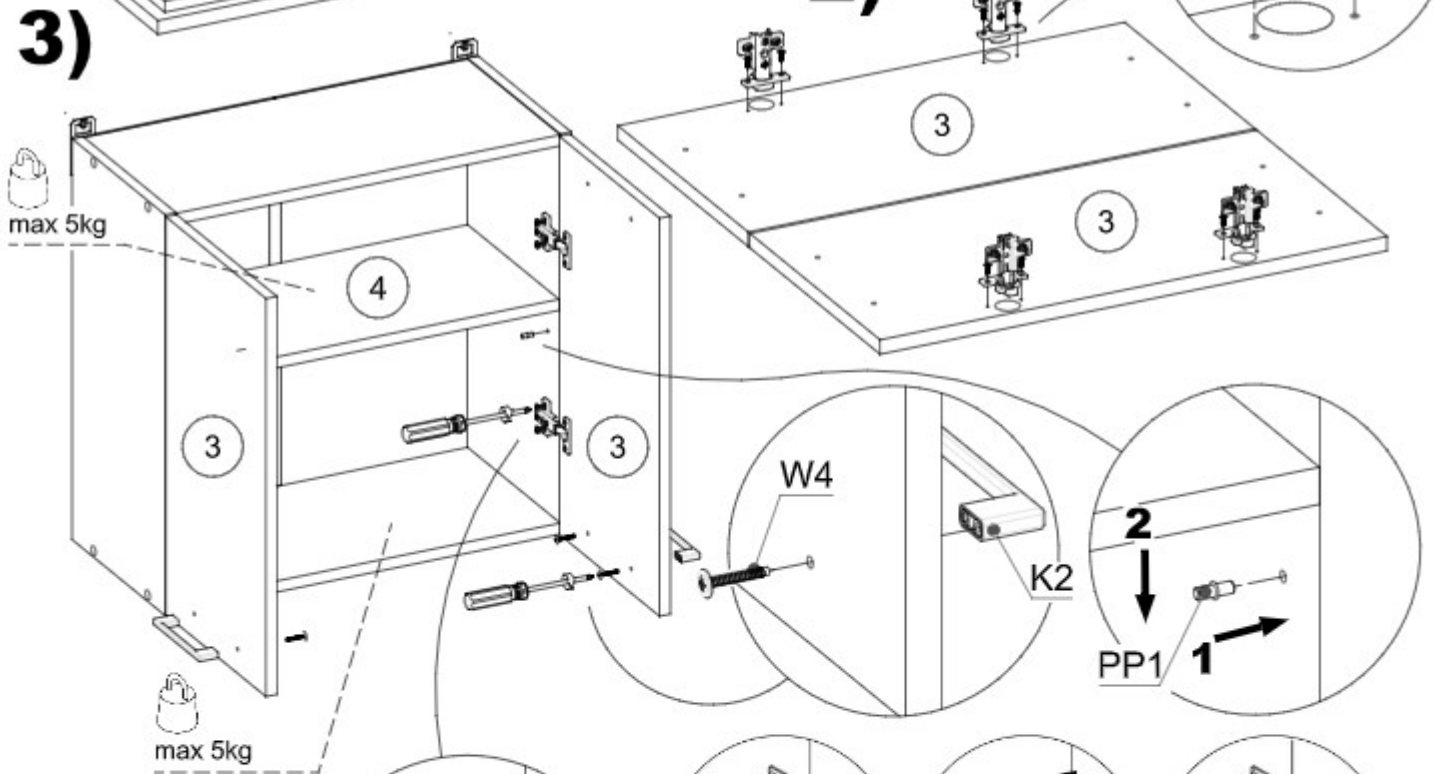
▶ 6



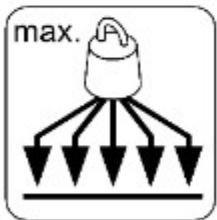
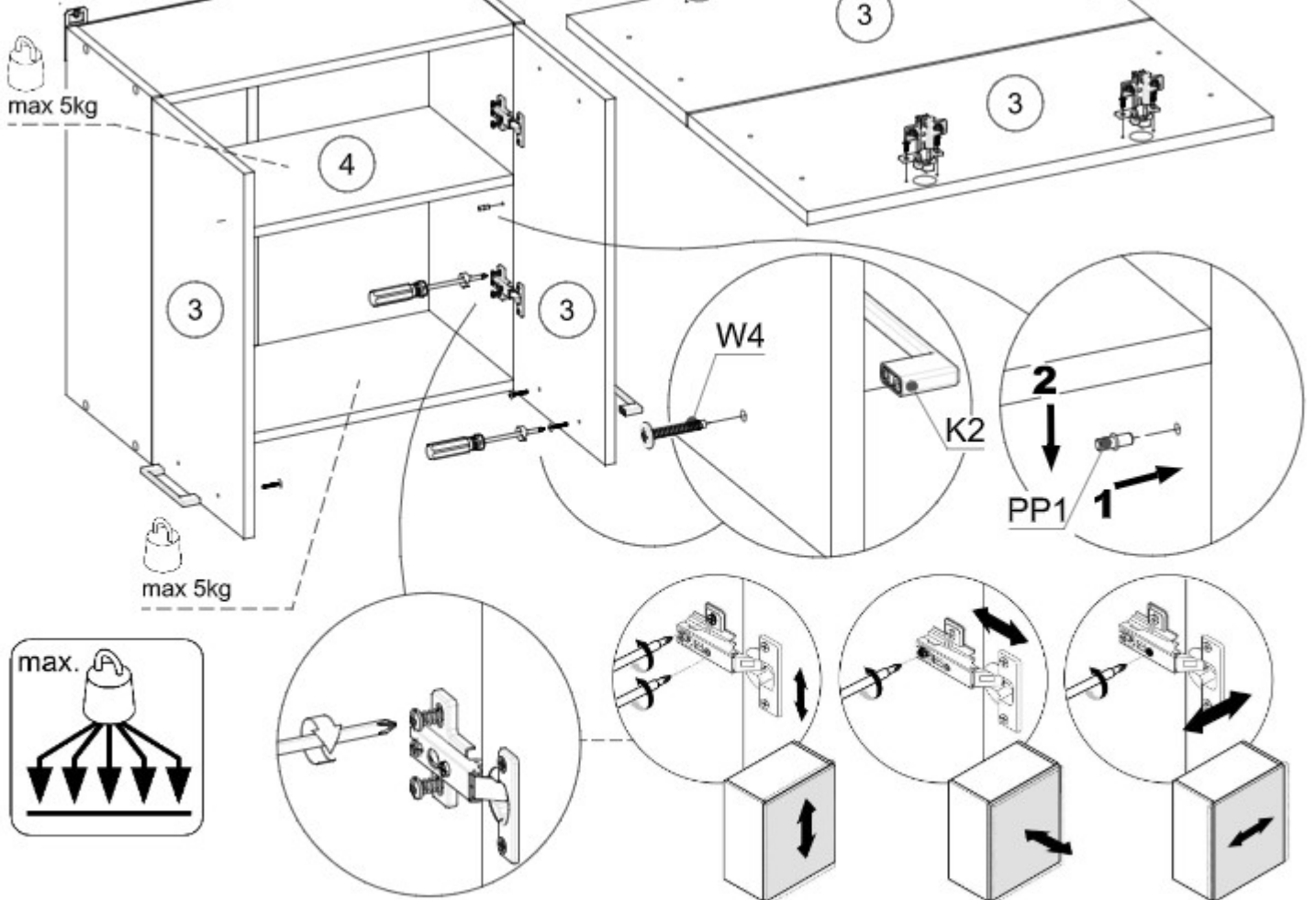
1)



2)



3)

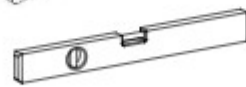
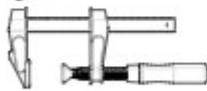




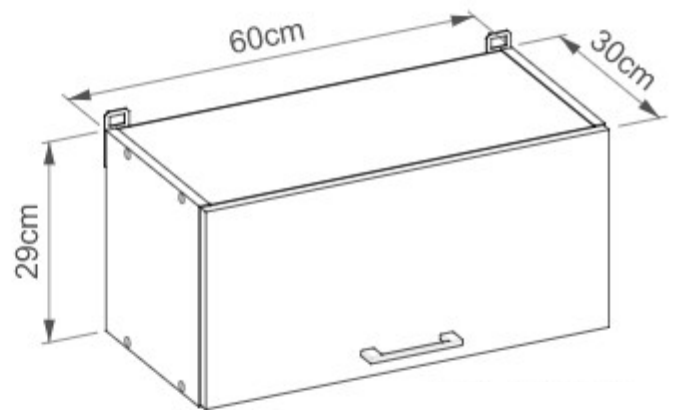
~90 min



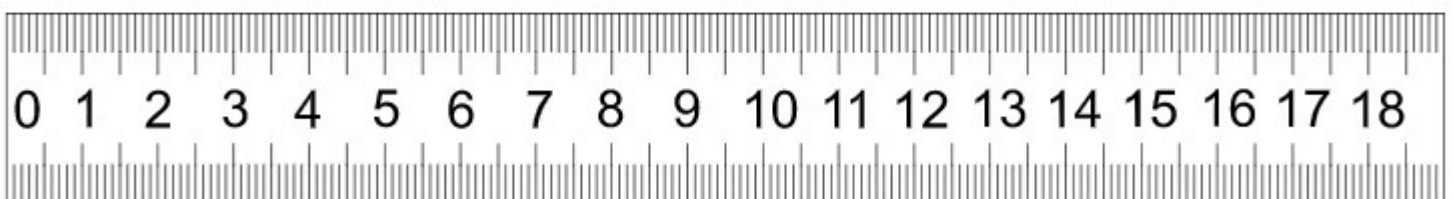
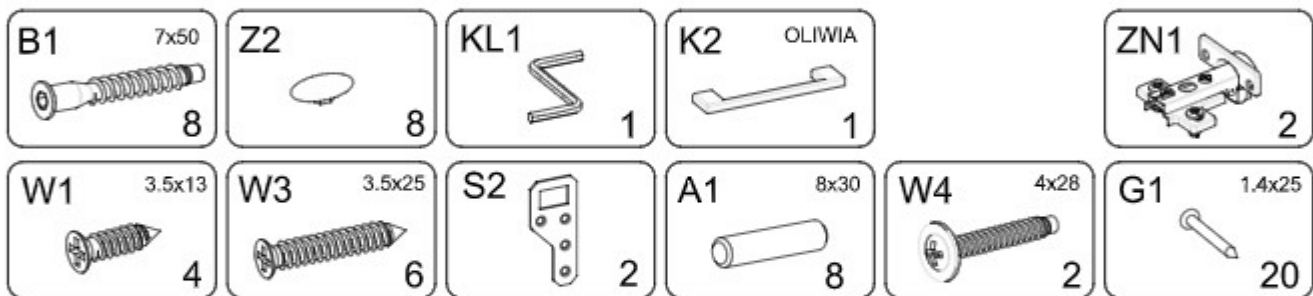
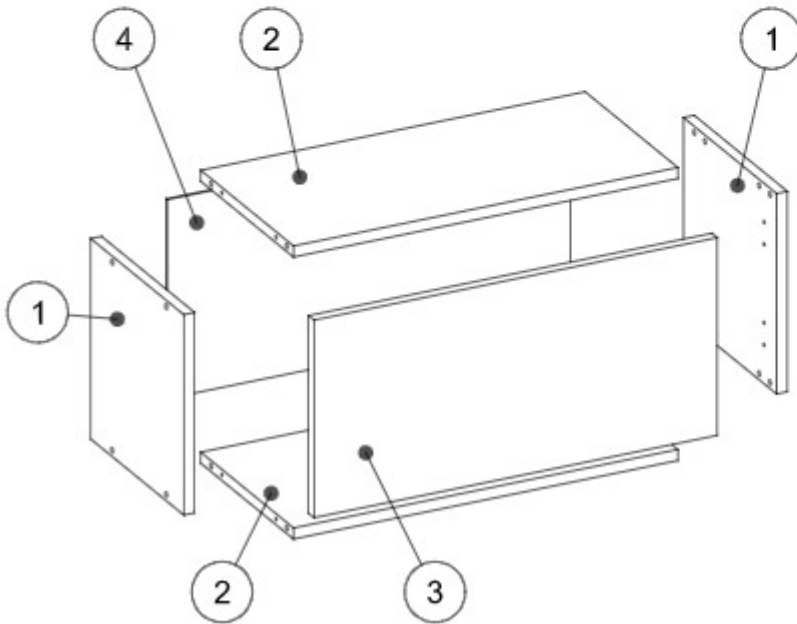
x2



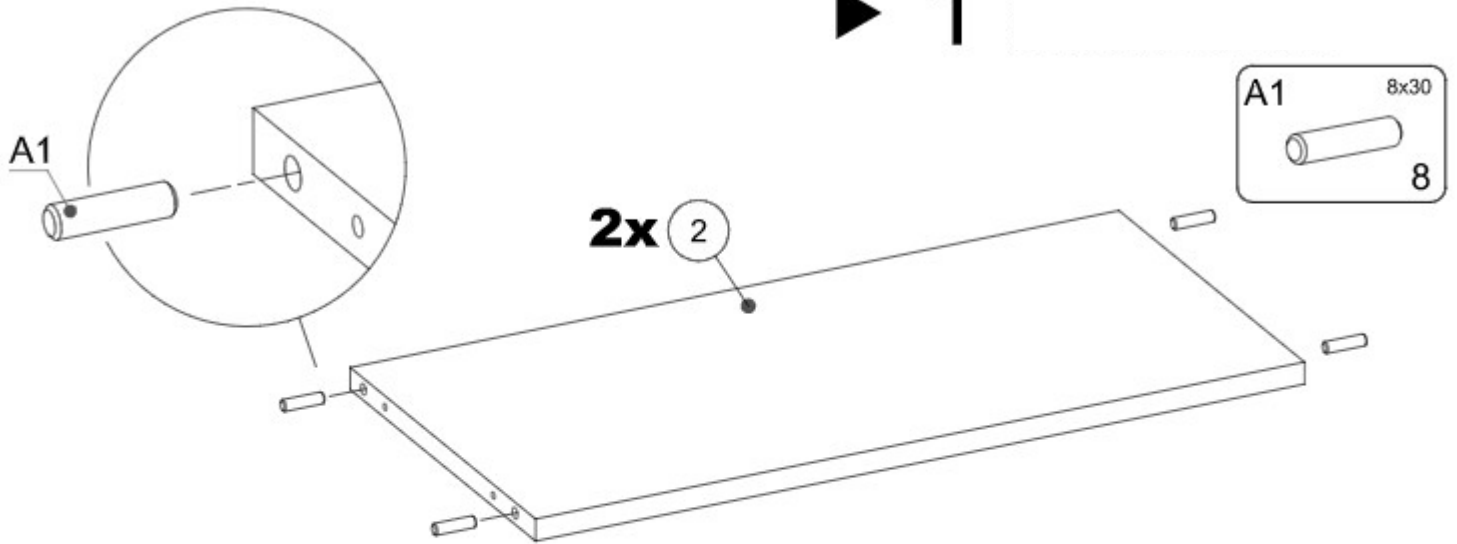
Ø 5mm



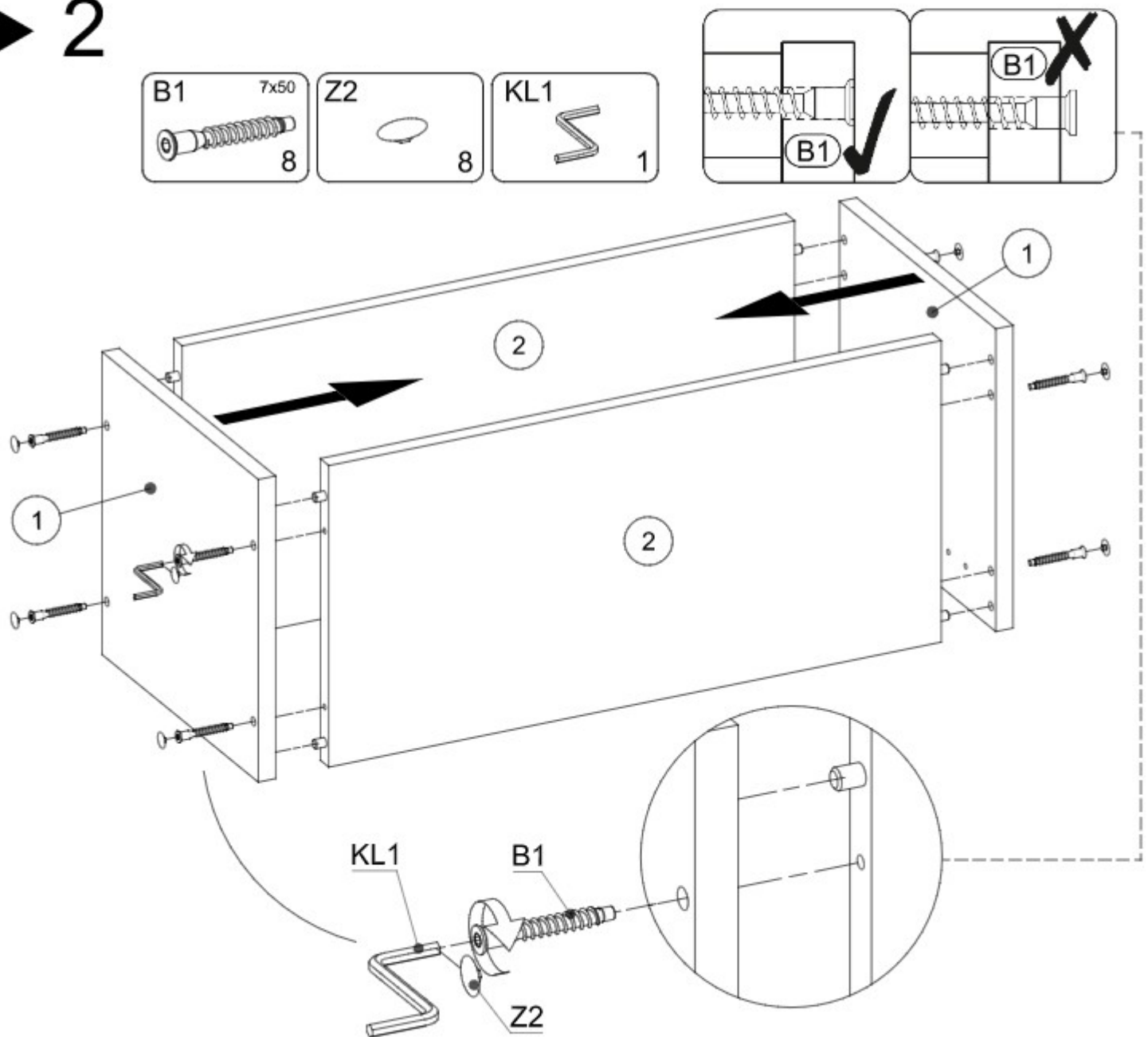
1	290x275x16mm	2
2	274x568x16mm	2
3	286x596x16mm	1
4	288x596x3mm	1



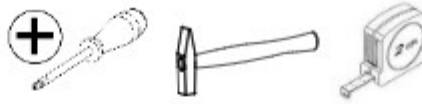
▶ 1



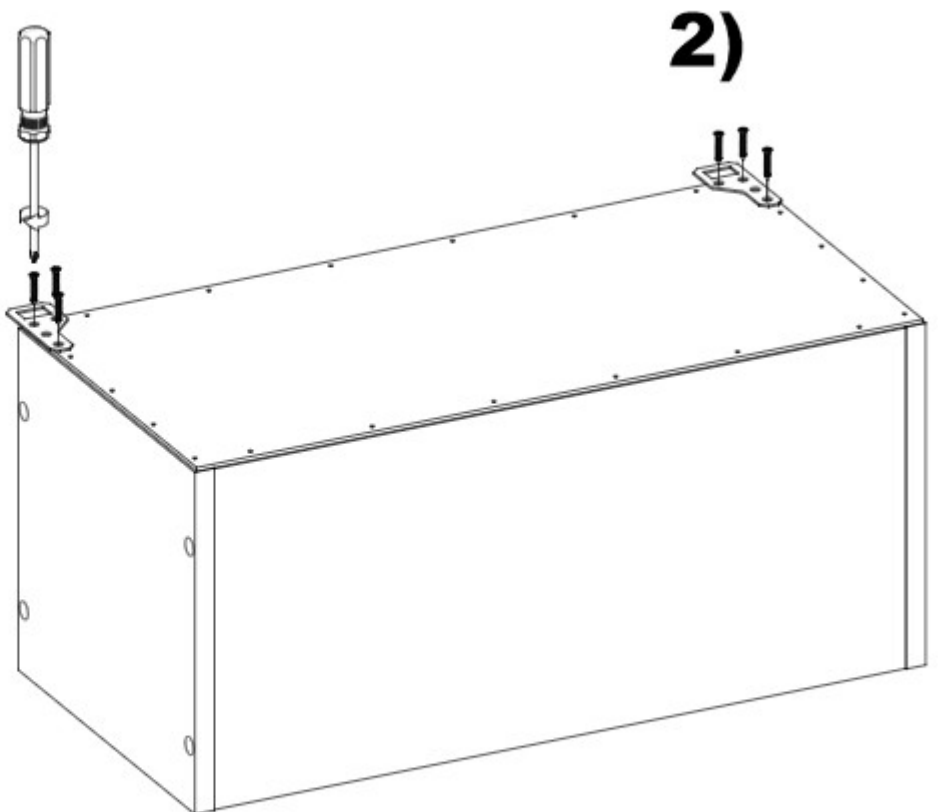
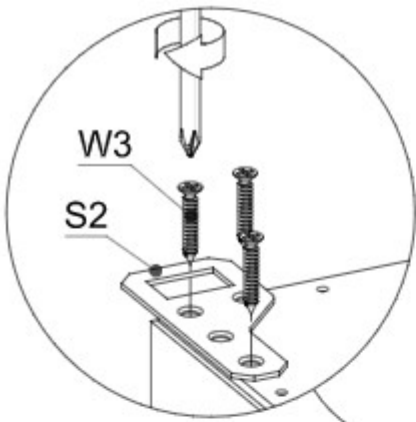
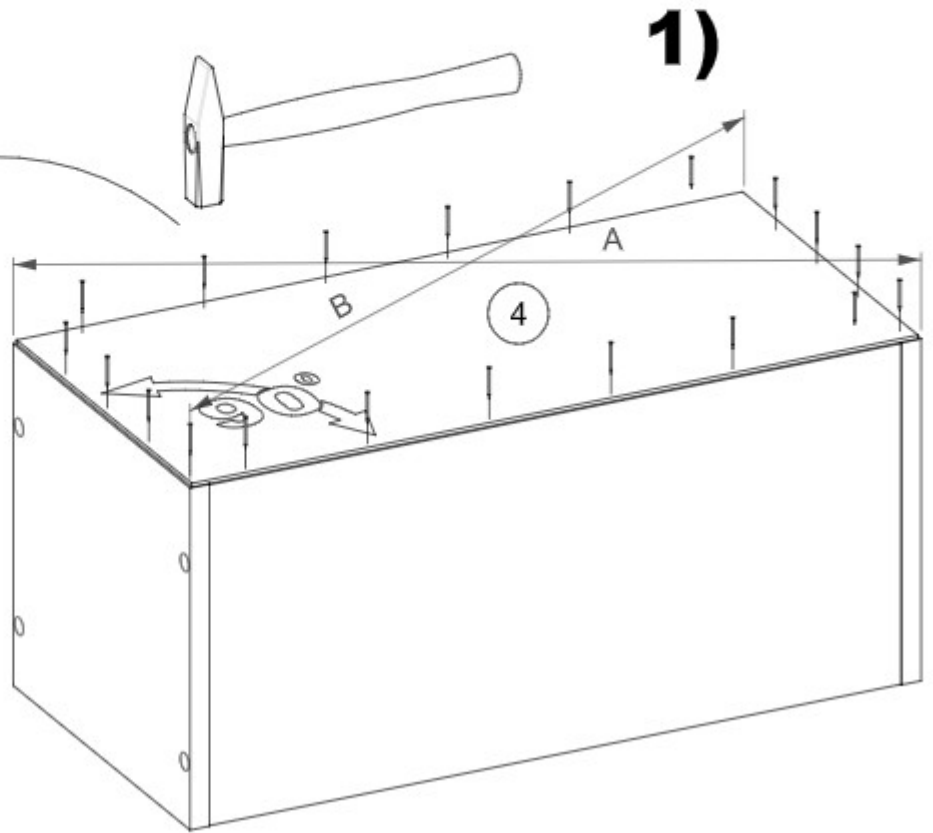
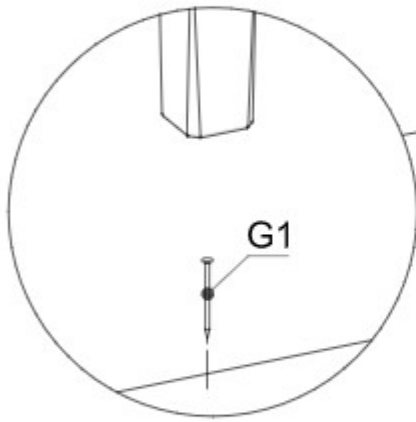
▶ 2



▶ 3



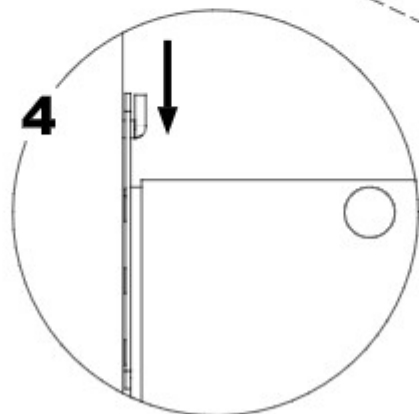
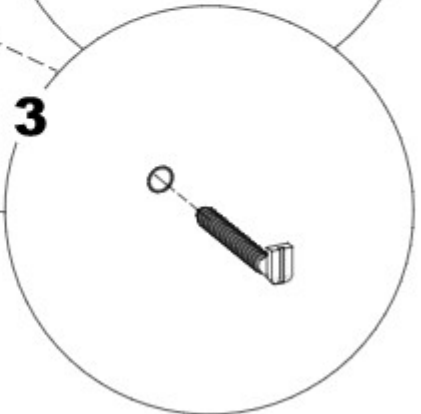
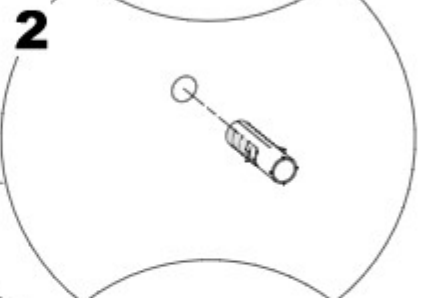
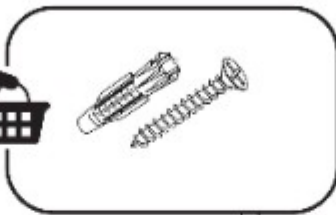
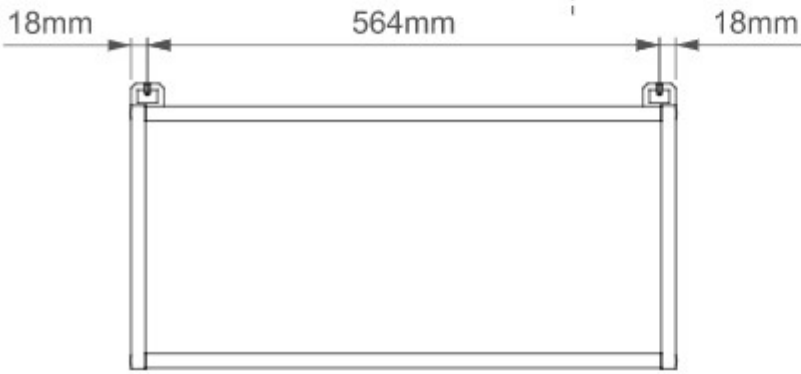
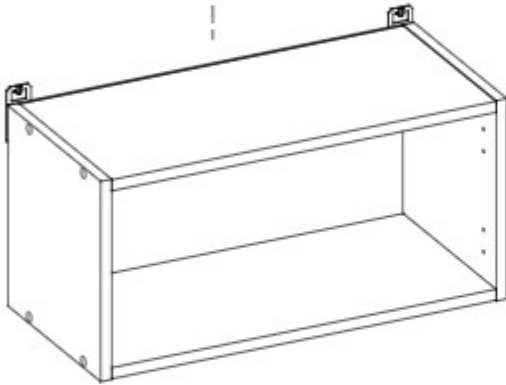
G1	1.4x25	S2	2	W3	3.5x25
	20		6		



▶ 4

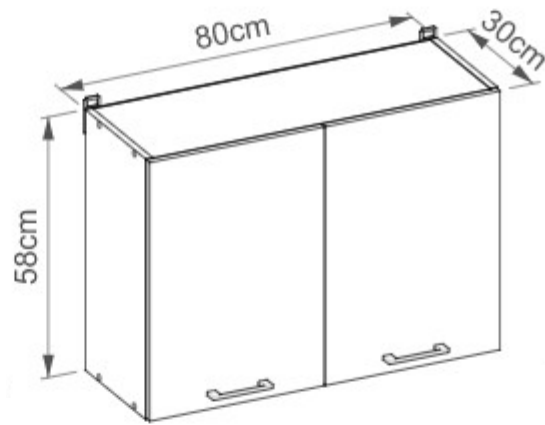


x2

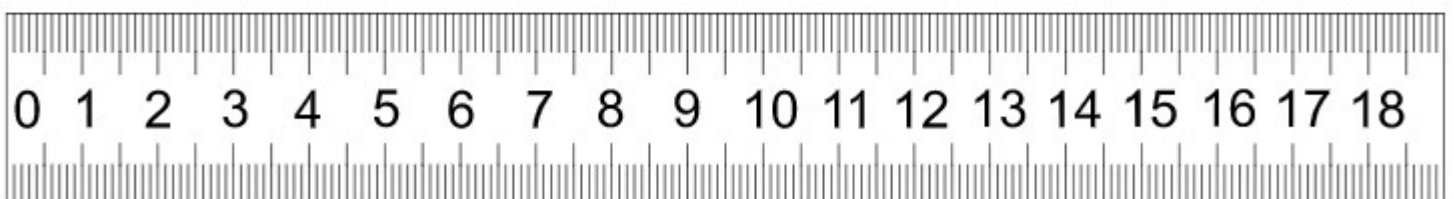
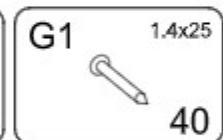
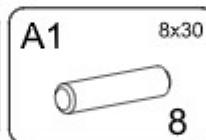
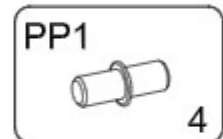
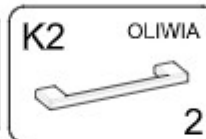
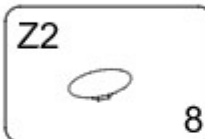
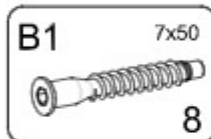
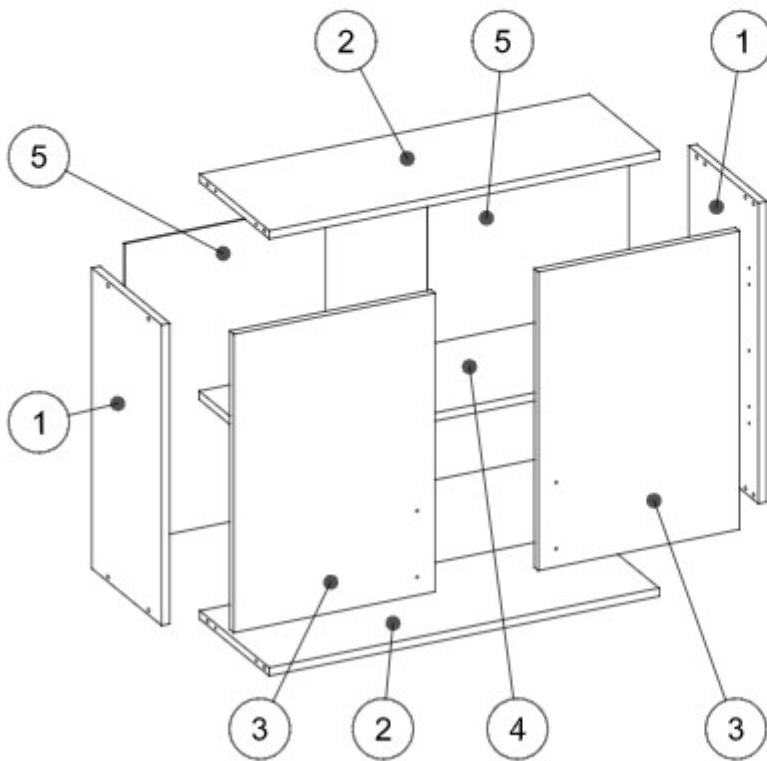




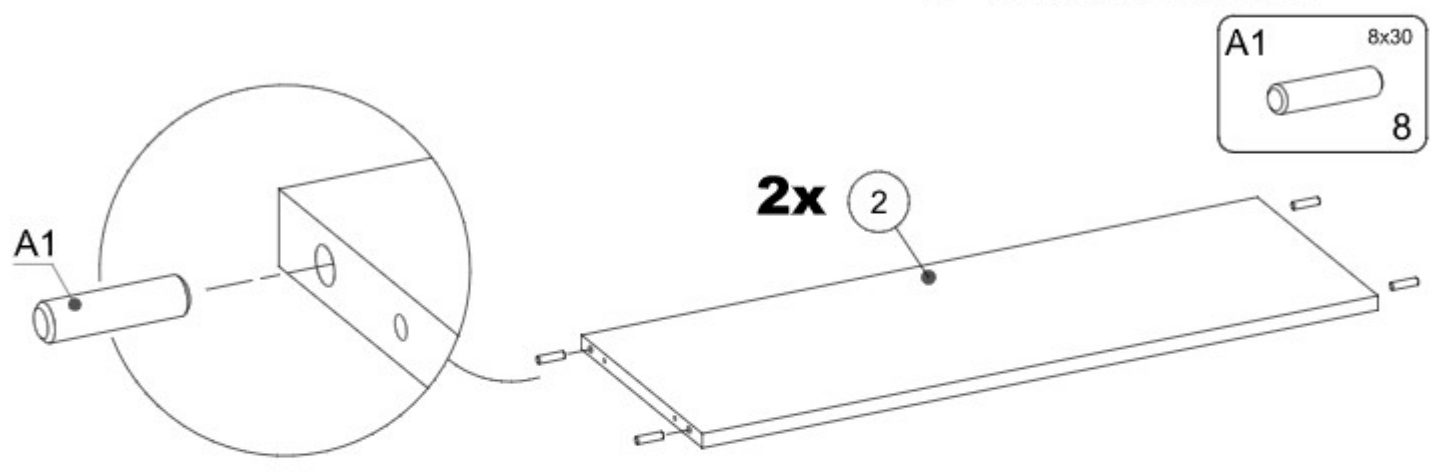
~90 min



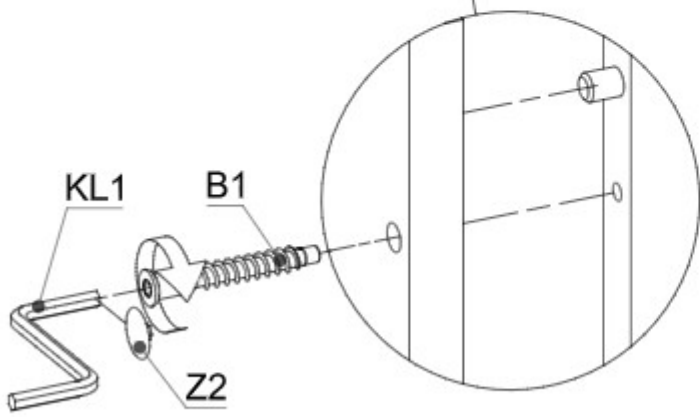
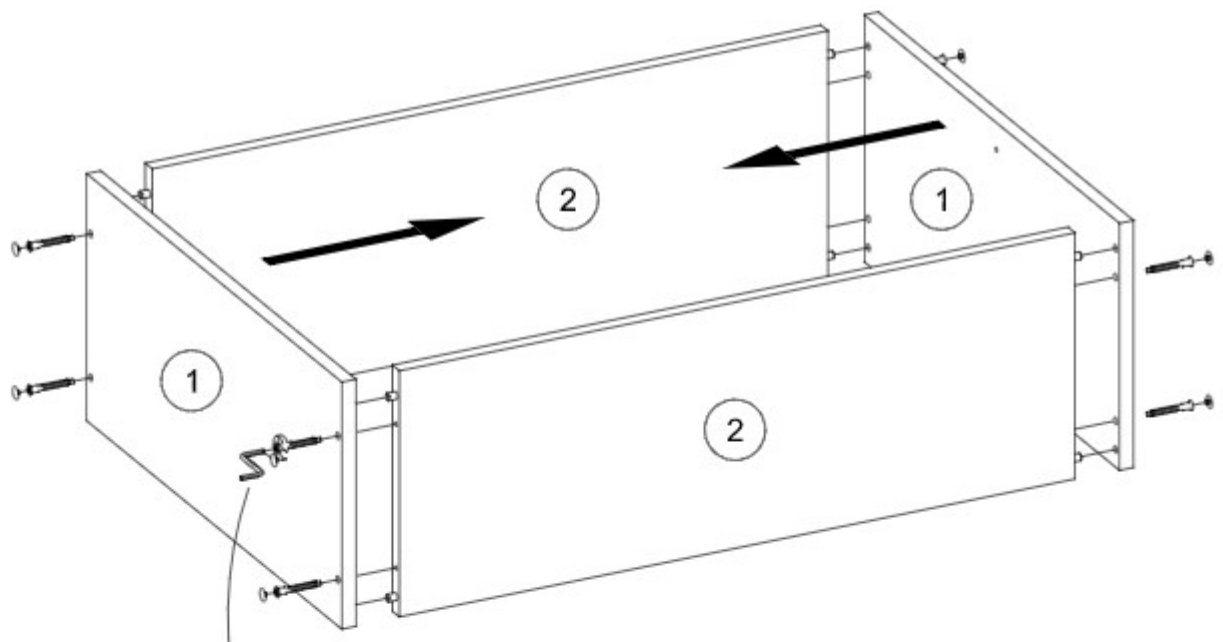
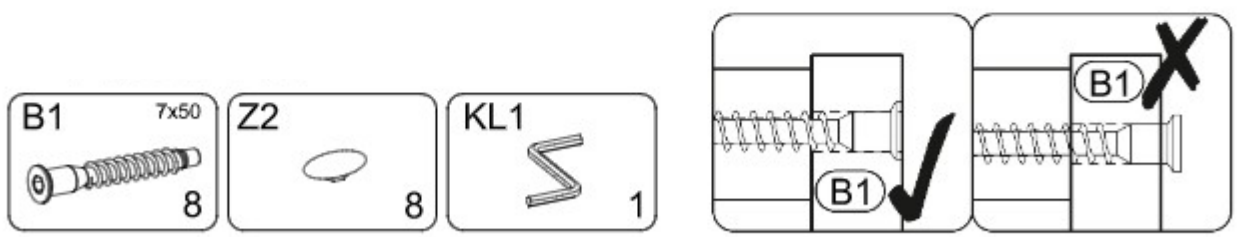
1	580x275x16mm	2
2	274x768x16mm	2
3	576x396x16mm	2
4	768x270x16mm	1
5	578x396x3mm	2



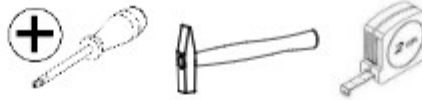
▶ 1



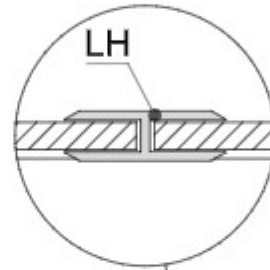
▶ 2



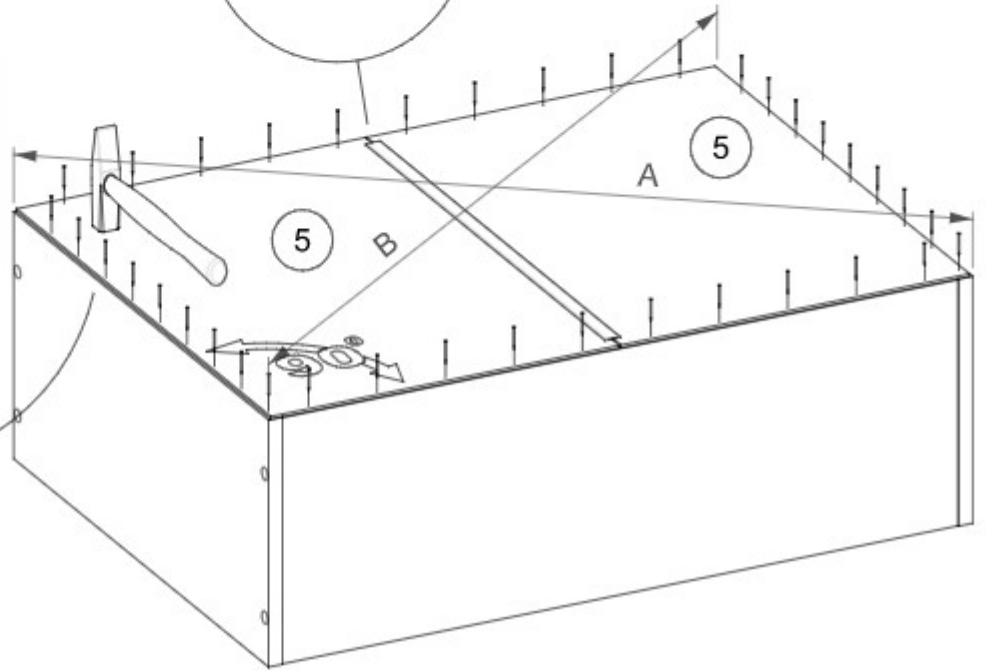
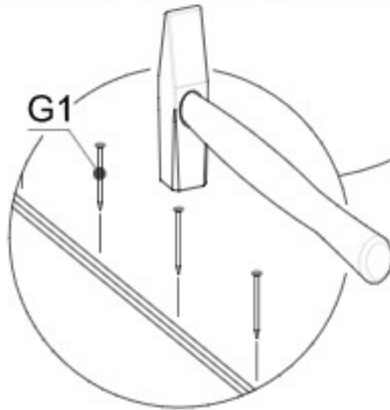
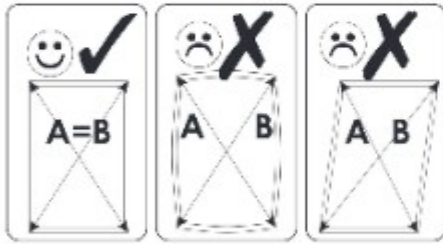
▶ 3



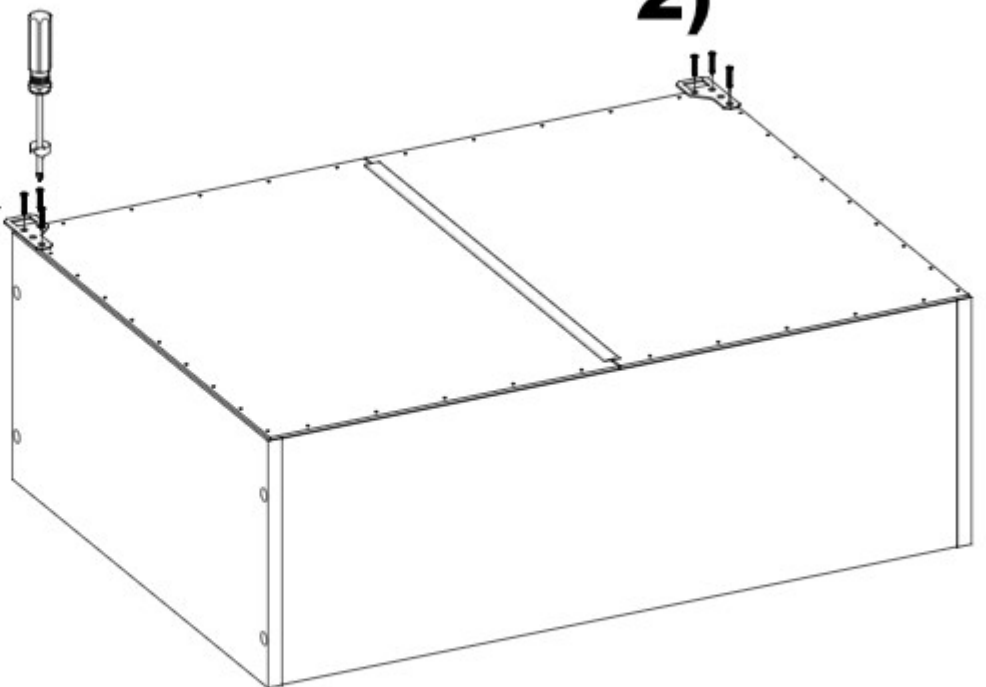
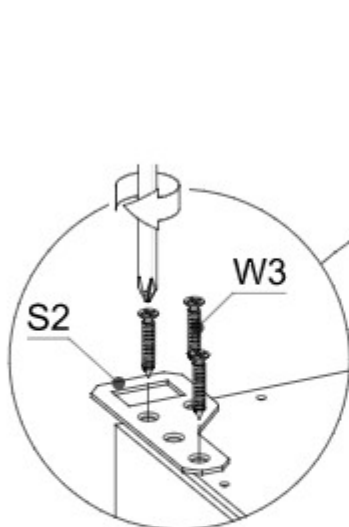
G1	1.4x25	S2	W3	3.5x25	LH	545mm
	40			6		1



1)



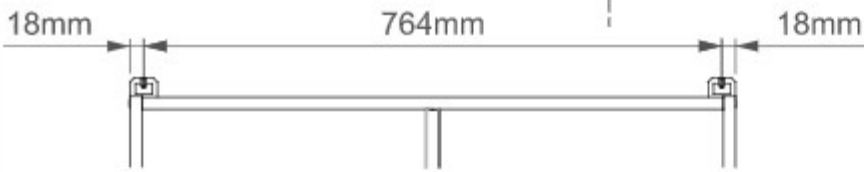
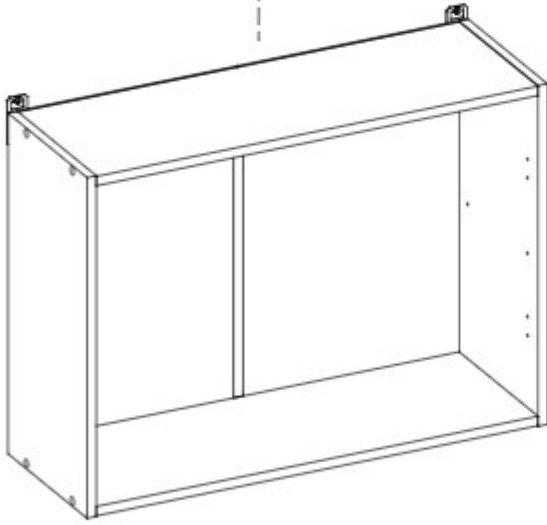
2)



▶ 4



x2



1

2

3

4

