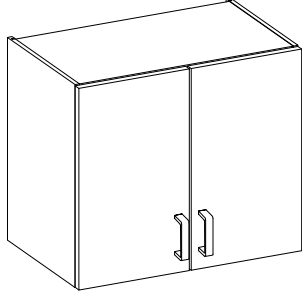
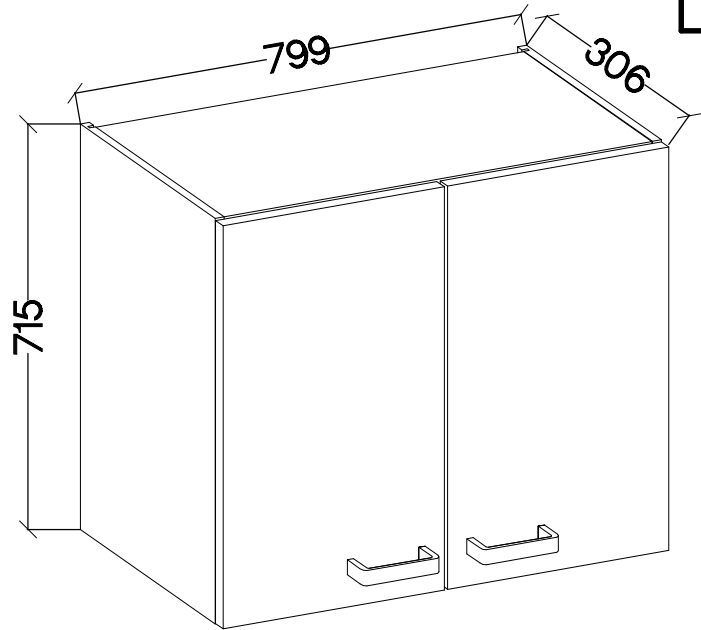
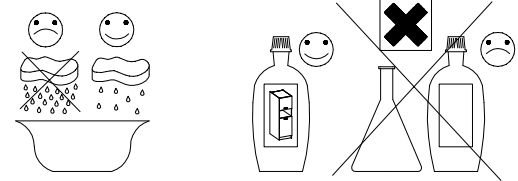
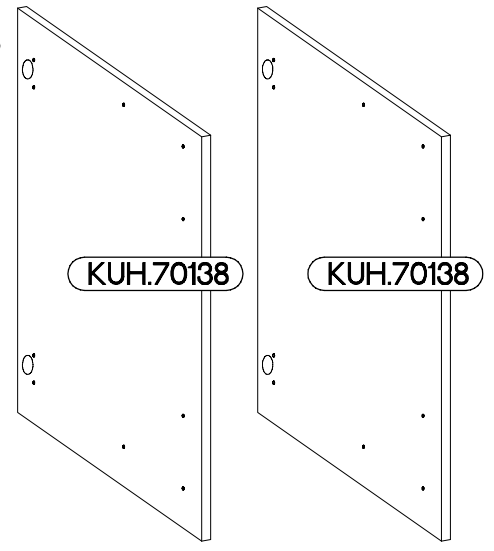
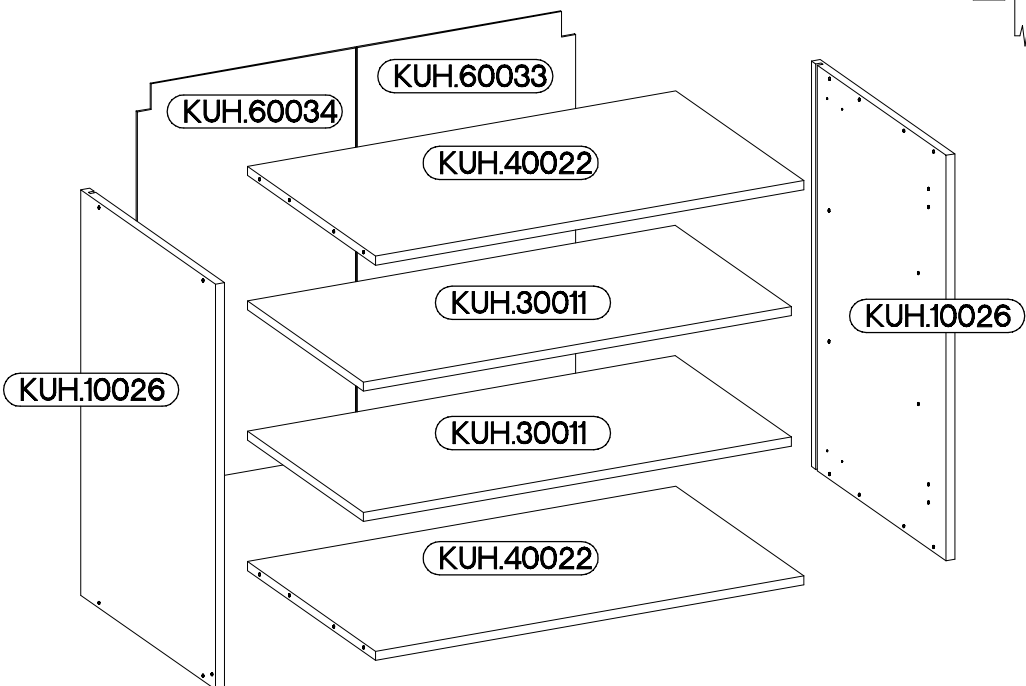
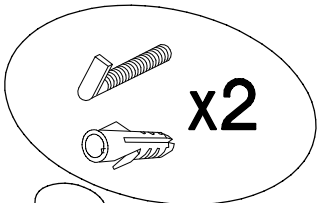
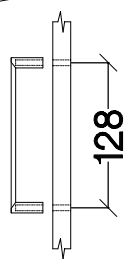
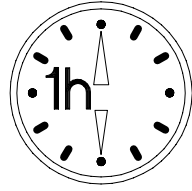


80 G-72 2F

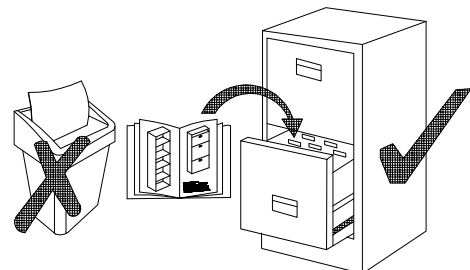


max.  
5kg

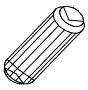
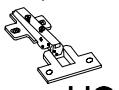

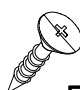
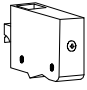
KUH.30011  
KUH.40022

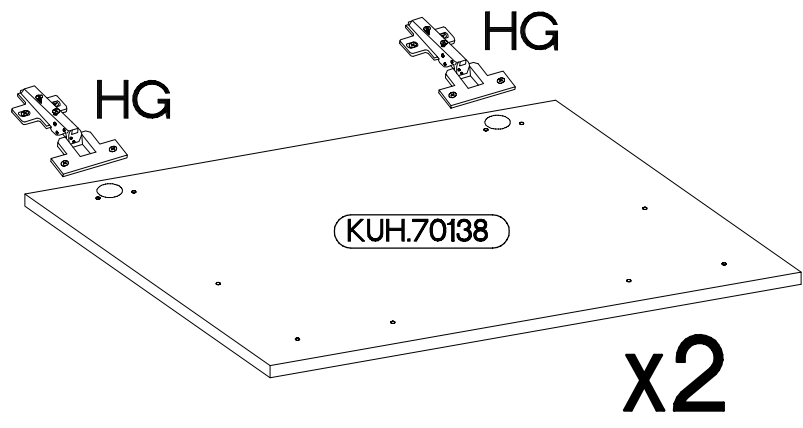
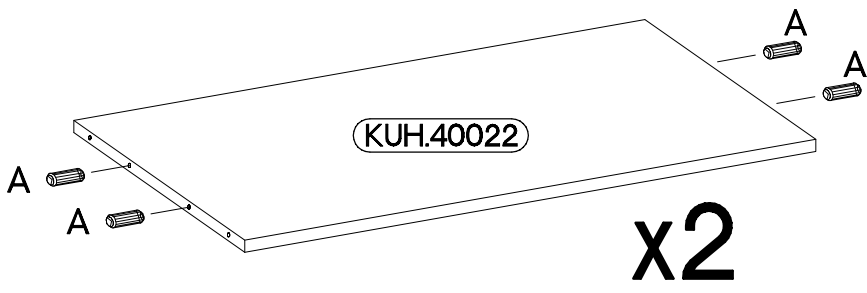
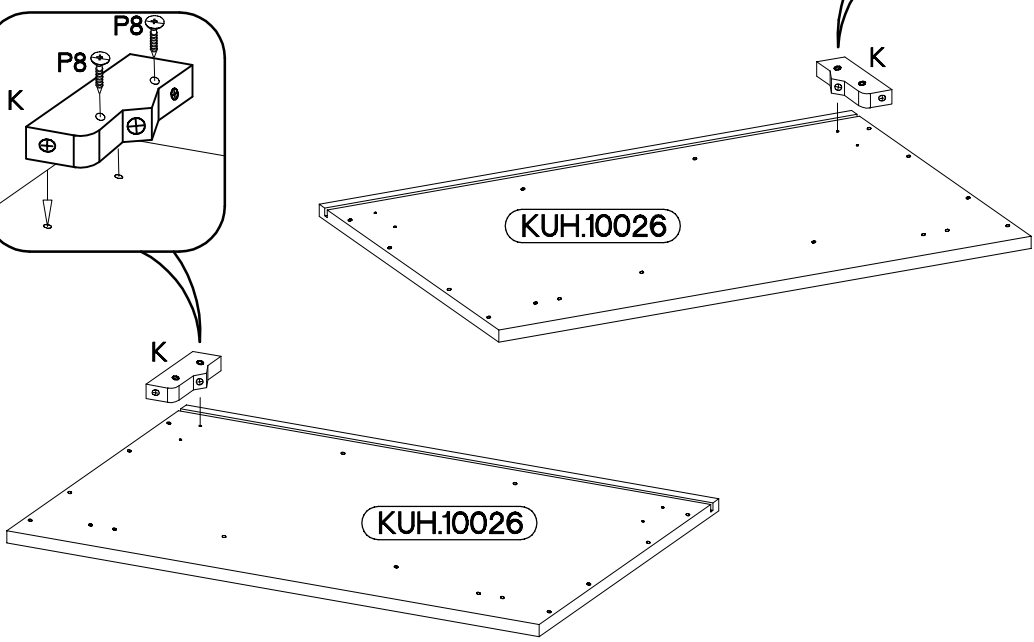
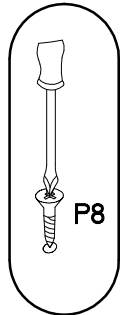
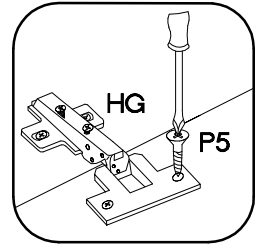
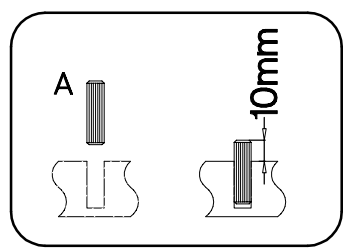
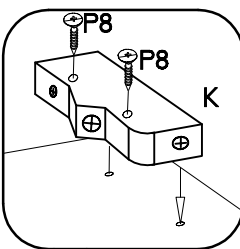
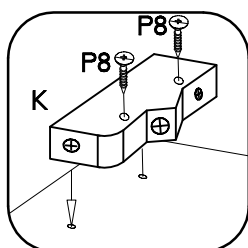
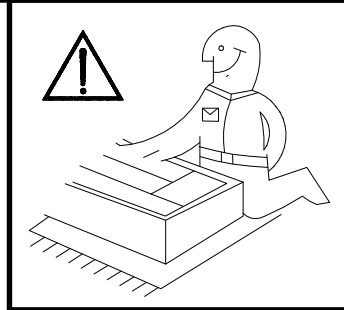


+8x30mm  A 8	6,4 x 50mm  B 8	 E1 8	+35/0mm  HG 4	+5/19mm  J 8	 K 2	L1=680mm  L1 1
 O 1	+3.5x13mm  P5 8	+3.0x20mm  P7 10-15	+4.0x30mm  P8 4	 S23 2	M4x22mm  U 4	



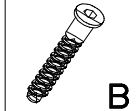
ISM-KUH-00931

+8x30mm  A 8	+35/0mm  HG 4	+3.5x13mm  P5 8	+4.0x30mm  P8 4	 K 2
---	--	--	--	--



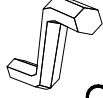
2

6,4 x 50mm



B

4



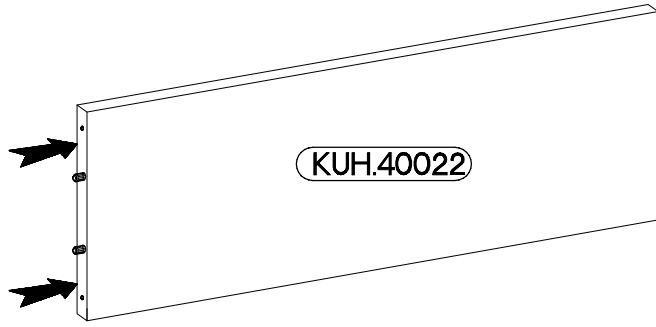
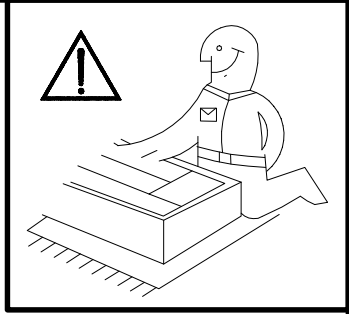
O

1

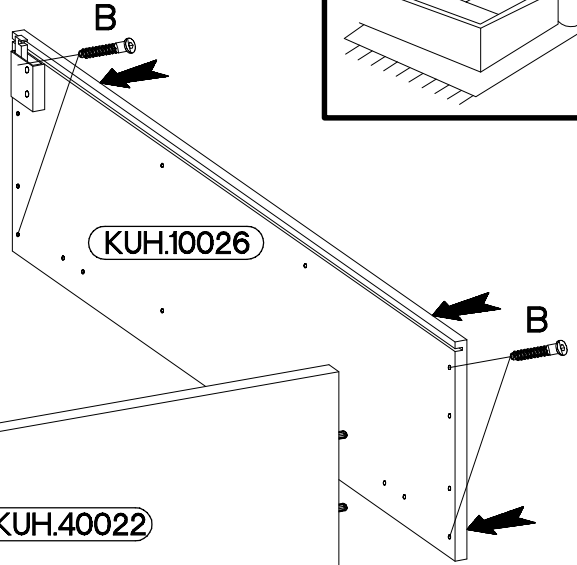


E1

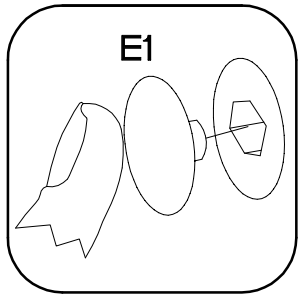
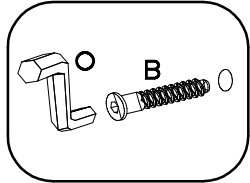
4



KUH.40022

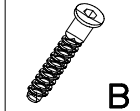


KUH.10026



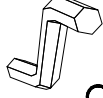
3

6,4 x 50mm



B

4



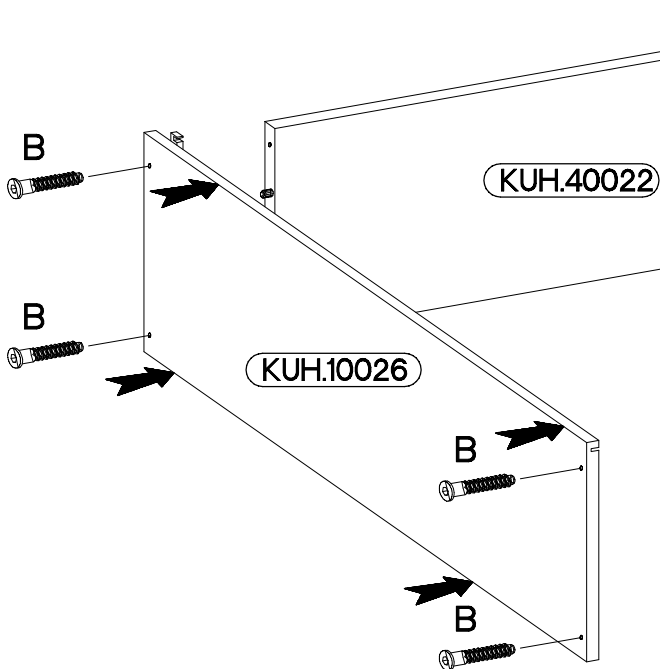
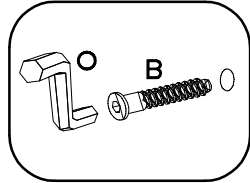
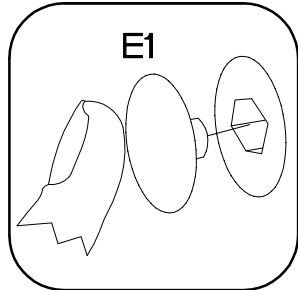
O

1



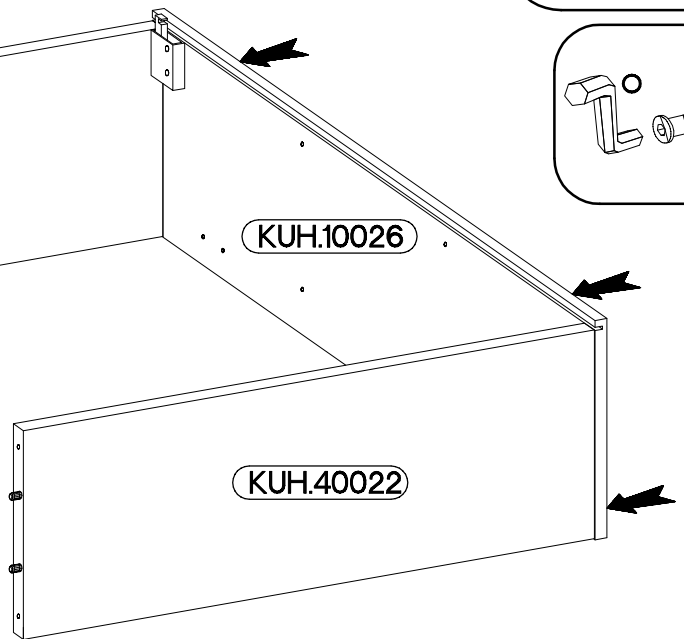
E1

4



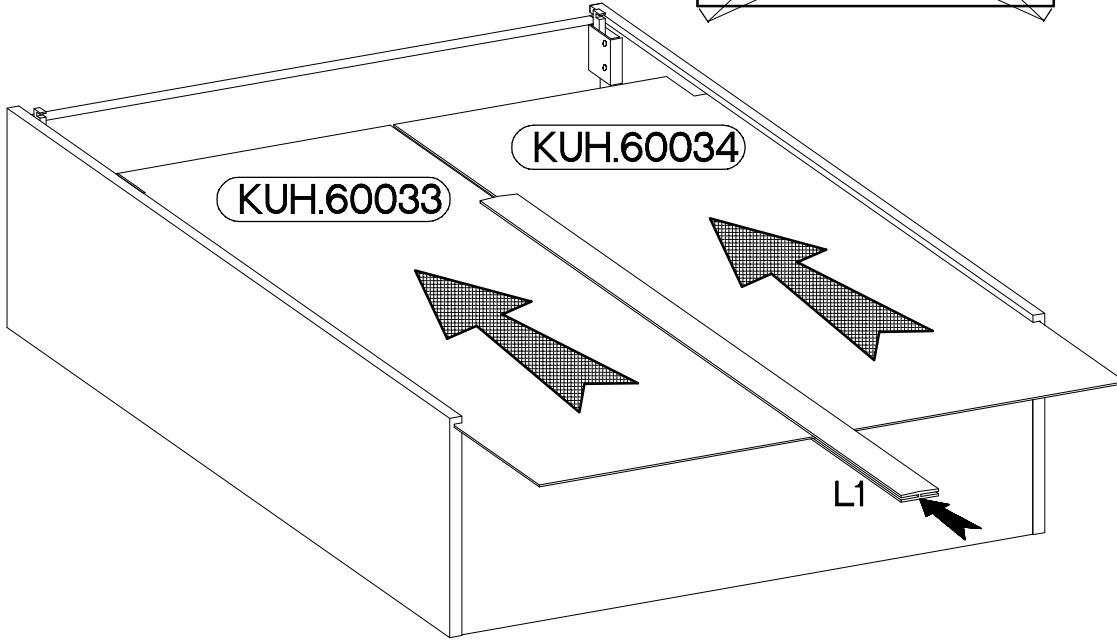
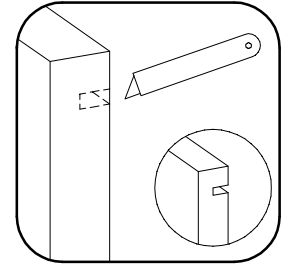
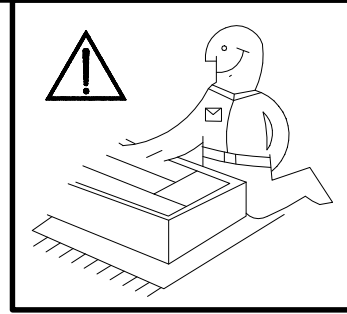
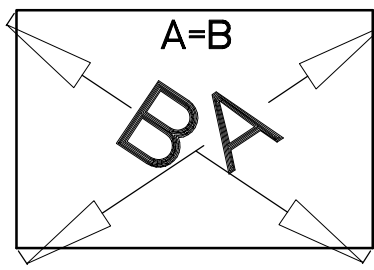
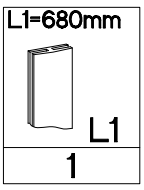
KUH.40022

KUH.10026

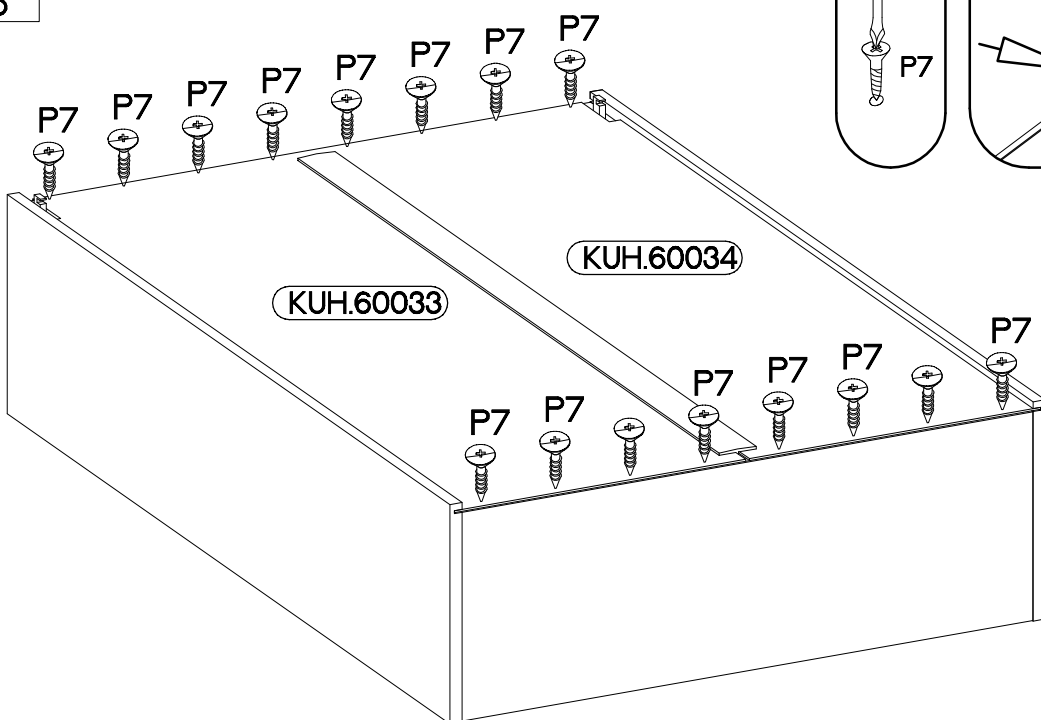
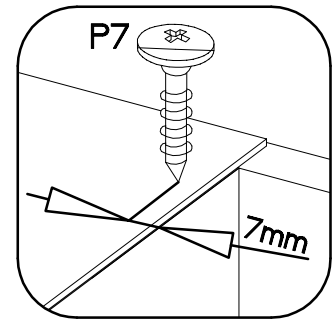
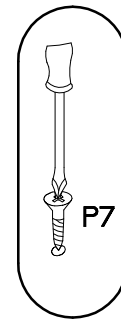
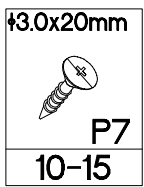


KUH.40022

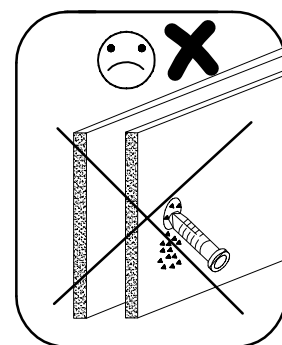
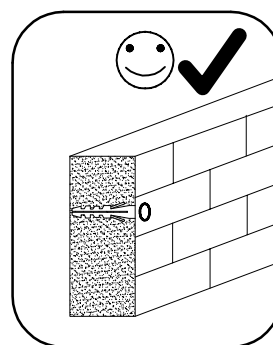
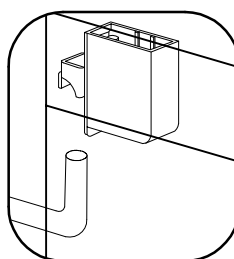
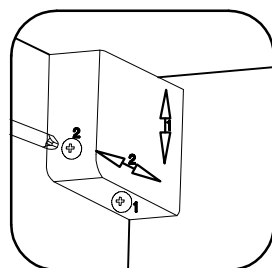
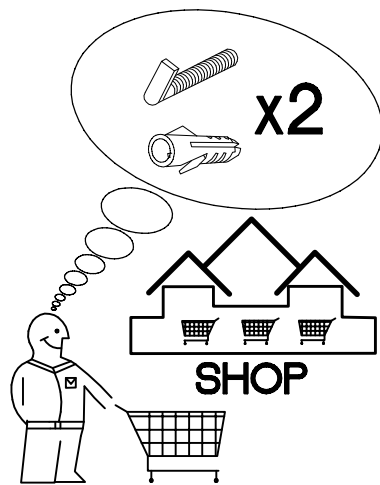
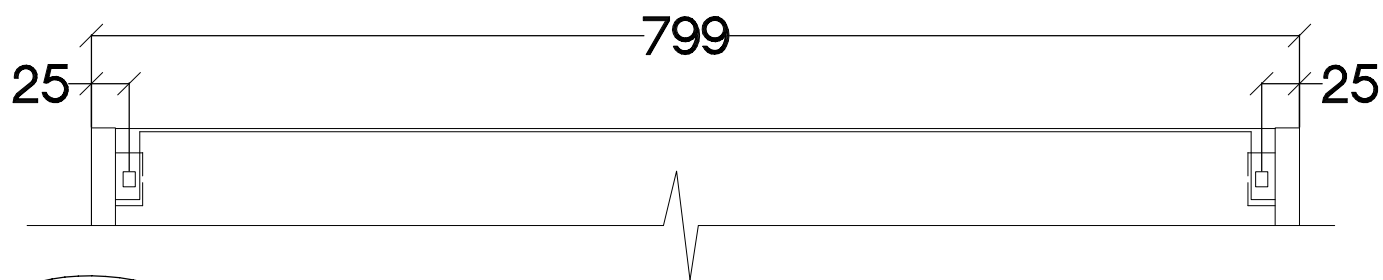
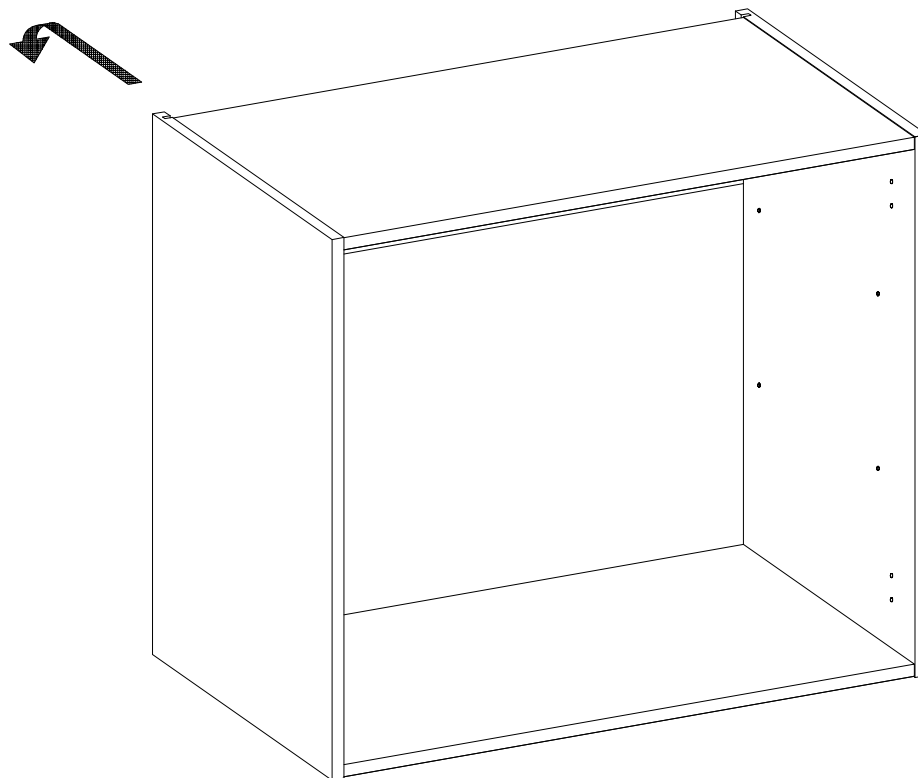
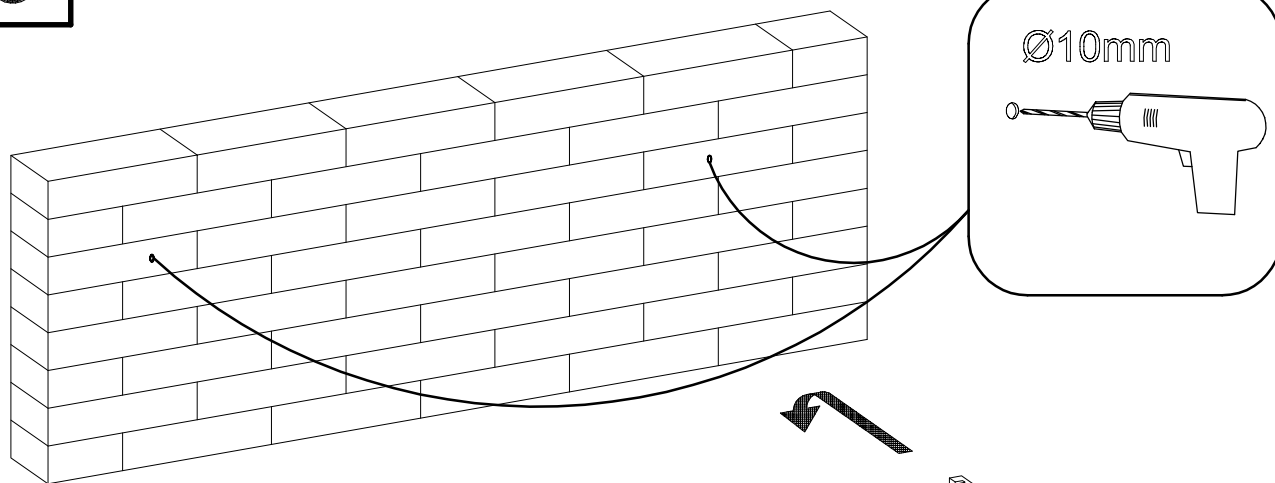
4



5

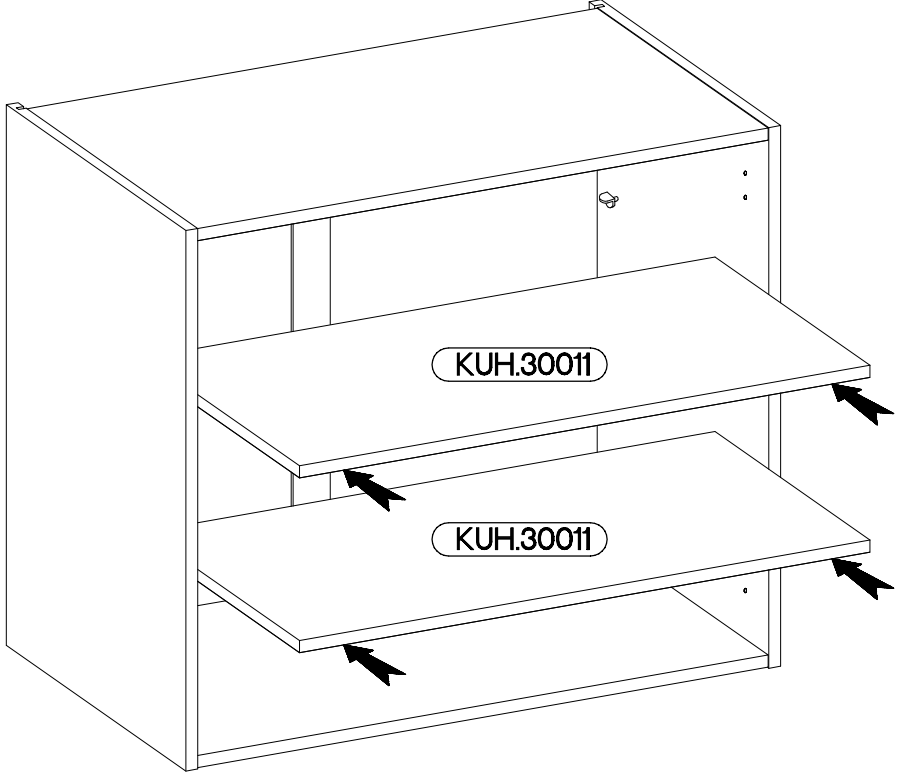
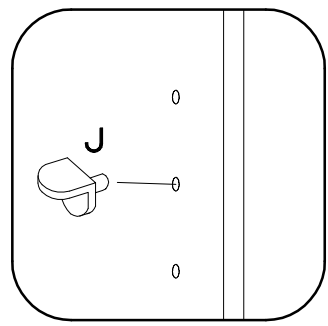


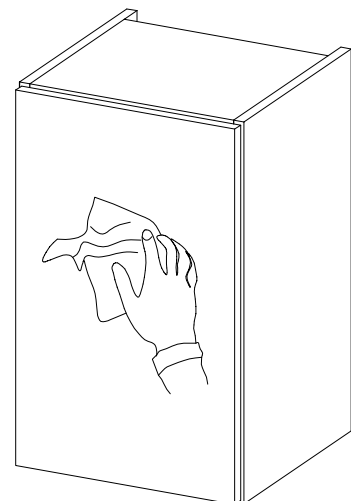
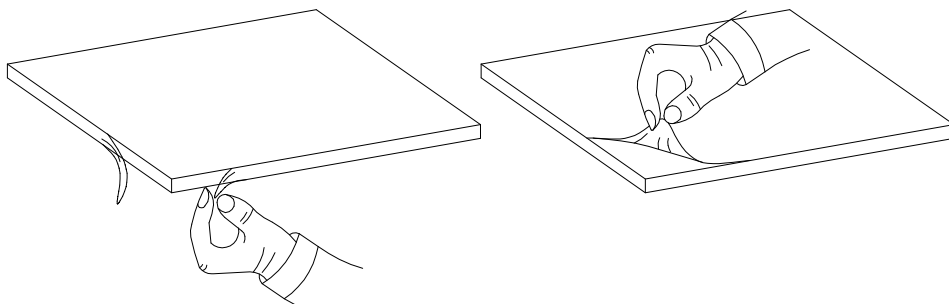
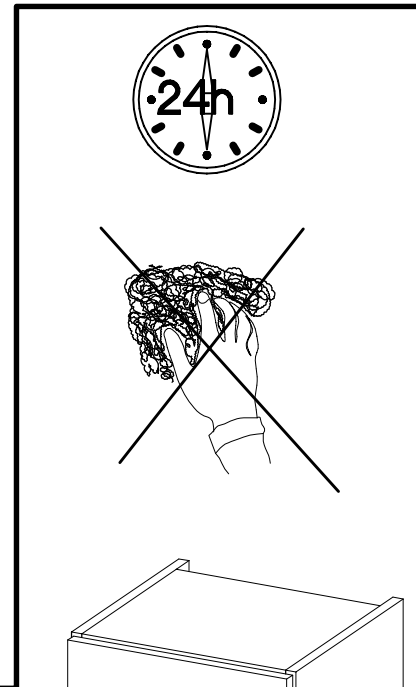
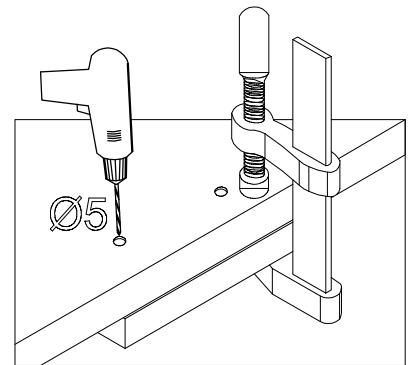
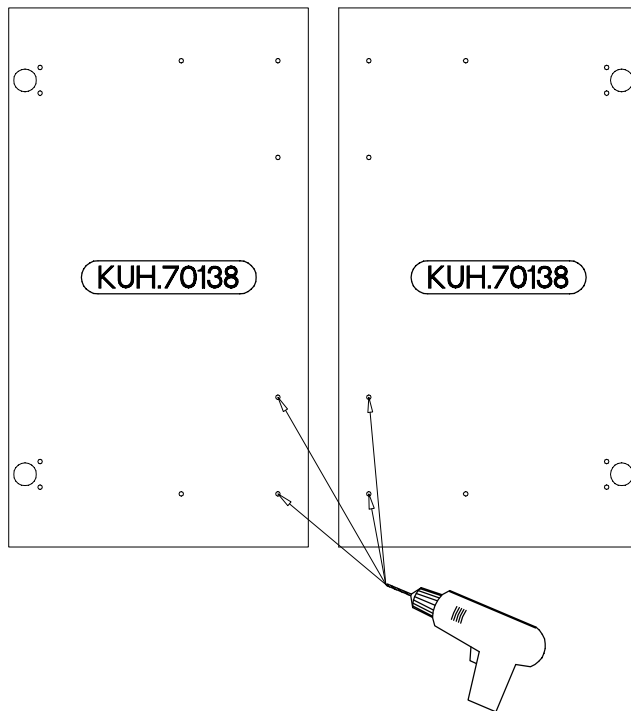
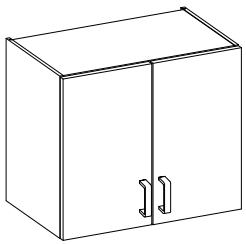
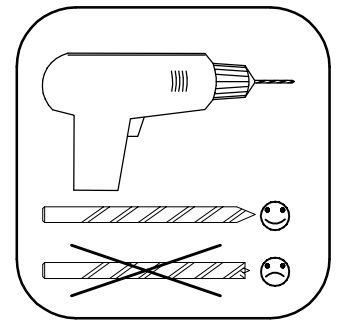
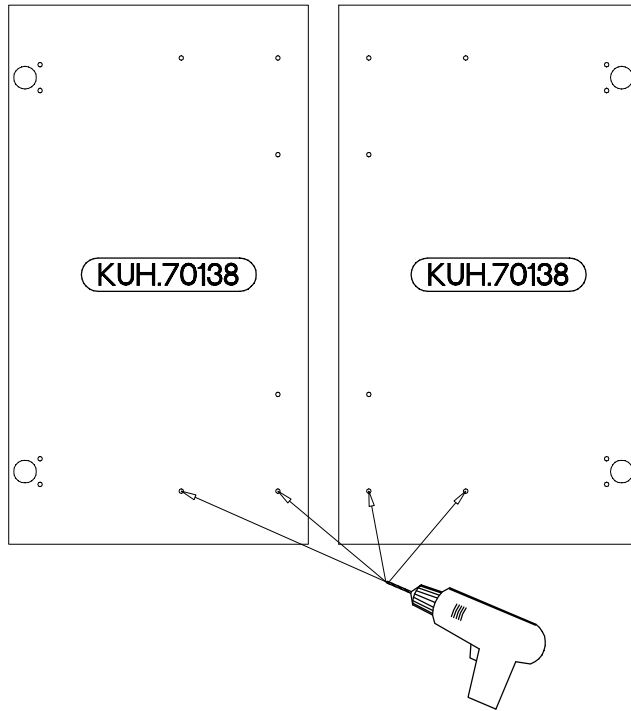
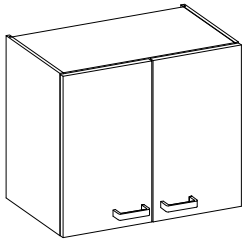
6





7

+5/19mm  
J  
4





M4x22mm	
	
U	S23
4	2

