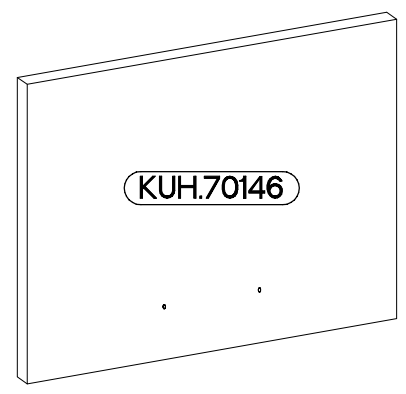
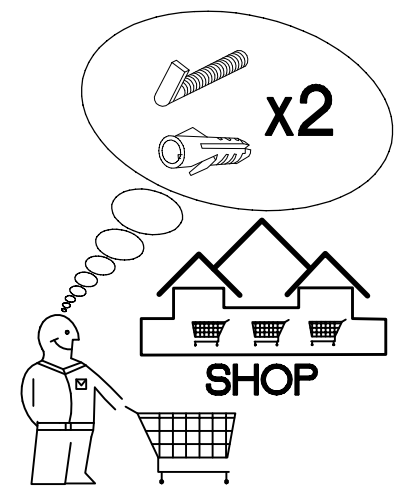
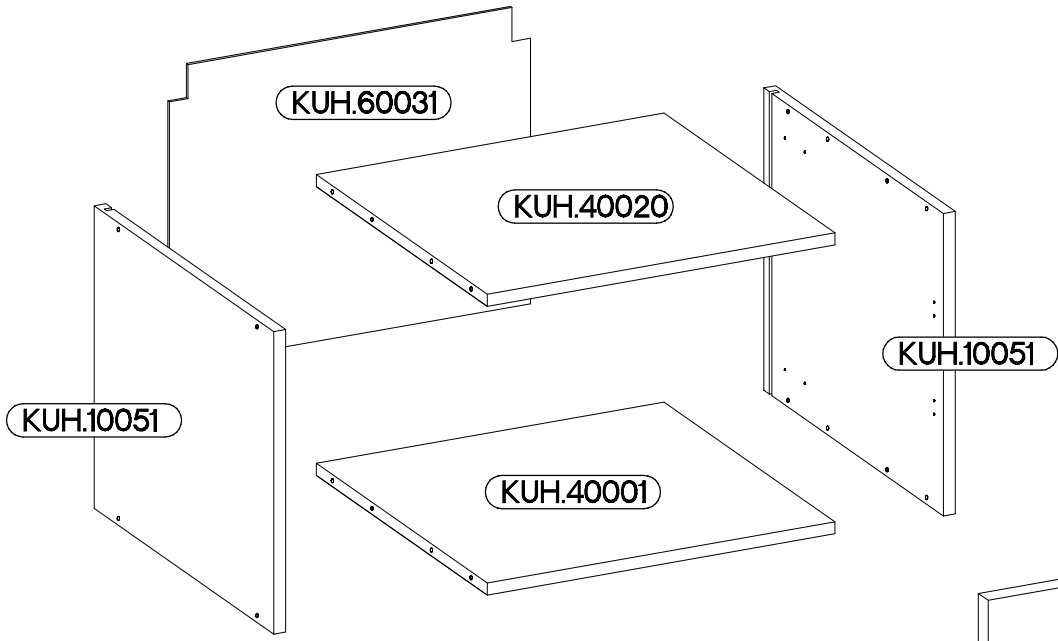
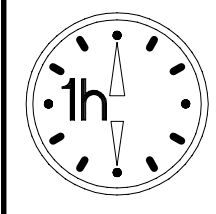
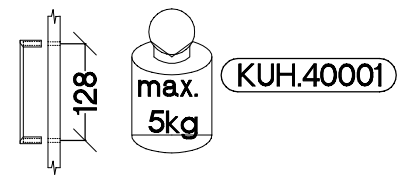
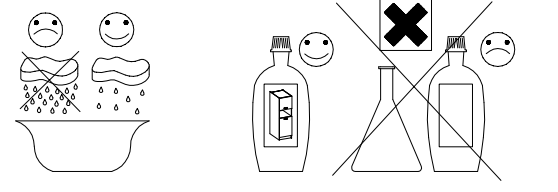
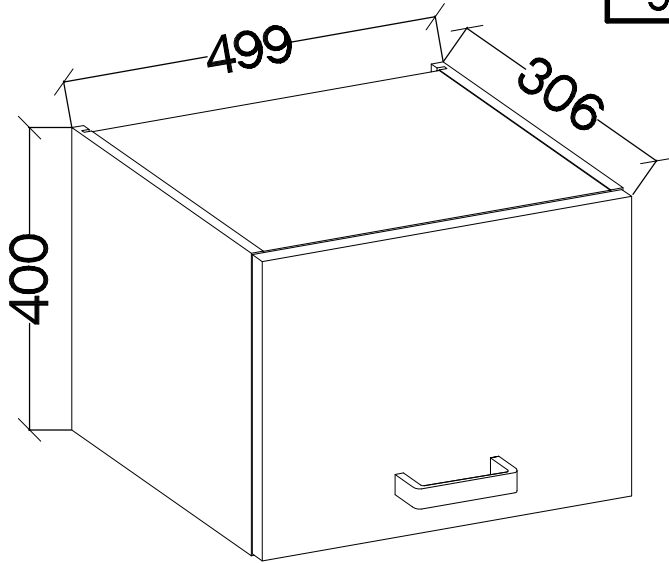
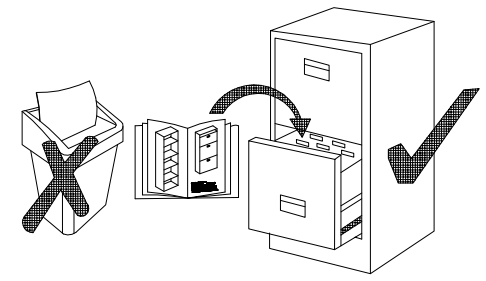


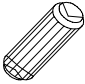
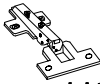


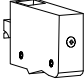
50 OK-40

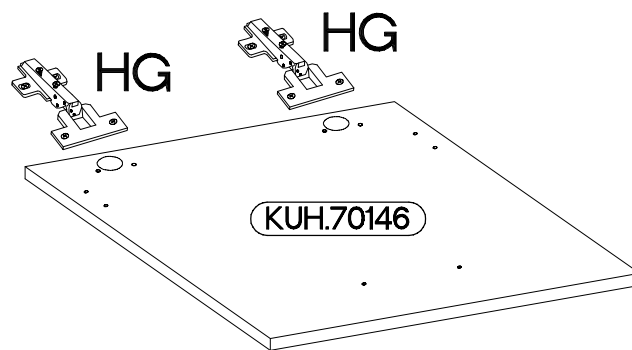
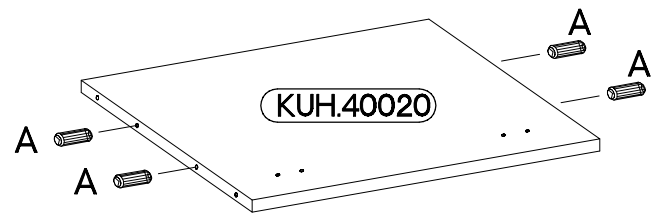
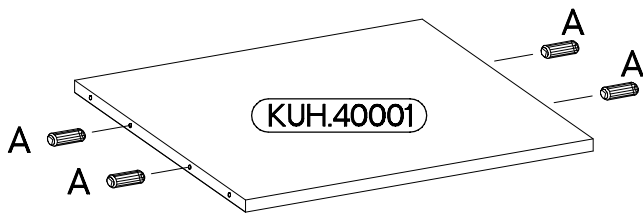
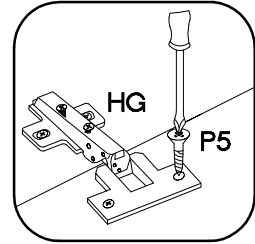
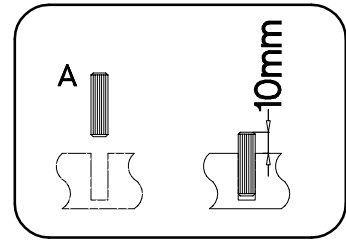
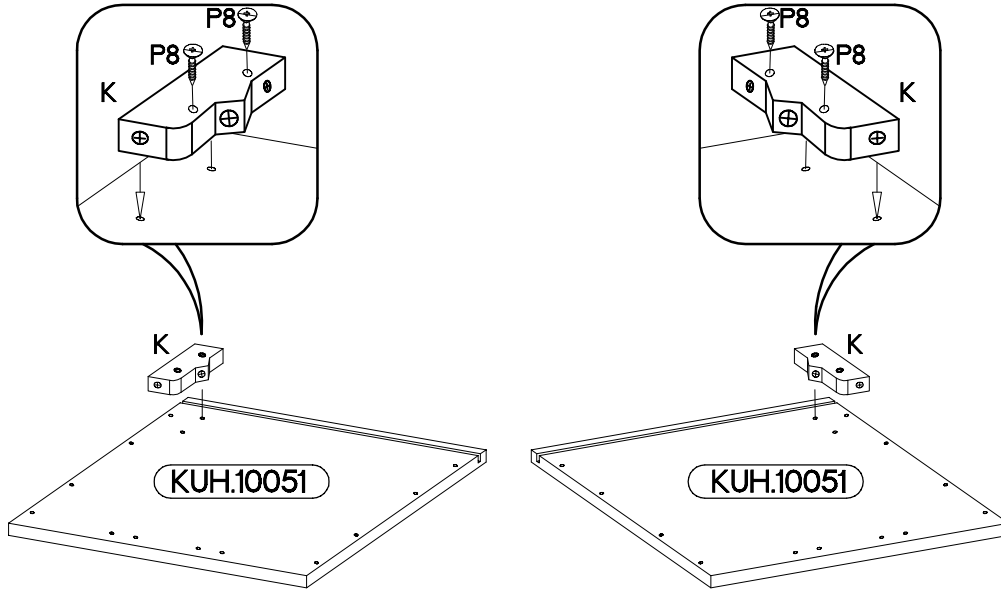
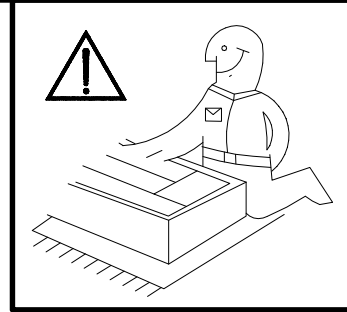


<p>±8x30mm A</p>	<p>6,4 x 50mm B</p>	<p>E1</p>	<p>±35/0mm HG</p>	<p>K</p>	<p>K24</p>
8	8	8	2	2	2
<p>O</p>	<p>±3.5x13mm P5</p>	<p>±3.0x20mm P7</p>	<p>±4.0x30mm P8</p>	<p>S23</p>	<p>M4x22mm U</p>
1	4	8-10	4	1	2

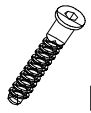
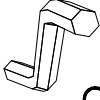



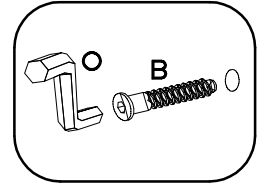
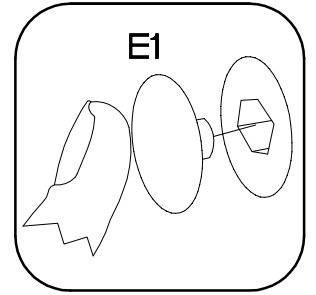
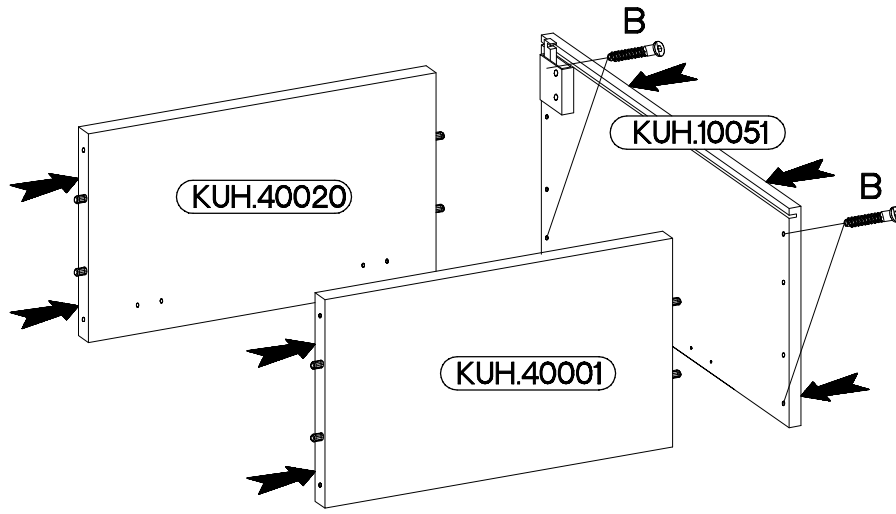
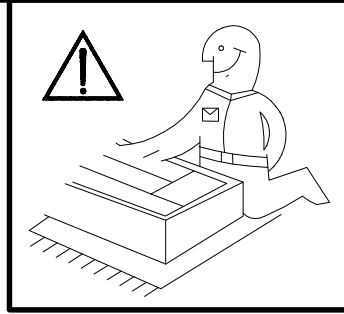
ISM-KUH-00944

±8x30mm  A 8	±35/0mm  HG 2	±3.5x13mm  P5 4	±4.0x30mm  P8 4	 K 2
---	--	--	--	--


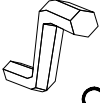



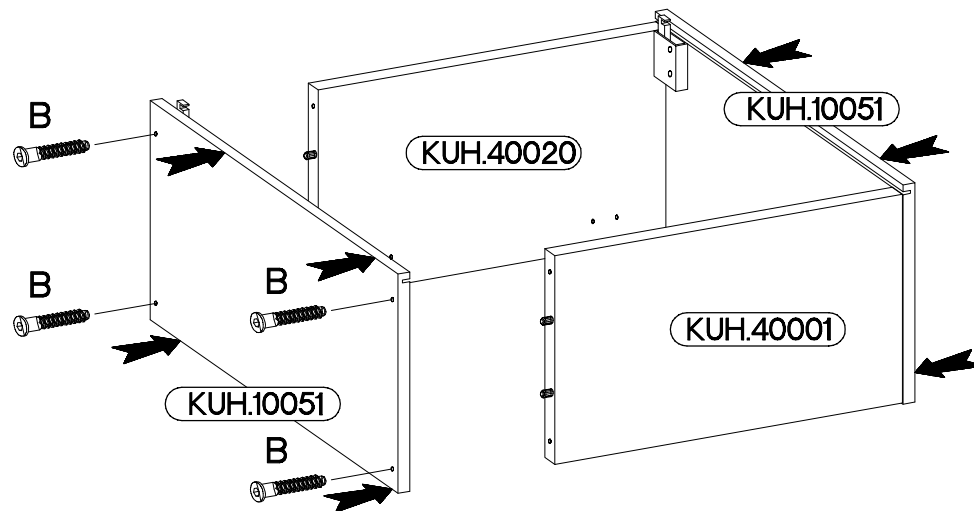
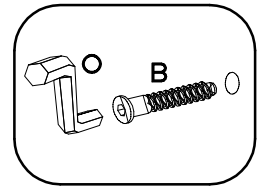
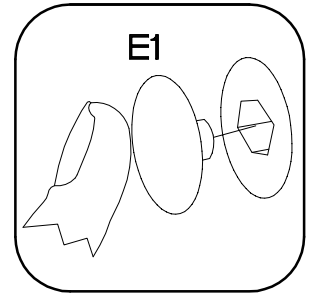
2

6,4 x 50mm		
		
<b>B</b>	<b>O</b>	<b>E1</b>
4	1	4

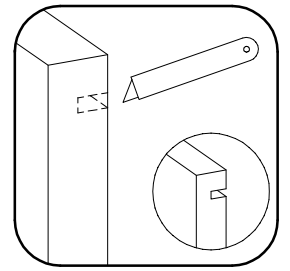
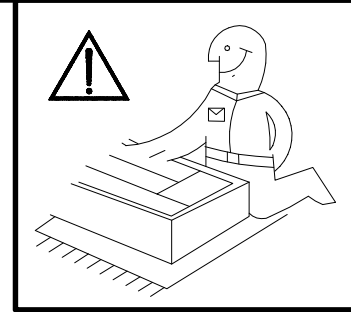
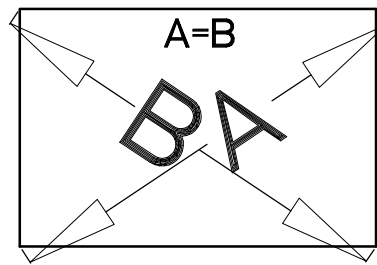
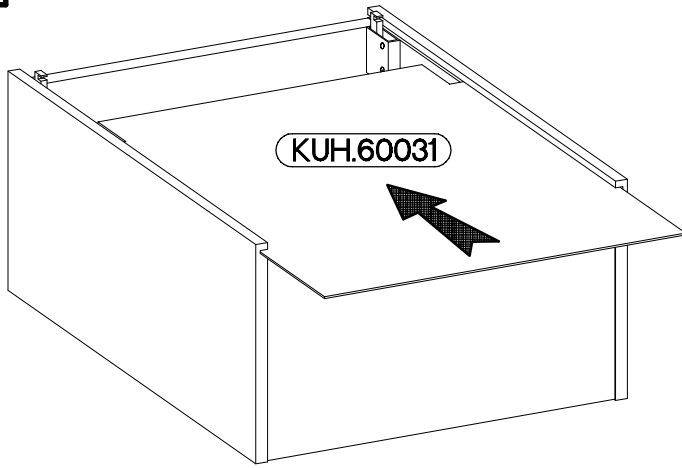


3

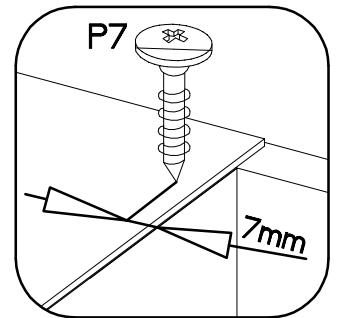
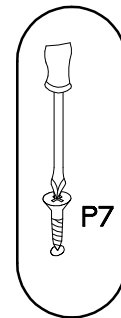
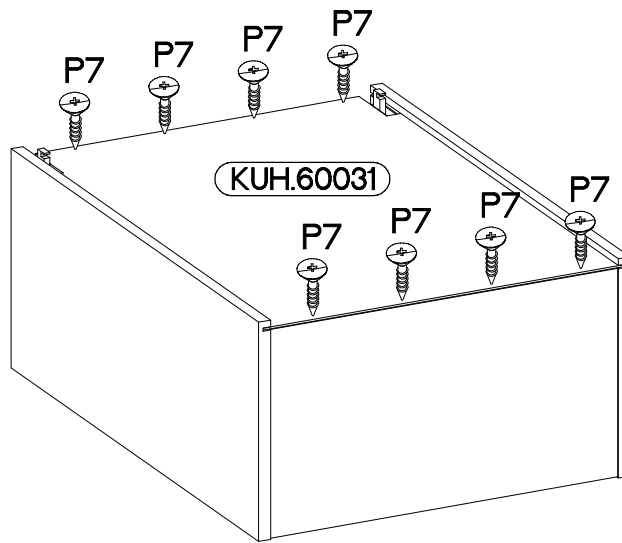
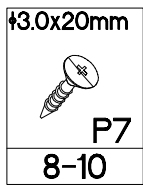
6,4 x 50mm		
		
<b>B</b>	<b>O</b>	<b>E1</b>
4	1	4



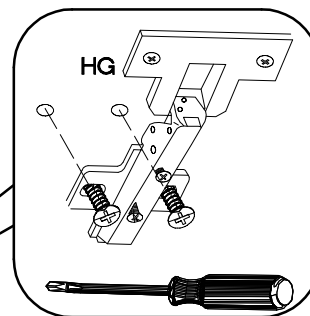
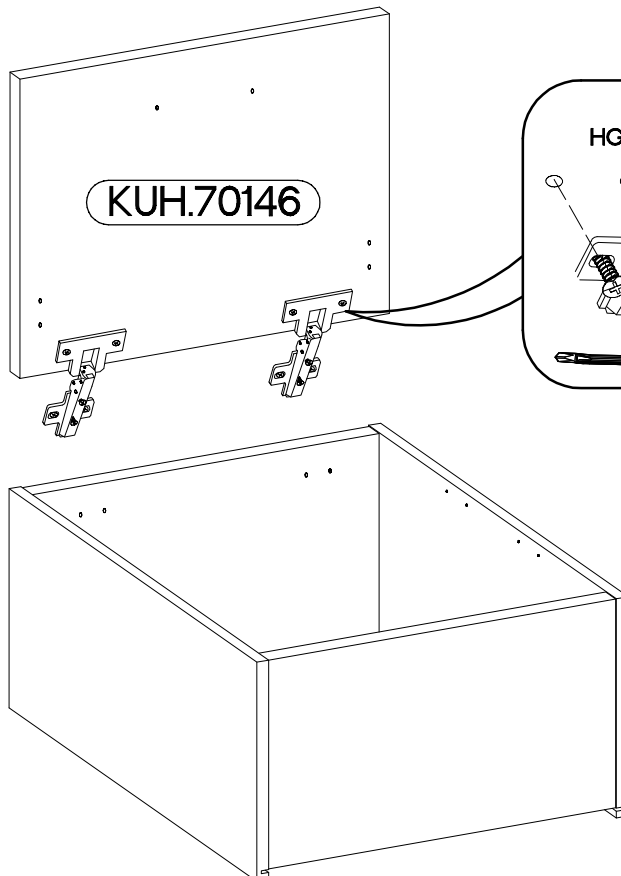
4



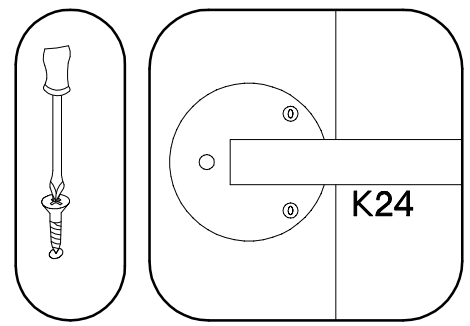
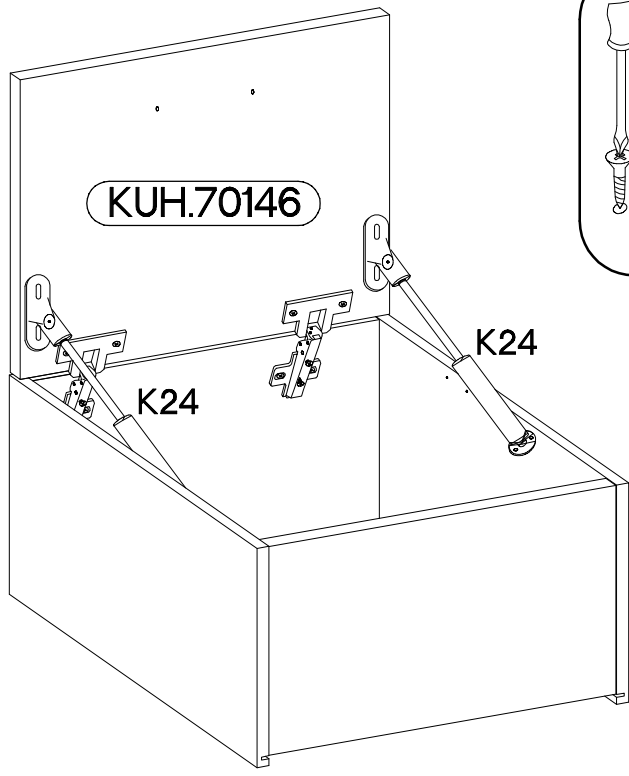
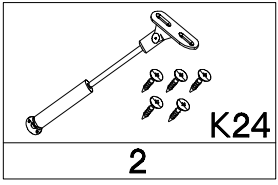
5



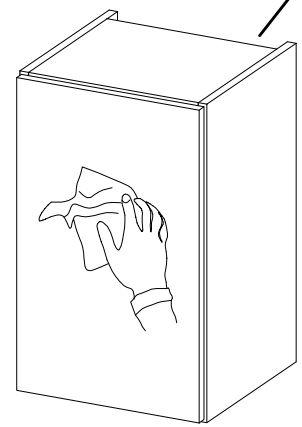
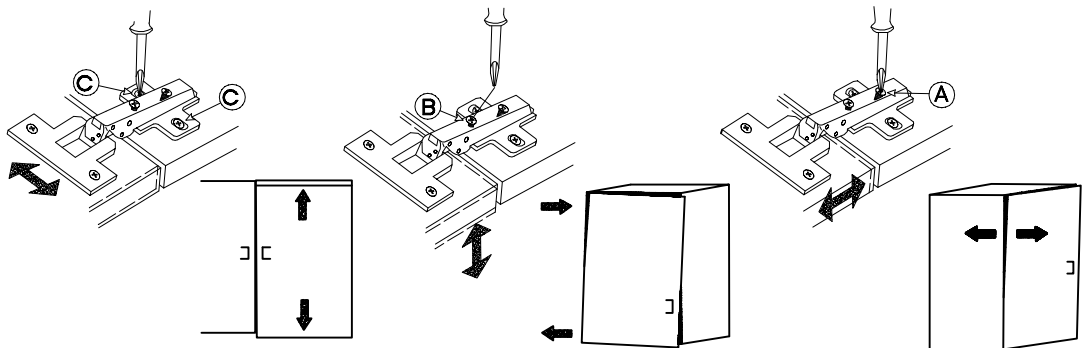
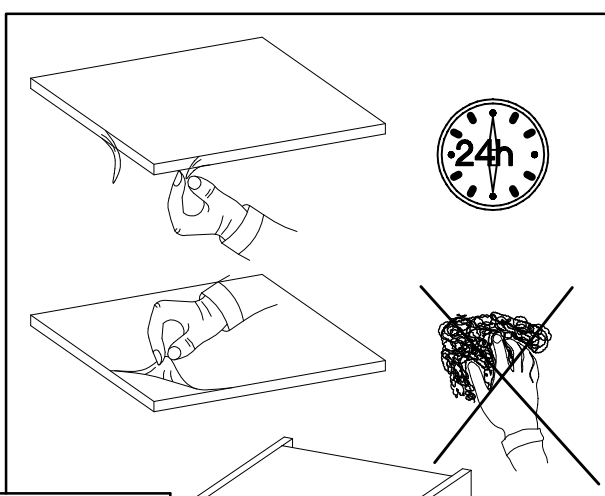
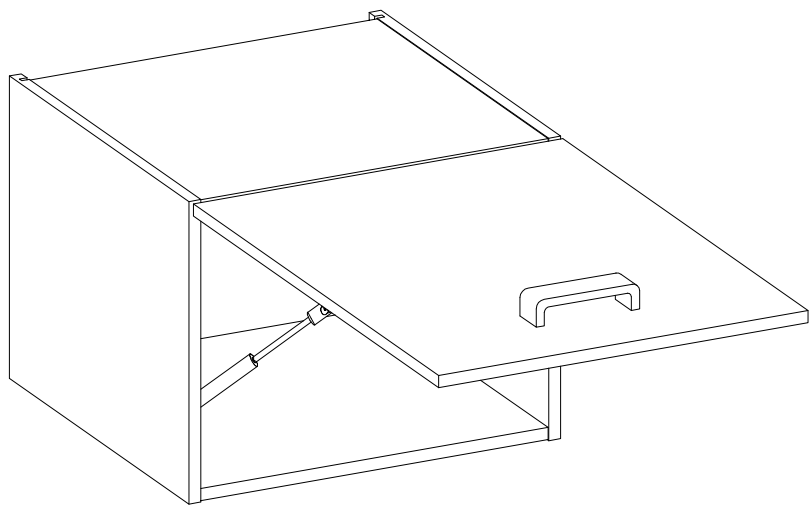
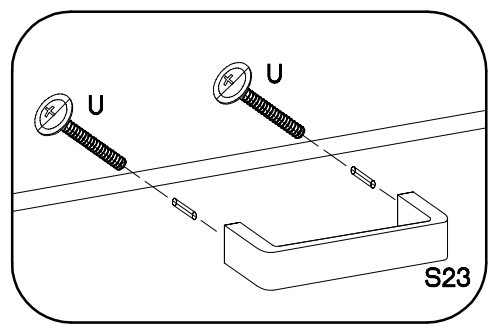
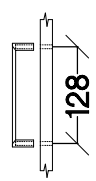
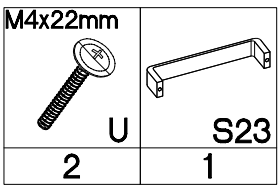
6

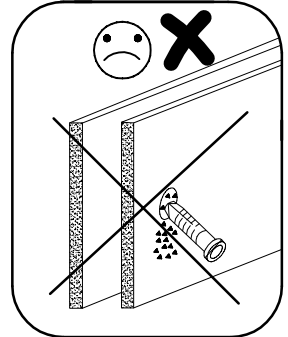
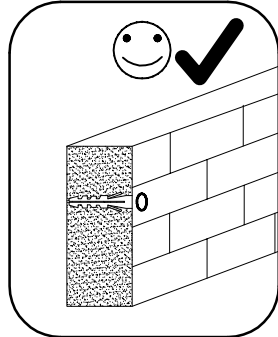
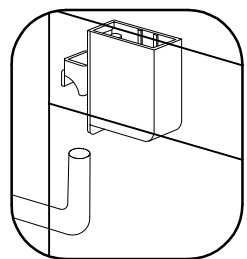
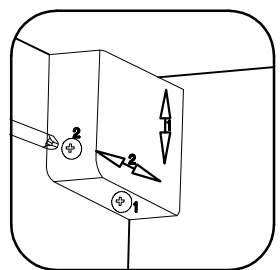
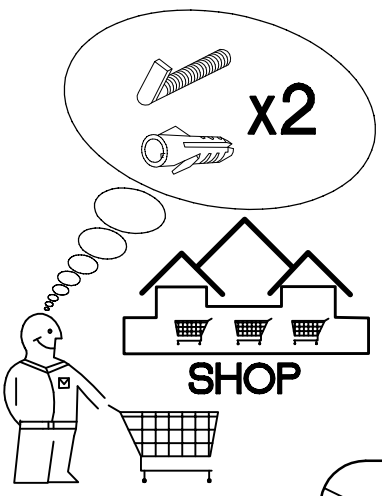
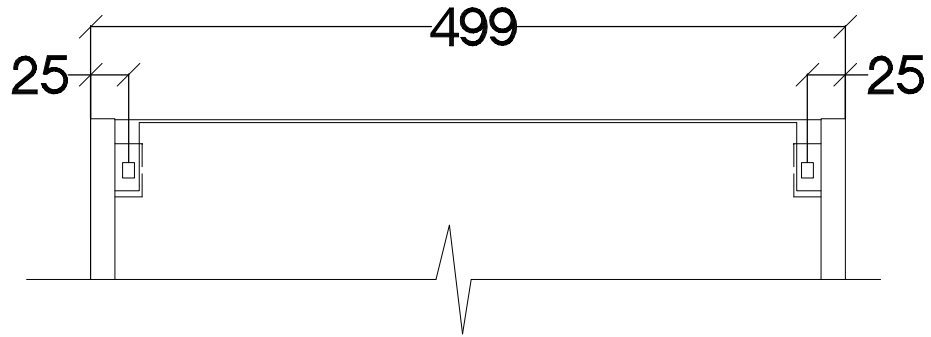
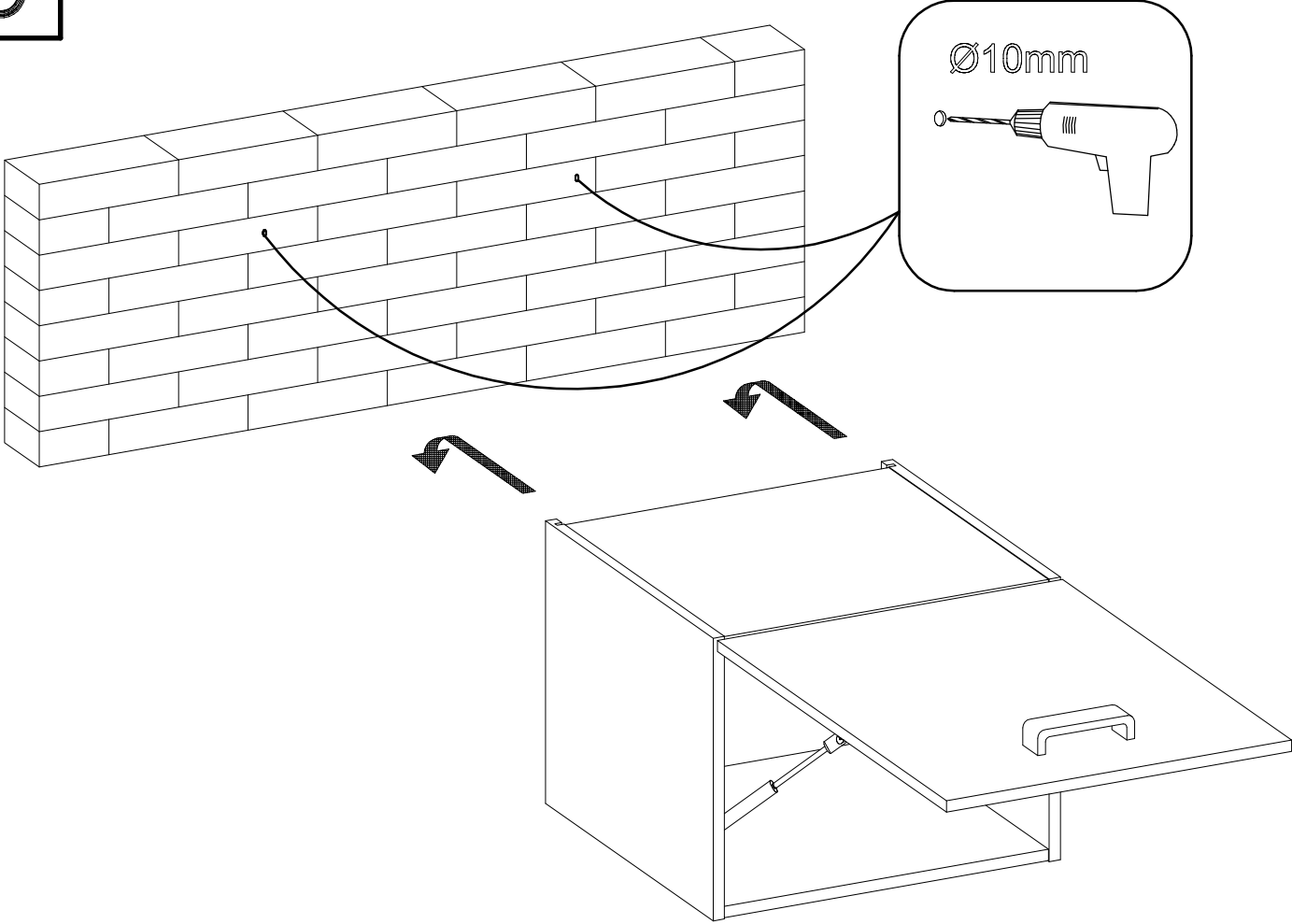


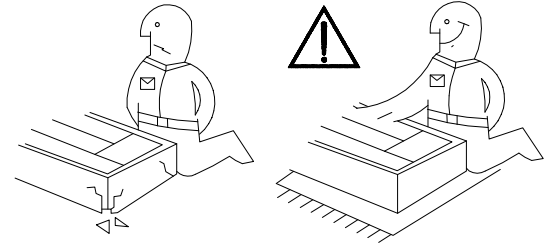
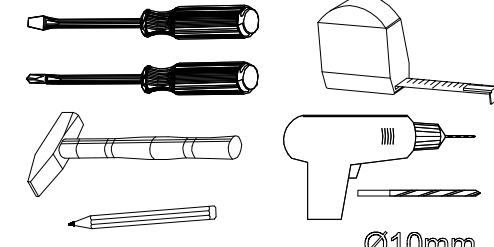
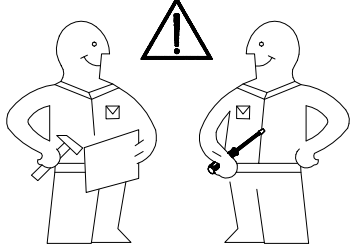
7



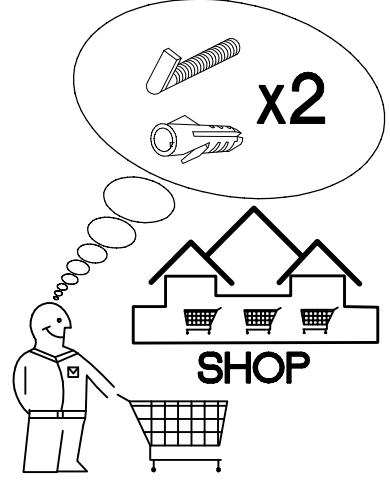
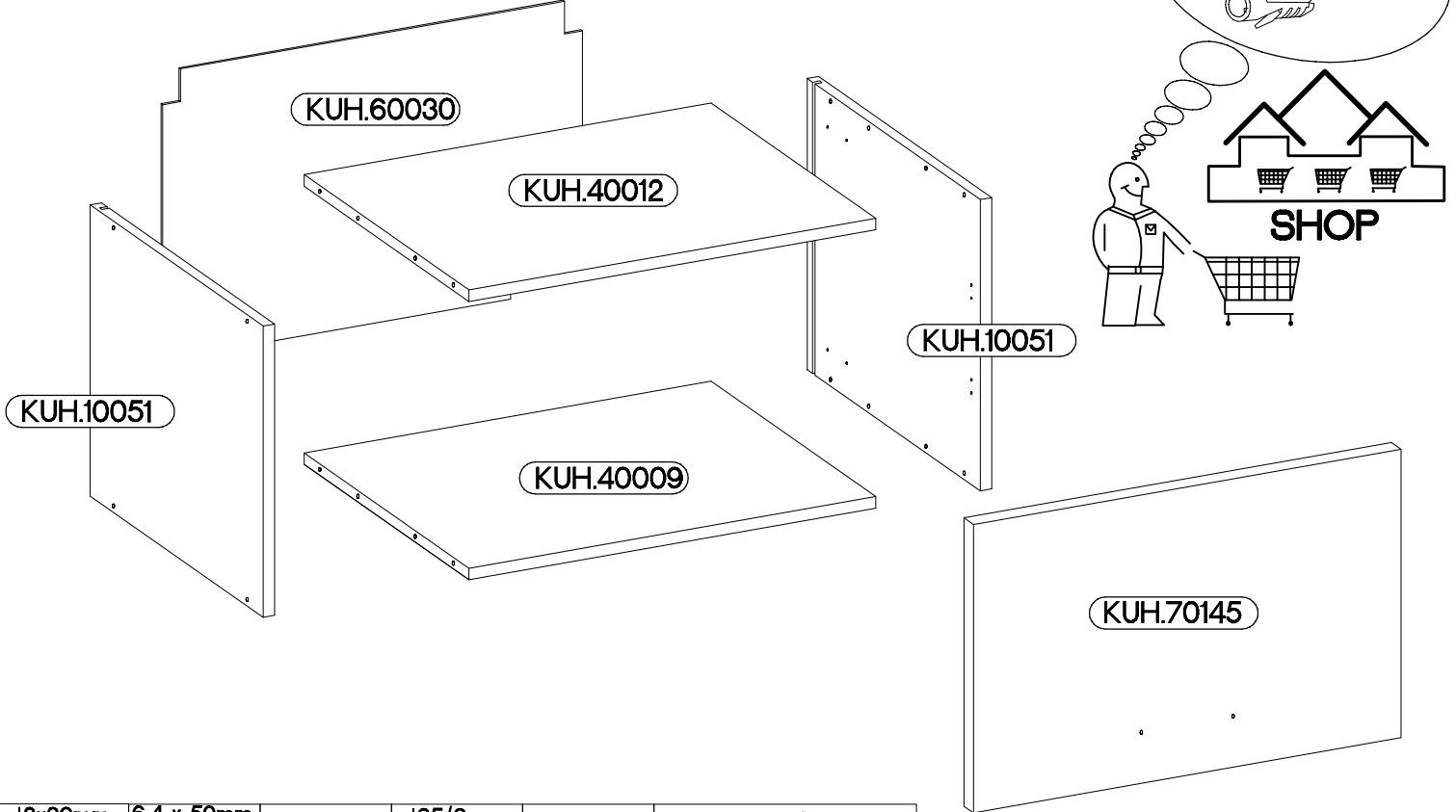
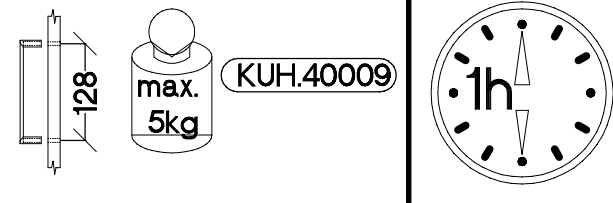
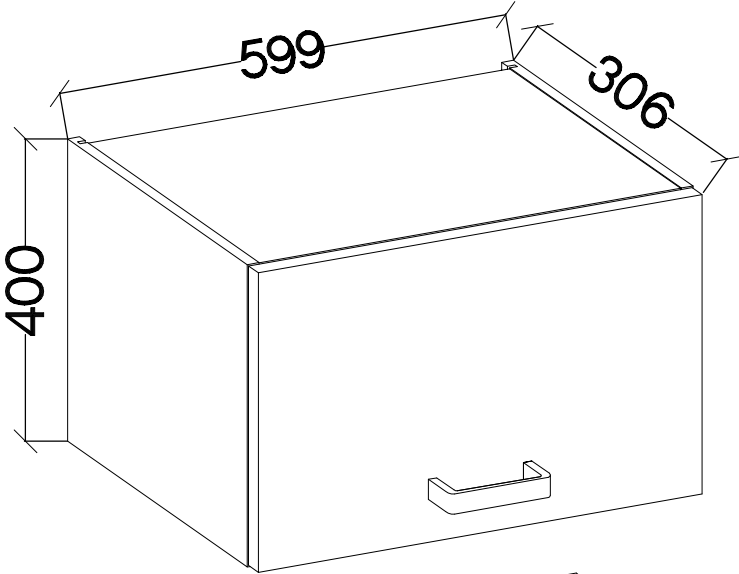
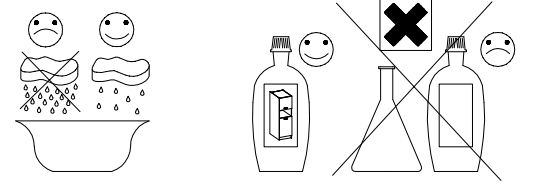
8



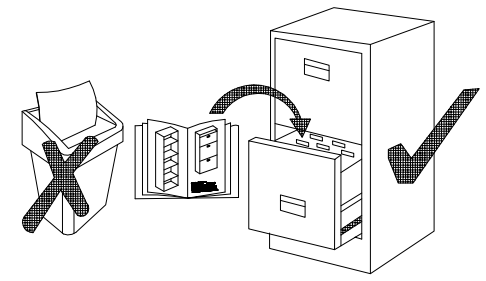




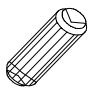
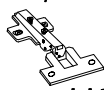


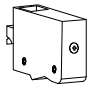
60 OK-40

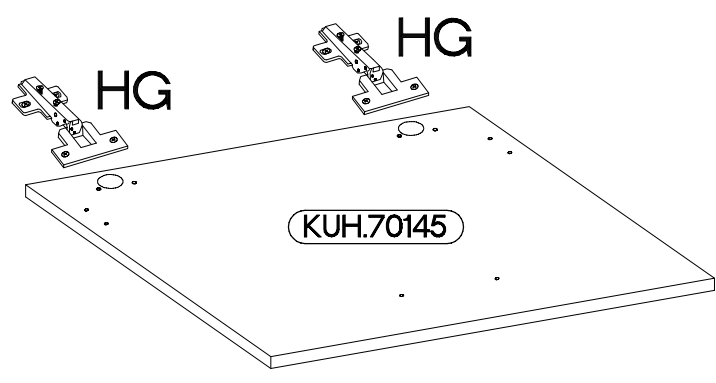
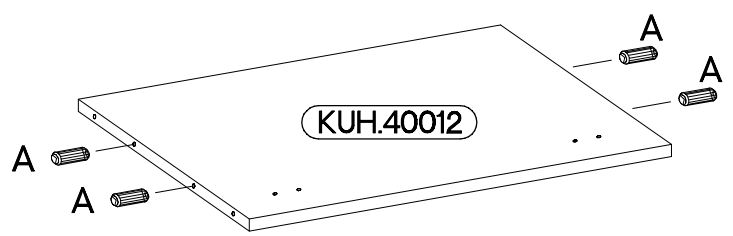
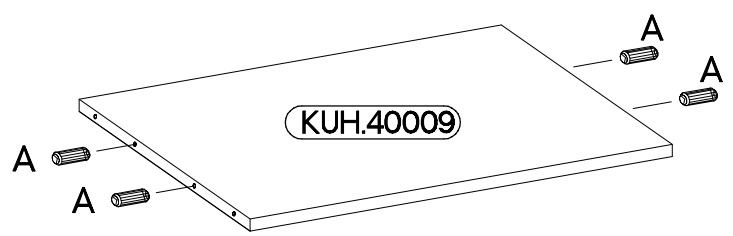
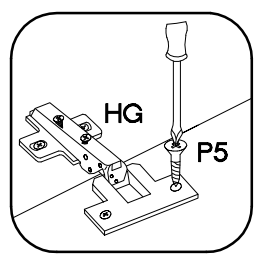
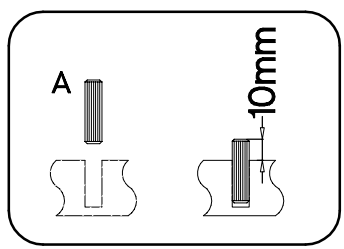
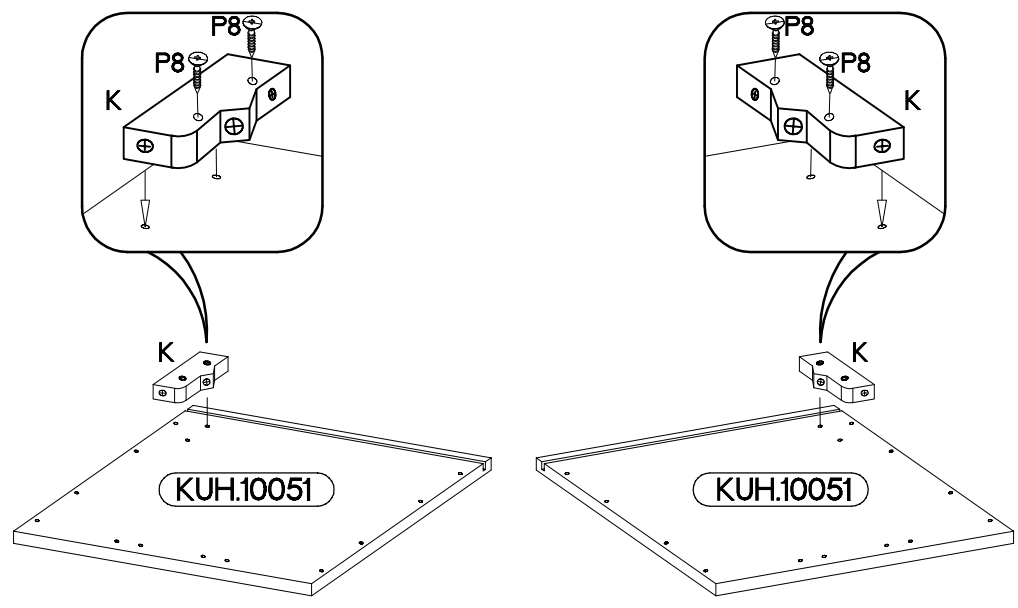
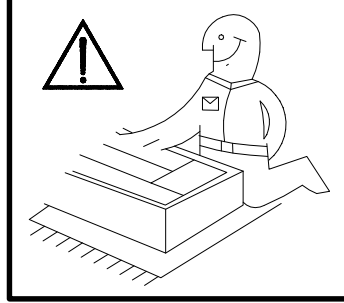


<p>±8x30mm A</p>	<p>6,4 x 50mm B</p>	<p>E1</p>	<p>±35/0mm HG</p>	<p>K</p>	<p>K24</p>
8	8	8	2	2	2
<p>O</p>	<p>±3.5x13mm P5</p>	<p>±3.0x20mm P7</p>	<p>±4.0x30mm P8</p>	<p>S23</p>	<p>M4x22mm U</p>
1	4	8-10	4	1	2



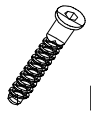
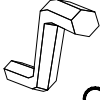

ISM-KUH-00940

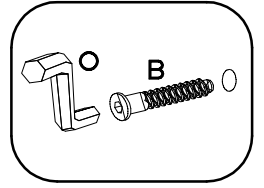
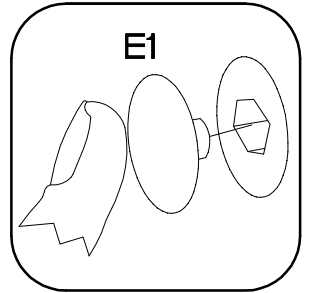
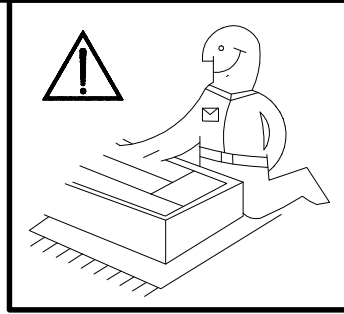
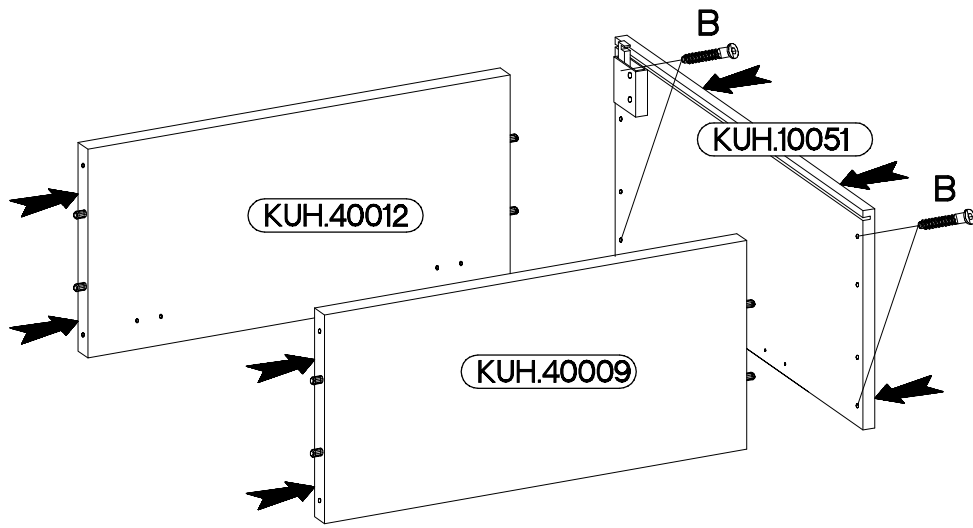
±8x30mm  A 8	±35/0mm  HG 2	±3.5x13mm  P5 4	±4.0x30mm  P8 4	 K 2
---	--	--	--	--




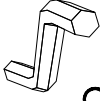



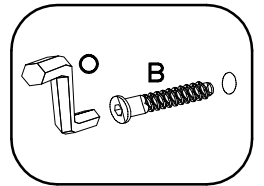
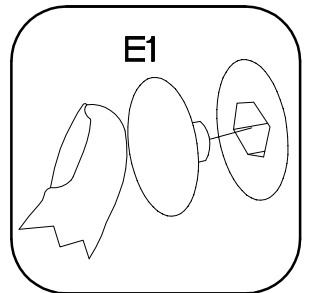
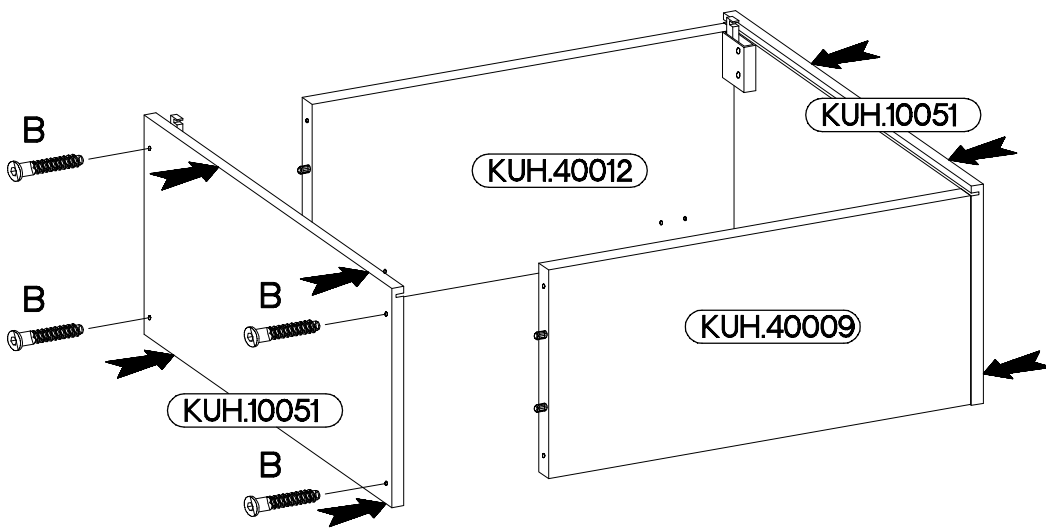
2

6,4 x 50mm		
		
B	O	E1
4	1	4

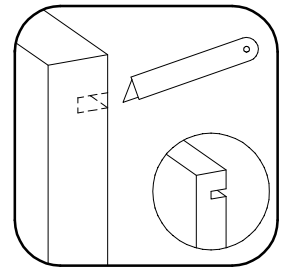
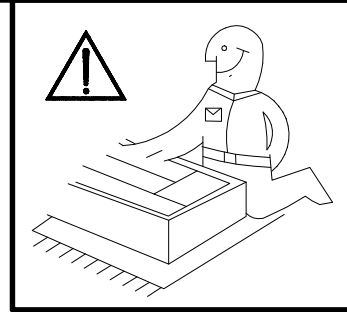
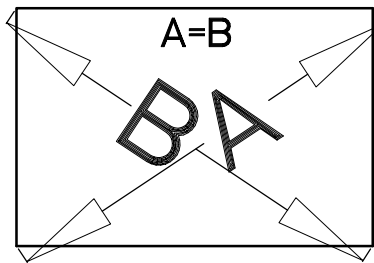
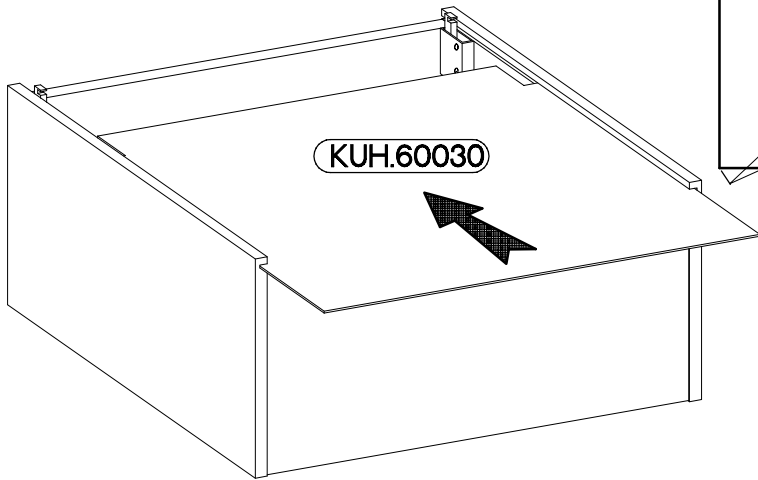


3

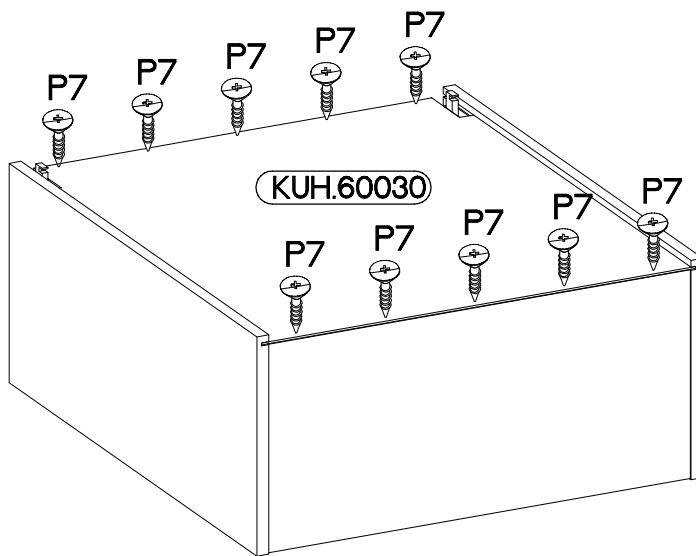
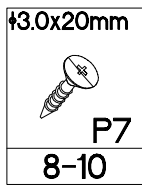
6,4 x 50mm		
		
B	O	E1
4	1	4



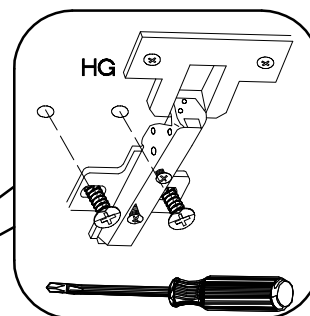
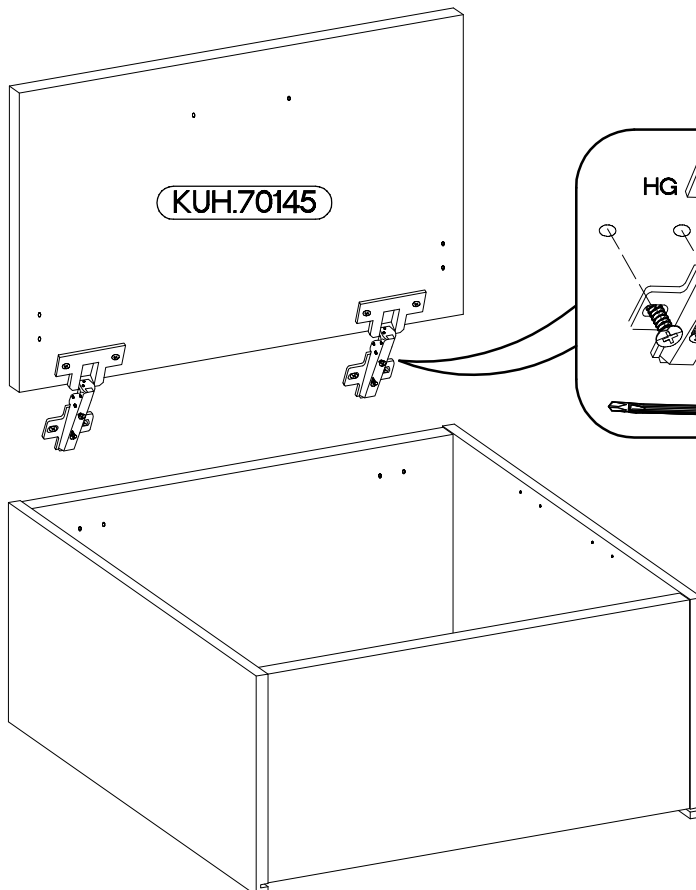
4



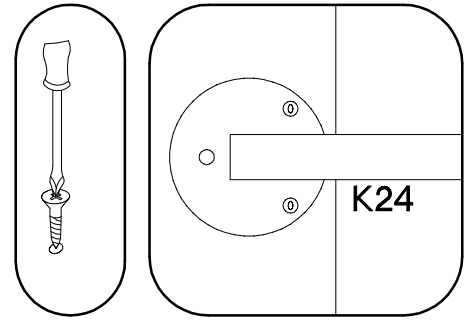
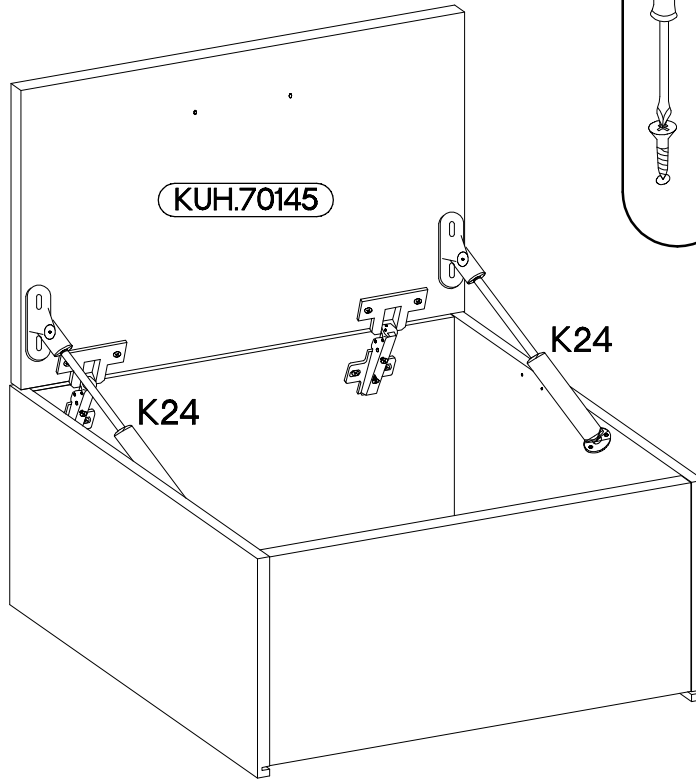
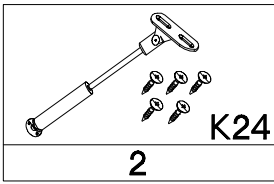
5



6



7



8

