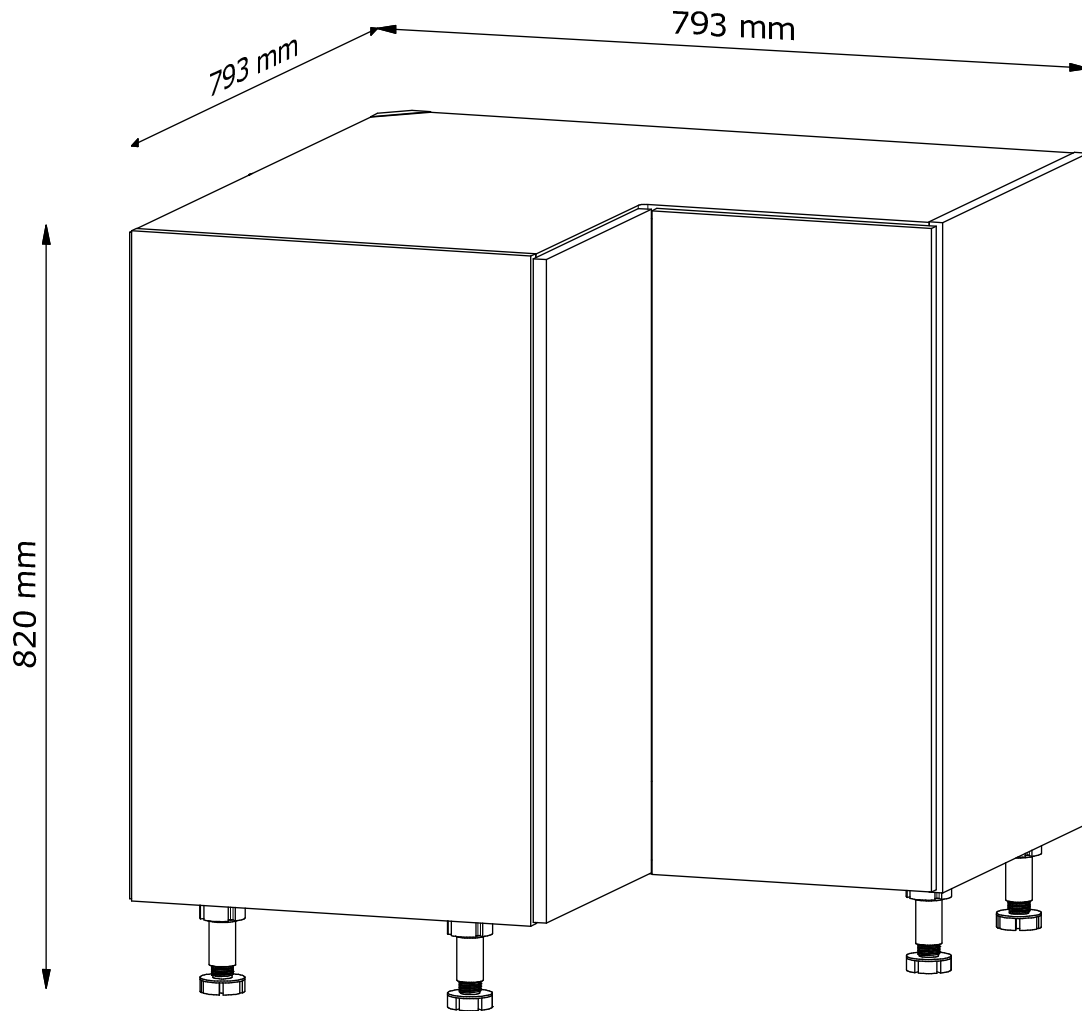
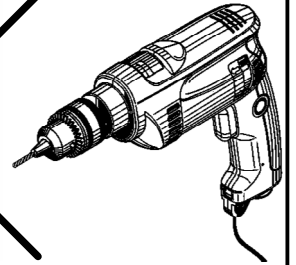
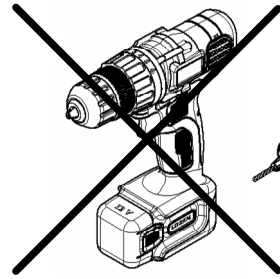
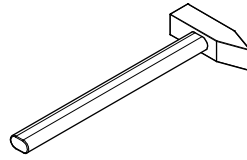
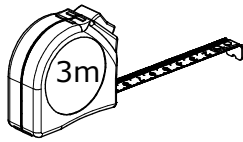
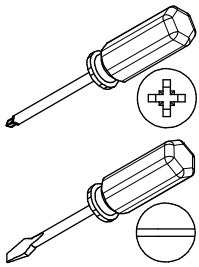


D90N

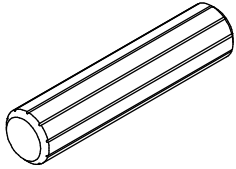


PL: INSTRUKCJA MONTAŻU
EN: ASSEMBLY MANUAL
CZ: PŘÍRUČKA PRO MONTÁŽ
SK: PRÍRUČKA PRE MONTÁŽ
DE: MONTAGEANLEITUNG
SR: UPUTSTVO ZA INSTALACIJU
NL: MONTAGE-INSTRUCTIES

07.07.2020 - Rev. 1

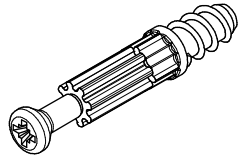


A1 x12



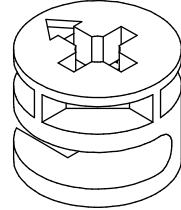
Ø8x35mm

B1 x12



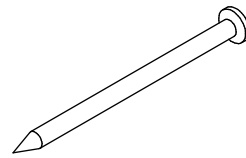
Ø5x38mm

C1 x12



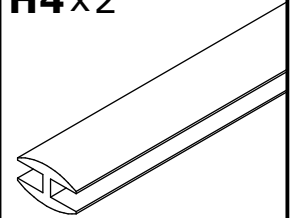
Ø15x12mm

G1 x56



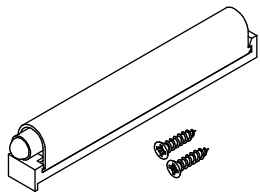
26mm

H4 x2



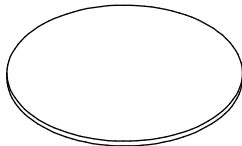
Ø715mm

I15 x2



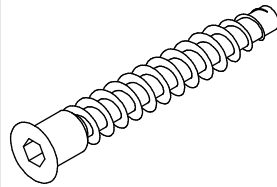
86x16x10mm

J10 x 8



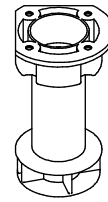
Ø21mm

K1 x3



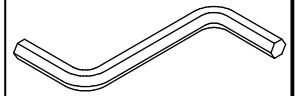
Ø6,4x50mm

L1 x 5



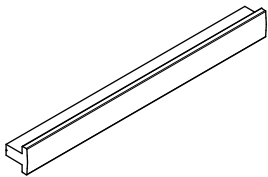
Ø50x95mm

N2 x1



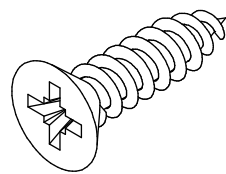
4mm HEX

U18 x1



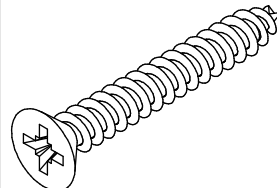
200mm

W2 x28



Ø3,5x16mm

W5 x2



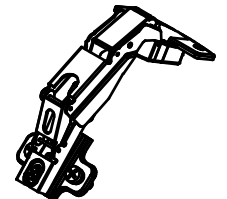
Ø4x30mm

Y1 x4

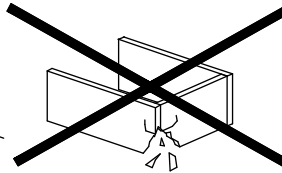
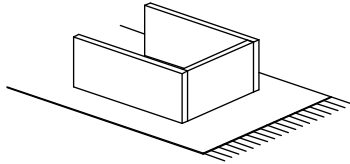
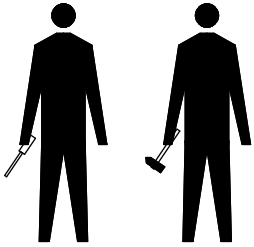


Ø8x1,5mm

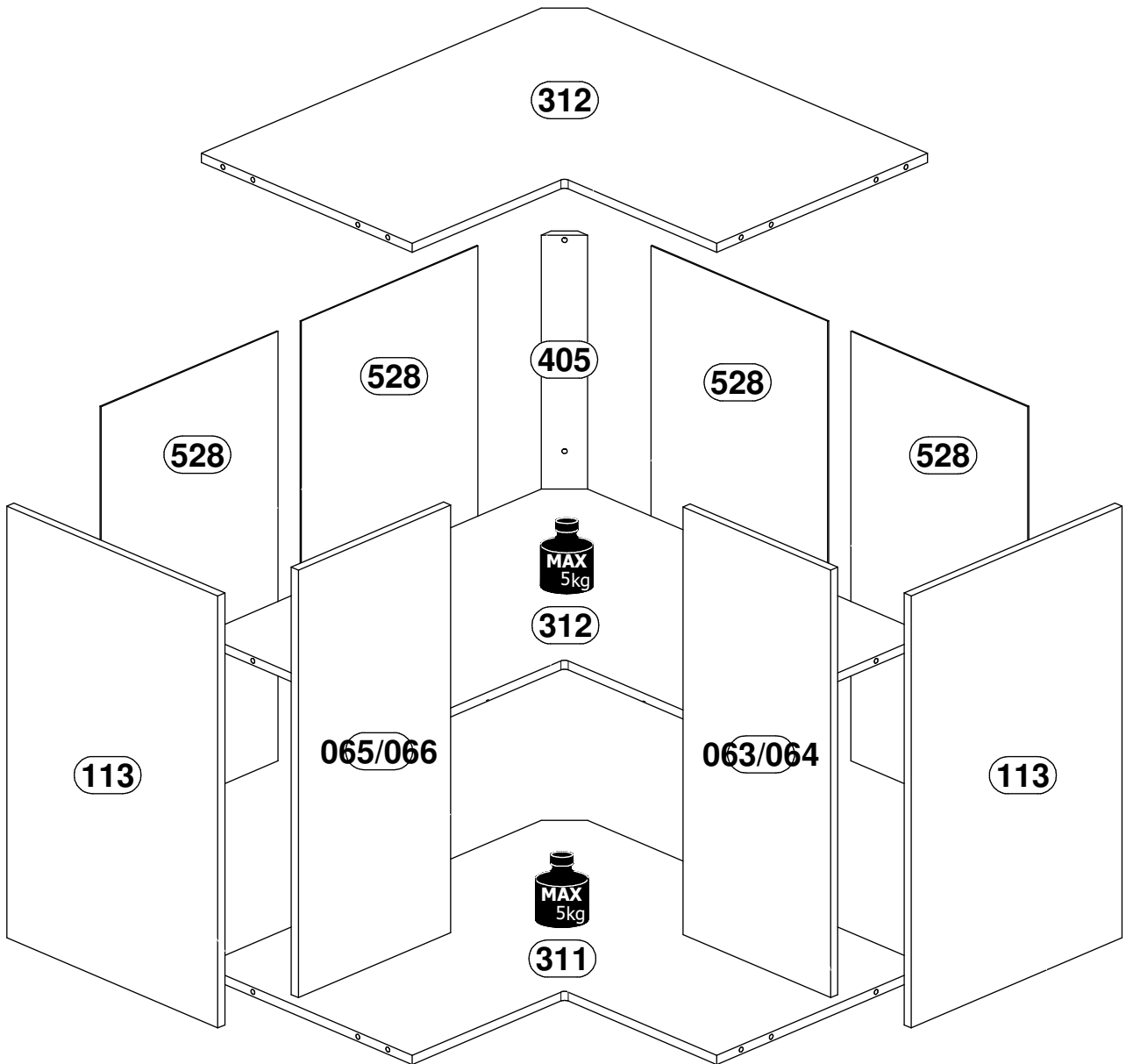
Z8 x4



Ø35mm, 165°

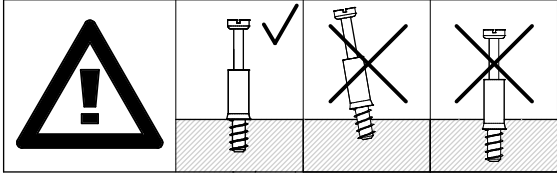
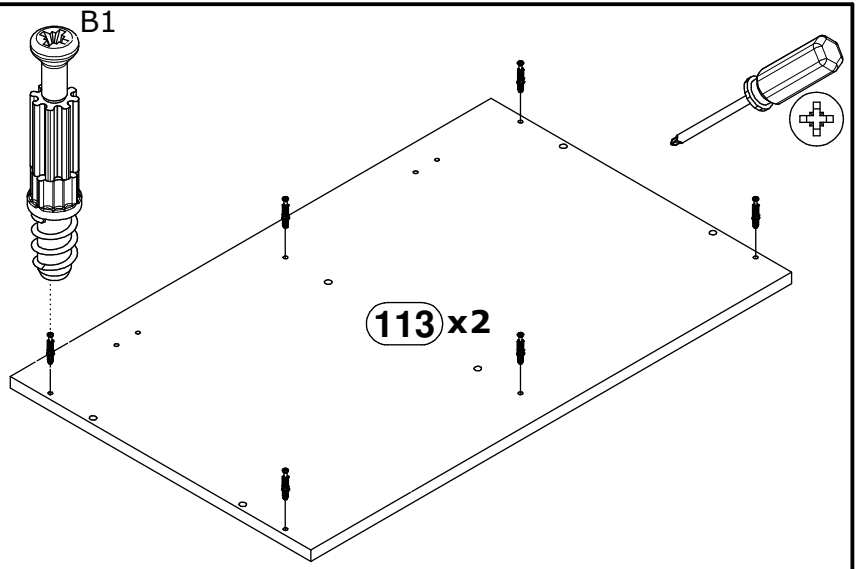


Nr	L[mm]	W[mm]	M[mm]	PCS	BOX
063/064	713	315	15/18	1	3/3
065/066	713	325	15/18	1	3/3
113	720	450	15	2	2/3
311	775	775	15	1	1/3
312	775	775	15	2	1/3
405	720	70	15	1	2/3
528	716	377	2,5	4	2/3



1

B1 x12
Ø5x38mm



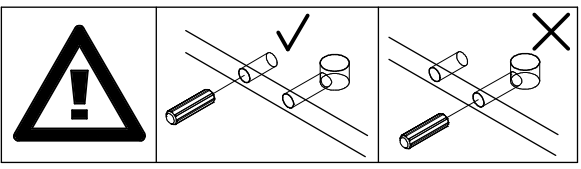
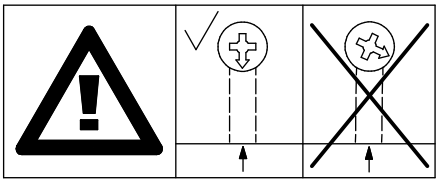
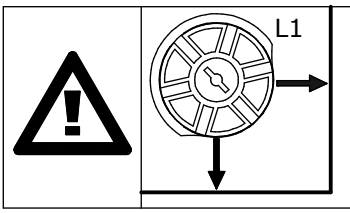
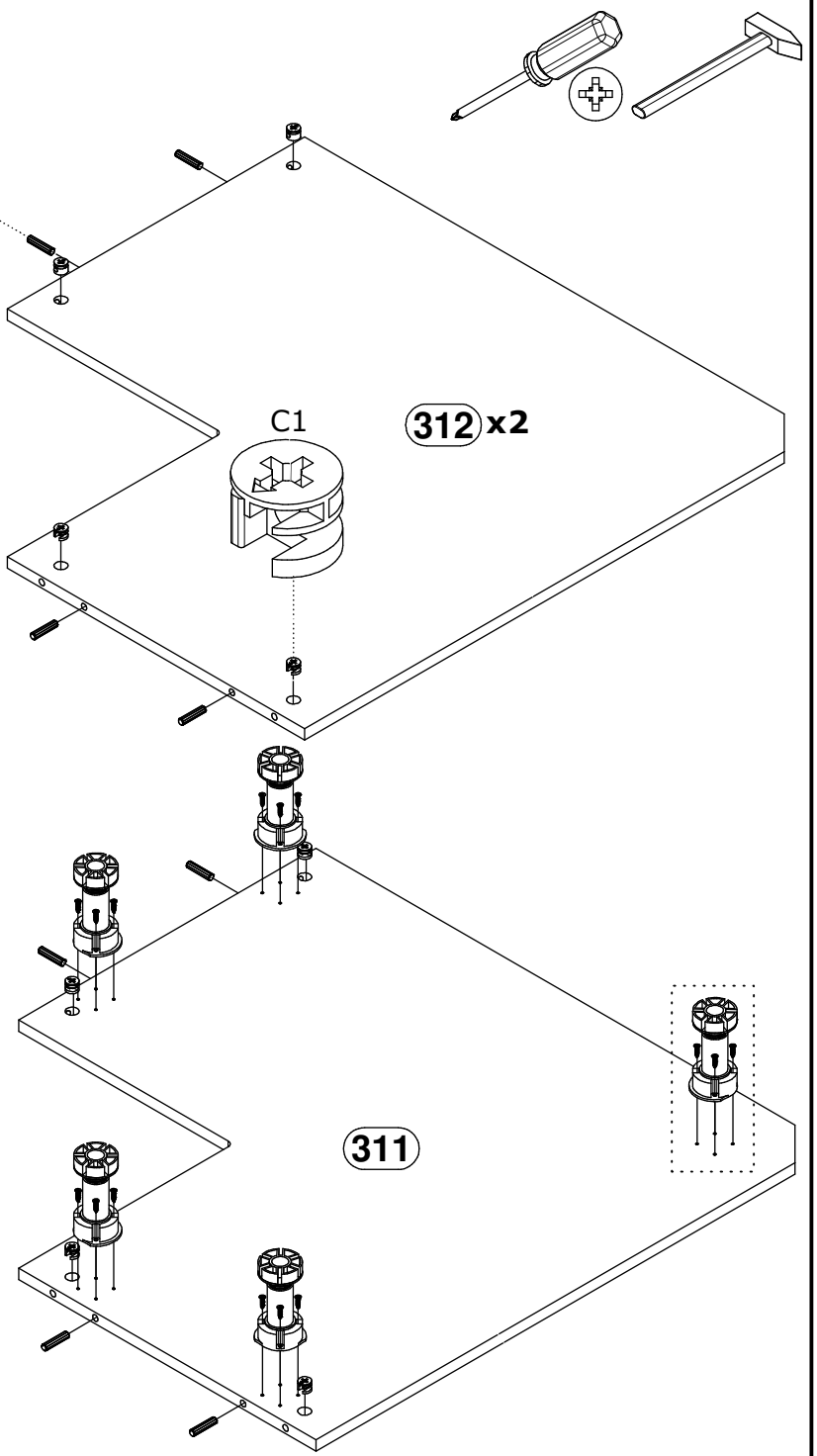
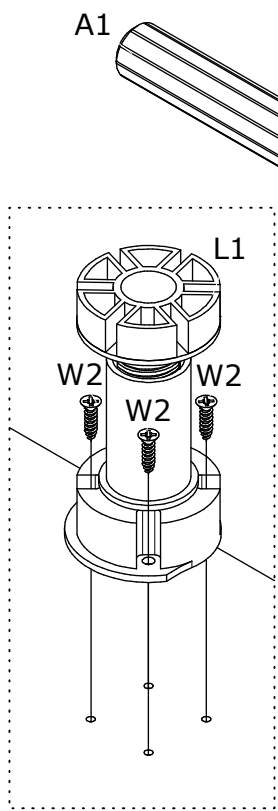
2

A1 x12
Ø8x35mm

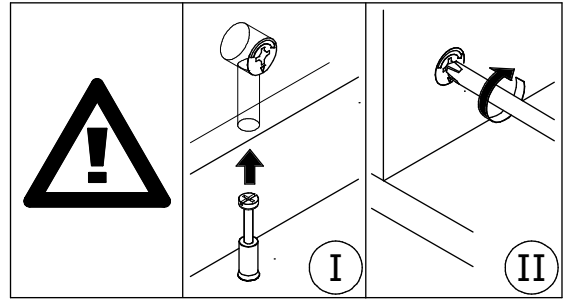
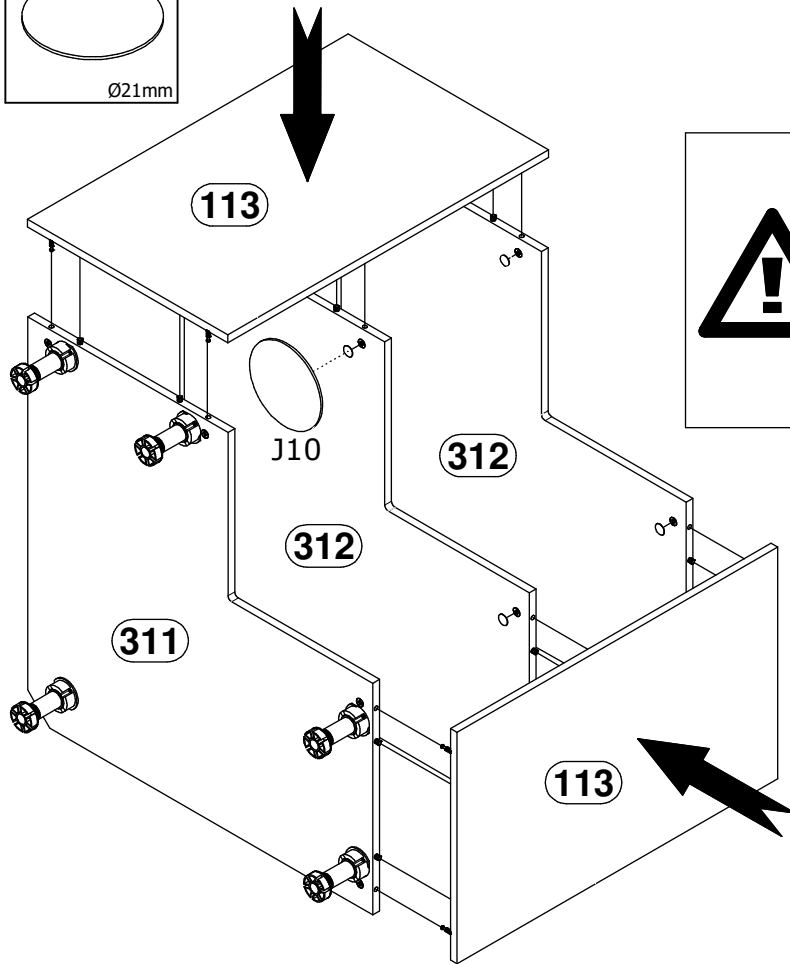
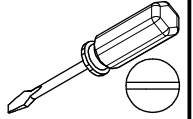
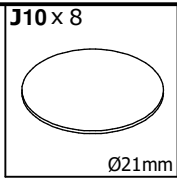
C1 x12
Ø15x12mm

L1 x5
Ø50x95mm

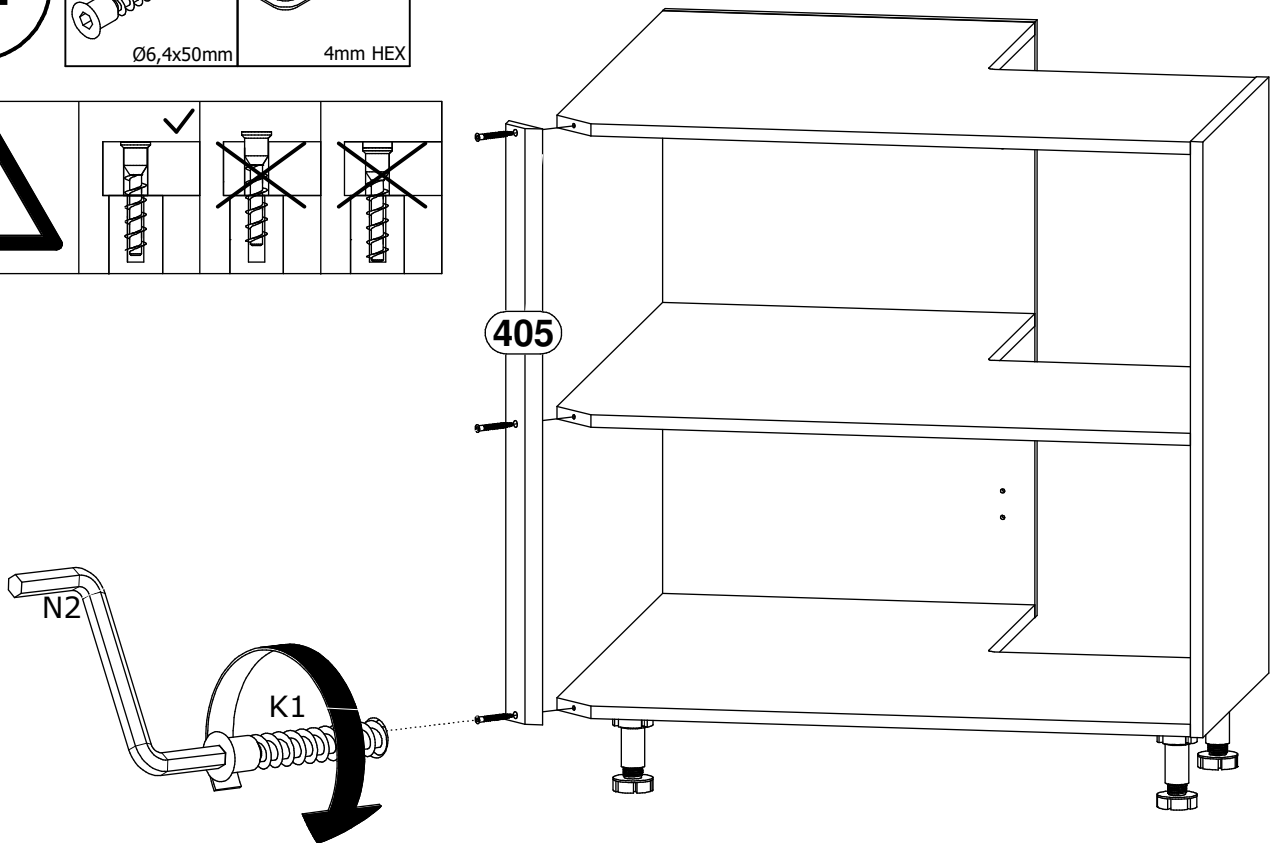
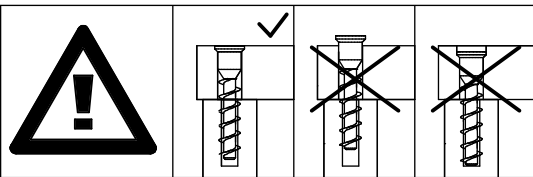
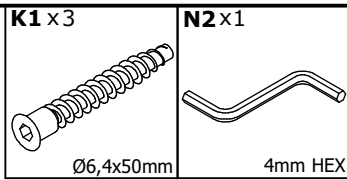
W2 x20
Ø3,5x16mm



3

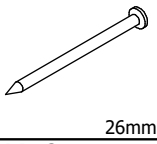


4

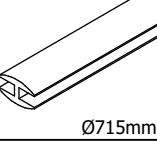


5

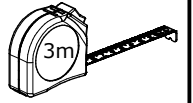
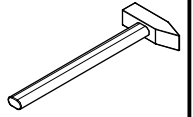
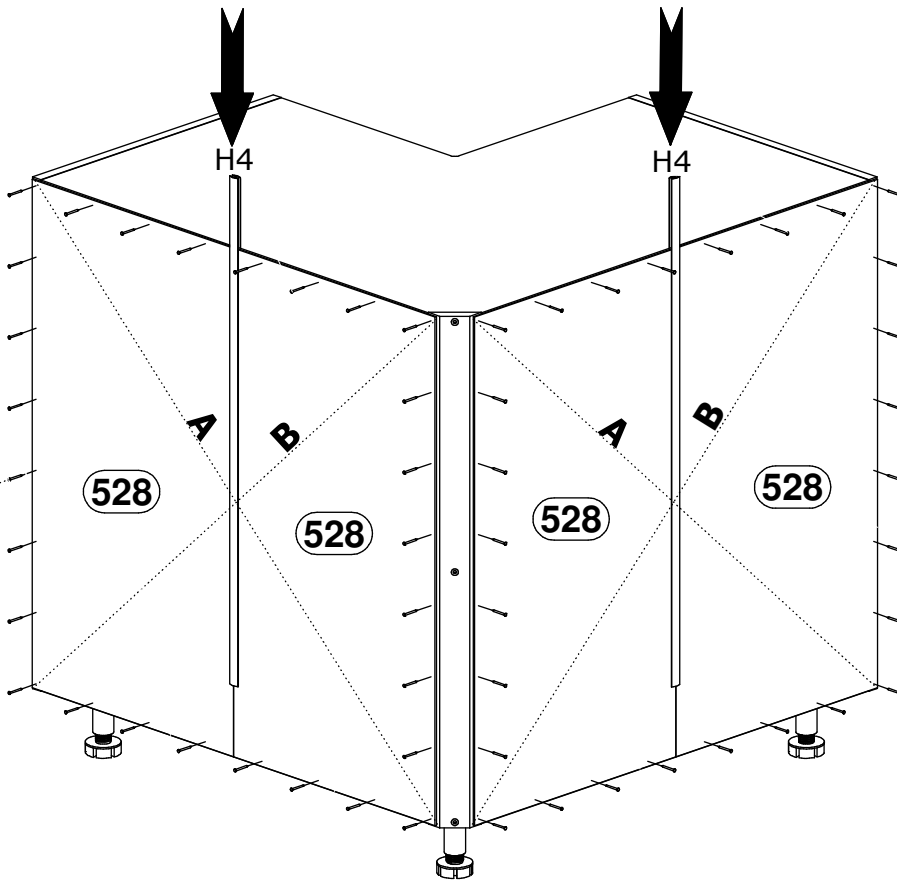
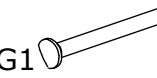
G1 x 56



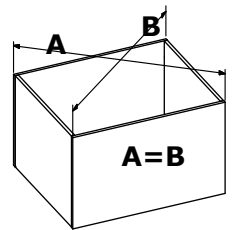
H4 x 2



G1

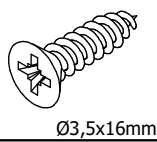


A=B ≡ 90°

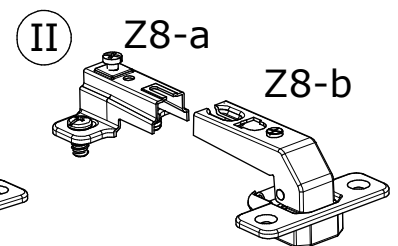
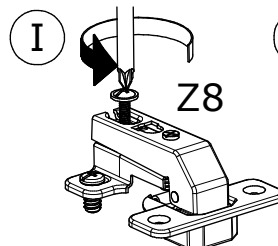
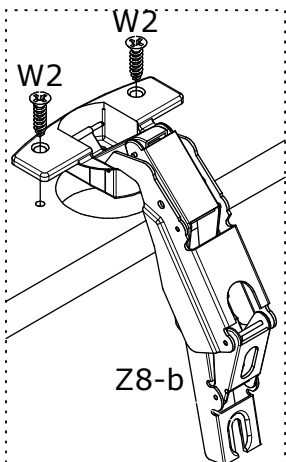
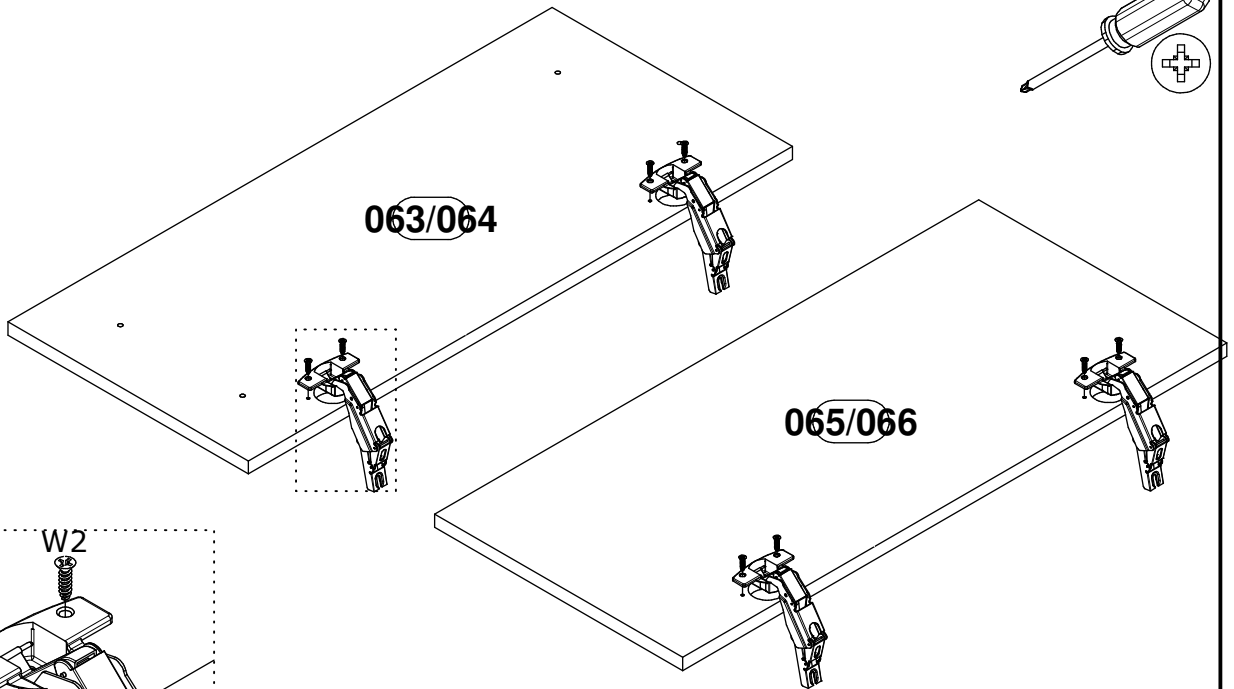
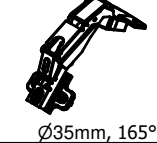


6

W2 x 8

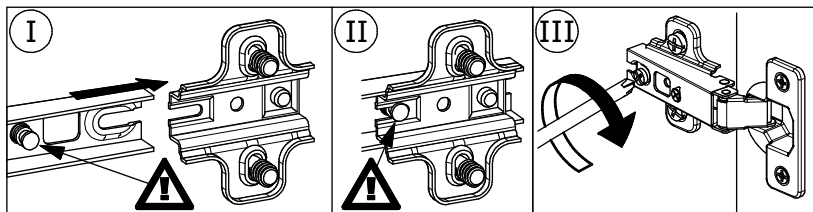
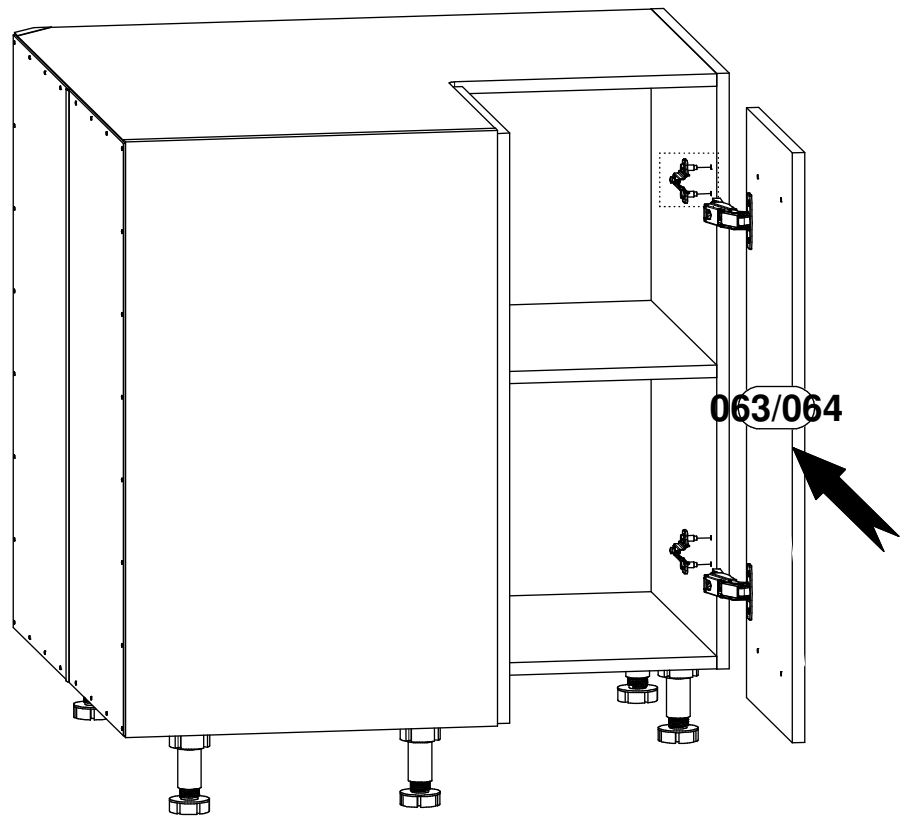
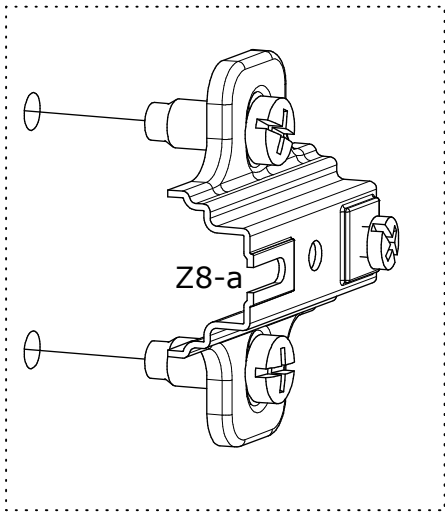
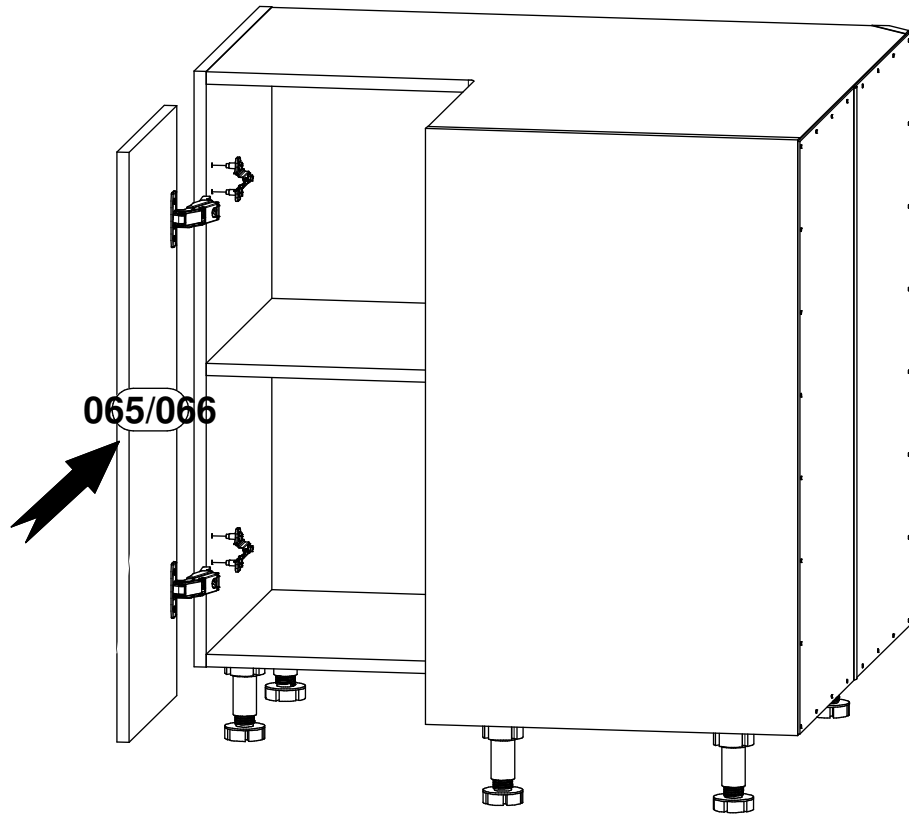
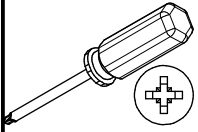


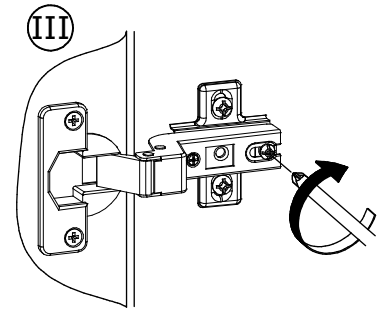
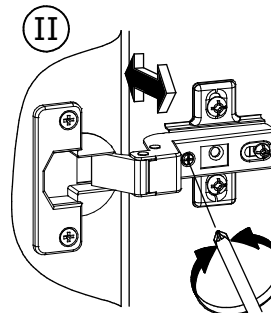
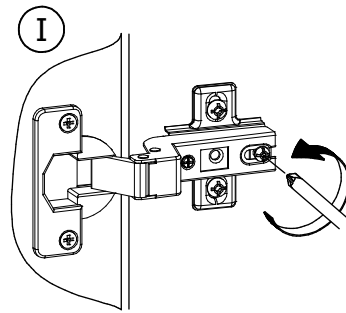
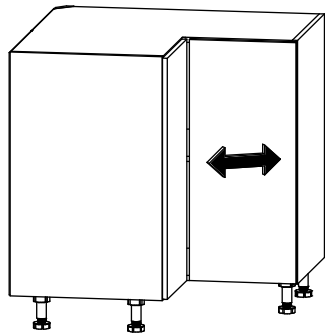
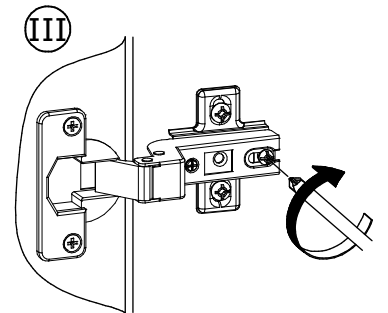
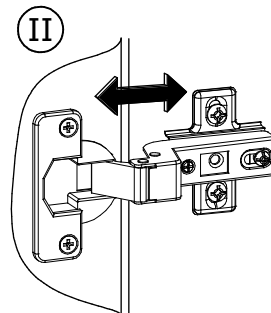
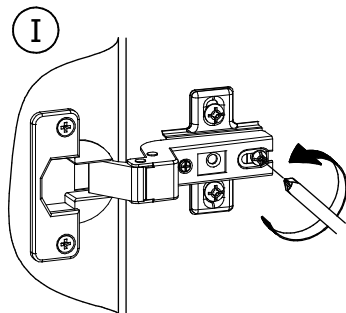
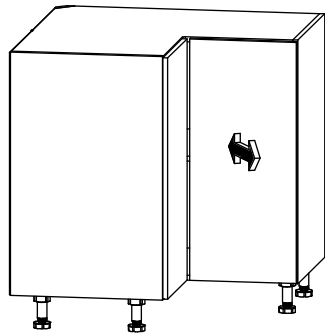
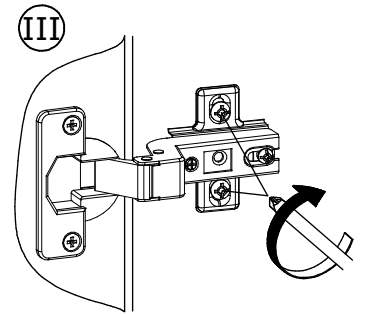
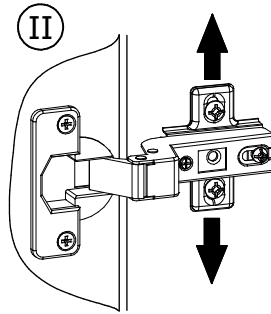
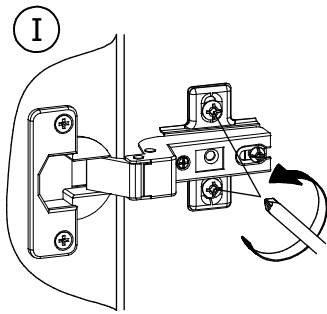
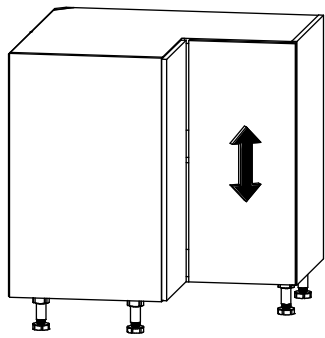
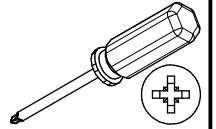
Z8 x 4



7

Z8-a x 4
50x40, H=2





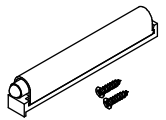
?

A

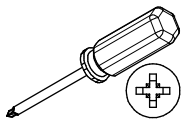
B

A

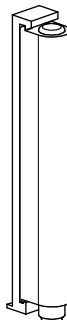
I15



86x16x10mm

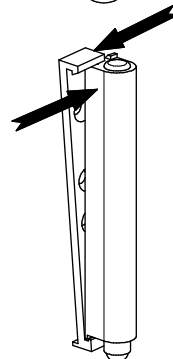


I

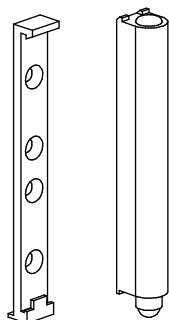


I15

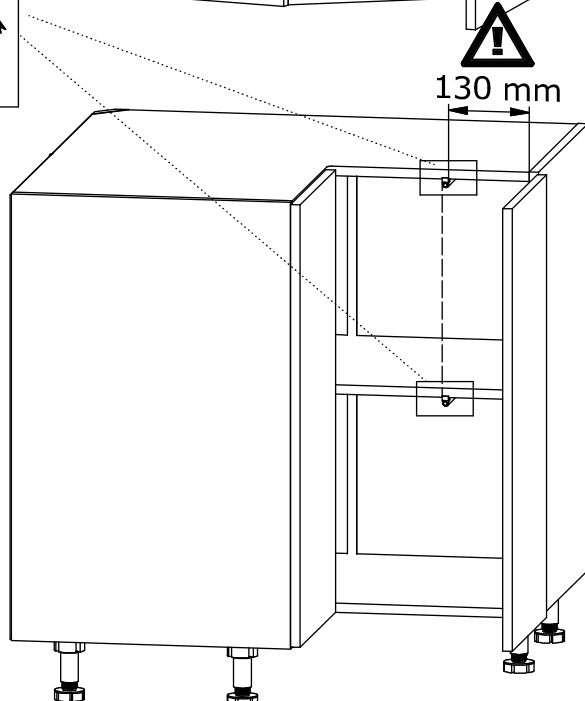
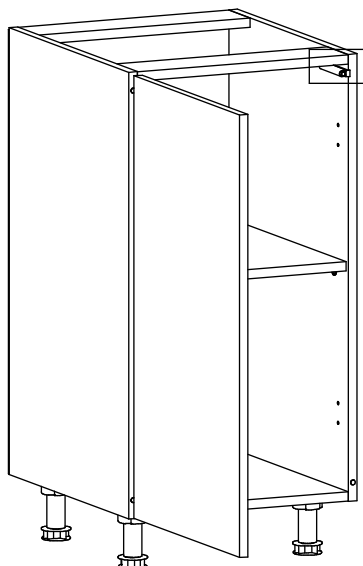
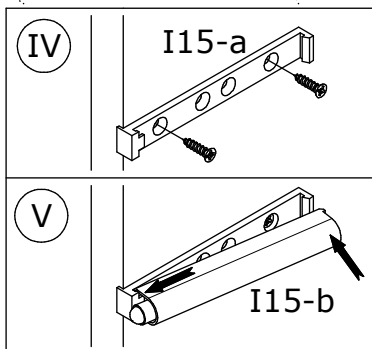
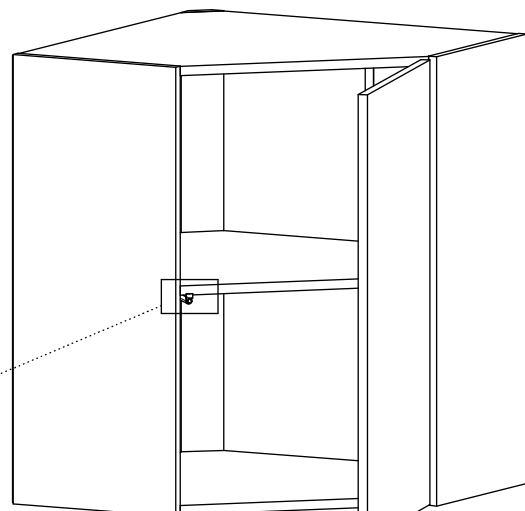
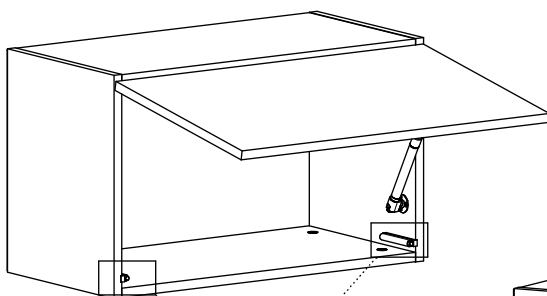
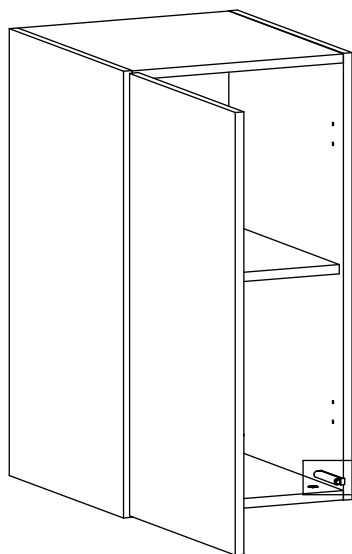
II



III

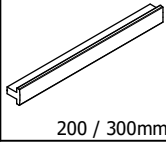


I15-a I15-b



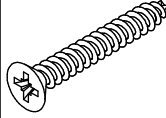
B

U18 / U19



200 / 300mm

W5

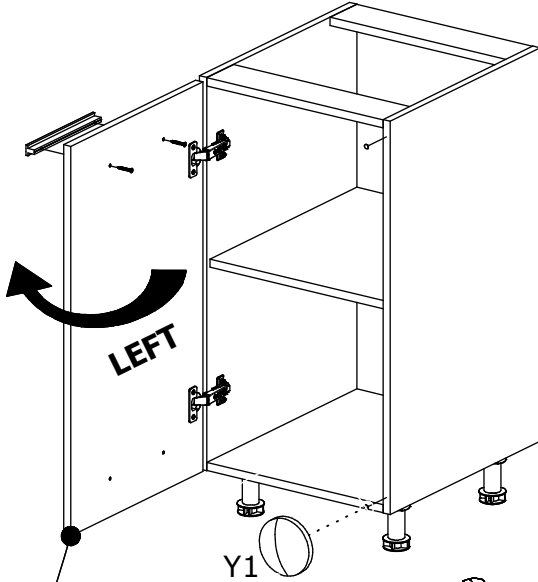
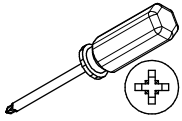
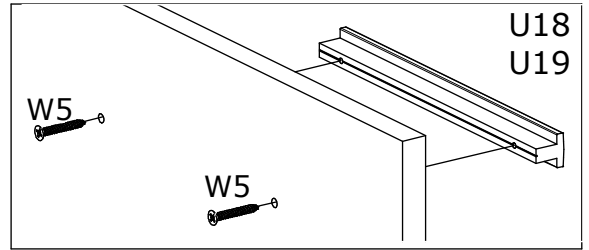


Ø4x30mm

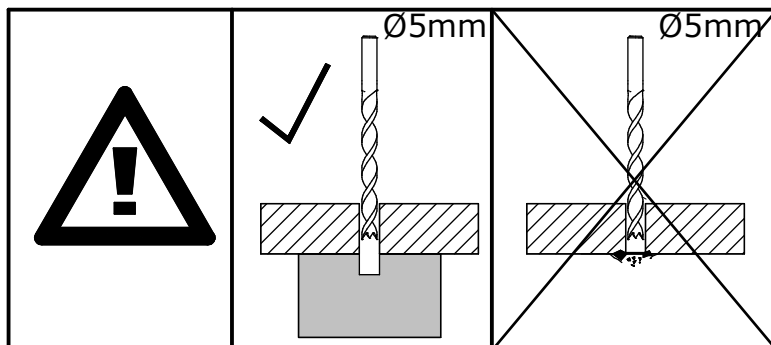
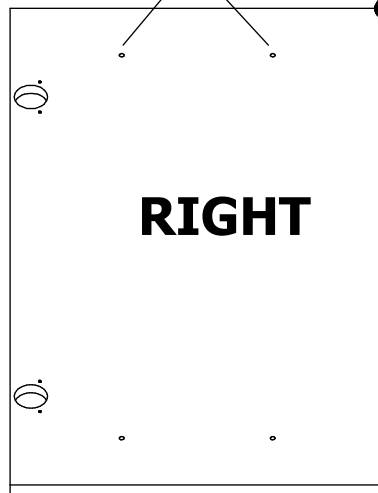
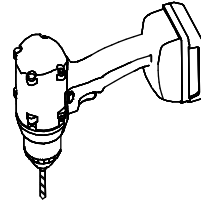
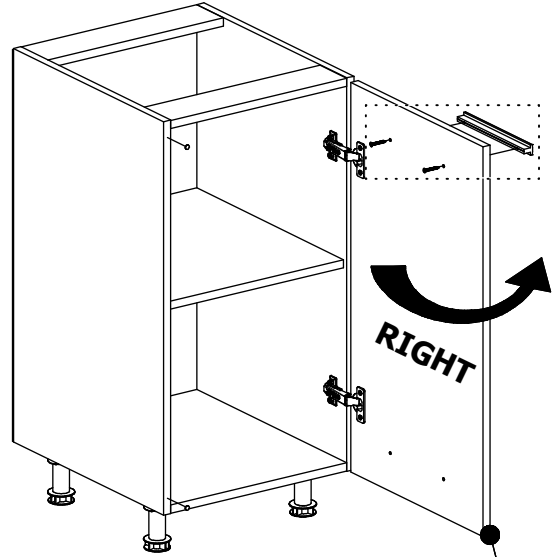
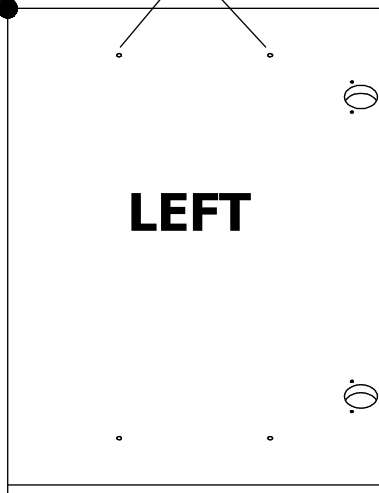
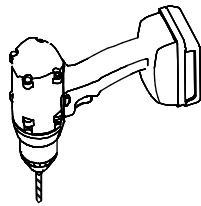
Y1

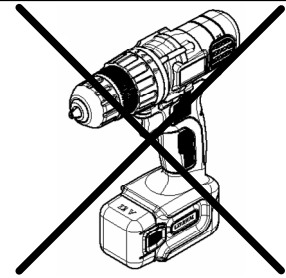
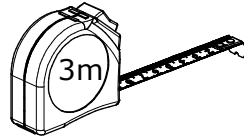
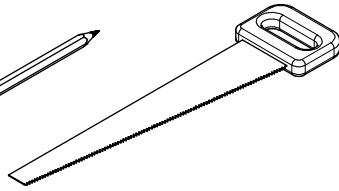
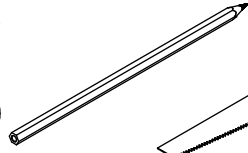
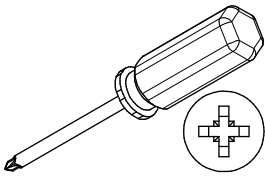


Ø8x1,5mm

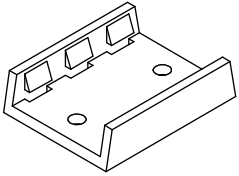


Y1



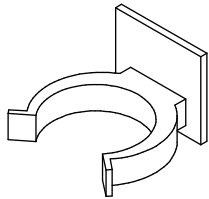


L6-ax8



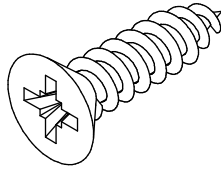
38x30x10mm

L6-bx8

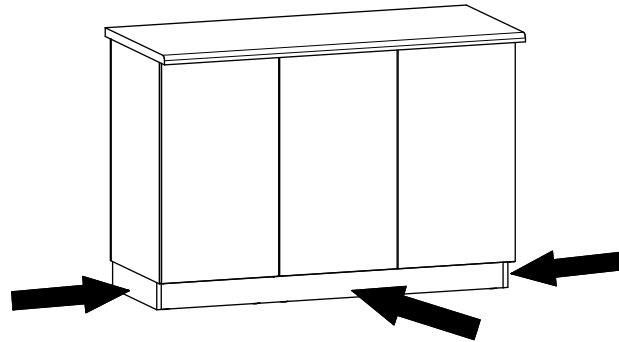
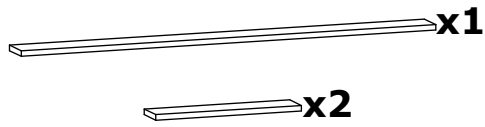


35x32x25mm

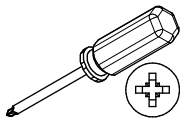
W2x16



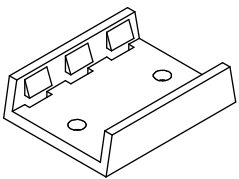
Ø3,5x16mm



C1

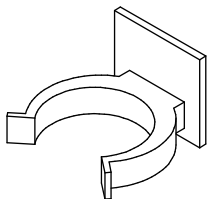


L6-ax4



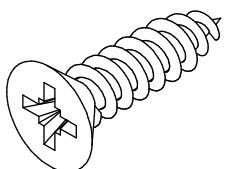
38x30x10mm

L6-bx4

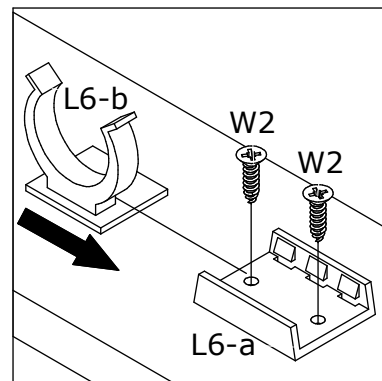
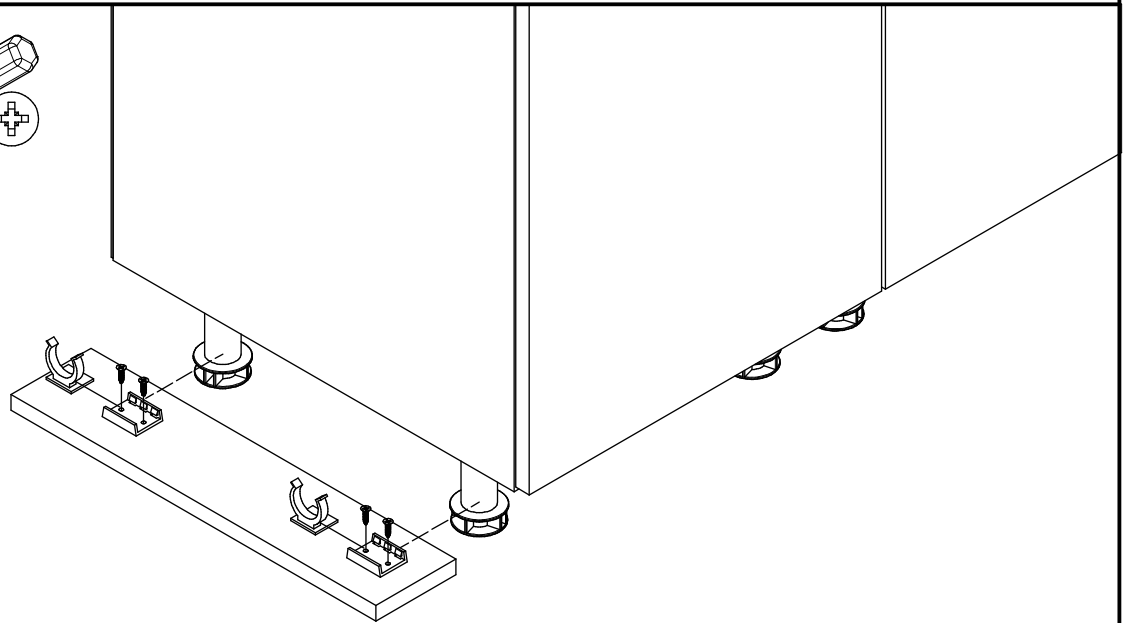


35x32x25mm

W2x8

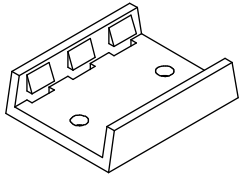


Ø3,5x16mm



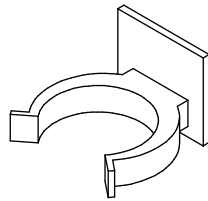
C2

L6-a x4



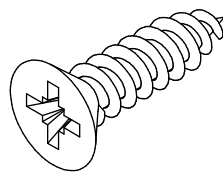
38x30x10mm

L6-b x4



35x32x25mm

W2 x8



Ø3,5x16mm

