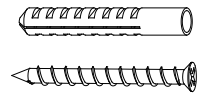
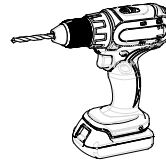
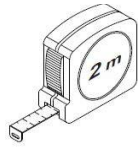
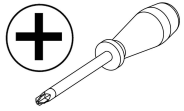
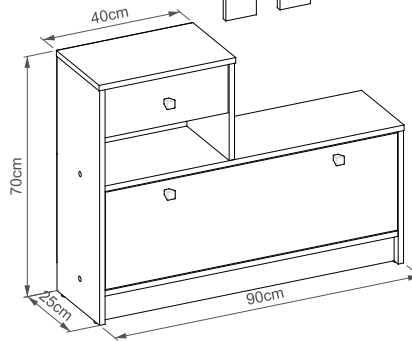
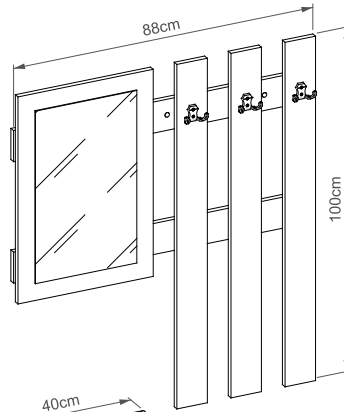
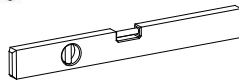
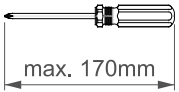


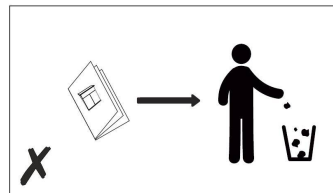
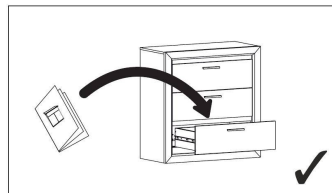
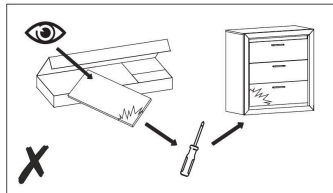
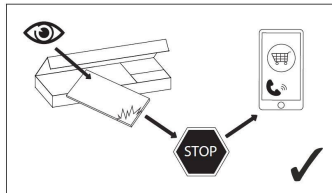
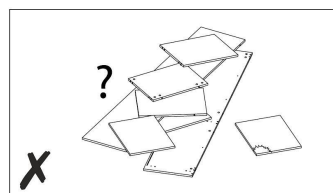
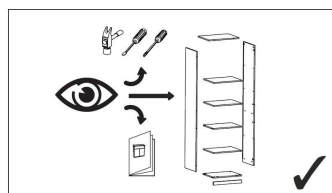
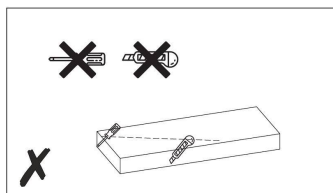
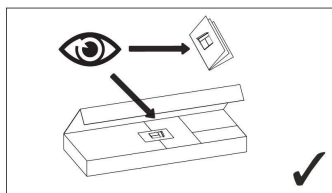
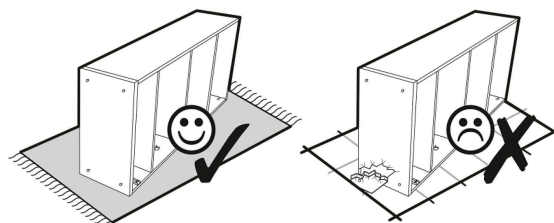
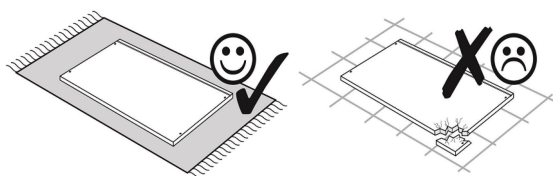


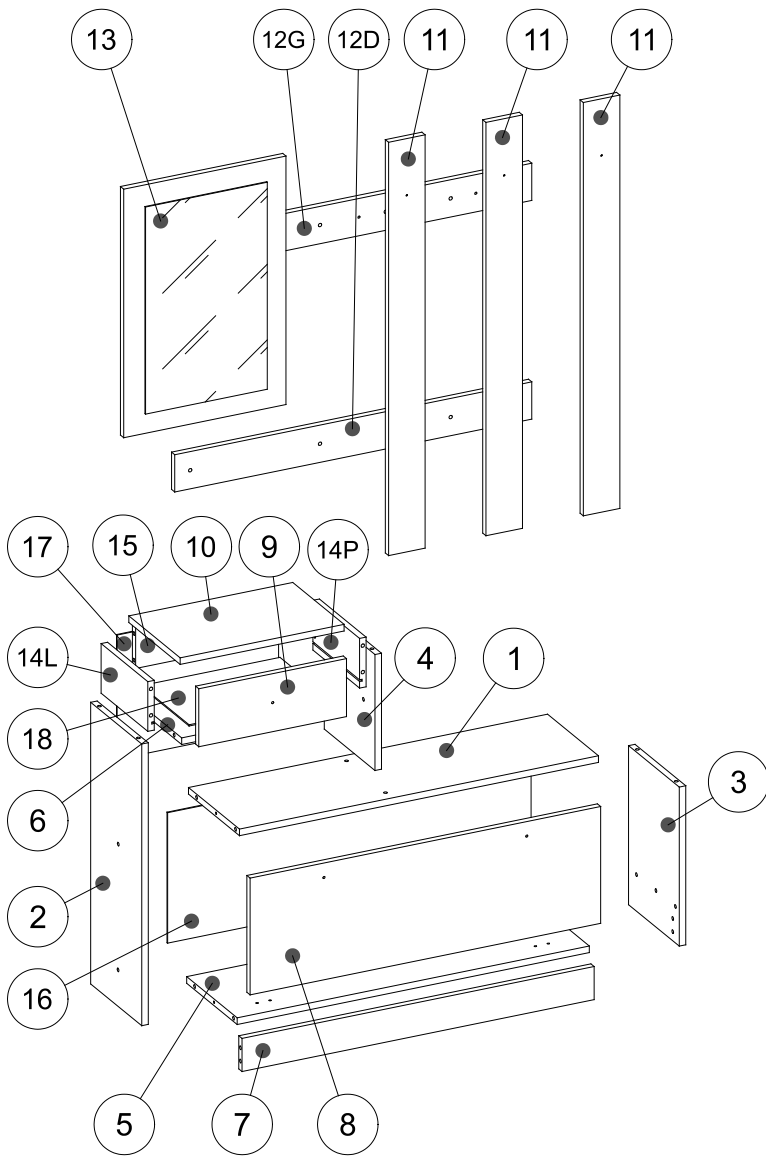
~120 min



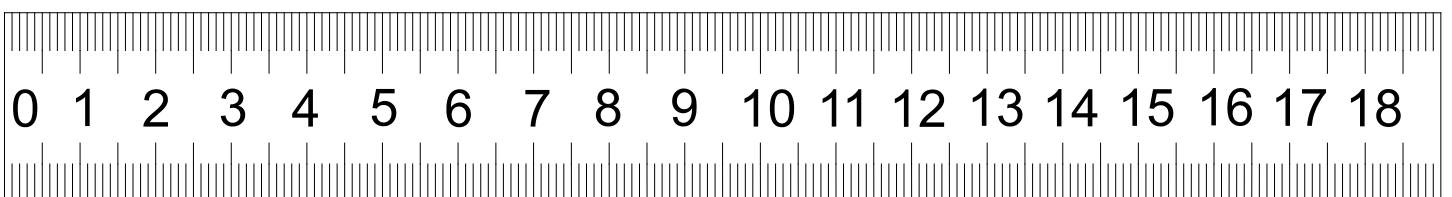
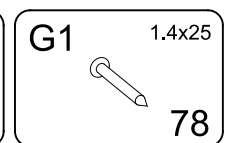
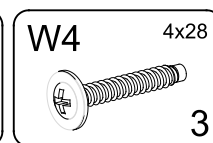
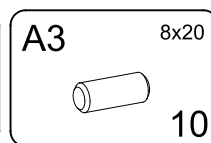
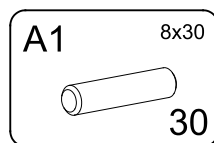
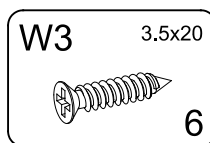
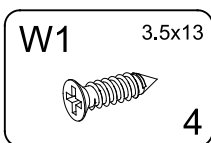
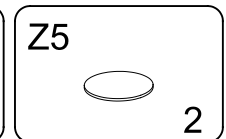
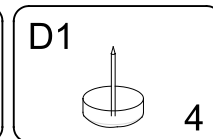
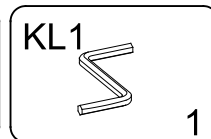
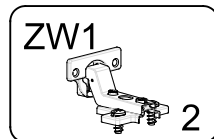
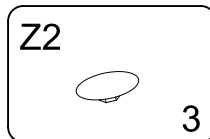
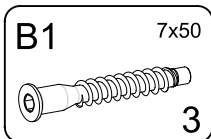
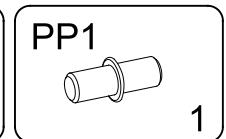
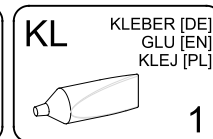
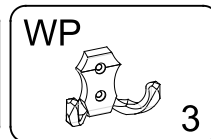
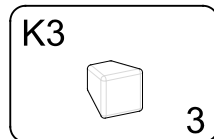
x2



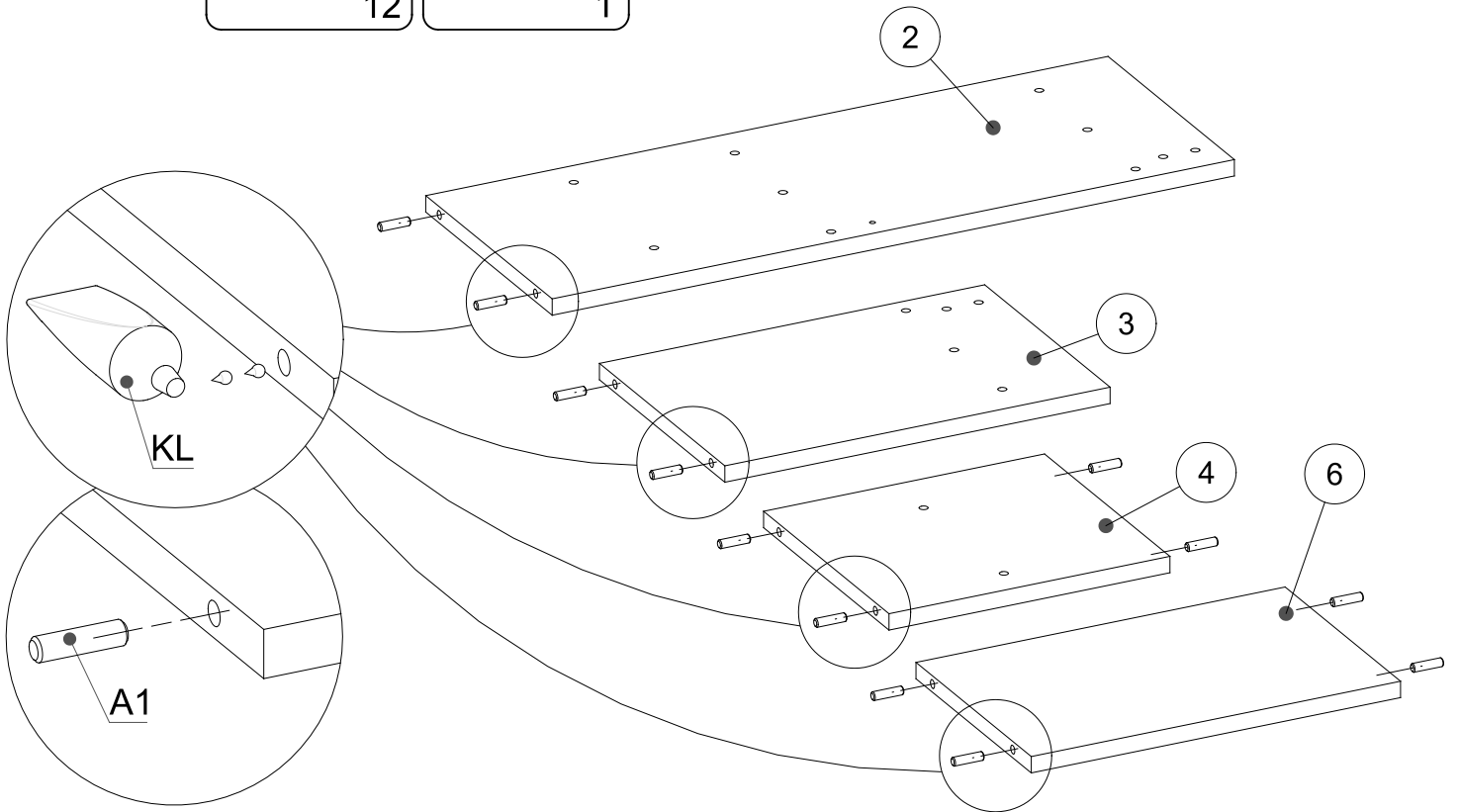
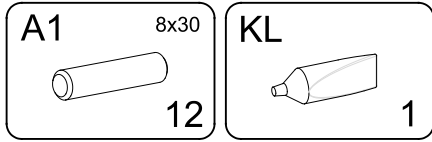




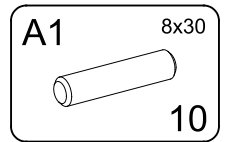
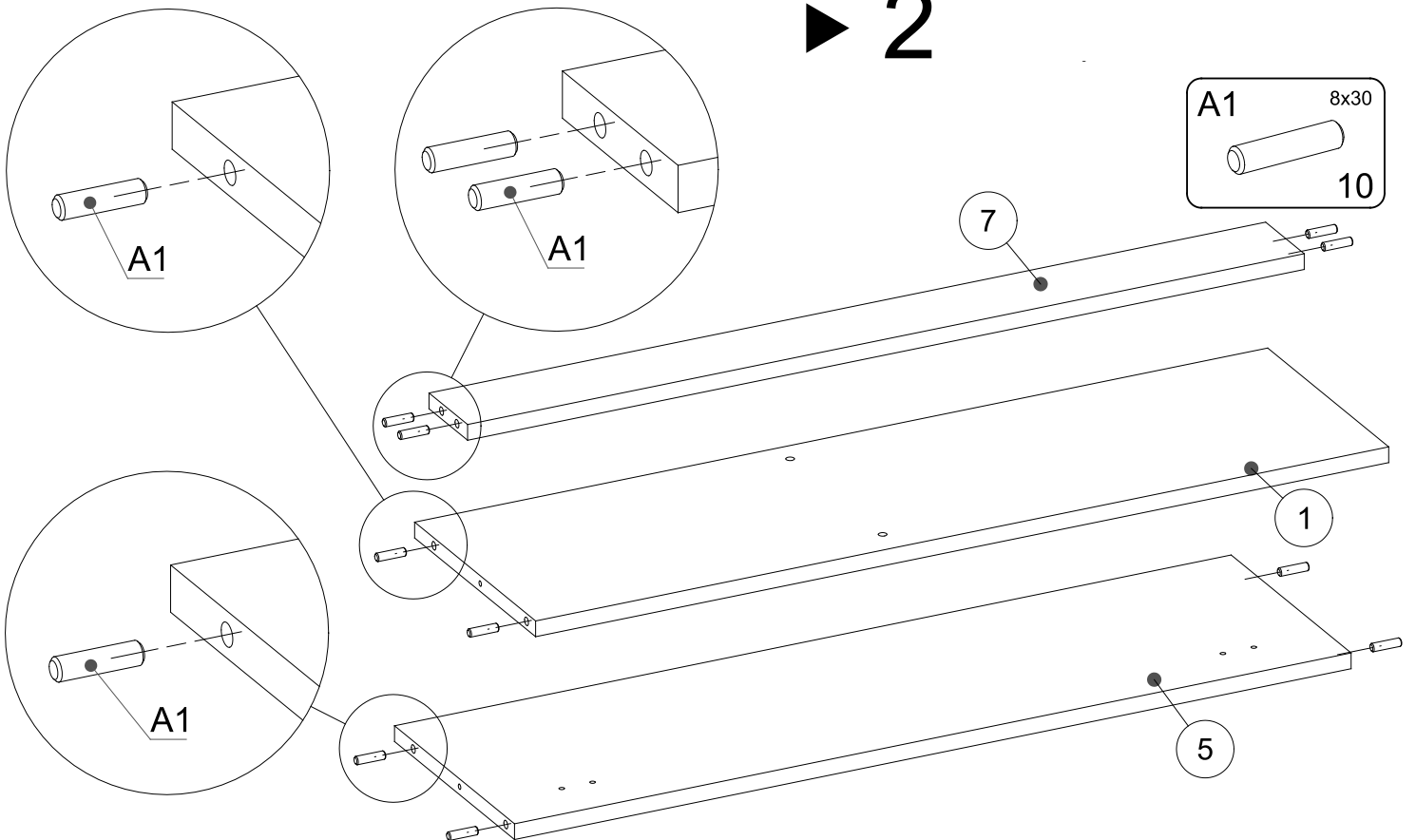
1	885x251x16mm	1
2	680x252x16mm	1
3	384x250x16mm	1
4	280x250x16mm	1
5	868x249x16mm	1
6	368x230x16mm	1
7	868x80x16mm	1
8	864x282x16mm	1
9	364x140x16mm	1
10	404x253x16mm	1
11	998x90x16mm	3
12D	880x90x16mm	1
12G	880x90x16mm	1
13	600x400x16mm	1
14L	230x120x16mm	1
14P	230x120x16mm	1
15	332x99x16mm	1
16	896x315x3mm	1
17	398x300x3mm	1
18	342x236x3mm	1



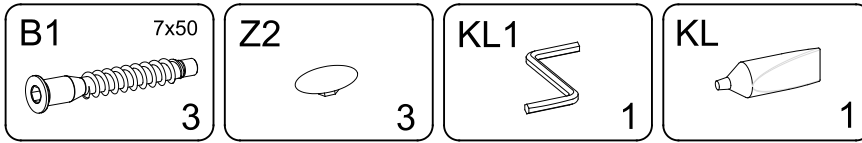
▶ 1



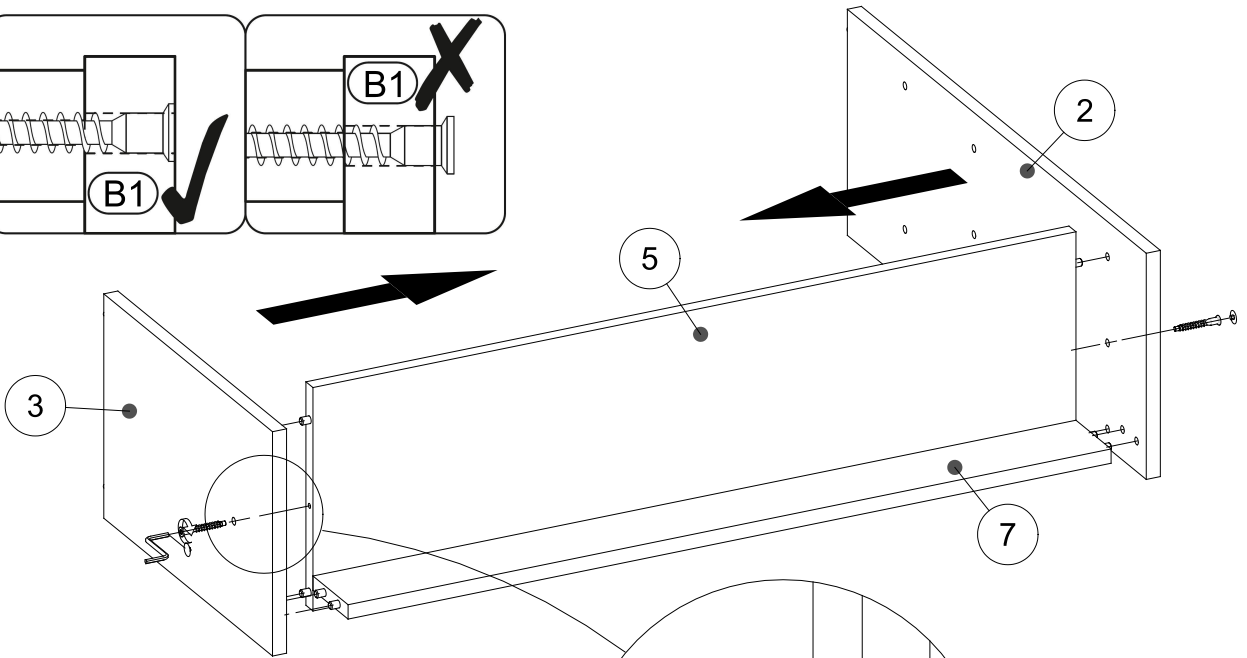
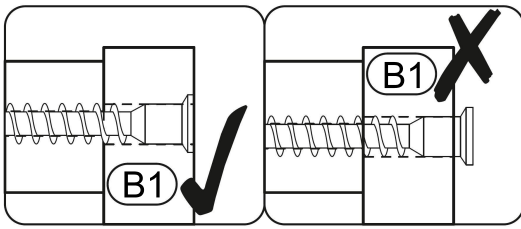
▶ 2



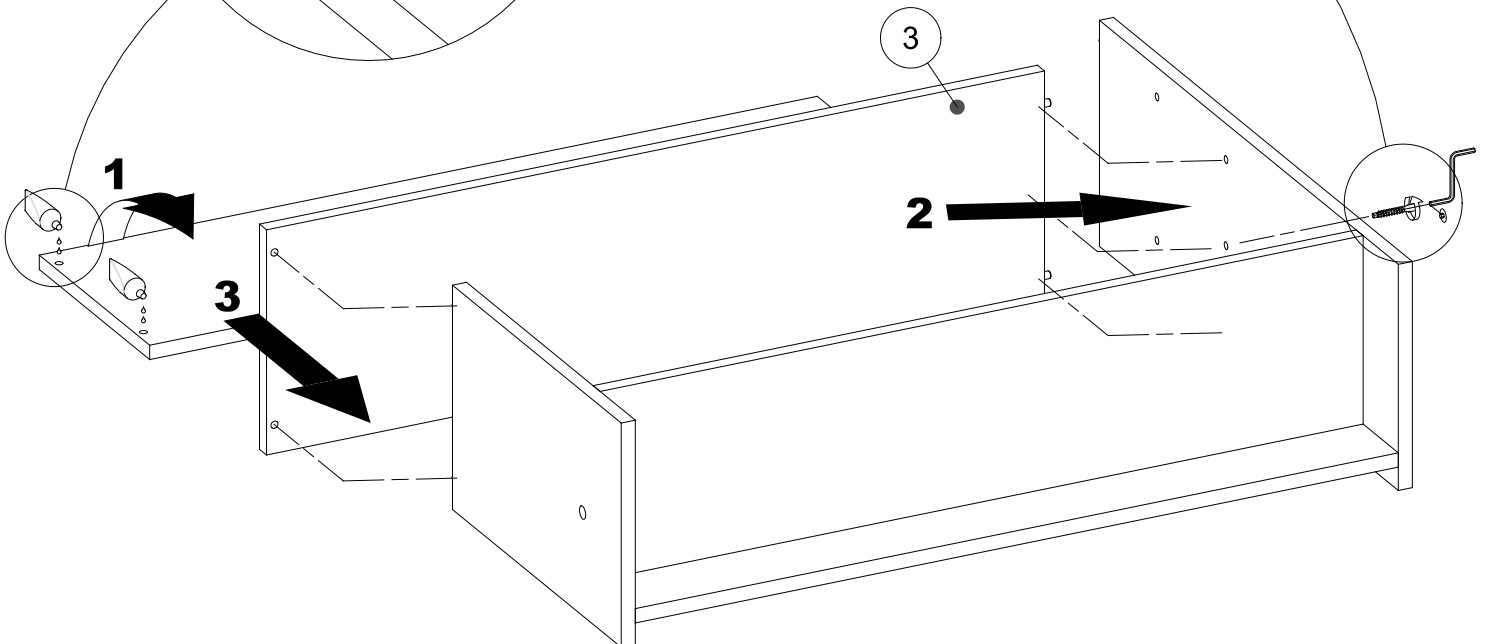
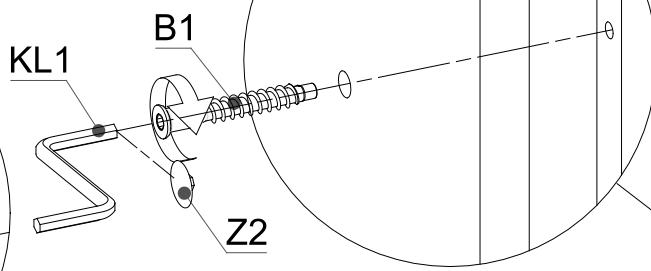
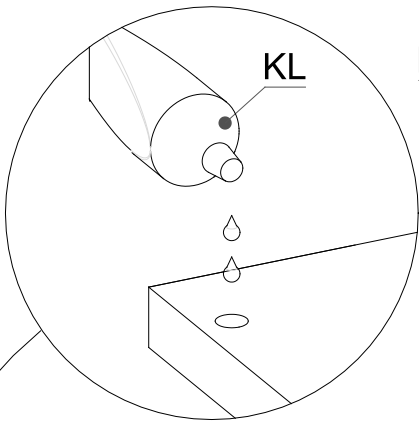
▶ 3



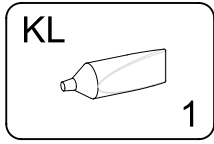
1)



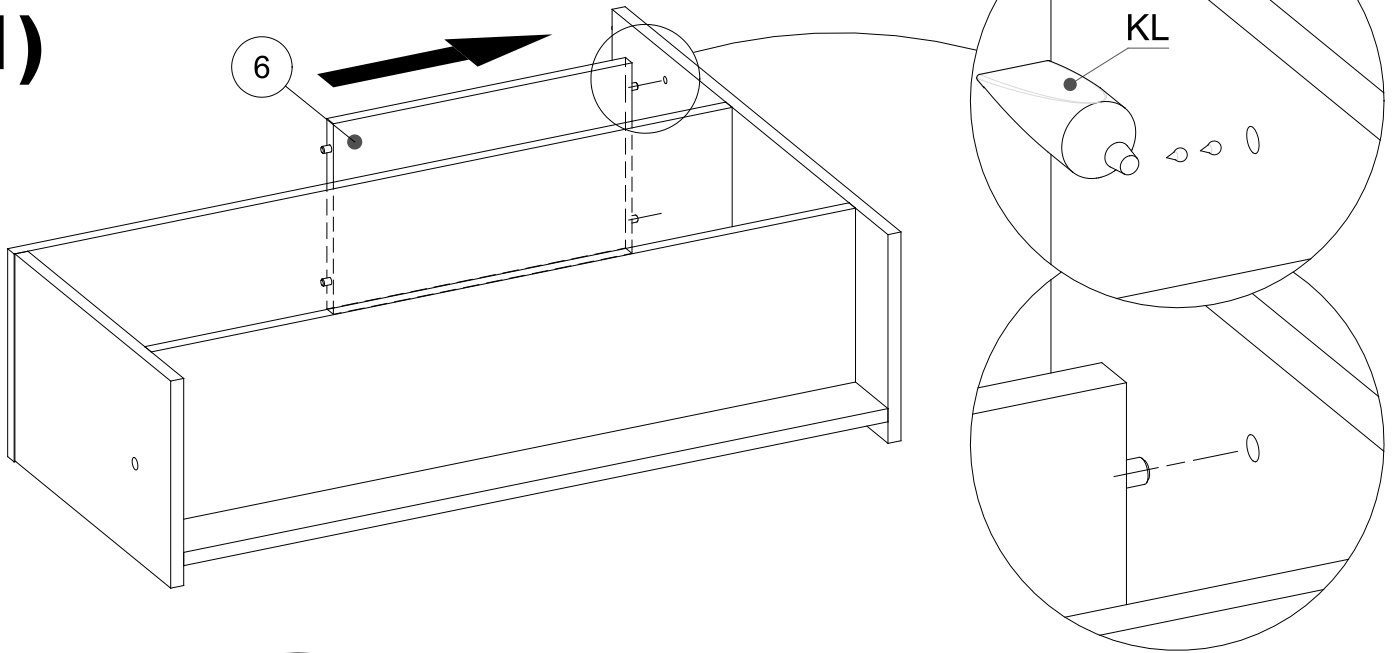
2)



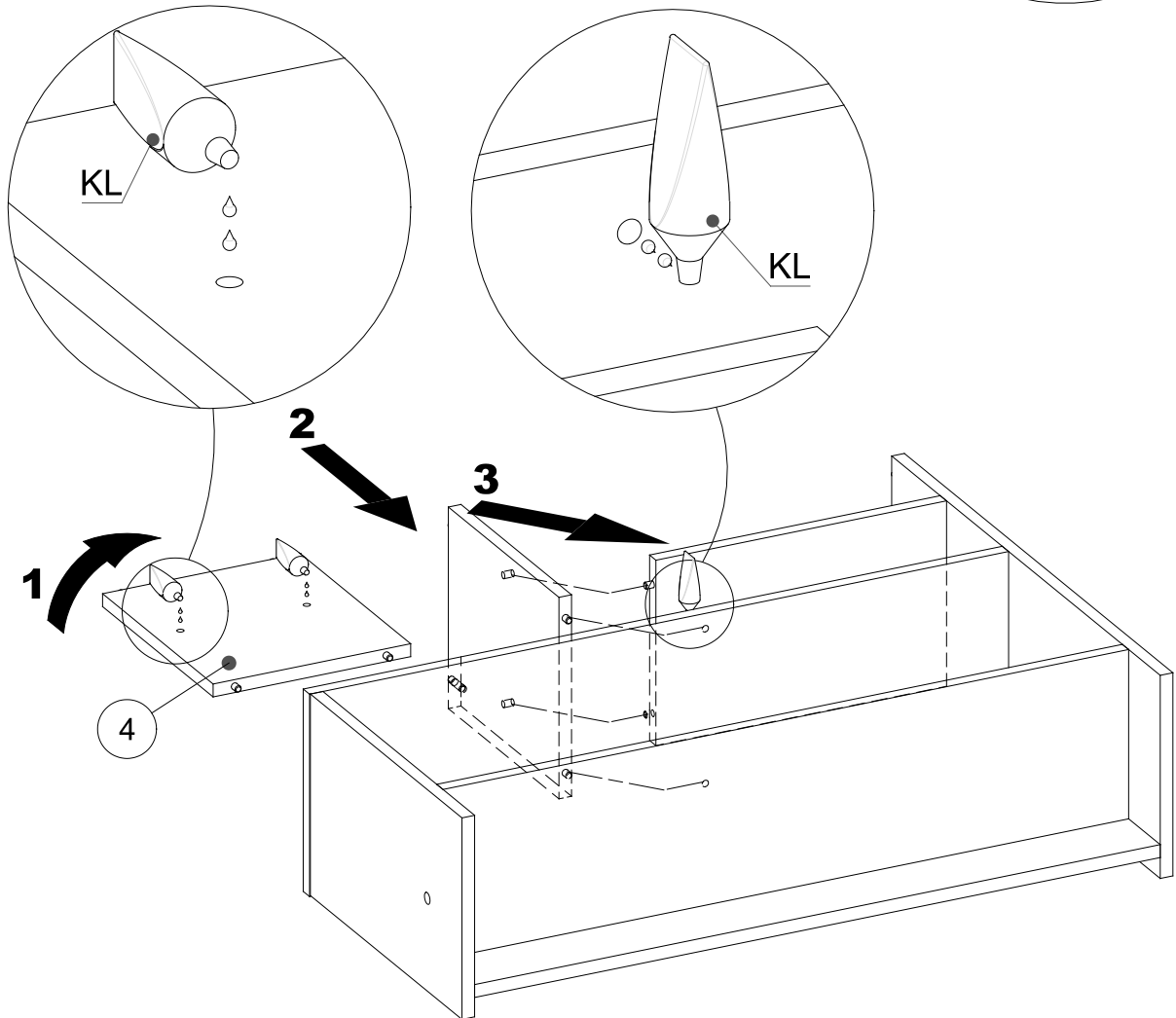
▶ 4



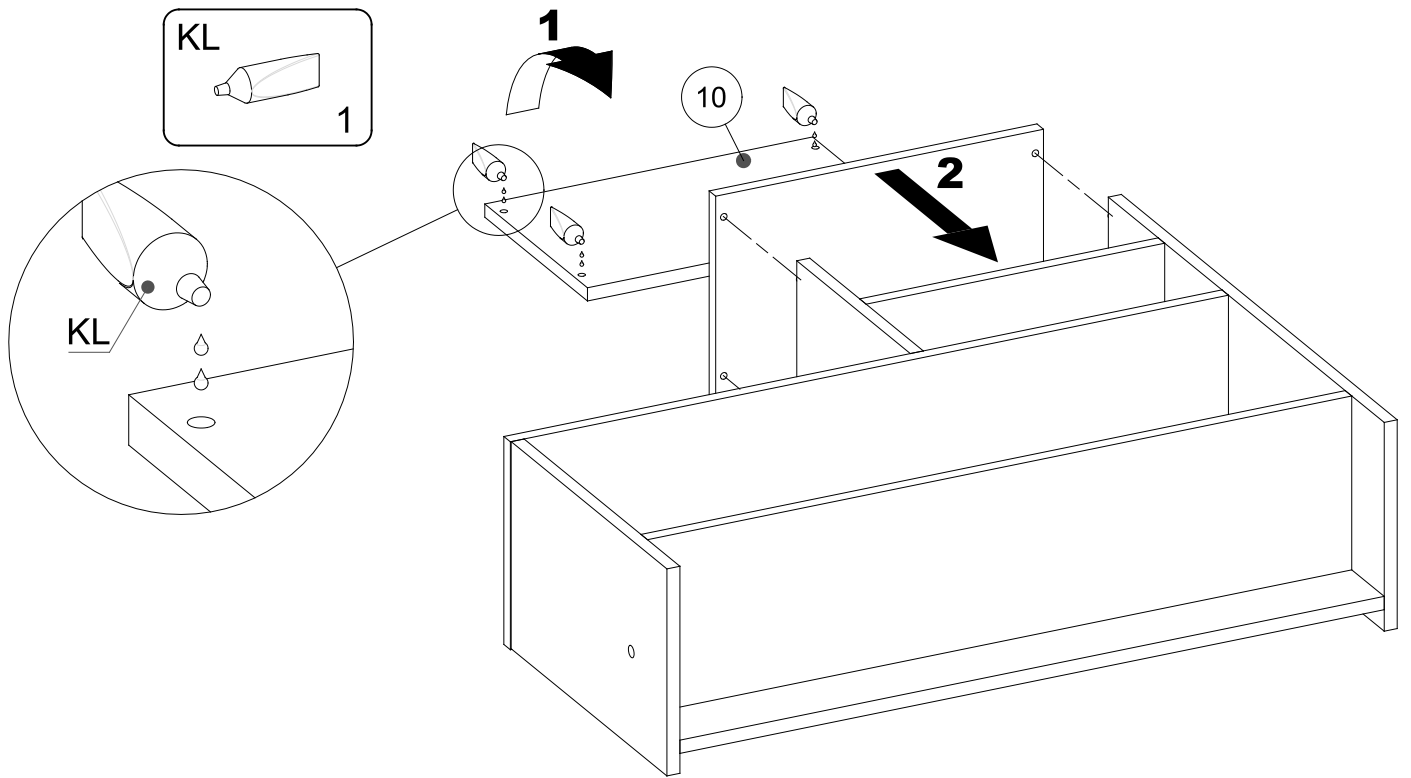
1)



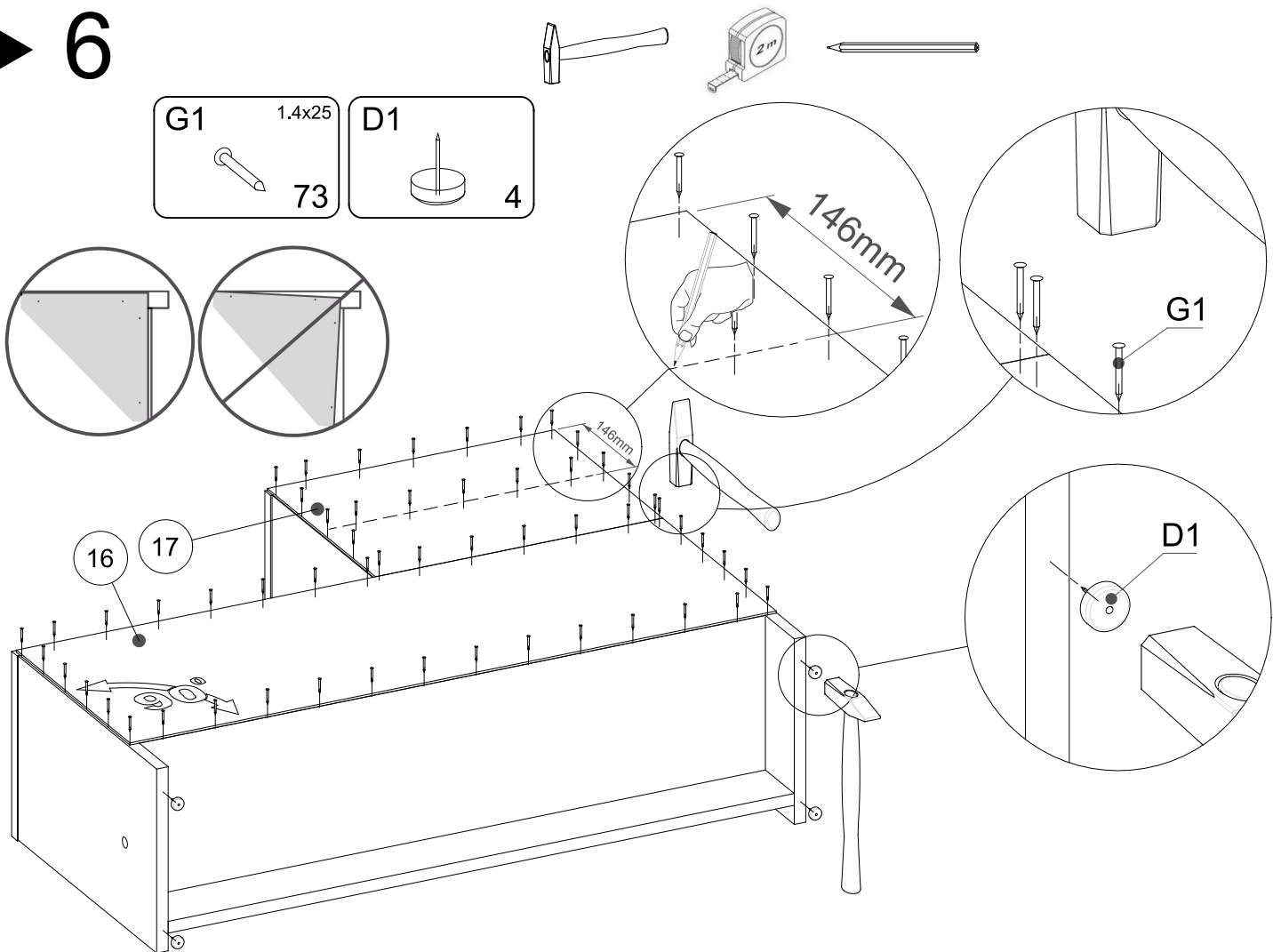
2)



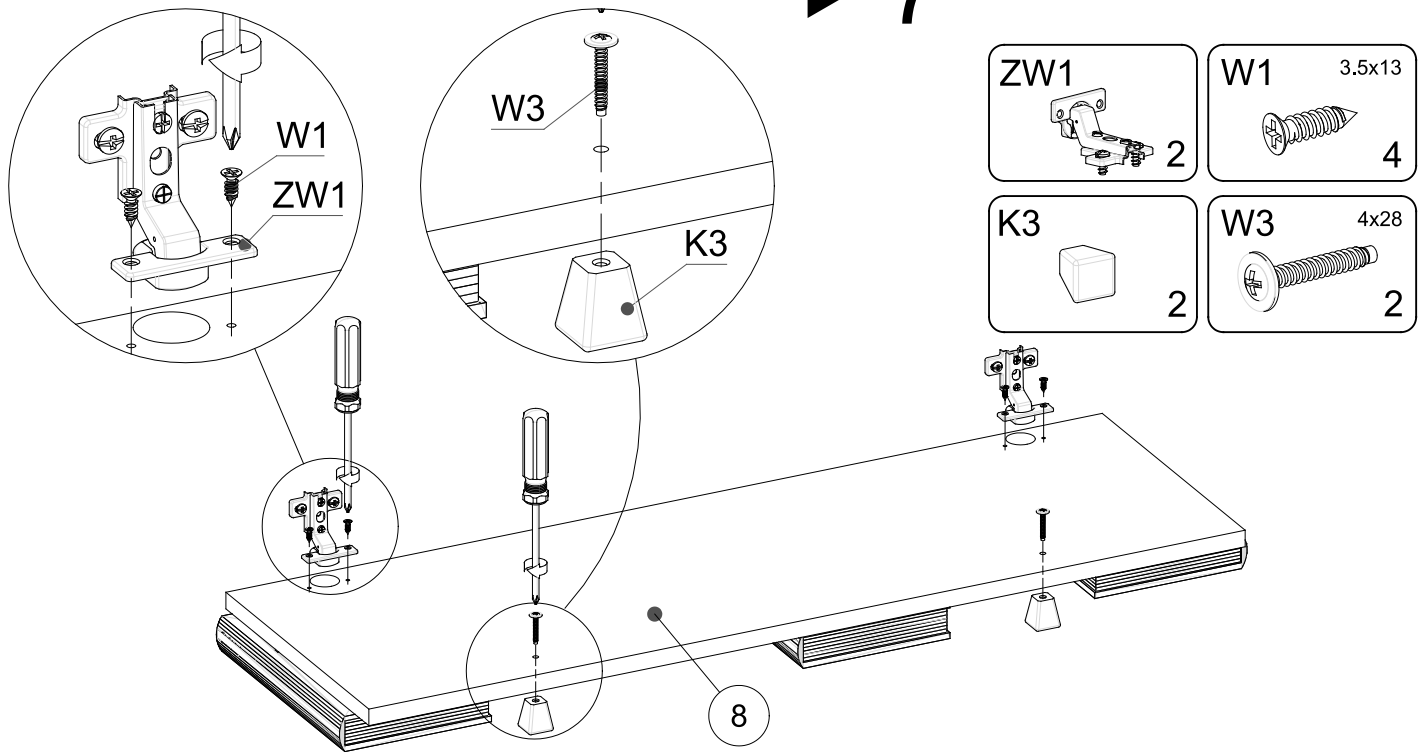
▶ 5



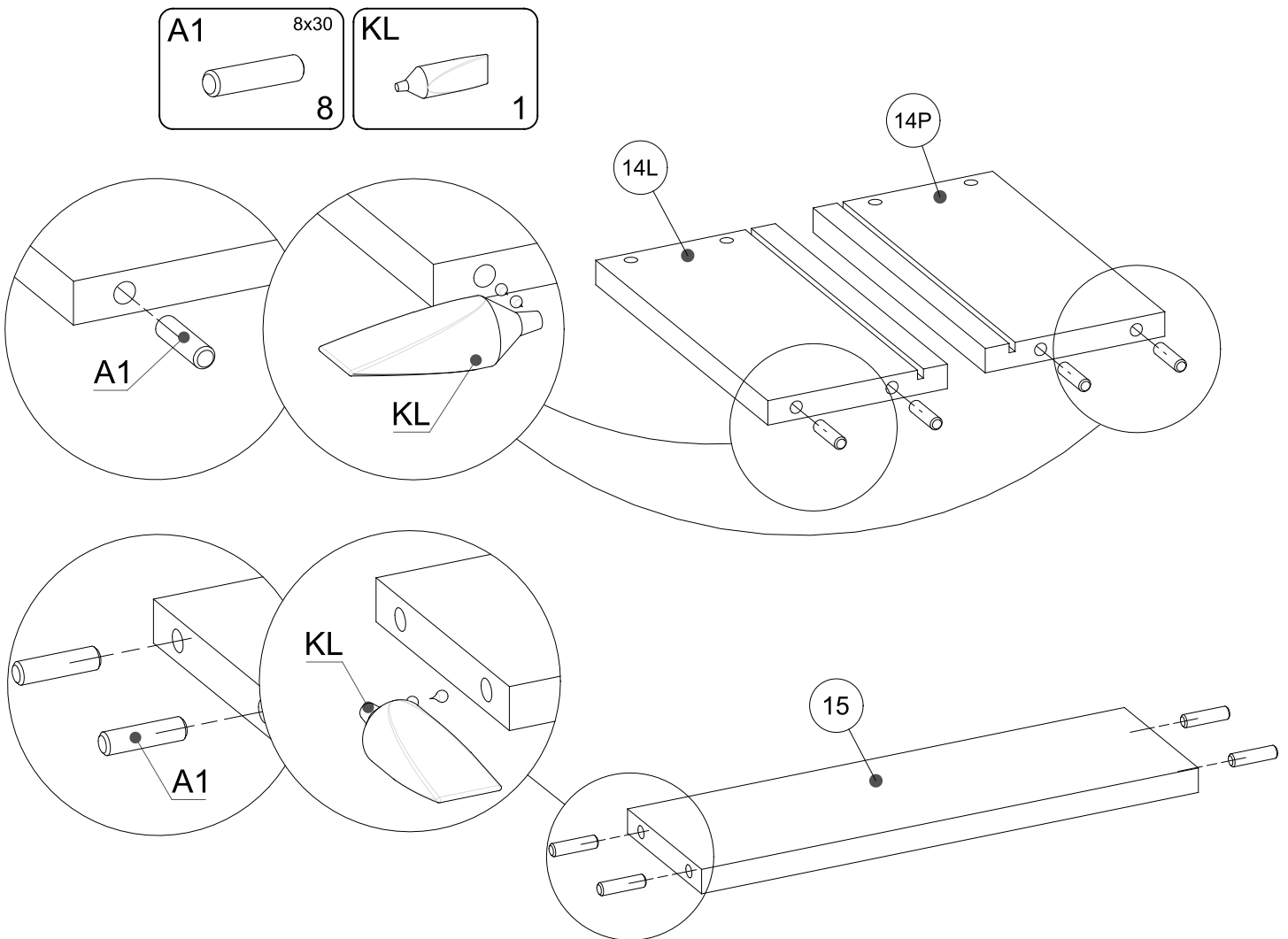
▶ 6



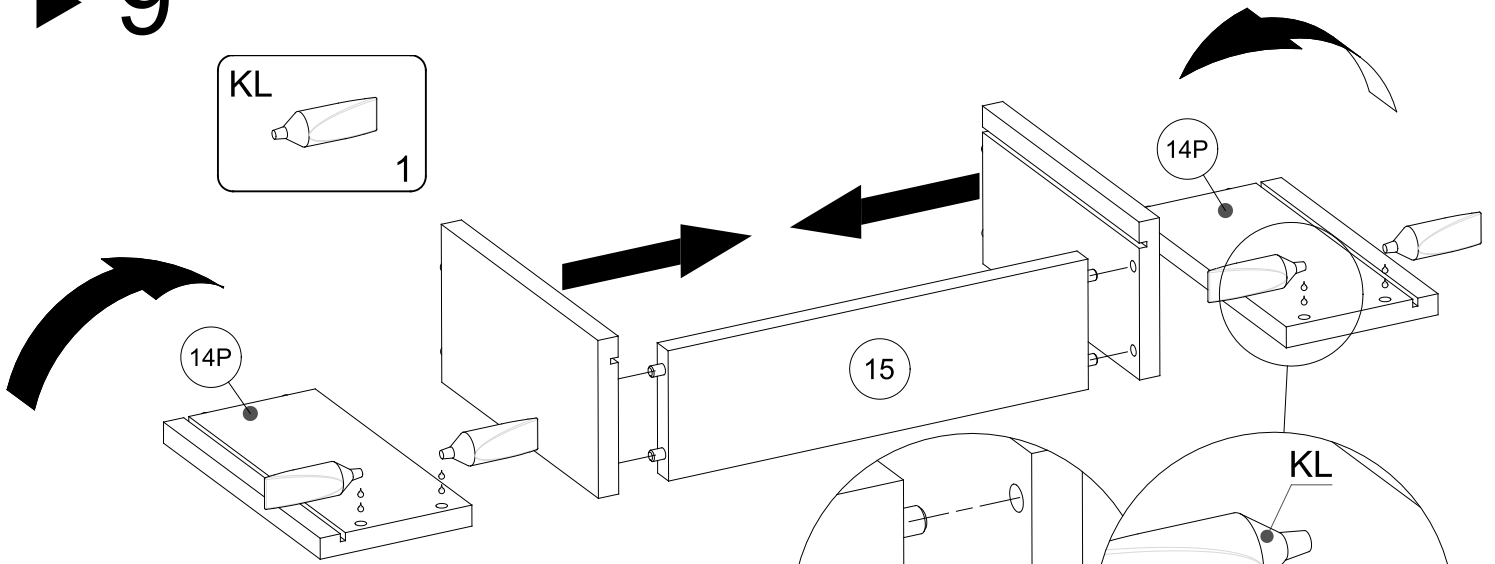
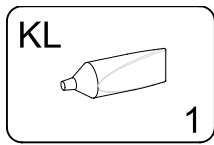
▶ 7



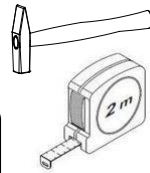
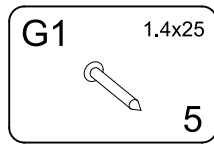
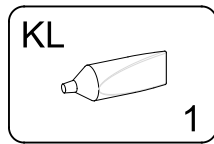
▶ 8



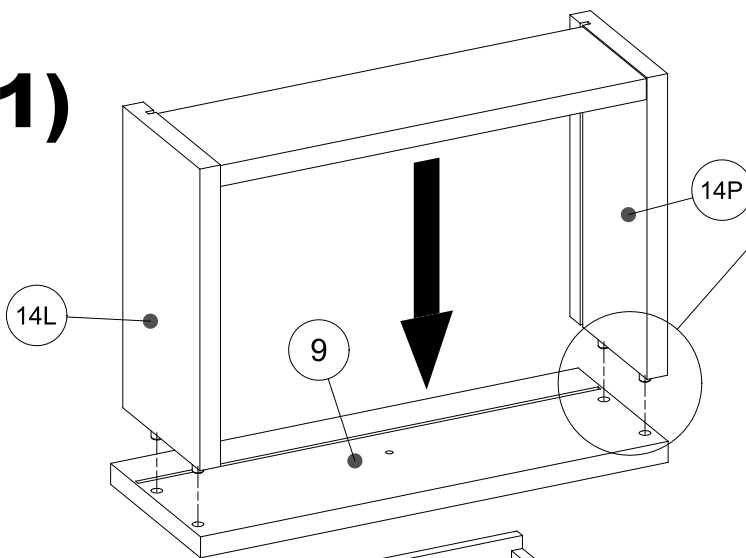
▶ 9



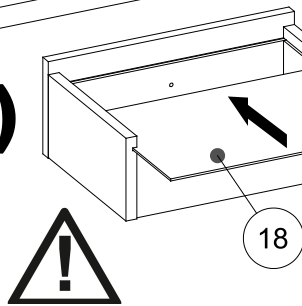
▶ 10



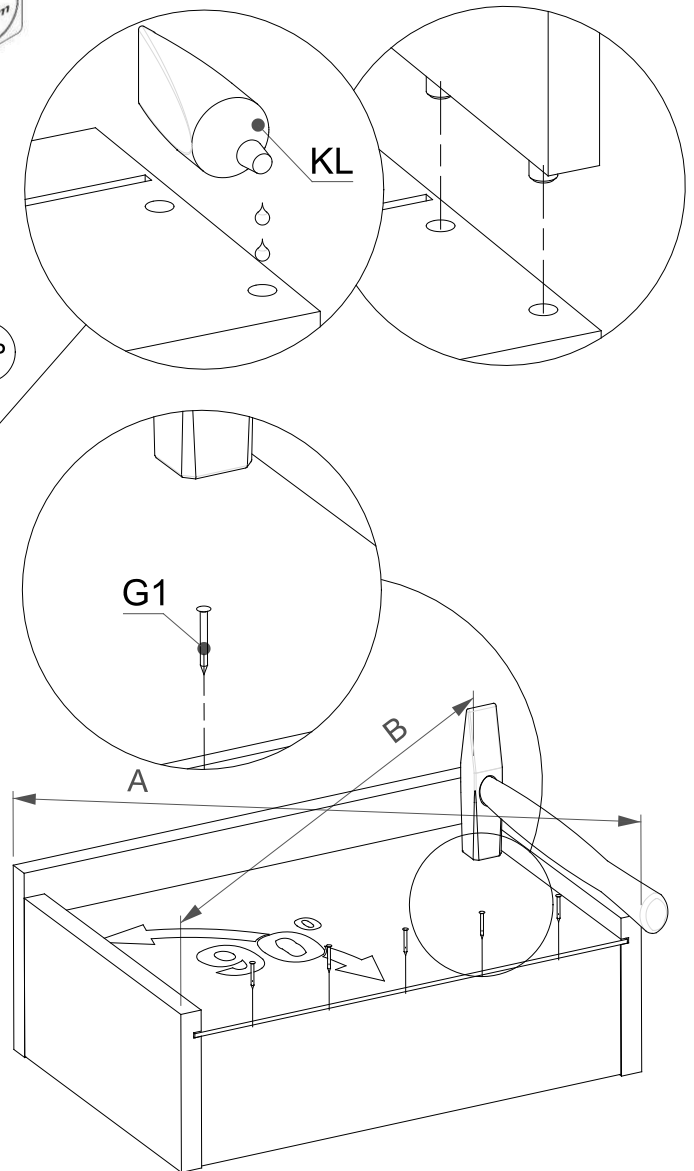
1)



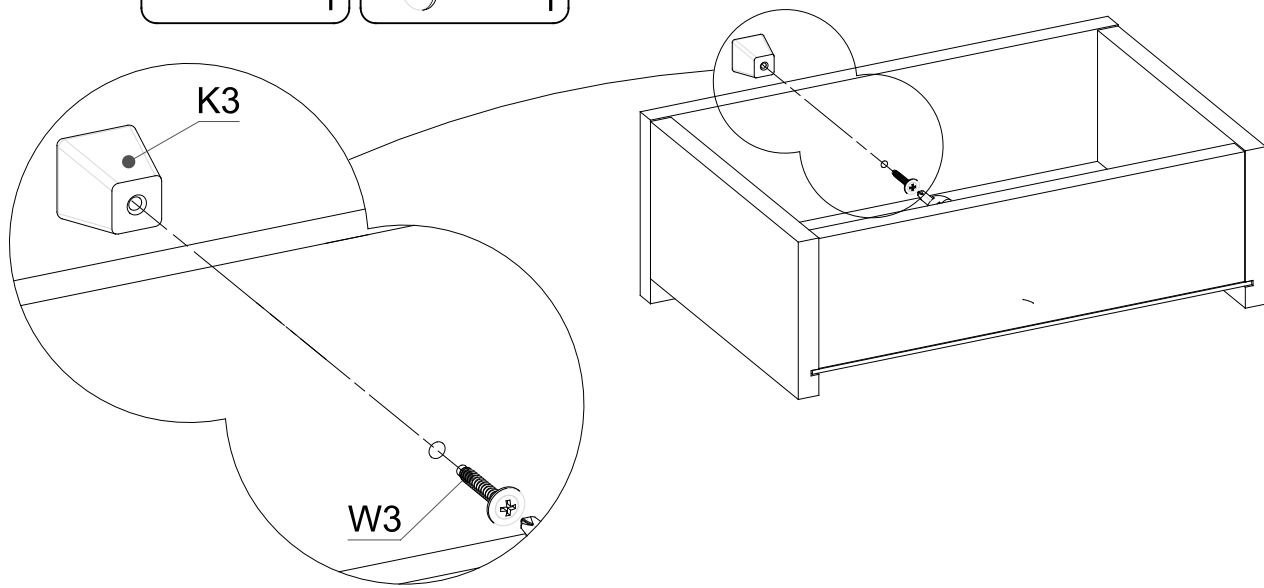
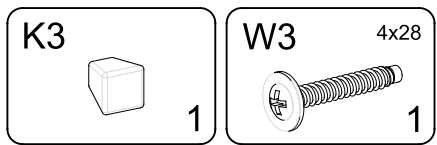
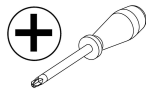
2)



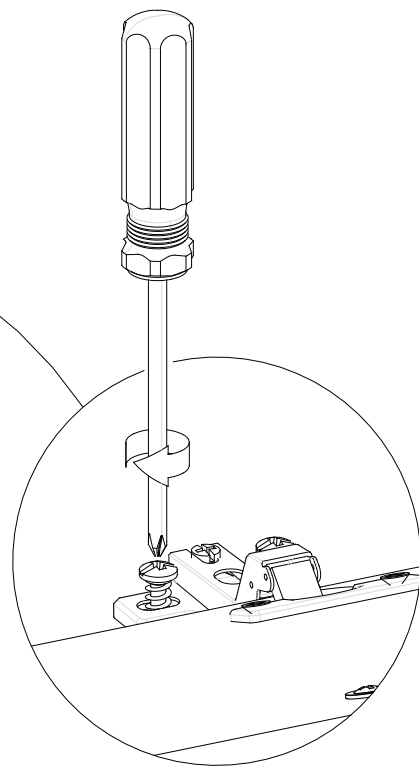
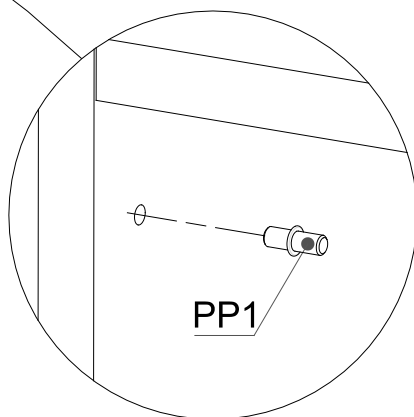
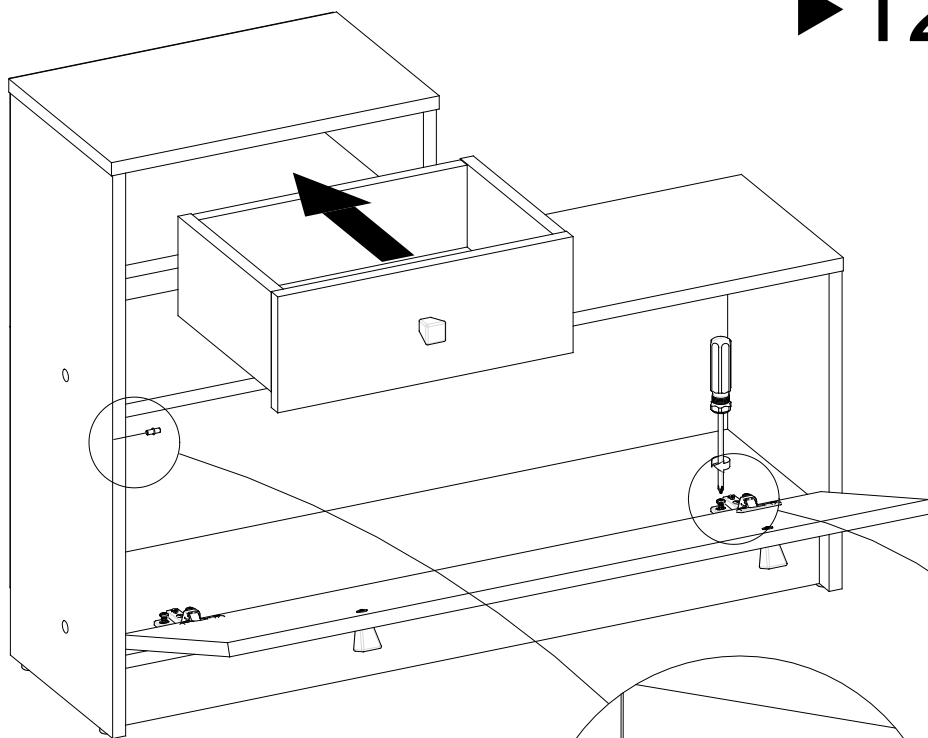
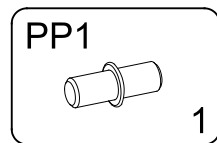
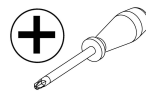
3)



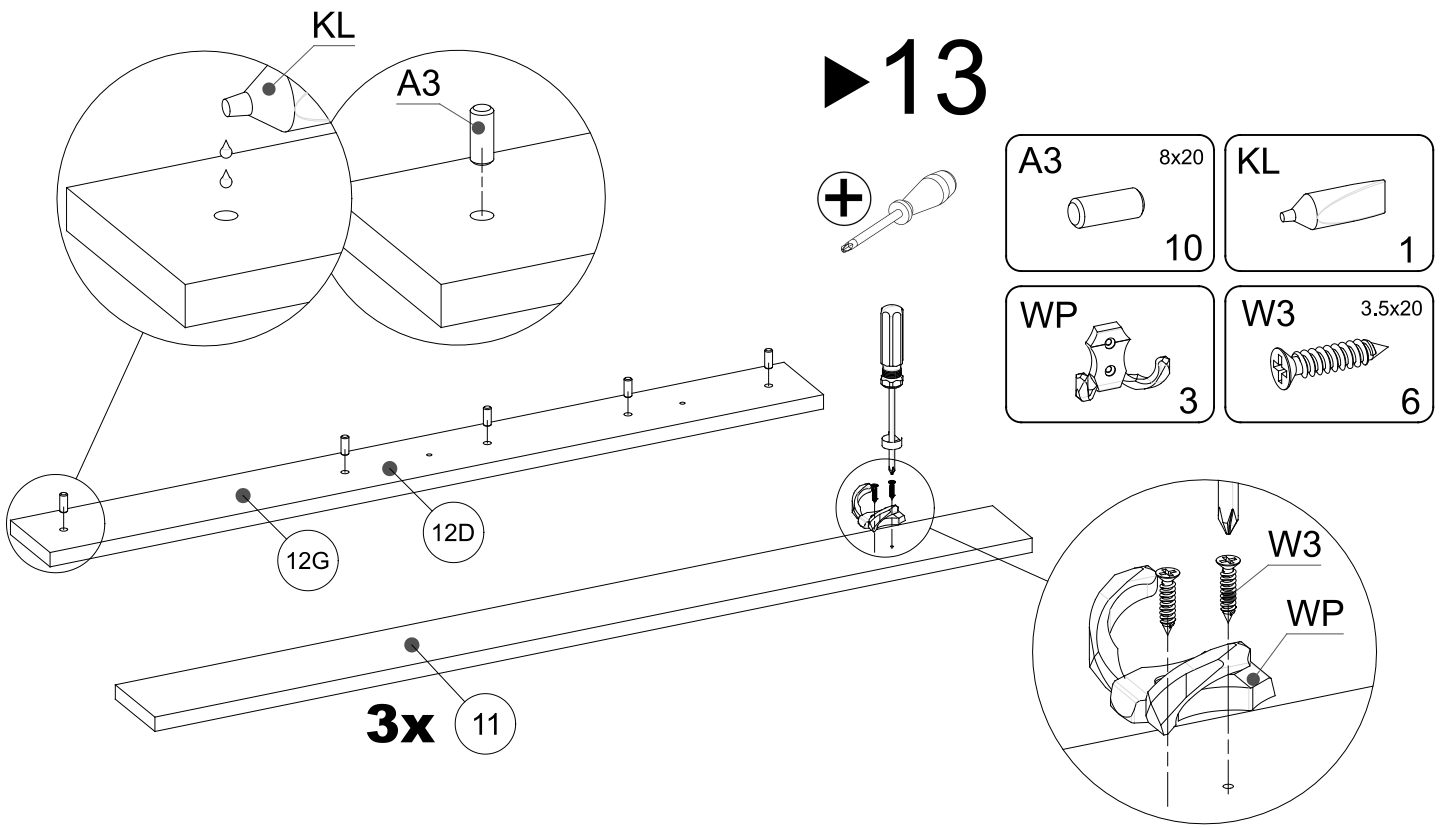
▶ 11



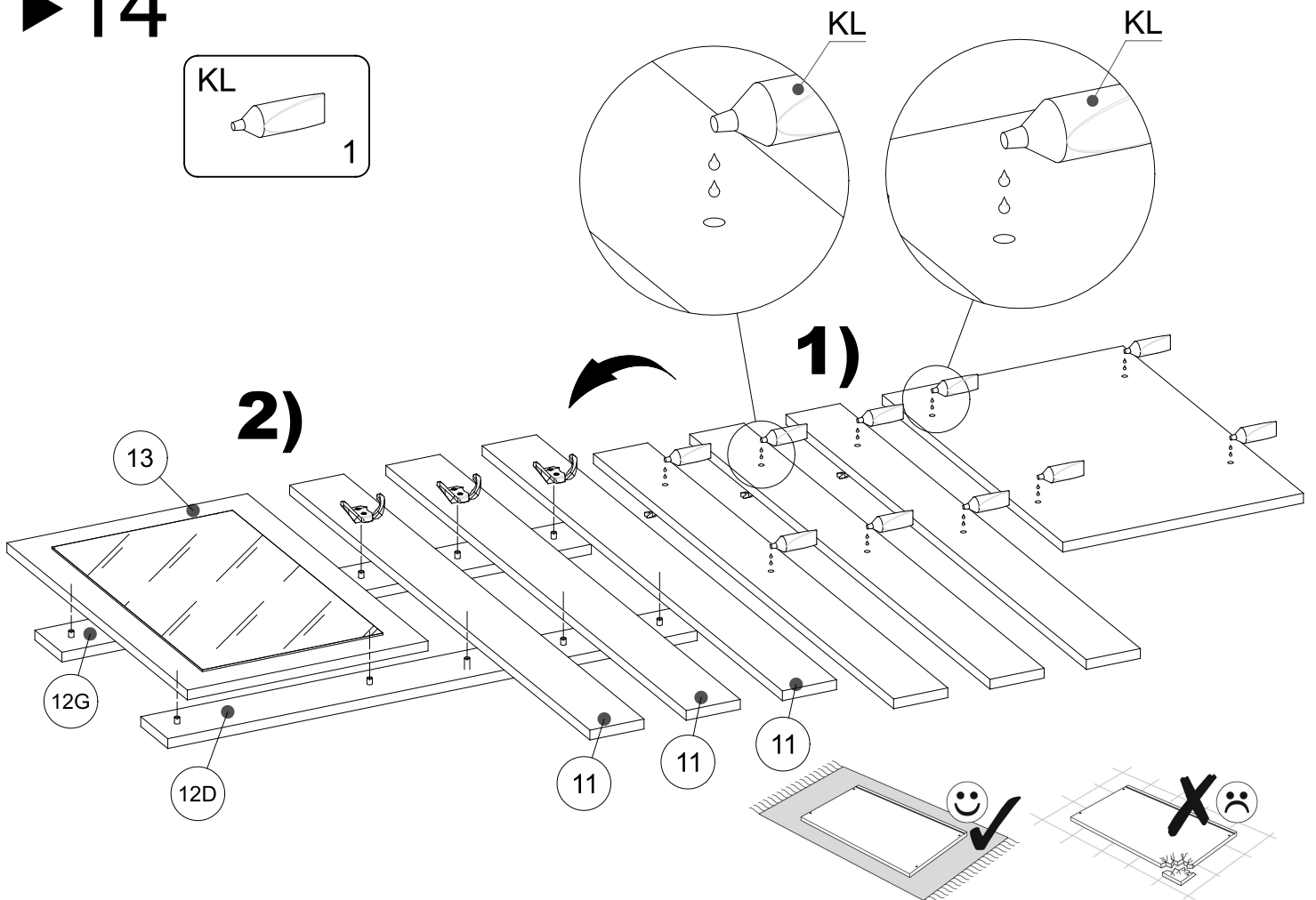
▶ 12



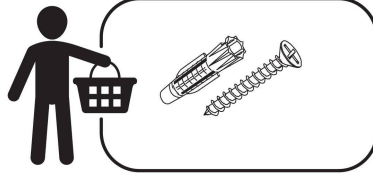
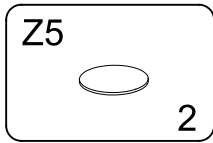
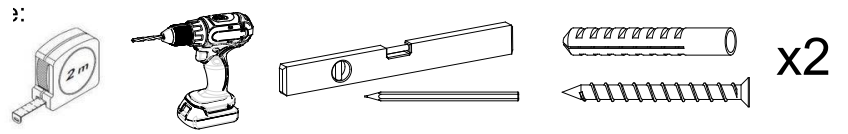
▶ 13



▶ 14



► 15



L = min. 1400mm

