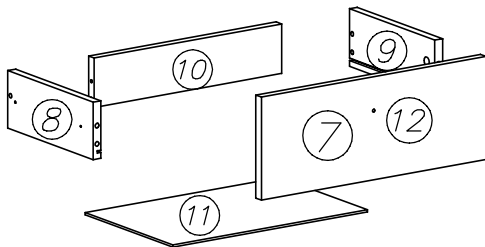
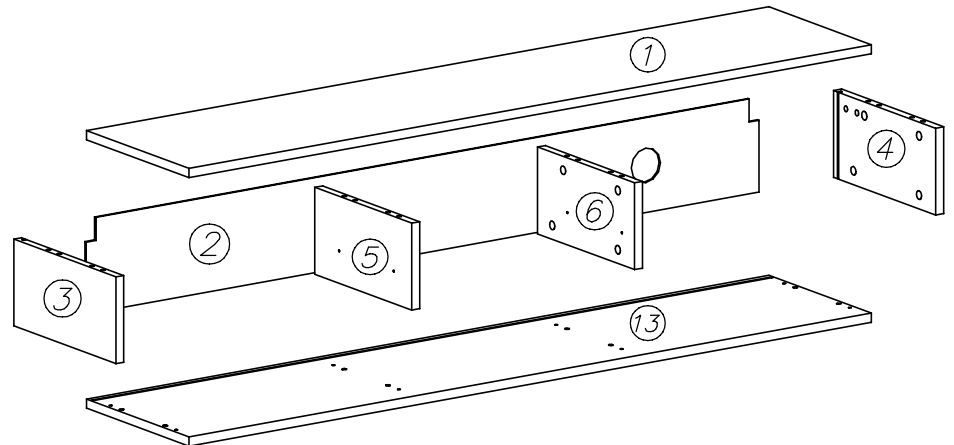
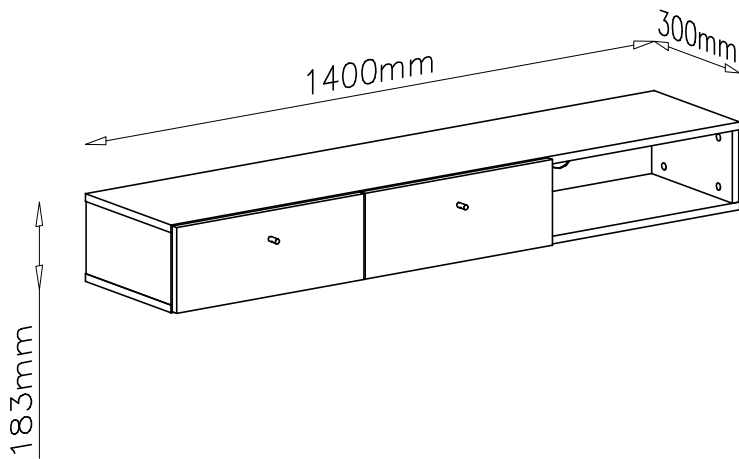


1	1400	300	16	1
2	1378	164	2,5	1
3	151	299	16	1
4	151	299	16	1
5	151	284	16	1
6	151	284	16	1
7	461	179	16	1
8	250	100	16	2
9	250	100	16	2
10	385	86	16	2
11	258	399	2,5	2
12	461	179	16	1
13	1400	300	16	1



I11 ø60 x1		U9R 	x1
N15 M4x25 x2		U9L 	x1
U8 ø10x50 2x		E44 	x2
K5 	x20	K1 	x20

B1 ø8x30 x24	
--------------------	--

W2 4mm x1	
-----------------	--

U7S 2x	
-----------	--

G22 3x16 x24	
--------------------	--

A1 ø7x50 x4	
-------------------	--

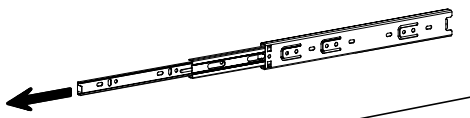
H23 H30-250mm x2	
------------------------	--

I1 10x ø18 x20	
-------------------------	--

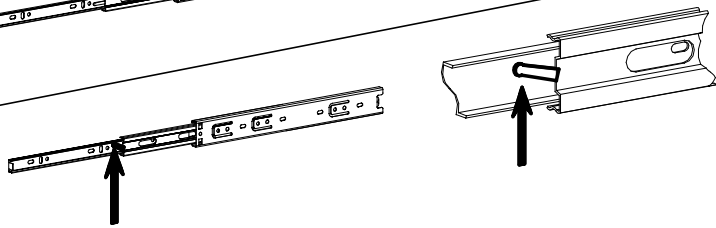
I7 ø18 x20	
------------------	--

H30-250mm x2	
-----------------	--

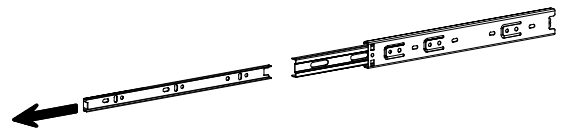
A



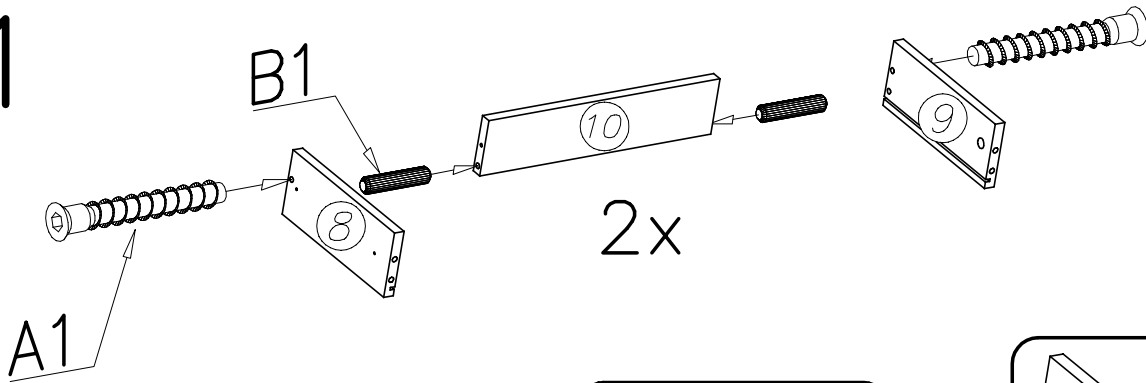
B



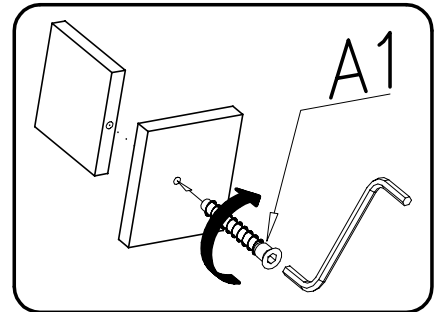
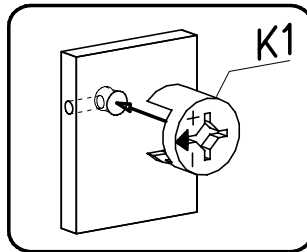
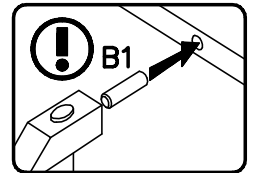
C



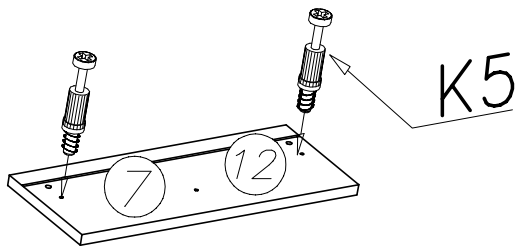
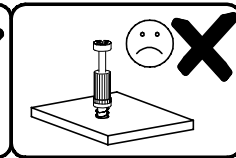
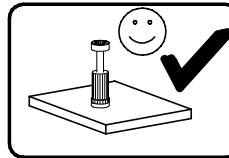
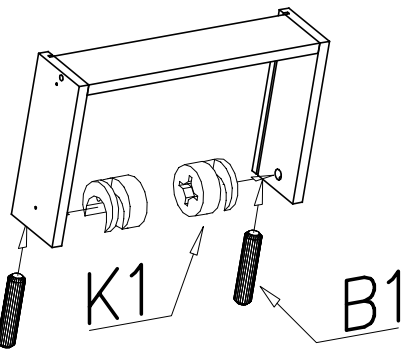
1



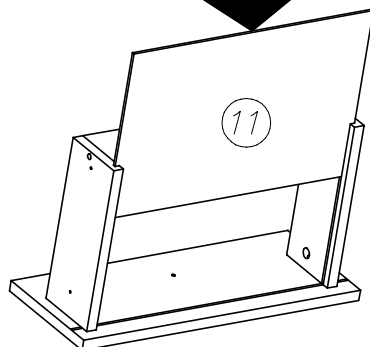
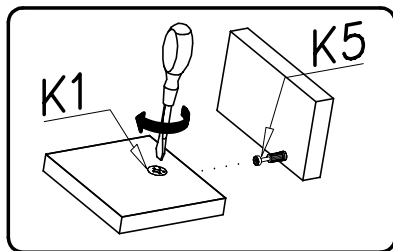
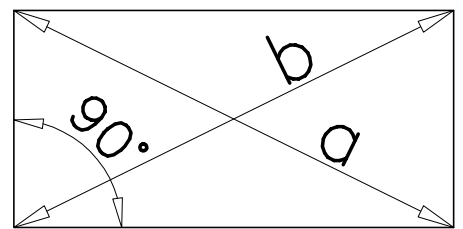
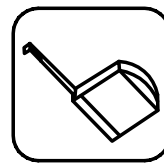
2x



2x

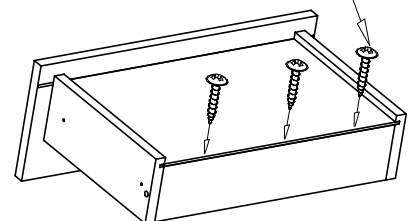


a = b



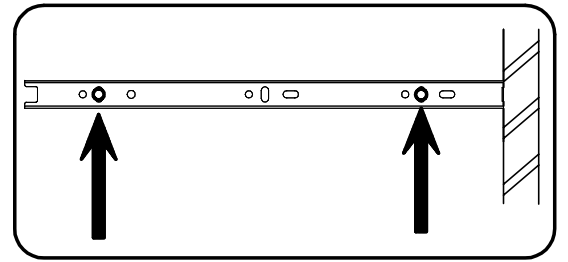
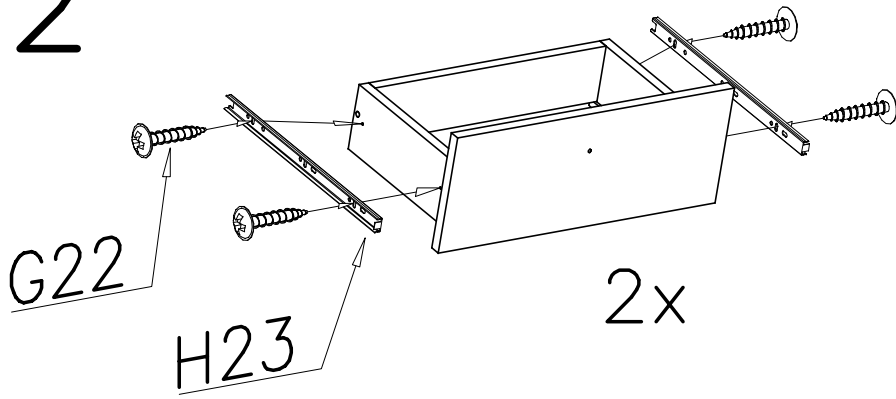
2x

G22

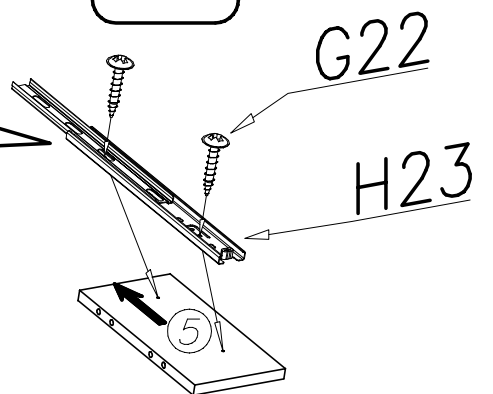
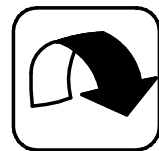
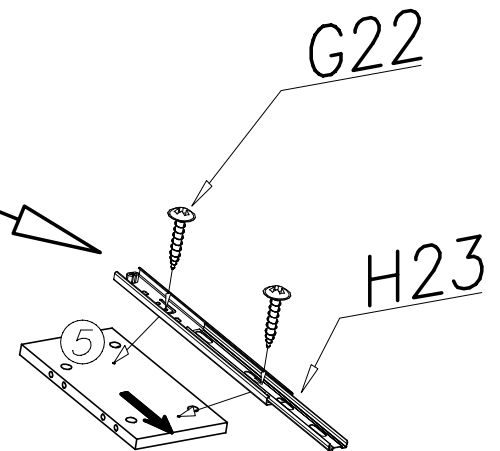
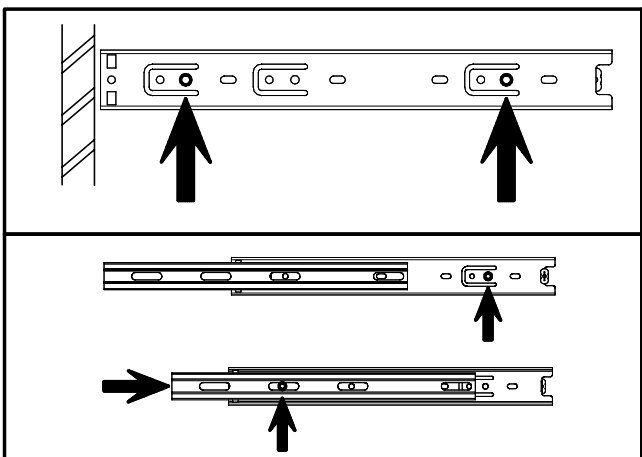
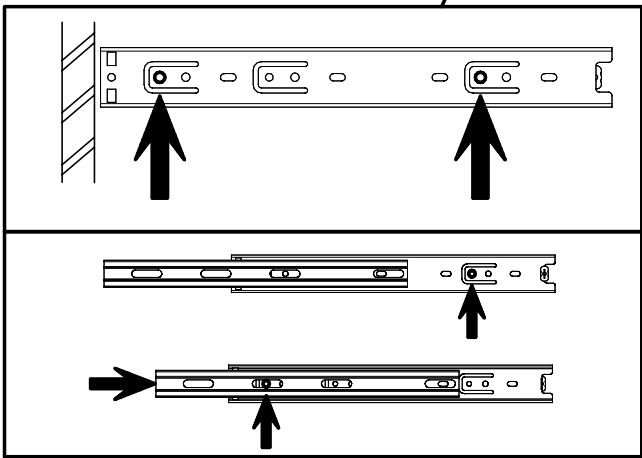
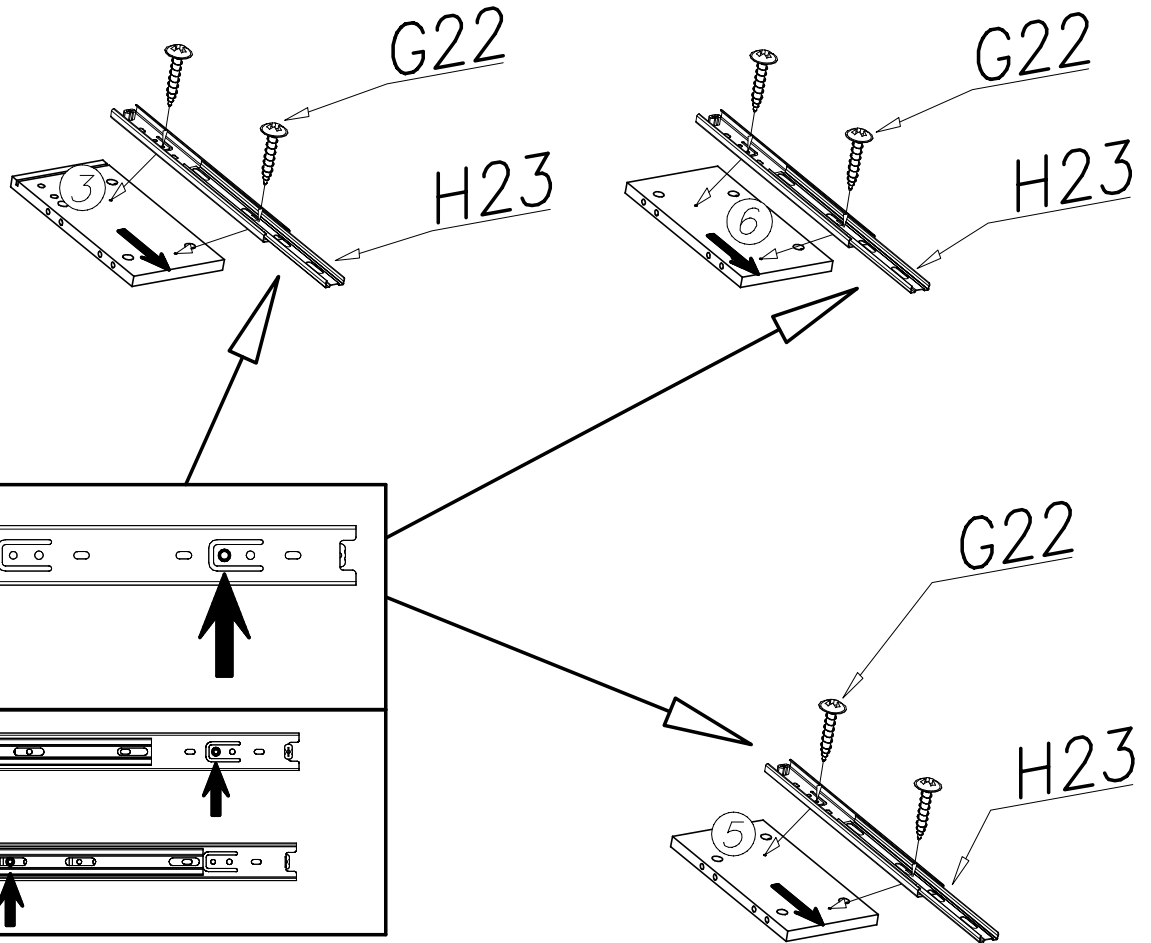


2x

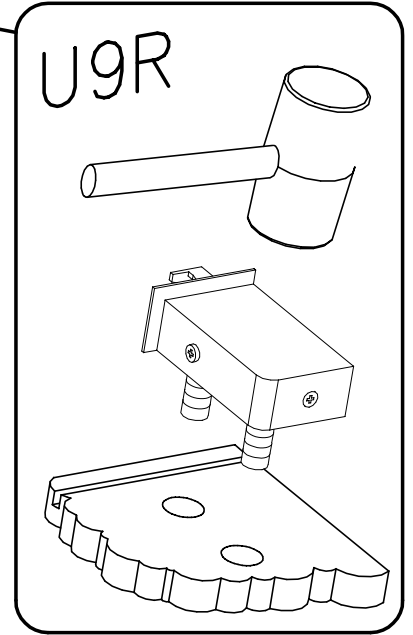
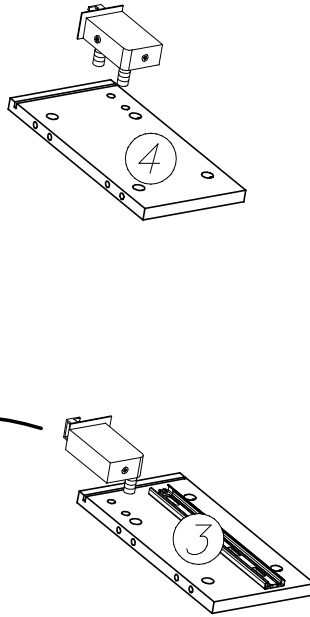
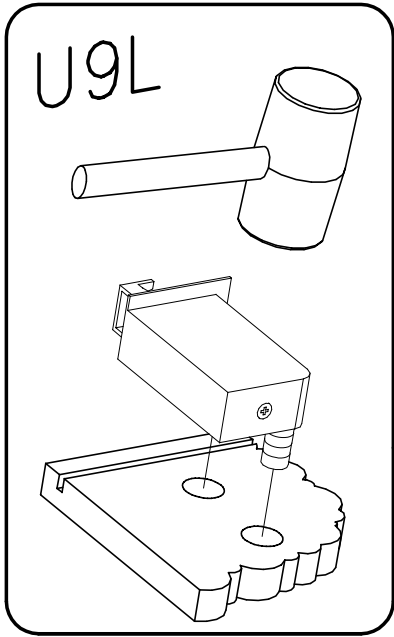
2



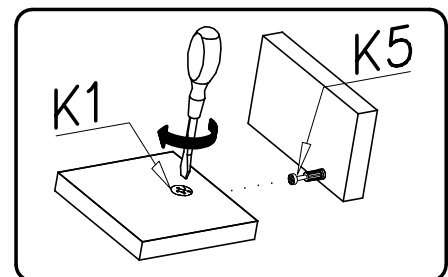
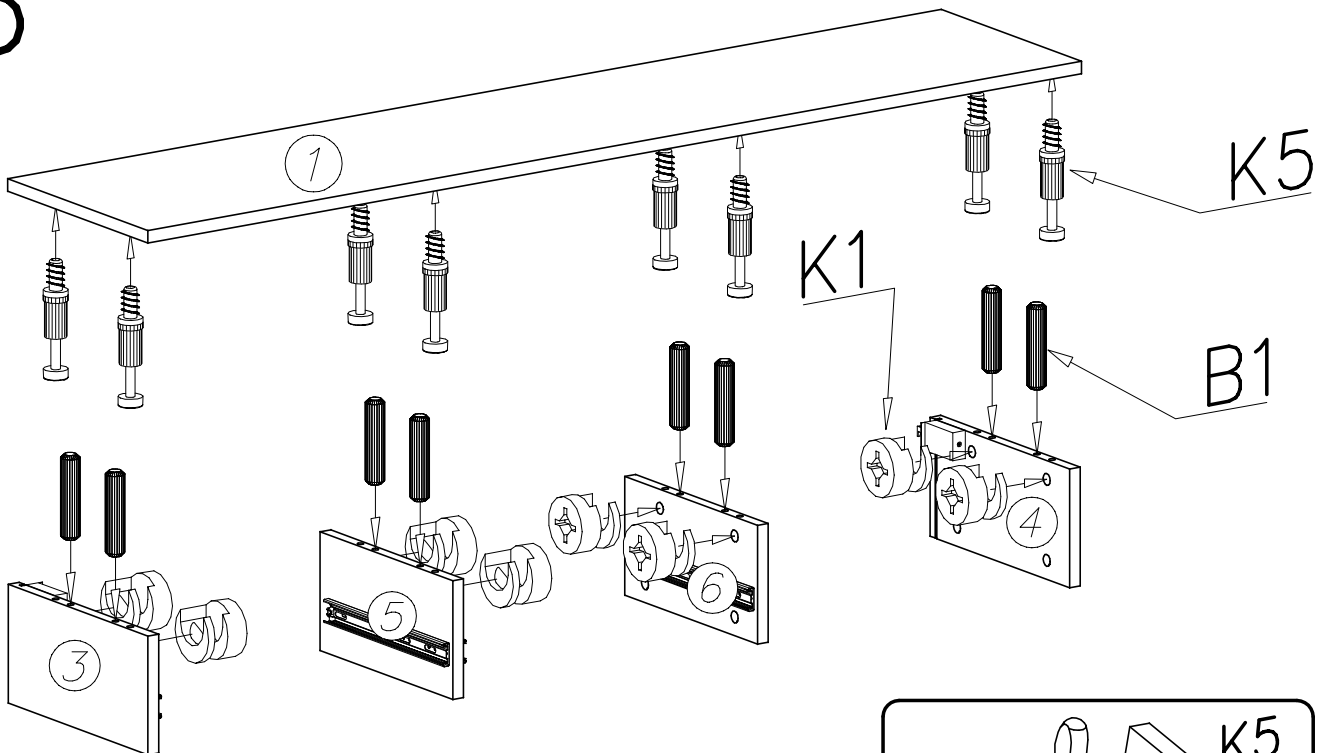
3



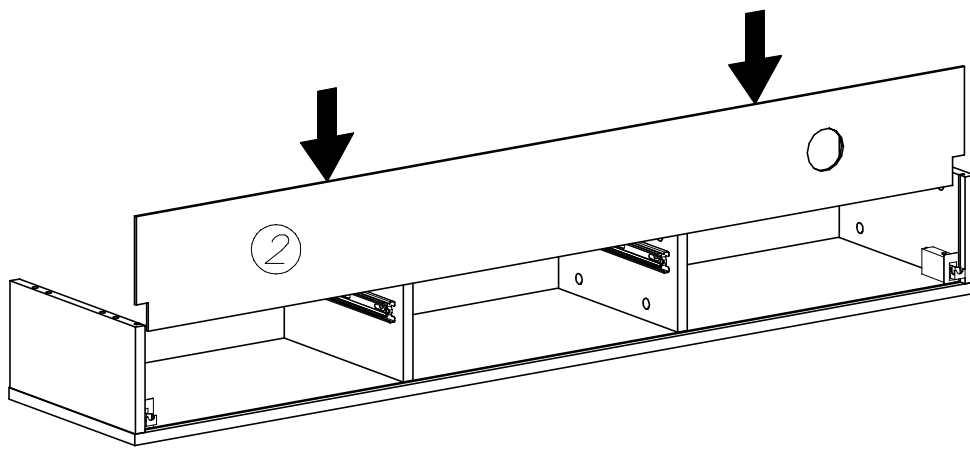
4



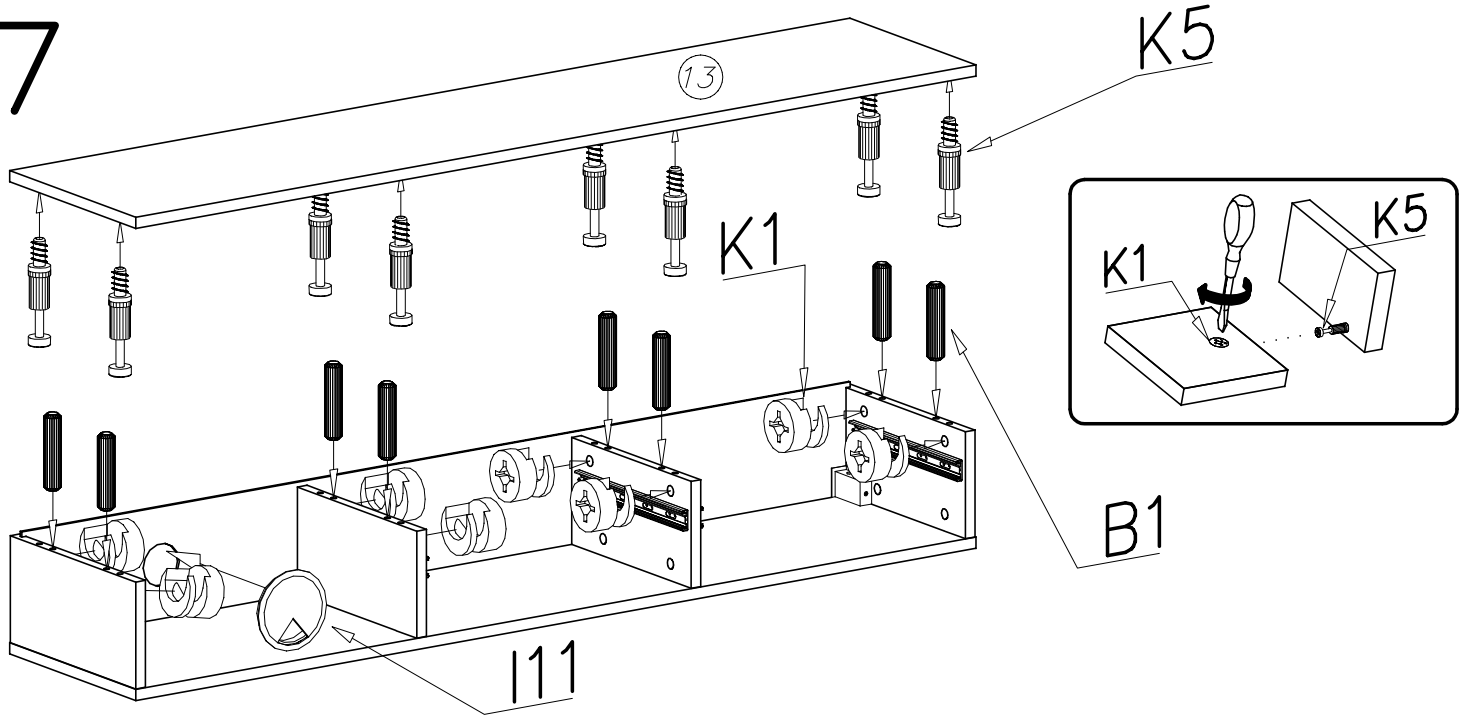
5



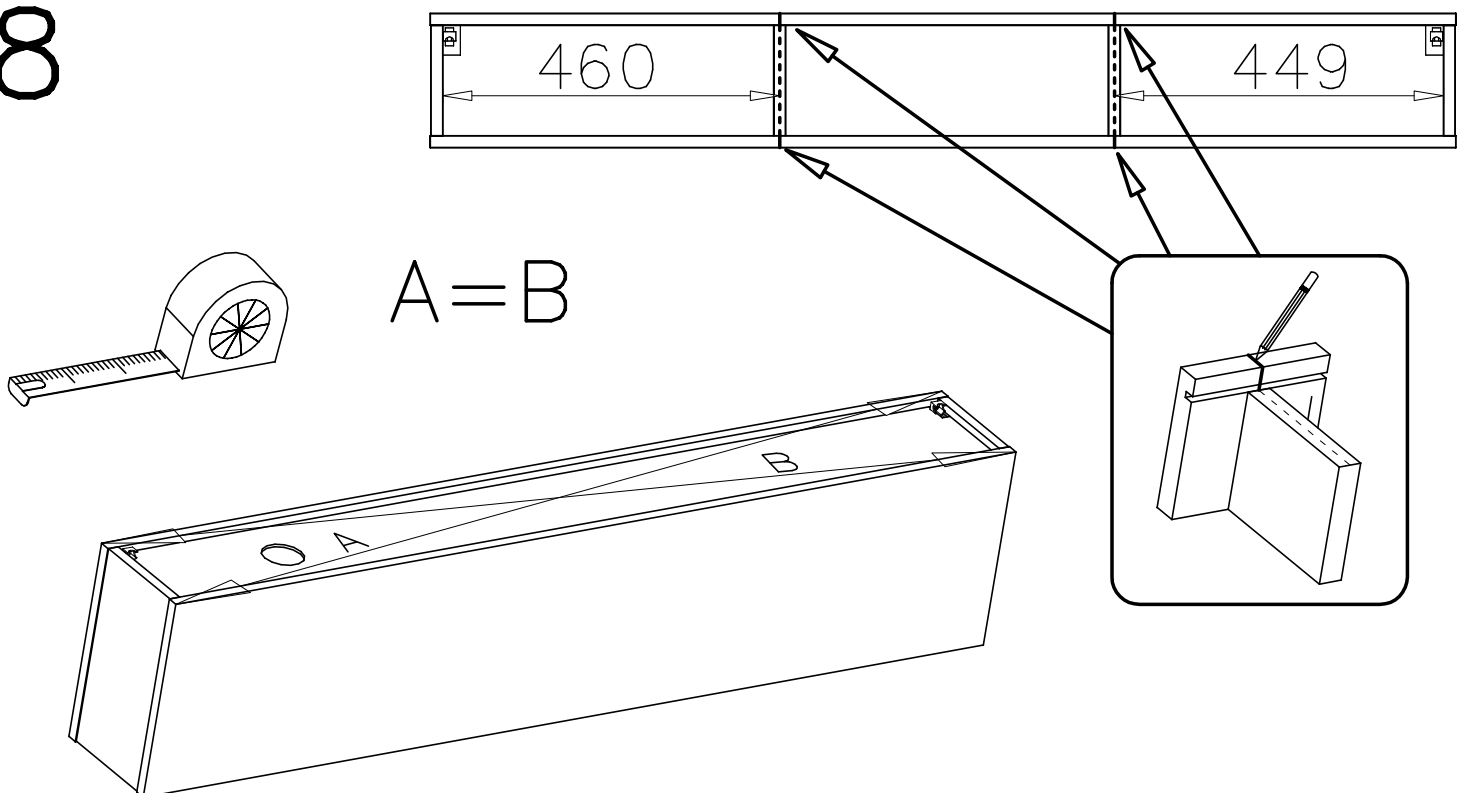
6



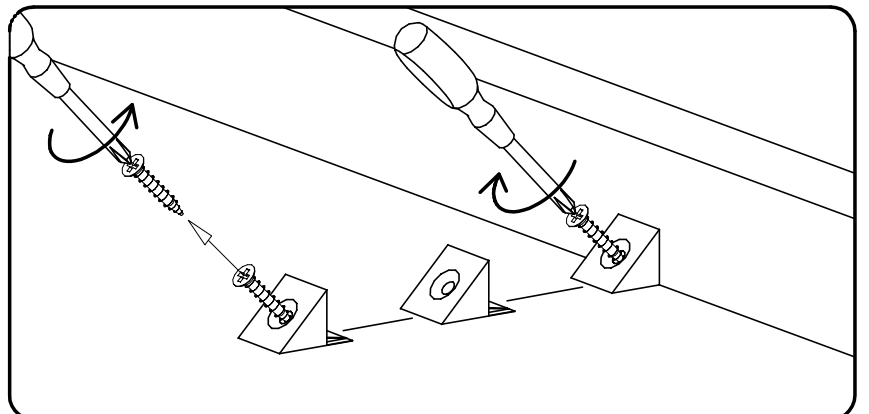
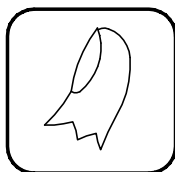
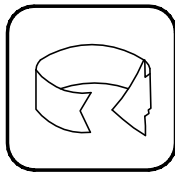
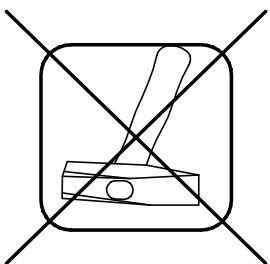
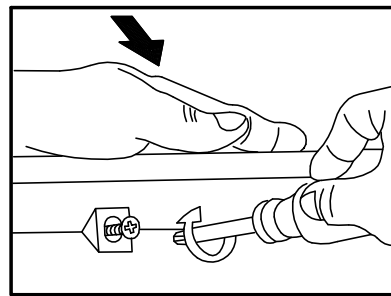
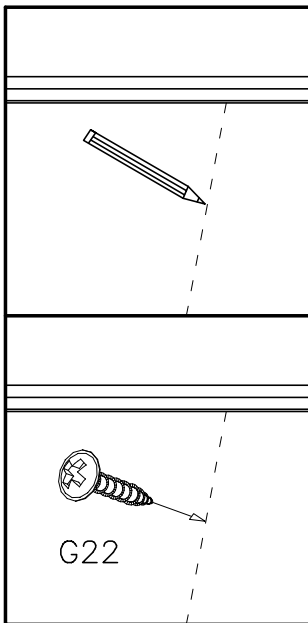
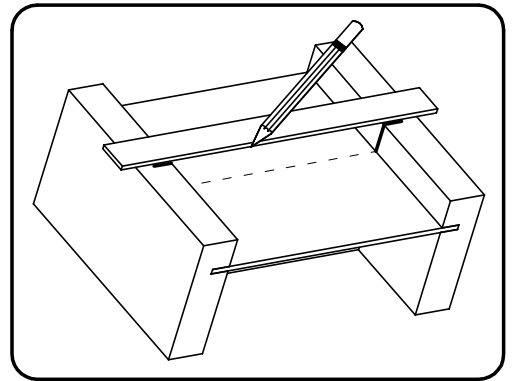
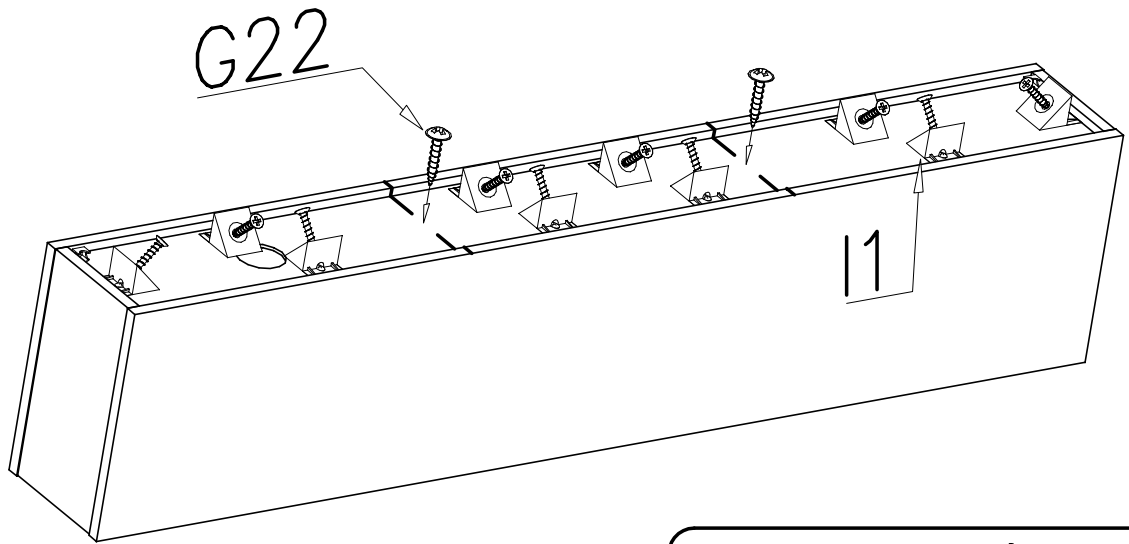
7



8

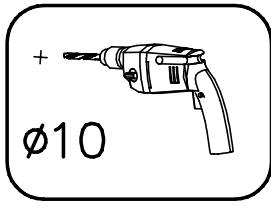


9

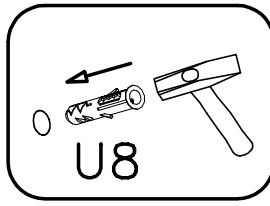


# 10

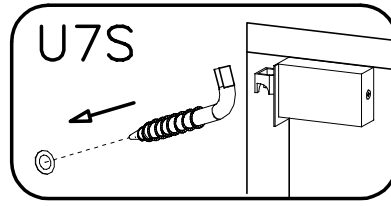
1



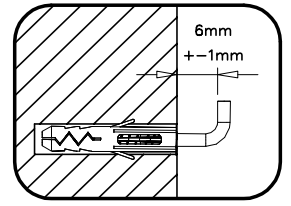
2



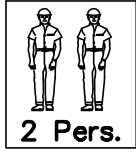
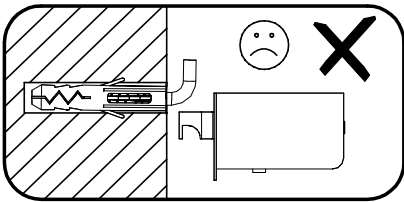
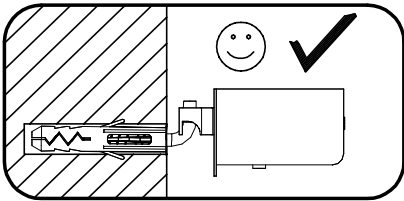
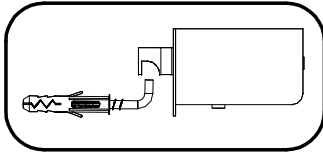
3



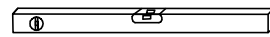
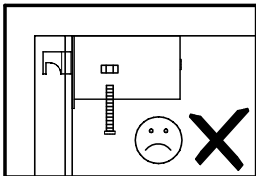
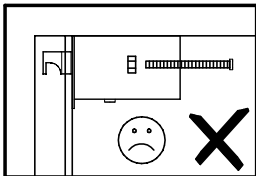
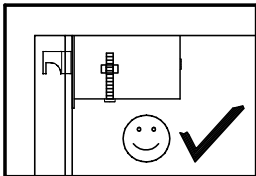
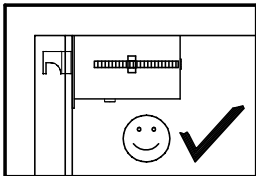
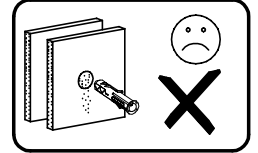
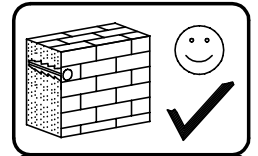
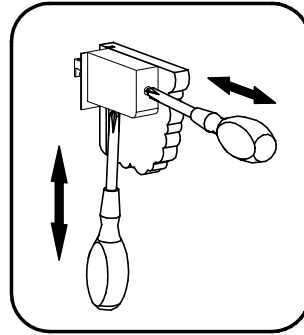
4



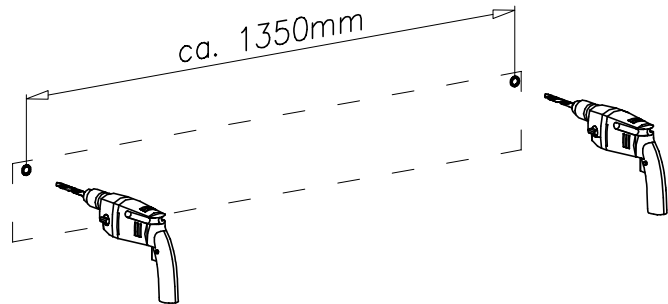
5



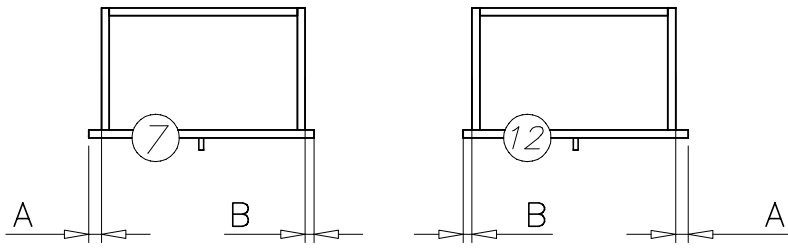
6



ca. 1350mm



# 11



$A \neq B$   
 $A > B$

$B \neq A$   
 $B < A$

