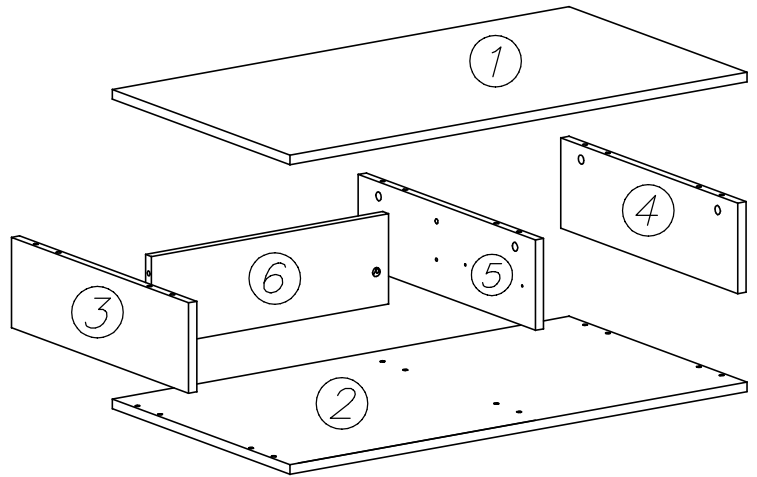
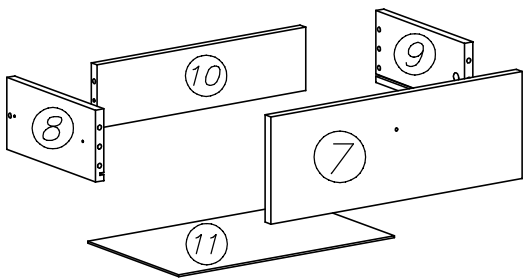

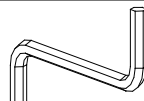
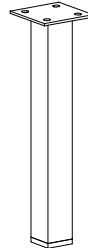



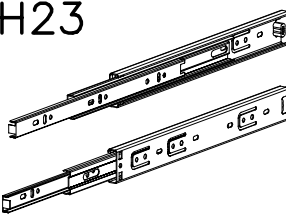



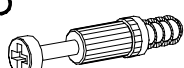
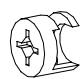
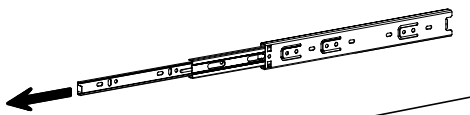


1	900	500	16	1
2	900	500	16	1
3	151	498	16	1
4	151	498	16	1
5	151	498	16	1
6	467	151	16	1
7	495	179	16	1
8	250	120	16	1
9	250	120	16	1
10	411	106	16	1
11	258	425	2,5	1

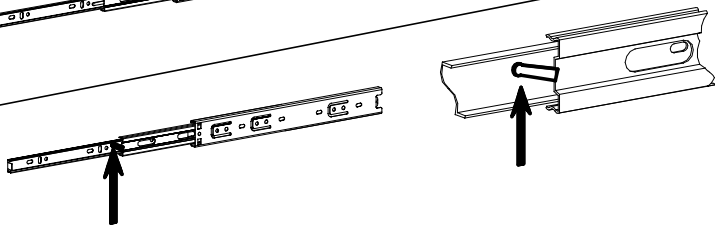


	<b>B1</b>  $\varnothing 8 \times 30$ x22	<b>W2</b>  4mm x1	<b>P4</b>  x4	<b>N15</b>  M4x25 x1
<b>G22</b>  3x16 x12	<b>A1</b>  $\varnothing 7 \times 50$ x8	<b>H23</b>  H30-250mm x1	<b>E44</b>  x1	
<b>G50</b>  6x13 x16	<b>I7</b>  $\varnothing 18$ x10		<b>K5</b>  x10	<b>K1</b>  $\varnothing 15 \times 12$ x10

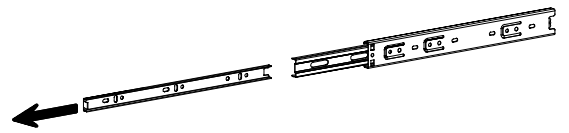
A



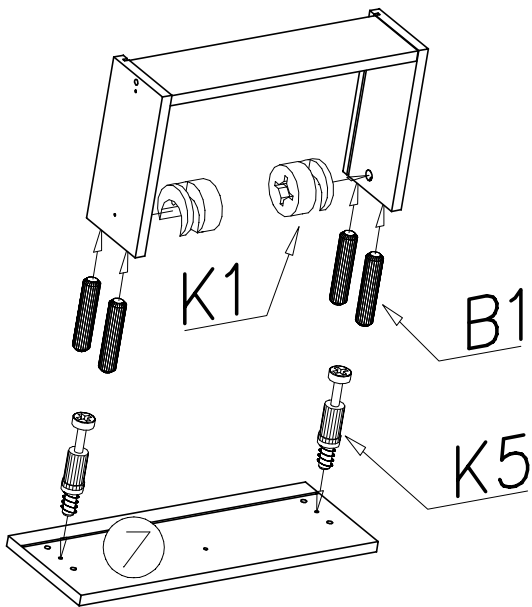
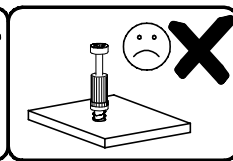
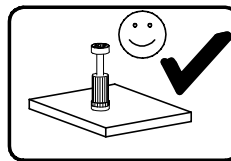
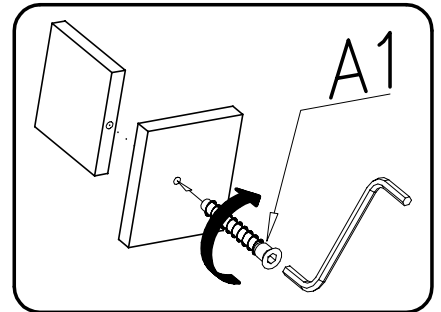
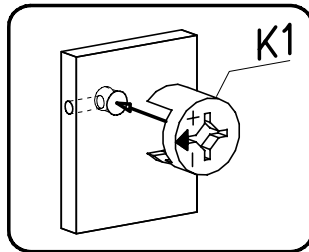
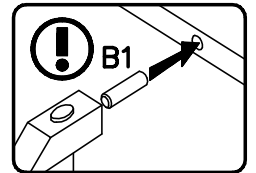
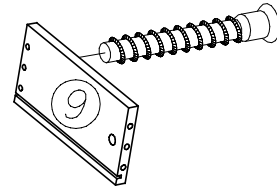
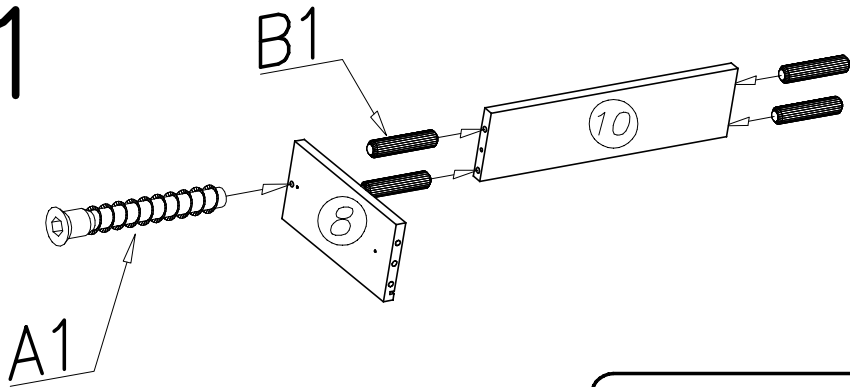
B



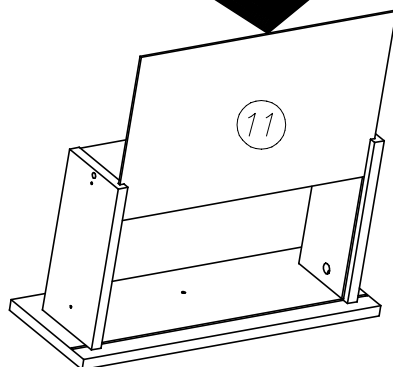
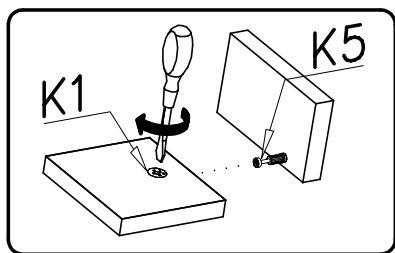
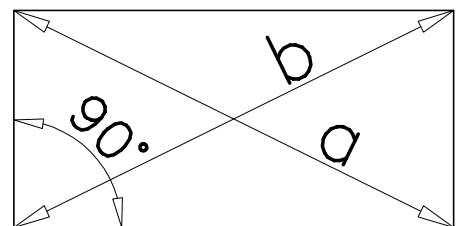
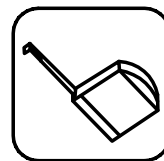
C



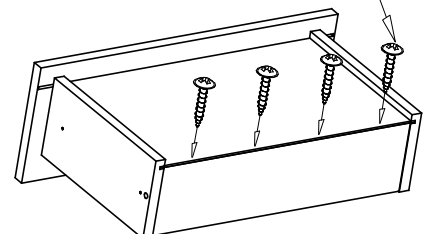
1



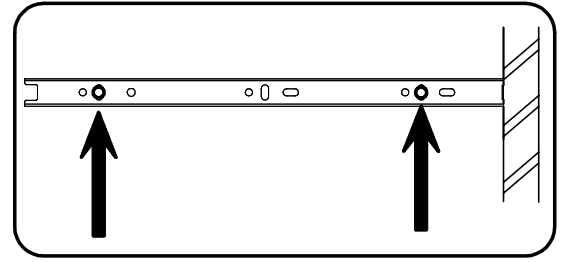
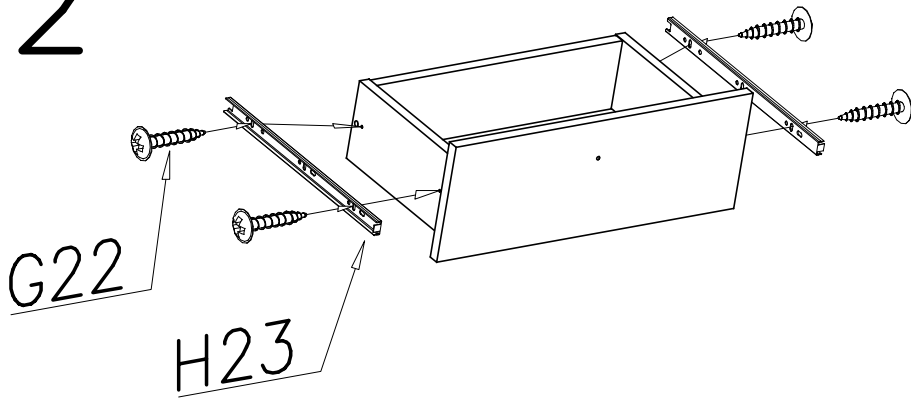
a = b



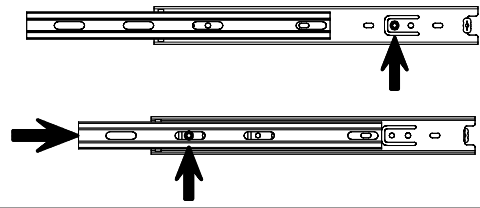
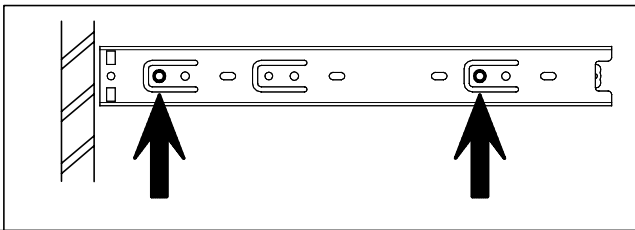
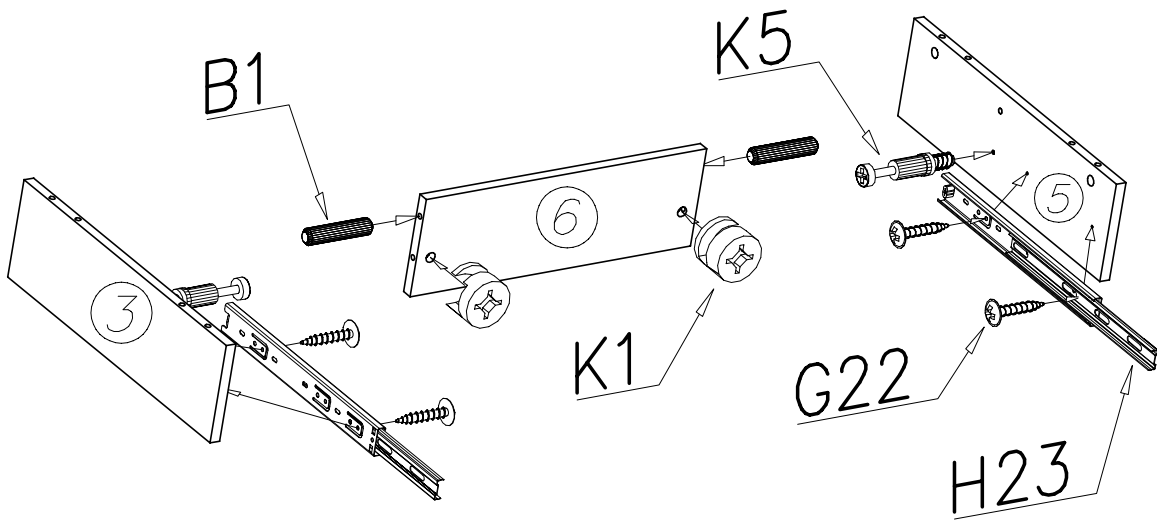
G22



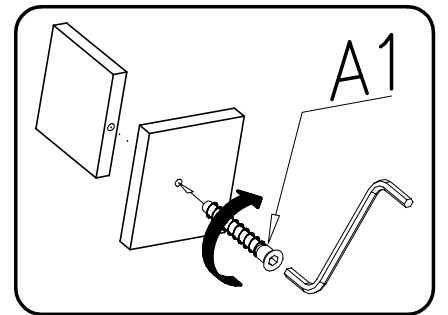
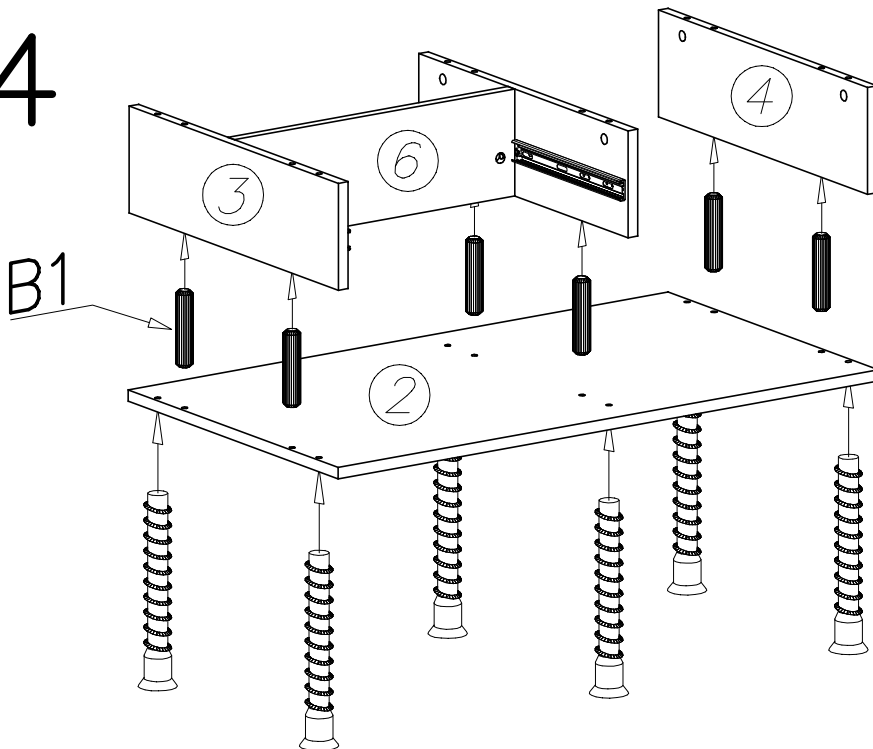
2



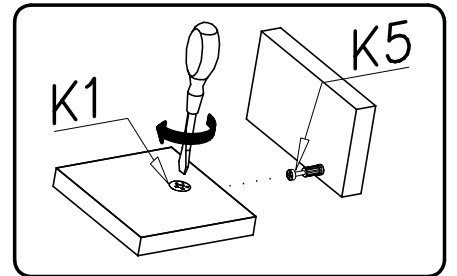
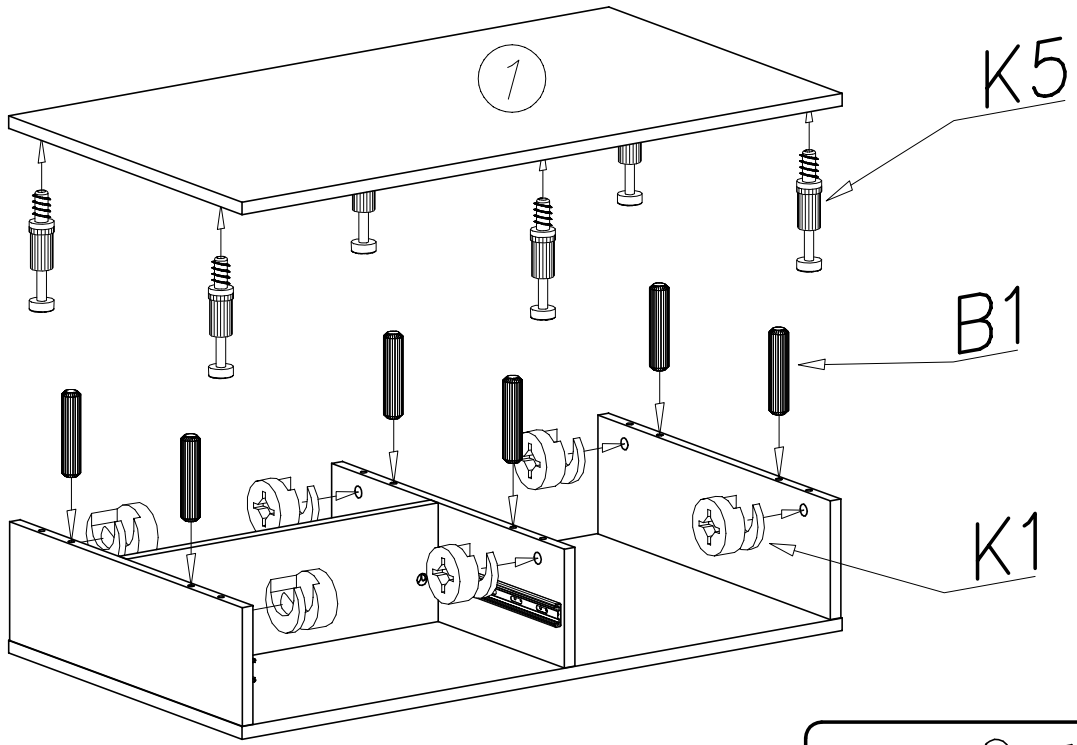
3



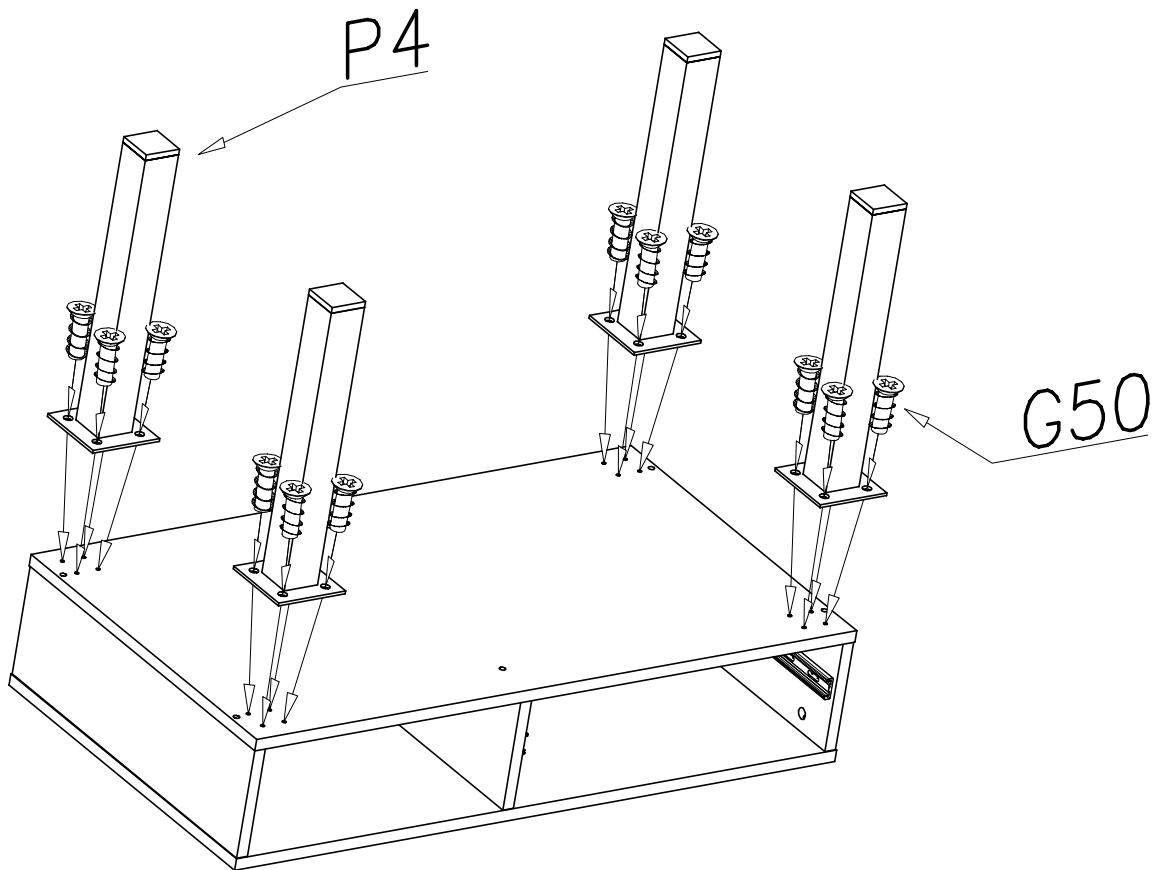
4



5



6



7

