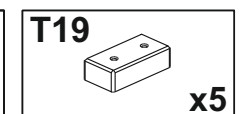
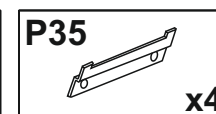
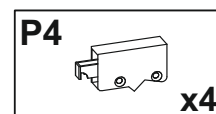
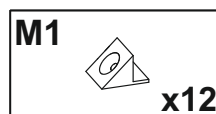
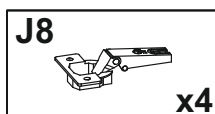
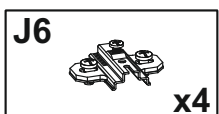
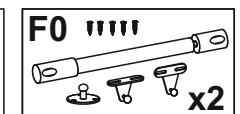
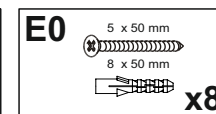
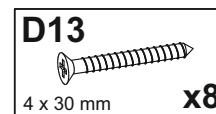
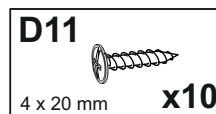
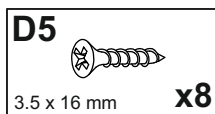
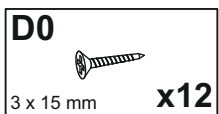
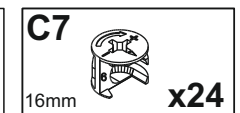
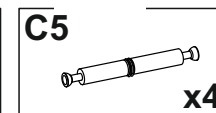
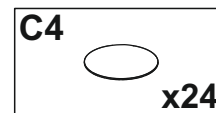
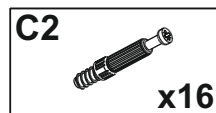
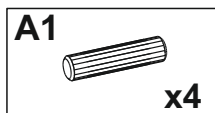
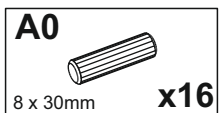
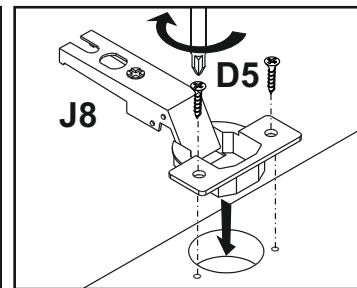
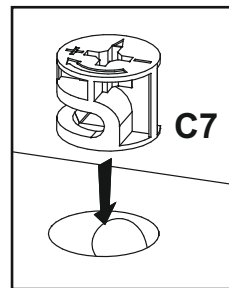
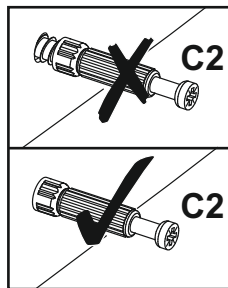
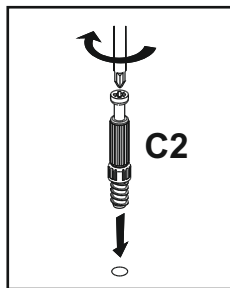
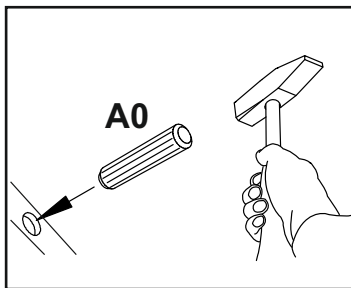
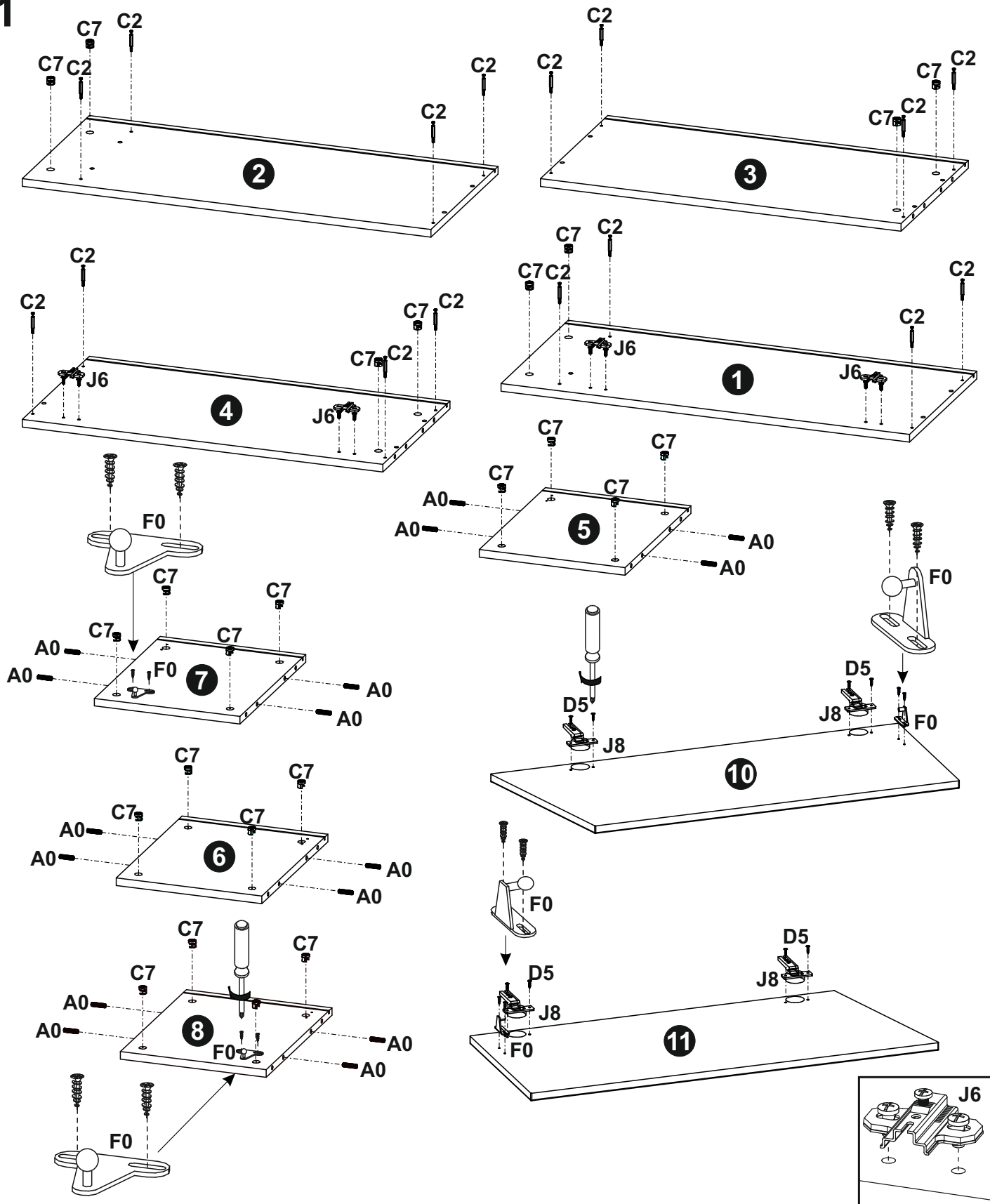


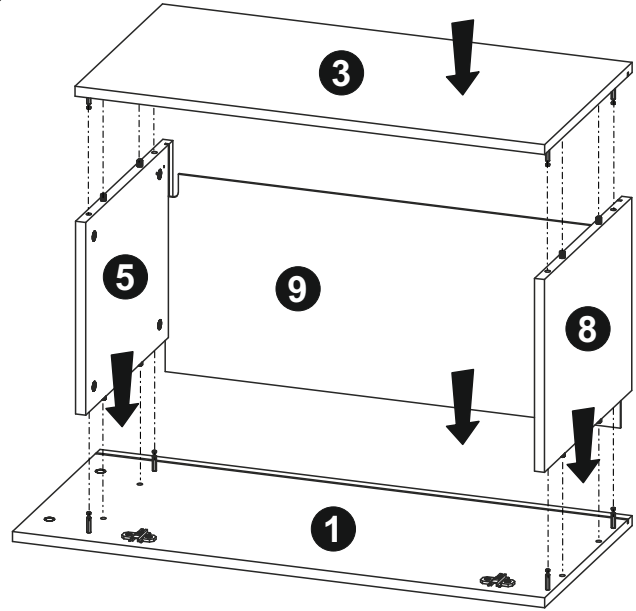
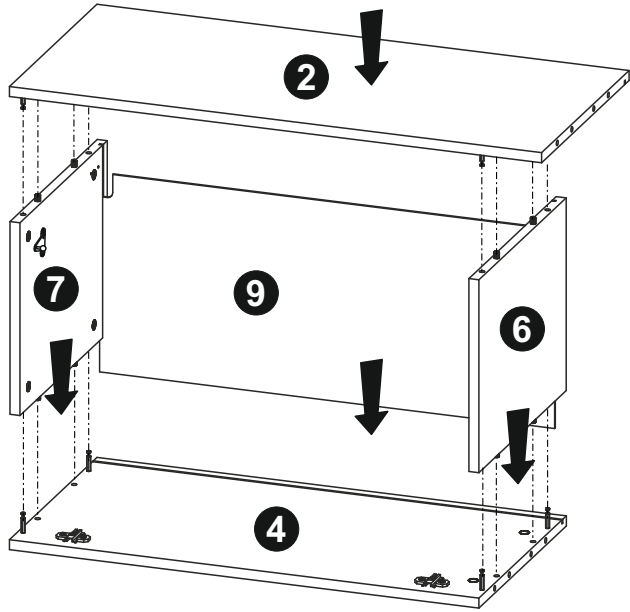
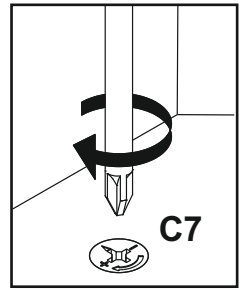
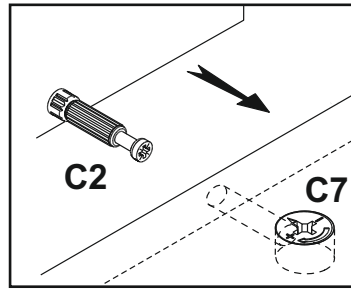
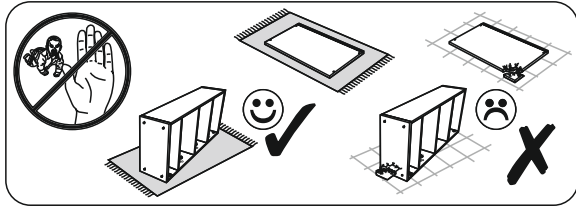
1,2	850x384	2
3,4	750x384	2
5,6	308x383	2
7,8	308x383	2
9	727x318	2
10,11	840x346	2



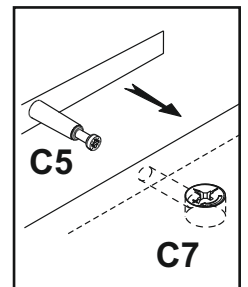
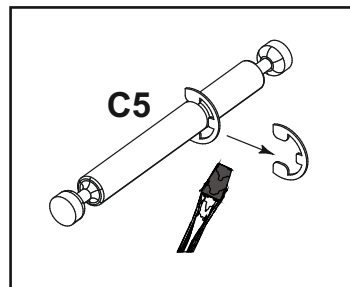
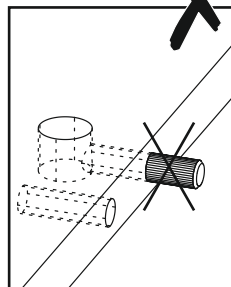
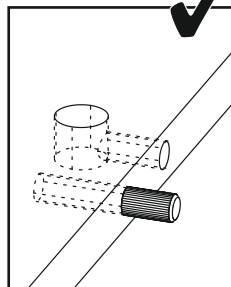
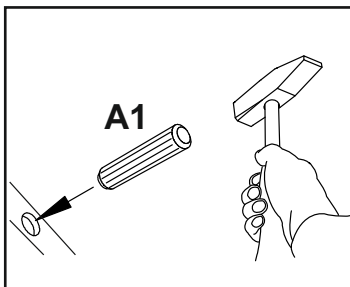
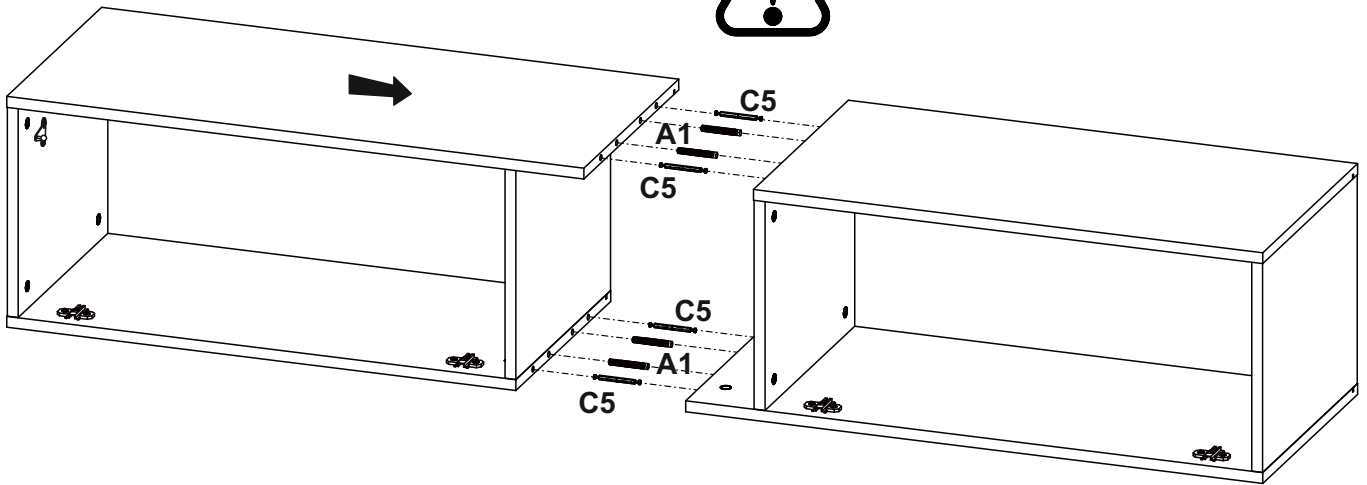
1



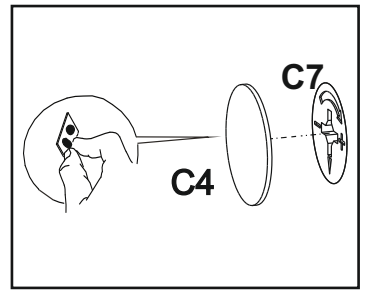
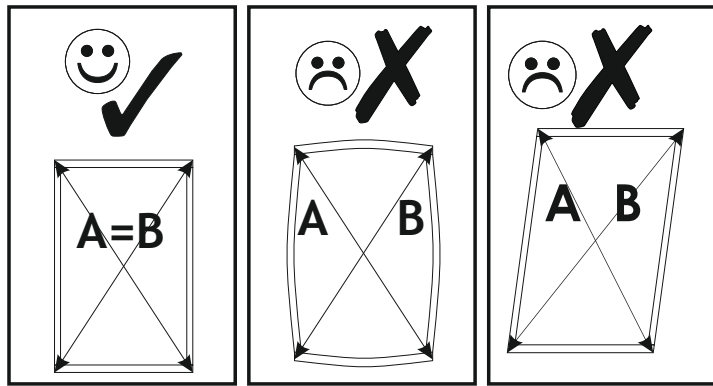
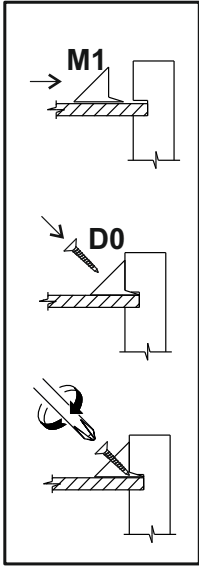
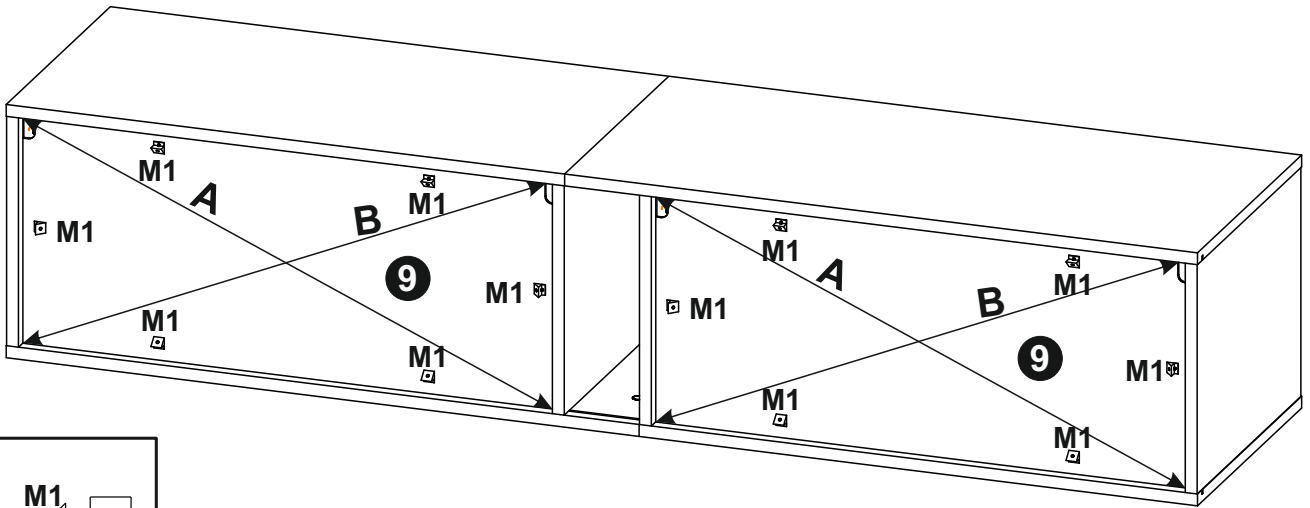
2



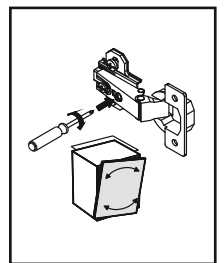
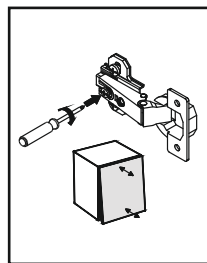
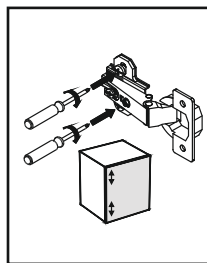
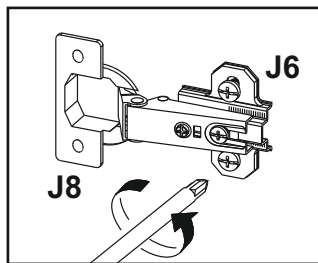
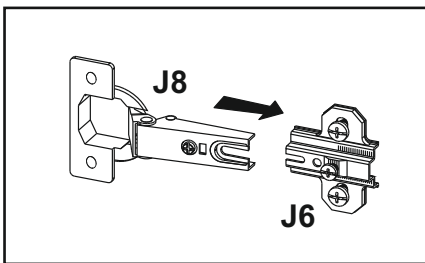
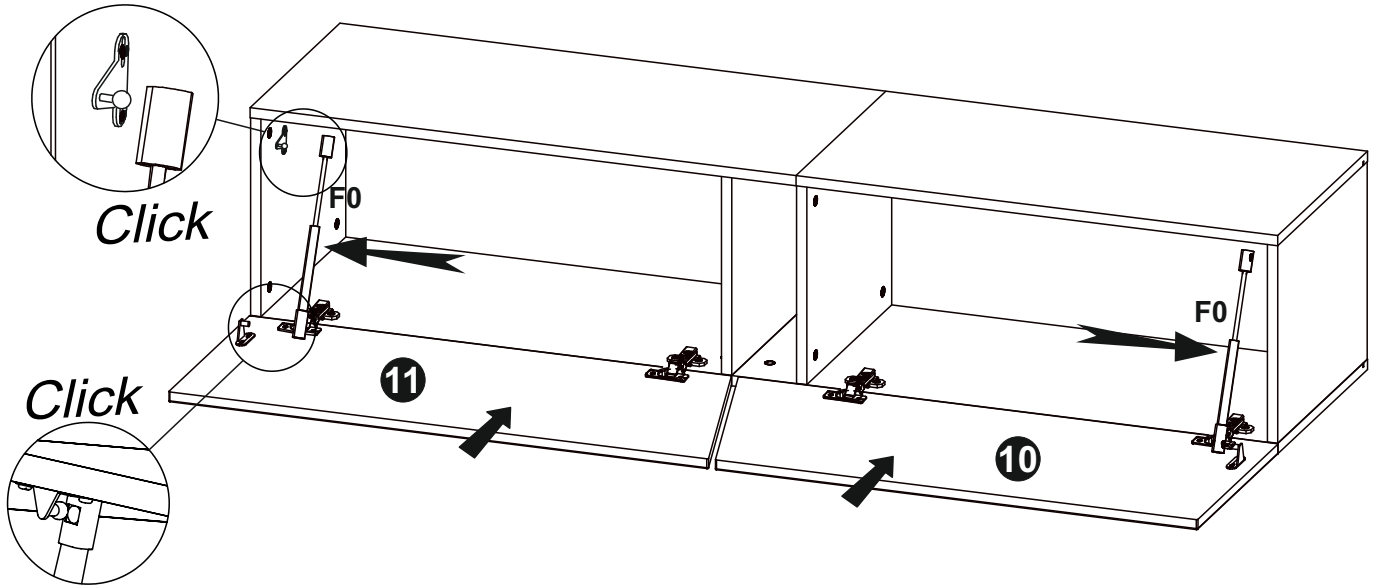
3



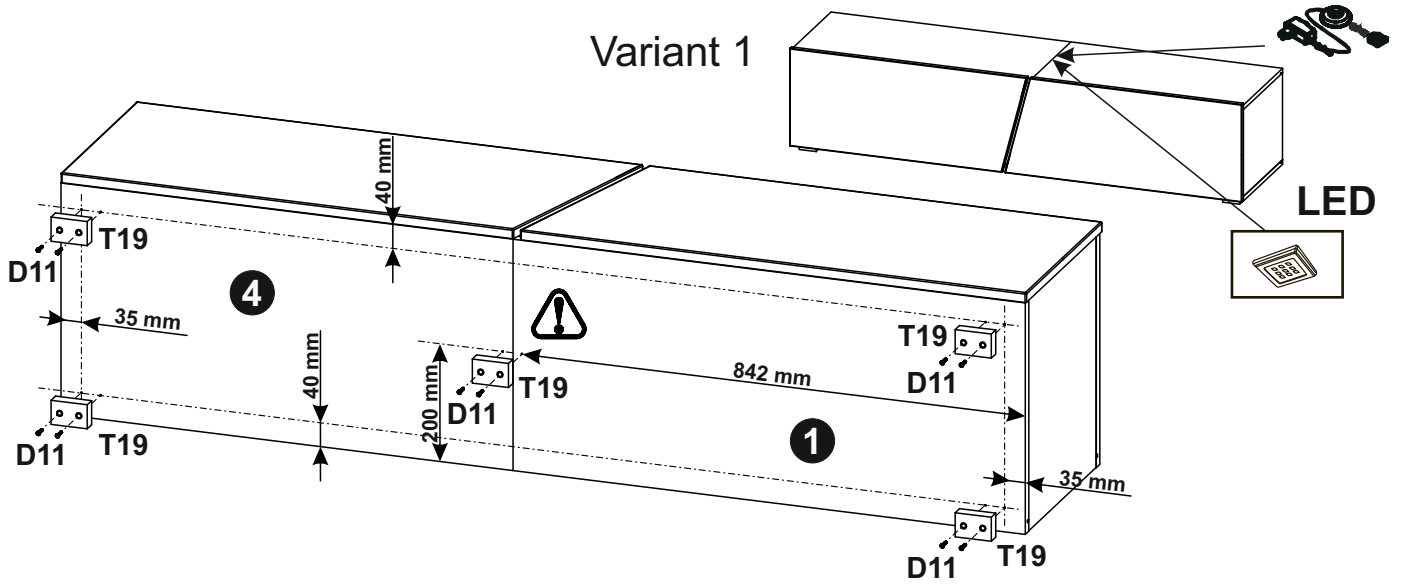
4



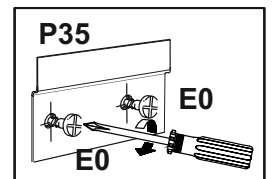
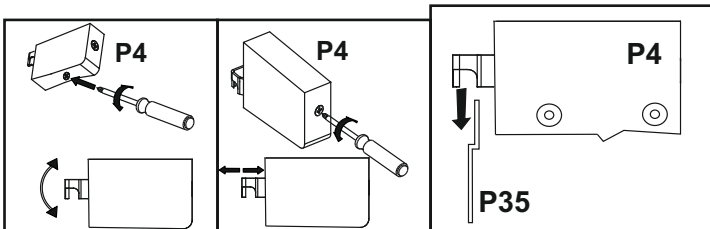
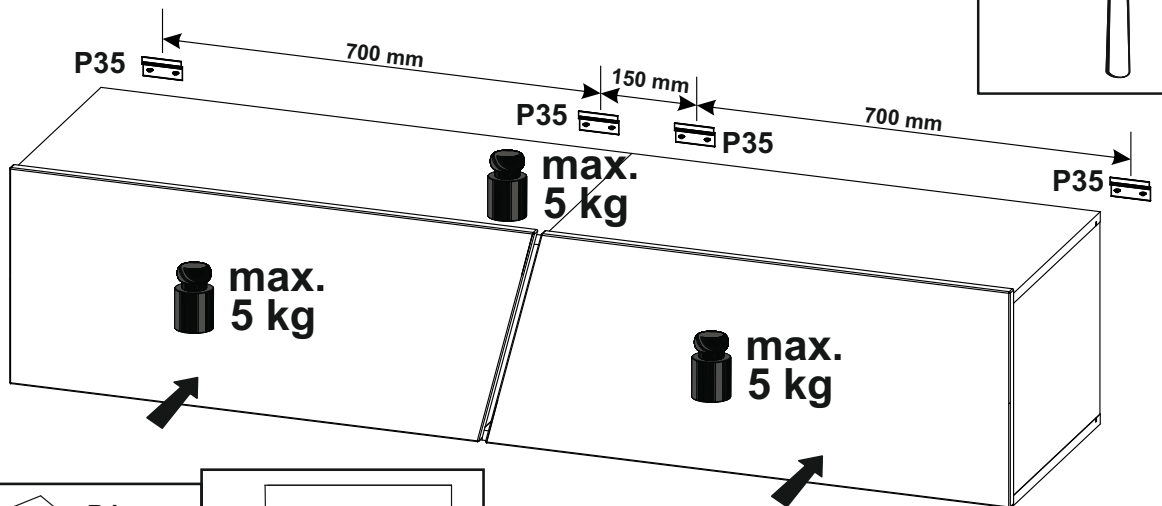
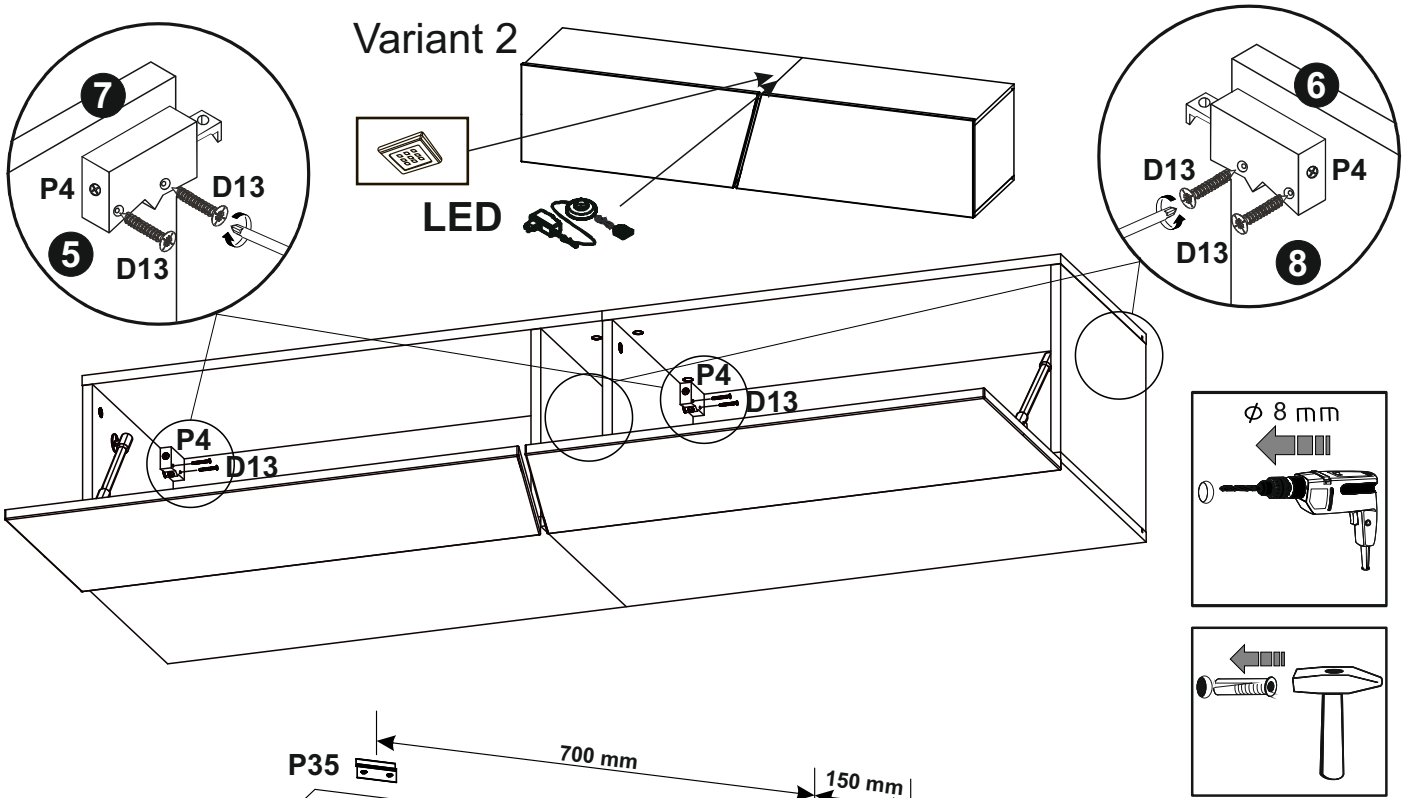
5

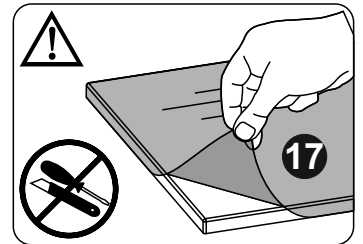
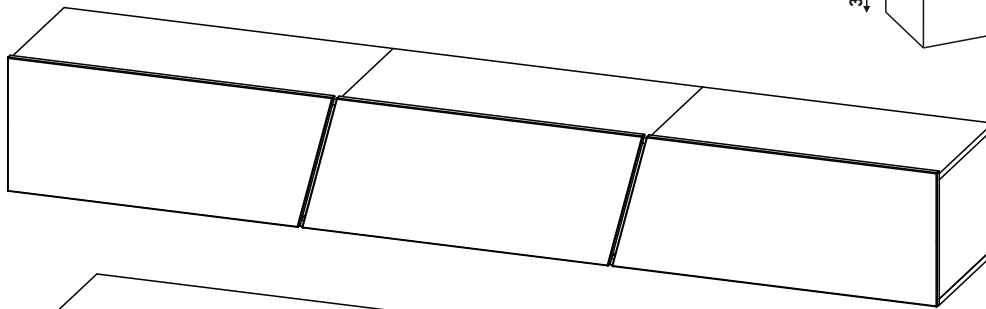
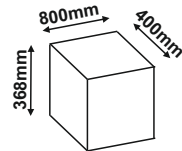
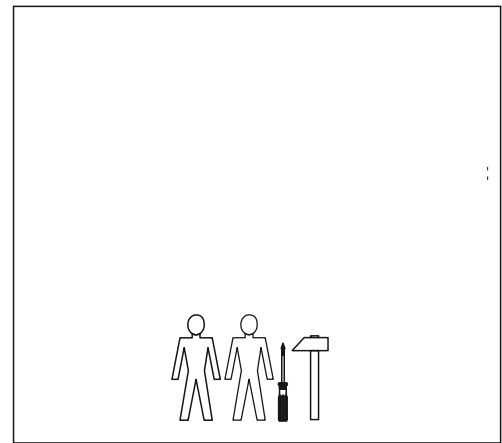


Variant 1

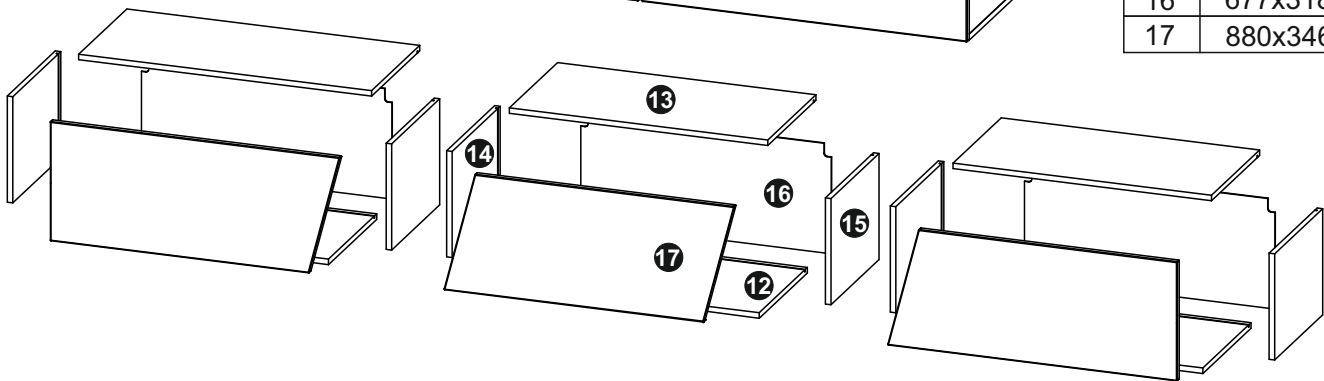


Variant 2

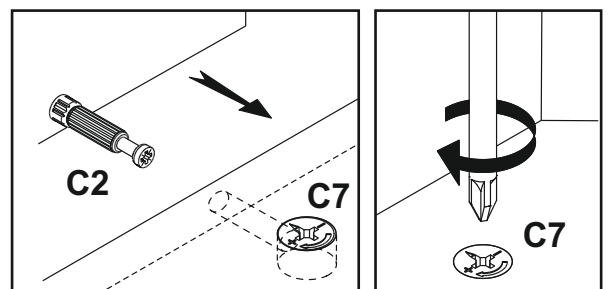
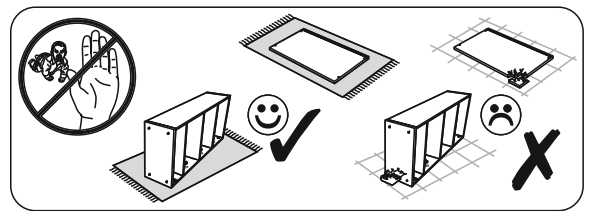
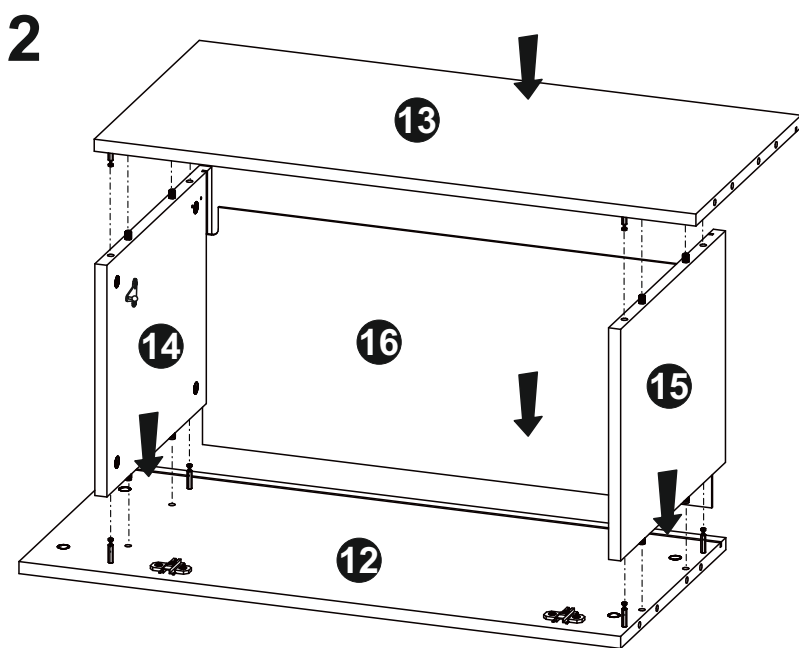
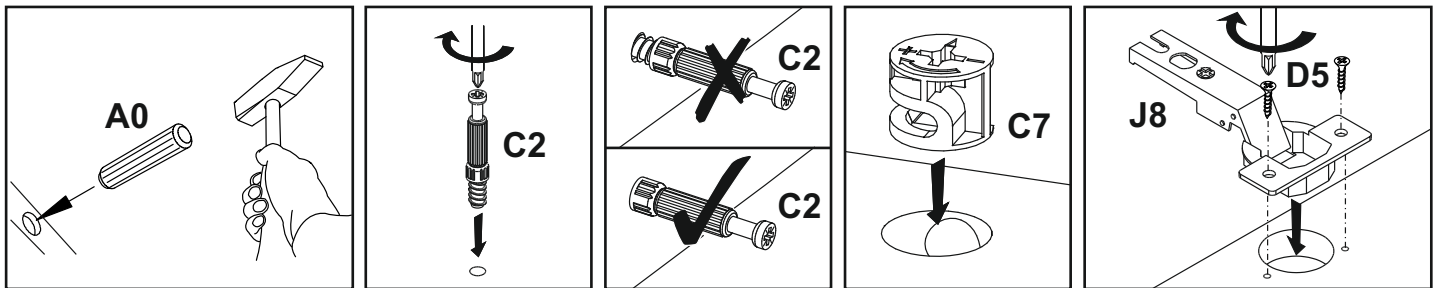
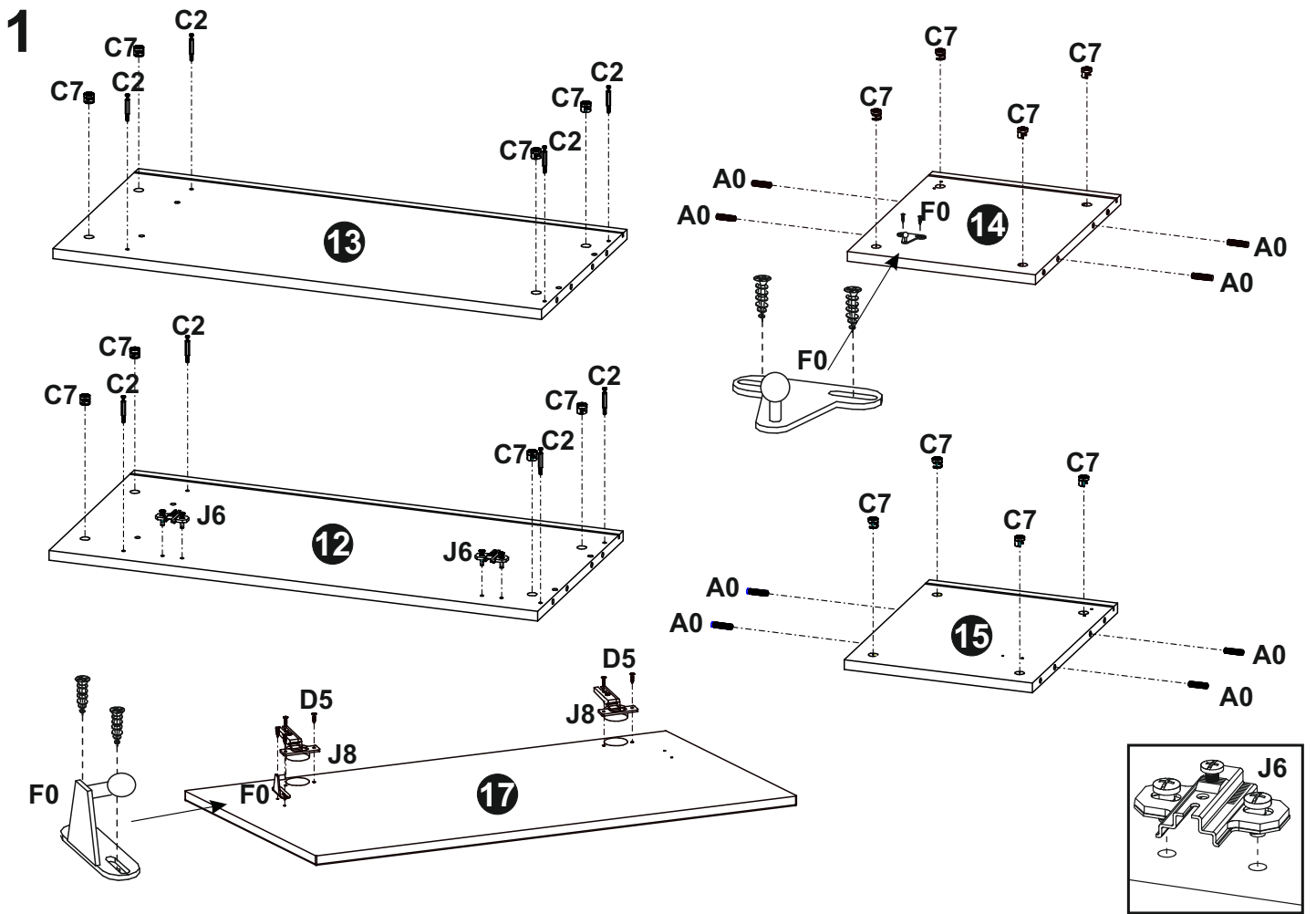




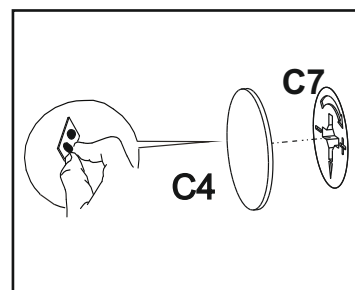
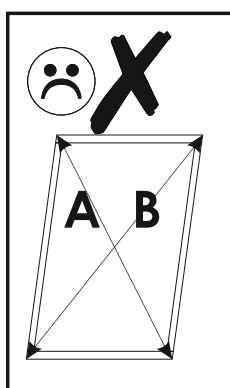
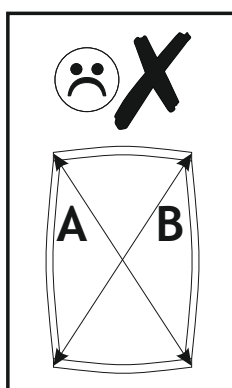
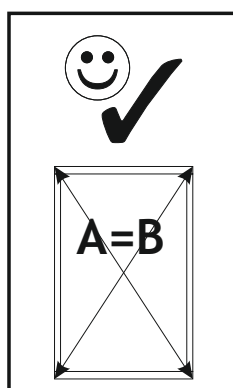
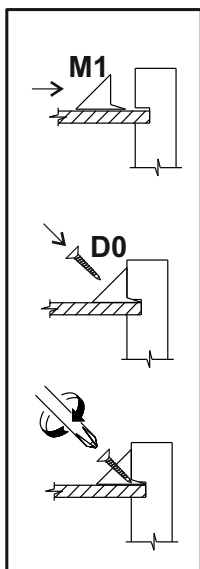
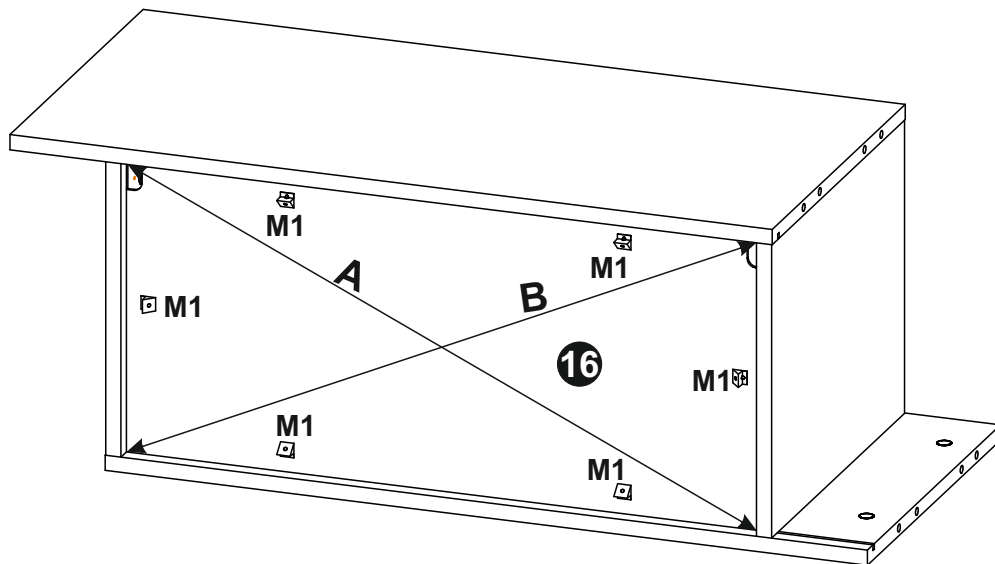
12,13	800x384	2
14,15	308x383	2
16	677x318	1
17	880x346	1



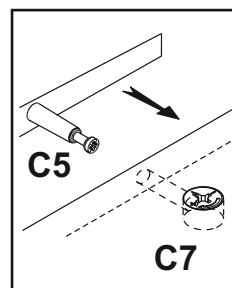
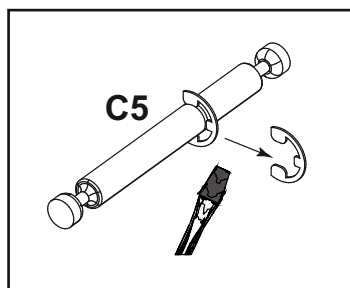
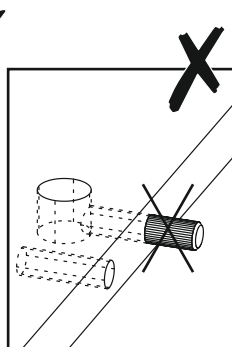
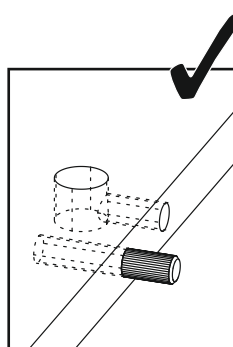
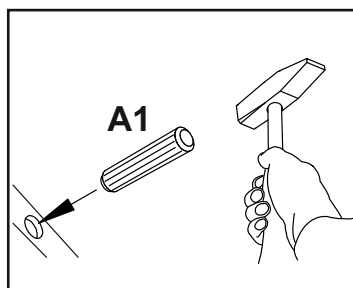
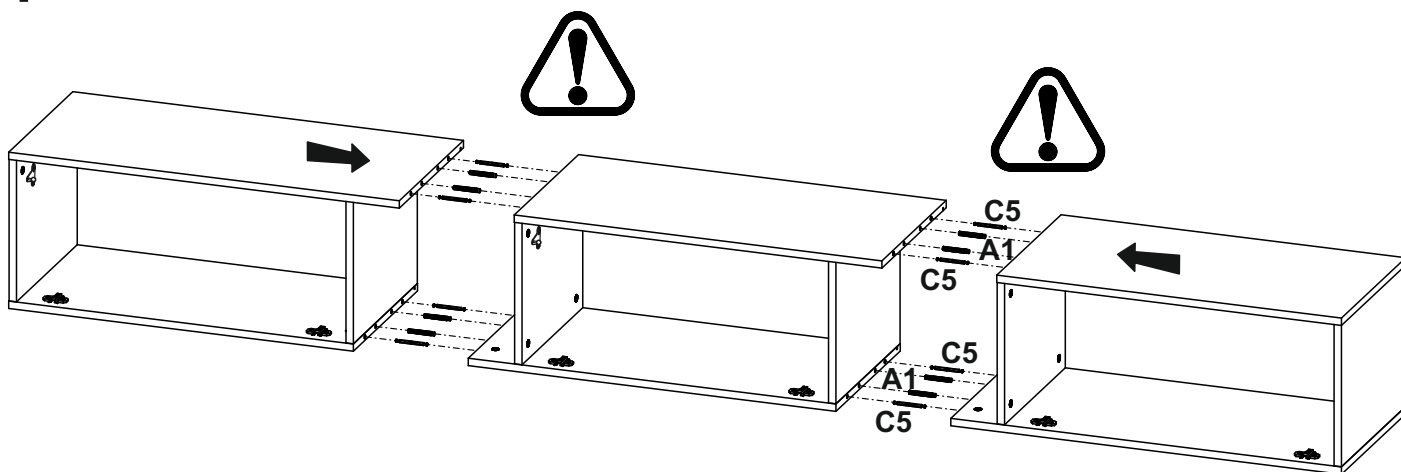
A0 8 x 30mm x8	A1 x4	C2 x8	C4 x16	C5 x4	C7 16mm x16
D0 3 x 15 mm x6	D5 3.5 x 16 mm x4	D11 4 x 20 mm x2	D13 4 x 30 mm x4	E0 5 x 50 mm 8 x 50 mm x4	F0 x1
J6 x2	J8 x2	M1 x6	P4 x2	P35 x2	T19 x1



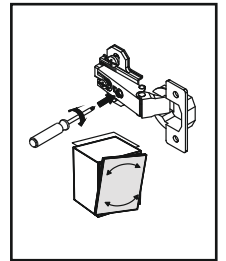
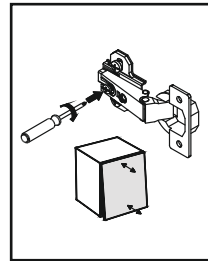
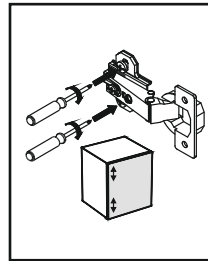
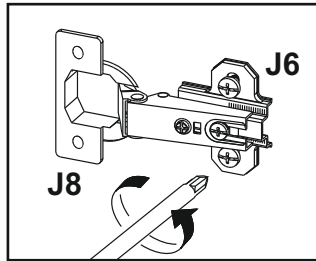
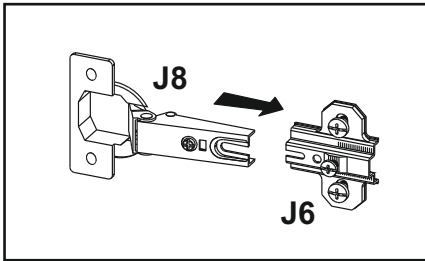
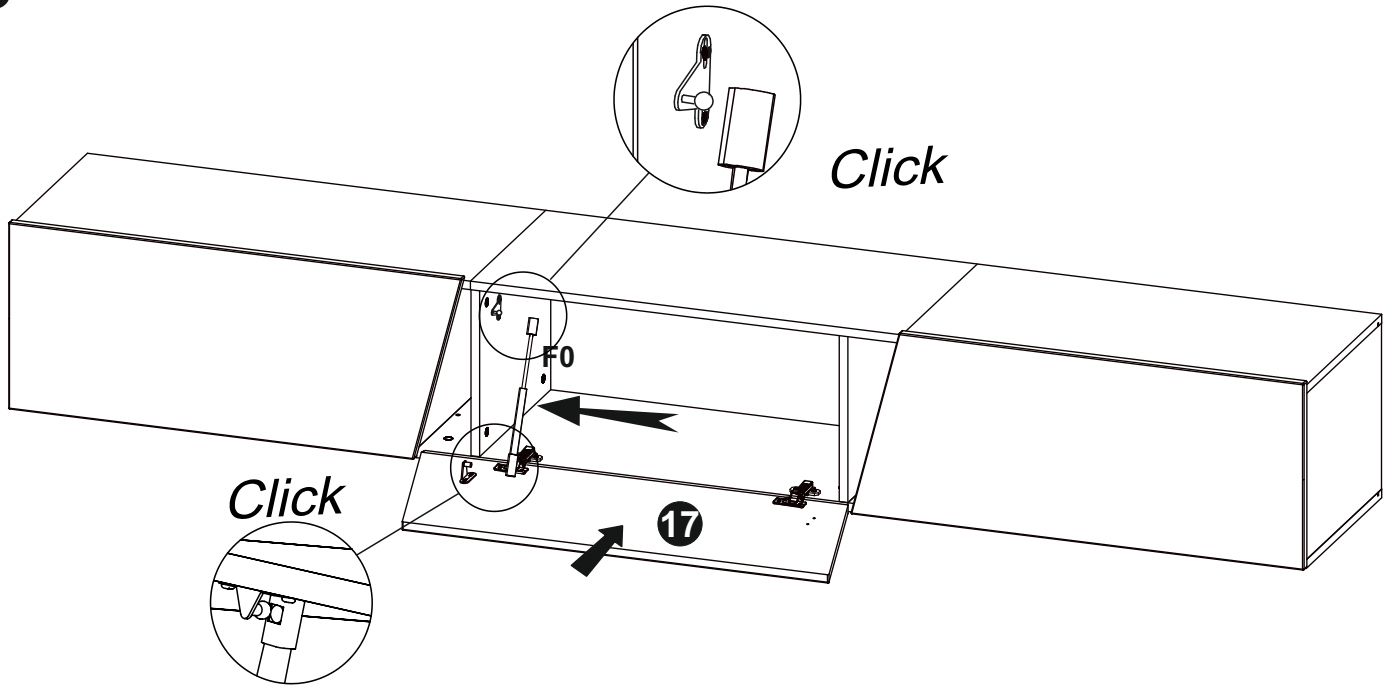
3



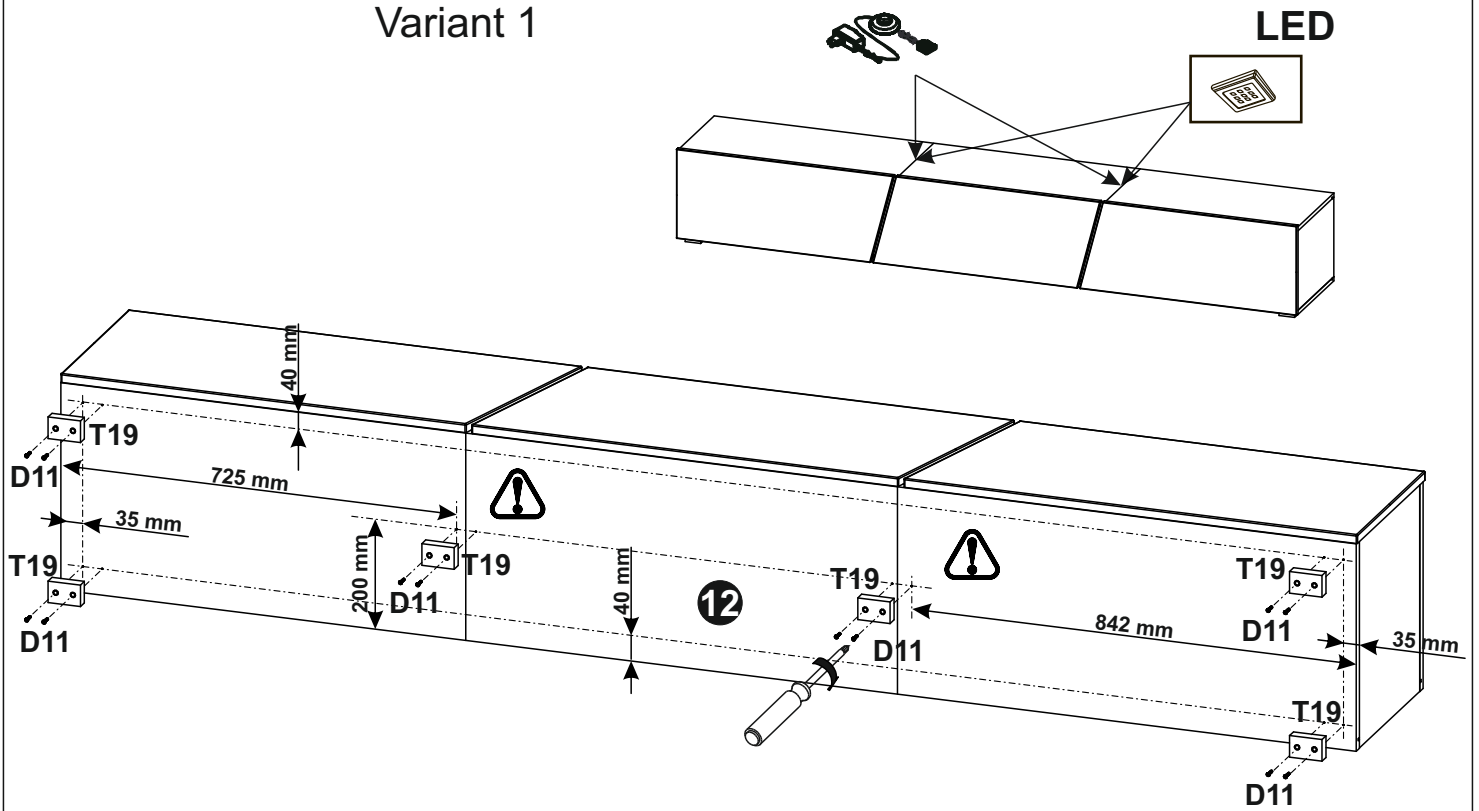
4



5



Variant 1



Variant 2

