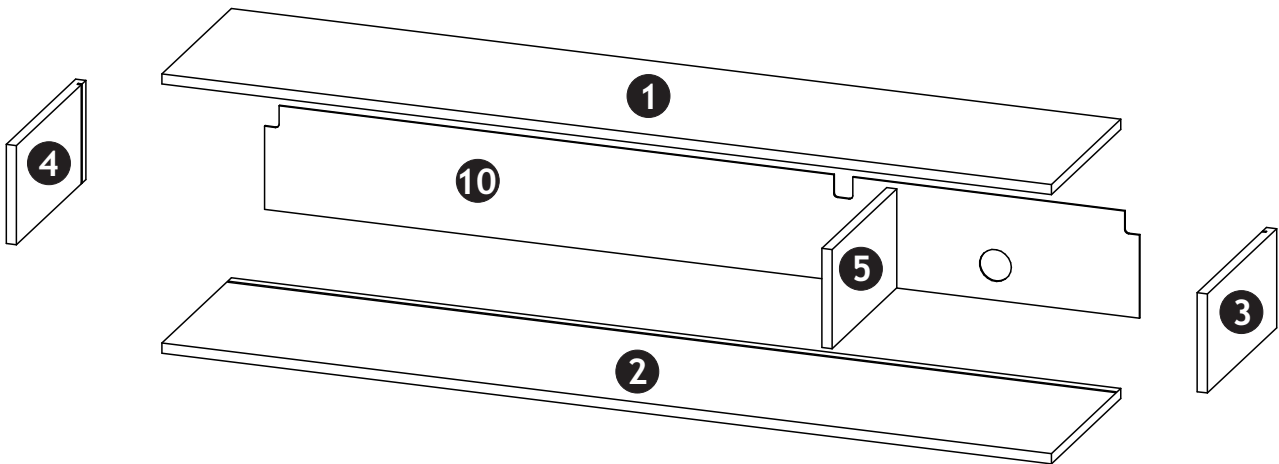
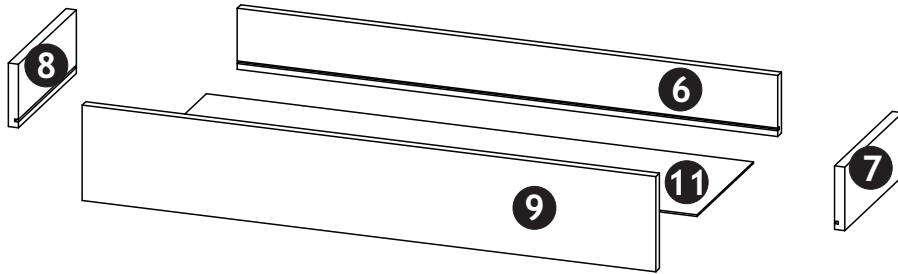
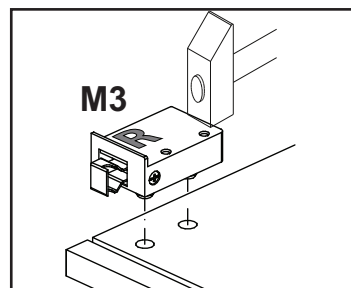
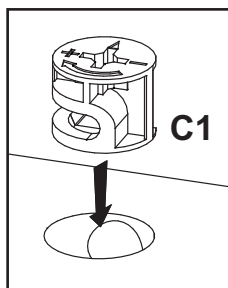
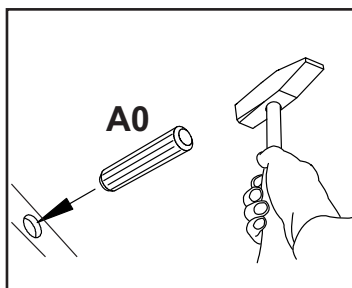
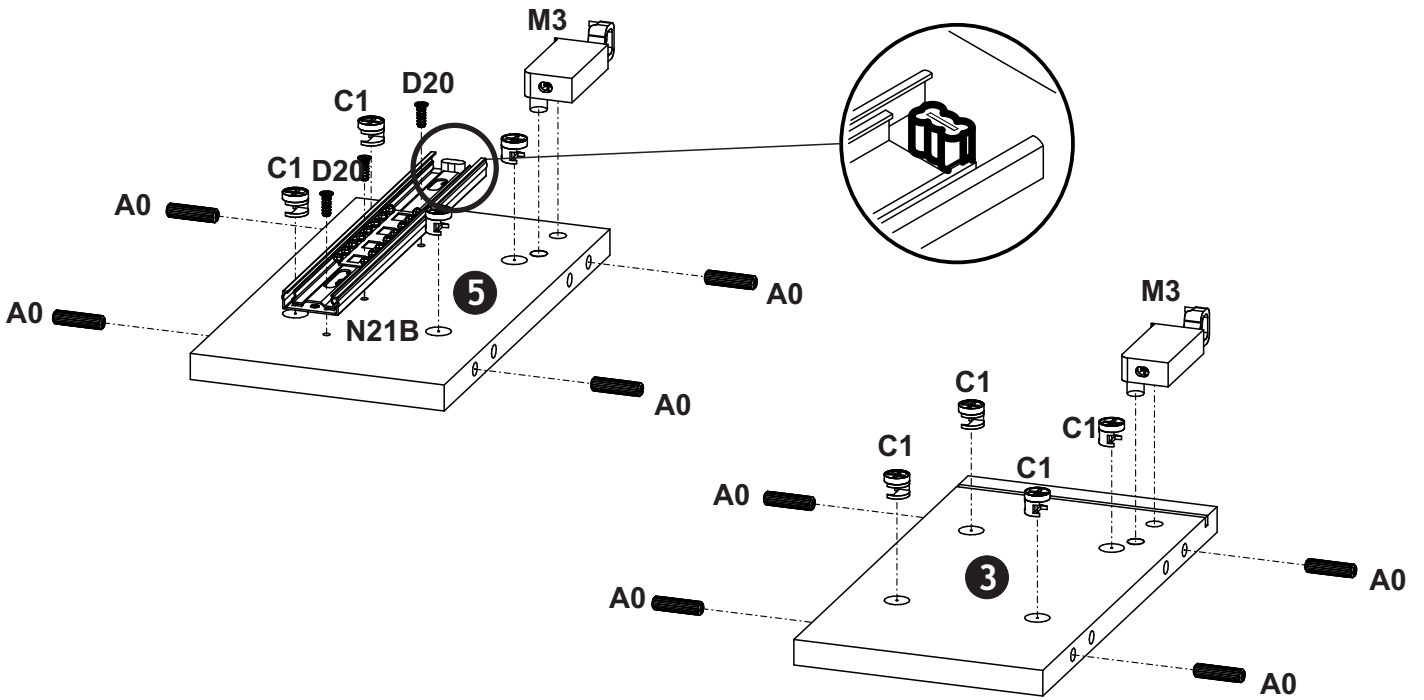
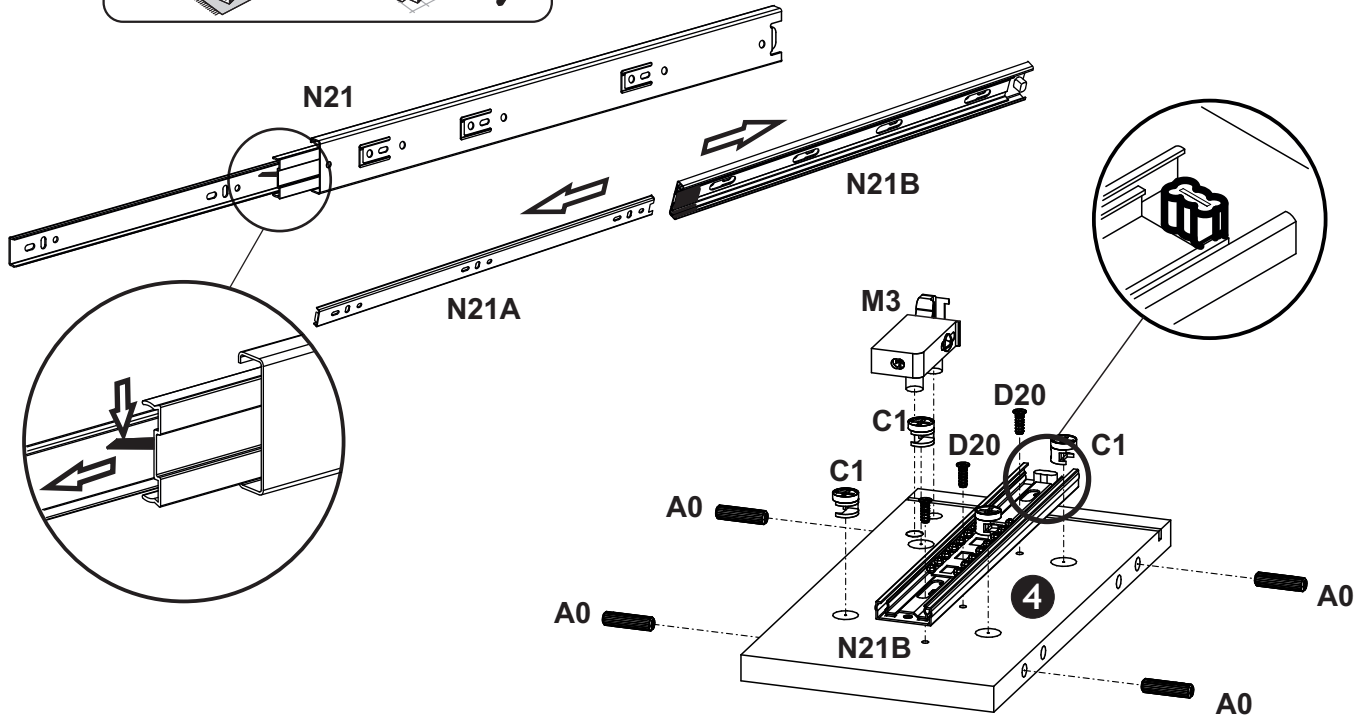
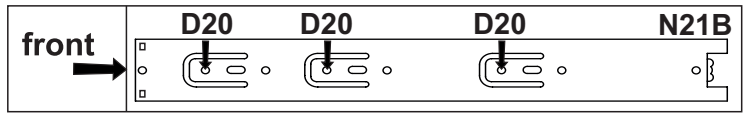
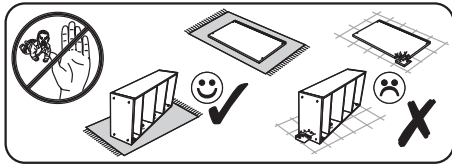


1	1400x300.5	1
2	1400x300.5	1
3	156x300	1
4	156x300	1
5	156x280	1
6	851x96	1

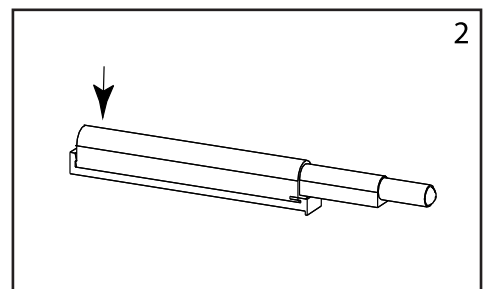
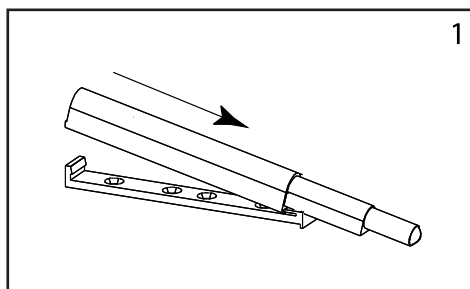
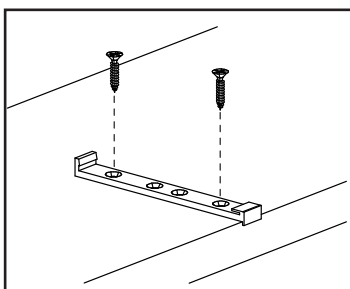
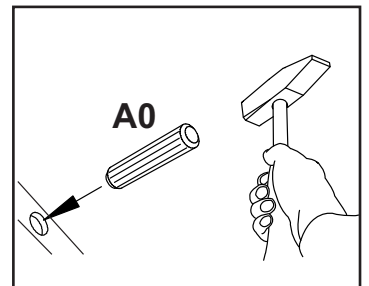
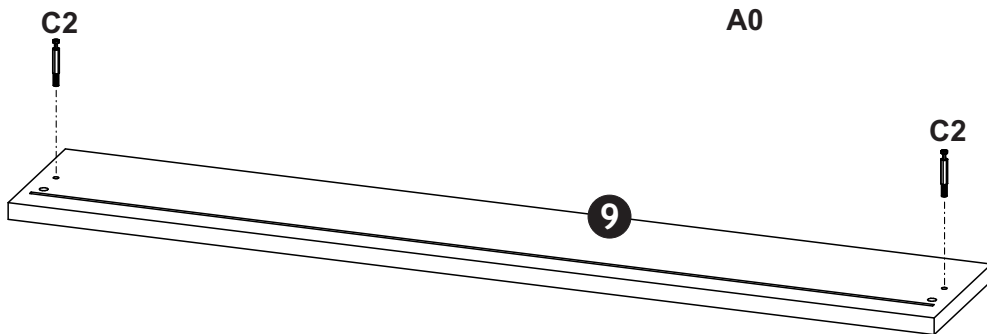
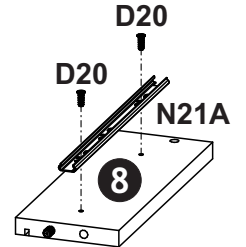
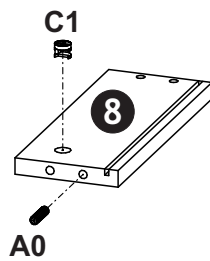
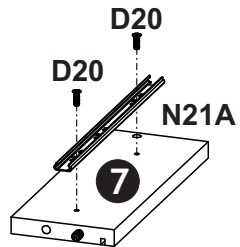
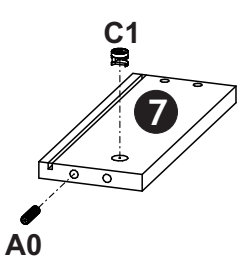
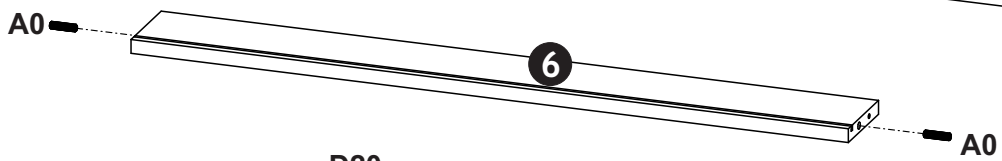
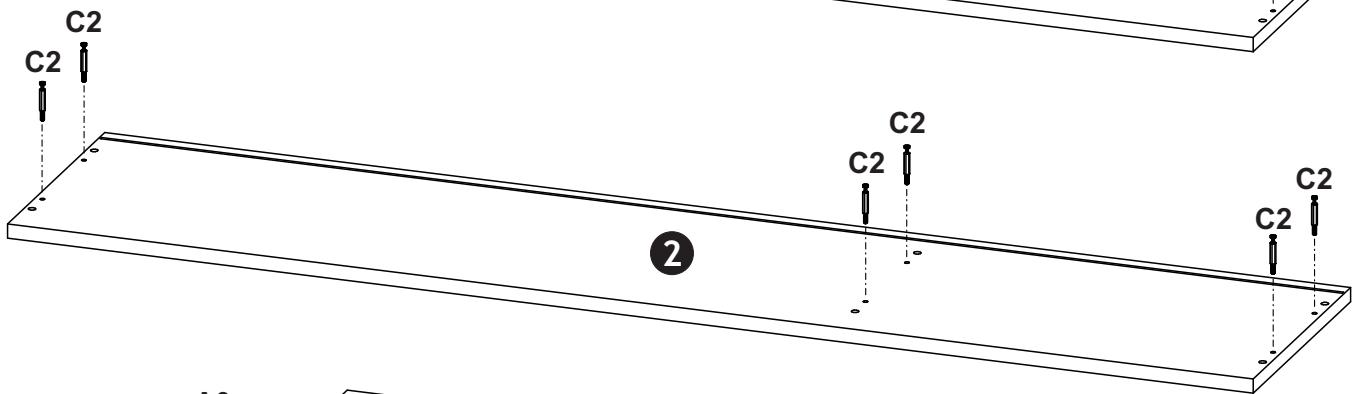
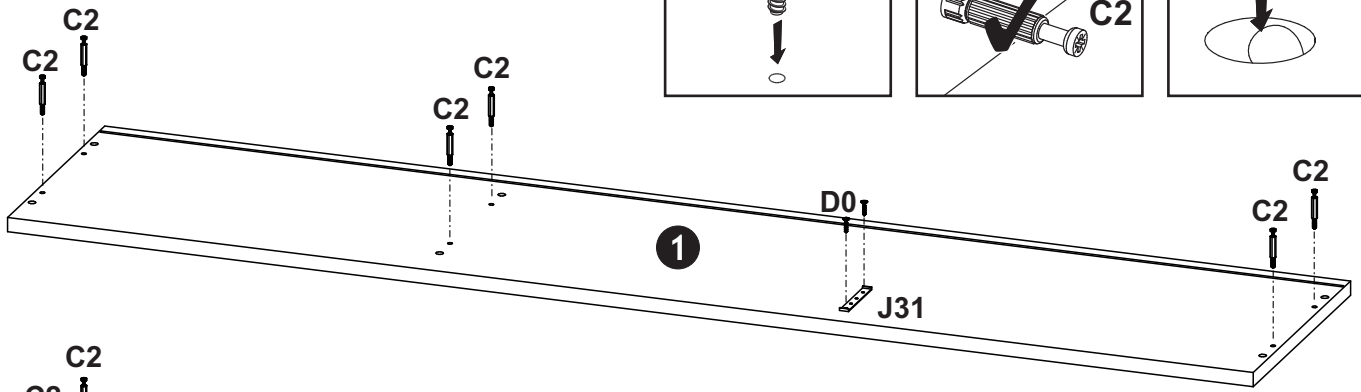
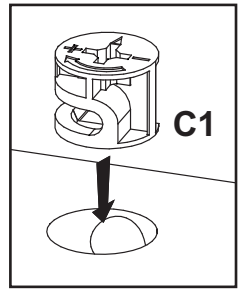
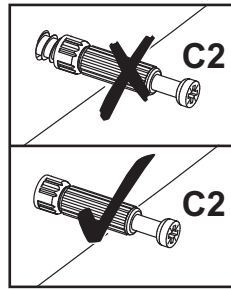
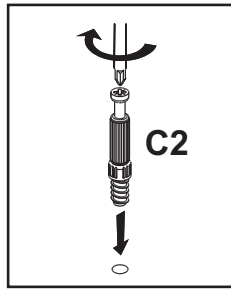
7	250x100	1
8	250x100	1
9	150x903	1
10	1377x166	1
11	860x244	1



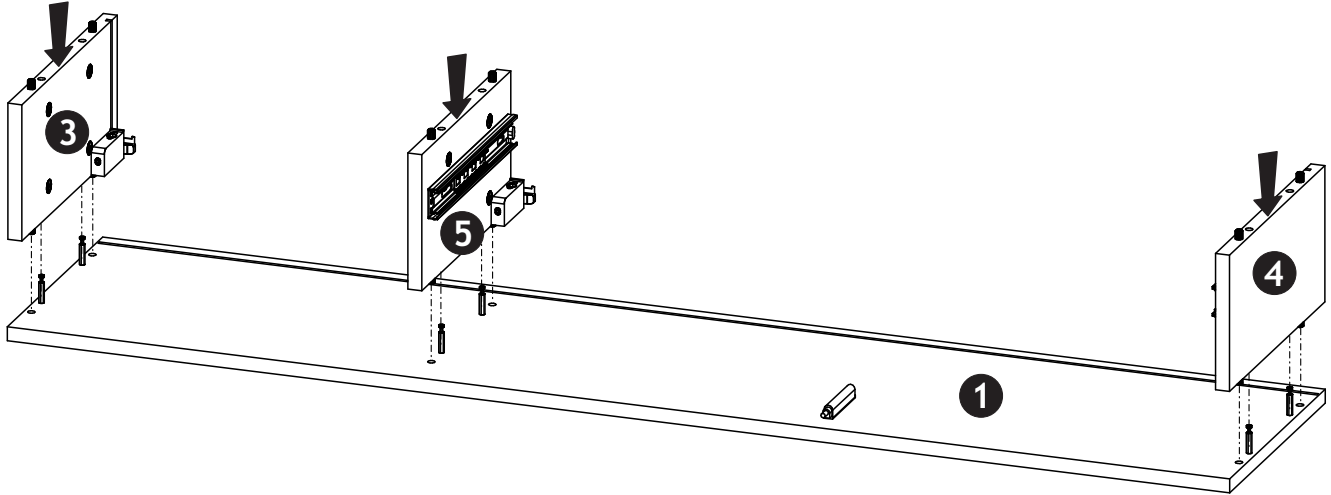
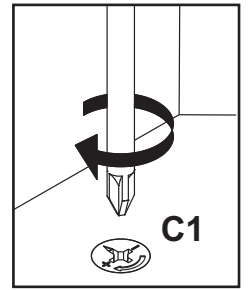
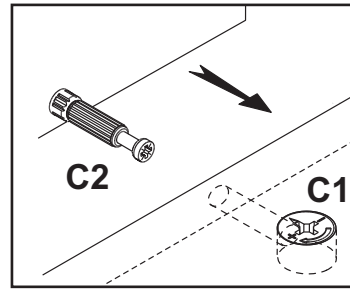
1



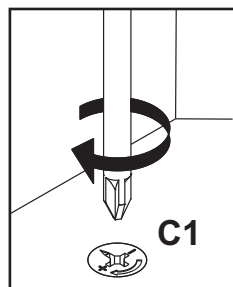
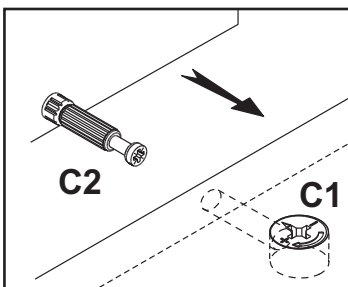
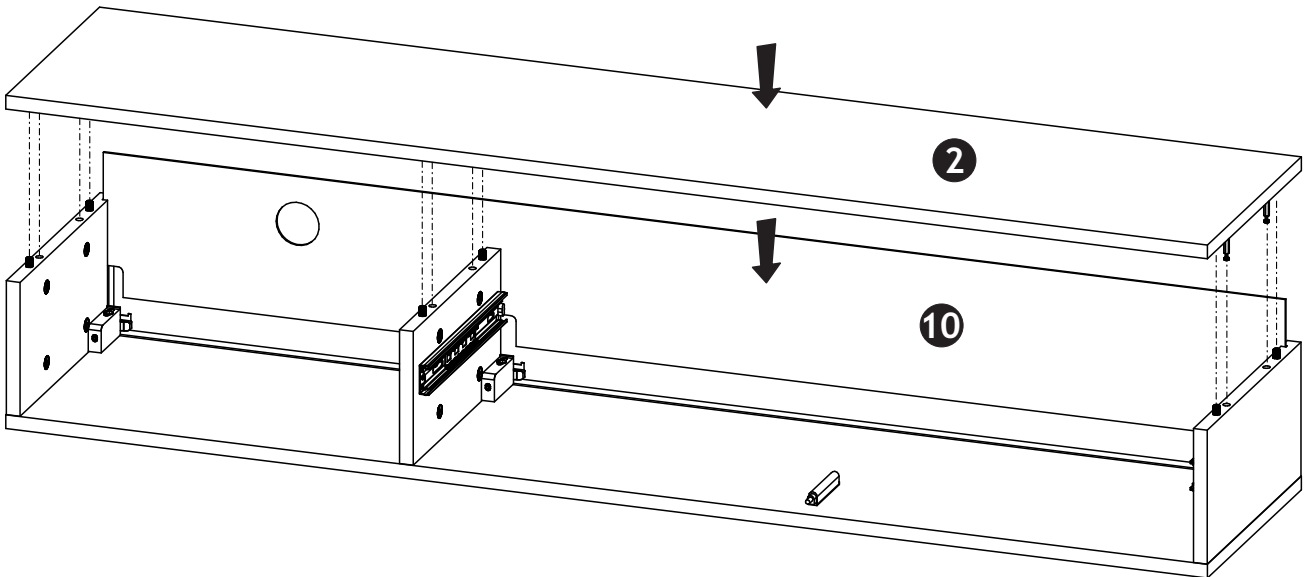
2



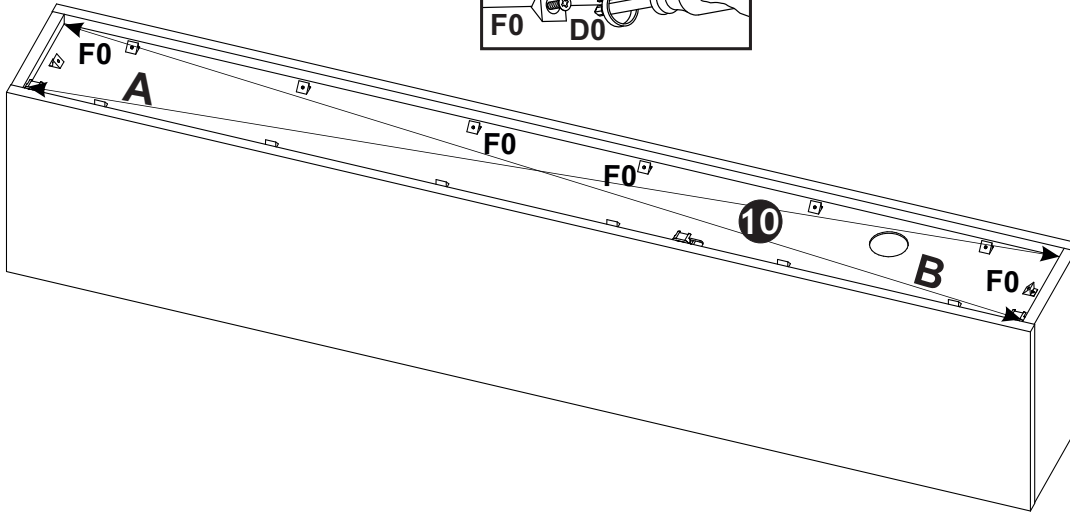
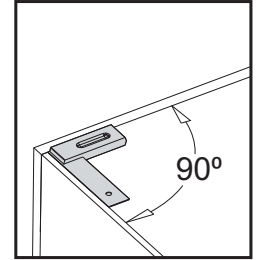
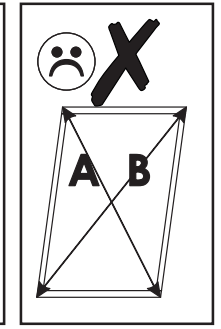
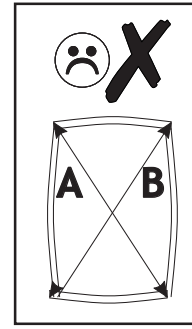
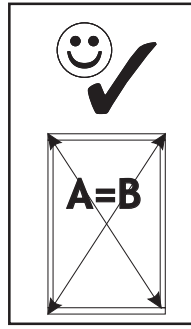
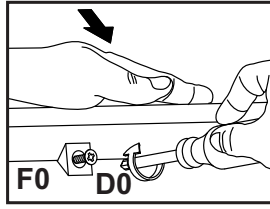
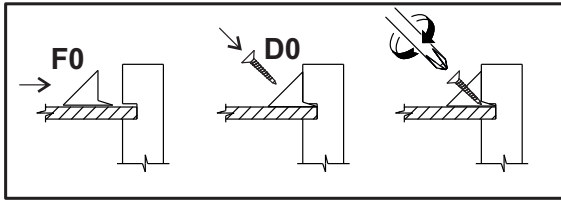
3



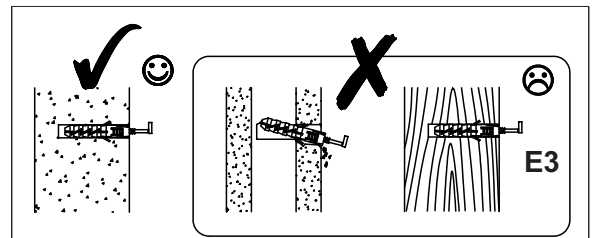
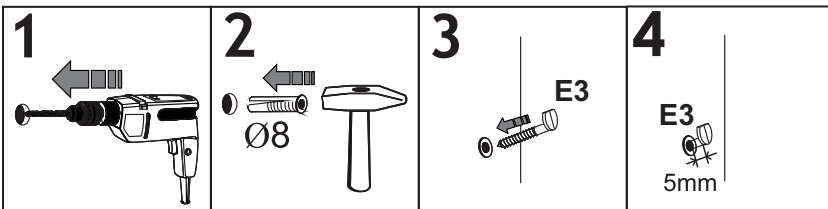
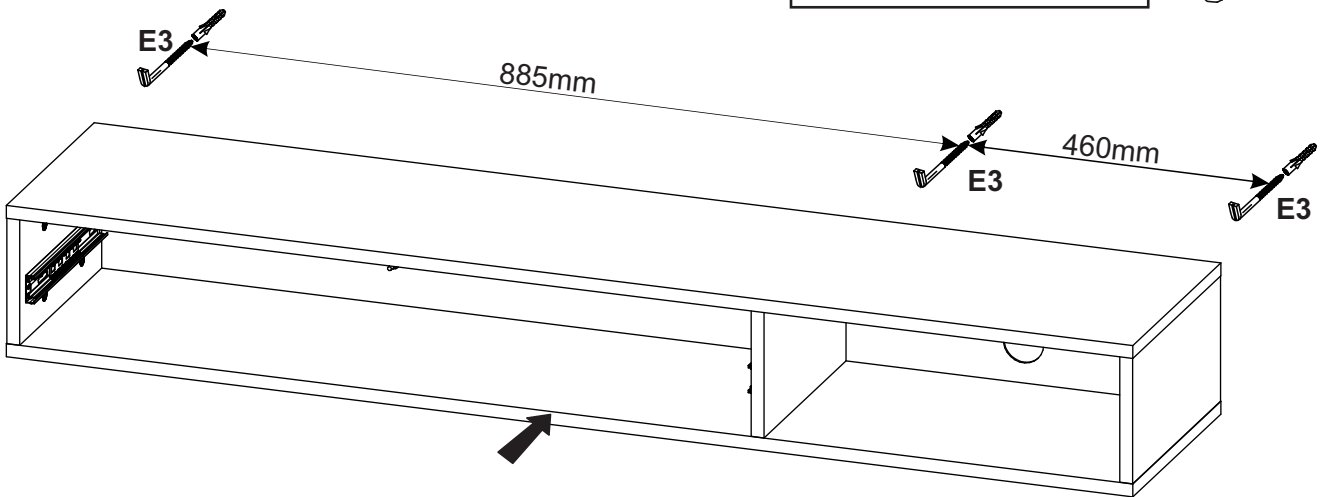
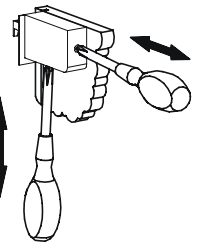
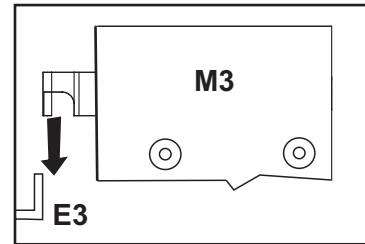
4



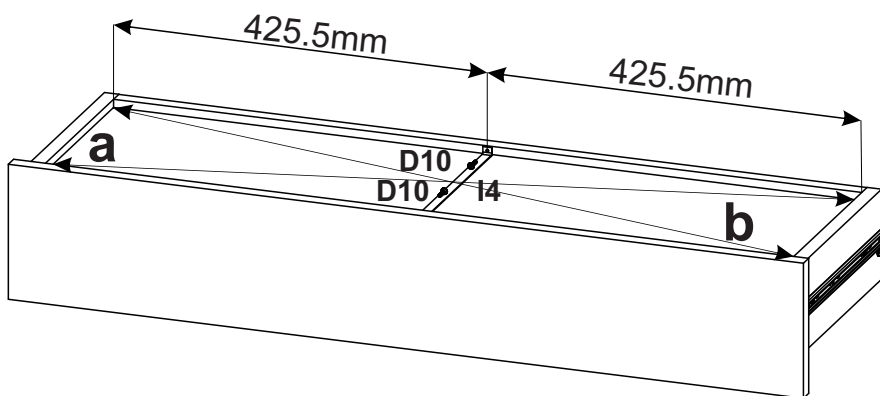
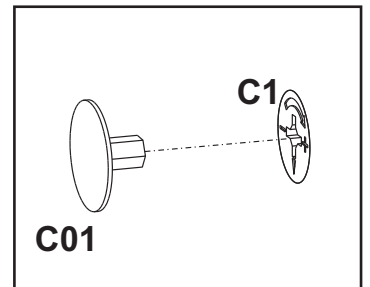
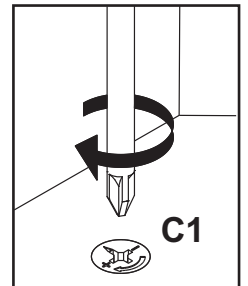
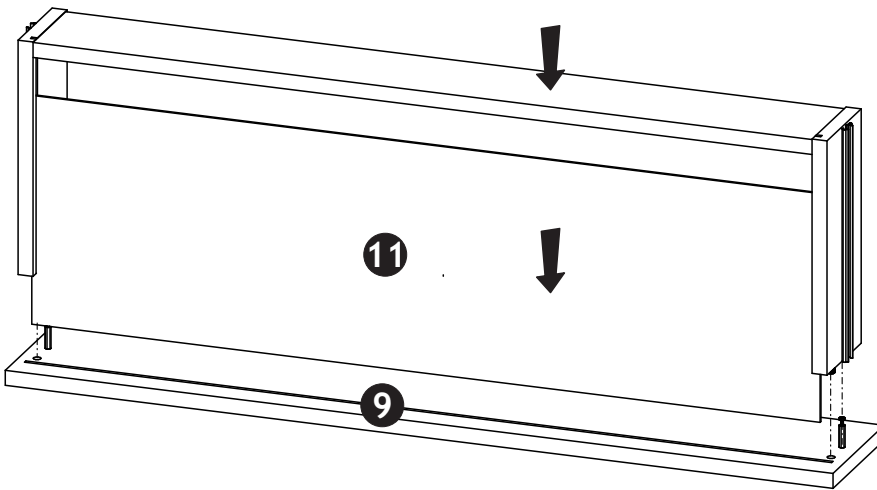
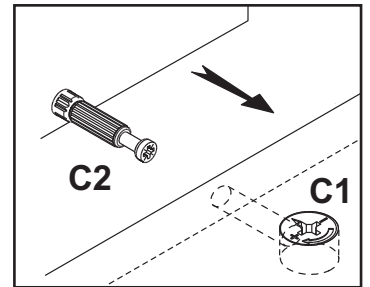
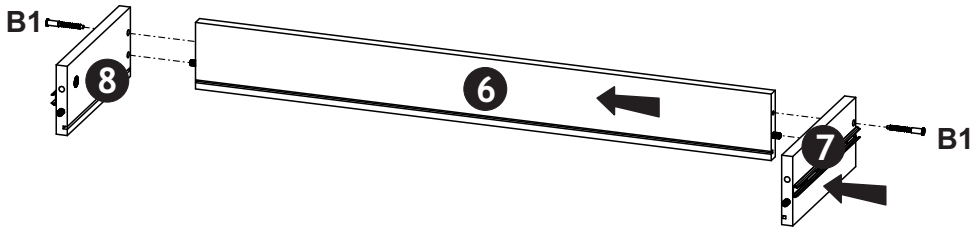
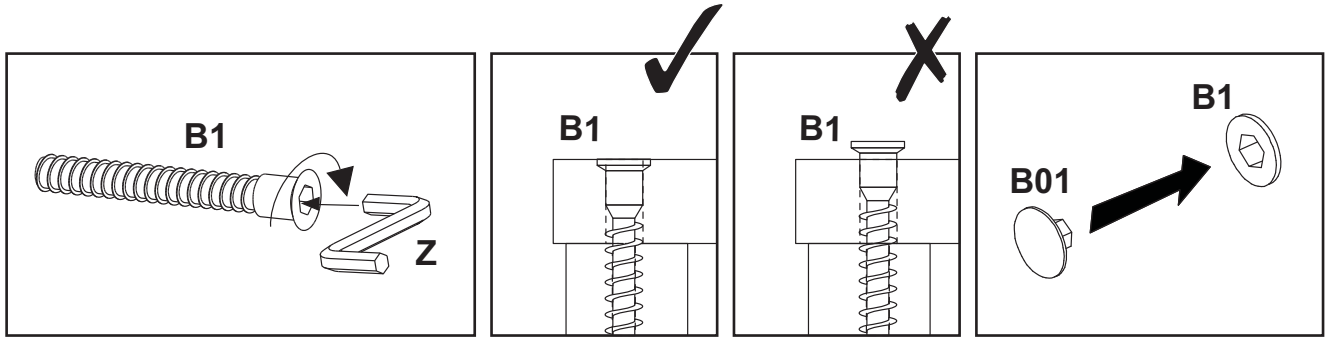
5



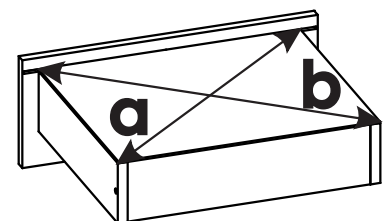
6



7



a=b



8

