



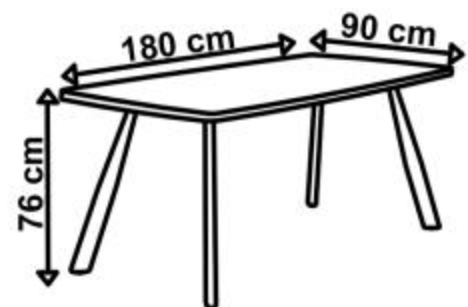


A		1
B		4
C		12
D		12



 max. 30 kg