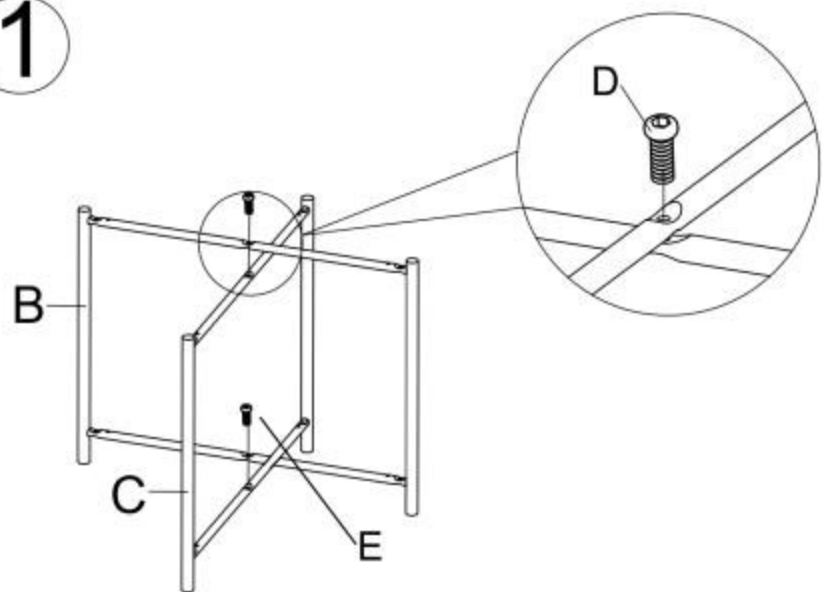
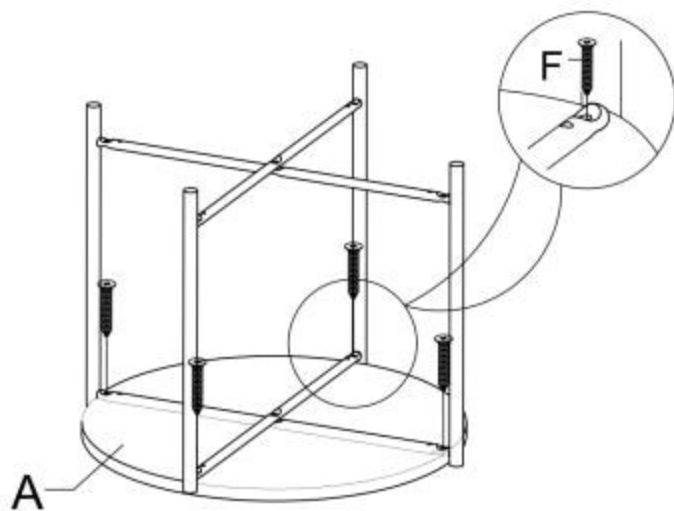


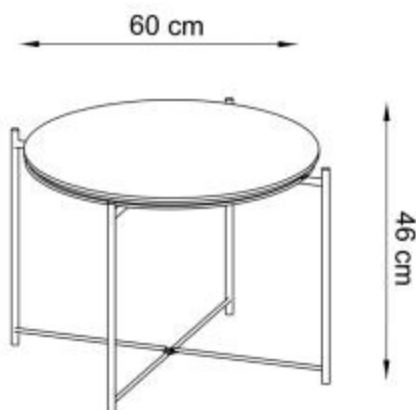
1









2



 MAX.30kg



A		1
B		1
C		1
D	 M5x12	1
E	 M5x8	1
F	 M5x45	4