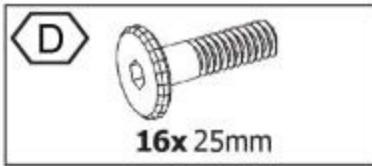


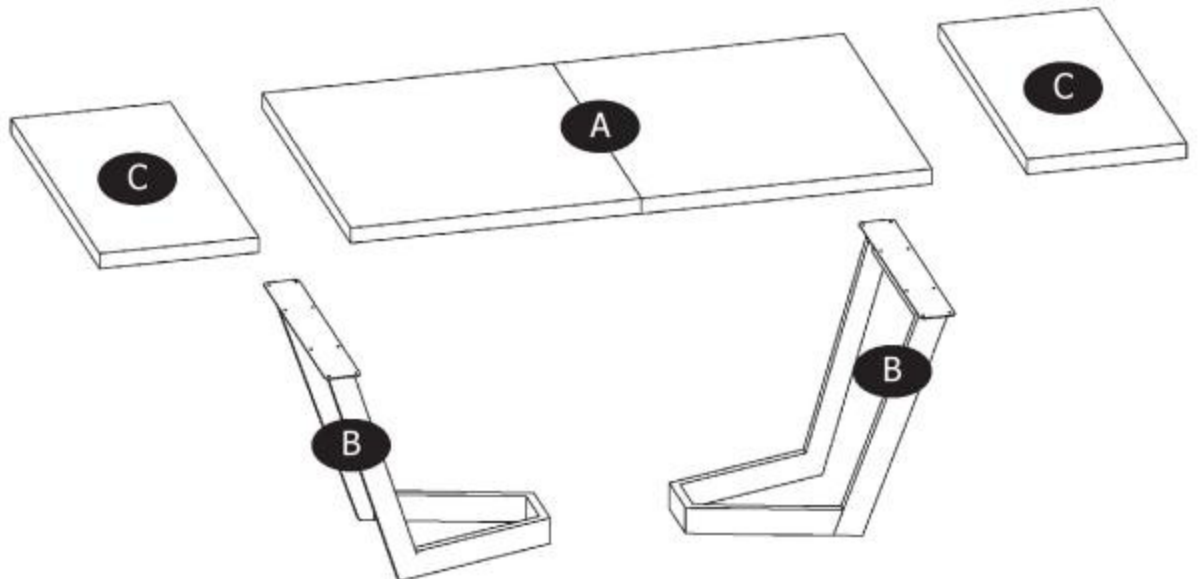
 max. 60 kg



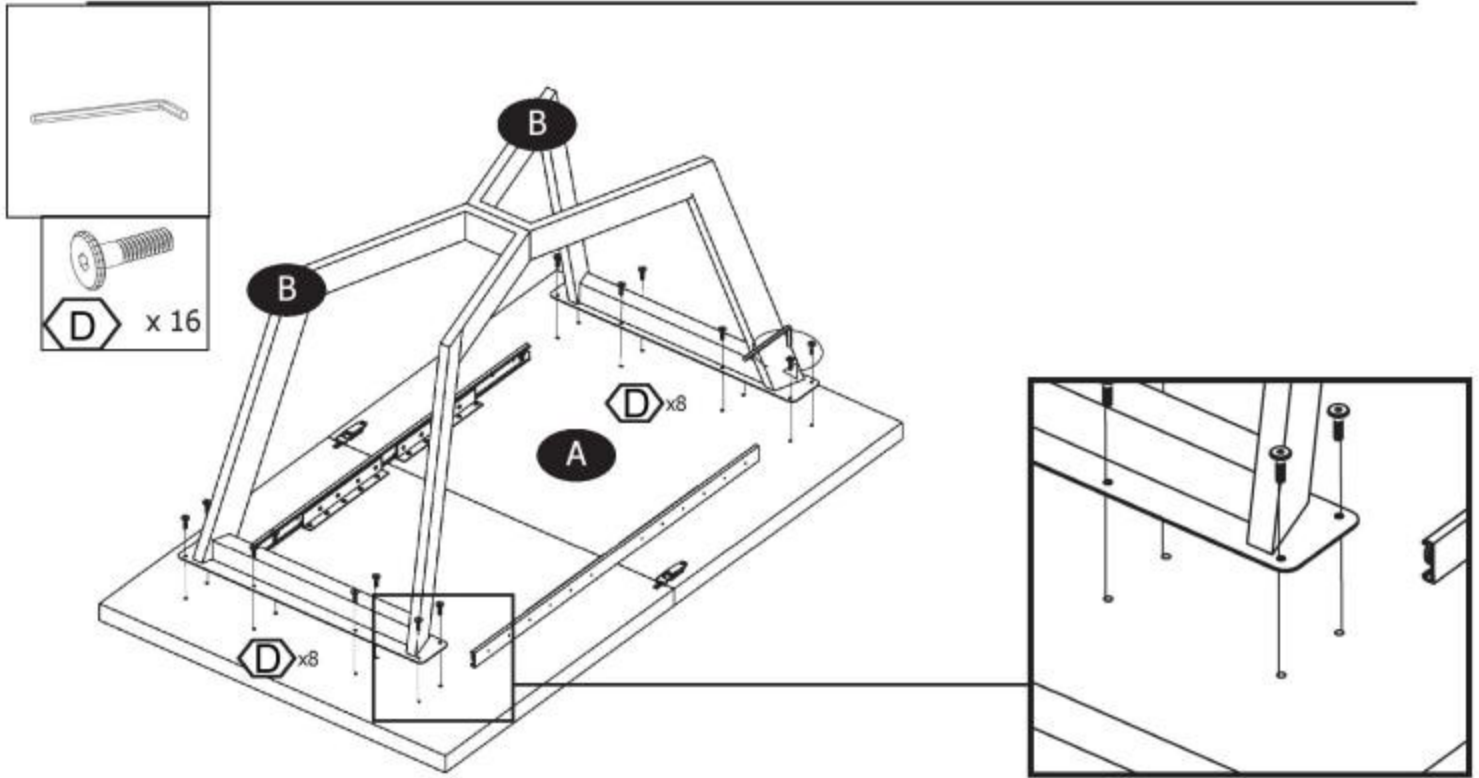
A x 1

B x 2

C x 2



1



2

