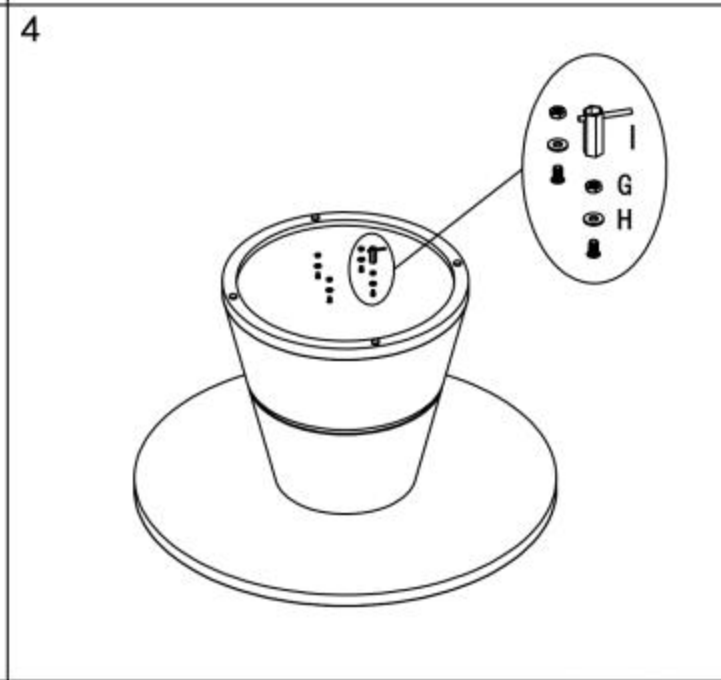
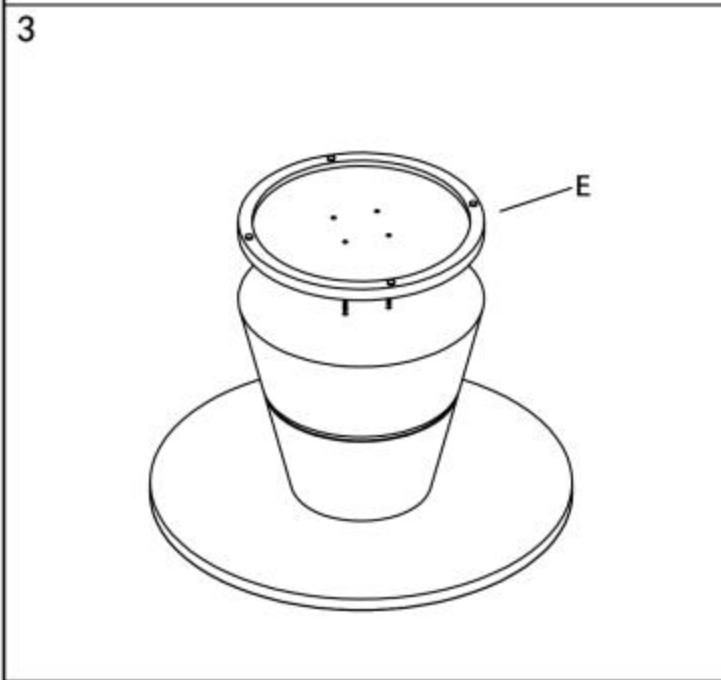


Ax1		Bx1		Cx1	
Dx1		Ex1		Fx4	
Hx4		Ix1			
	8x18		M8		



max. 40 kg