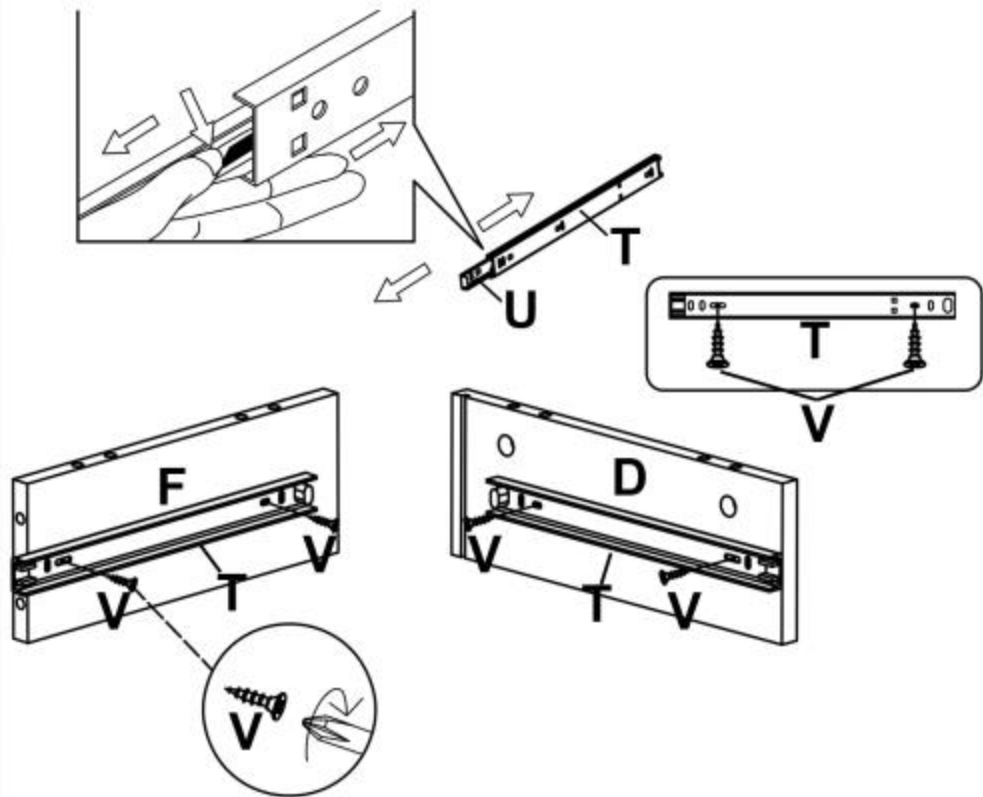


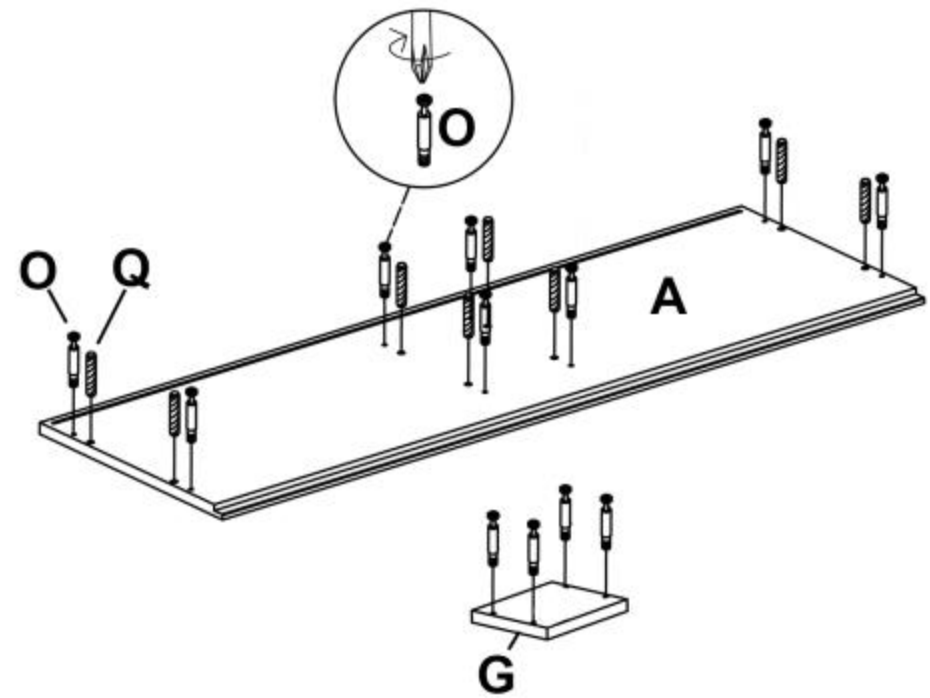
O x16  M6*35mm	P x16  Ø15mm	Q x16  Ø8*30mm	R x8  M6*40mm	S x8  M6*50mm	T x2  285mm	U x2  285mm
V x14  M3.5*14mm	W x4  M4*35mm	X x6  φ20	Y x4  20*20*2mm	Z x16  M6*12mm	Z <sub>1</sub> x4  120*60*3mm	Z <sub>2</sub> x6 



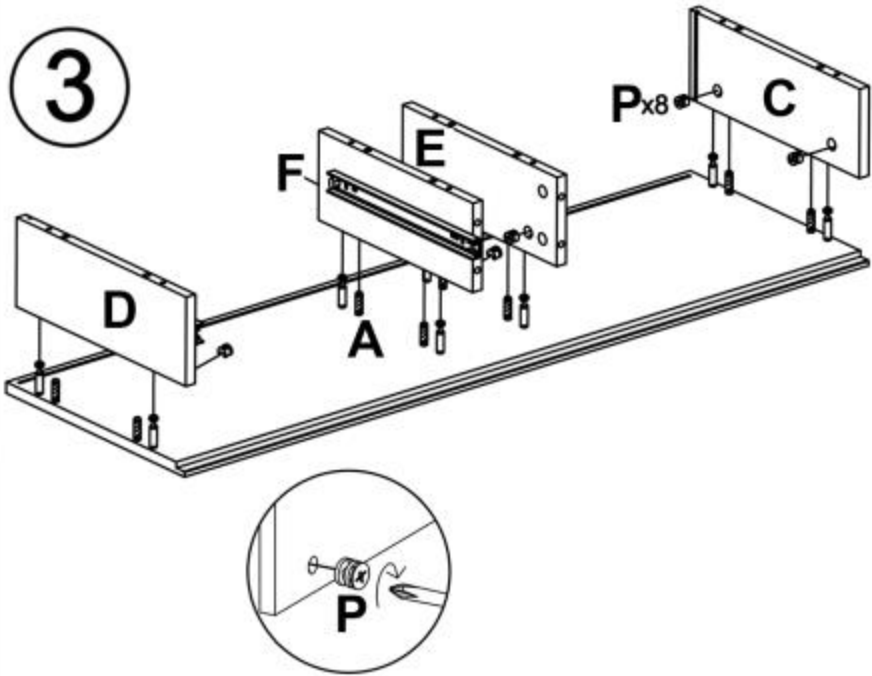
1



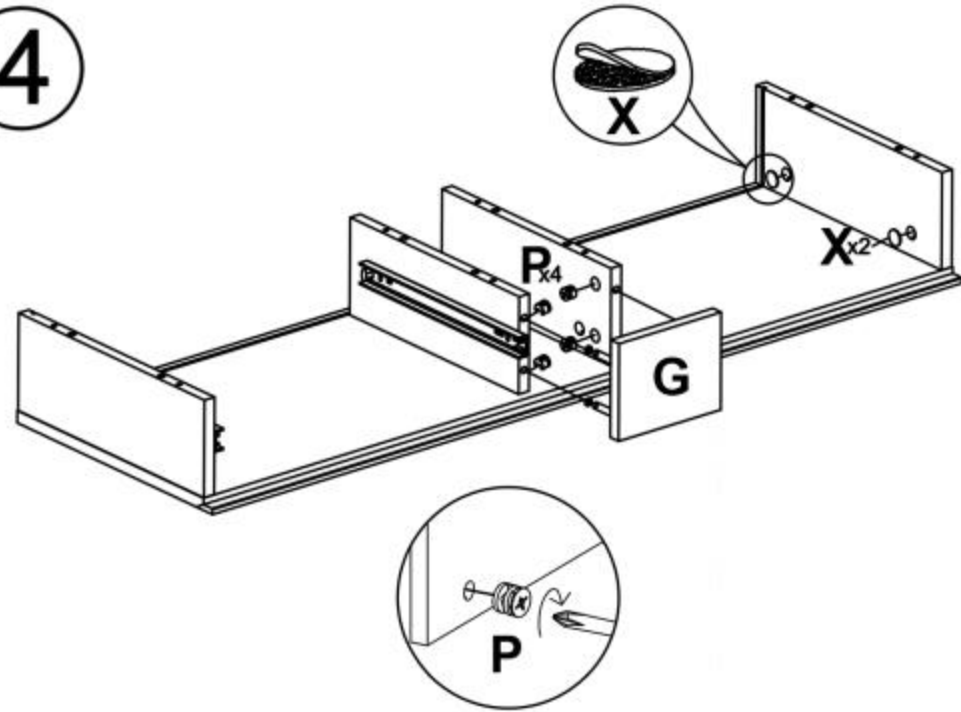
2



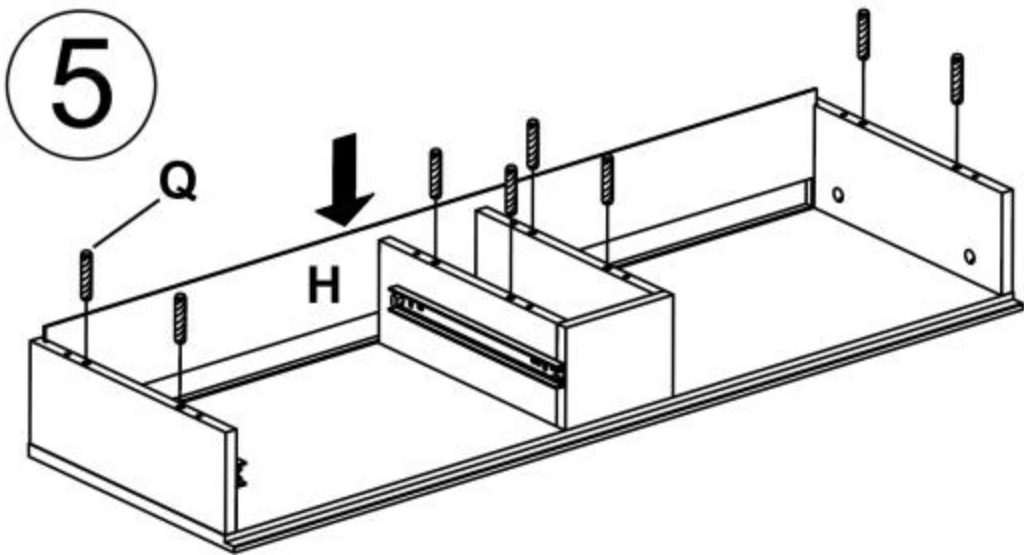
3



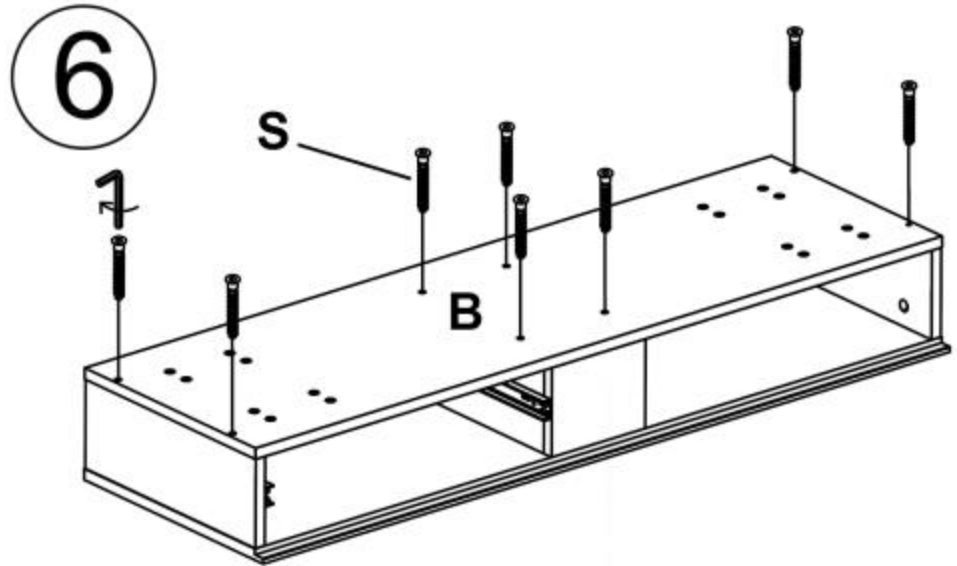
4



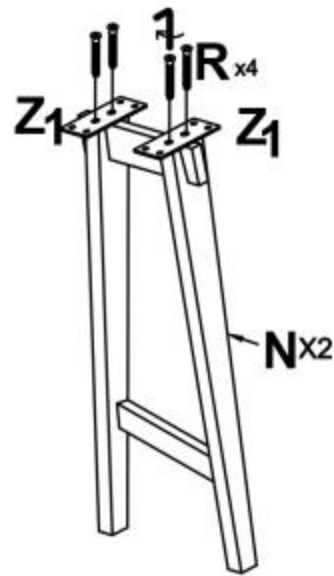
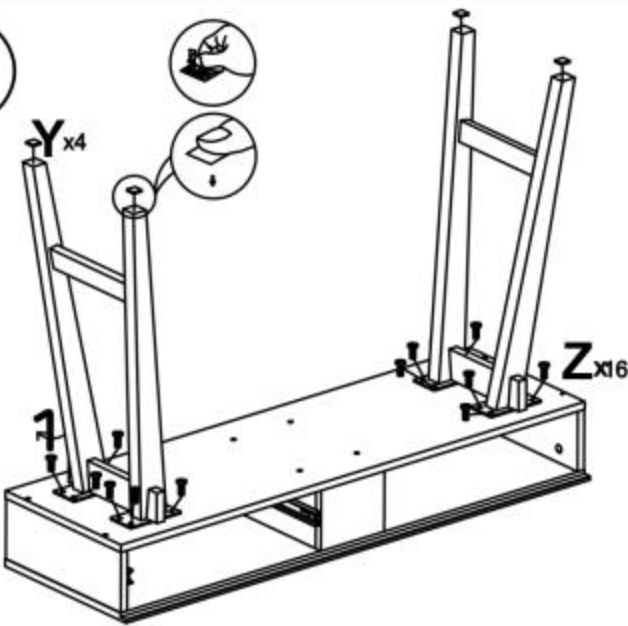
5



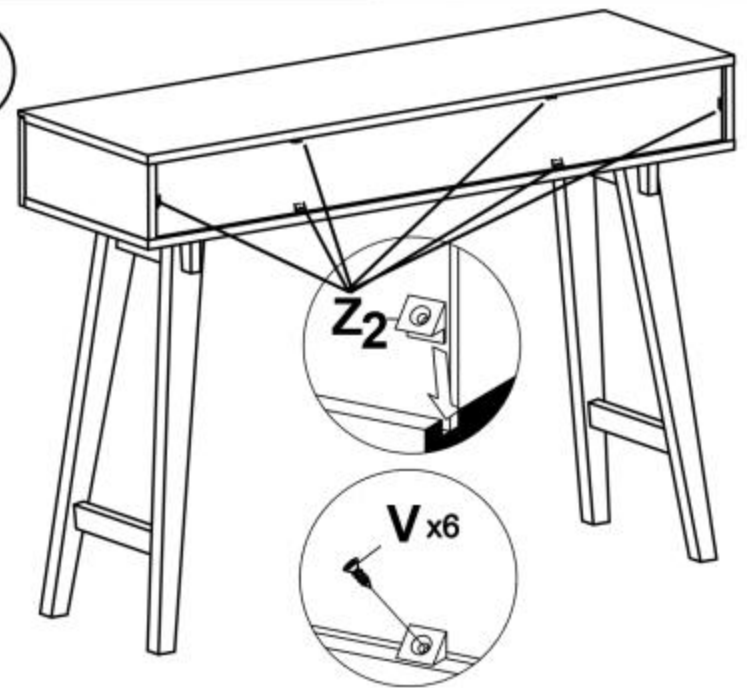
6



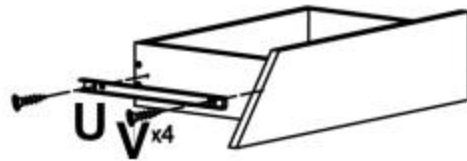
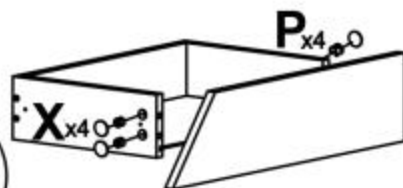
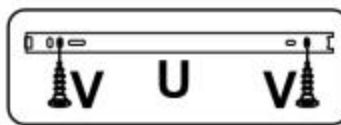
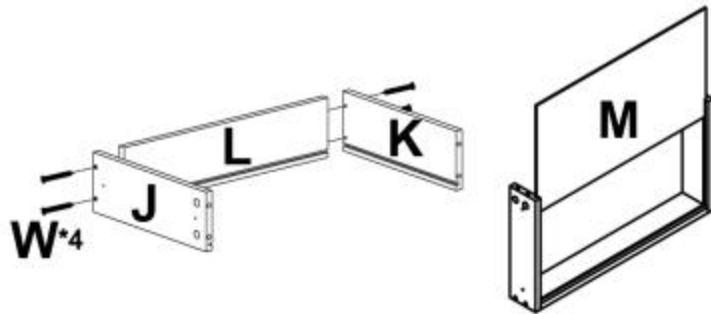
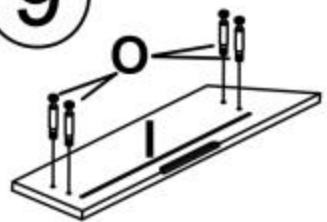
7



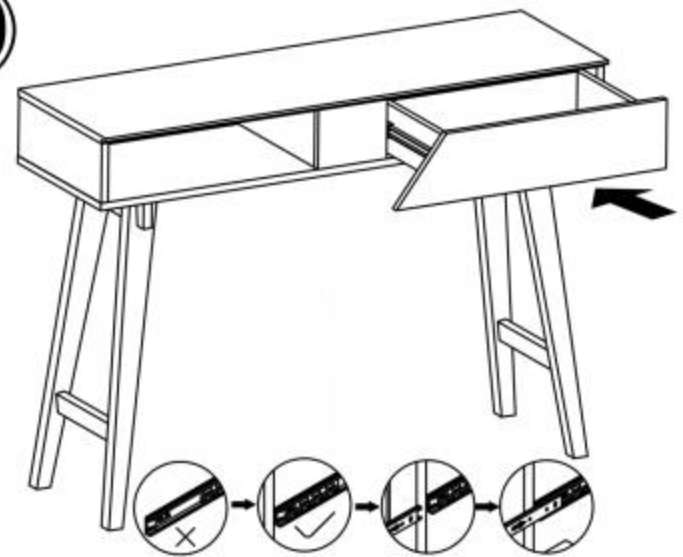
8



9



10



v.1