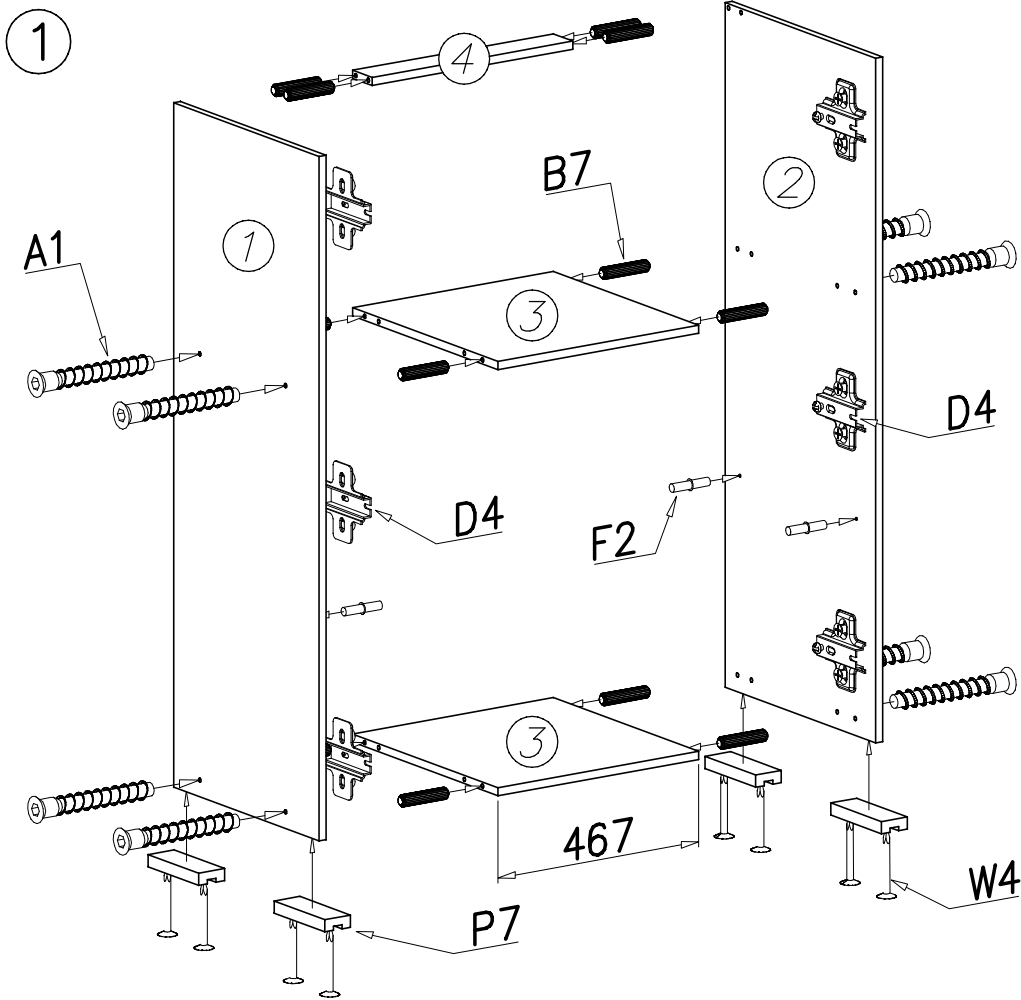
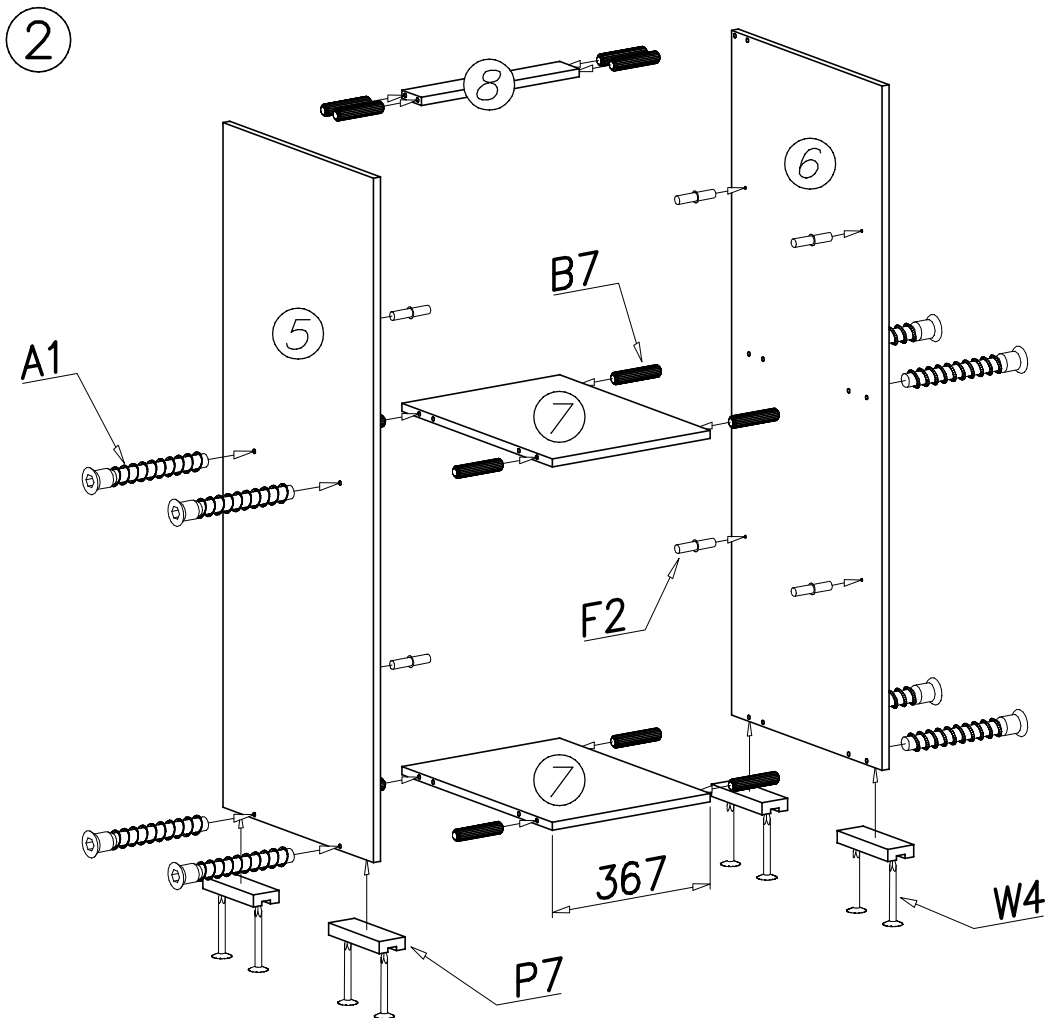


1	1350	483	1/6
2	1350	500	1/6
3	467	483	2/6
4	467	65	2/6
5	1350	500	1/6
6	1350	500	1/6
7	367	483	4/6
8	367	65	2/6
9	770	500	2/6
10	367	483	2/6
11	1064	500	2/6
12	1346	396	3/6
13	1346	496	3/6
14	1350	1064	2/6
23	1350	900	3/6
24	2000	900	4/6
25	2000	300	4/6
26	900	284	2/6
27a	275	284	2/6
27b	275	284	2/6
28	500	284	2/6
29	367	483	2/6
30	467	483	2/6
31A	1341	237	5/6
31B	1341	237	5/6
32	615	361	6/6
33	367	483	4/6



1	1350	483	1/6
2	1350	500	1/6
3	467	483	2/6
4	467	65	2/6

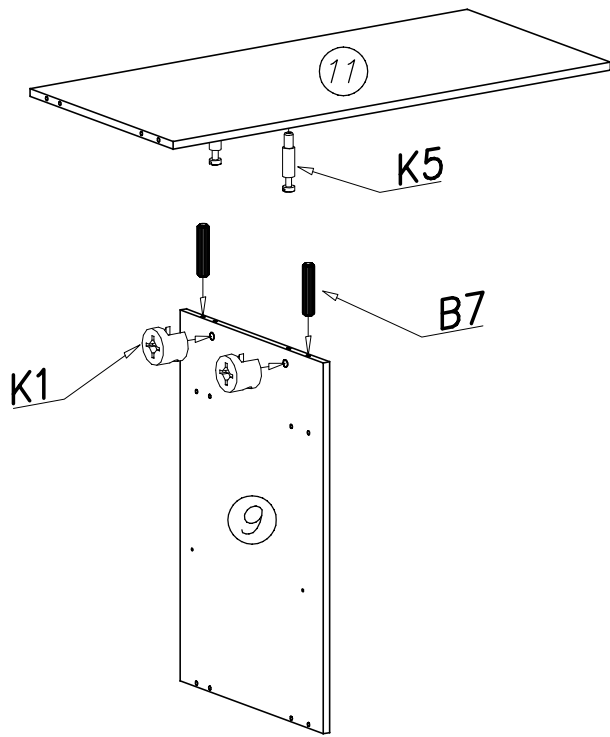
D4		
PZ350D		x6
B7		
∅8x30		x12
A1		
∅7x50		x8
P7		
		x4
W4		
		x8
F2		
		x4


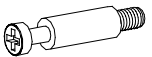



5	1350	500	1/6
6	1350	500	1/6
7	367	483	4/6
8	367	65	2/6

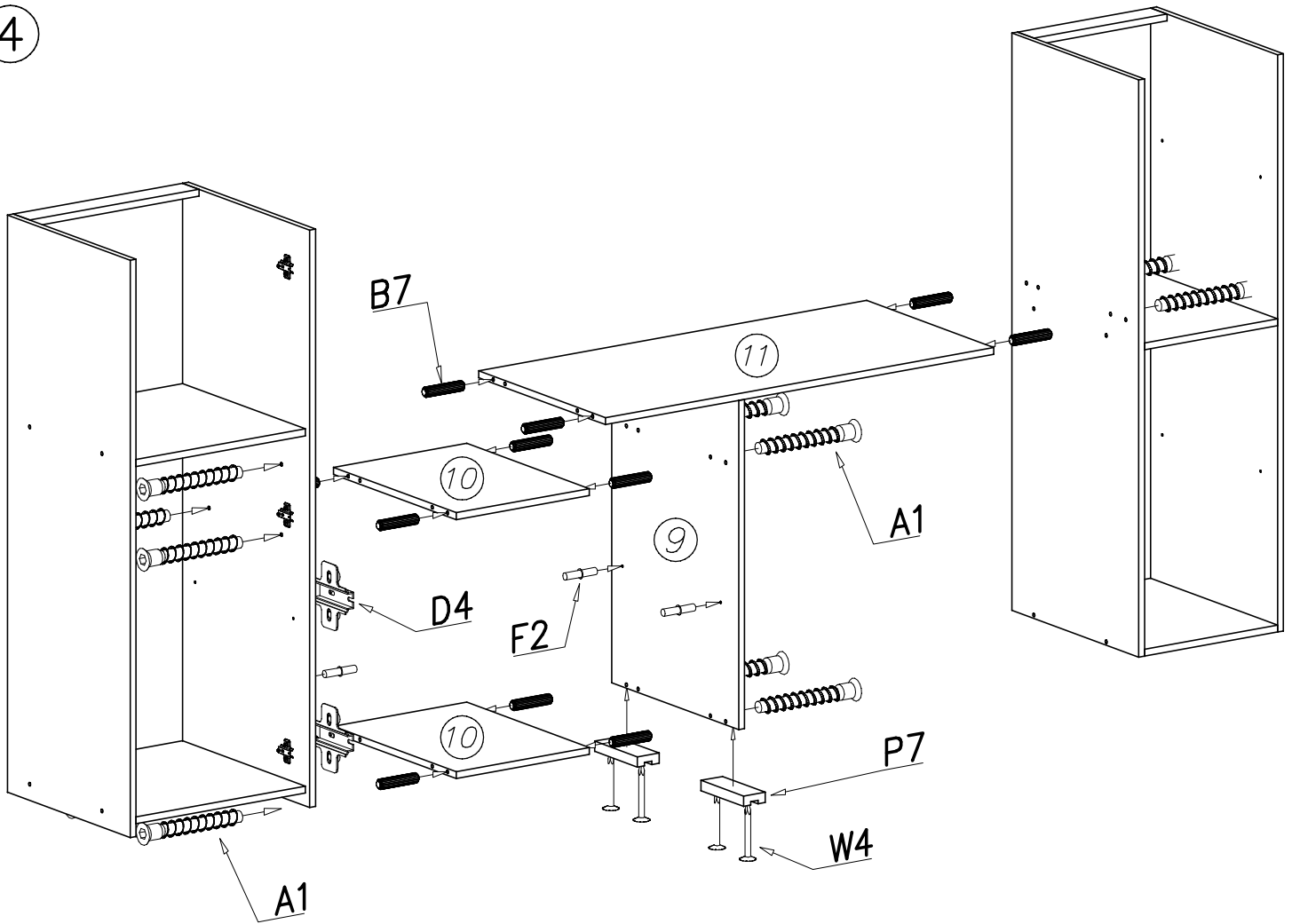
B7		
∅8x30		x12
A1		
∅7x50		x8
P7		
		x4
W4		
		x8
F2		
		x8

3

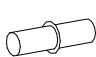
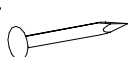

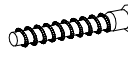




9	770	500	2/6
11	1064	500	2/6
B7			
			
		∅8x30	x2
K5			
			
			x2
K1			
			
		∅15x12	x2

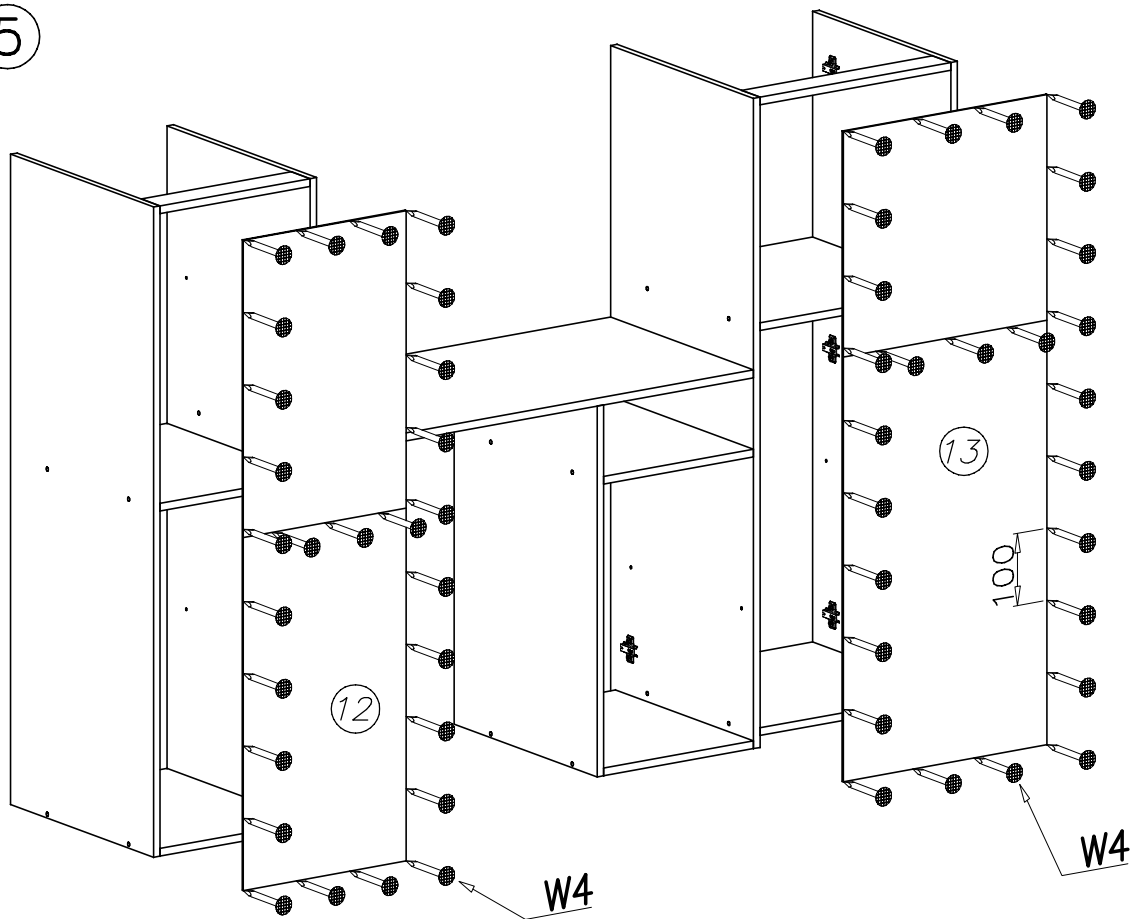
4



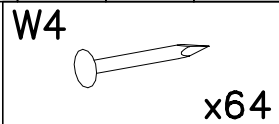
10	367	483	2/6
----	-----	-----	-----

F2		W4		P7		A1		B7		D4	
	x4		x4		x2	∅7x50	x12	∅8x30	x12	PZ350D	x2

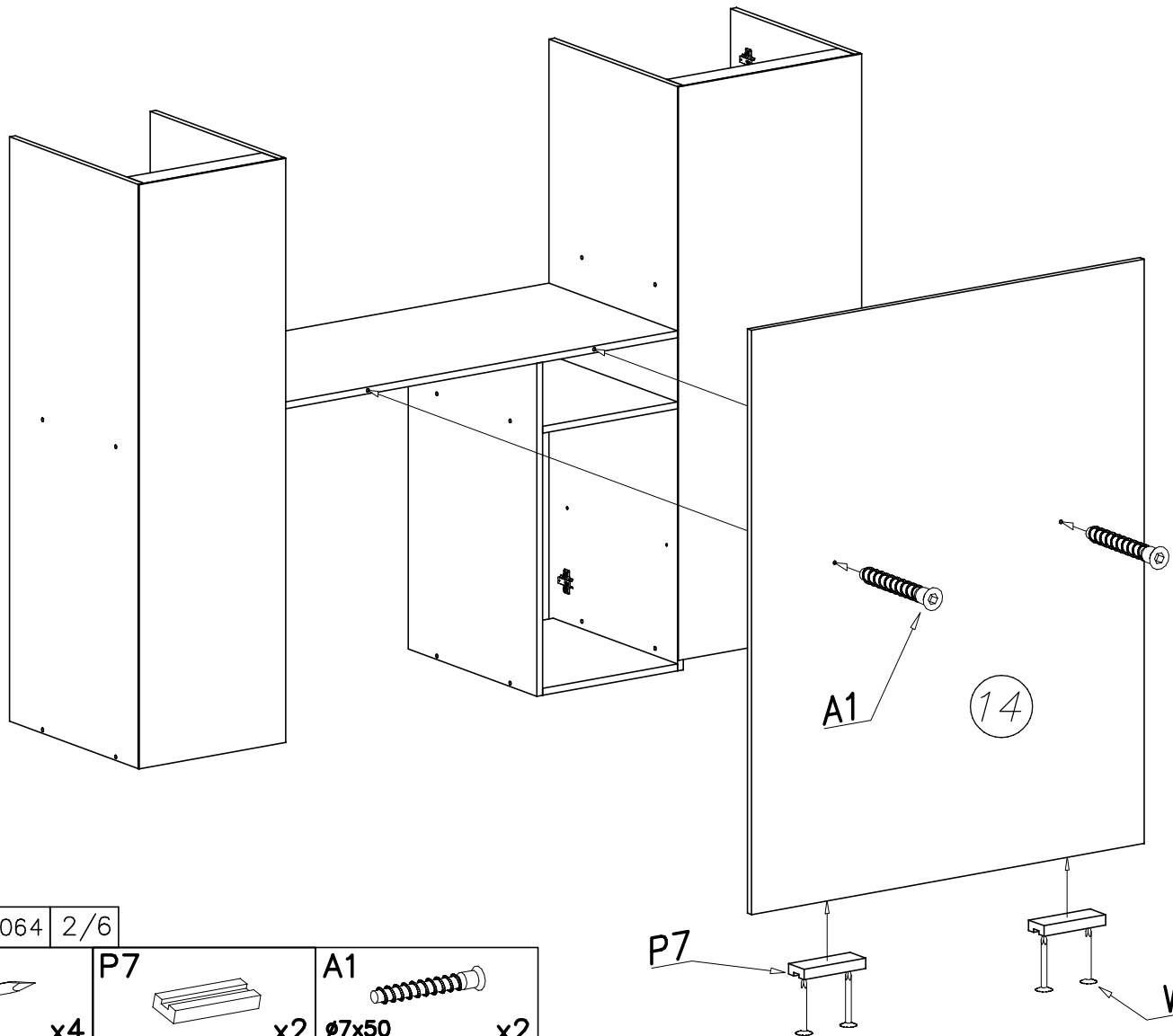
5



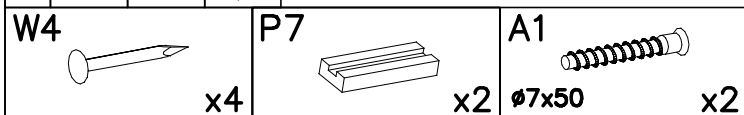
12	1346	396	3/6
13	1346	496	3/6

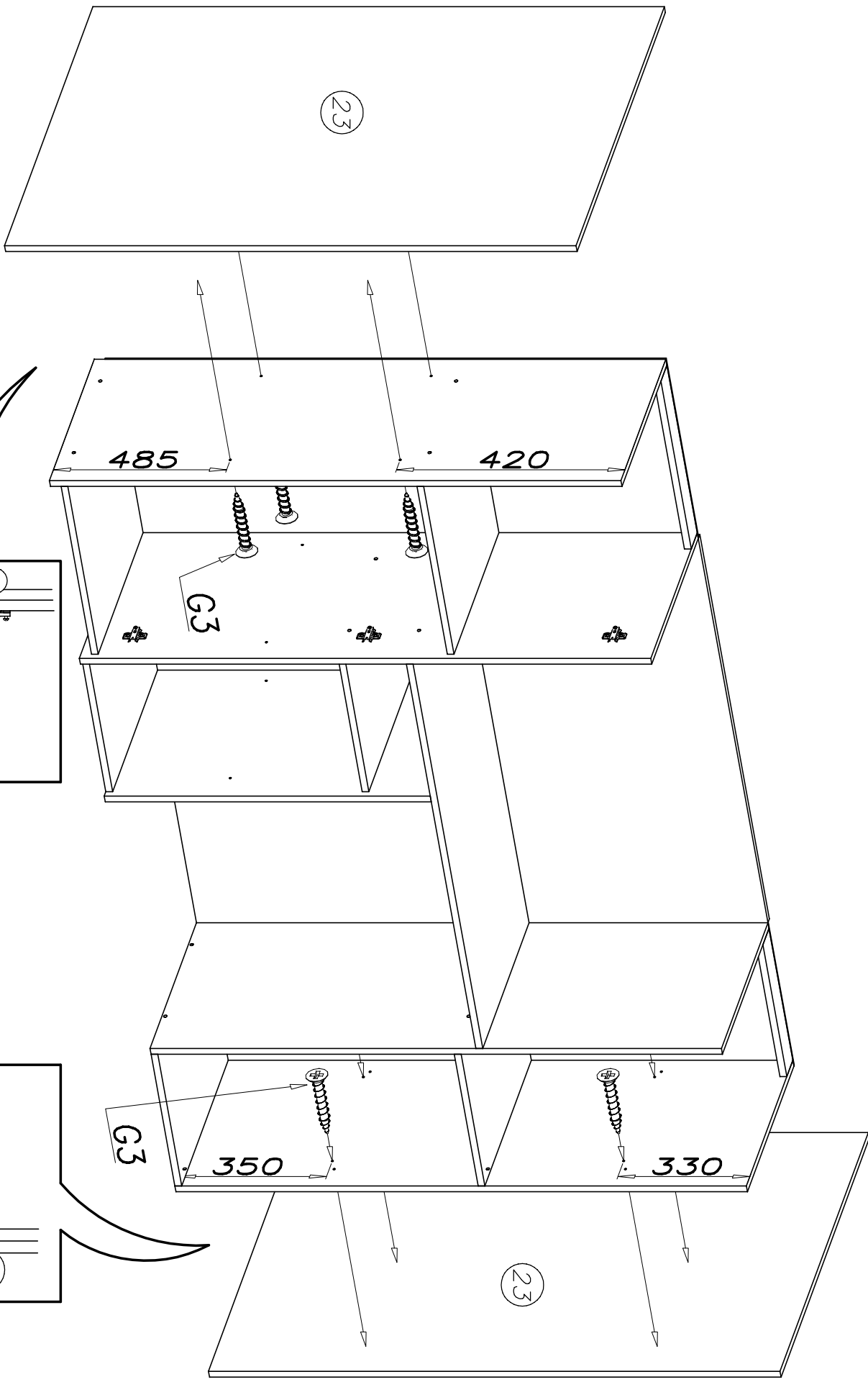


6




14	1350	1064	2/6
----	------	------	-----



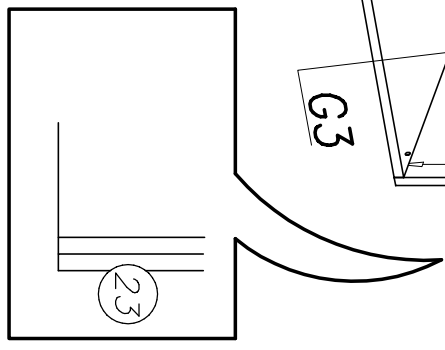
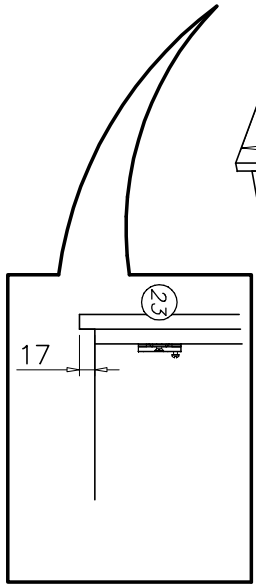


G3



4x30

X8
23
1350
900
3/6



8

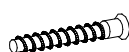
B7



∅8x30

x8

A1



∅7x50

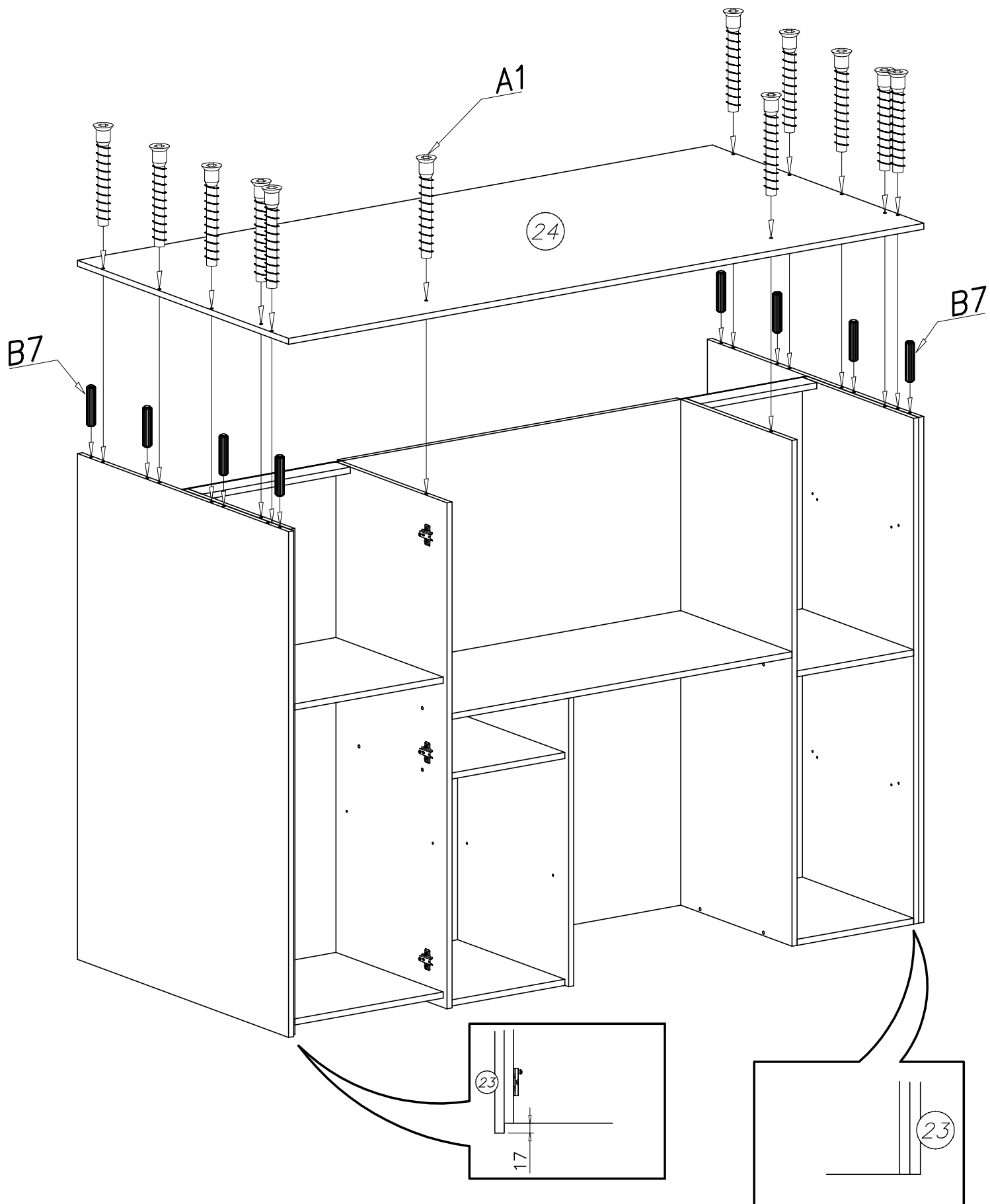
x12

24

2000

900

4/6



9

26 900 284 2/6

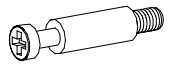
K1



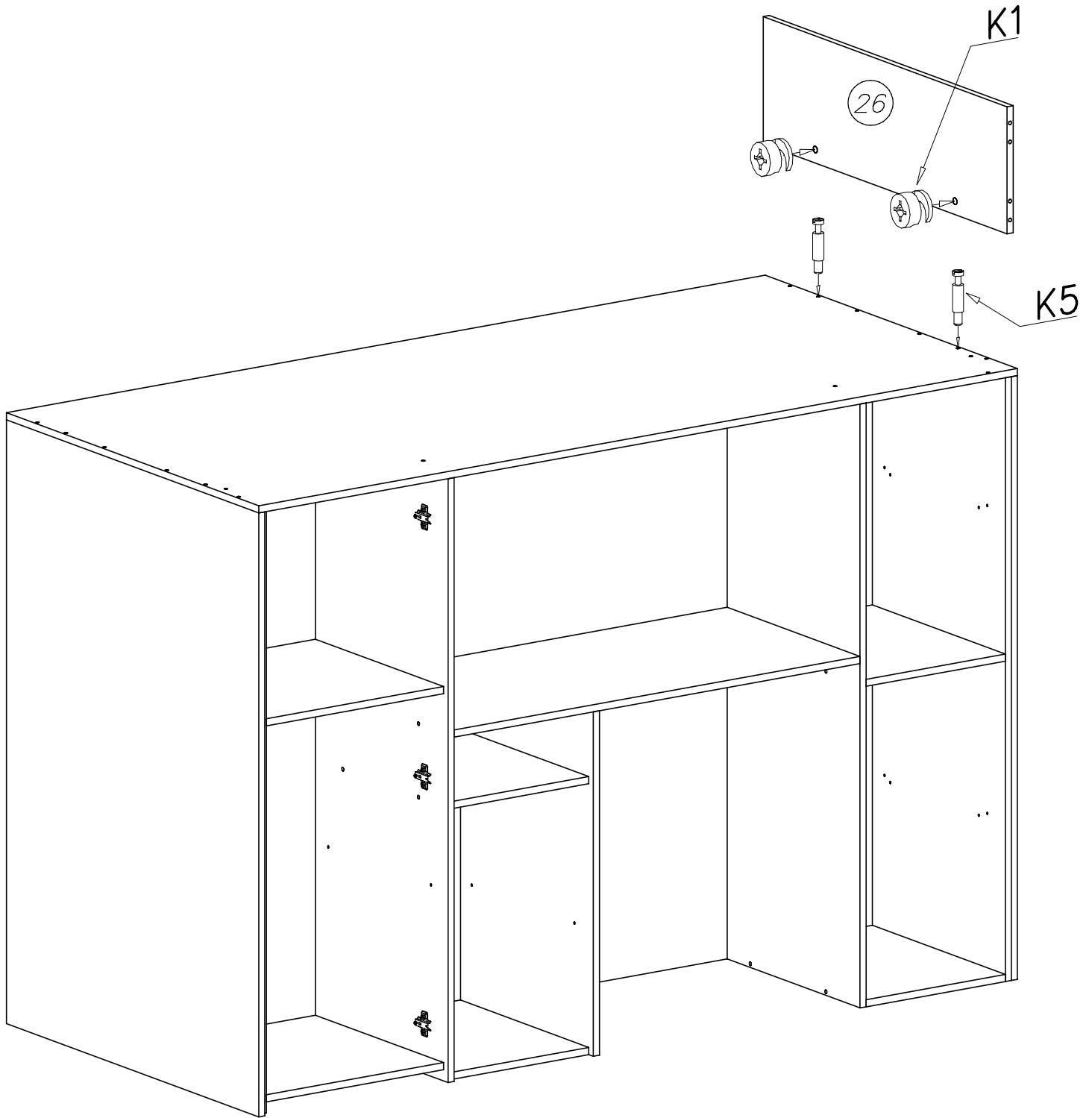
∅15x12

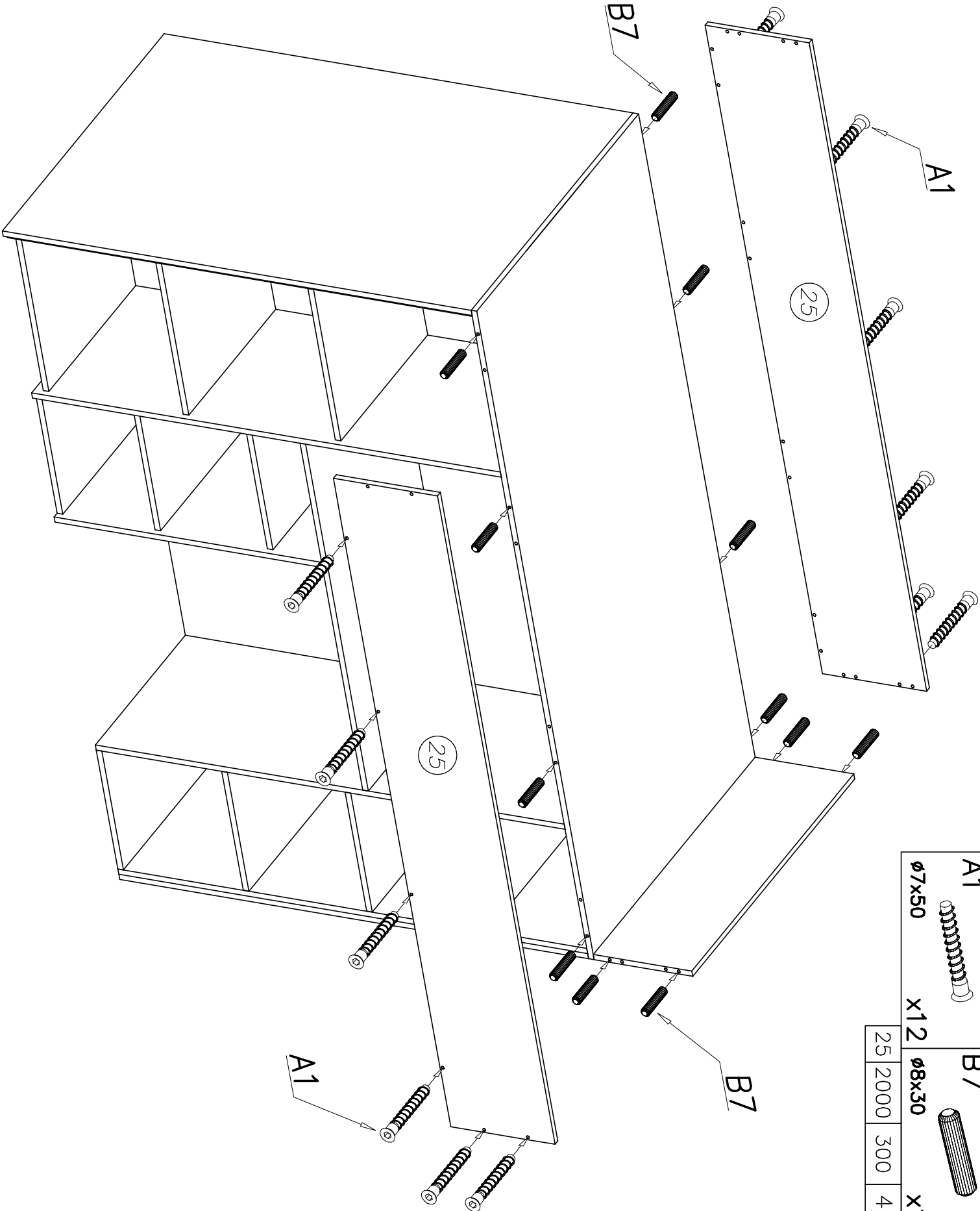
x2



K5

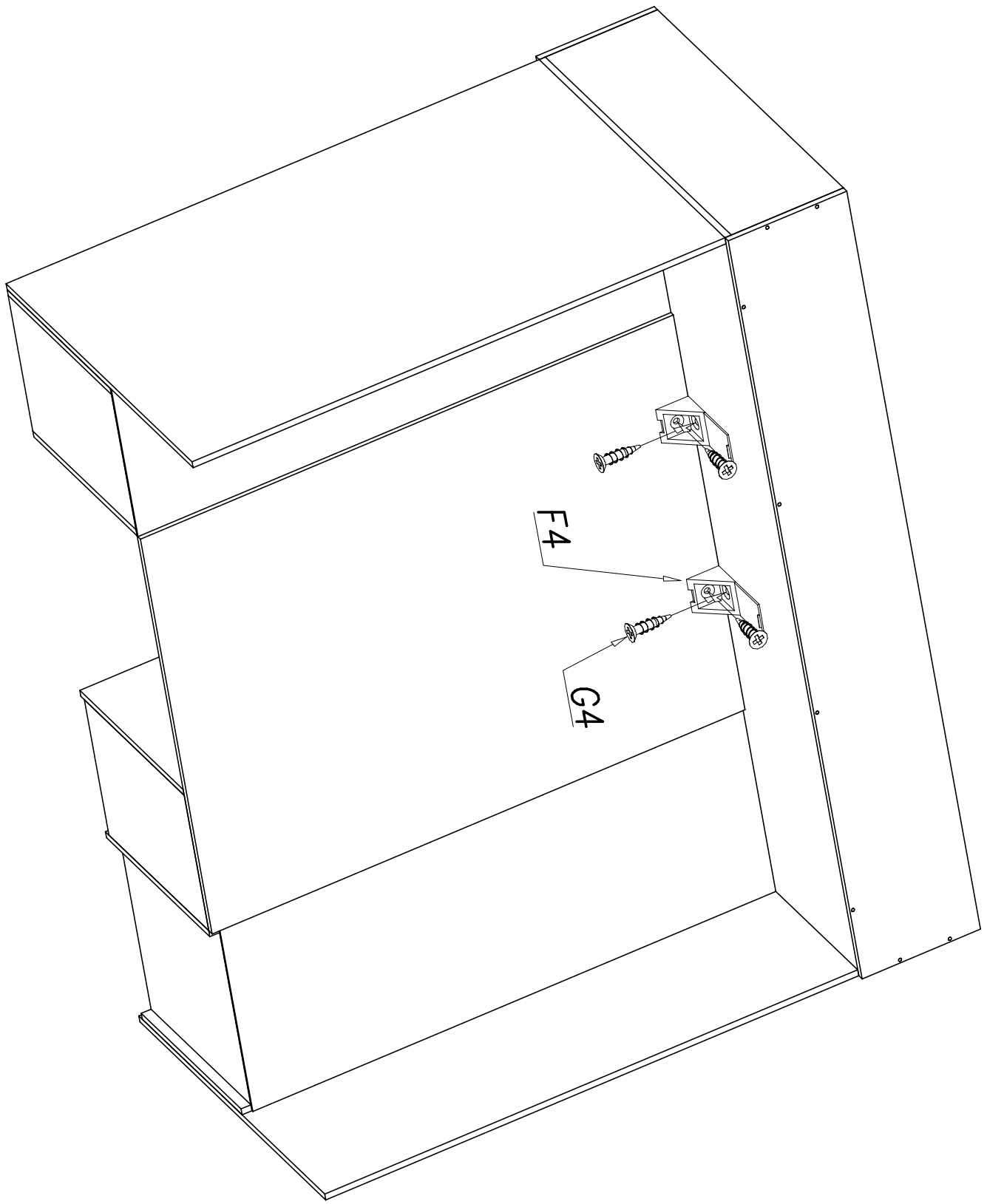


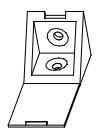

x2

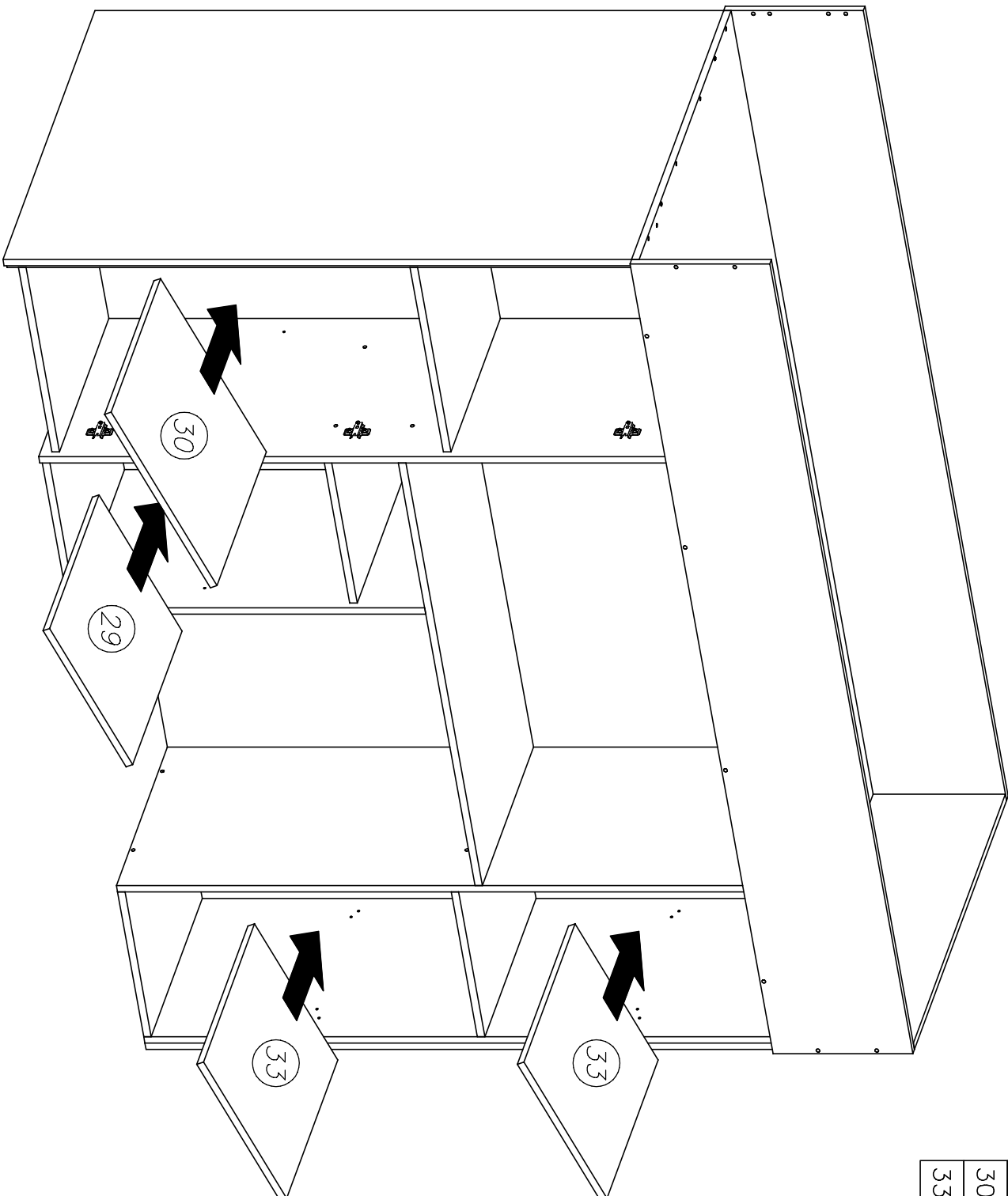




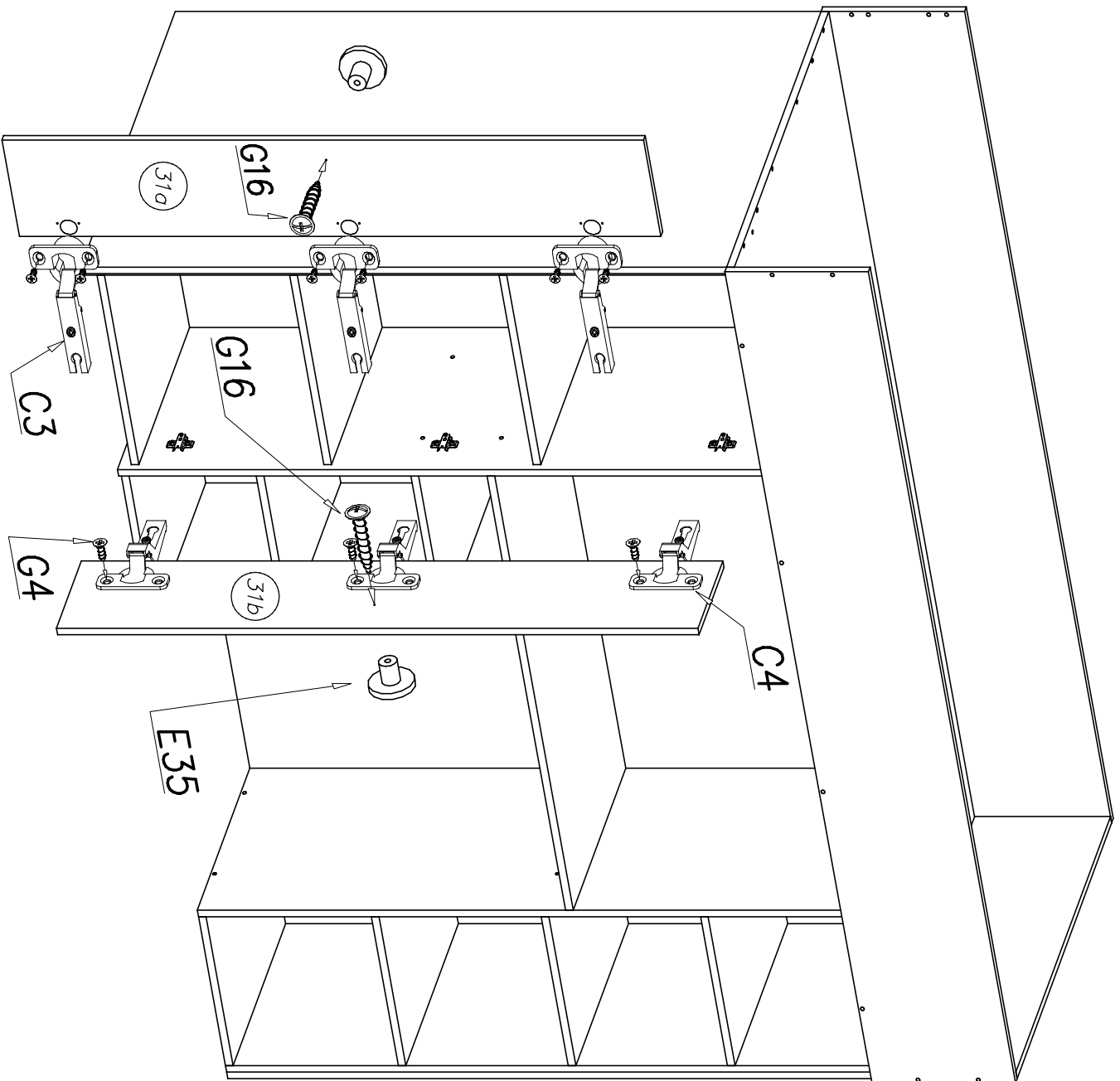
A1		B7	
ø7x50	x12	ø8x30	x12
25	2000	300	4/6



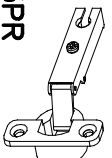
F4		x2
G4		x4
4x16		x4





29	367	483	2/6
30	467	483	2/6
33	367	483	4/6

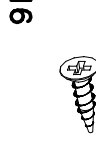



31A	1341	237	5/6
31B	1341	237	5/6

C3

 Z35PR
 x3

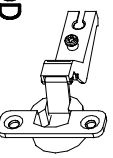
C4

 Z350D
 x3


E35

 x2


G4

 4x16
 x12


G16

 4x25
 x2

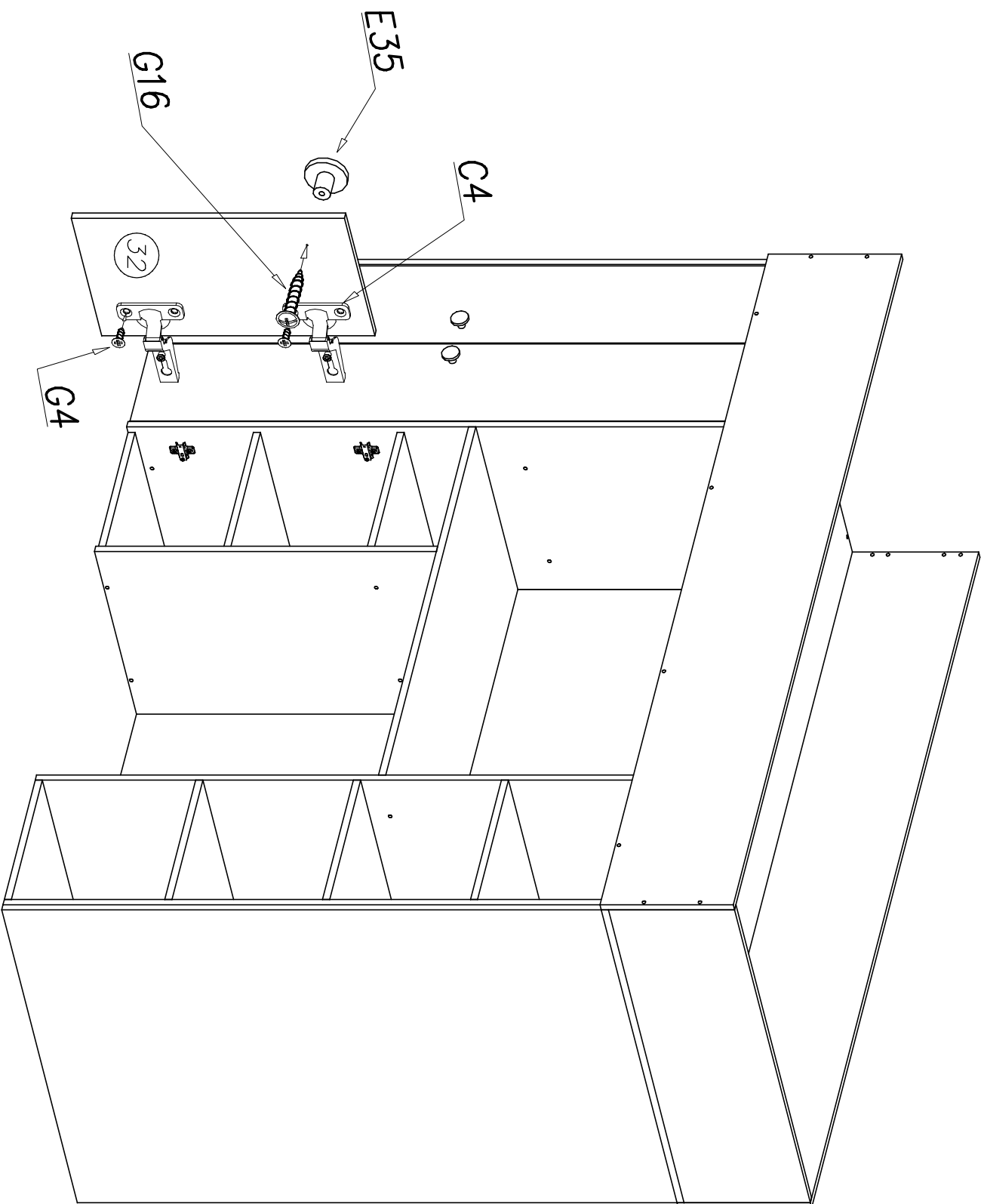
32	615	361	6/6
----	-----	-----	-----

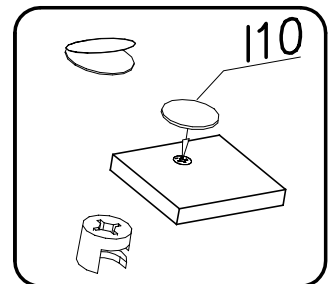
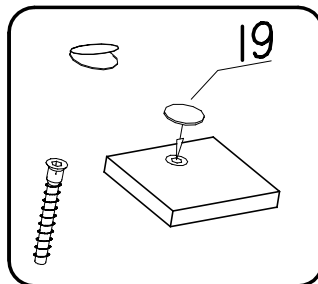
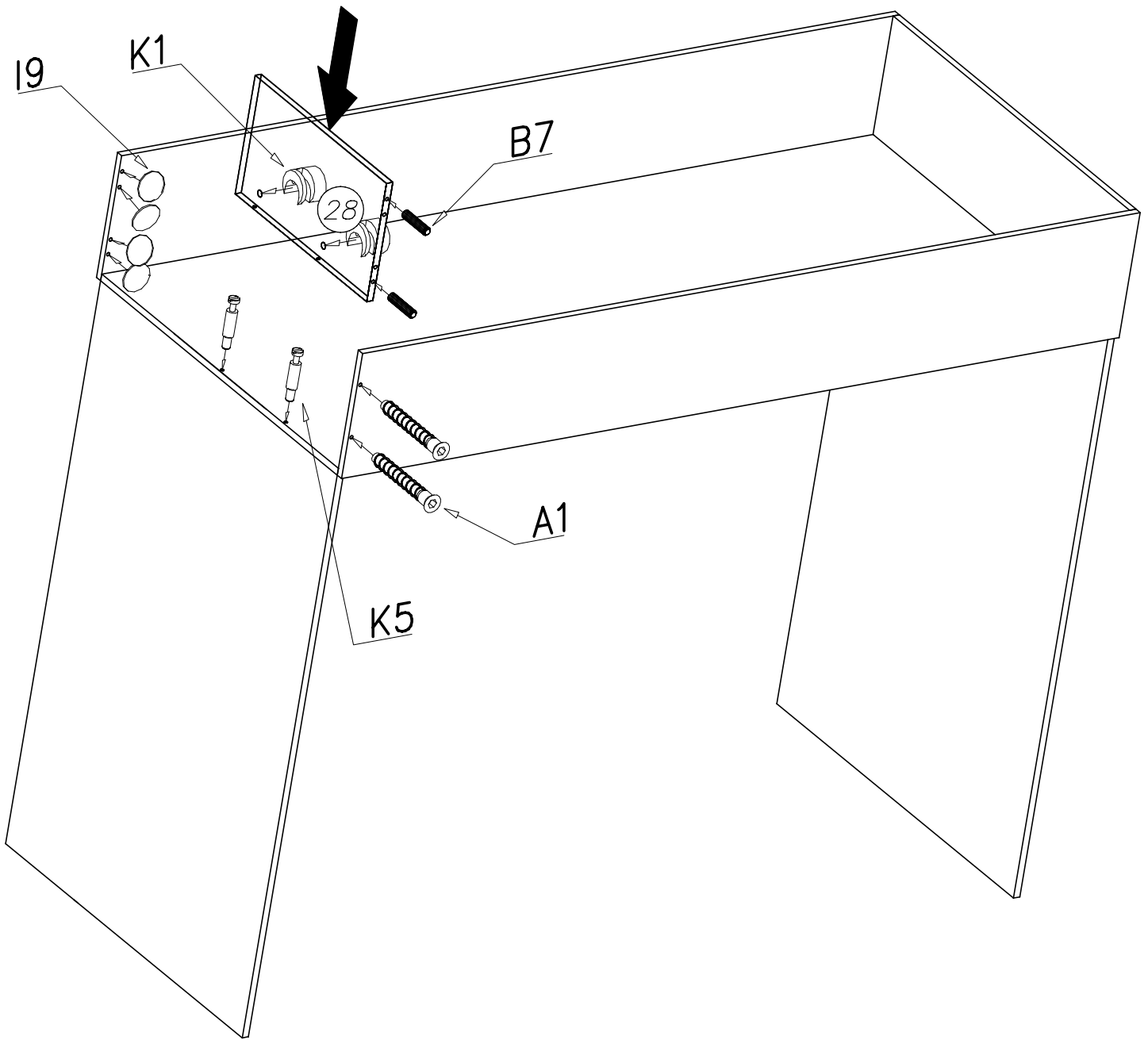
C4
Z350D

x2



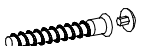



E35

x1

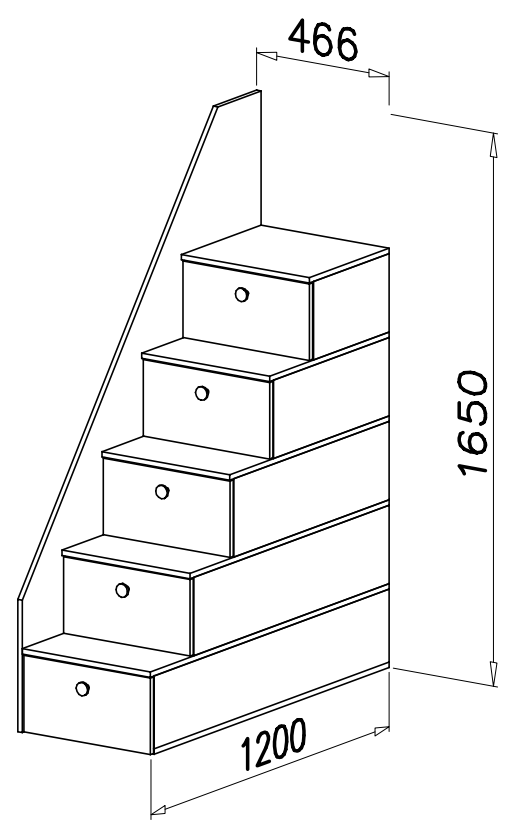
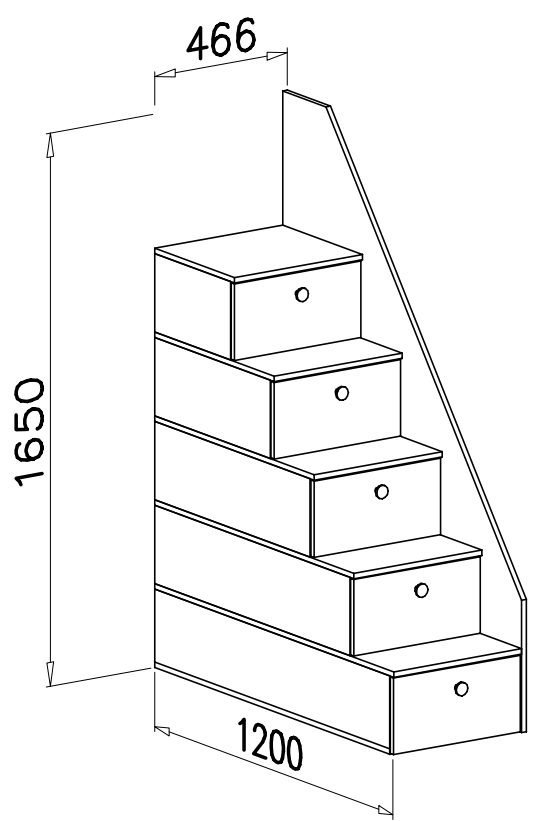
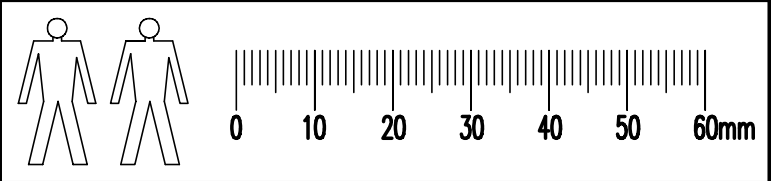
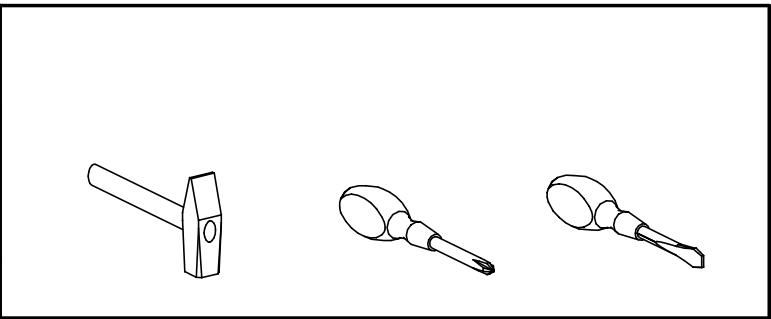
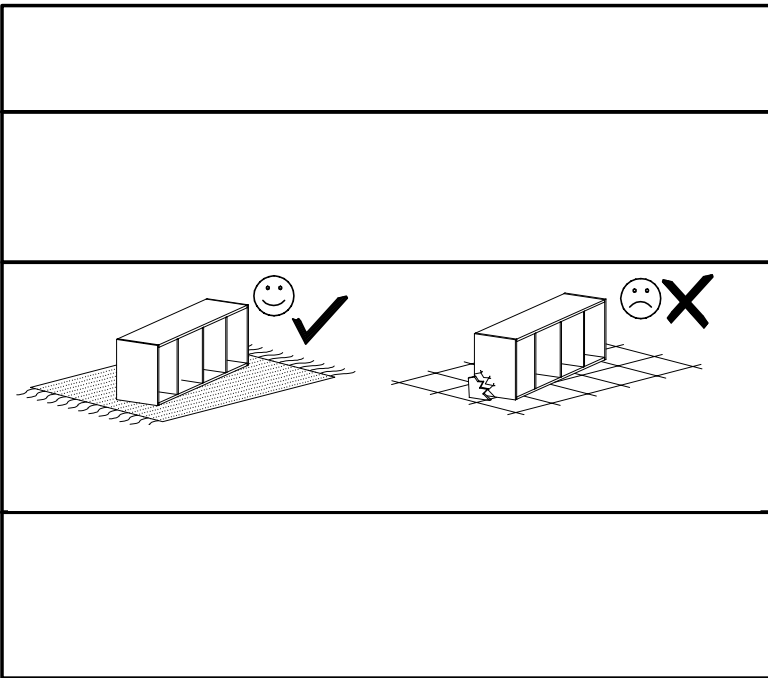
G4
4x16

x4

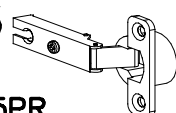

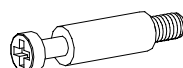
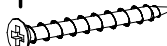



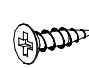

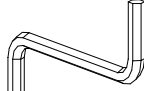
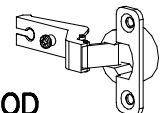

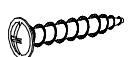



G16
4x25

x1





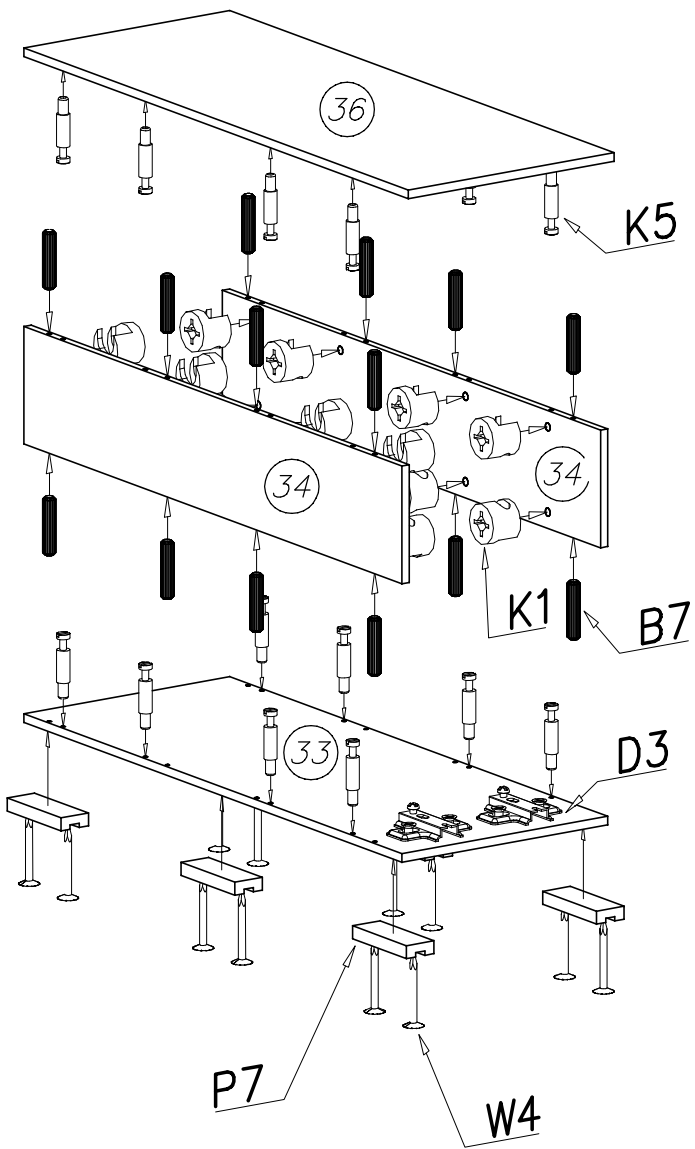
28	500	284	2/6
B7		K5	
∅8x30	x2	x2	x2
A1		K1	
∅7x50	x2	∅15x12	x2
		I9	
		x58	
		I10	
		x4	



				C3  Z35PR x2
B7  ∅8x30 x58	K5  x58	G14  3,5x55 x4	I9  x13	I10  x58
A1  ∅7x50 x5	G4  4x16 x20	K1  ∅15x12 x58	W2  4mm x1	C4  Z350D x8
P7  x8	G16  4x25 x5	E35  x5	W4  x16	D4  PZ350D x10

1

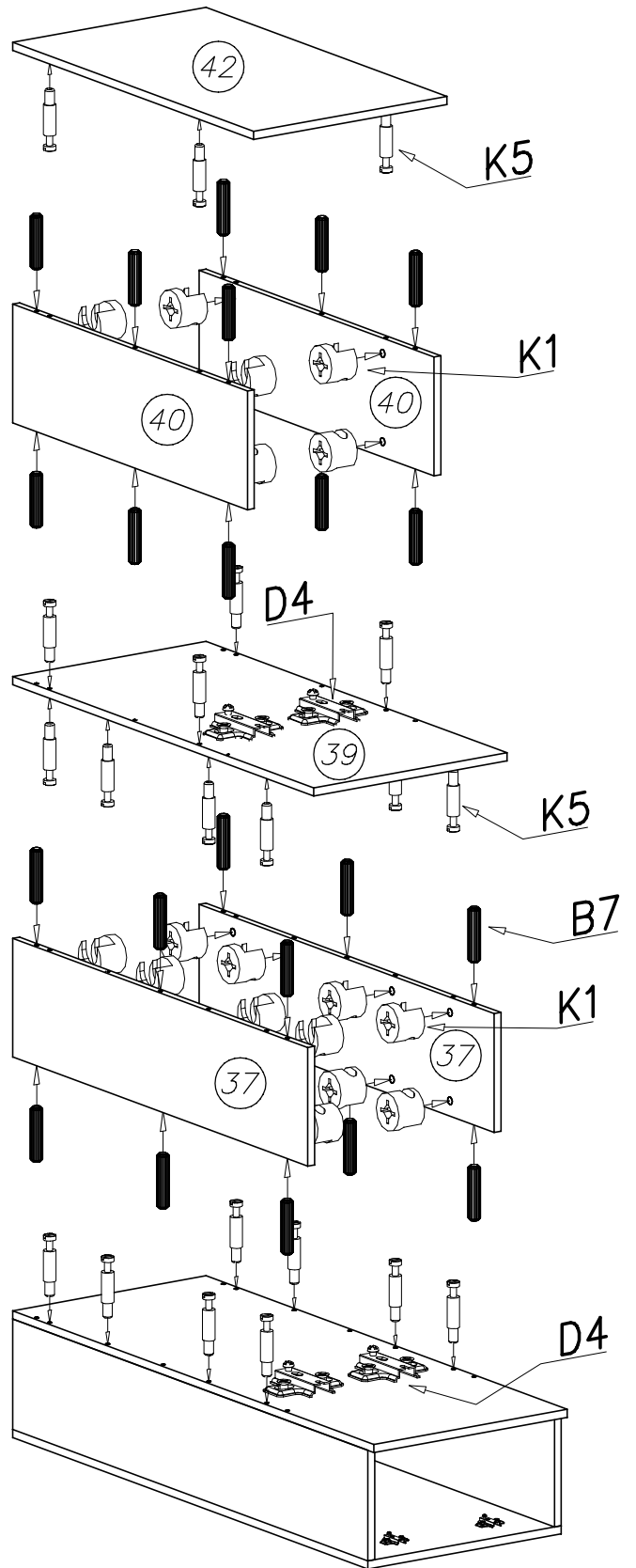
33	1180	450
34	1180	218
36	1200	450



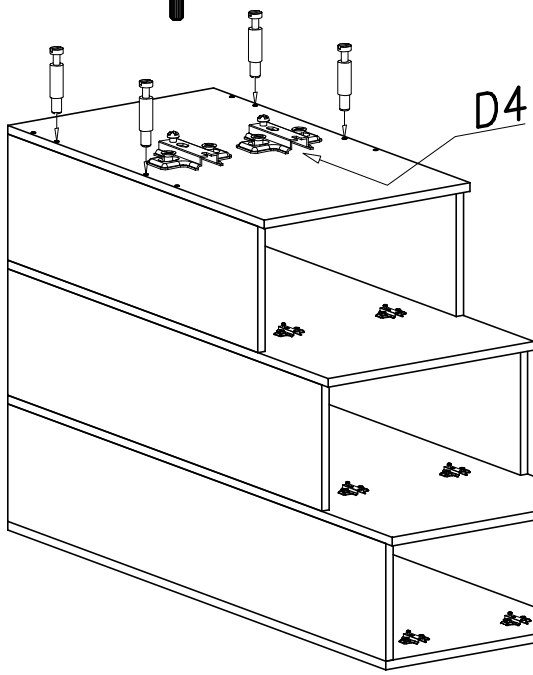
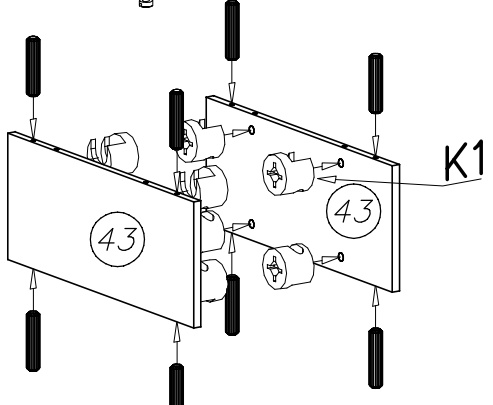
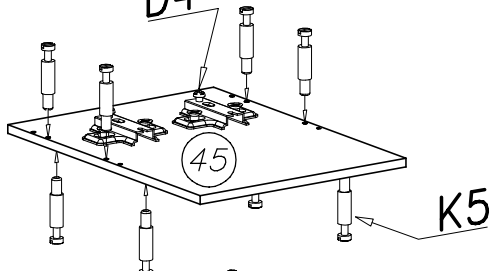
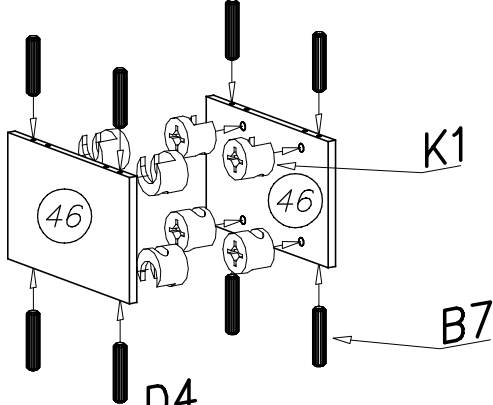
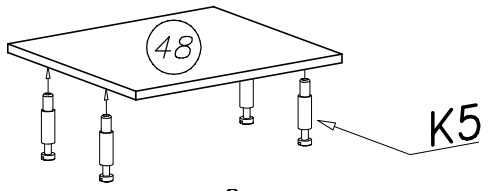
2

37	980	234
39	1000	450

40	780	234
42	800	450



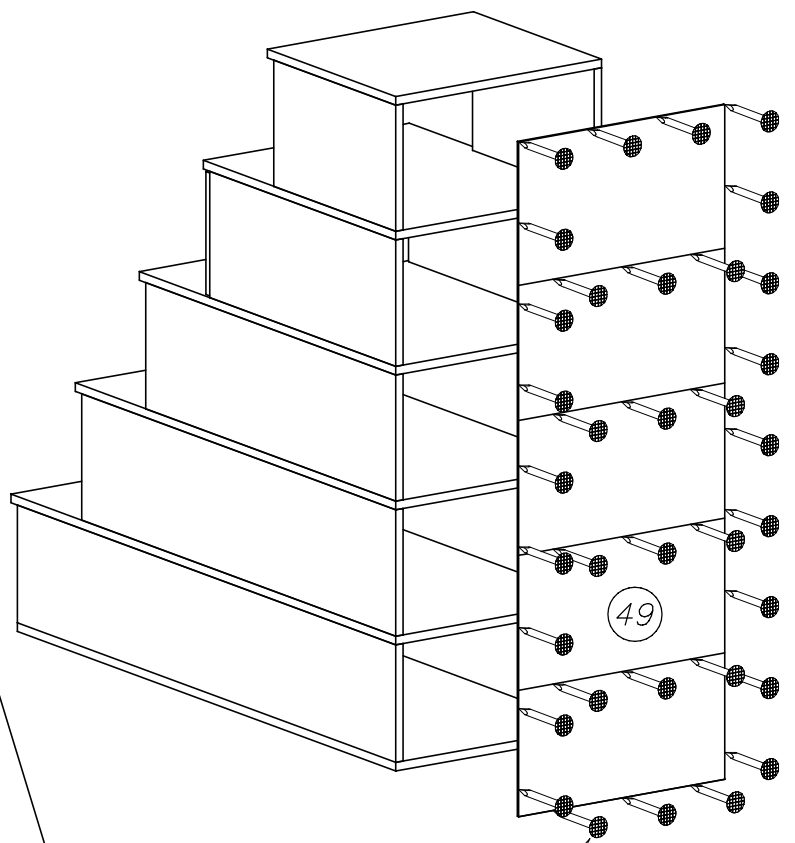
3



43	580	234
45	600	450

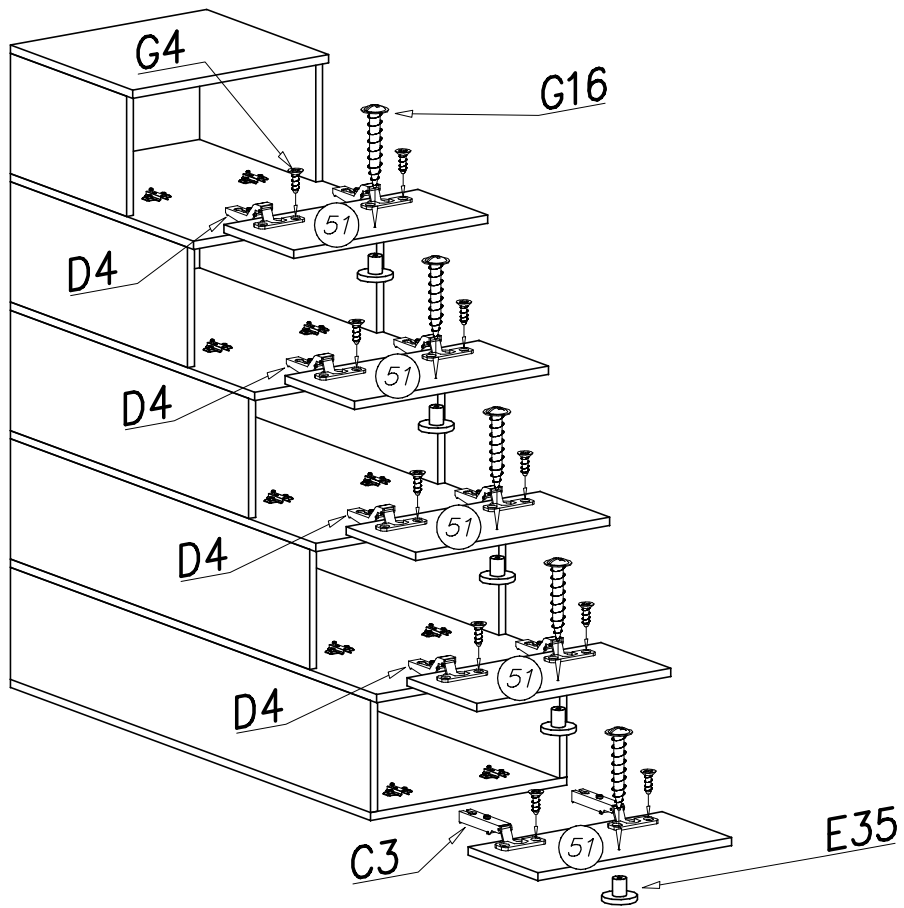
46	380	234
48	400	450

4

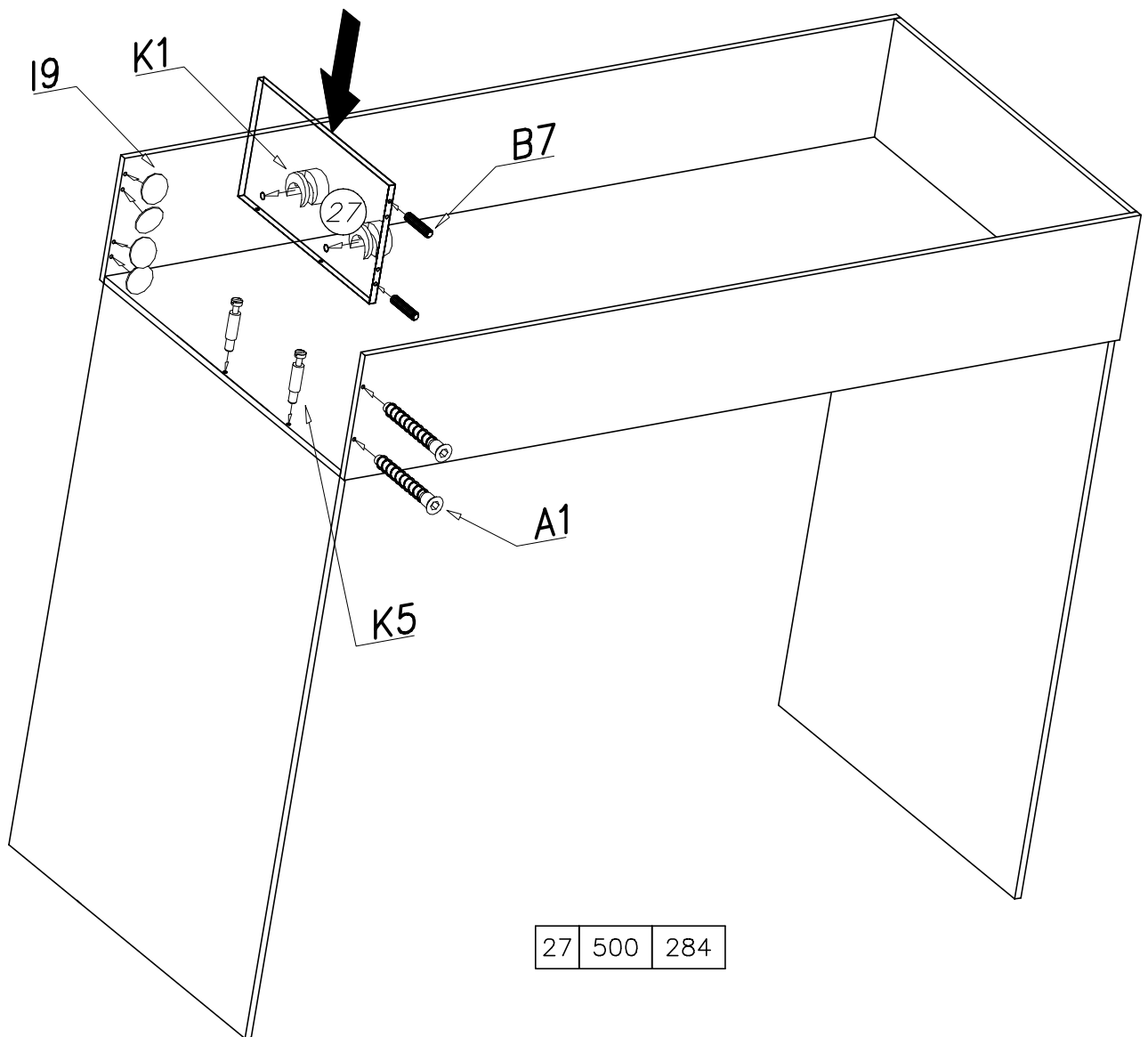


W4

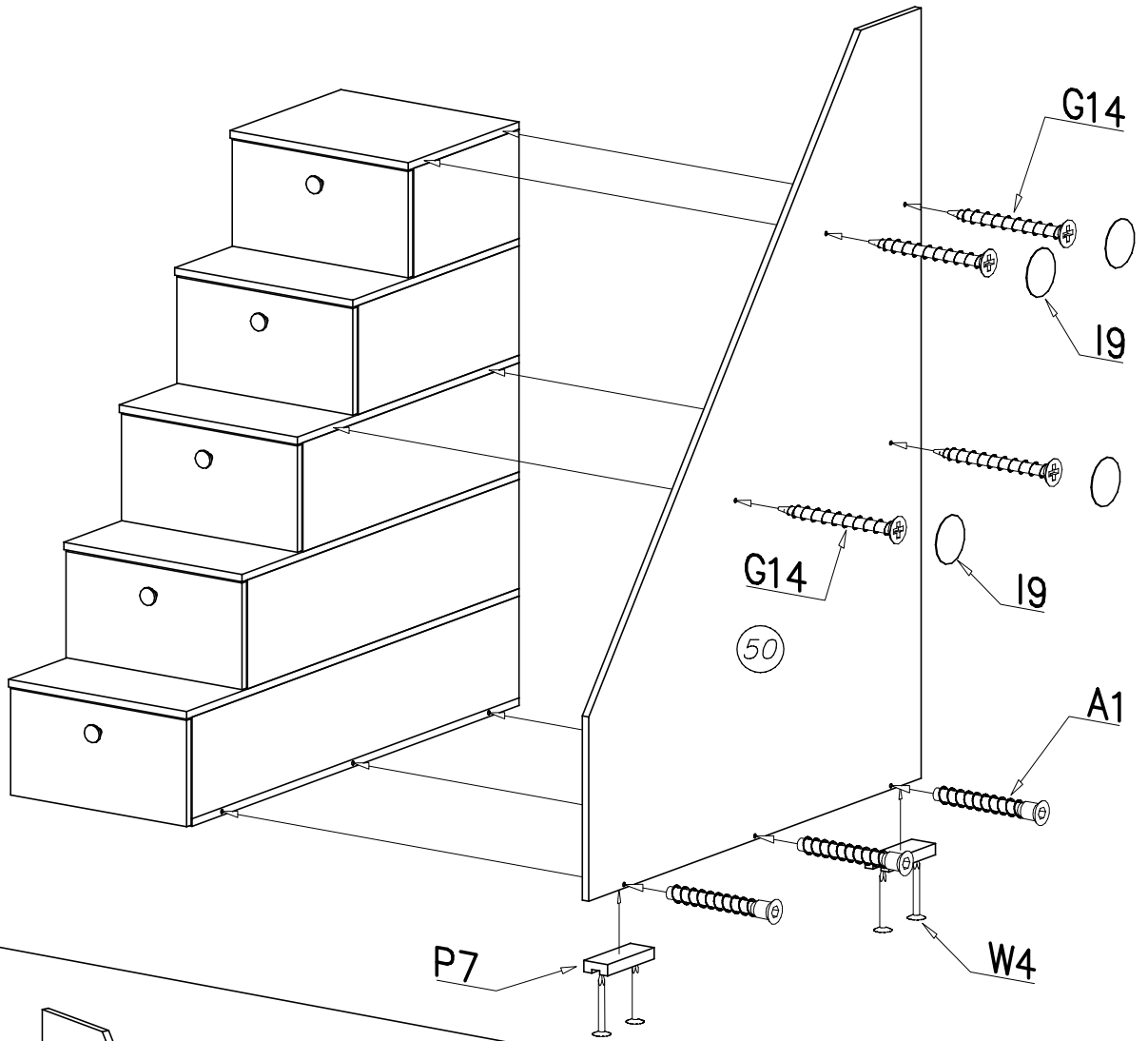
5



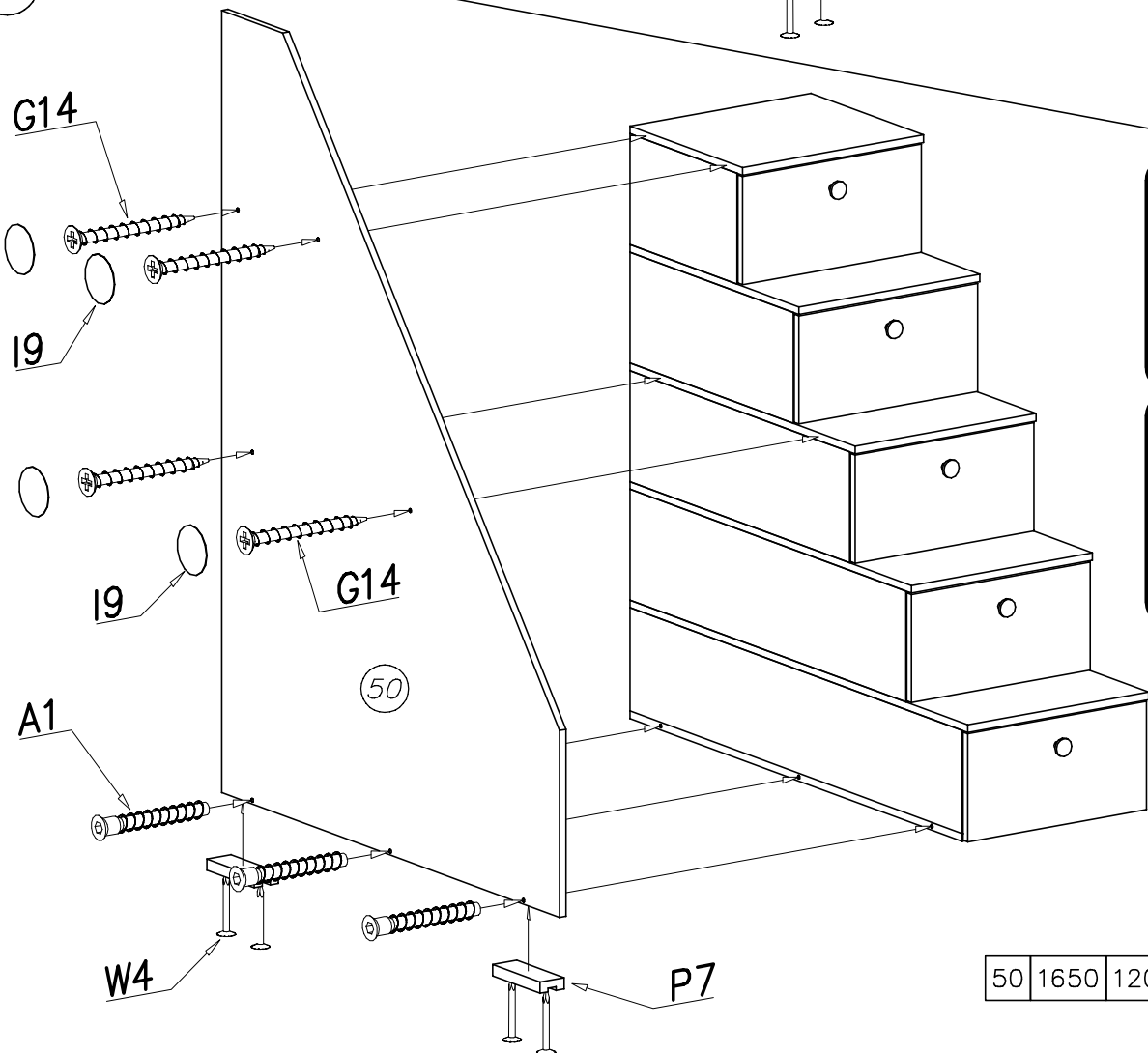
6



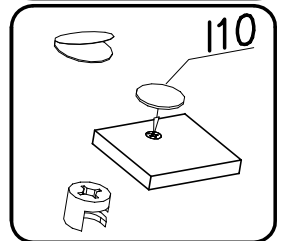
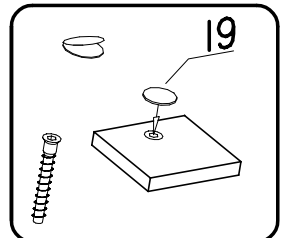
7



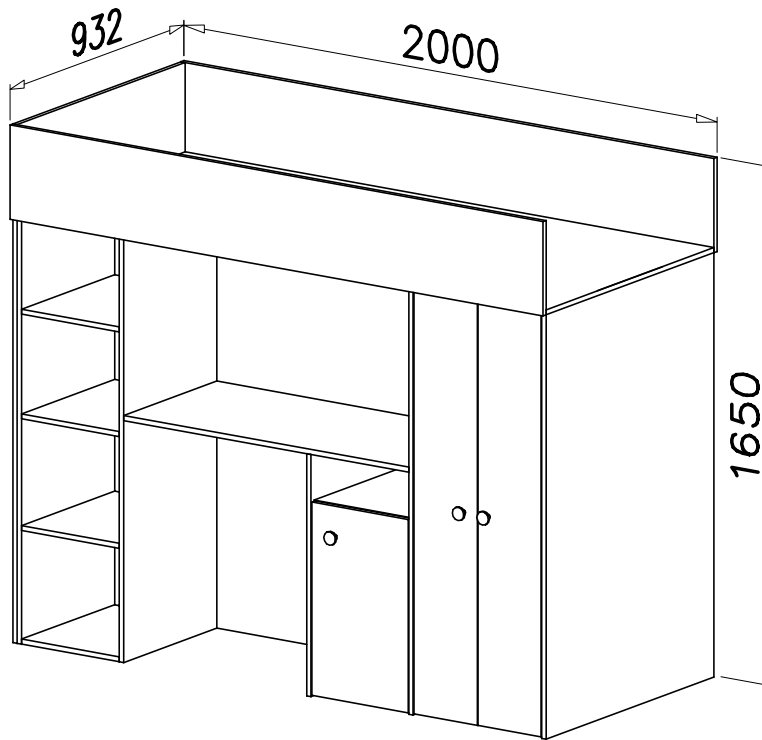
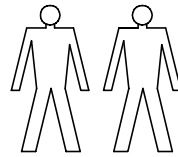
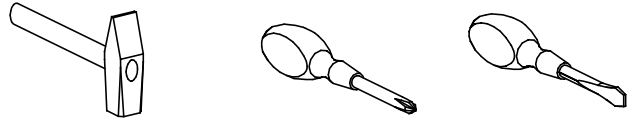
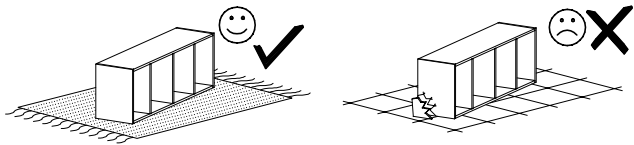
7



50	1650	1200
----	------	------



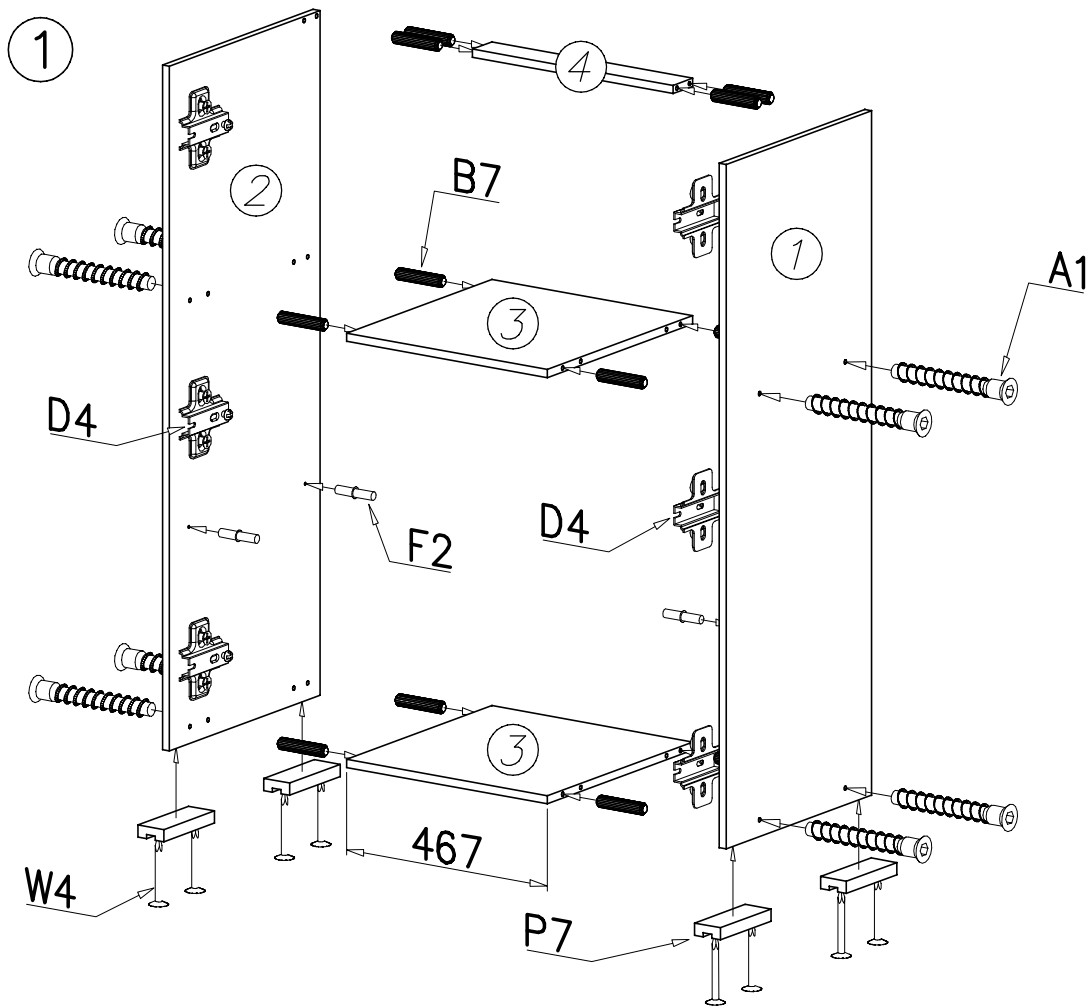
50	1650	1200
----	------	------



I9		x58
I10		x4
C3		x3
Z35PR		

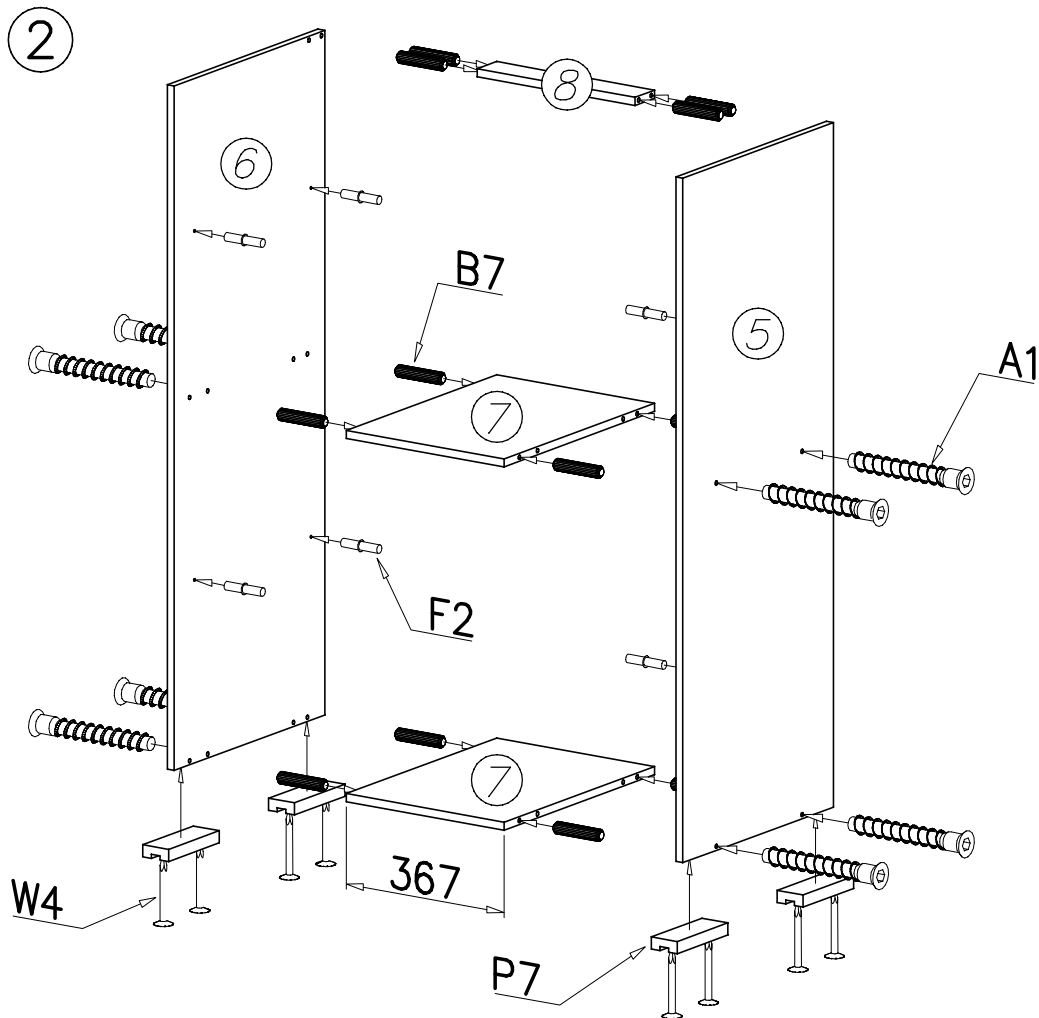
B7 ø8x30 x58	K5 x4	K1 ø15x12 x4	W2 4mm x1	F2 x16
A1 ø7x50 x54	G4 4x16 x20	G3 4x30 x8	F4 x2	C4 Z350D x5
P7 x16	G16 4x25 x3	E35 x3	W4 x96	D4 PZ350D x8

1	1350	483	1/6
2	1350	500	1/6
3	467	483	2/6
4	467	65	2/6
5	1350	500	1/6
6	1350	500	1/6
7	367	483	4/6
8	367	65	2/6
9	770	500	2/6
10	367	483	2/6
11	1064	500	2/6
12	1346	396	3/6
13	1346	496	3/6
14	1350	1064	2/6
23	1350	900	3/6
24	2000	900	4/6
25	2000	300	4/6
26	900	284	2/6
27a	275	284	2/6
27b	275	284	2/6
28	500	284	2/6
29	367	483	2/6
30	467	483	2/6
31A	1341	237	5/6
31B	1341	237	5/6
32	615	361	6/6
33	367	483	4/6



1	1350	483	1/6
2	1350	500	1/6
3	467	483	2/6
4	467	65	2/6

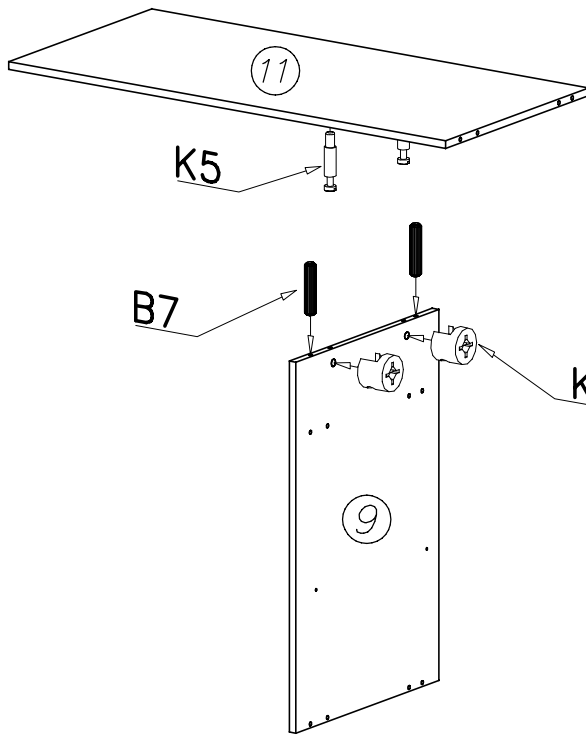
D4		x6
PZ350D		
B7		x12
ø8x30		
A1		x8
ø7x50		
P7		x4
W4		x8
F2		x4


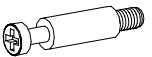



5	1350	500	1/6
6	1350	500	1/6
7	367	483	4/6
8	367	65	2/6

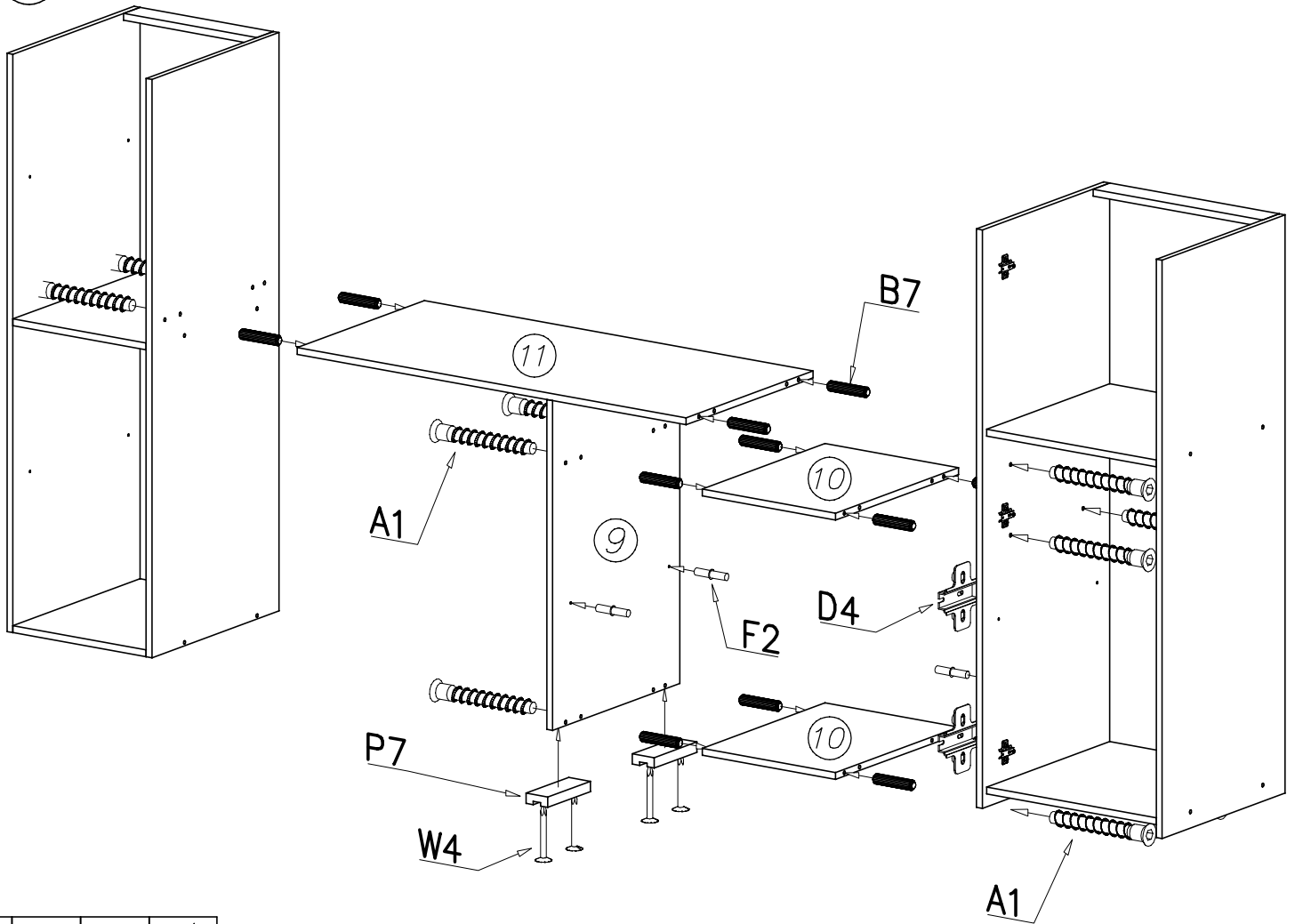
B7		x12
ø8x30		
A1		x8
ø7x50		
P7		x4
W4		x8
F2		x8

3

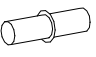
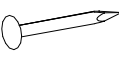

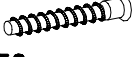




9	770	500	2/6
11	1064	500	2/6
B7			
			
		∅8x30	x2
K5			
			
			x2
K1			
			
		∅15x12	x2

4

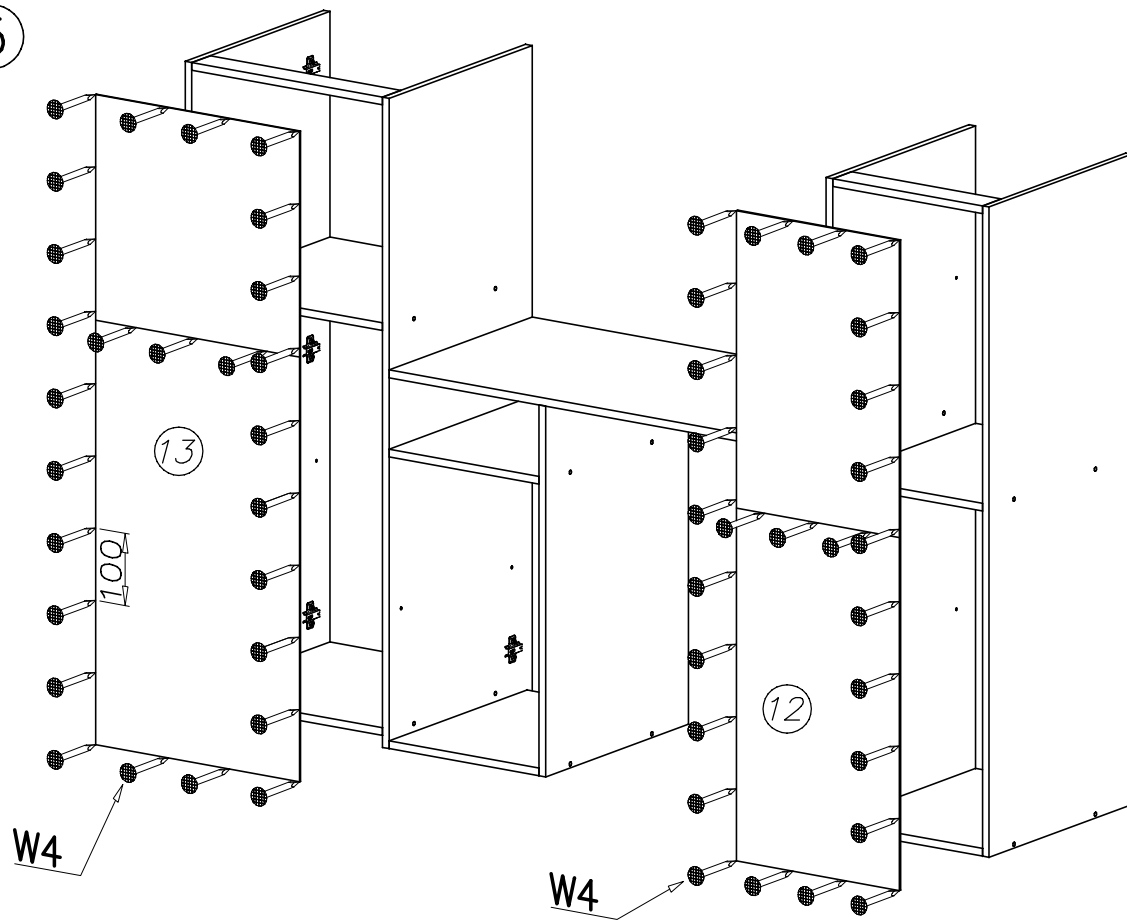


10	367	483	2/6
----	-----	-----	-----

F2		W4		P7		A1		B7		D4	
	x4		x4		x2	∅7x50	x12	∅8x30	x12	PZ350D	x2

12	1346	396	3/6
13	1346	496	3/6

5

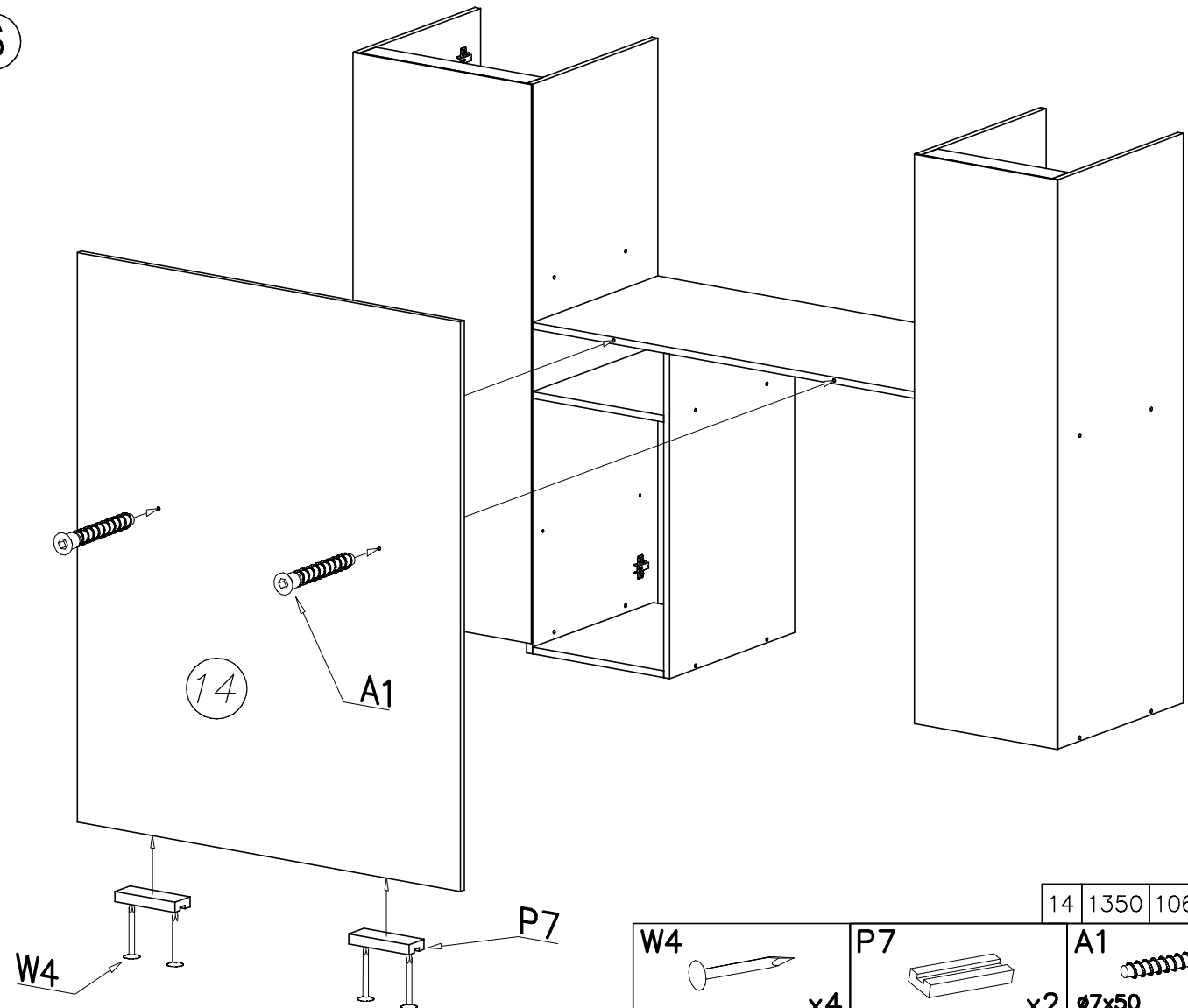


W4



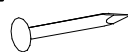
x64

6



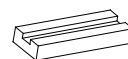
14	1350	1064	2/6
----	------	------	-----

W4



x4

P7



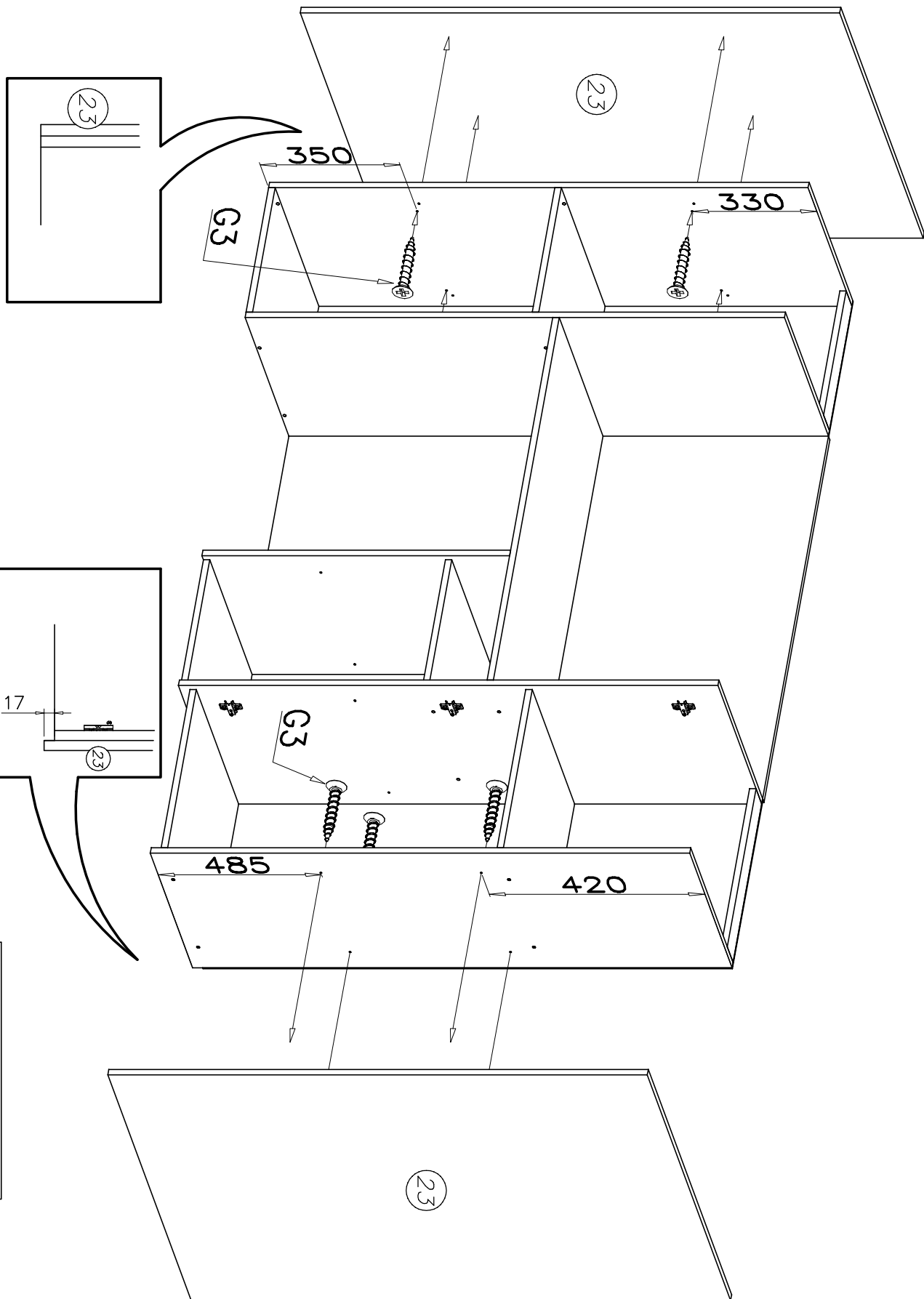
x2


A1



ø7x50

x2




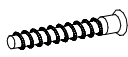
G3
4x30

X8

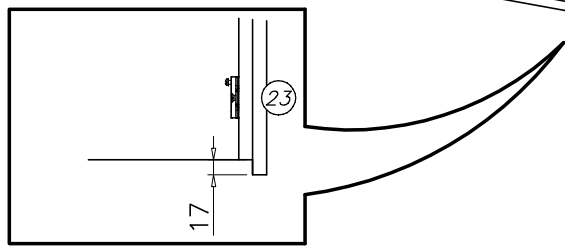
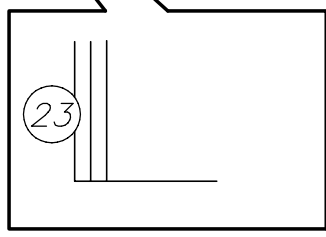
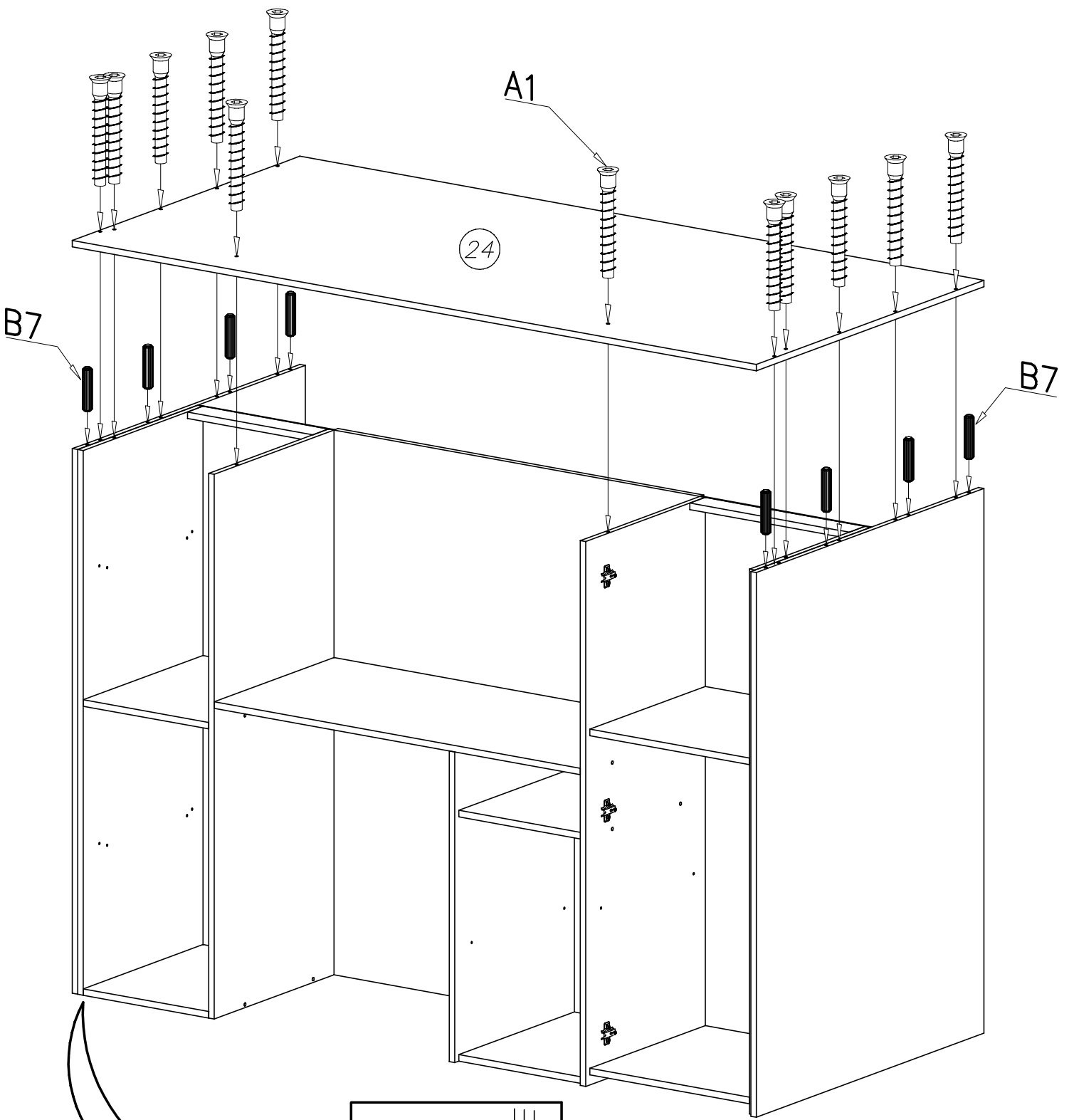
23	1350	900	3/6
----	------	-----	-----

8

24 2000 900 4/6

B7 
ø8x30 x8

A1 
ø7x50 x12



9

26 900 284 2/6

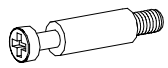
K1



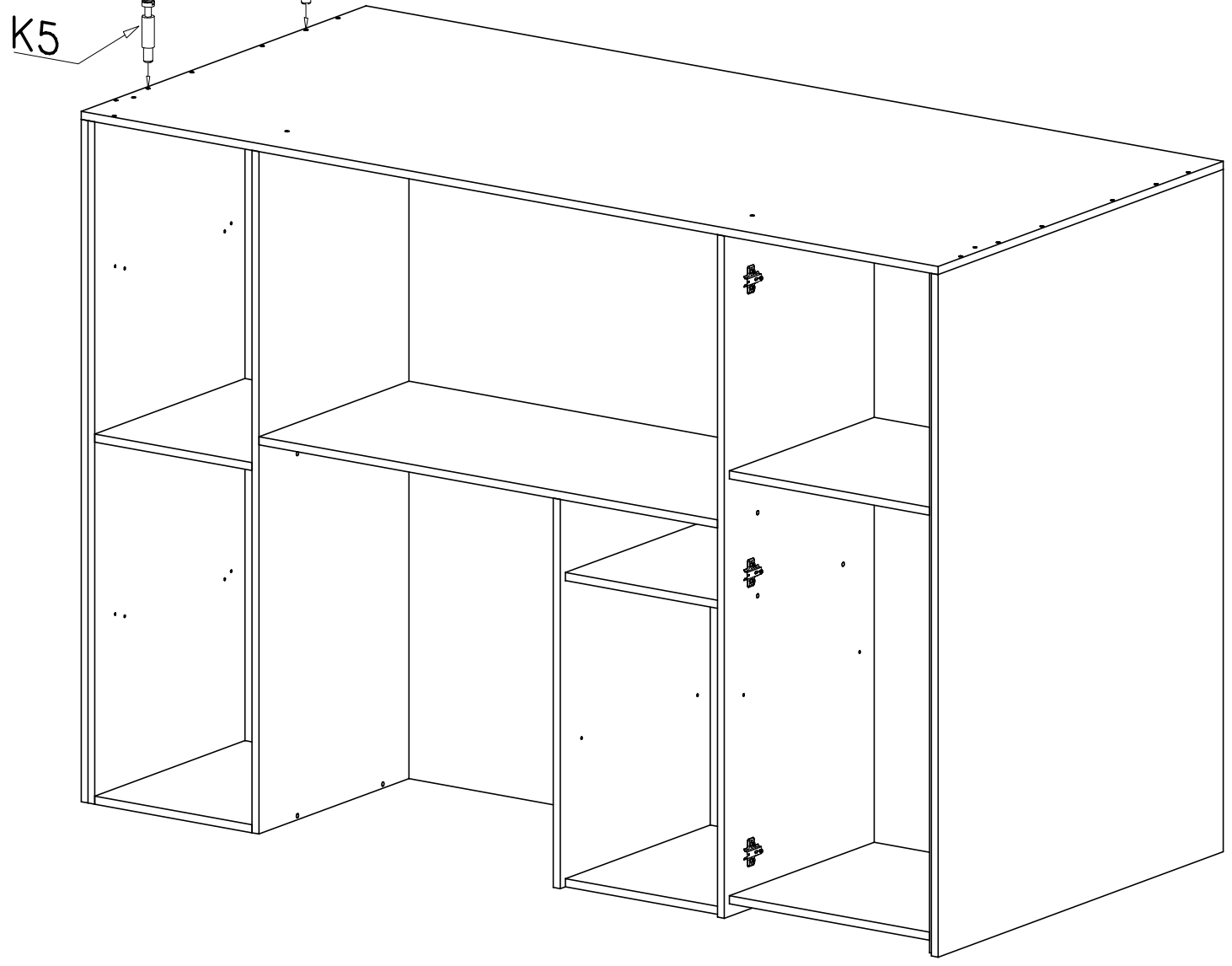
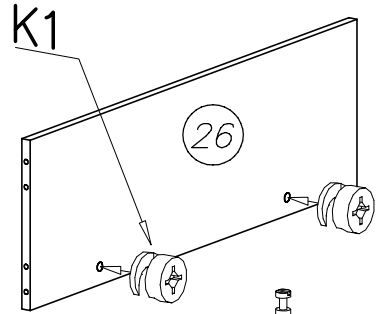
ø15x12

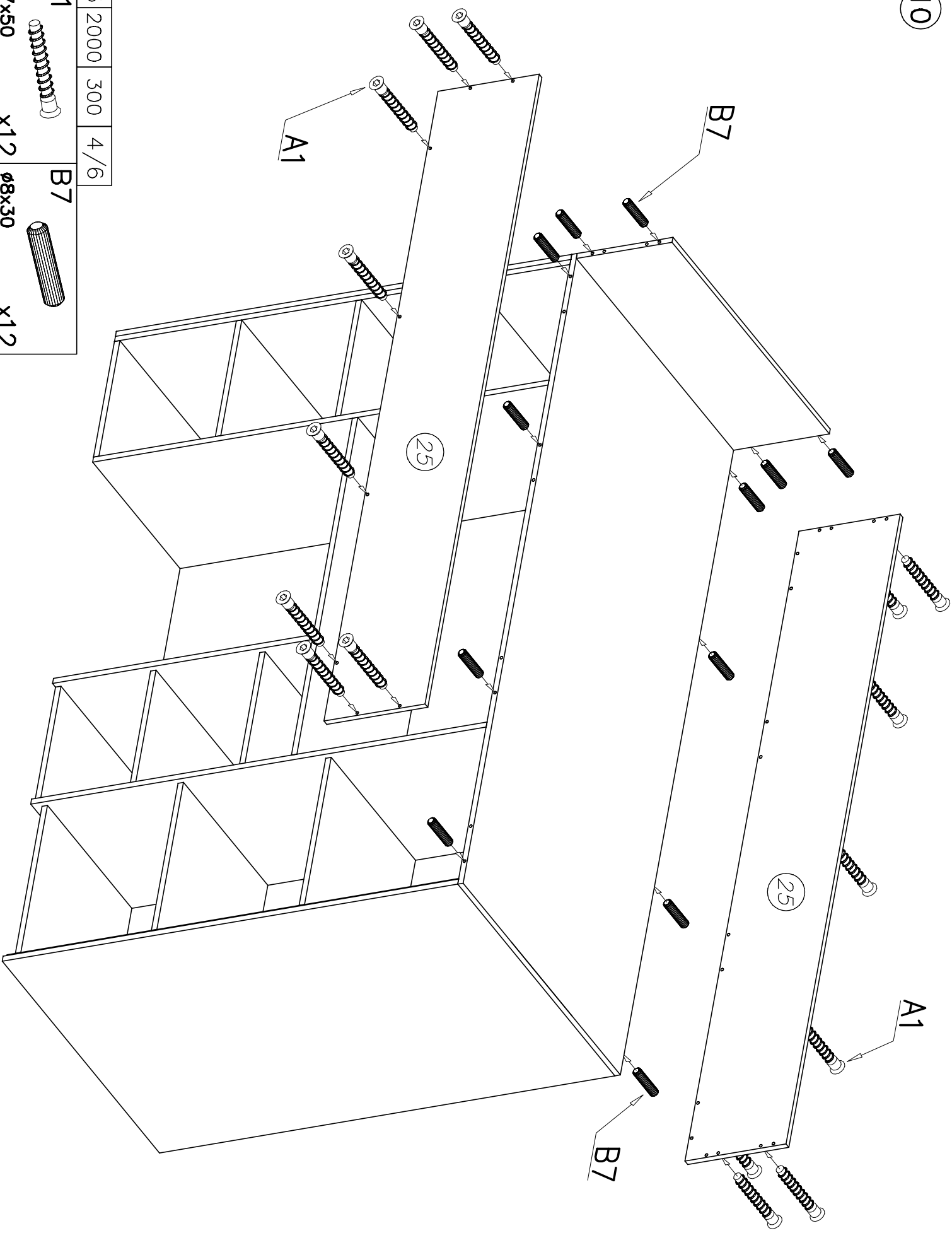
x2

K5

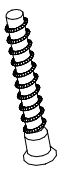
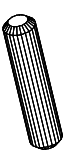


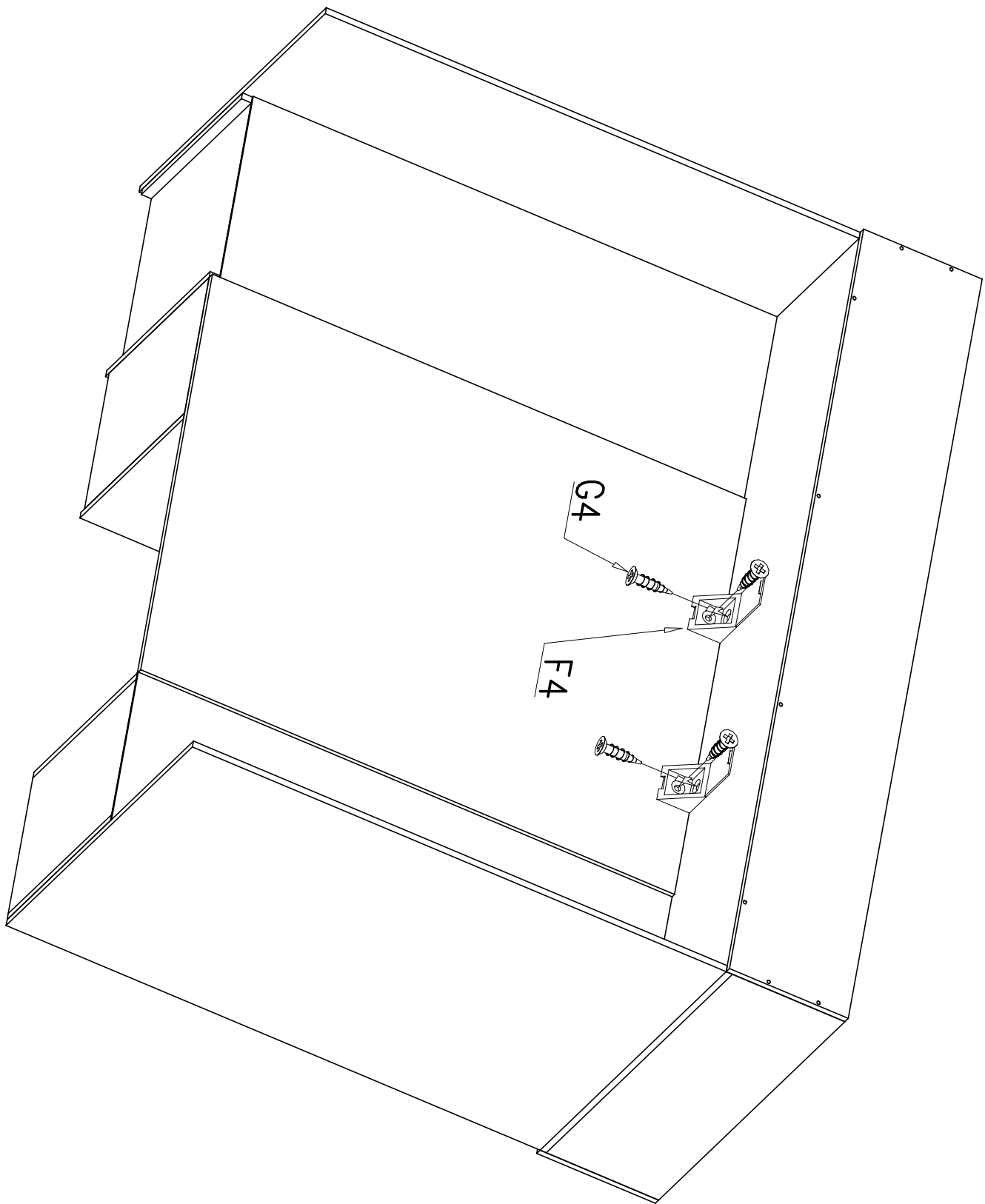
x2

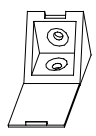



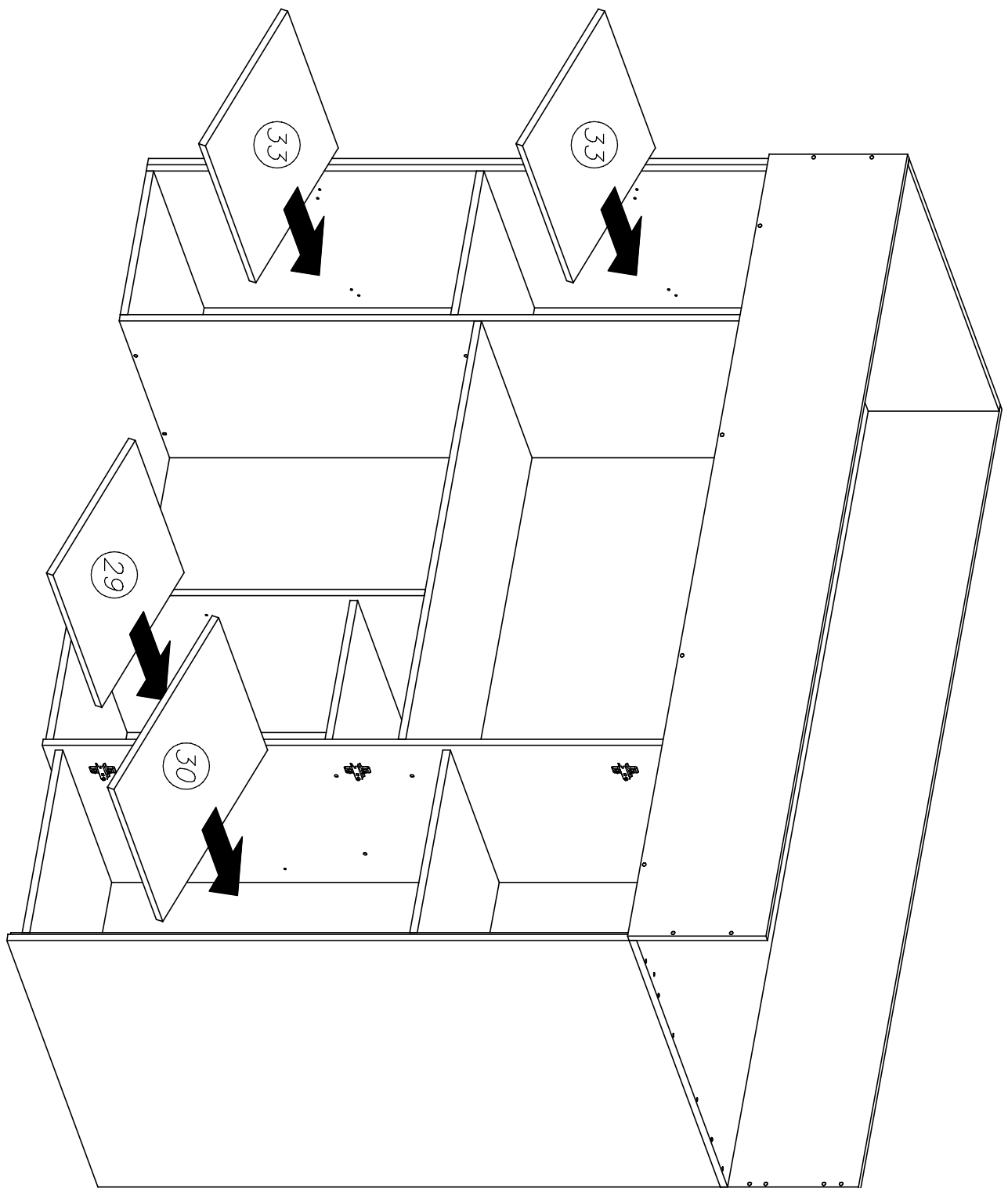


25	2000	300	4/6
----	------	-----	-----

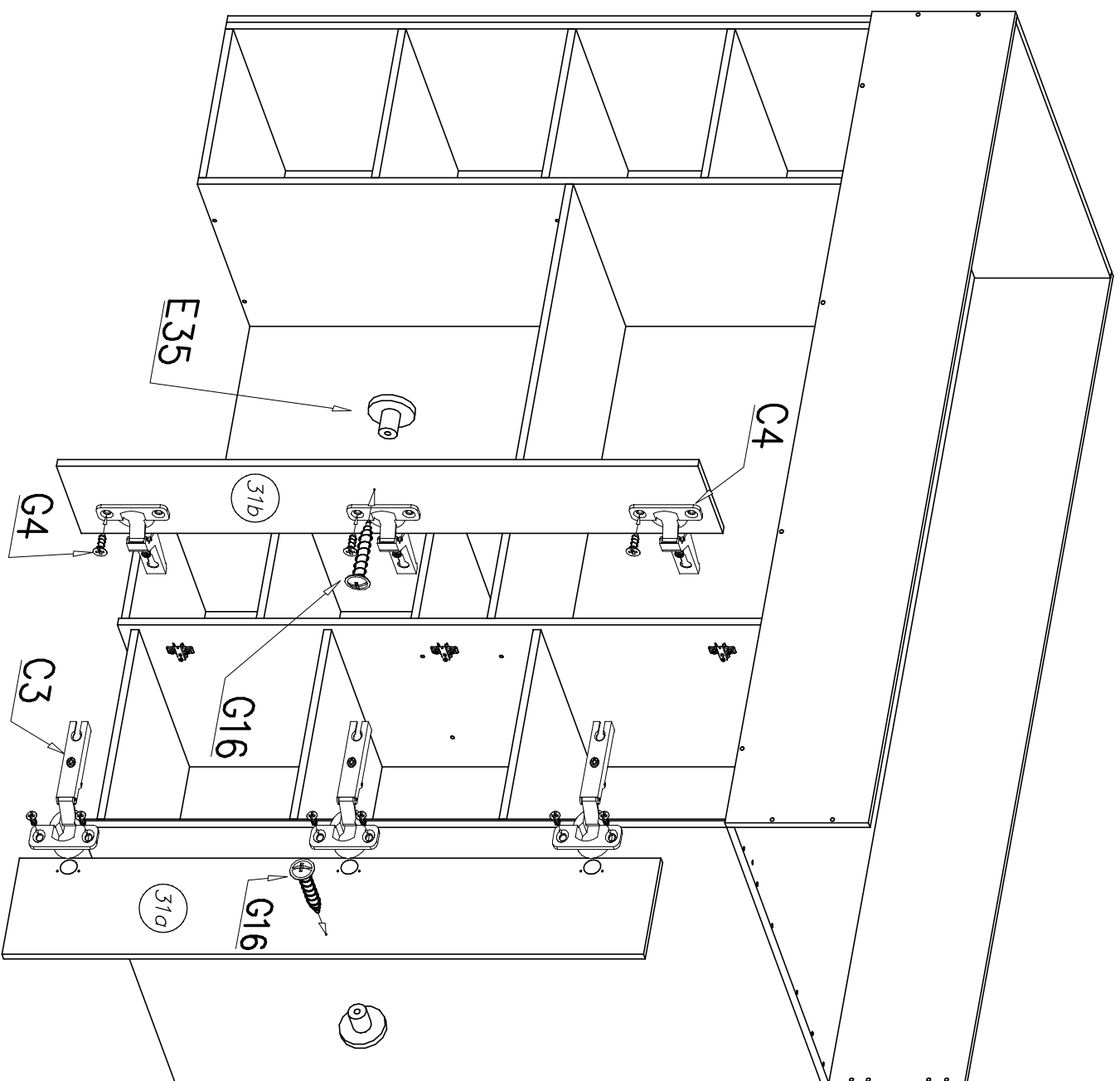
- A1  x12
- B7  x12



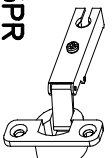
F4		x2
G4		x4
4x16		x4





29	367	483	2/6
30	467	483	2/6
33	367	483	4/6





31A	1341	237	5/6
31B	1341	237	5/6

C3

 x3

Z35PR

 x3

C4

 x3

Z350D

 x3

E35

 x2

G4

 x12

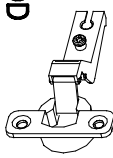
G16

 x2


4x25
 x2

32	615	361	6/6
----	-----	-----	-----


C4
Z350D
x2



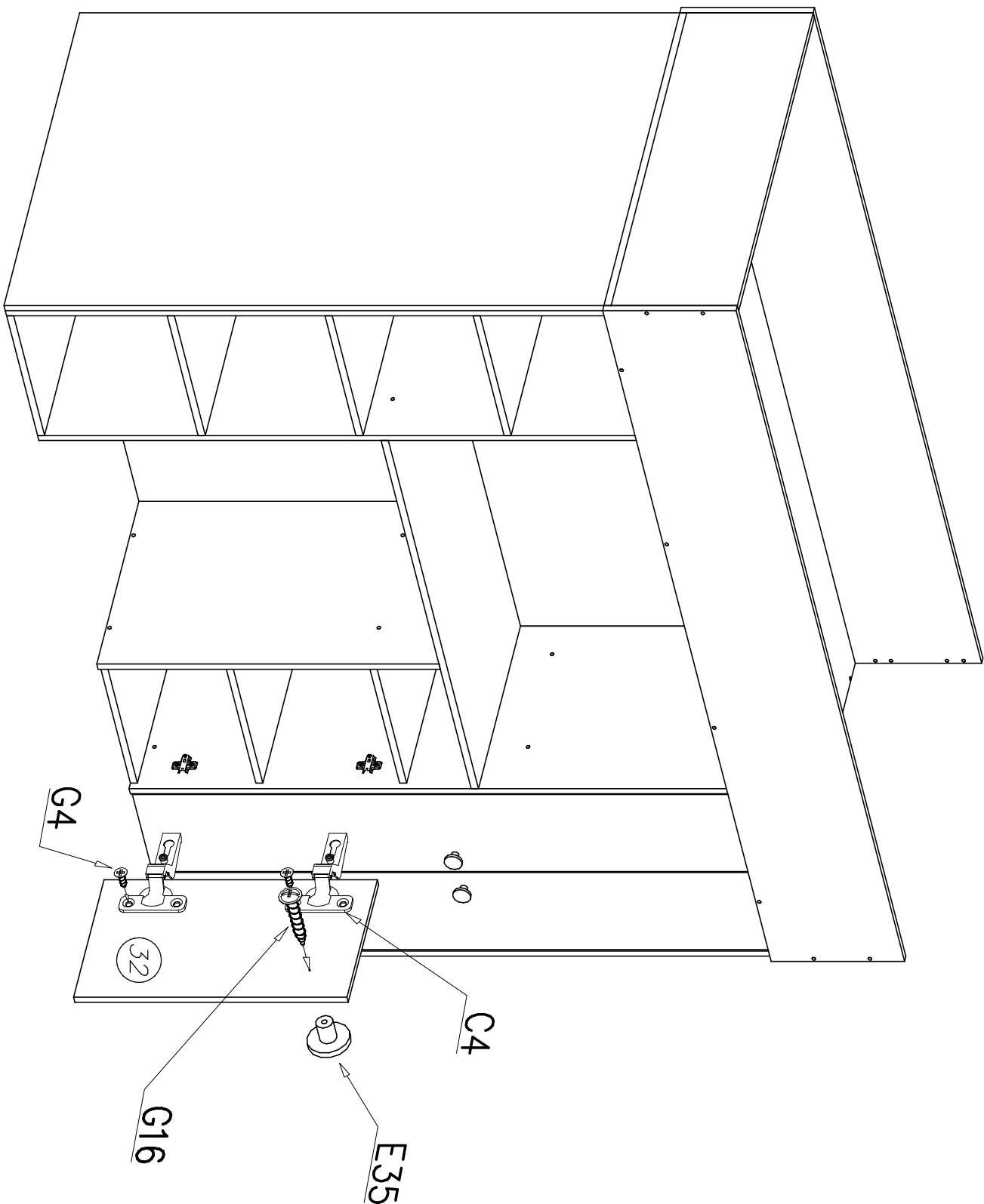

E35
x1

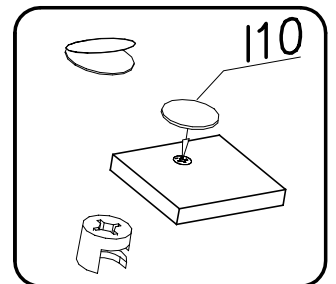
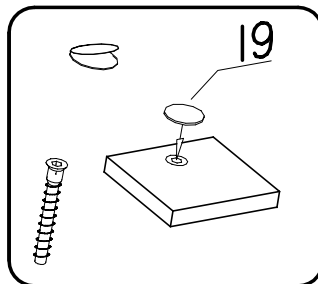
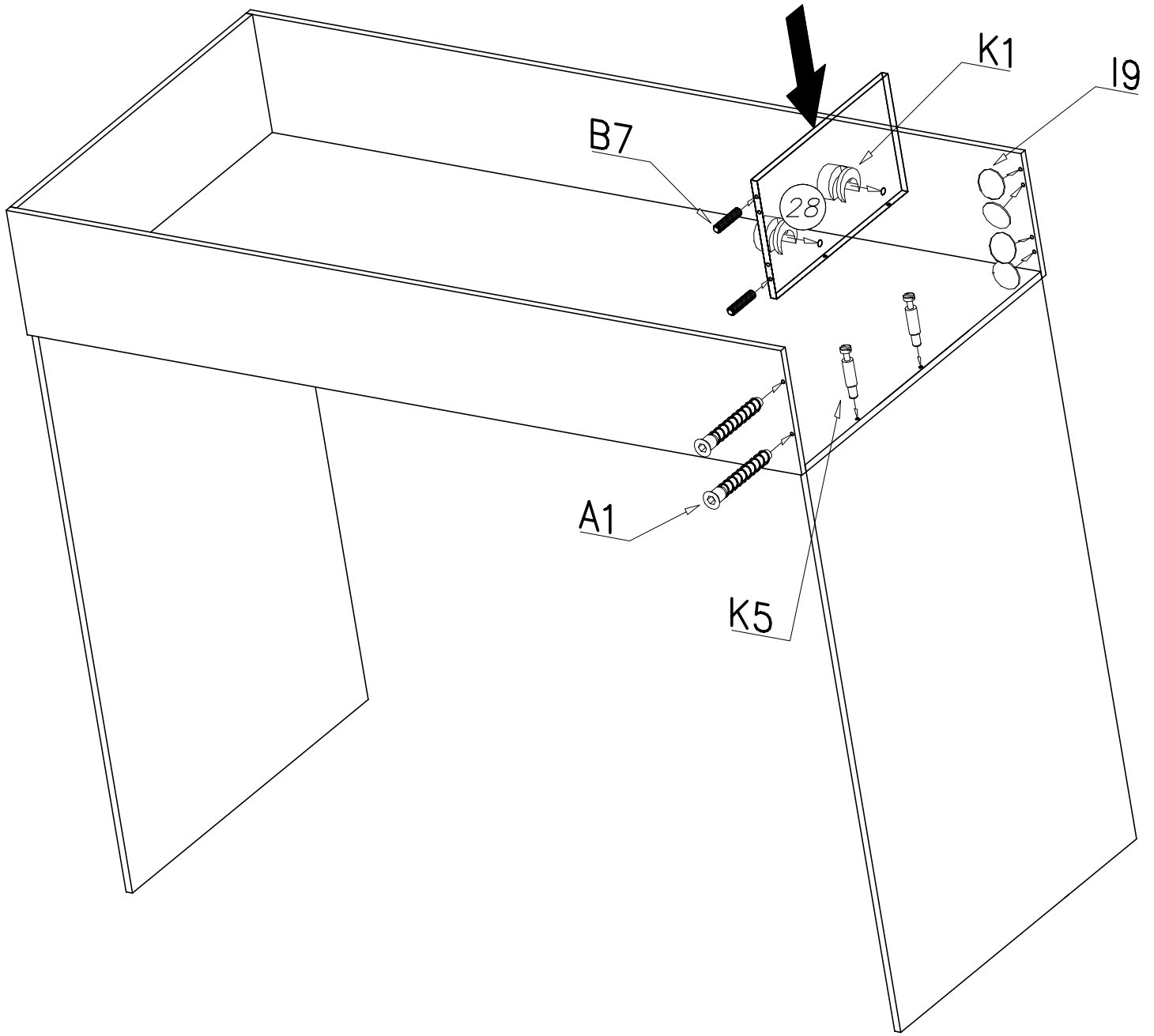


G4
4x16
x4



G16
4x25
x1





28	500	284	2/6
B7 #8x30 x2		K5 #15x12 x2	
A1 #7x50 x2		K1 #15x12 x2	
		I9 x58	
		I10 x4	