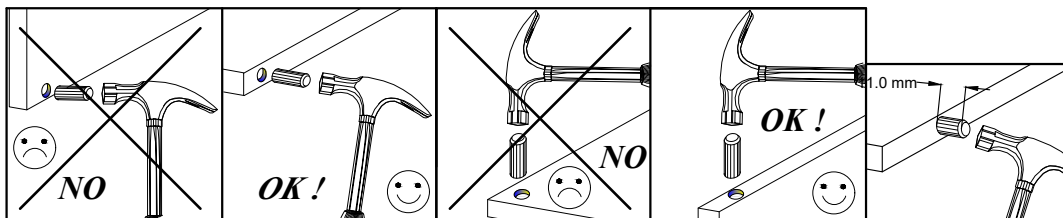
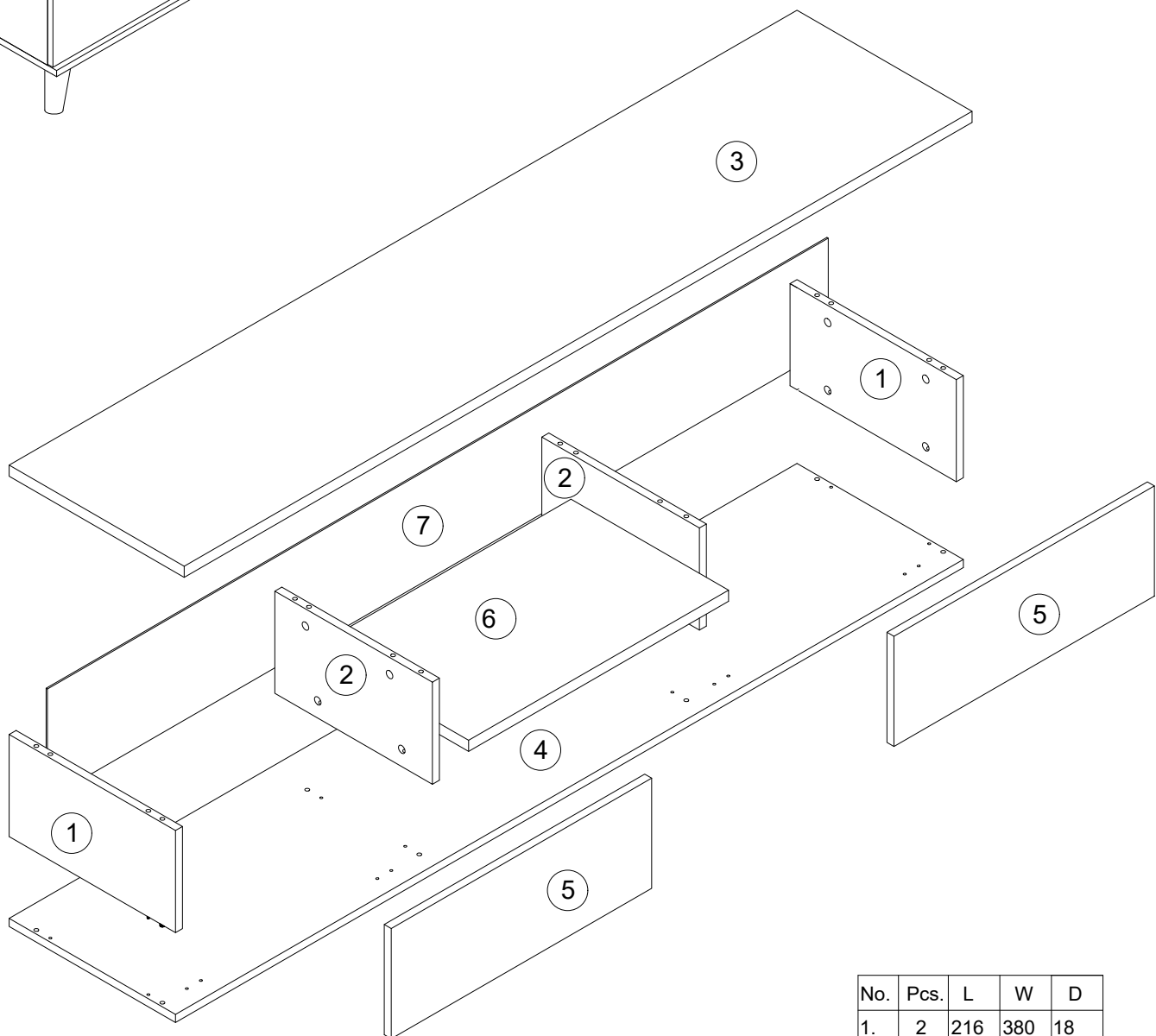
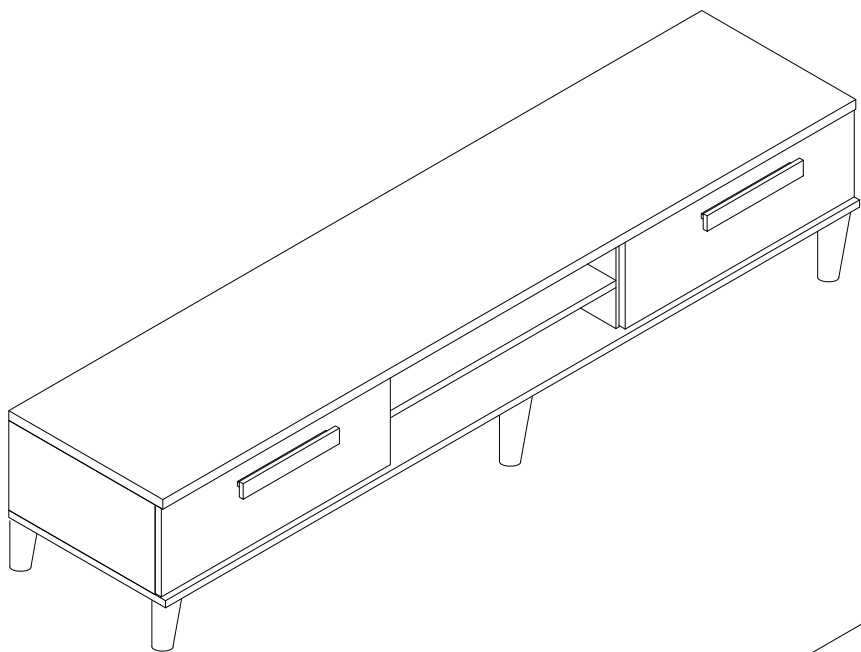


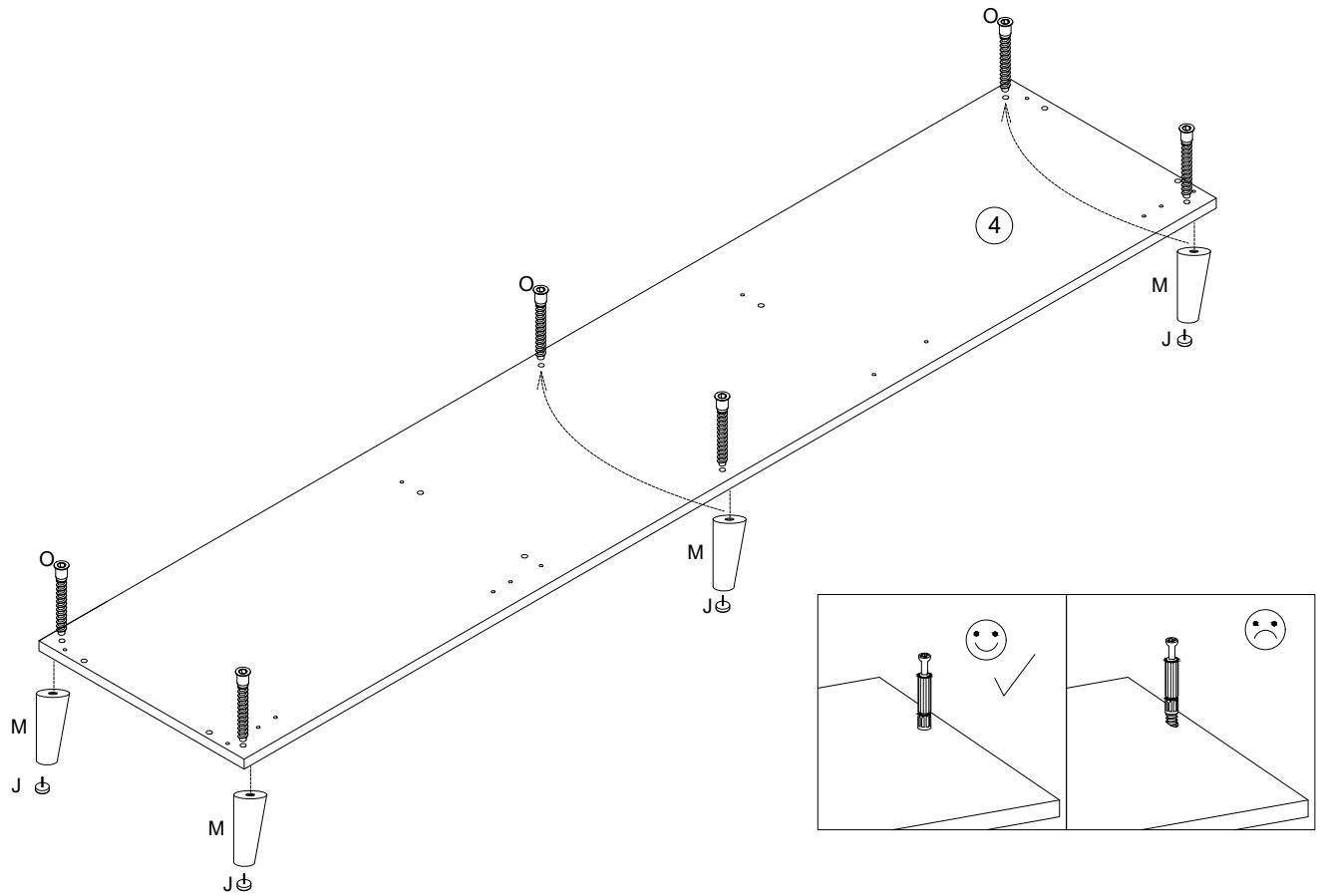
8.0x35  D 16	4.0x27  G 4	 A 16	Ø-15x12  B 16	3.5x16  H 8	Ø7.0x50  O 6	 Z1 4	 L 4	 M 6
 Q 1	 X 16	 X1 6	 T 20	 F 2	 S 4	 J 6		



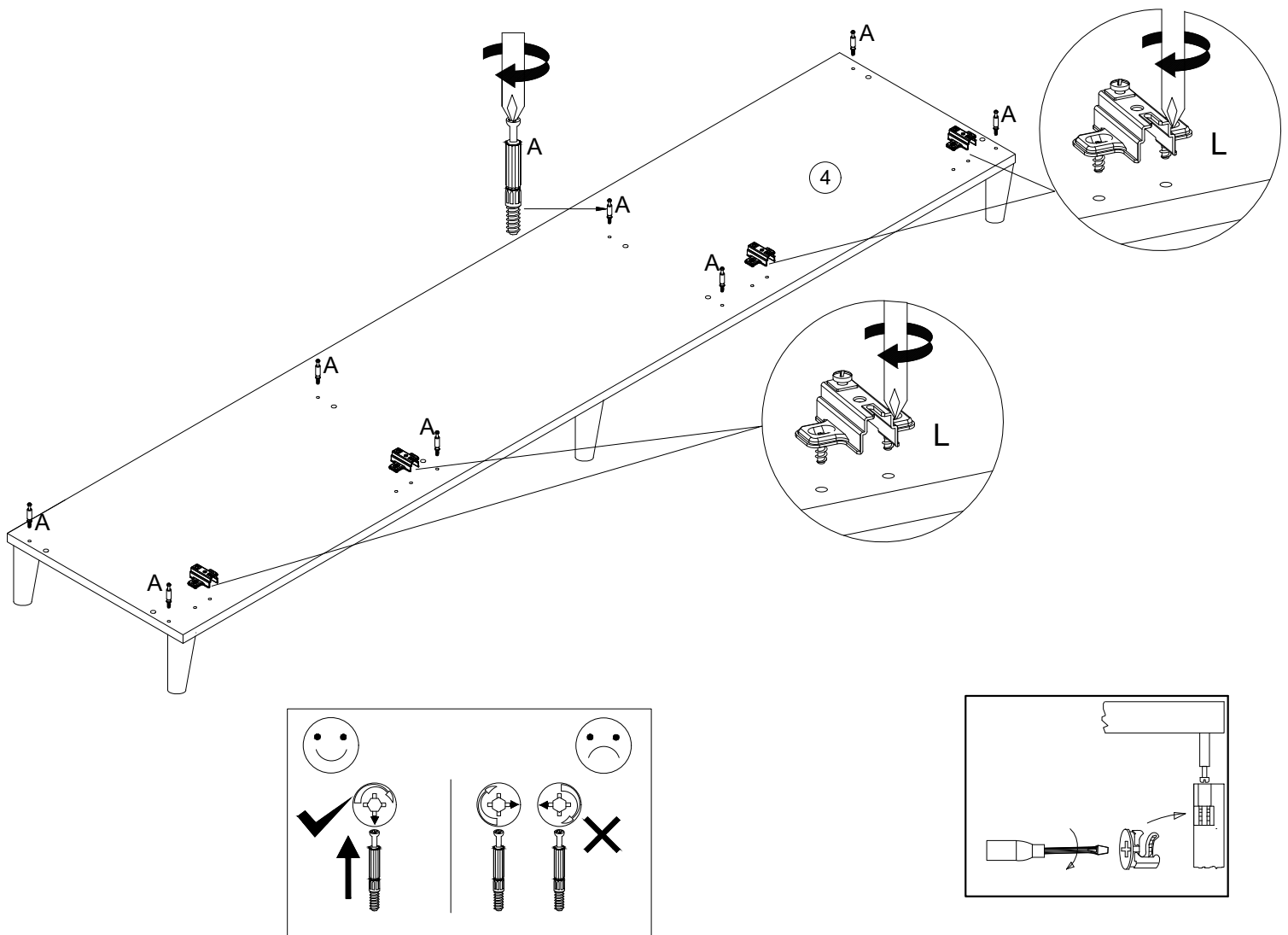


No.	Pcs.	L	W	D
1.	2	216	380	18
2.	2	216	380	18
3.	1	1802	400	18
4.	1	1802	400	18
5.	2	595	210	18
6.	1	600	375	18
7.	1	1794	246	3

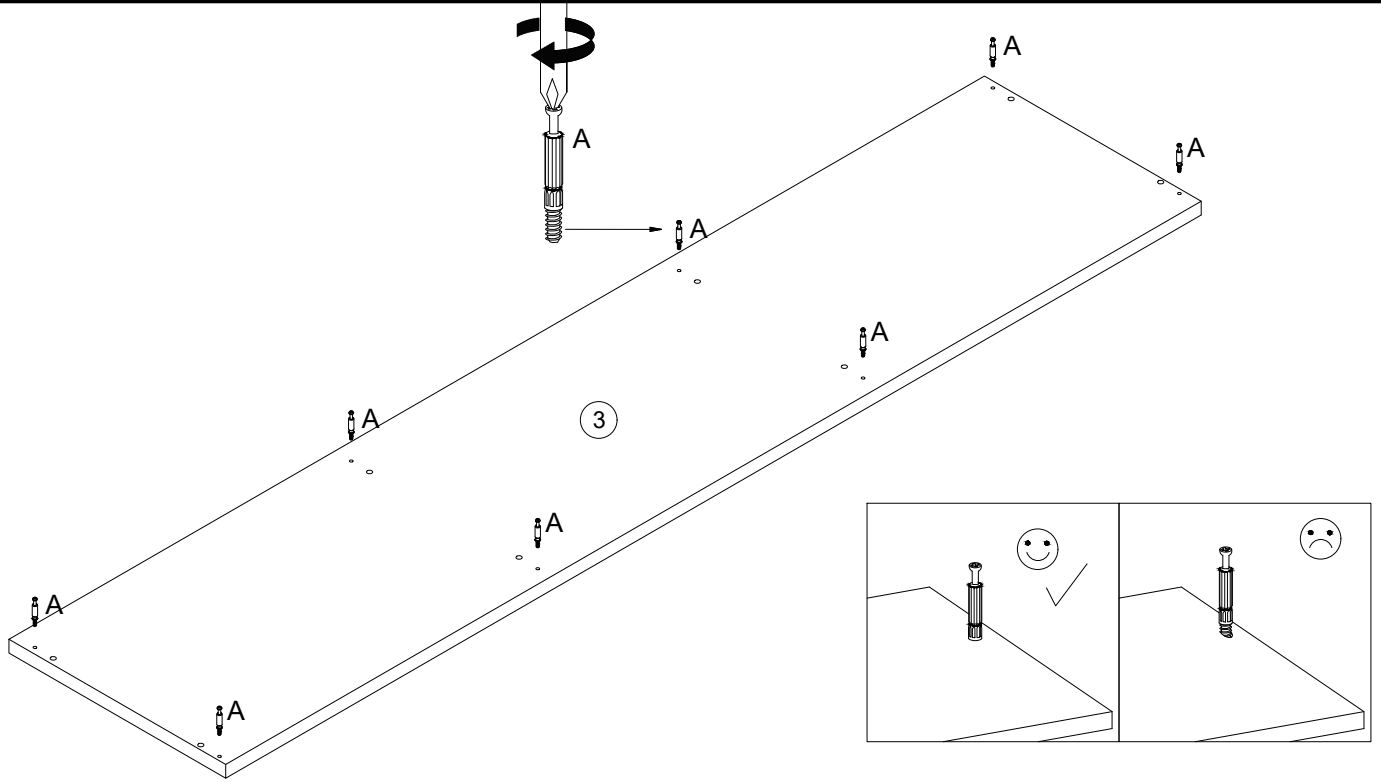
1



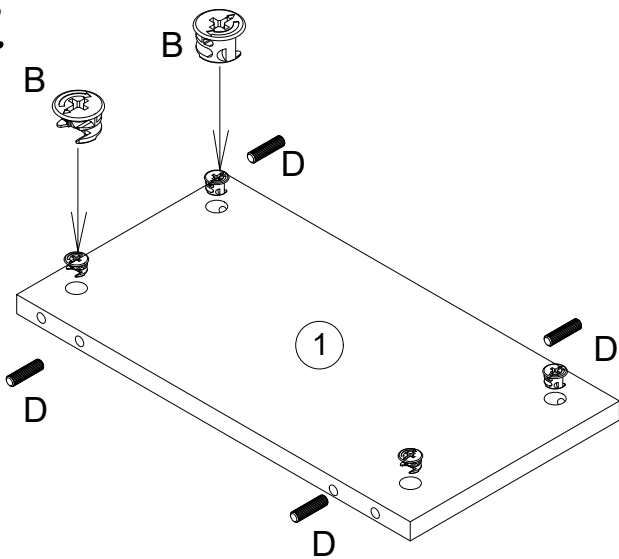
2



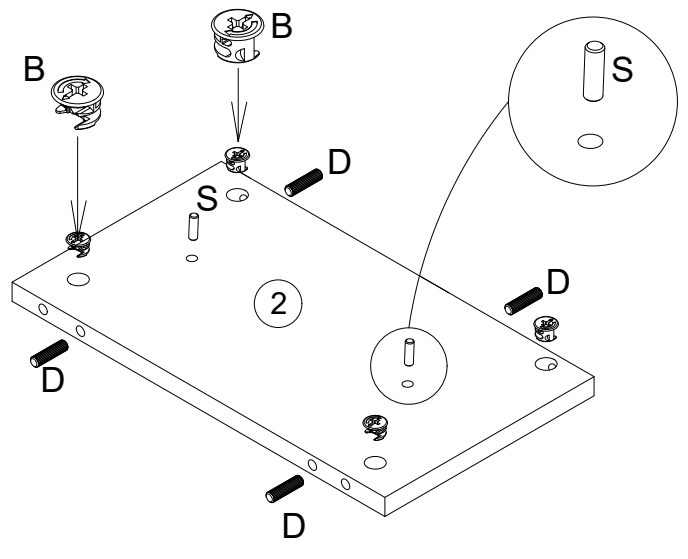
# 3



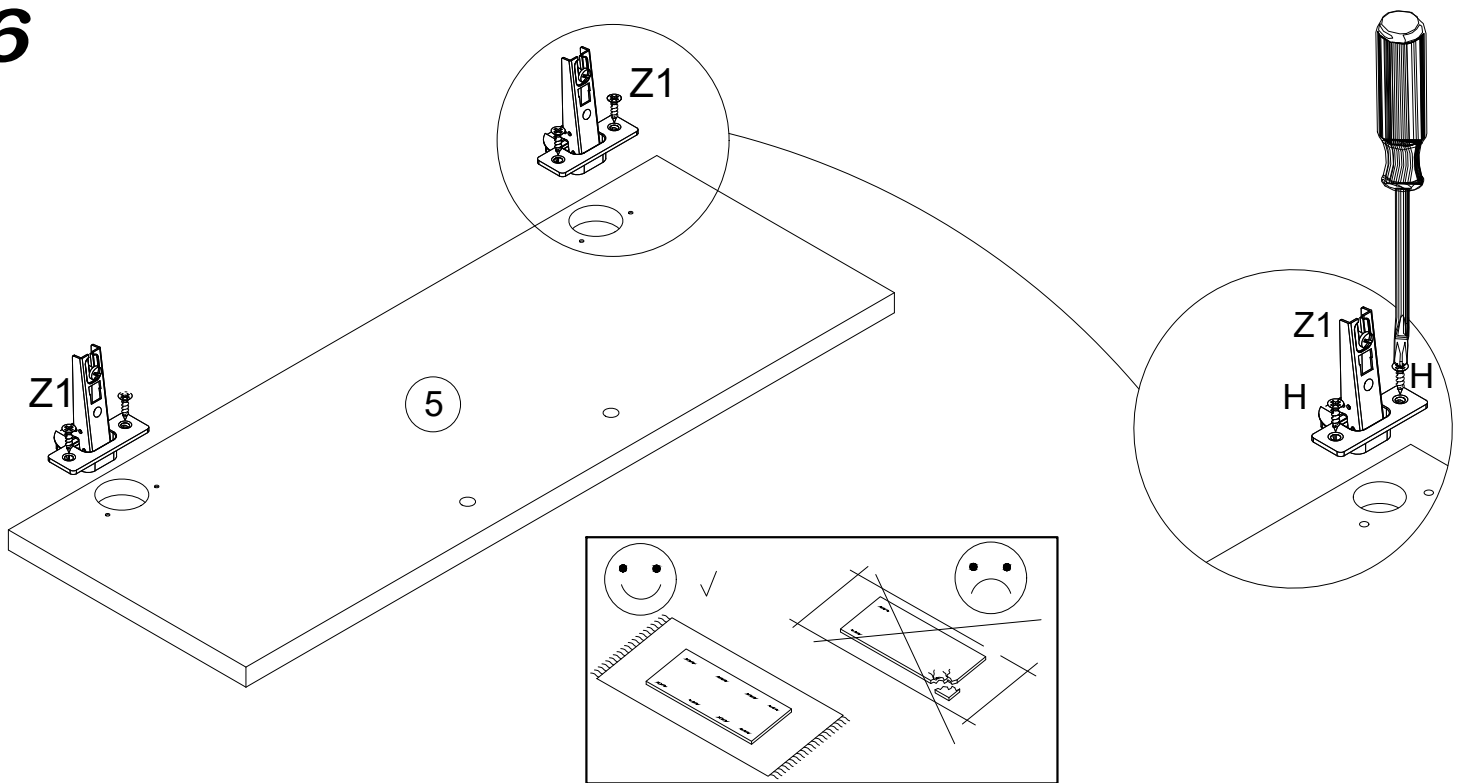
# 4



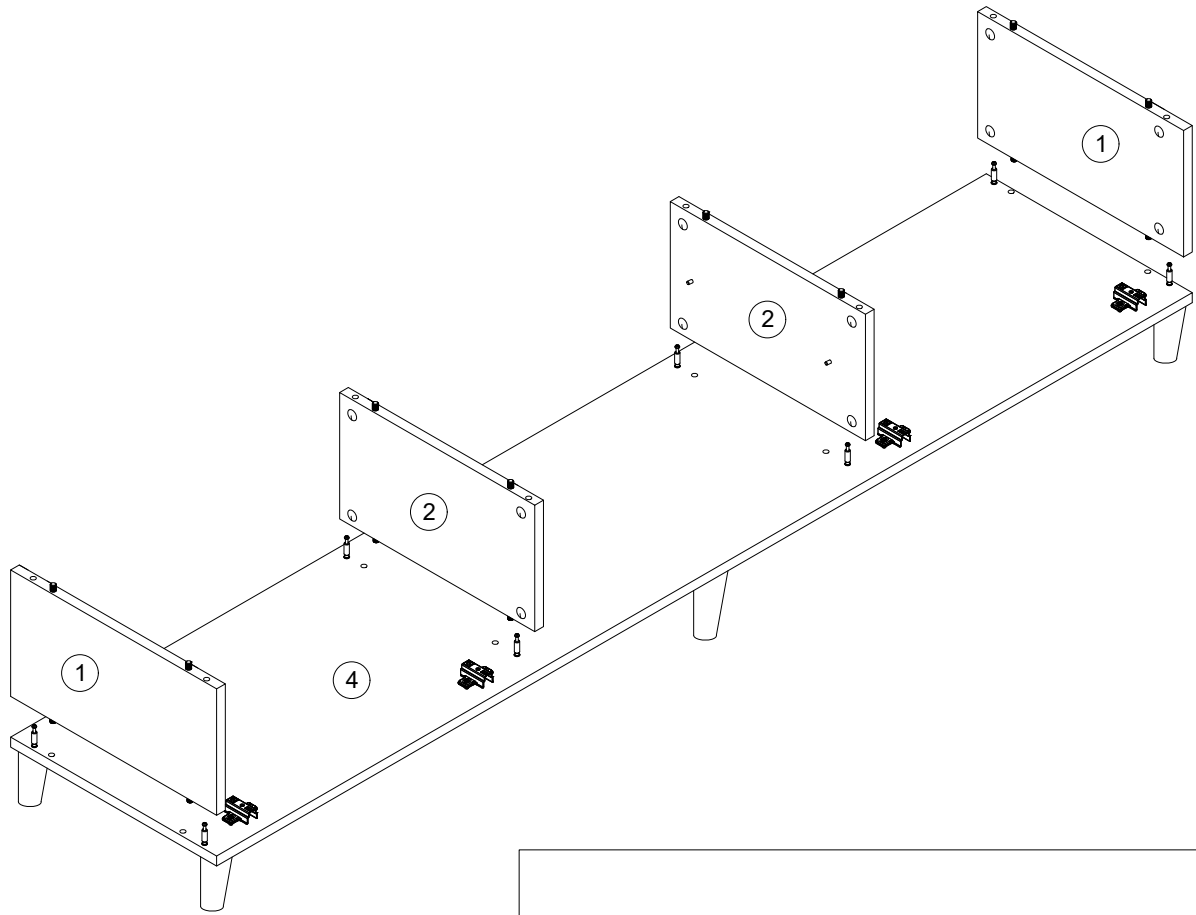
# 5



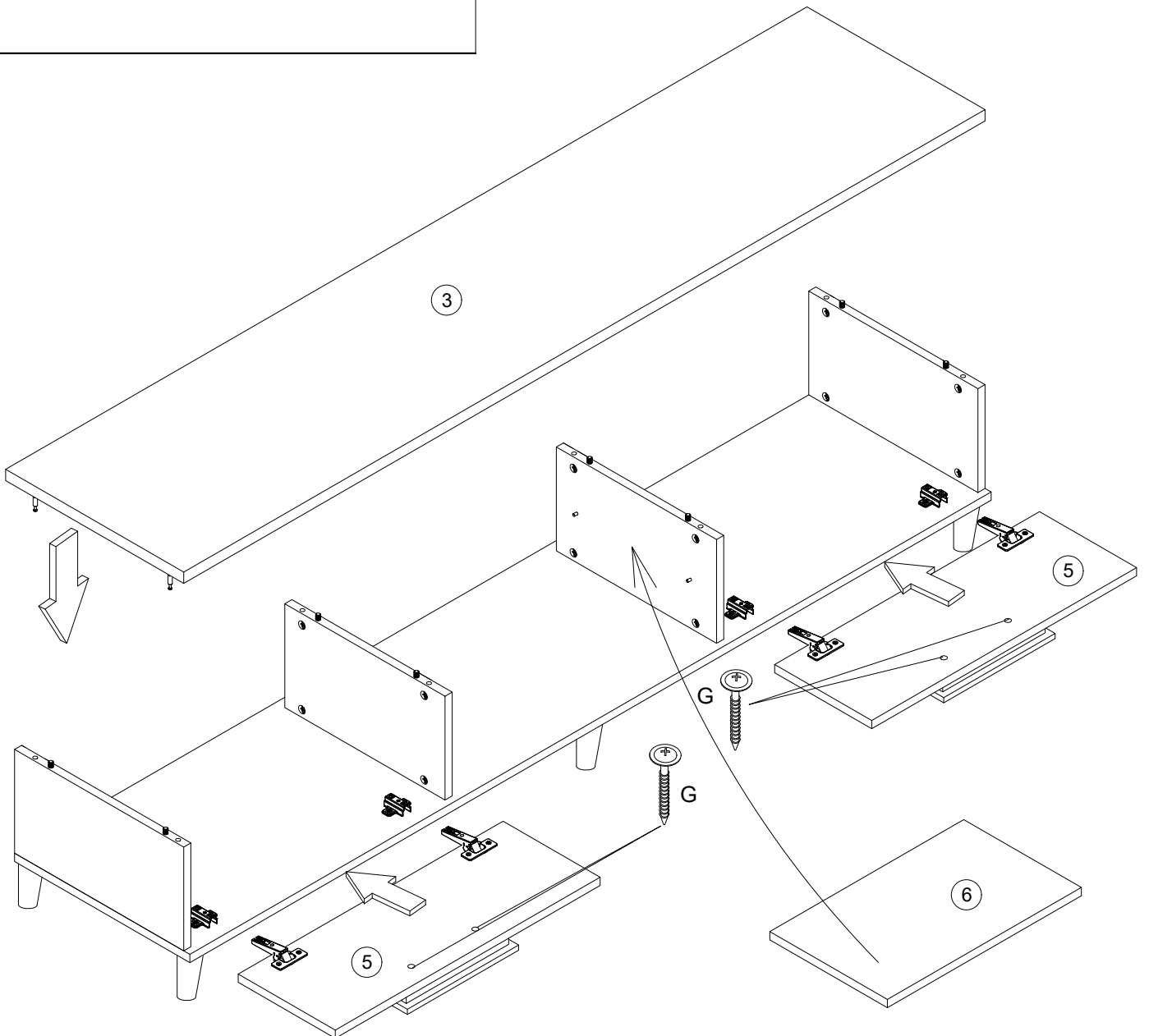
# 6



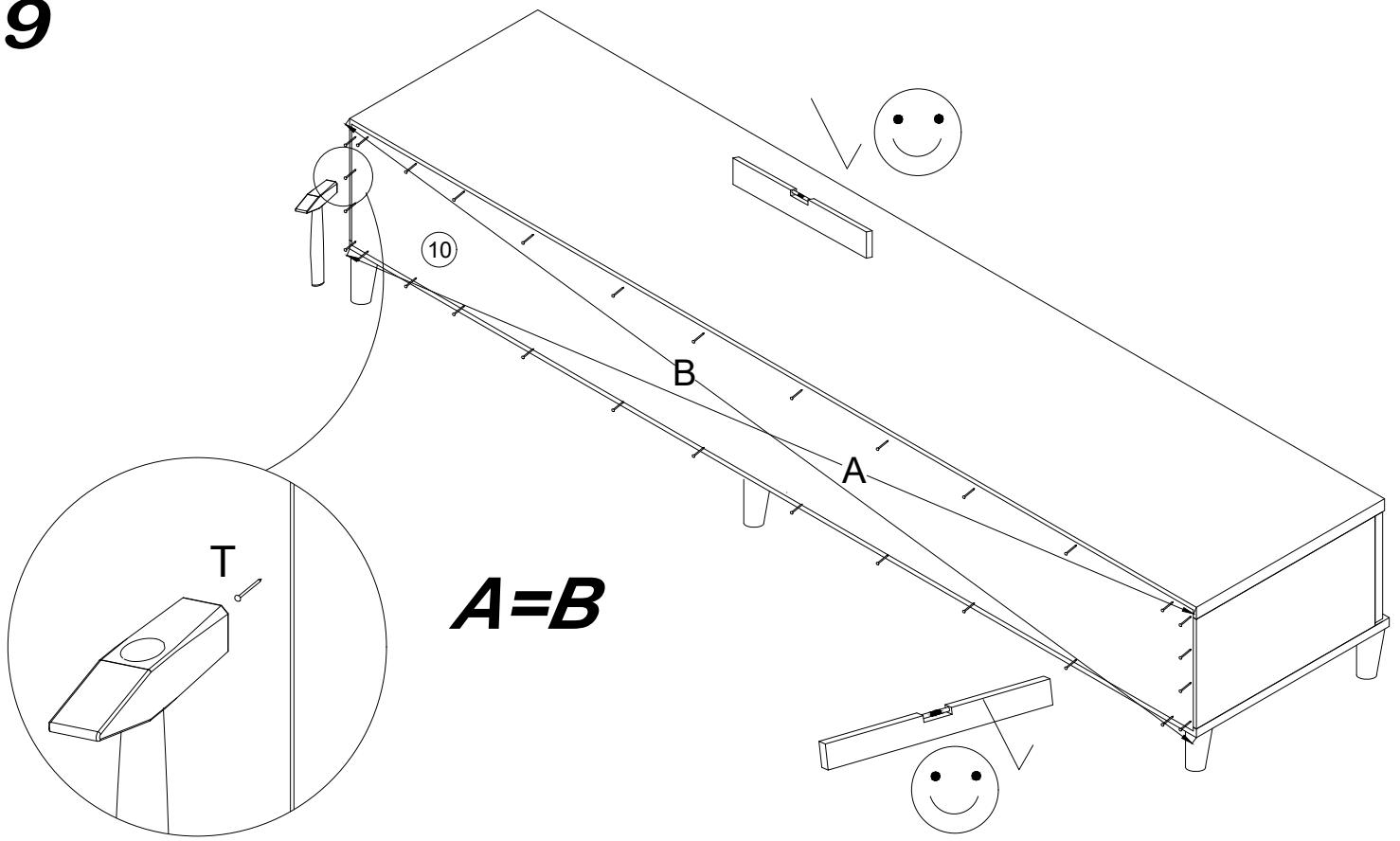
7



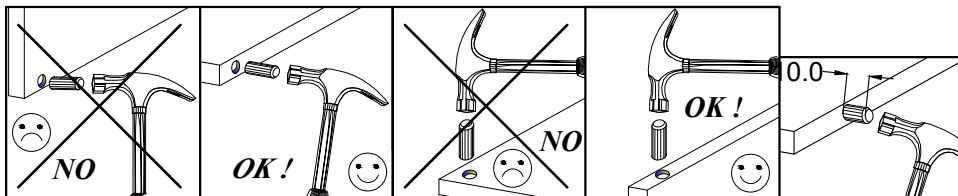
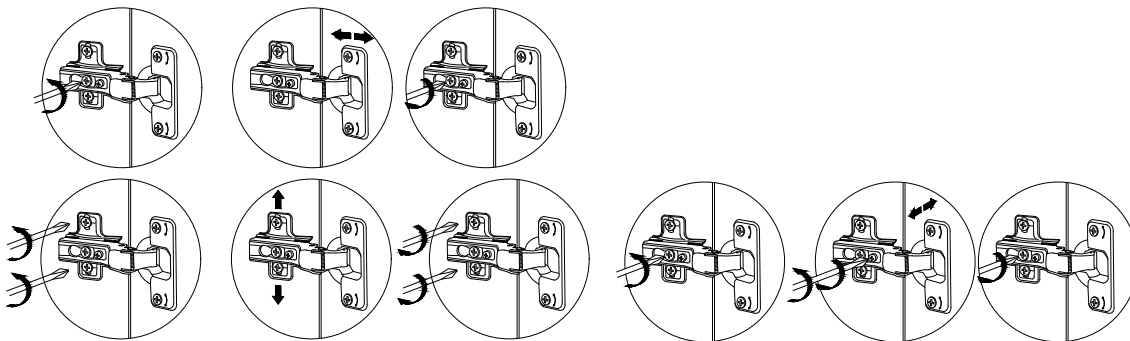
8

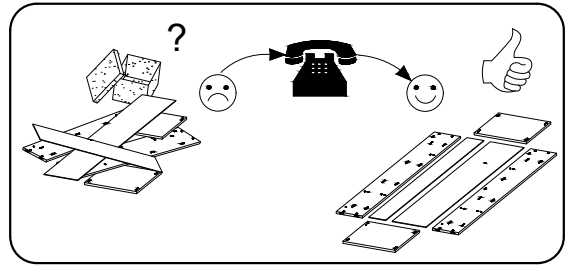
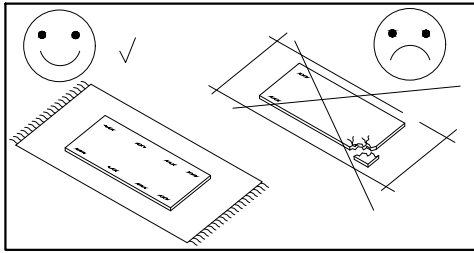
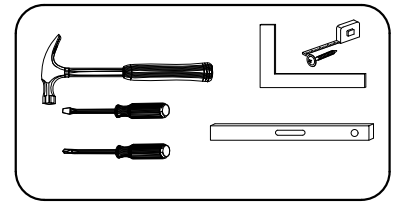
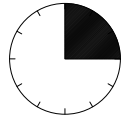
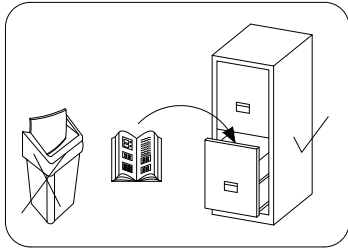
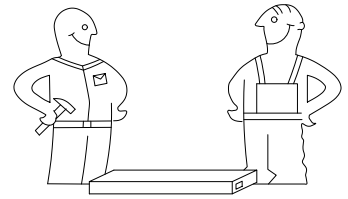


9

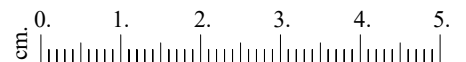
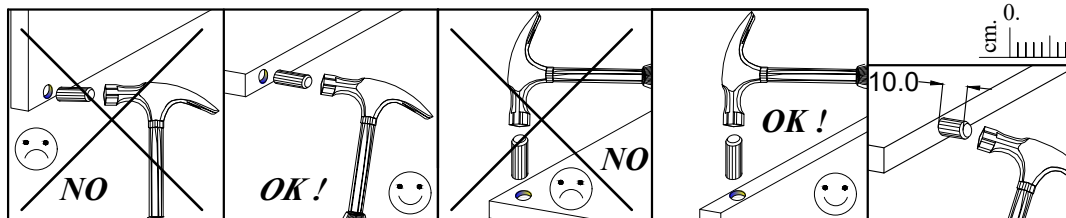


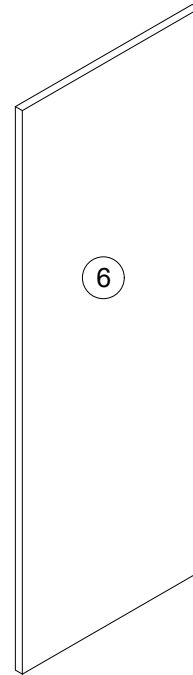
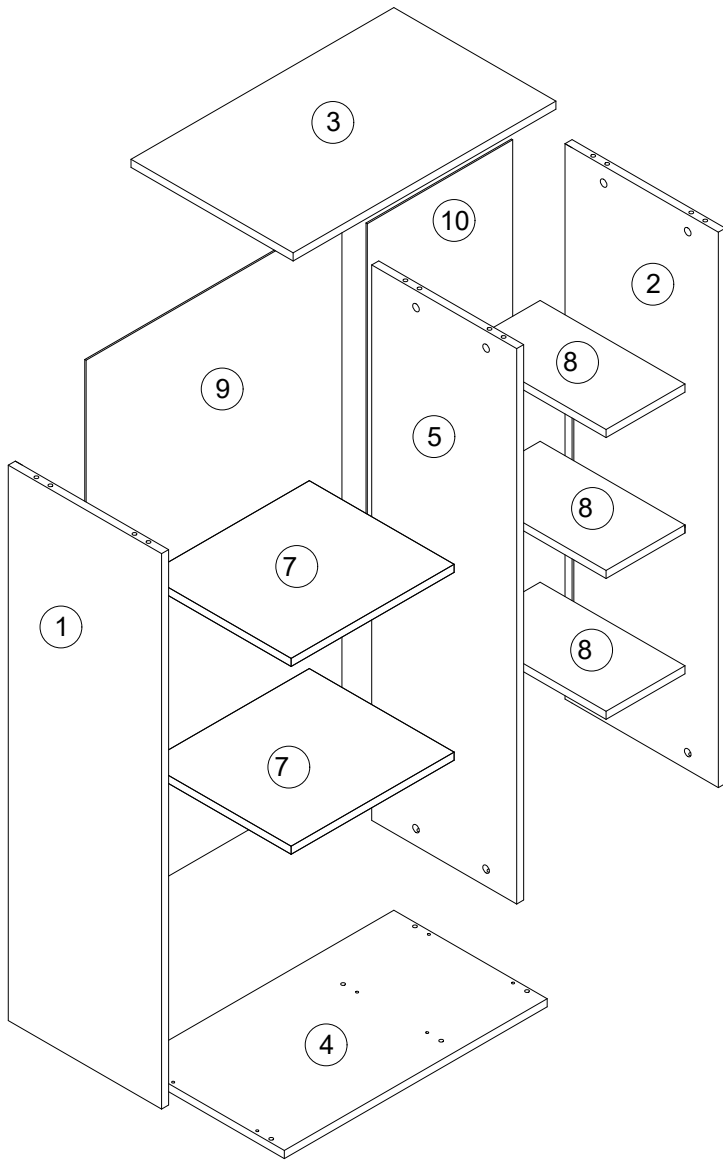
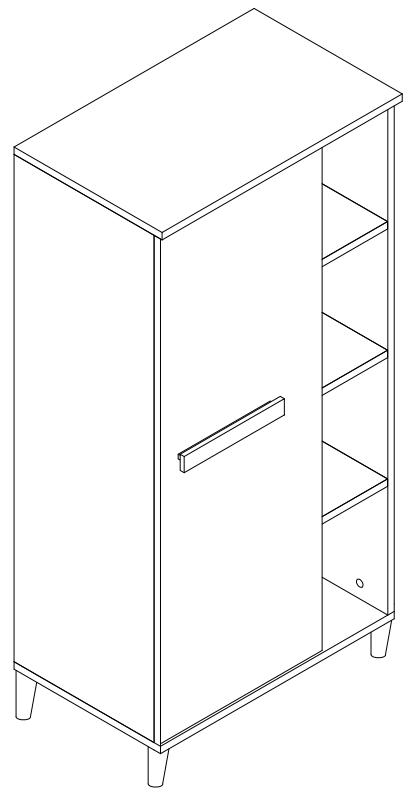
**A=B**





8.0x35  D 12	4.0x27  G 2	 A 12	Ø-15x12  B 12	3.5x16  H 4	 T 30	 Z 2	 L 2	 T1 6	 M 8
Ø7.0x50  O 4	 X 12	 X1 4	 F 1	 Q 1	 S 20	 MS 1	 J 4		

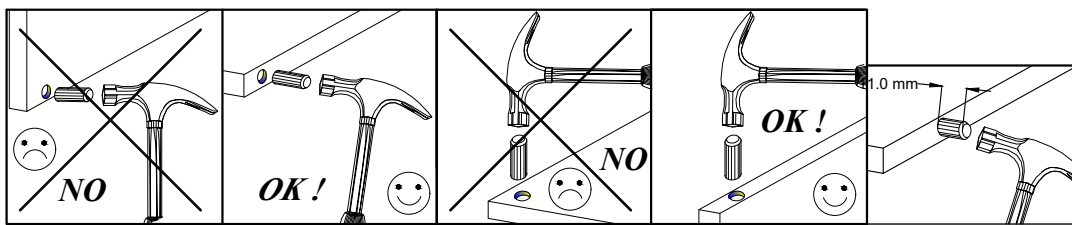
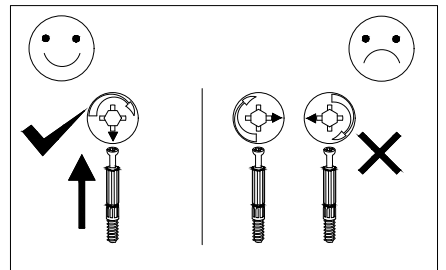
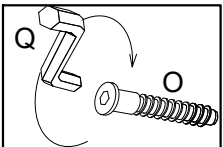
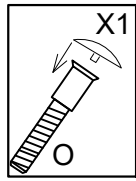
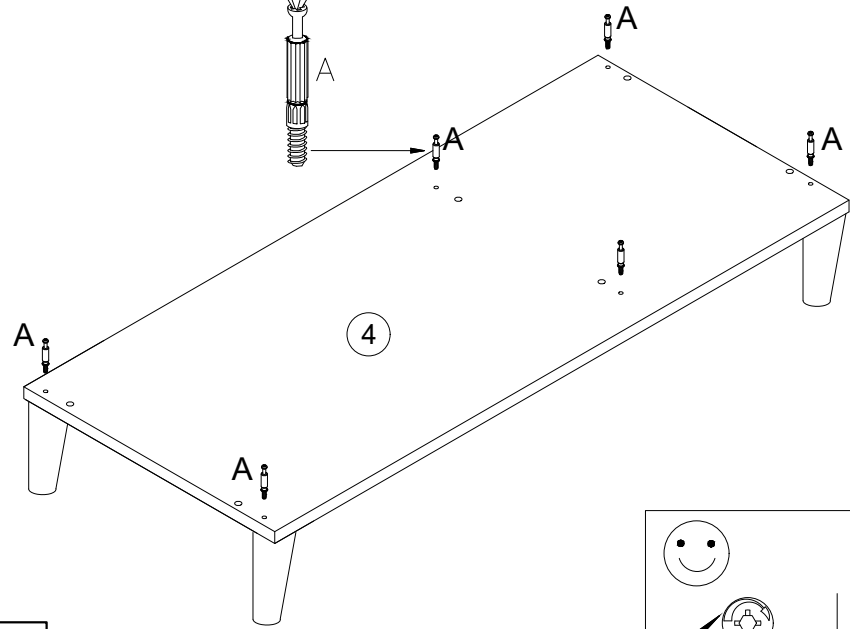
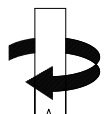
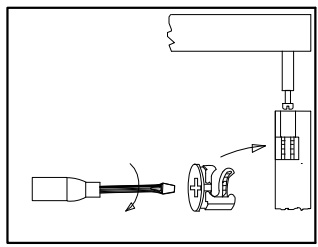
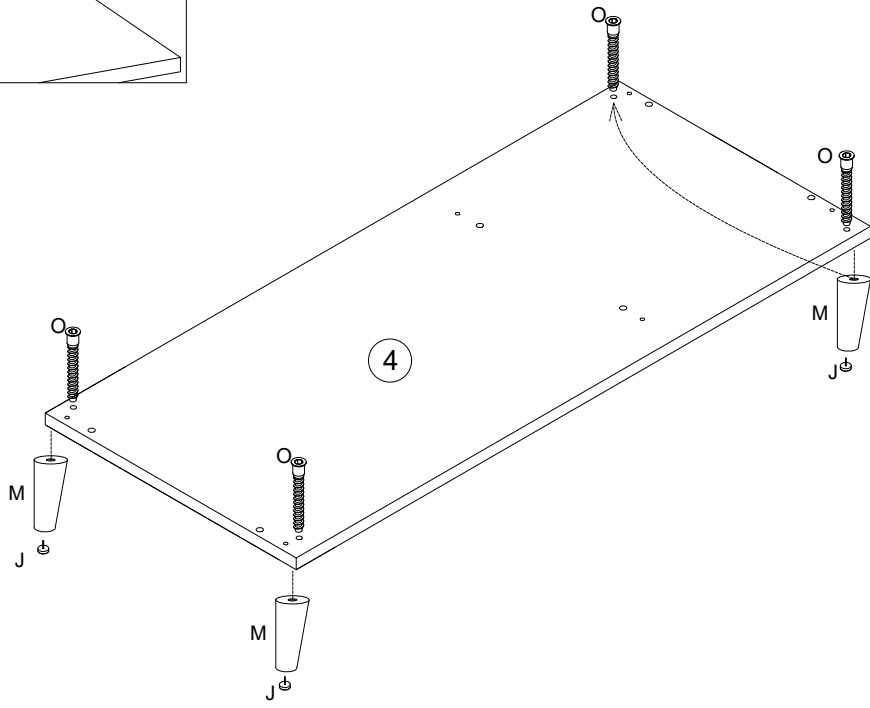
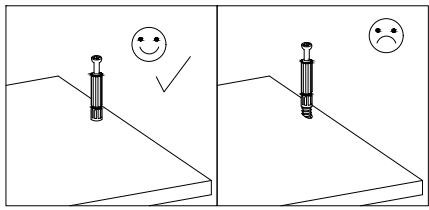




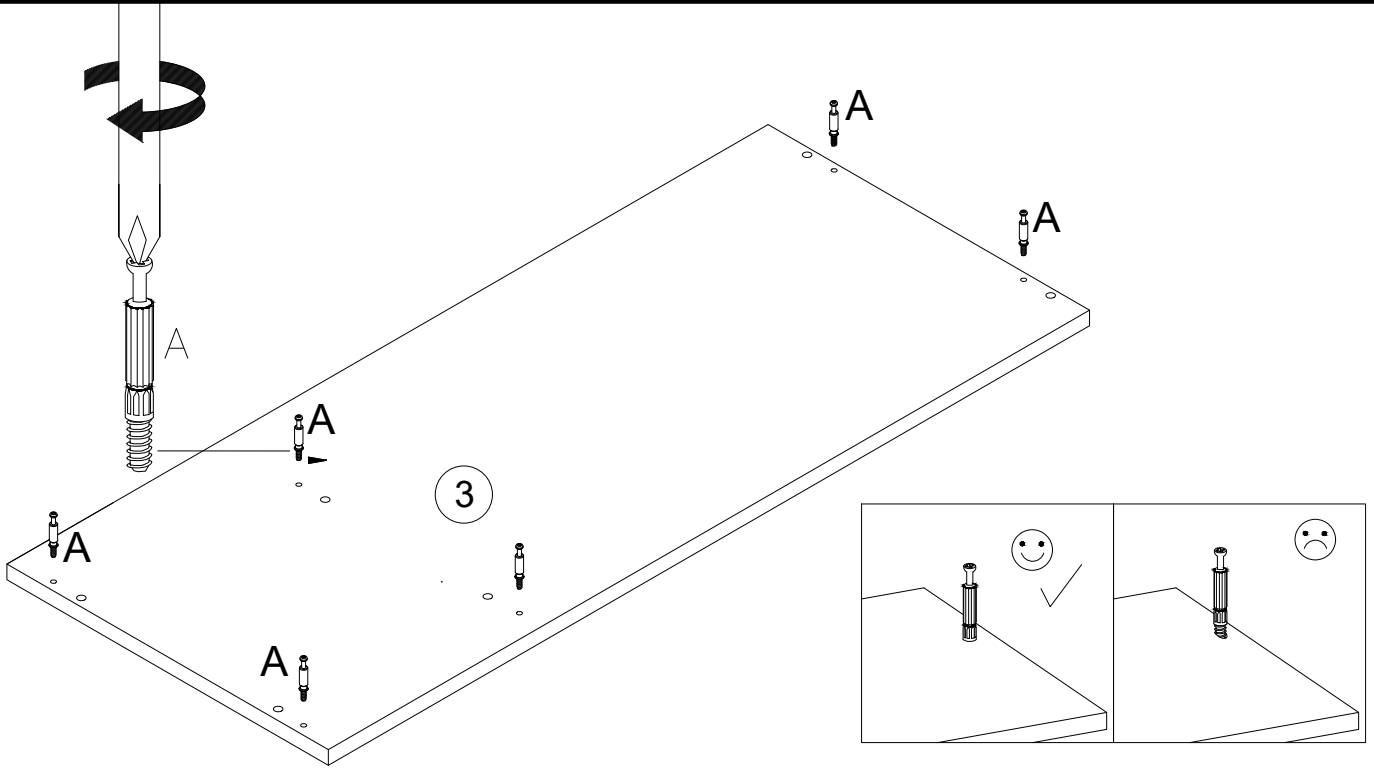
No.	Pcs.	L	W	D
1.	1	1100	330	18
2.	1	1100	330	18
3.	1	602	350	18
4.	1	602	350	18
5.	1	1100	330	18
6.	1	1094	395	18
7.	2	363	320	18
8.	3	182	320	18
9.	1	1130	388	3
10.	1	1130	205	3



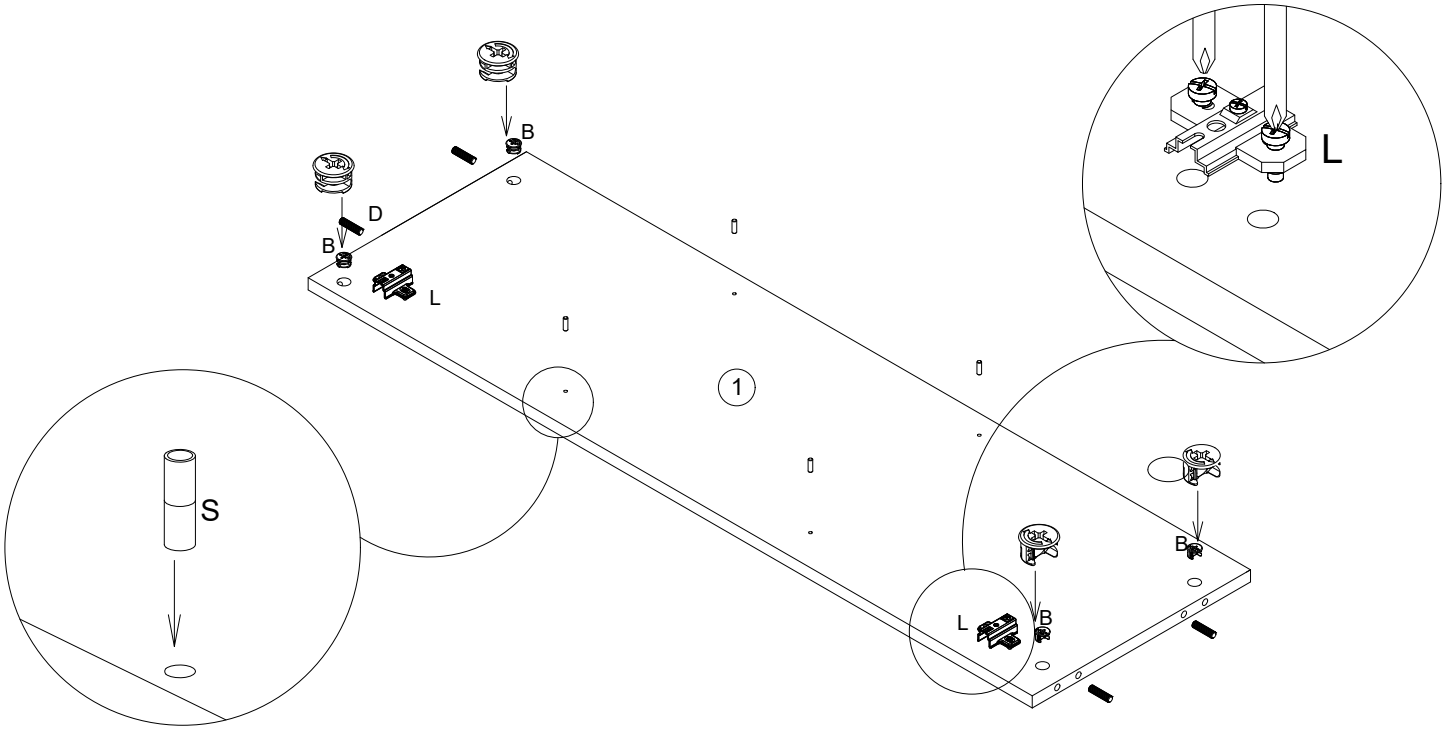
1



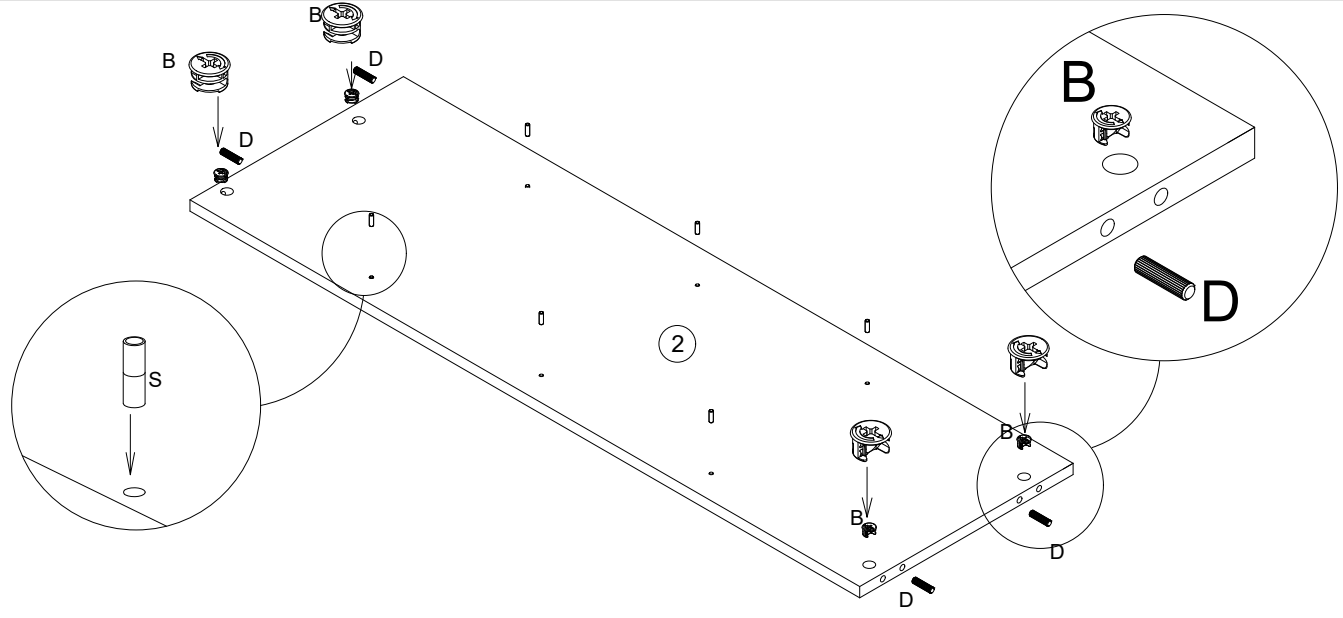
2



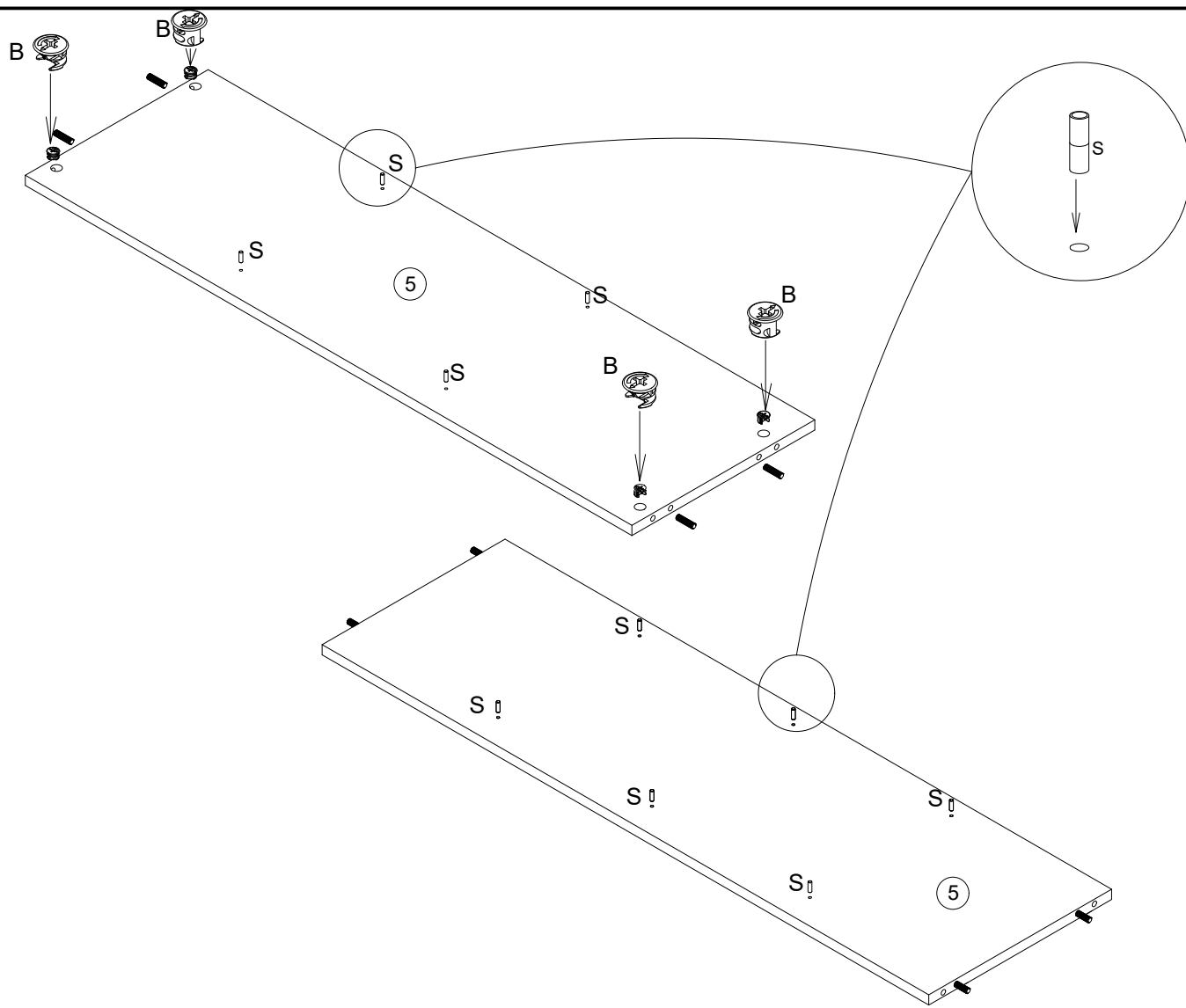
3



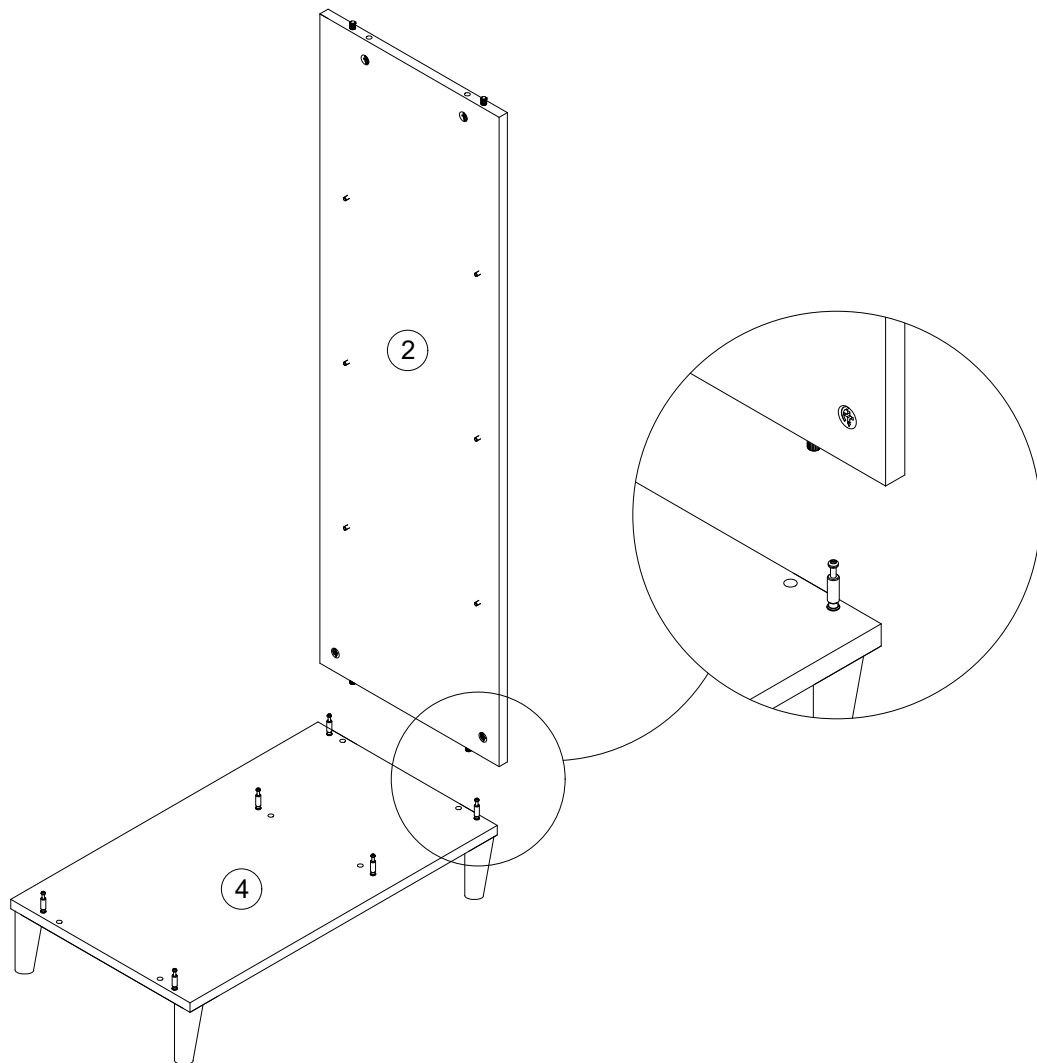
4



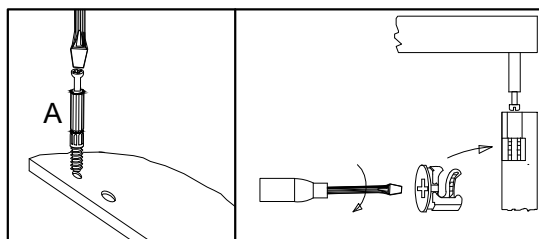
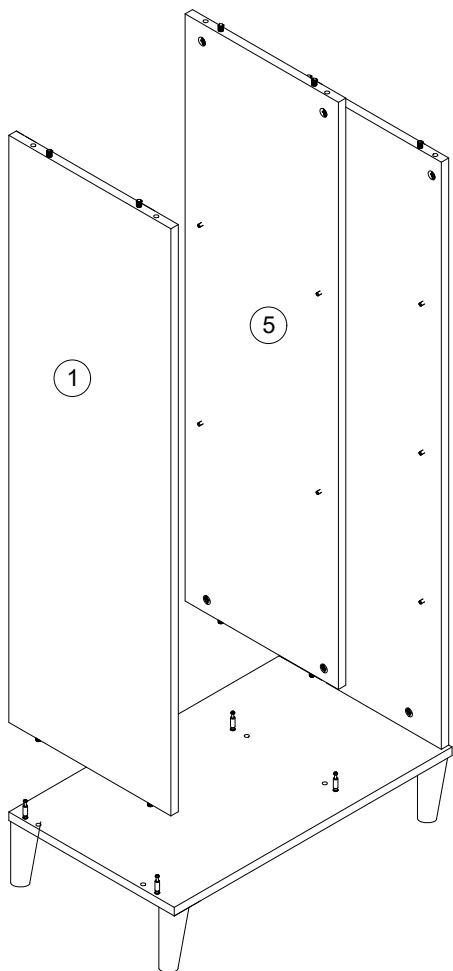
5



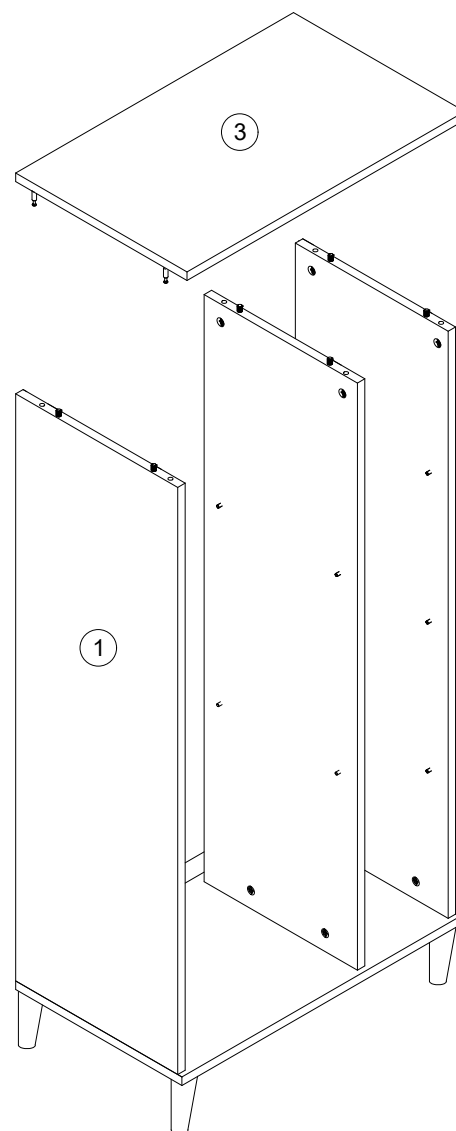
6



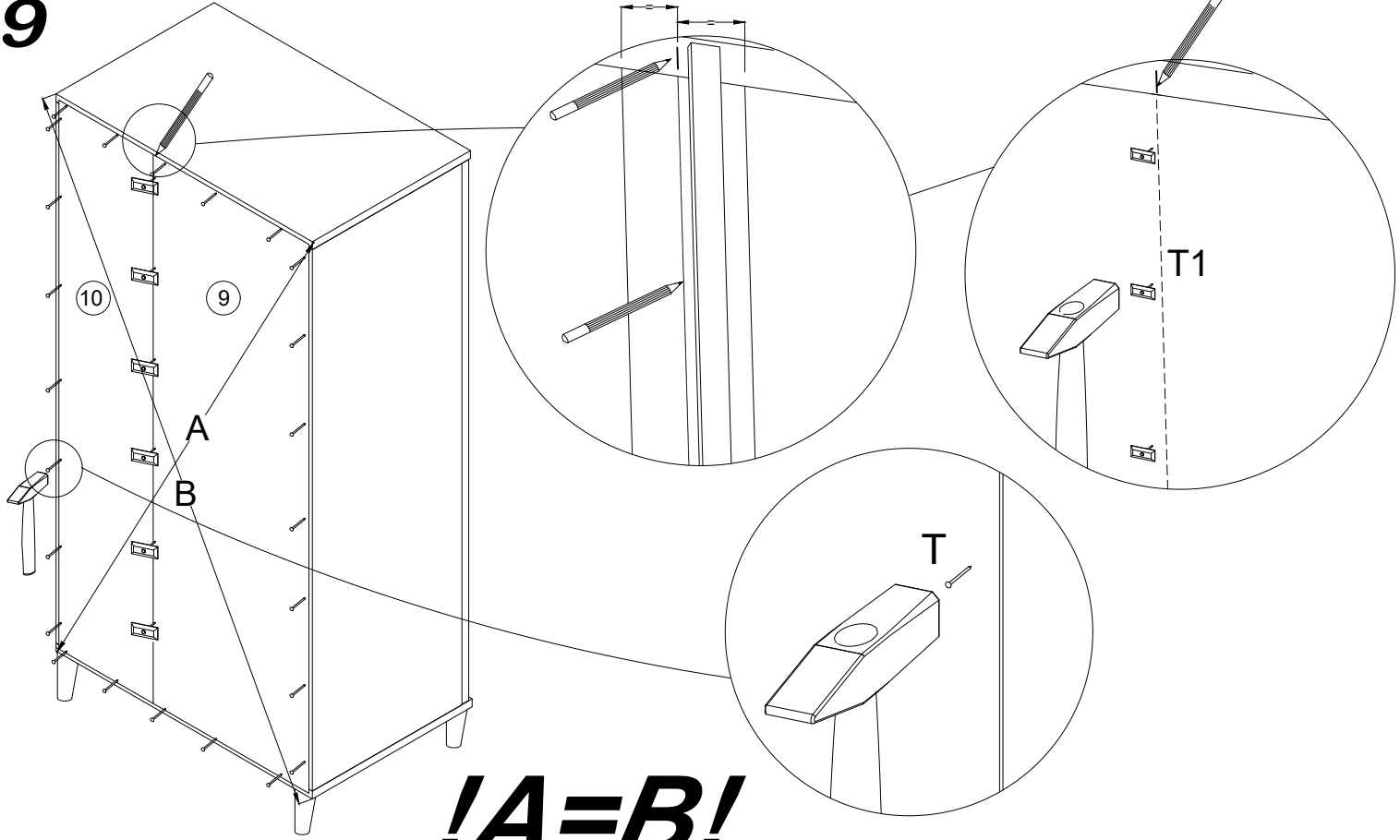
7



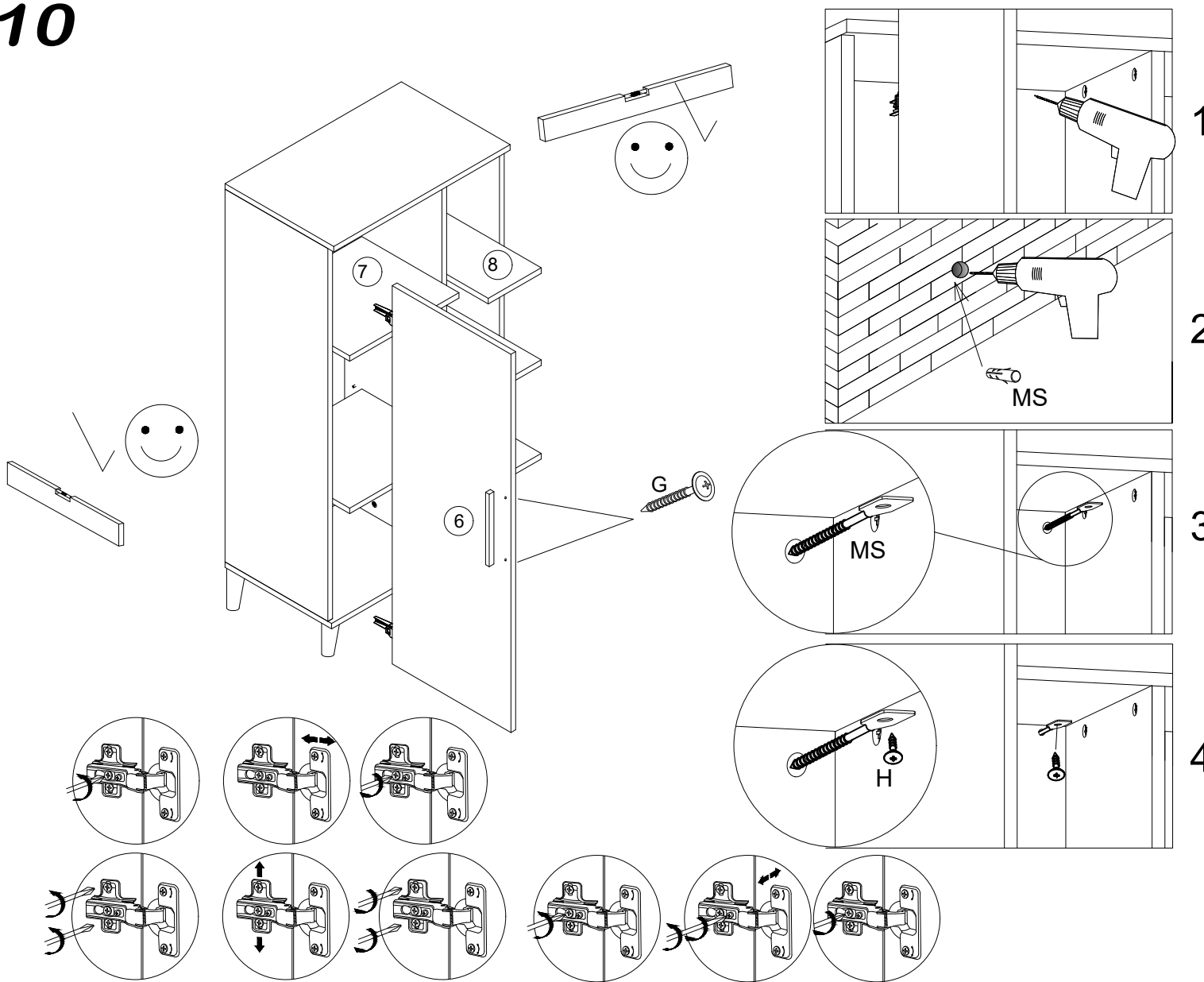
8

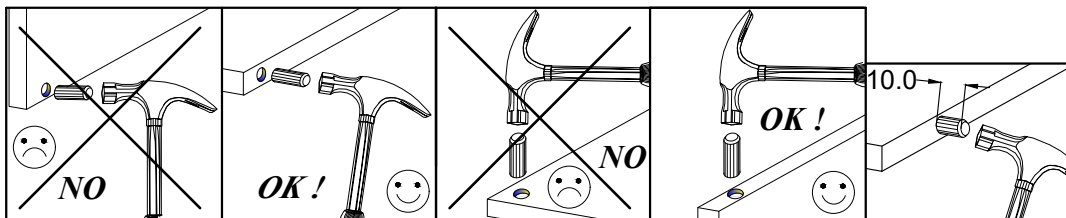
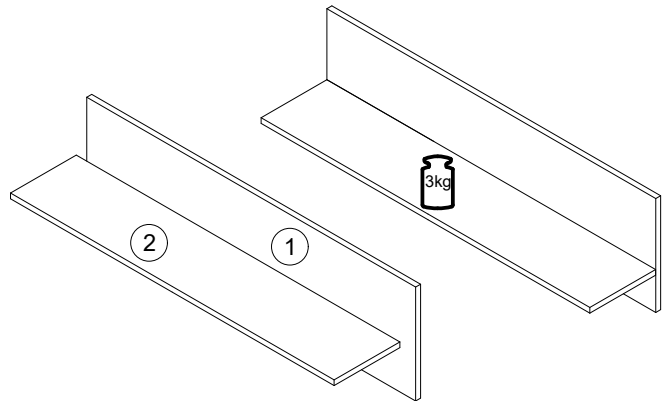
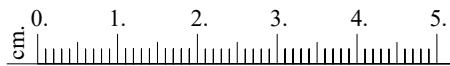
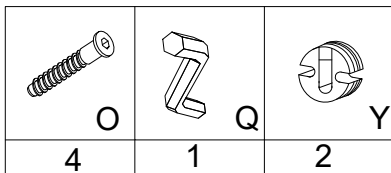
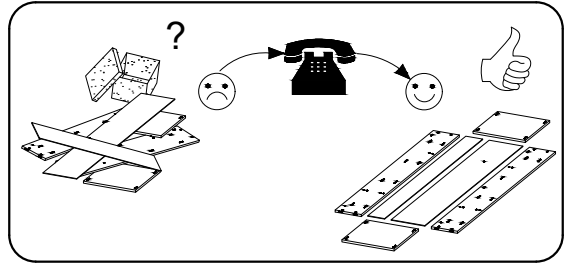
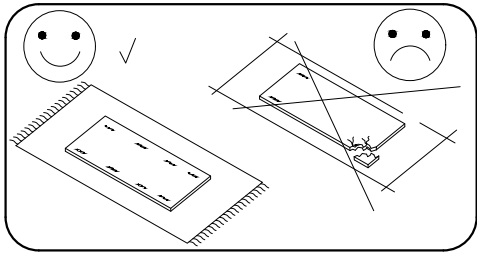
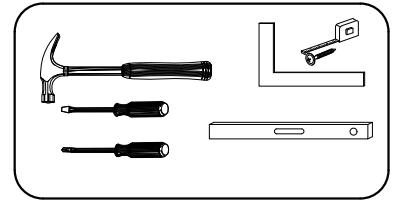
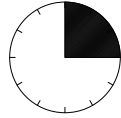
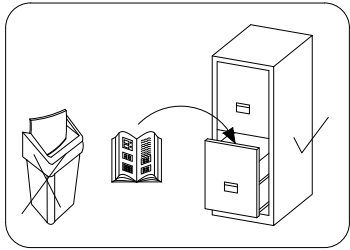
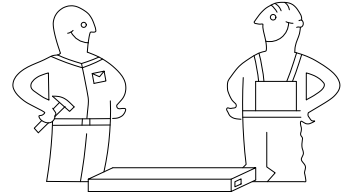


9

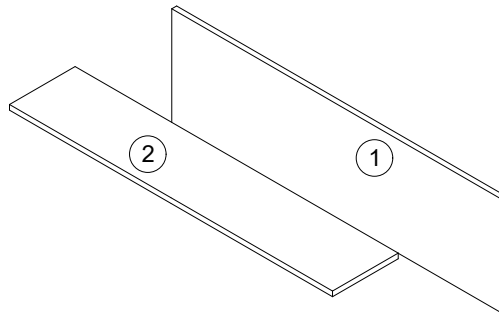


10

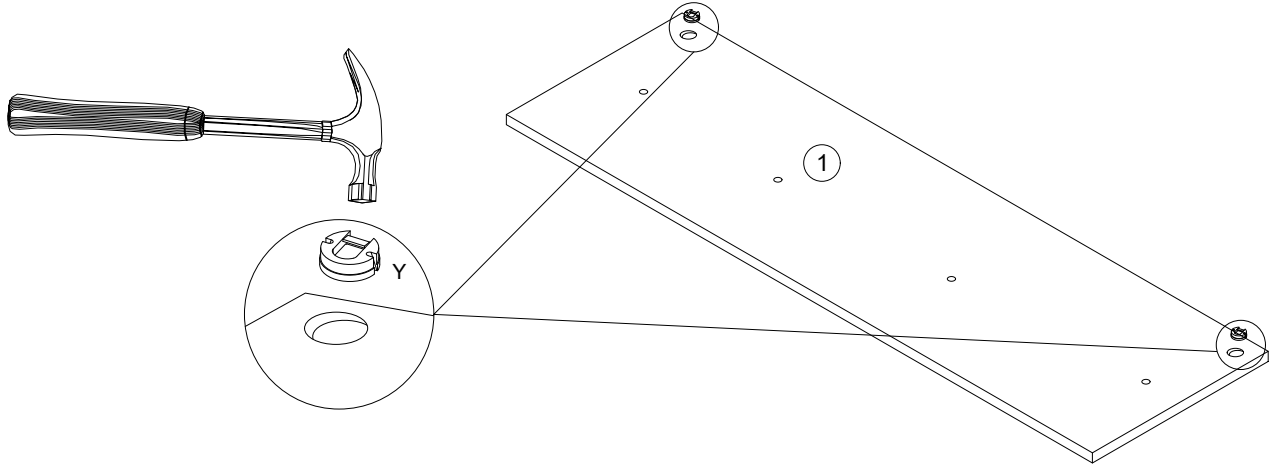




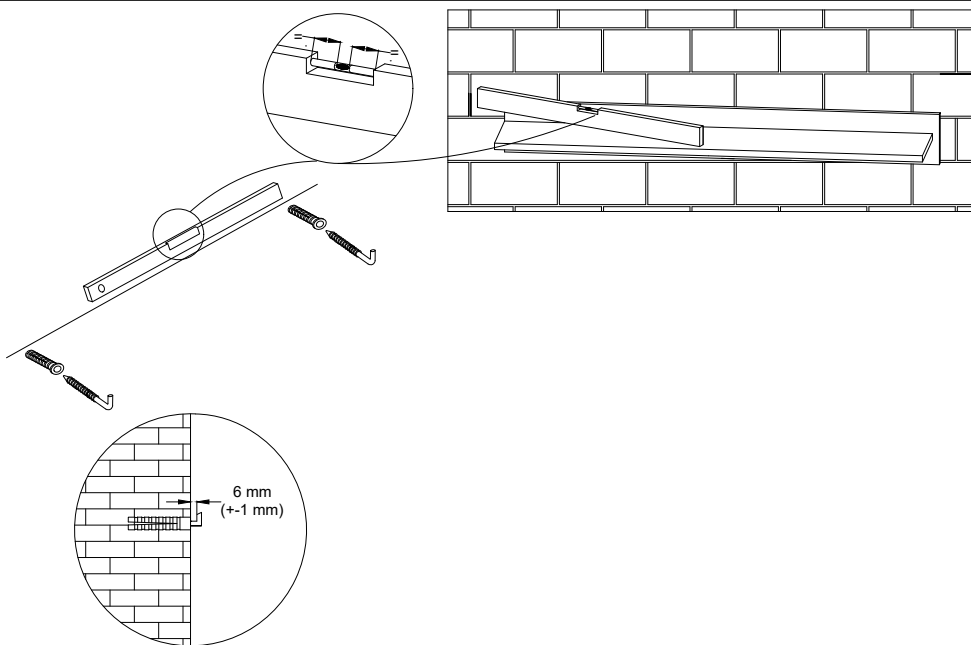
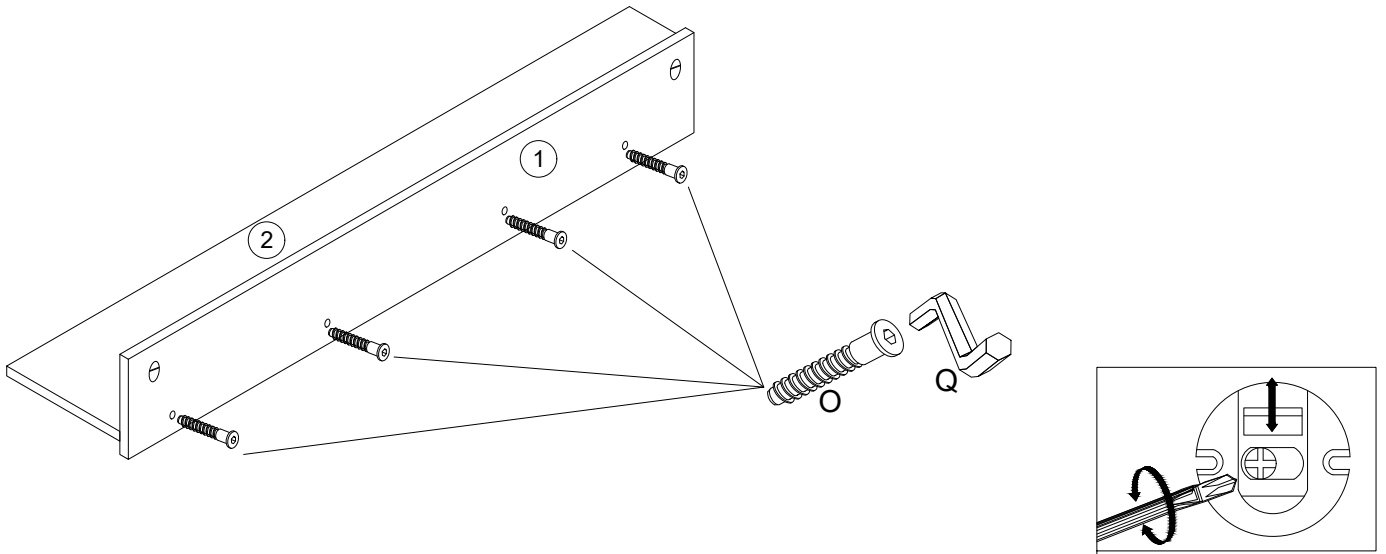
No.	Pcs.	L	W	D
1.	1	1000	120	18
2.	1	995	200	18

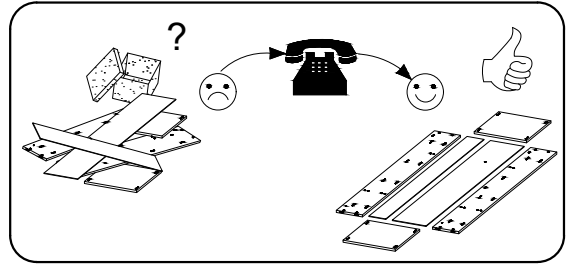
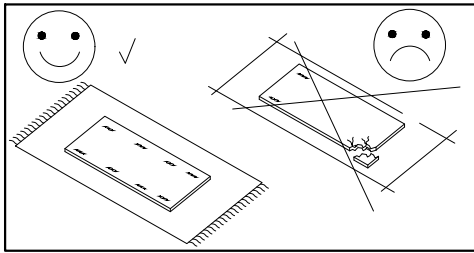
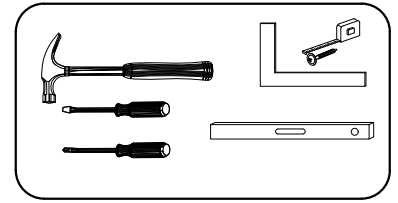
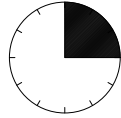
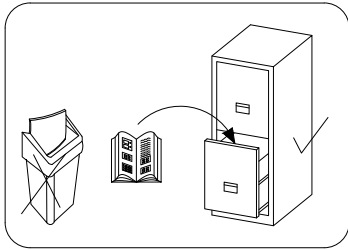
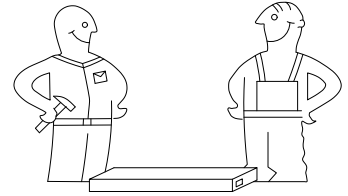


**1**

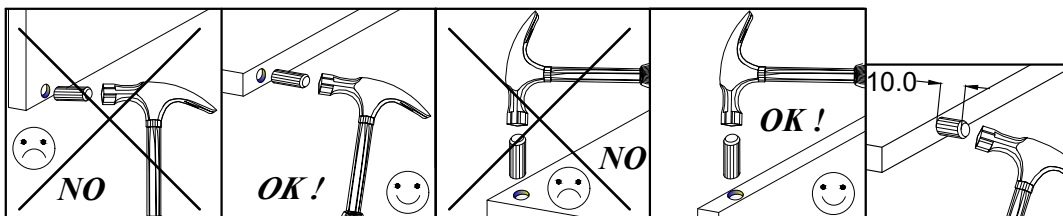


**2**

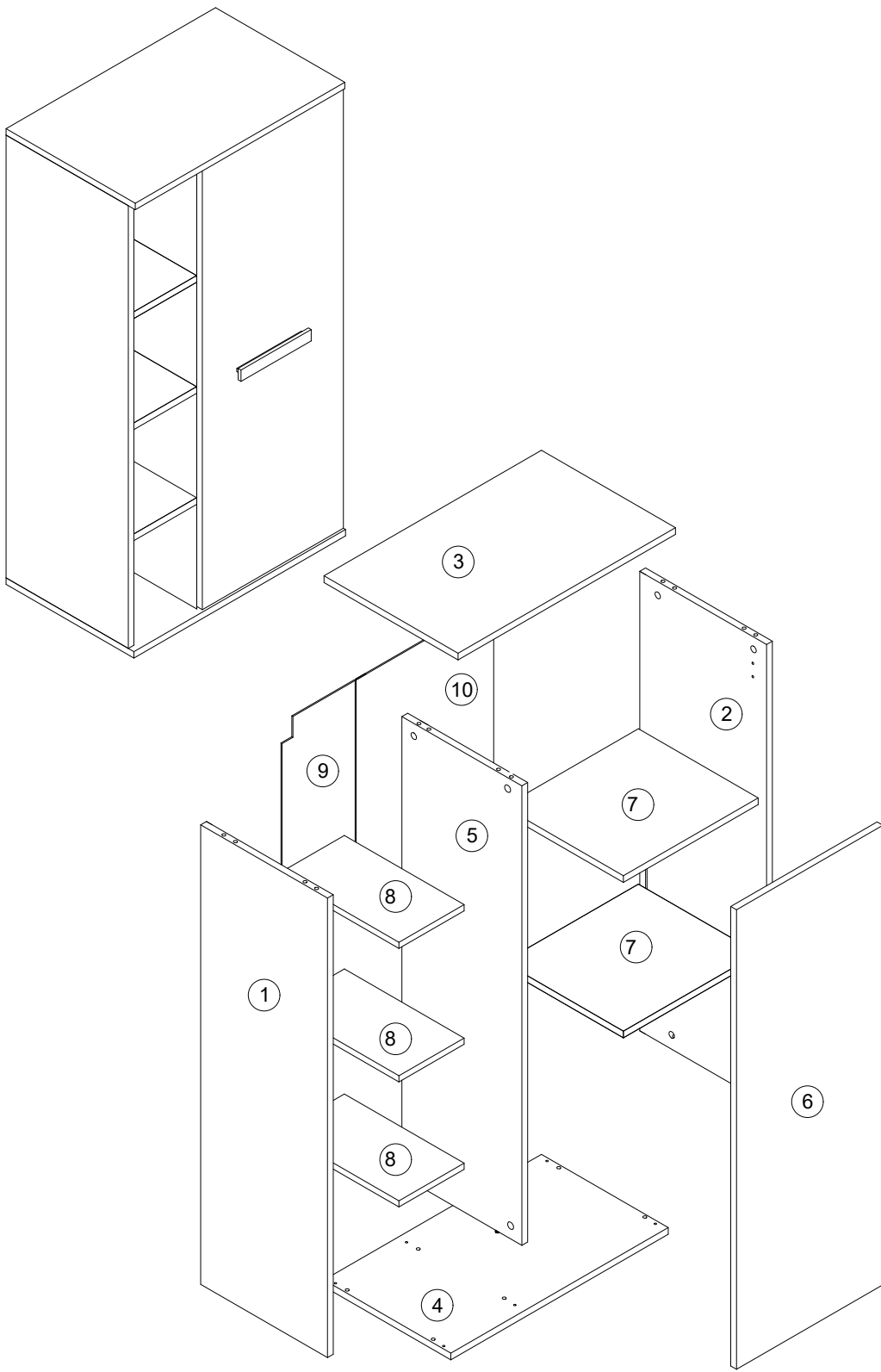




8.0x35  D 12	4.0x27  G 2	 A 12	Ø-15x12  B 12	3.5x16  H 4	 Z 2	 L 2	 T1 6
 X 12	 F 1	 L P W 1	 T 30	 S 20	4.0x30  P2 4	 BL 2	

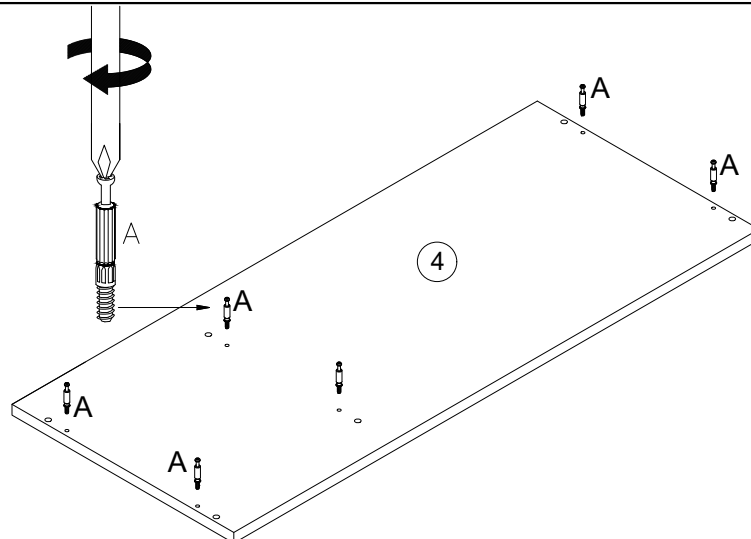


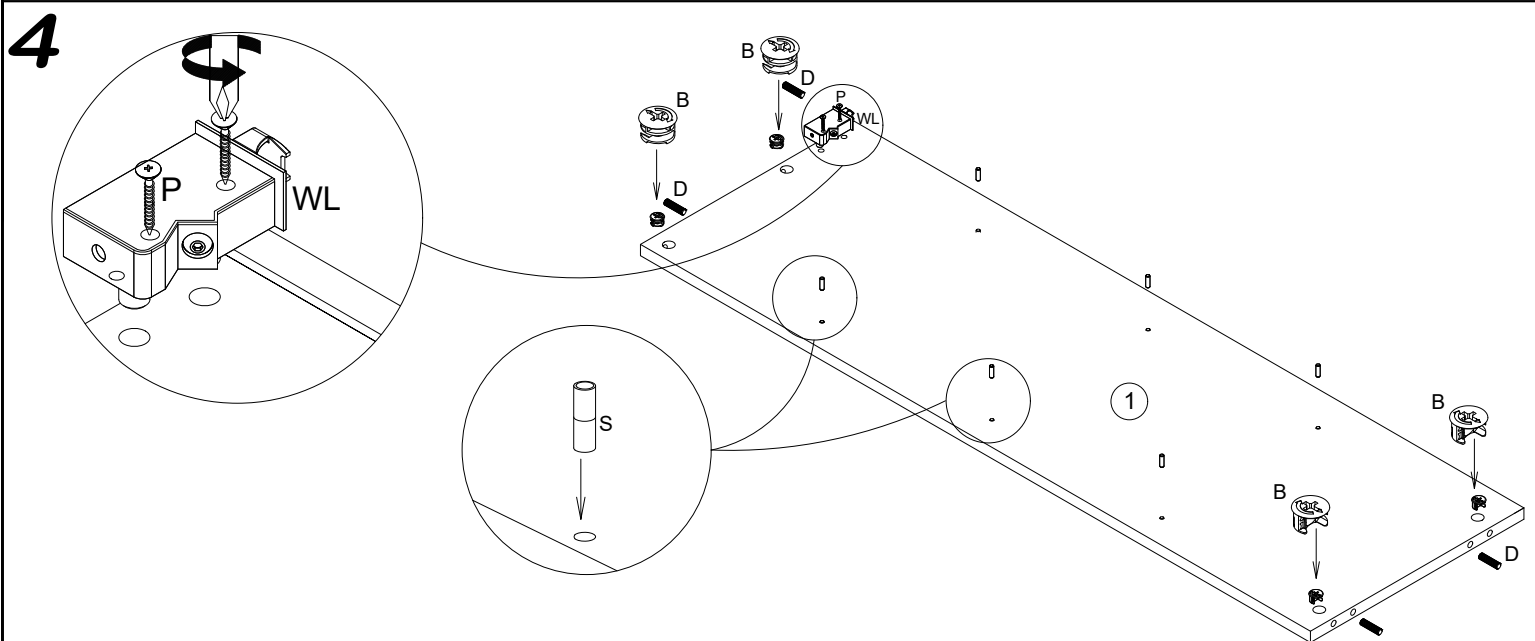
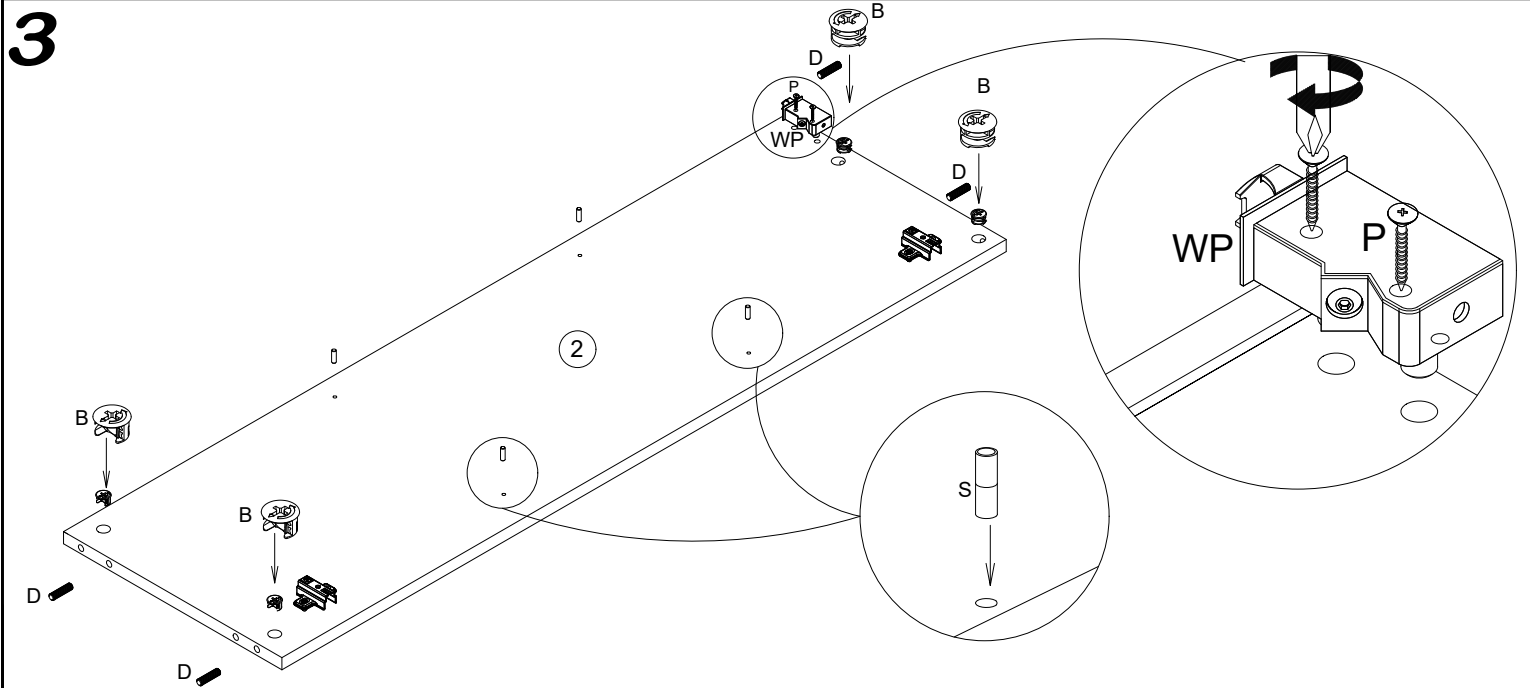
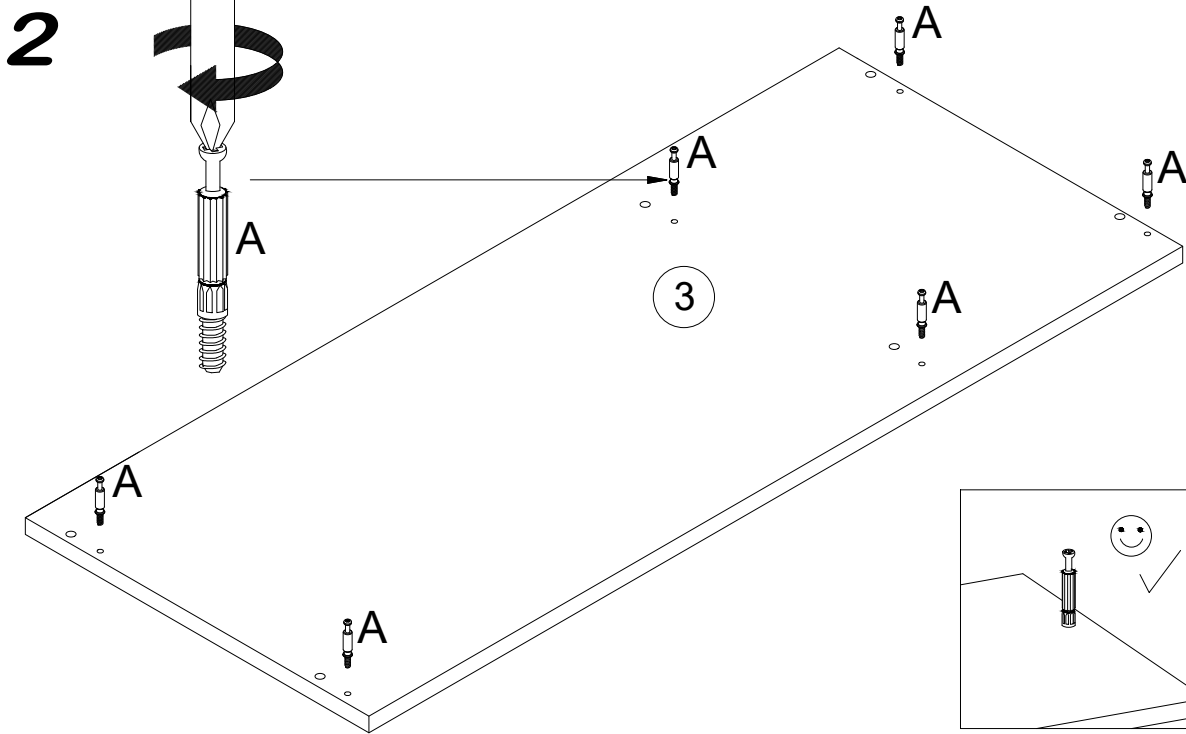




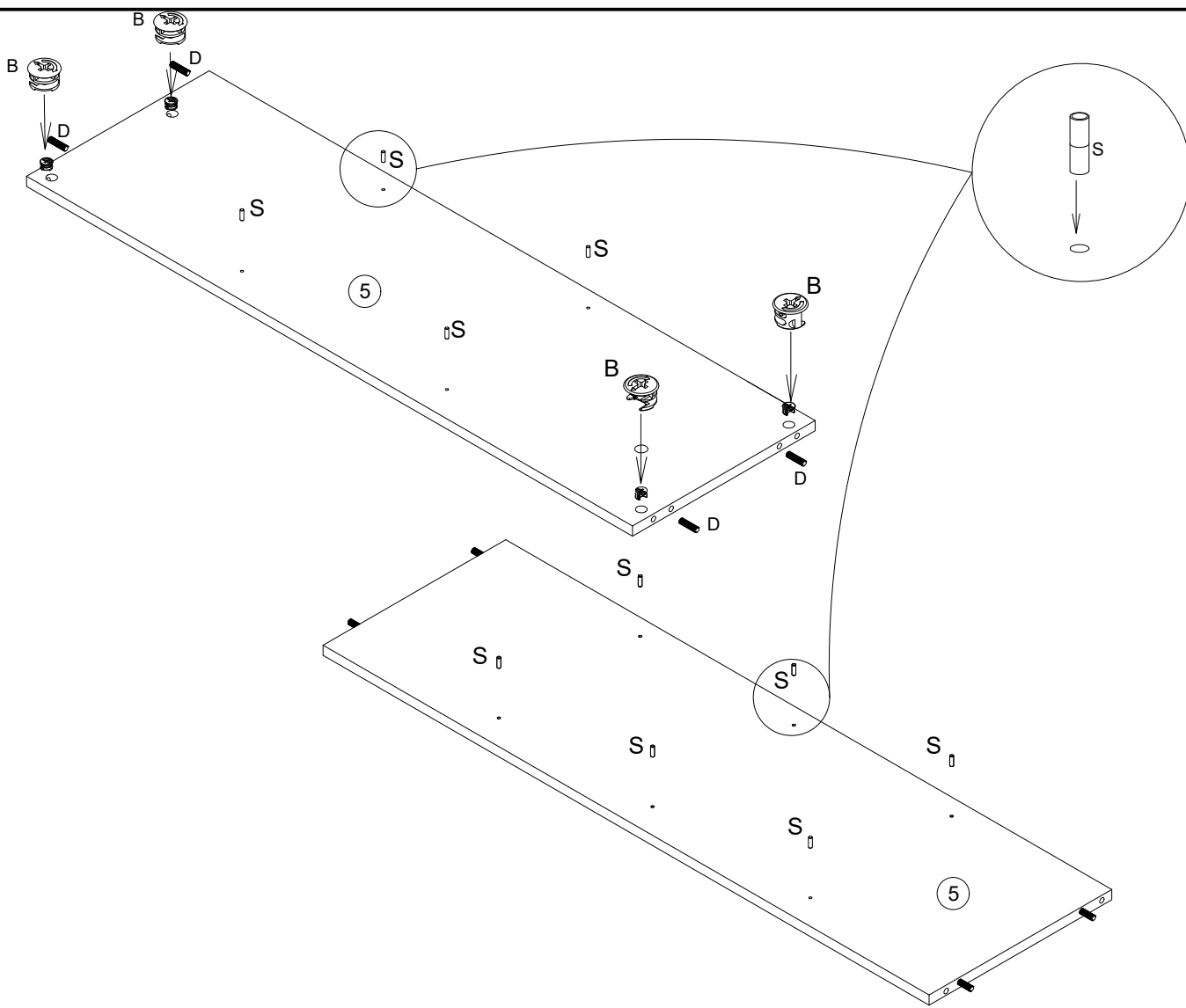
No.	Pcs.	L	W	D
1.	1	1100	280	18
2.	1	1100	280	18
3.	2	602	300	18
4.	1	602	300	18
5.	1	1100	280	18
6.	1	1094	395	18
7.	2	363	270	18
8.	3	182	270	18
9.	1	1130	205	3
10.	1	1130	388	3

1

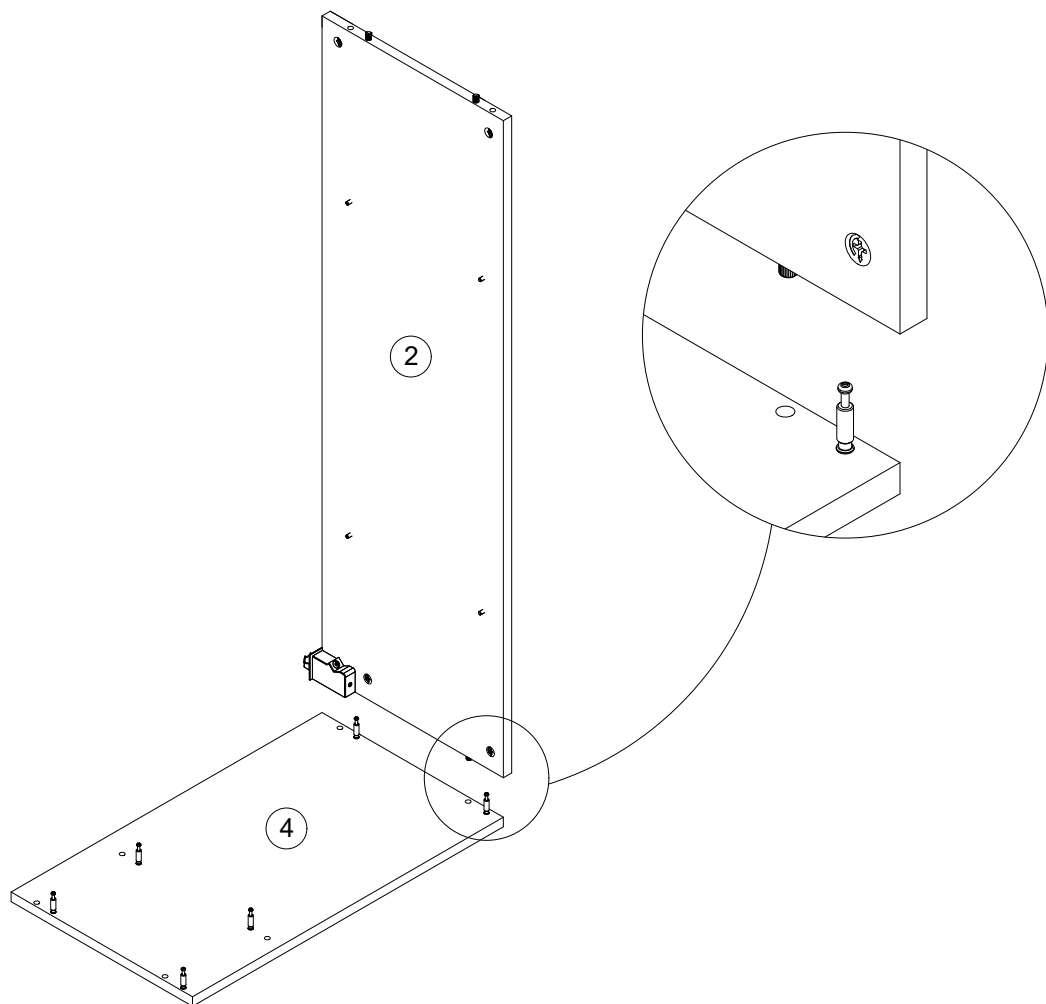




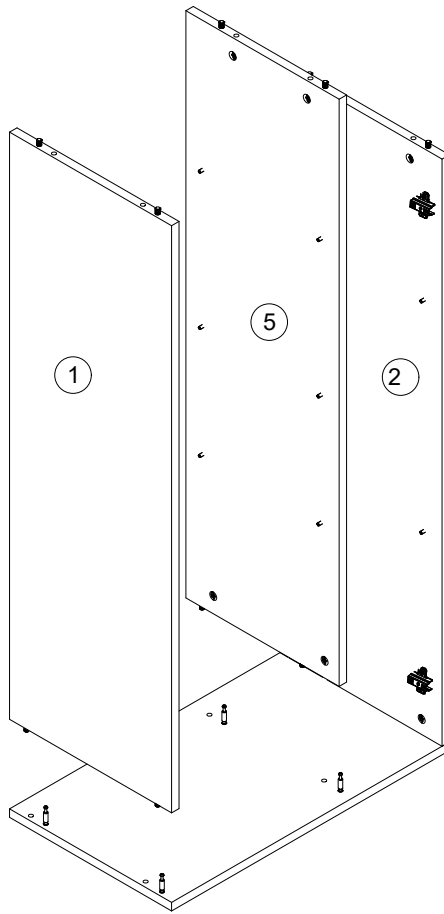
5



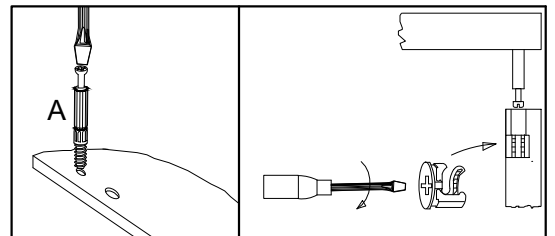
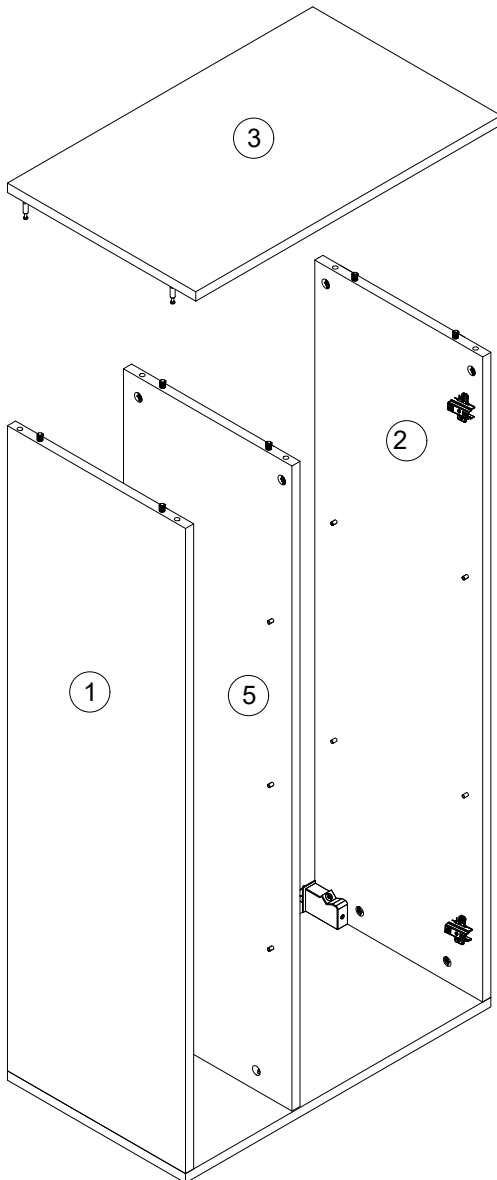
6



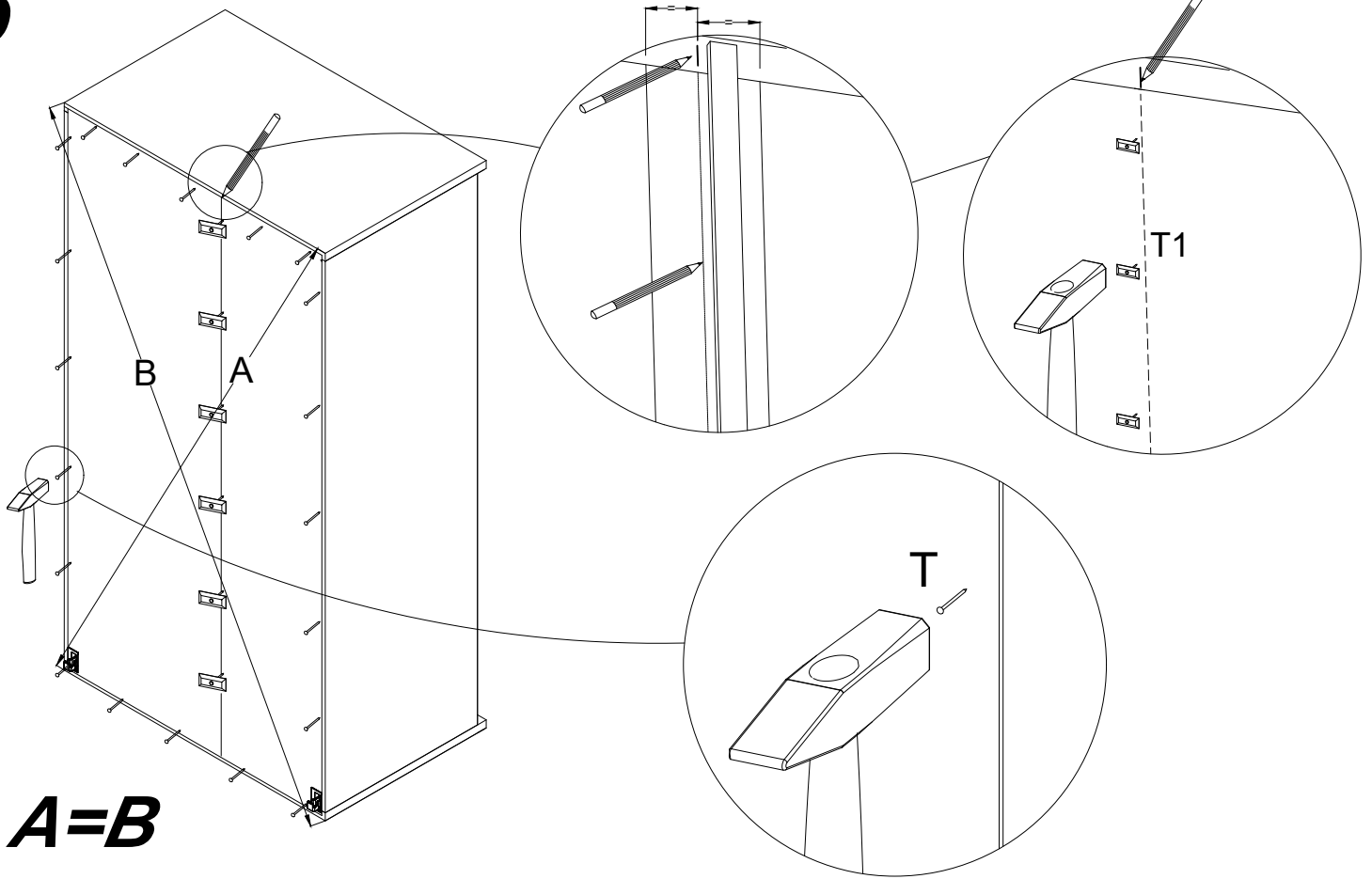
7



8



9



10

