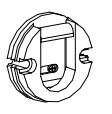


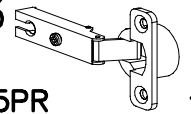
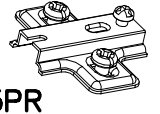
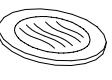

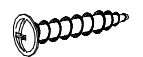
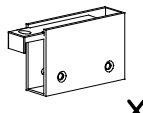


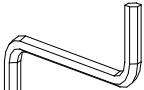
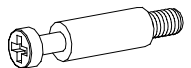


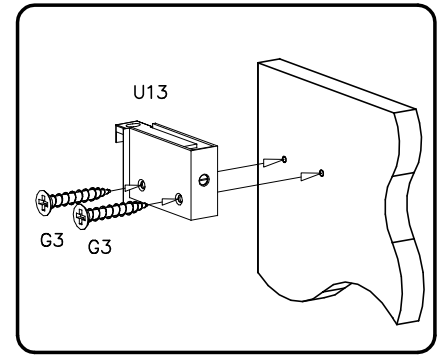
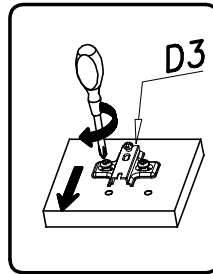
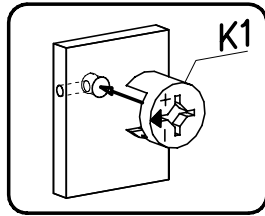
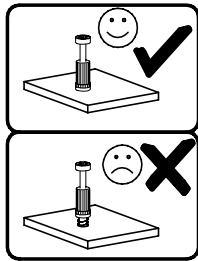
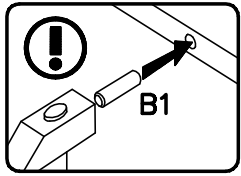
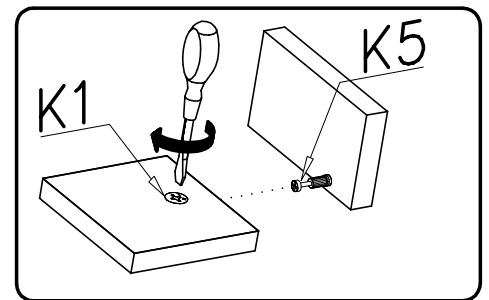
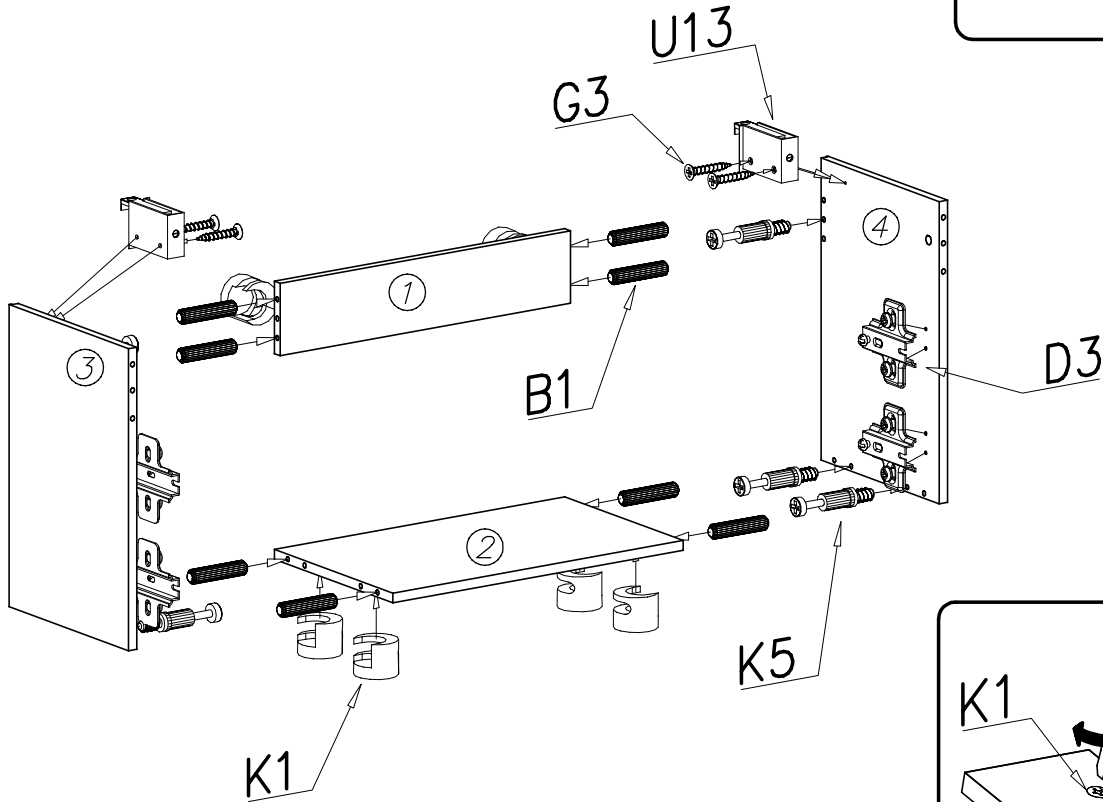


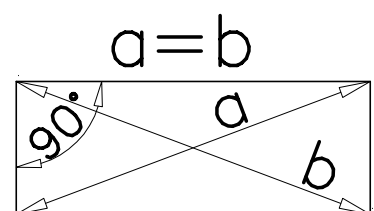
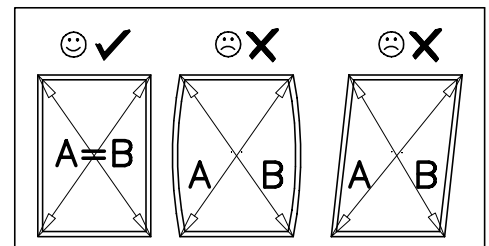
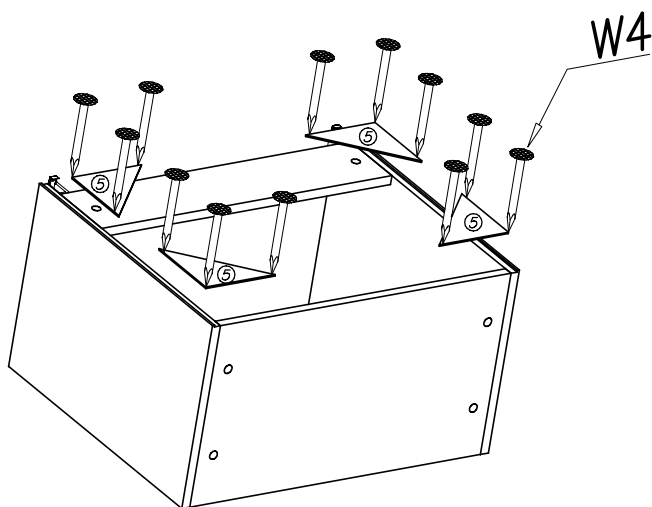
U1  x2	G20  5x13 x4	E35  x2	C3  Z35PR x4	D3  PZ35PR x4
I8  ø20 x12	G4  4x16 x8	G16  4x27 x2	U13  x2	G3  4x30 x4
K1  ø15x12 x12	W2  4mm x1	K5  x12	W4  x25	B1  ø8x35 x12



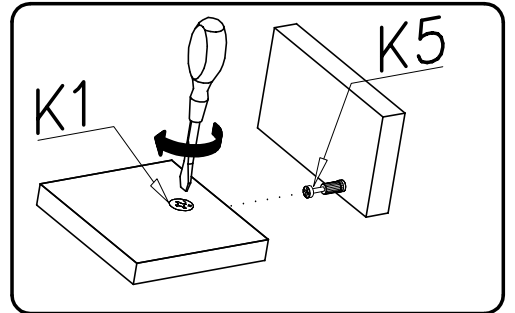
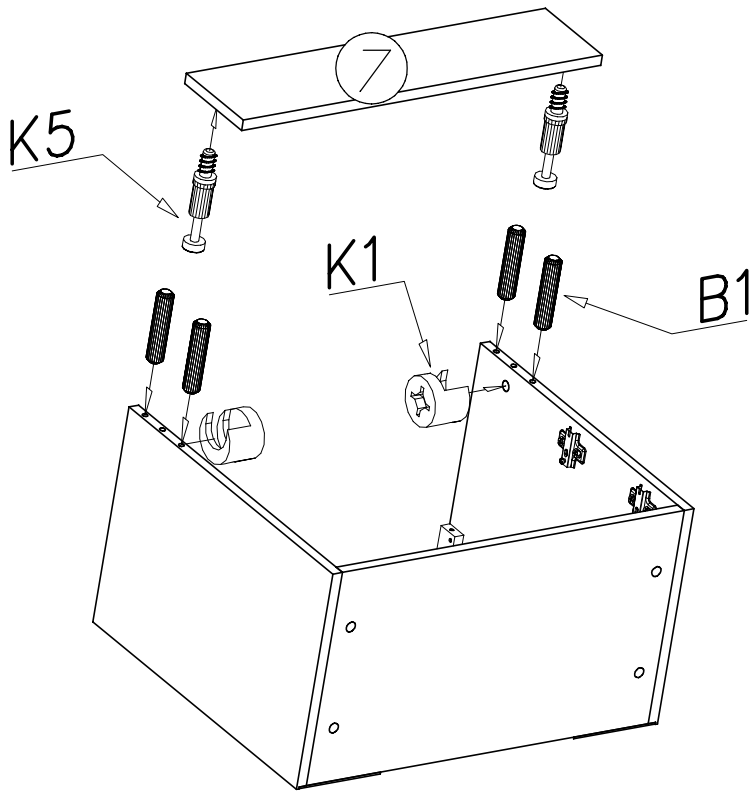
1



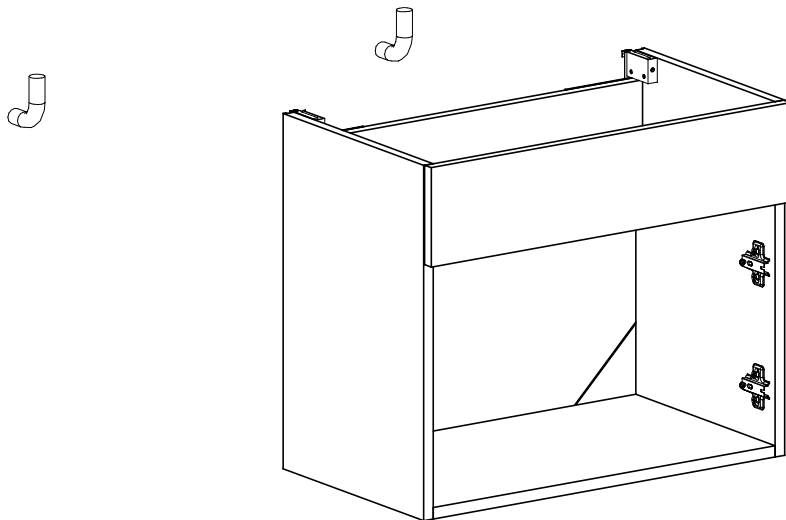
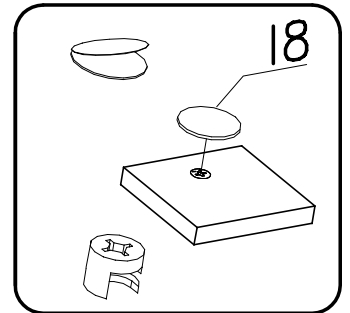
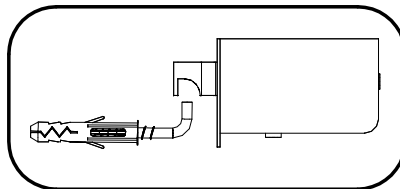
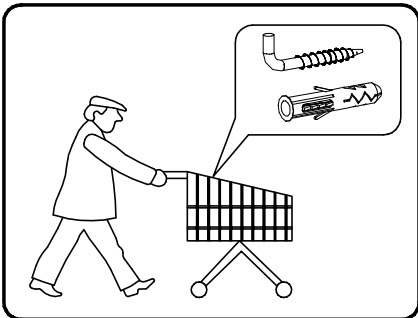
2



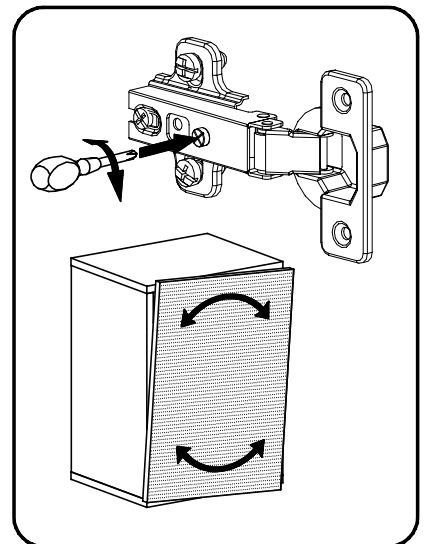
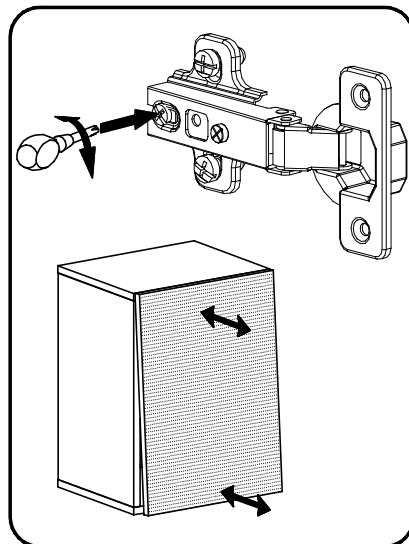
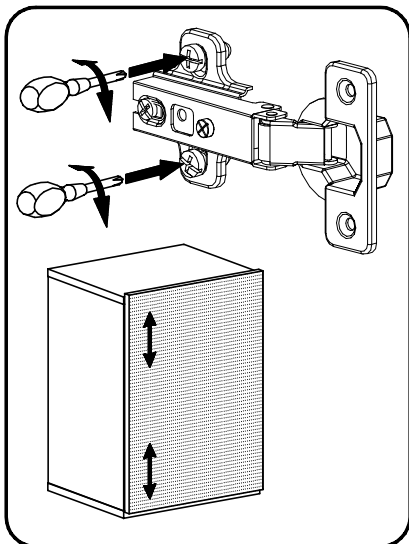
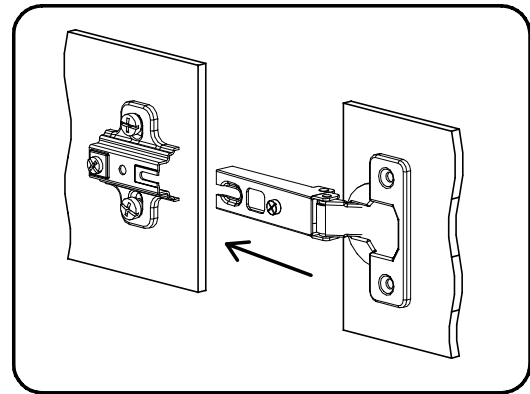
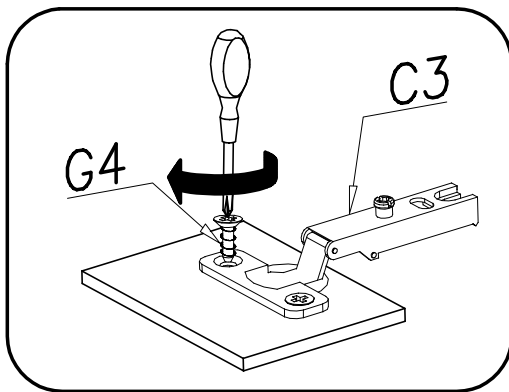
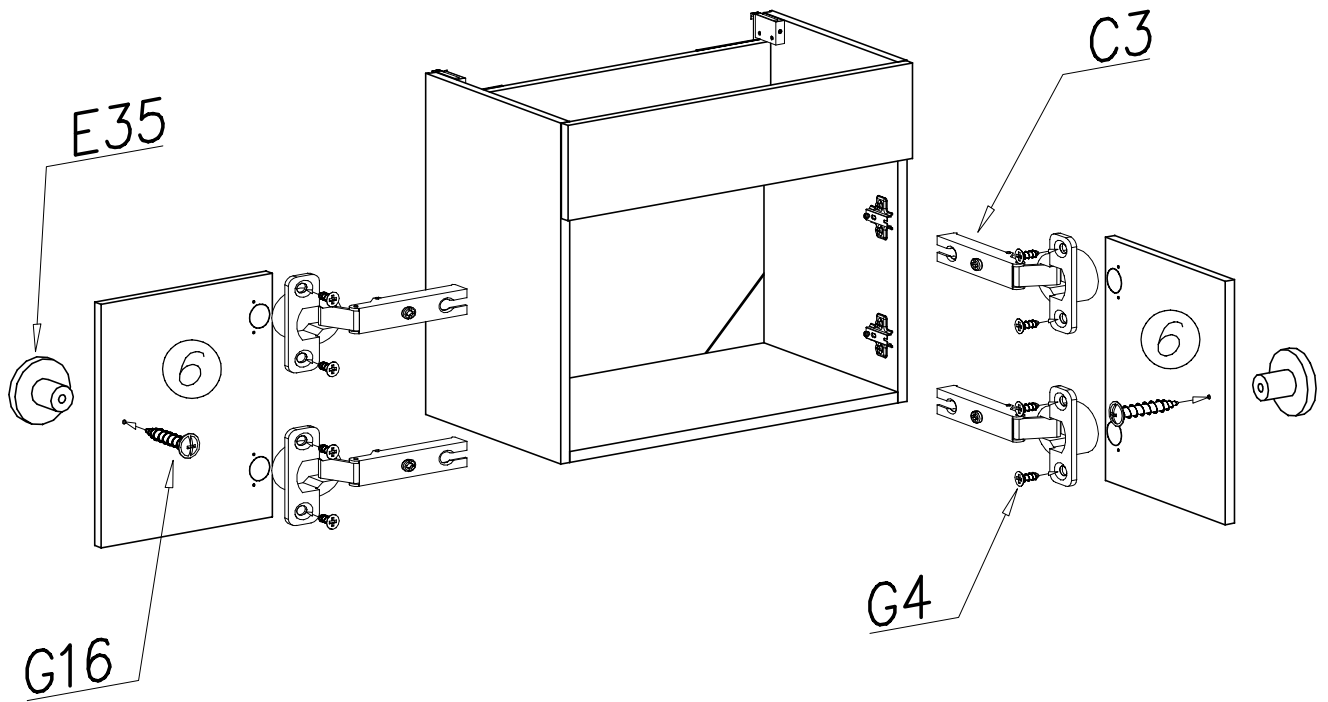
3



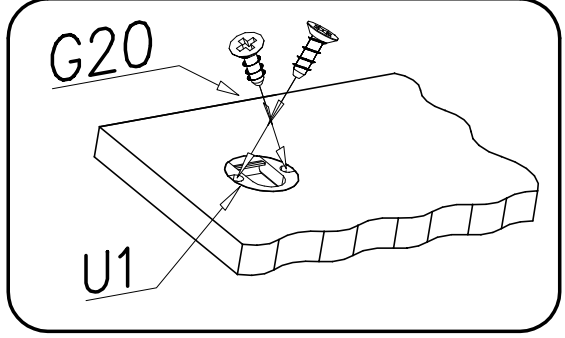
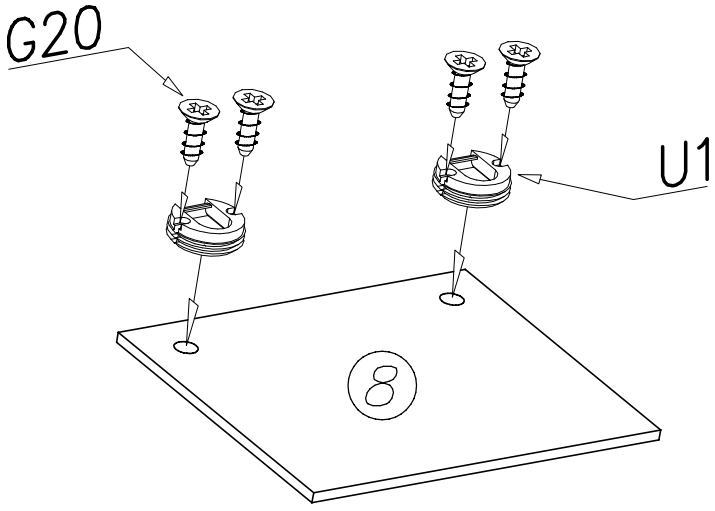
4



5



6



7

