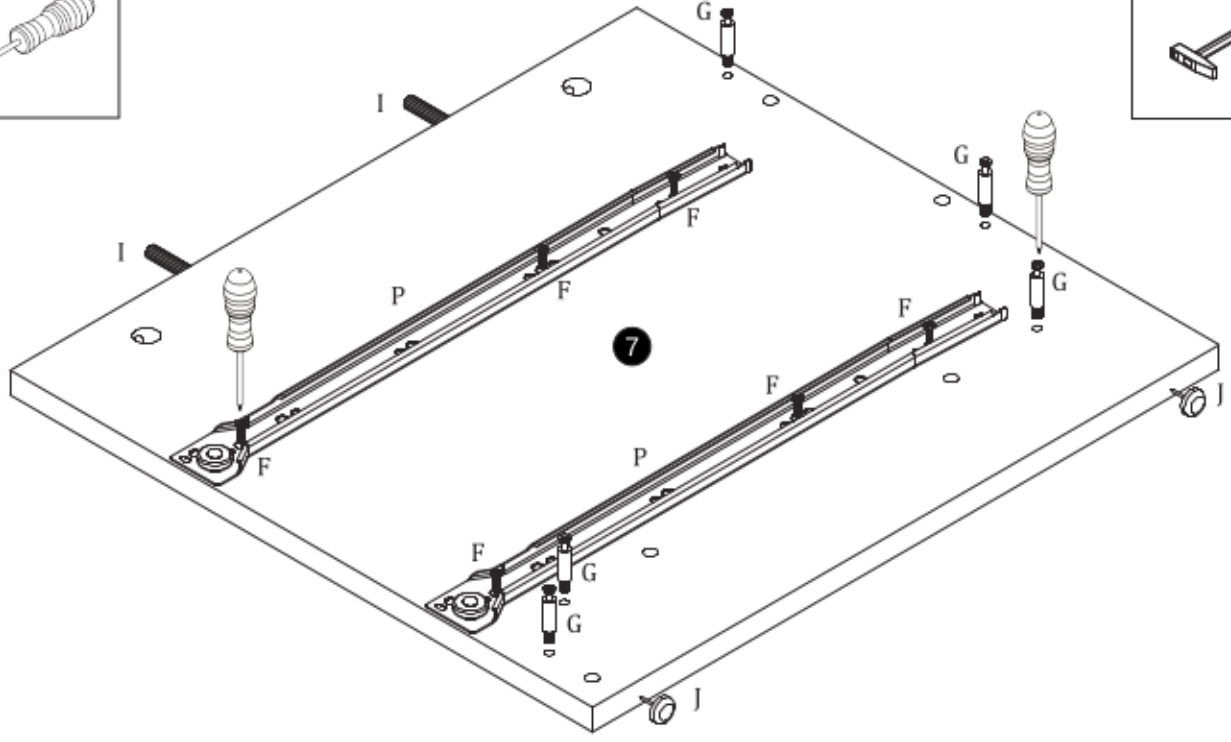
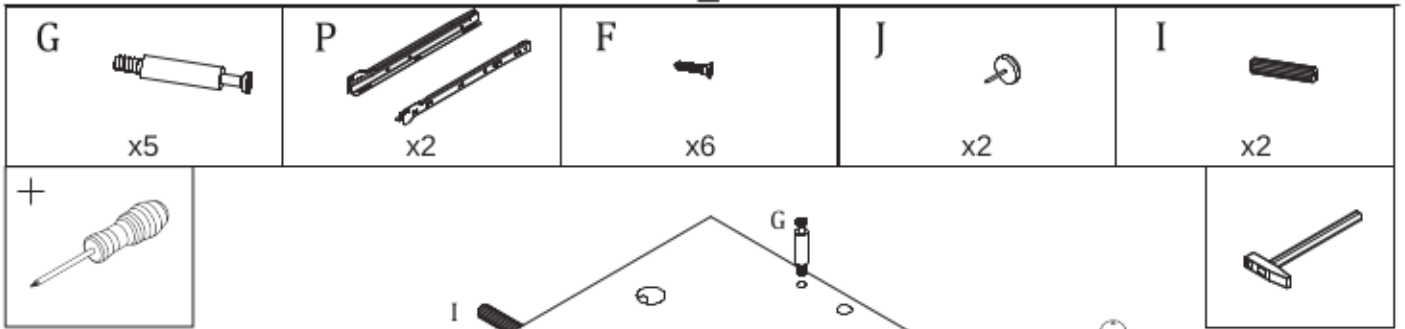
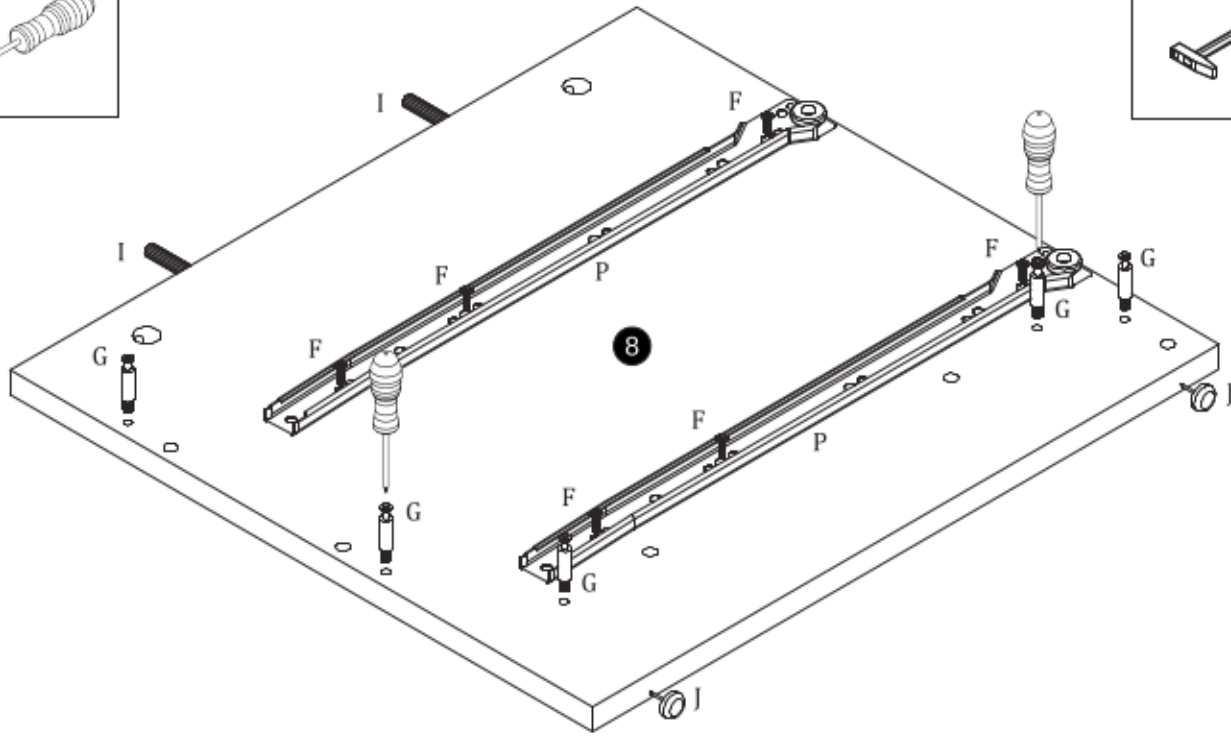
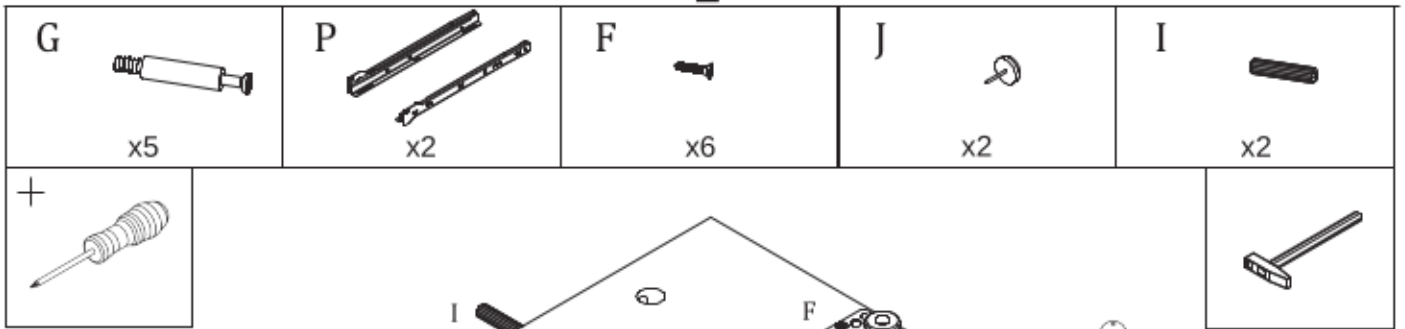


<p>I</p> <p>Ø8x35mm x66</p>	<p>G</p> <p>x58</p>	<p>H</p> <p>x58</p>	<p>J</p> <p>x6</p>	<p>K</p> <p>x58</p>	<p>K1</p> <p>x1</p>
<p>P</p> <p>x2</p>	<p>F</p> <p>x24</p>	<p>N</p> <p>x6</p>	<p>K2</p> <p>x6</p>	<p>R</p> <p>x4</p>	<p>U</p> <p>x2</p>

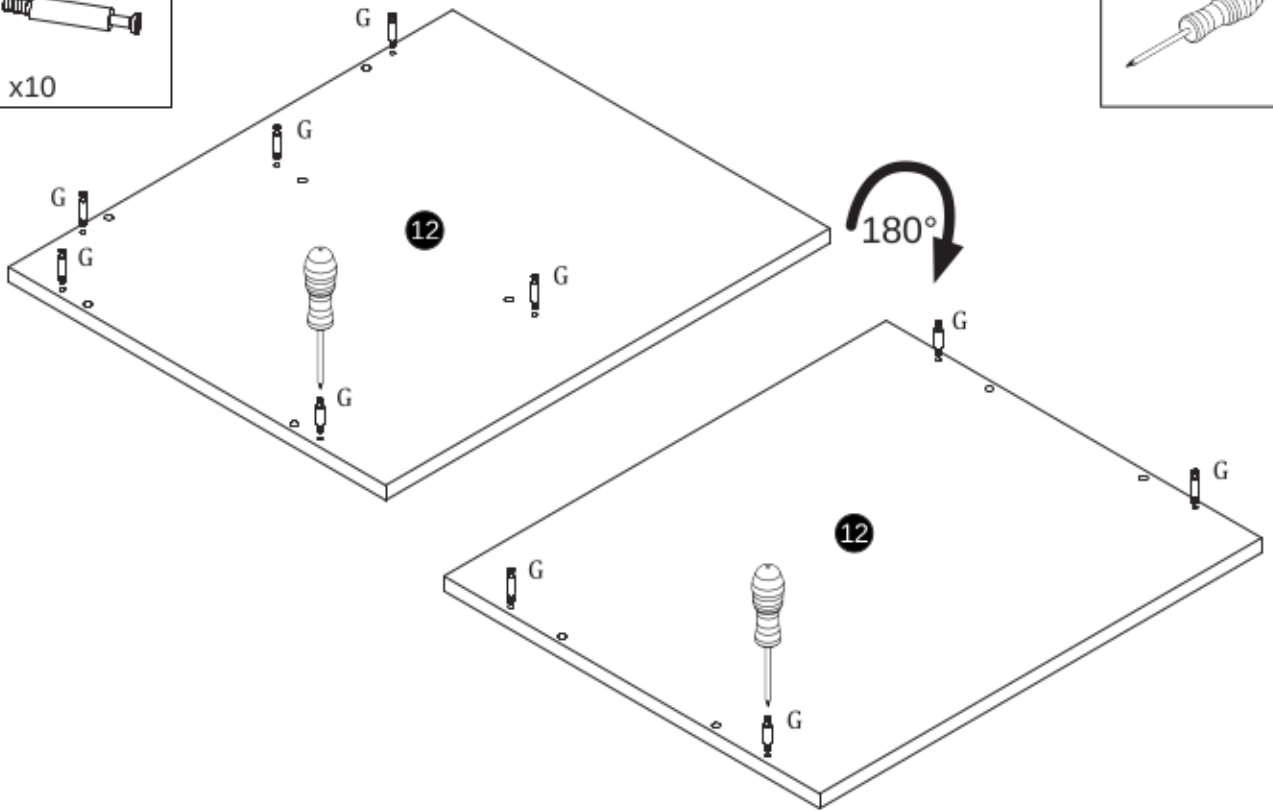
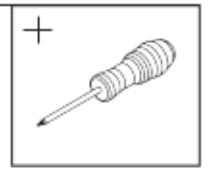
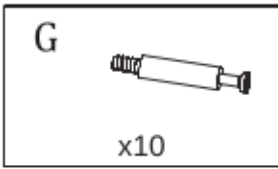
# 1



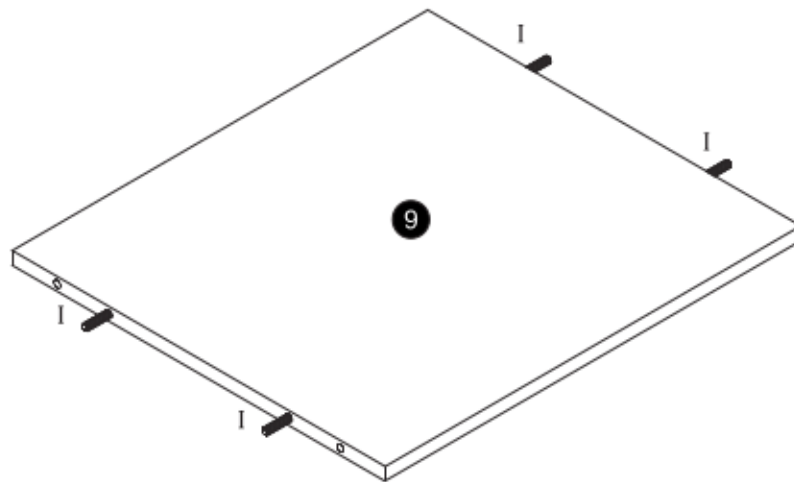
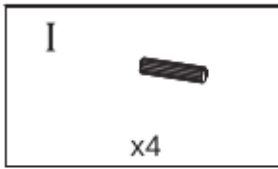
# 2



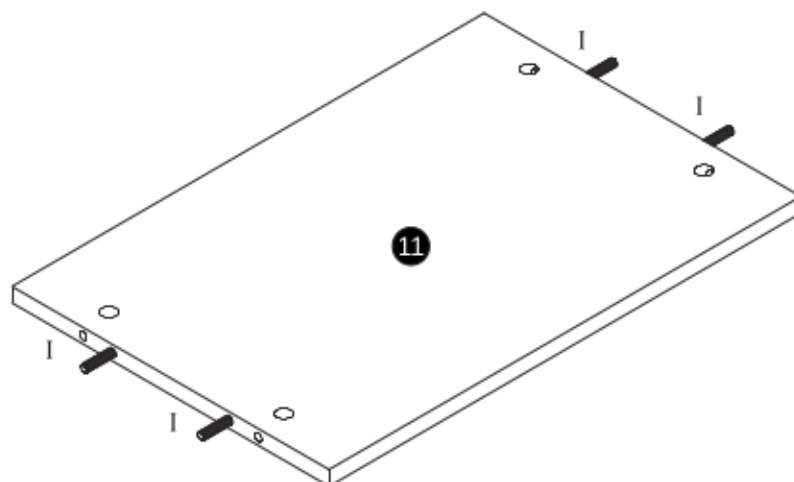
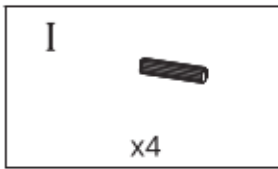
3



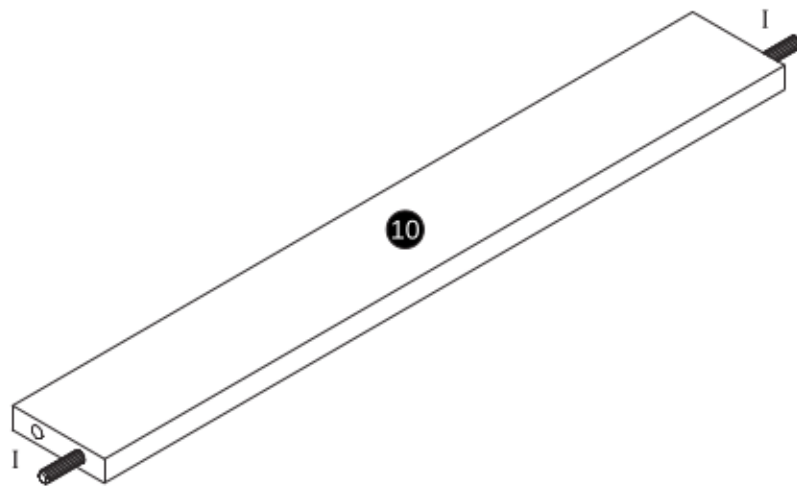
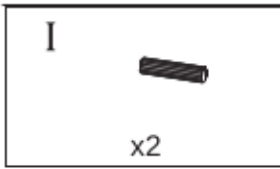
4



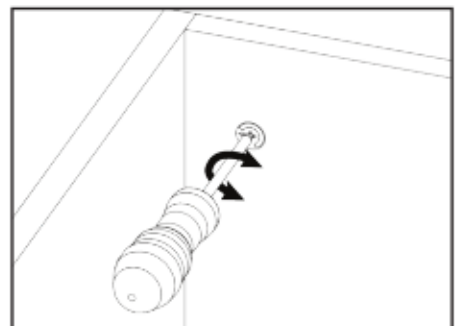
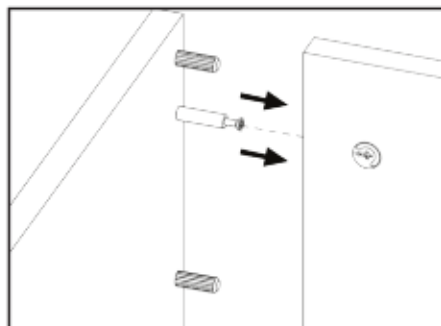
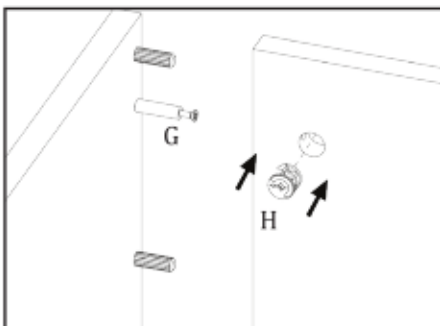
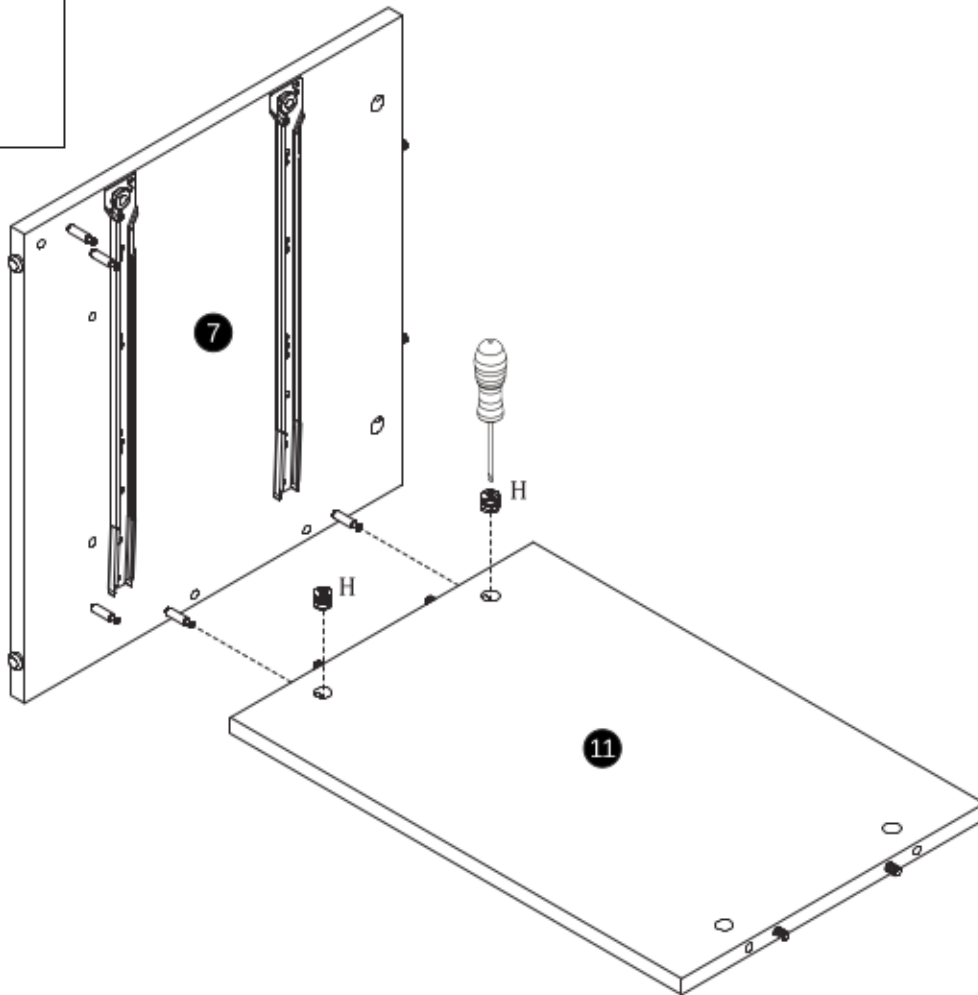
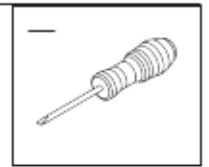
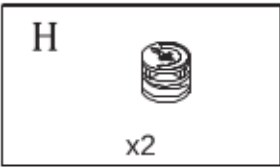
5

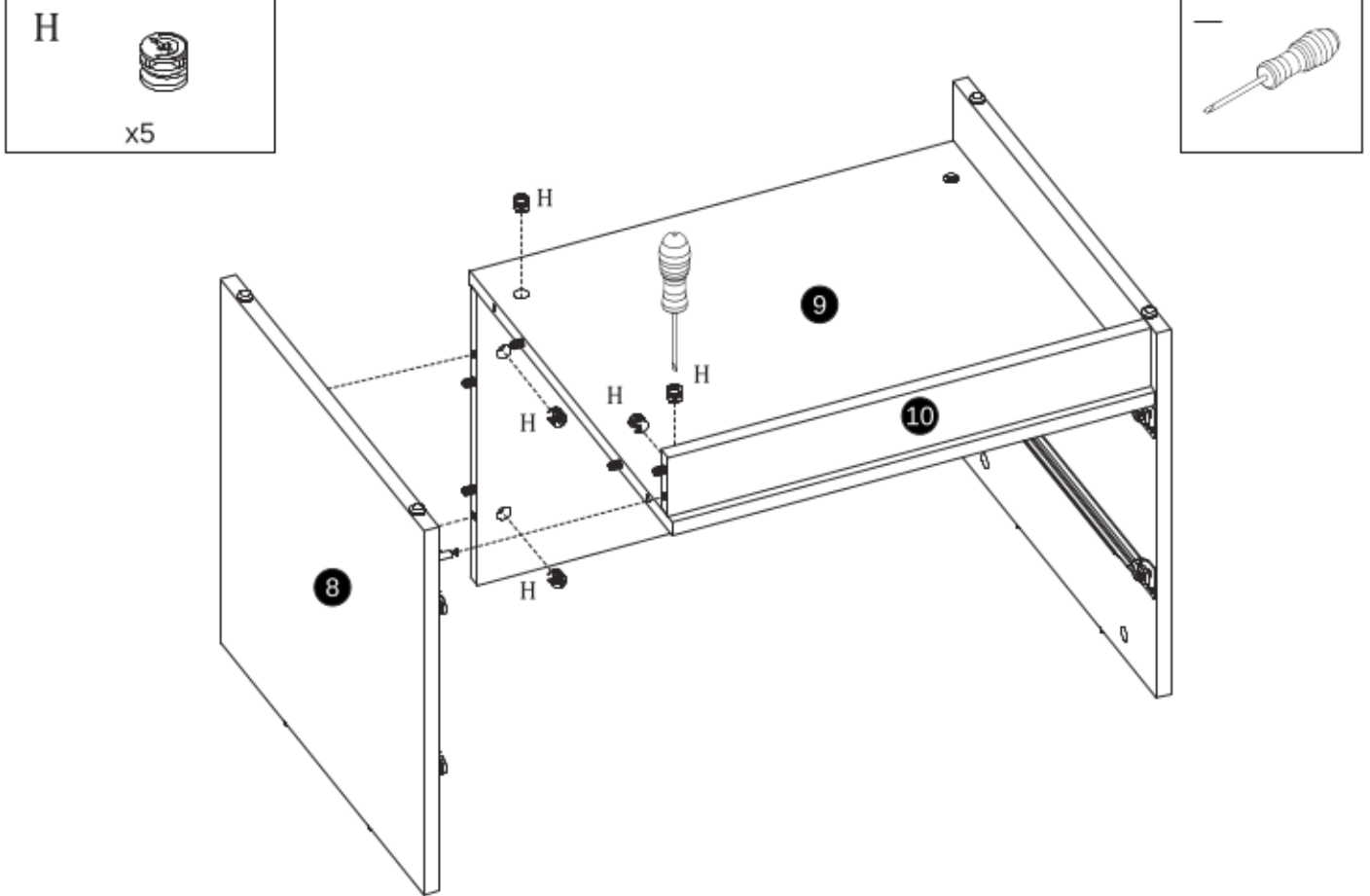
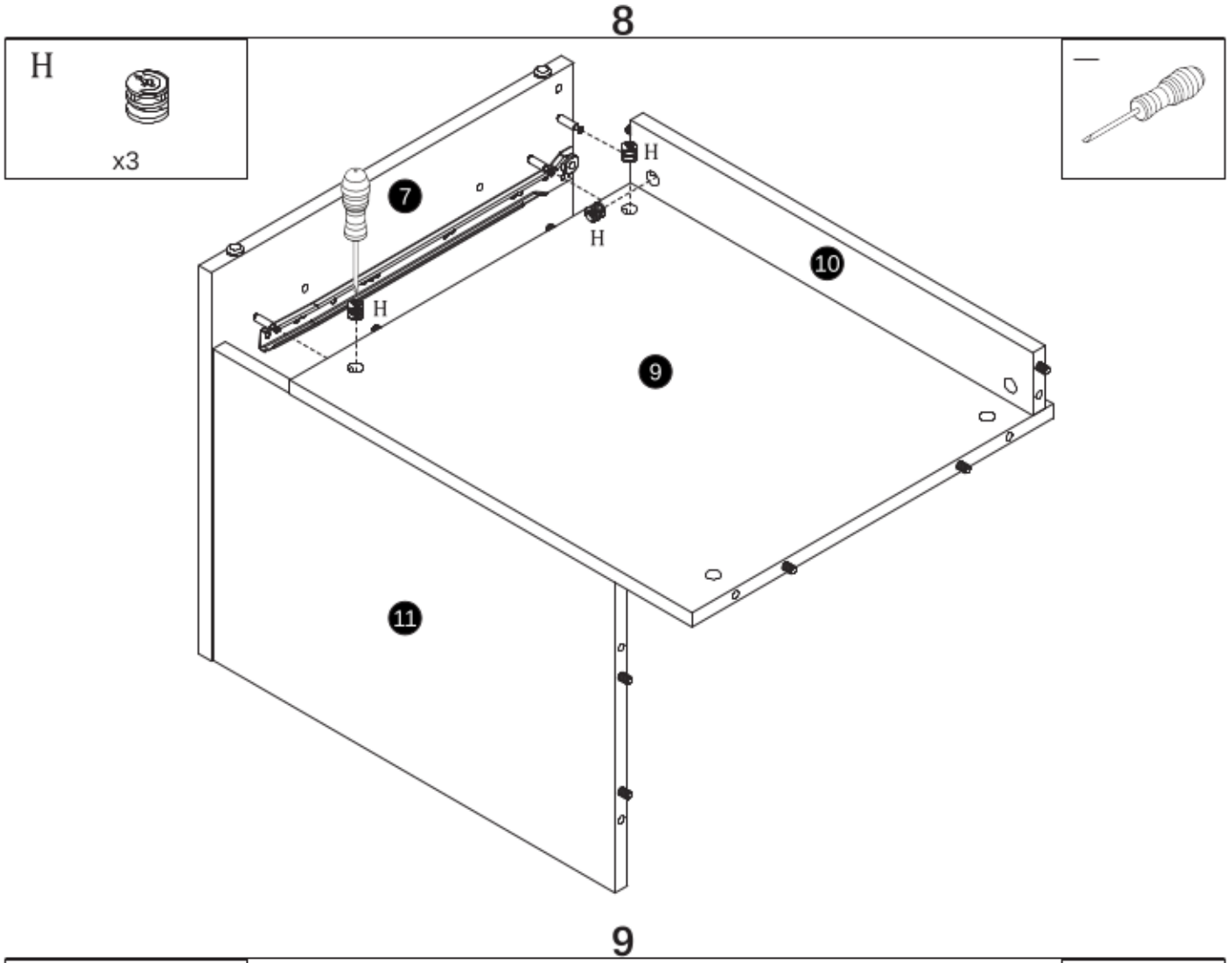


6

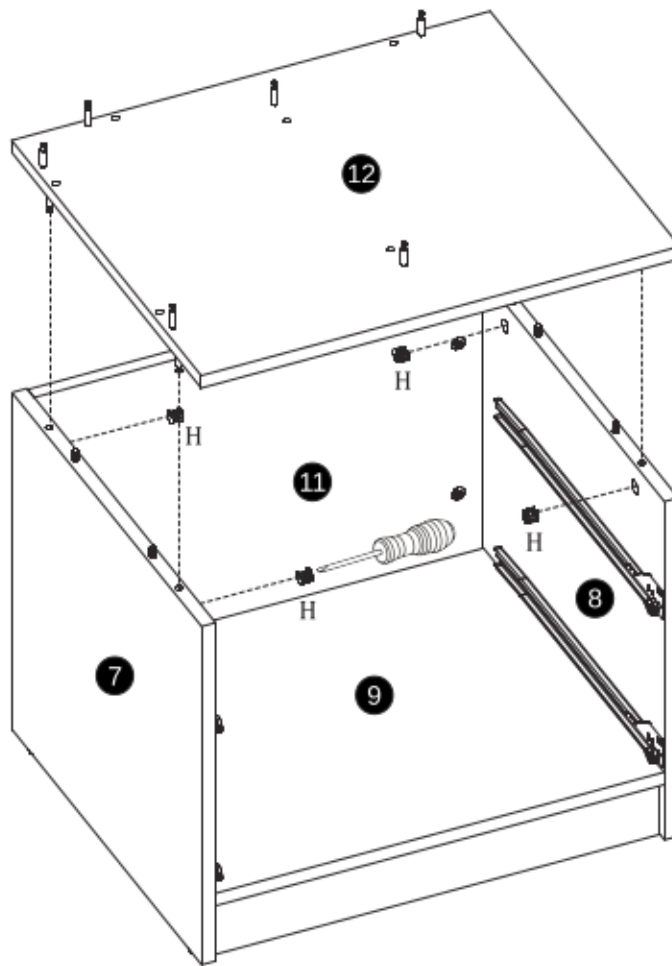
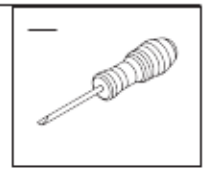
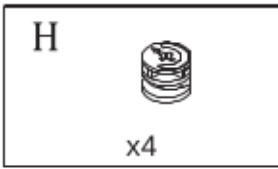


7

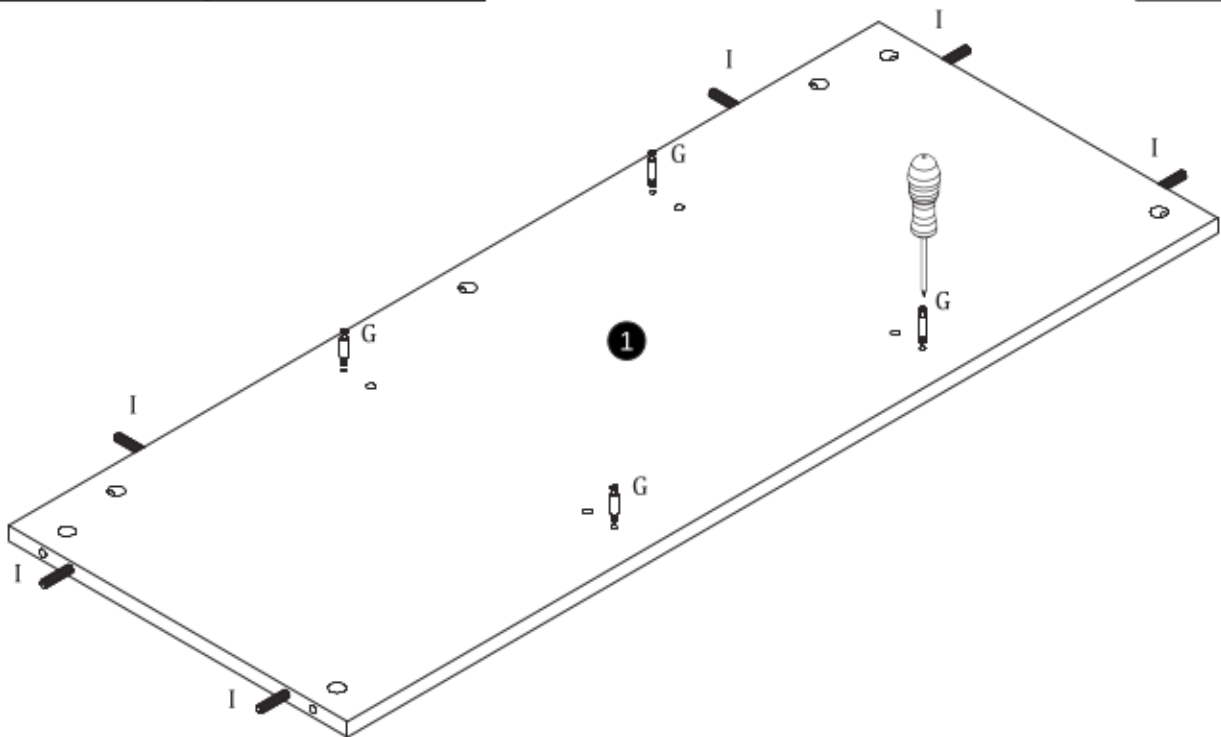
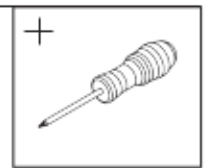
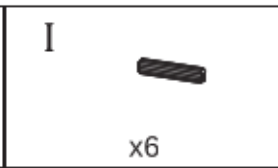
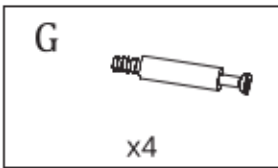




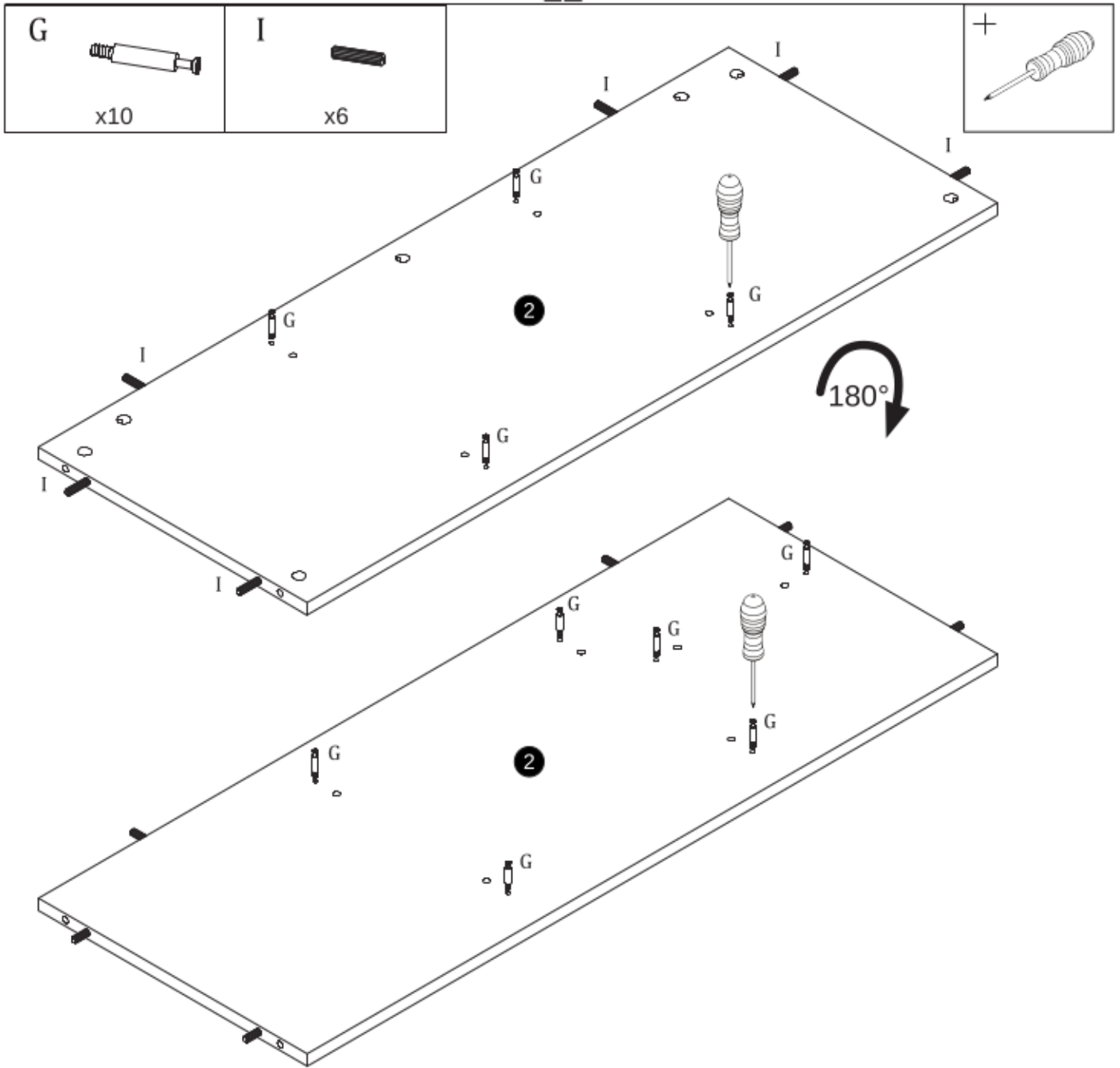
10



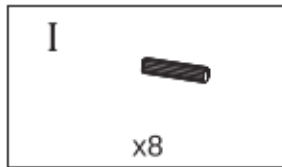
11



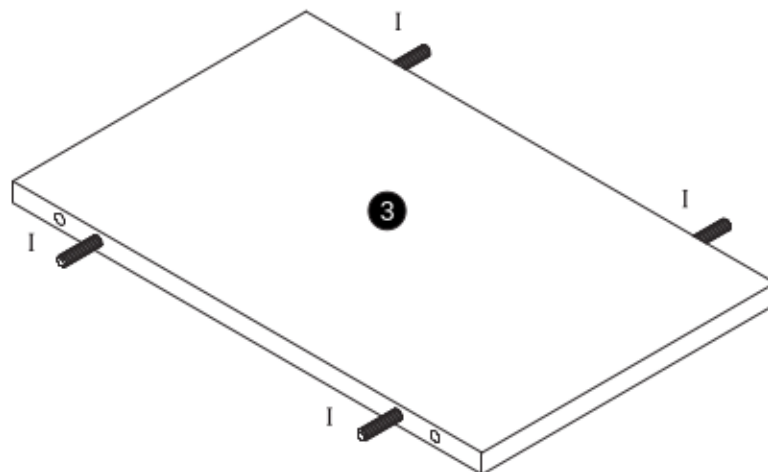
12



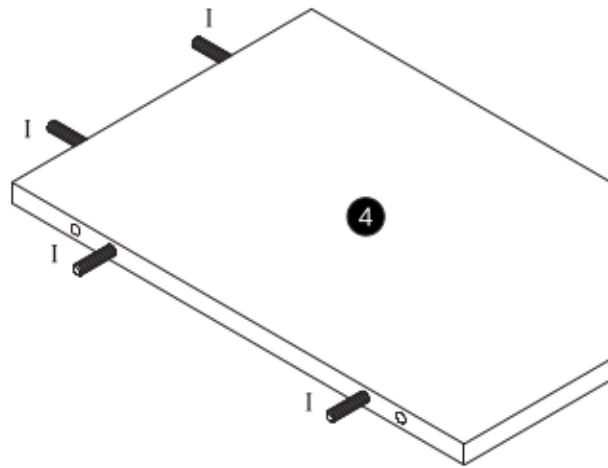
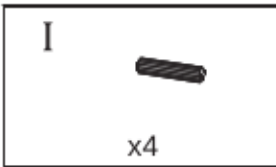
13



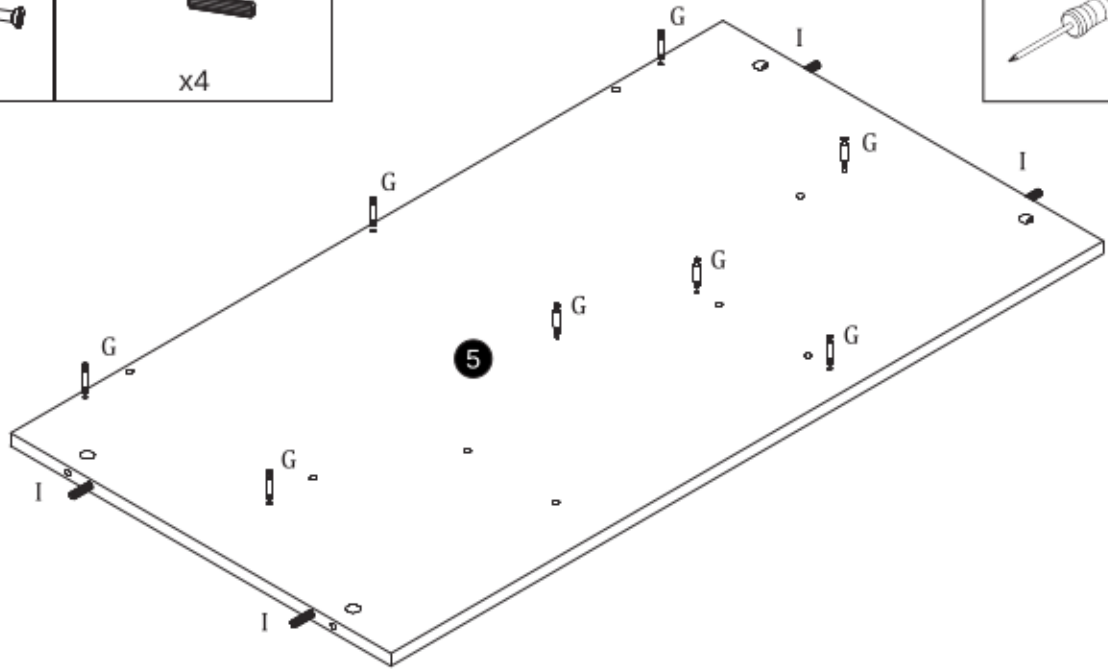
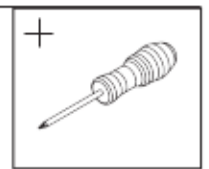
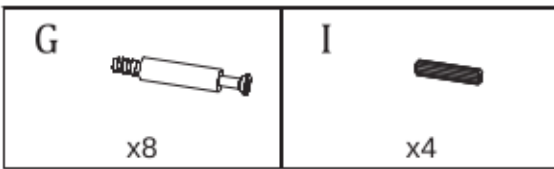
x2



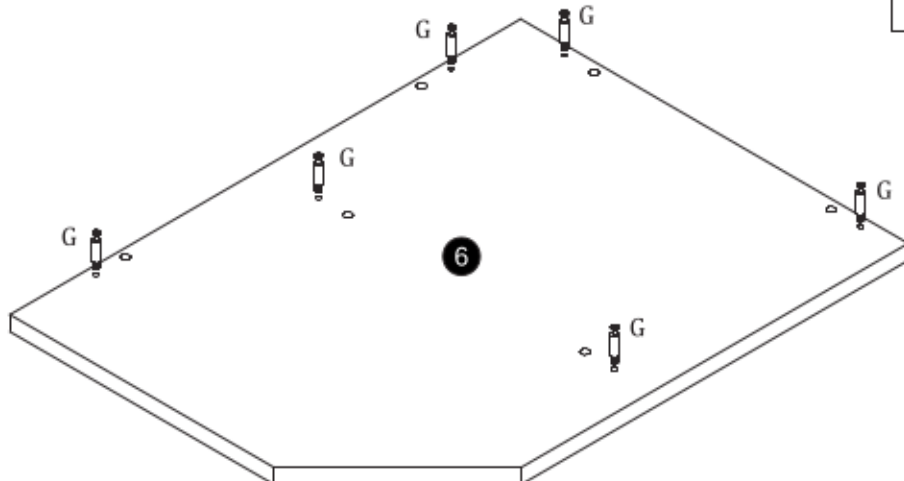
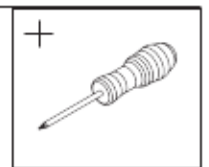
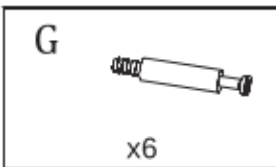
14



15

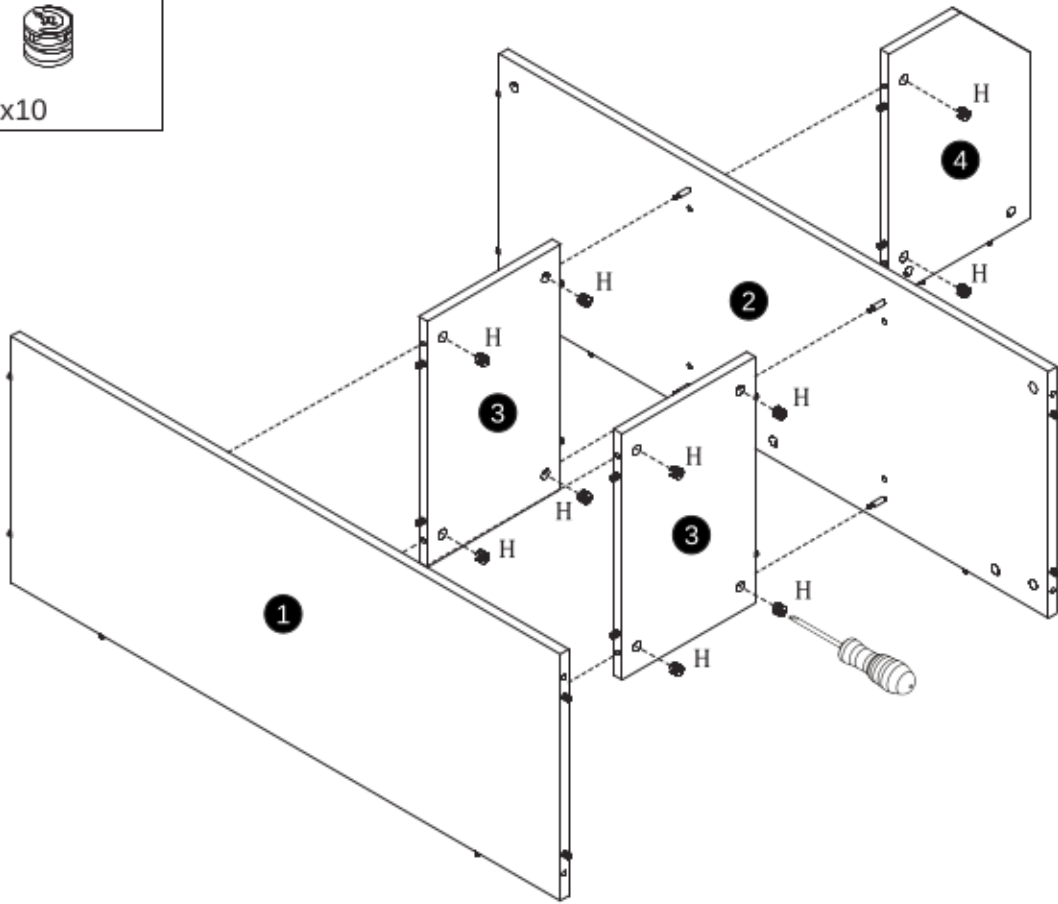
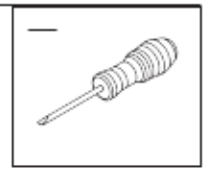
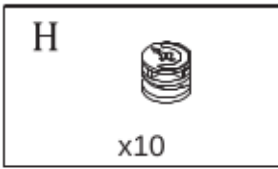


16

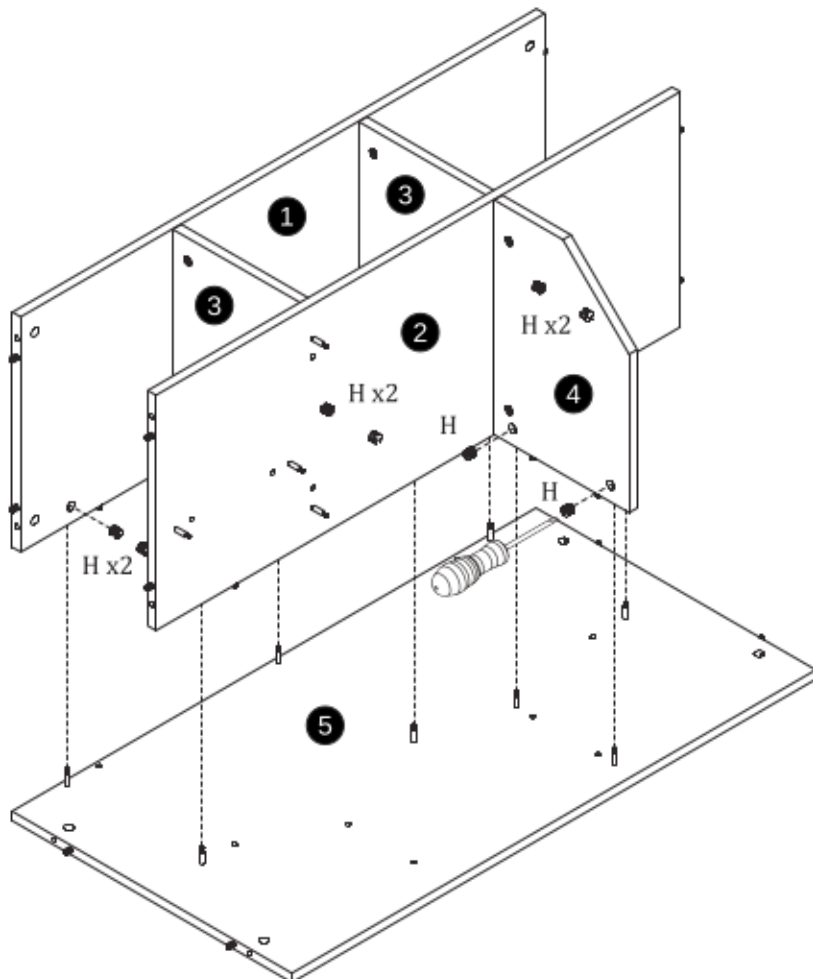
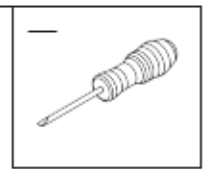
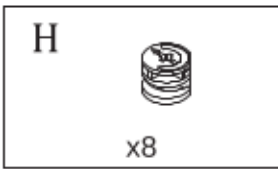




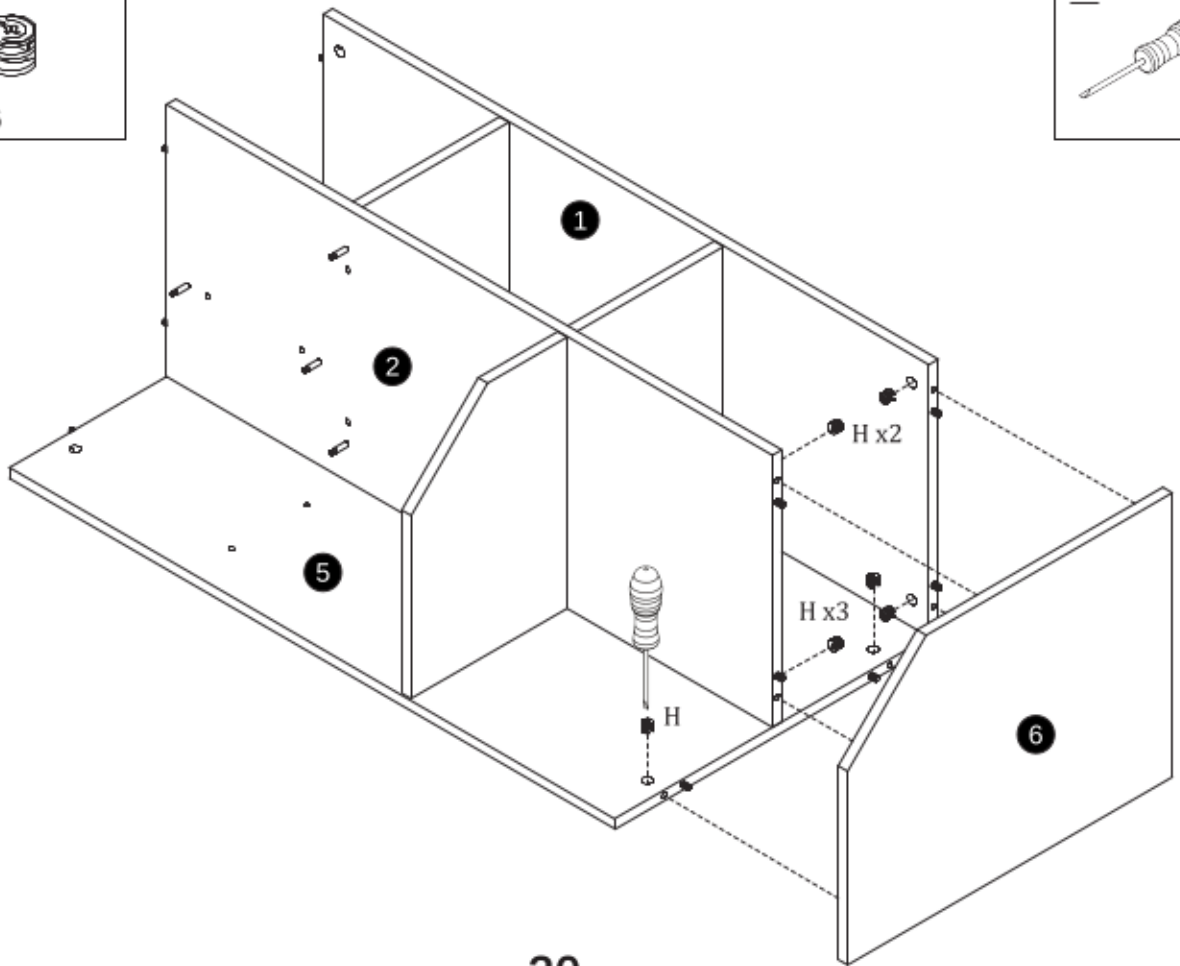
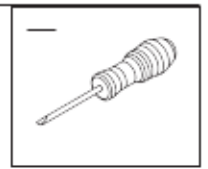
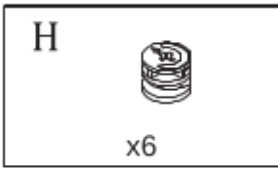
# 17



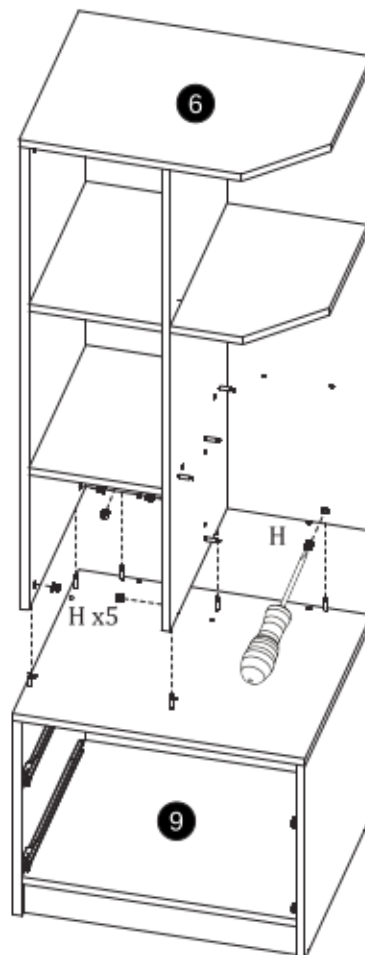
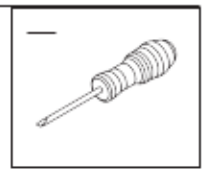
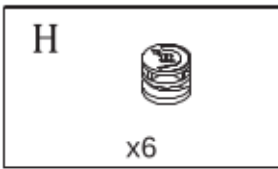
# 18



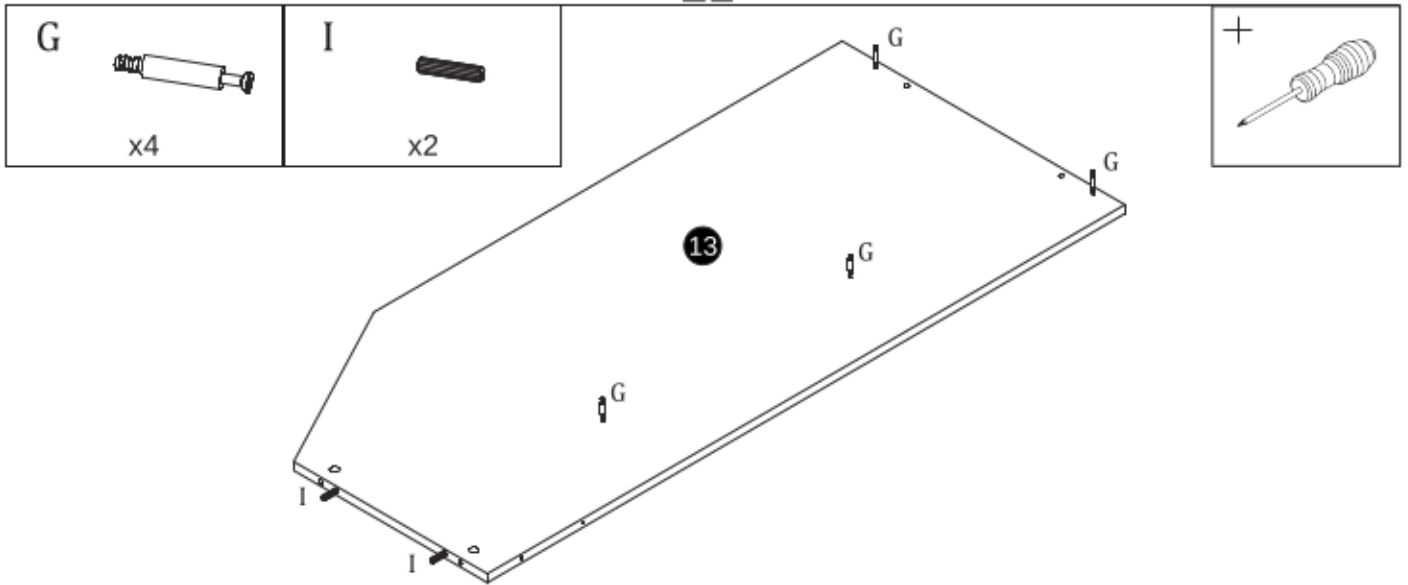
# 19



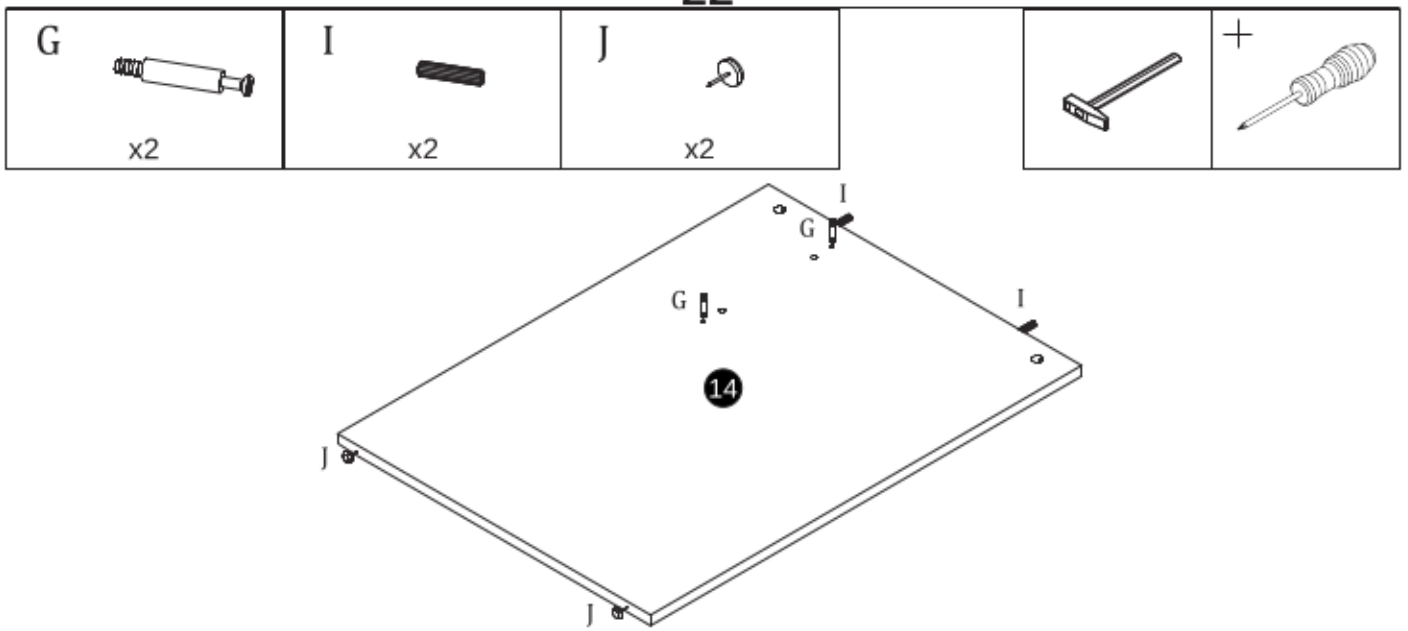
# 20



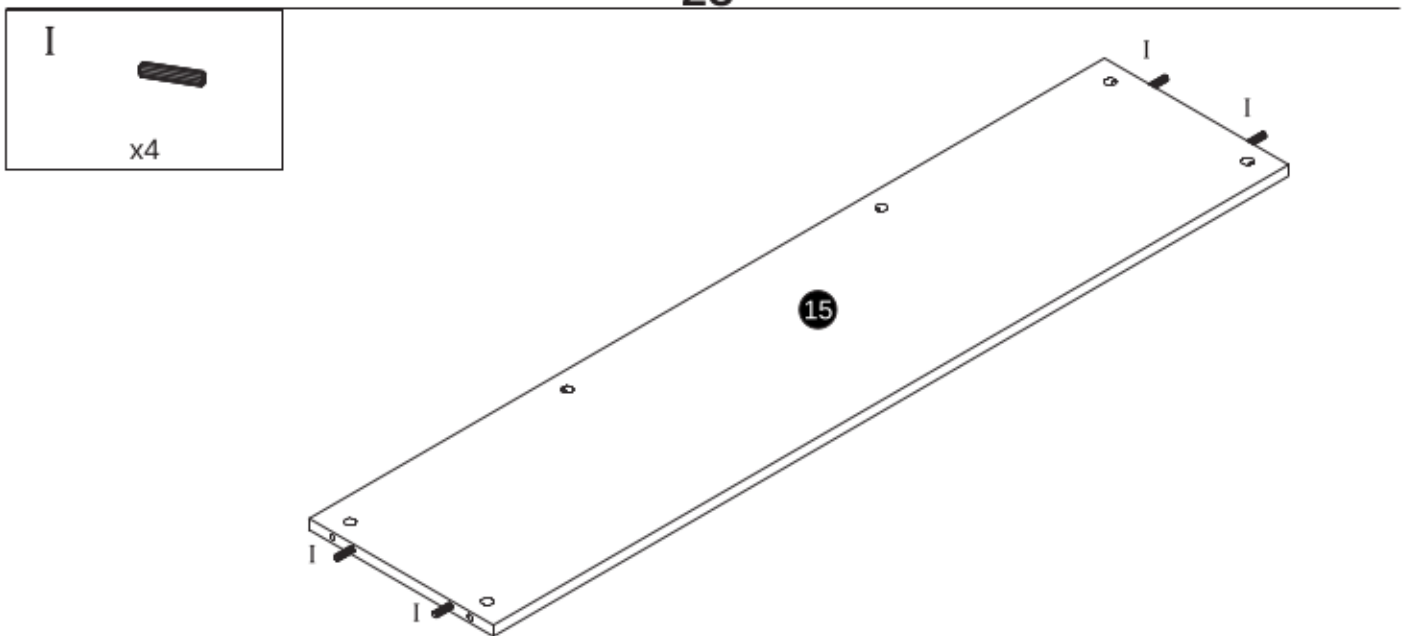
21



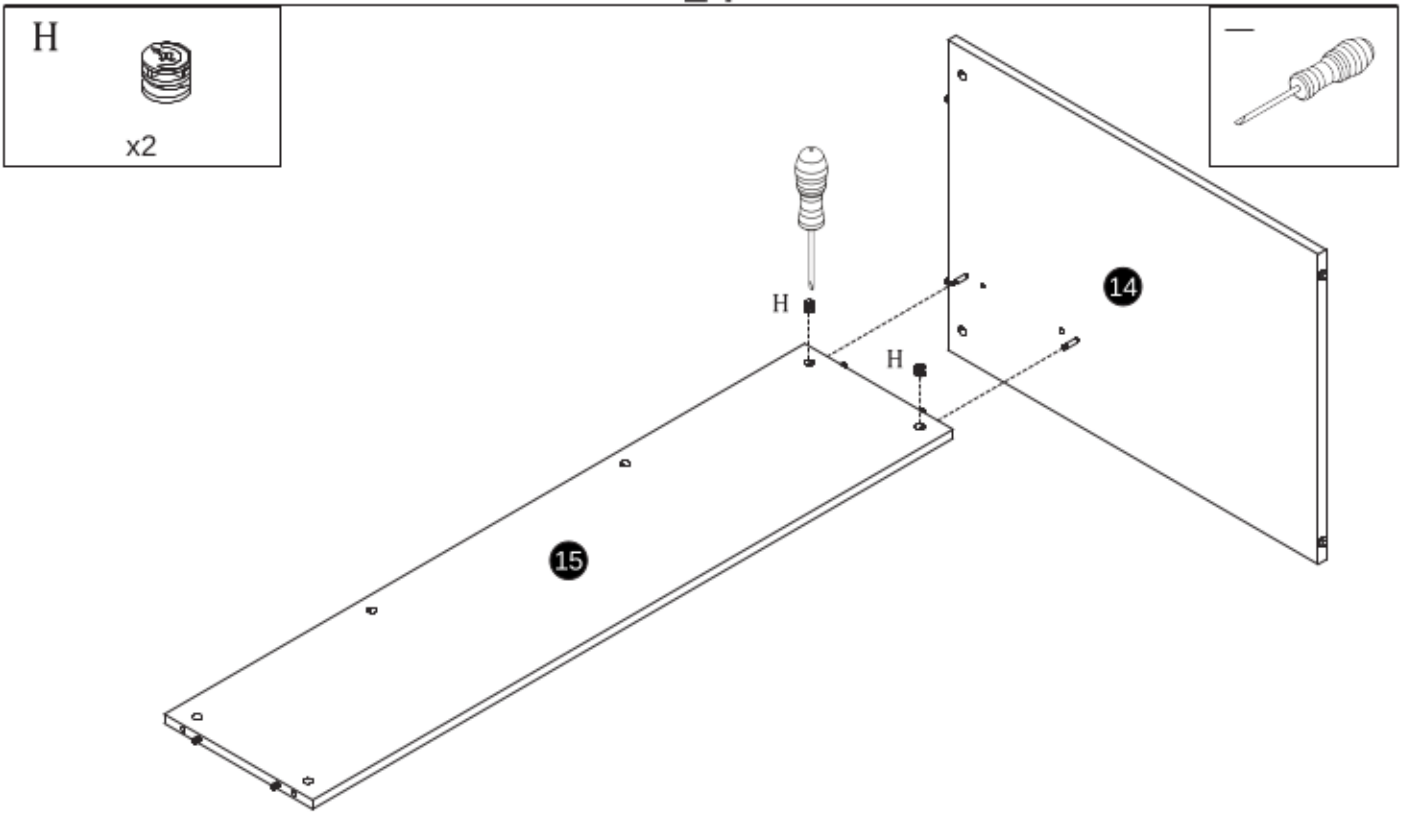
22



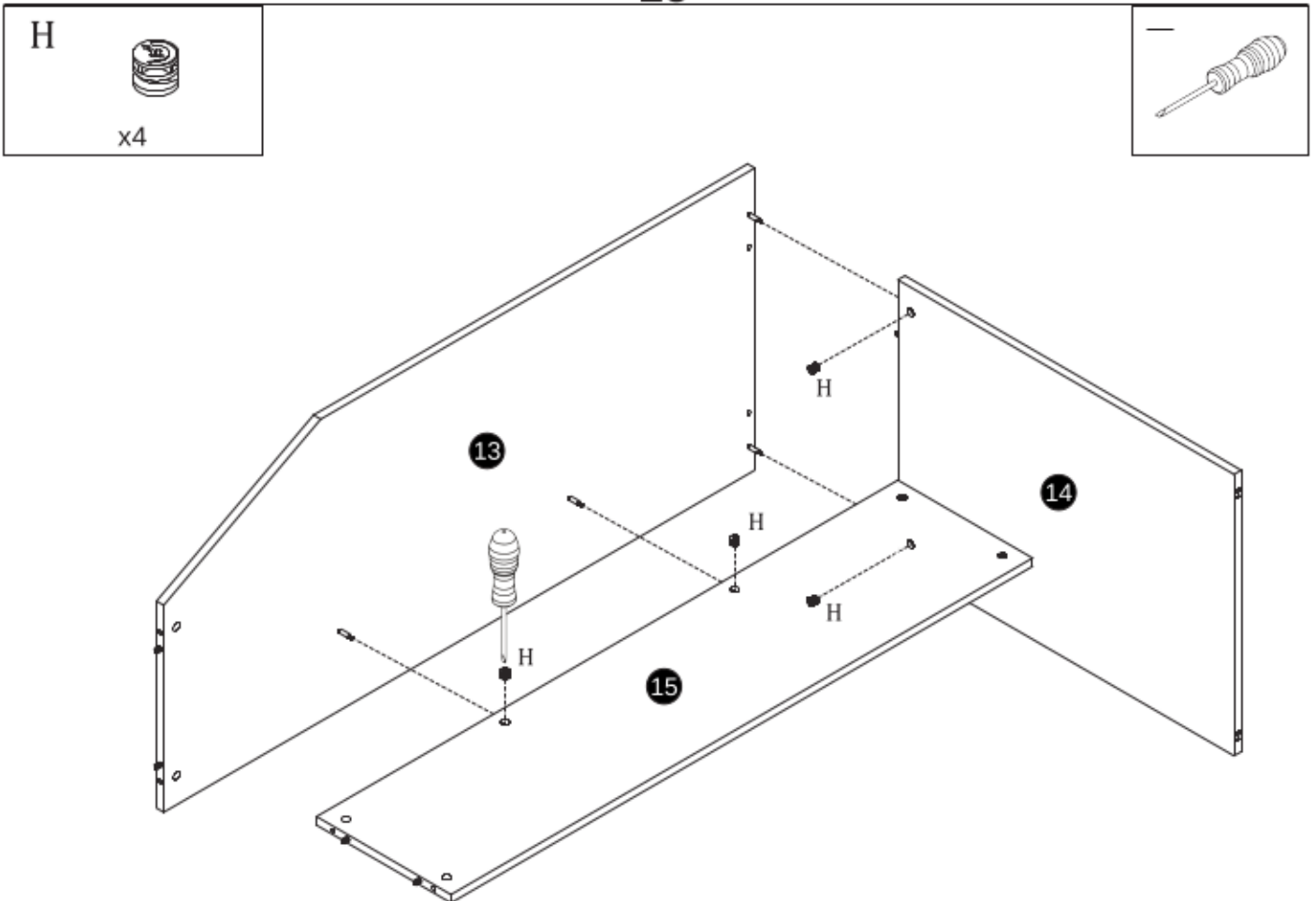
23



24



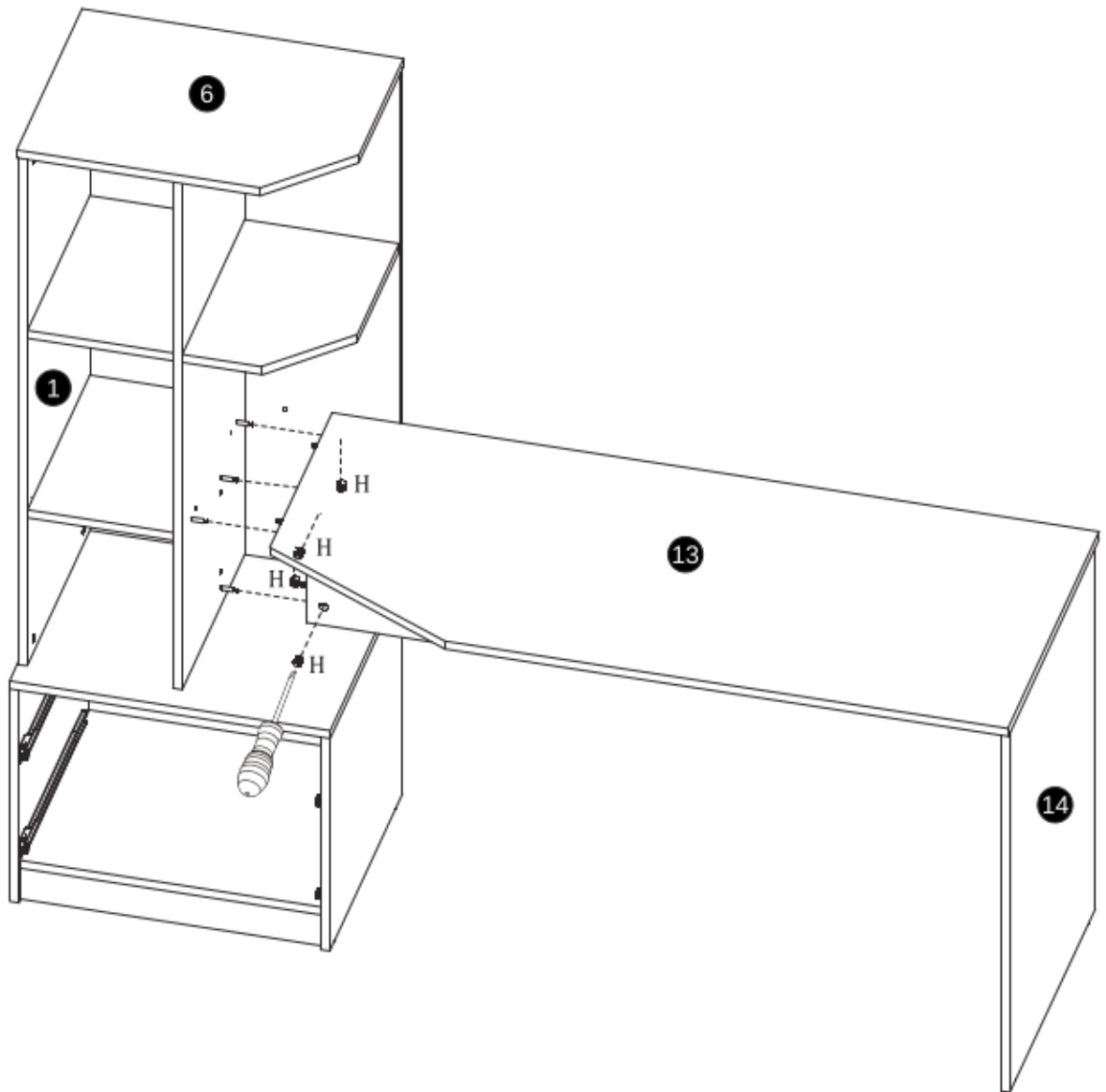
25



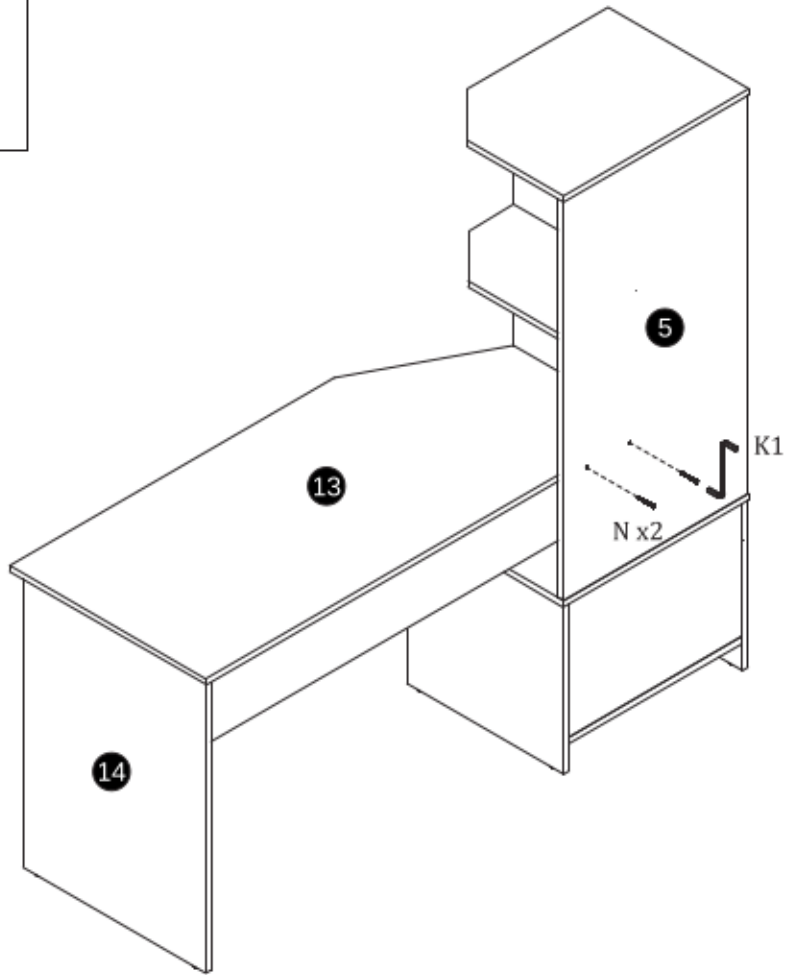
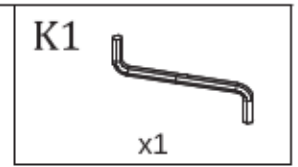
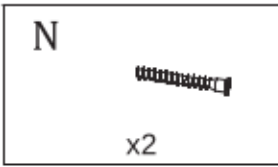
H



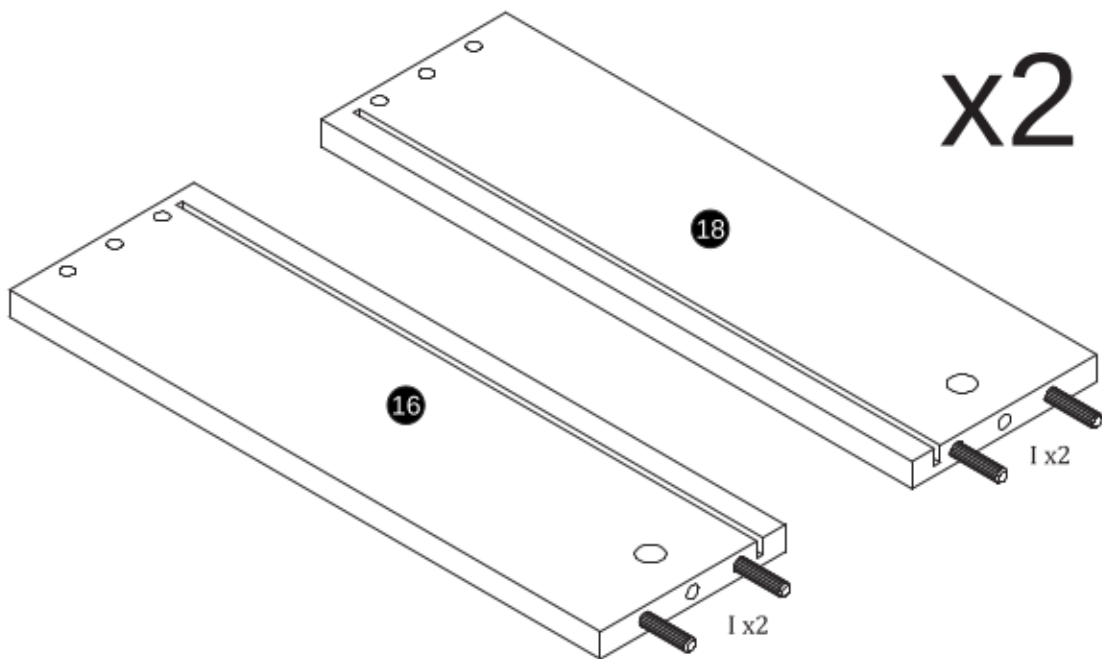
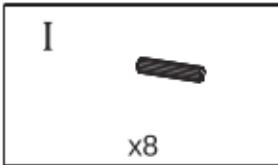
x4



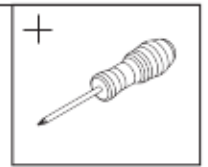
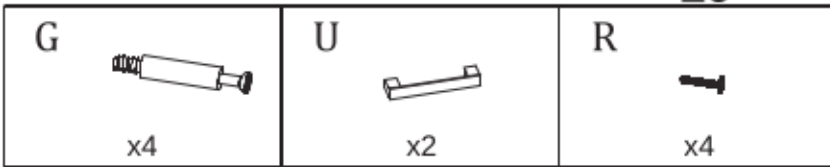
27



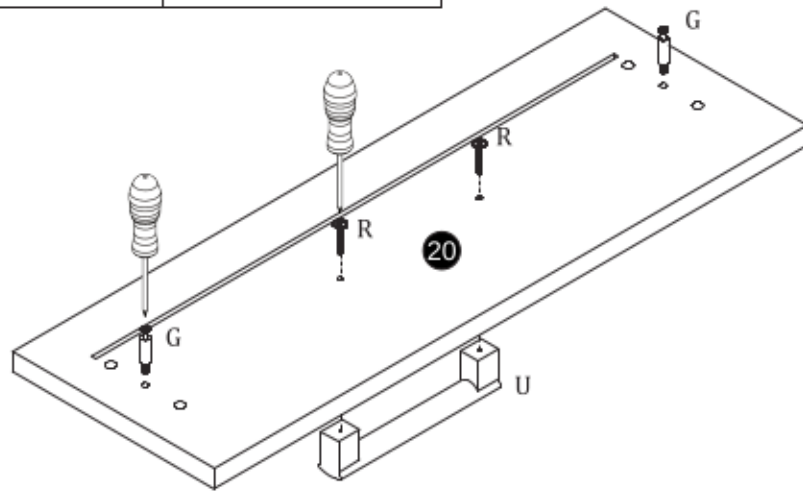
28



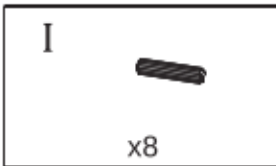
29



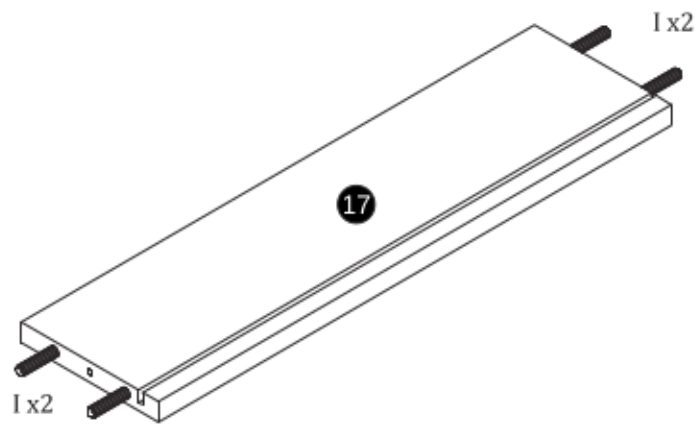
x2



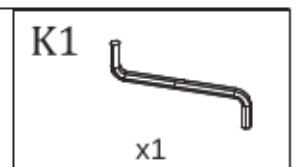
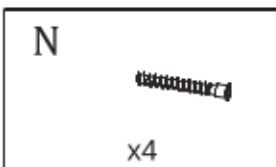
30



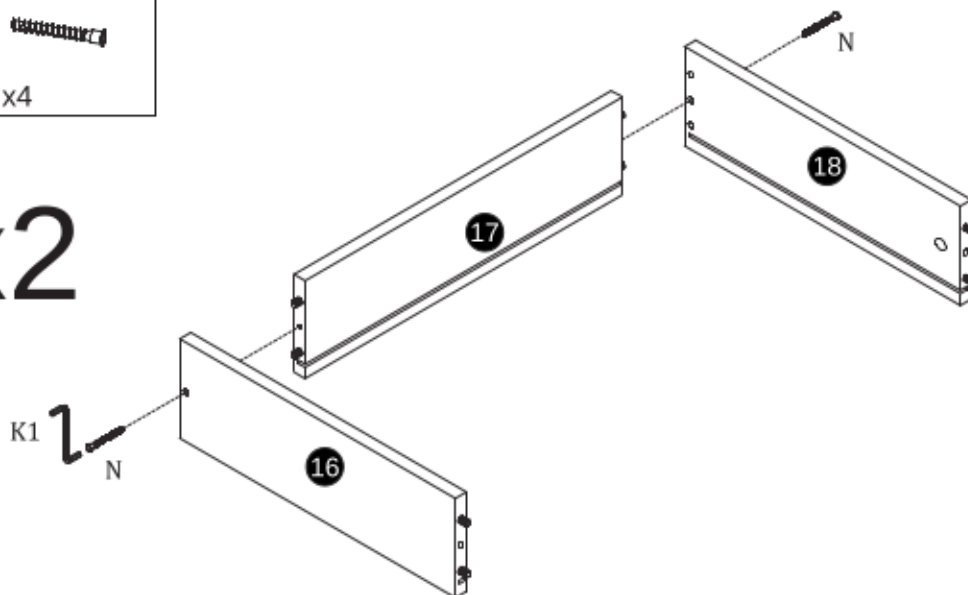
x2



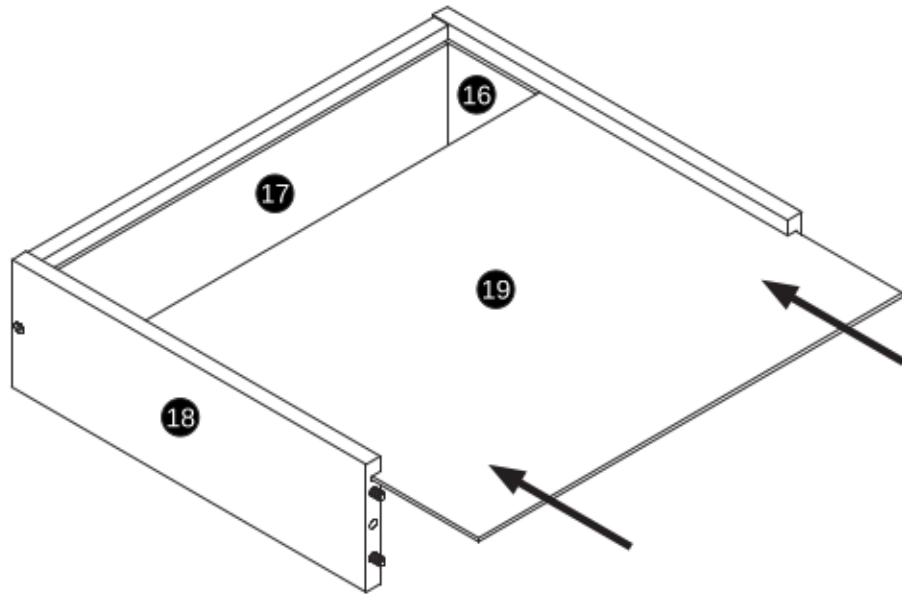
31



x2



x2



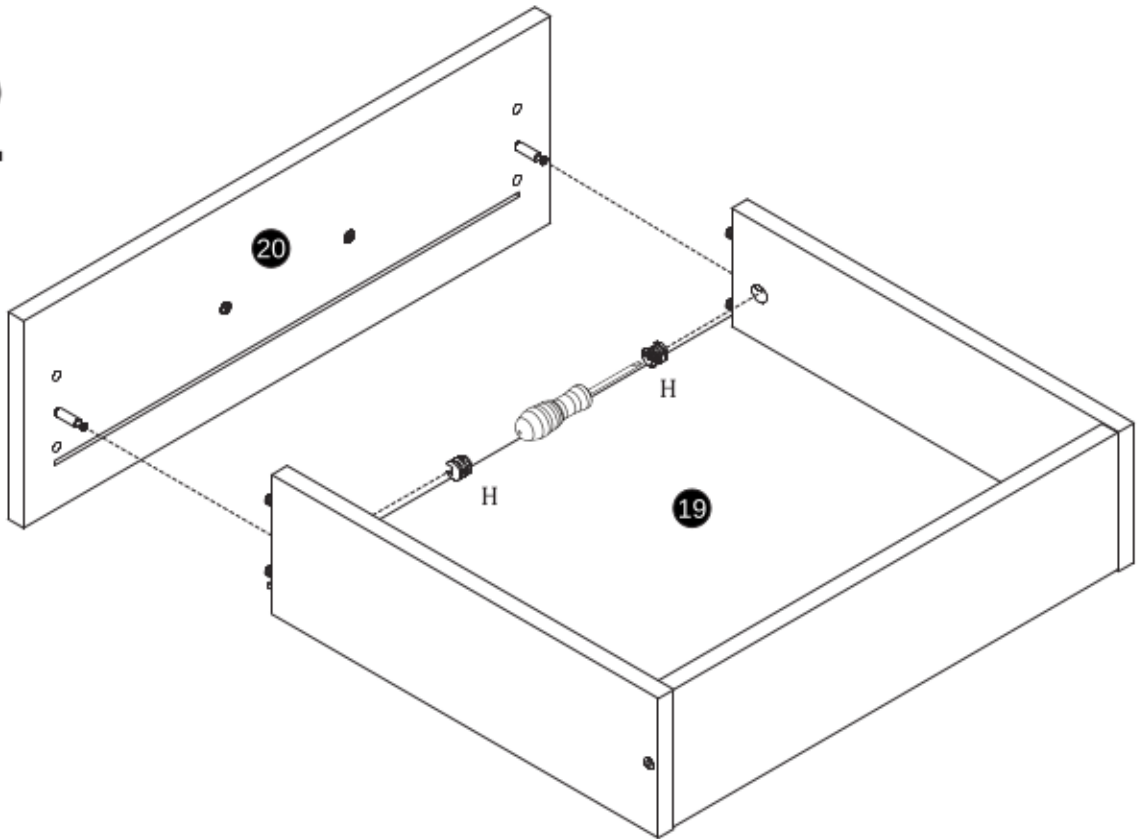
H



x4

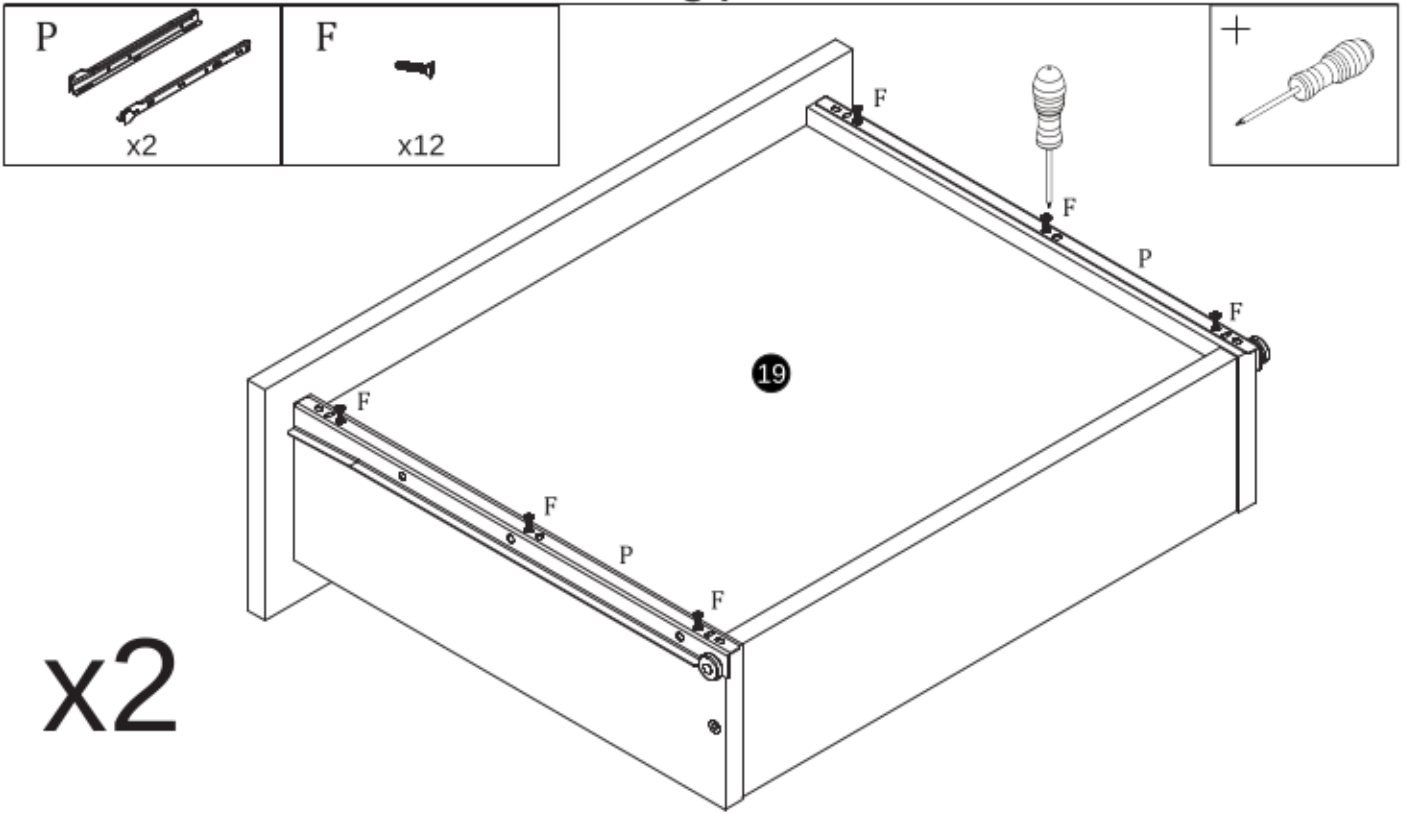


x2





34



35

