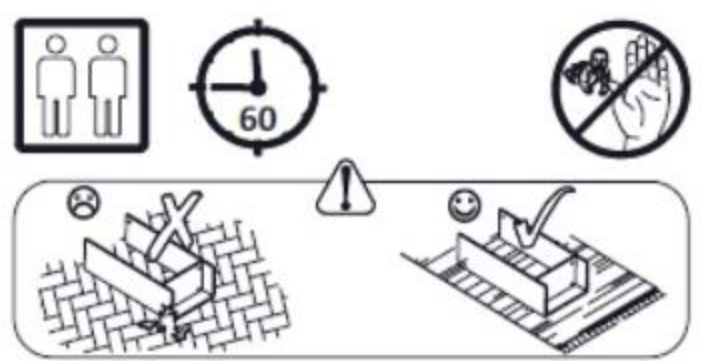
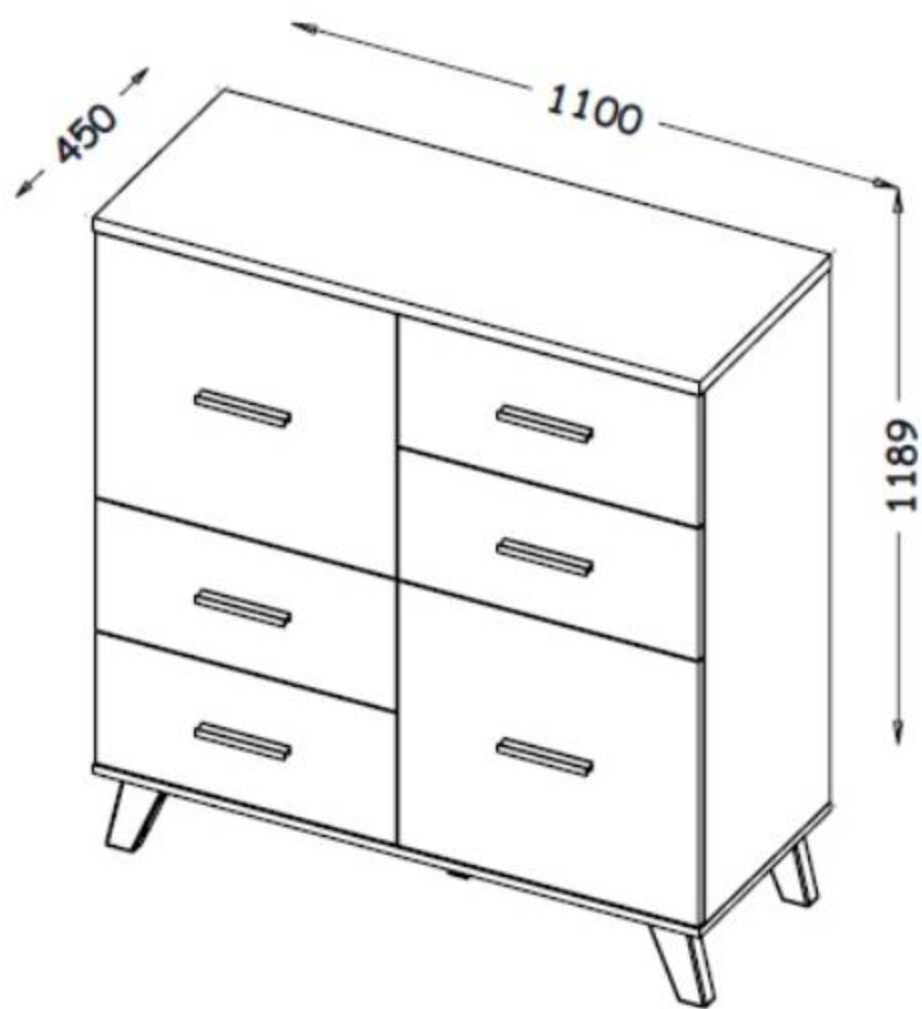
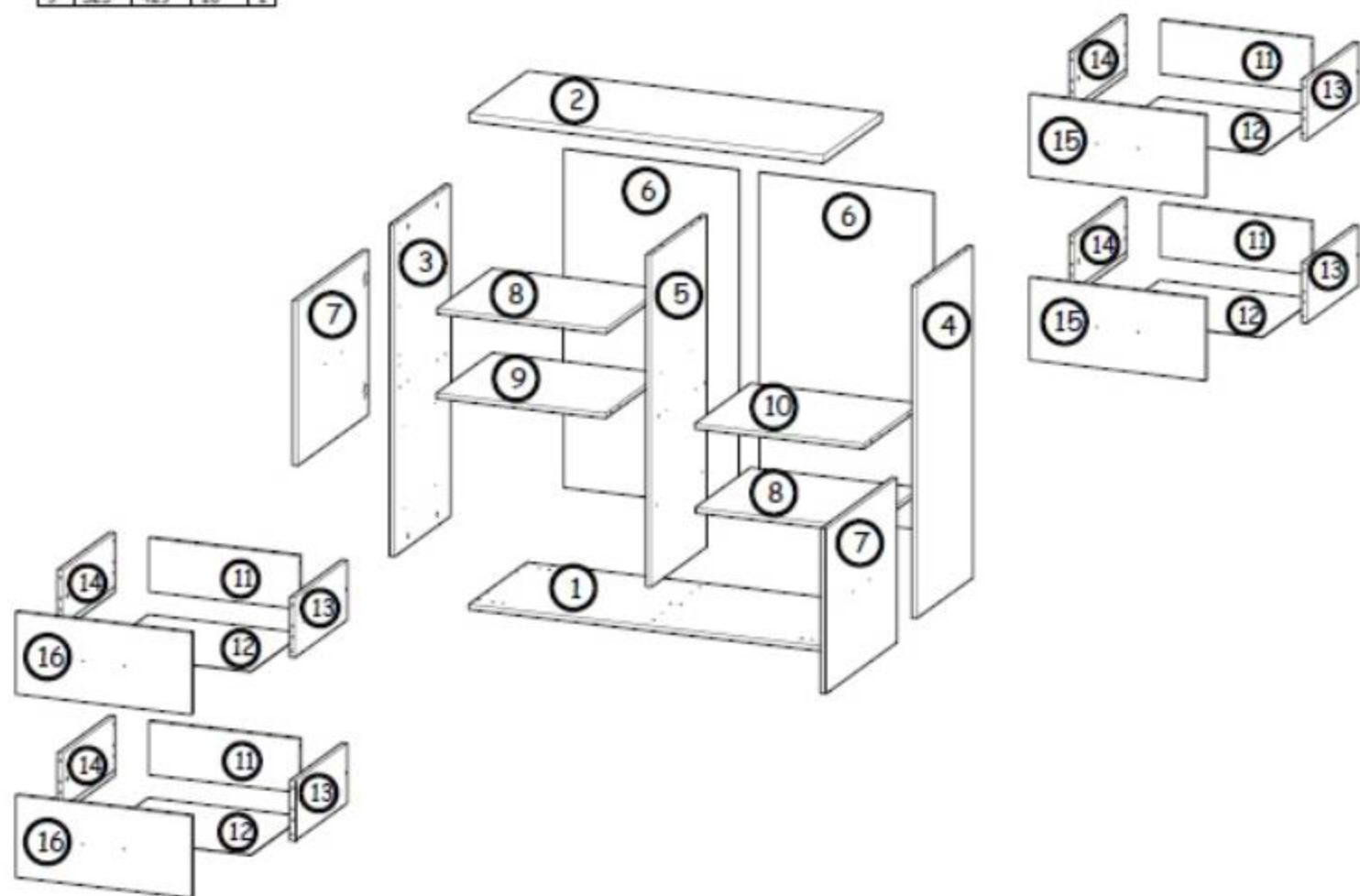


10  
9  
8  
7  
6  
5  
4  
3  
2  
1  
0



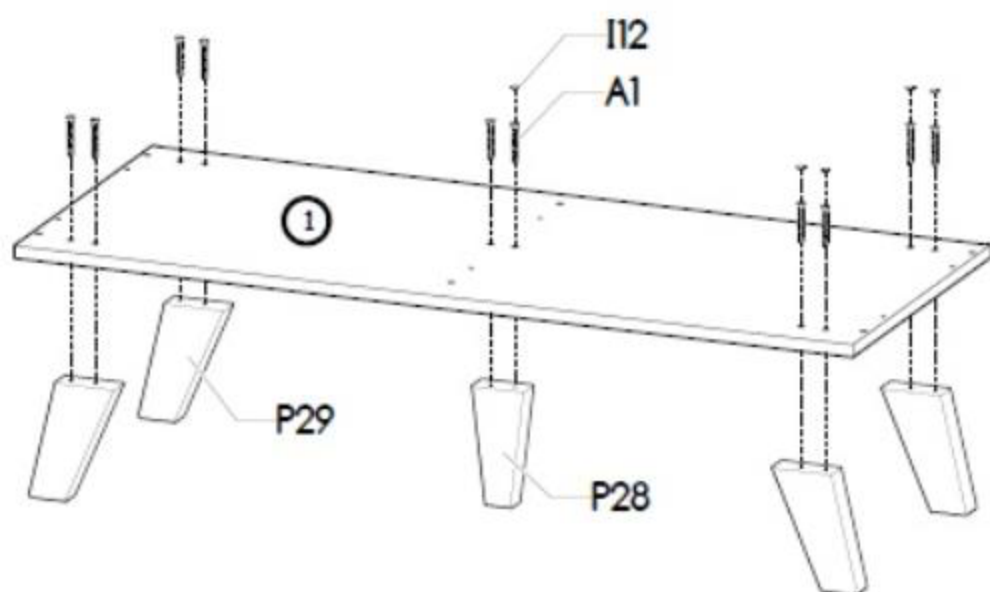
Nr	Xmm	Ymm	Zmm	x
1	1100	450	16	1
2	1100	450	25	1
3	998	432	16	1
4	998	432	16	1
5	998	429	16	1
6	1018	543	2,5	2
7	545	495	16	2
8	525	425	16	2
9	525	429	16	1

Nr	Xmm	Ymm	Zmm	x
10	525	429	16	1
11	467	160	16	4
12	406	483	2,5	4
13	400	180	16	4
14	400	180	16	4
15	545	246	16	2
16	545	246	16	2

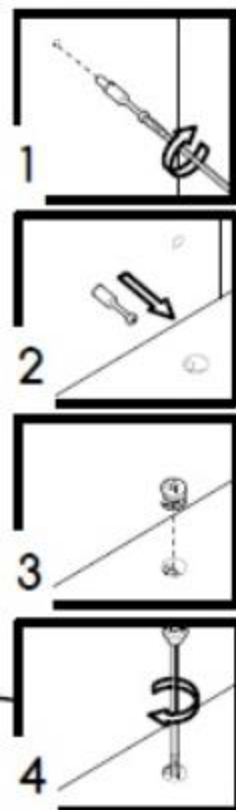


<b>F2</b> 8x ø5 	<b>W4</b> 89x 	<b>C3</b> 4x Z35PR 	<b>G34</b> 8x 3,5x16 	<b>D3</b> 4x P235PR 	<b>K5</b> 28x 34mm 
<b>K1</b> 28x ø15x12 	<b>B1</b> 52x ø8x35 	<b>I20</b> 18x ø4/ø17 	<b>W2</b> 1x 4mm 	<b>P28</b> 1x H150m 	<b>A1</b> 18x ø7x50 
<b>I12</b> 5x ø4/ø11 	<b>P29</b> 4x H150m 	<b>S2</b> 11x ø20x2 	<b>E43</b> 6x 160mm 	<b>N15</b> 12x M4x25 	<b>H11</b> 8x 350mm 
<b>G20</b> 32x ø5x13 	<b>U10</b> 1x 				

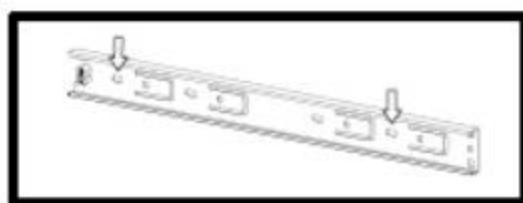
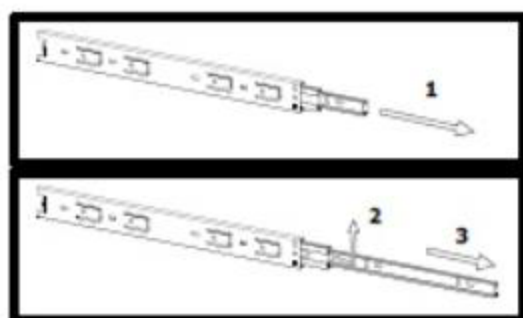
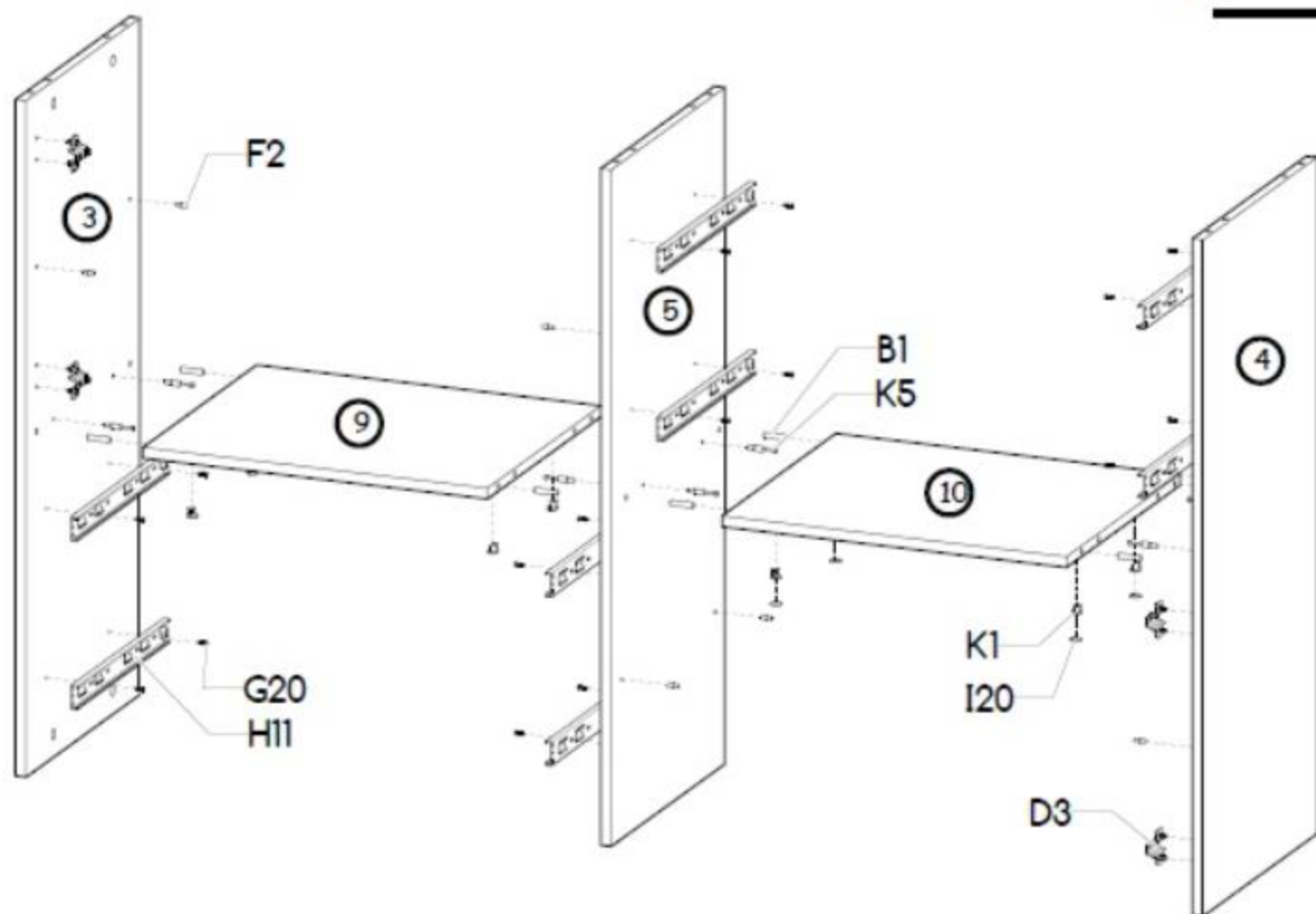
I



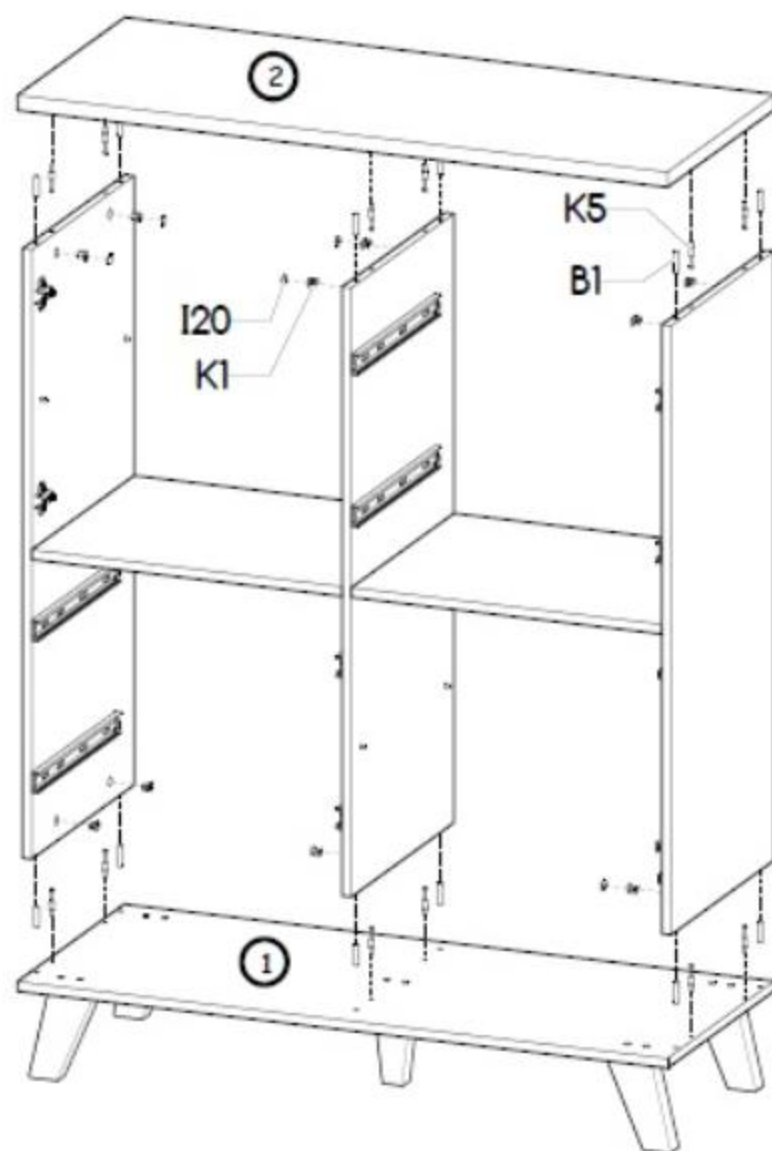
*i*



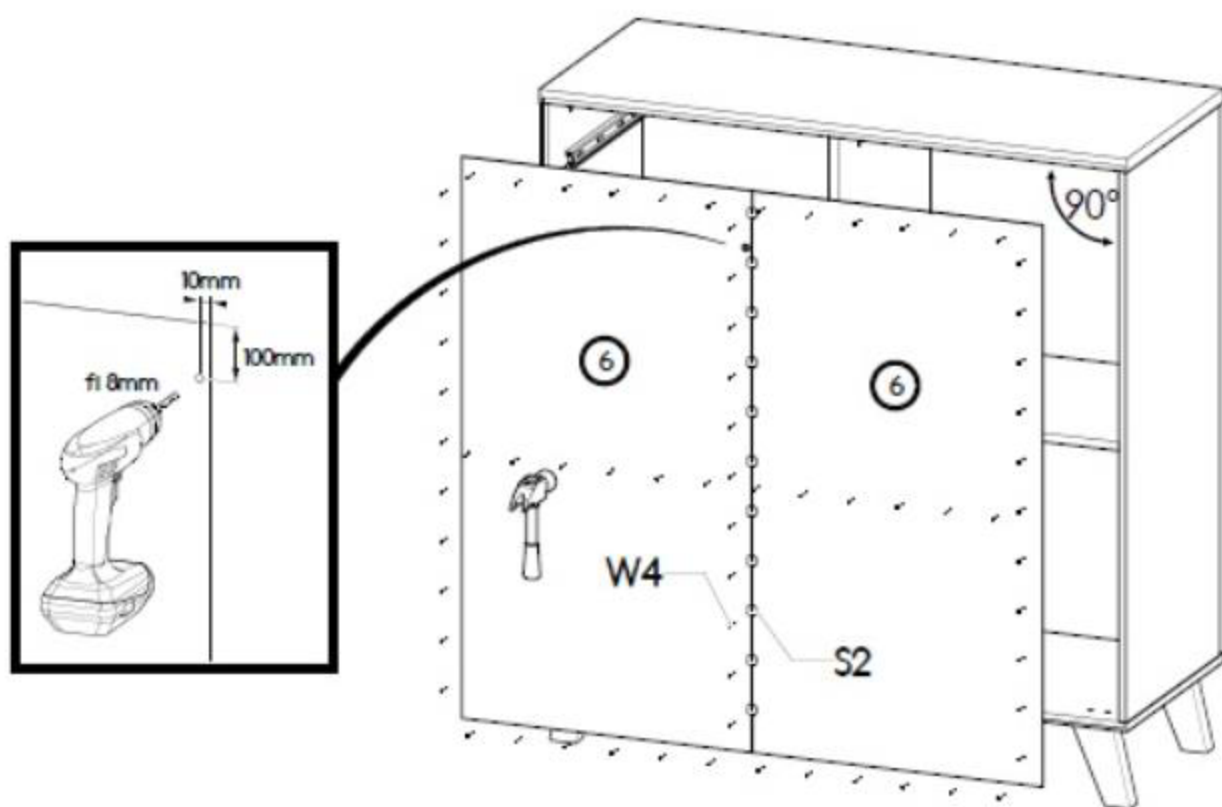
II



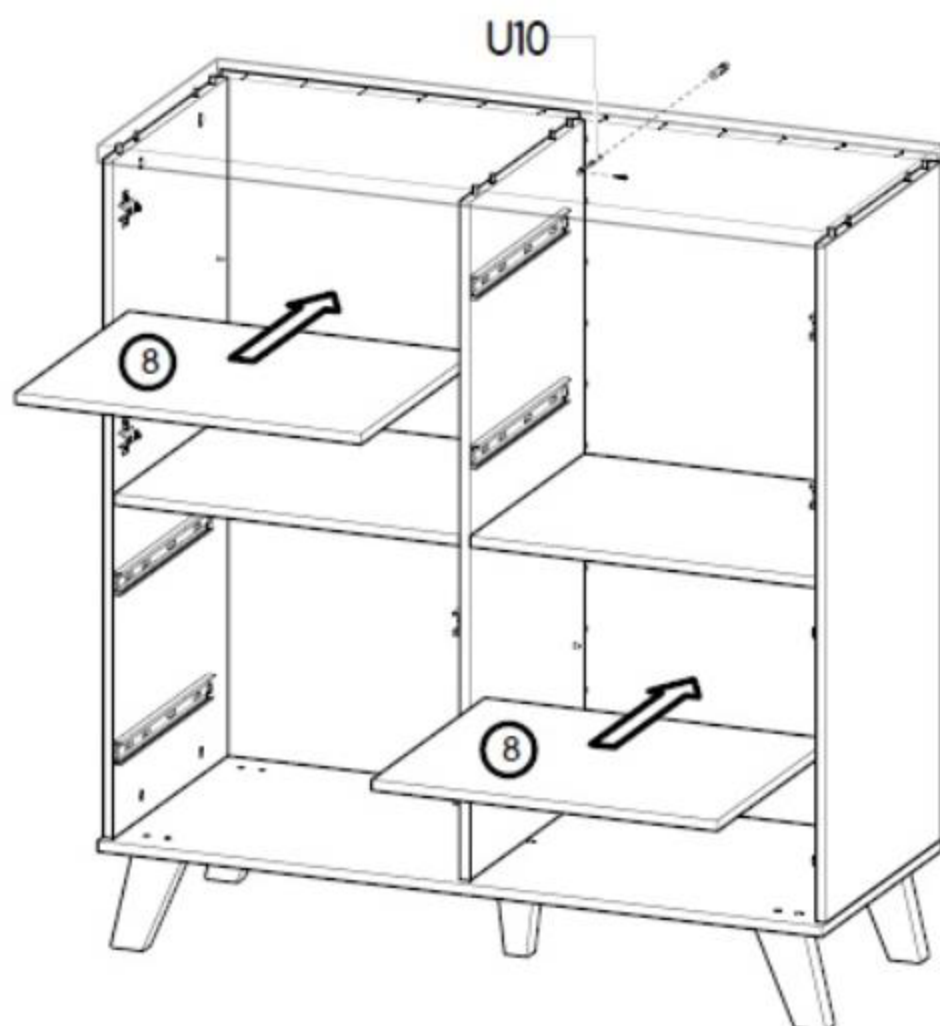
III



IV



V



VI

