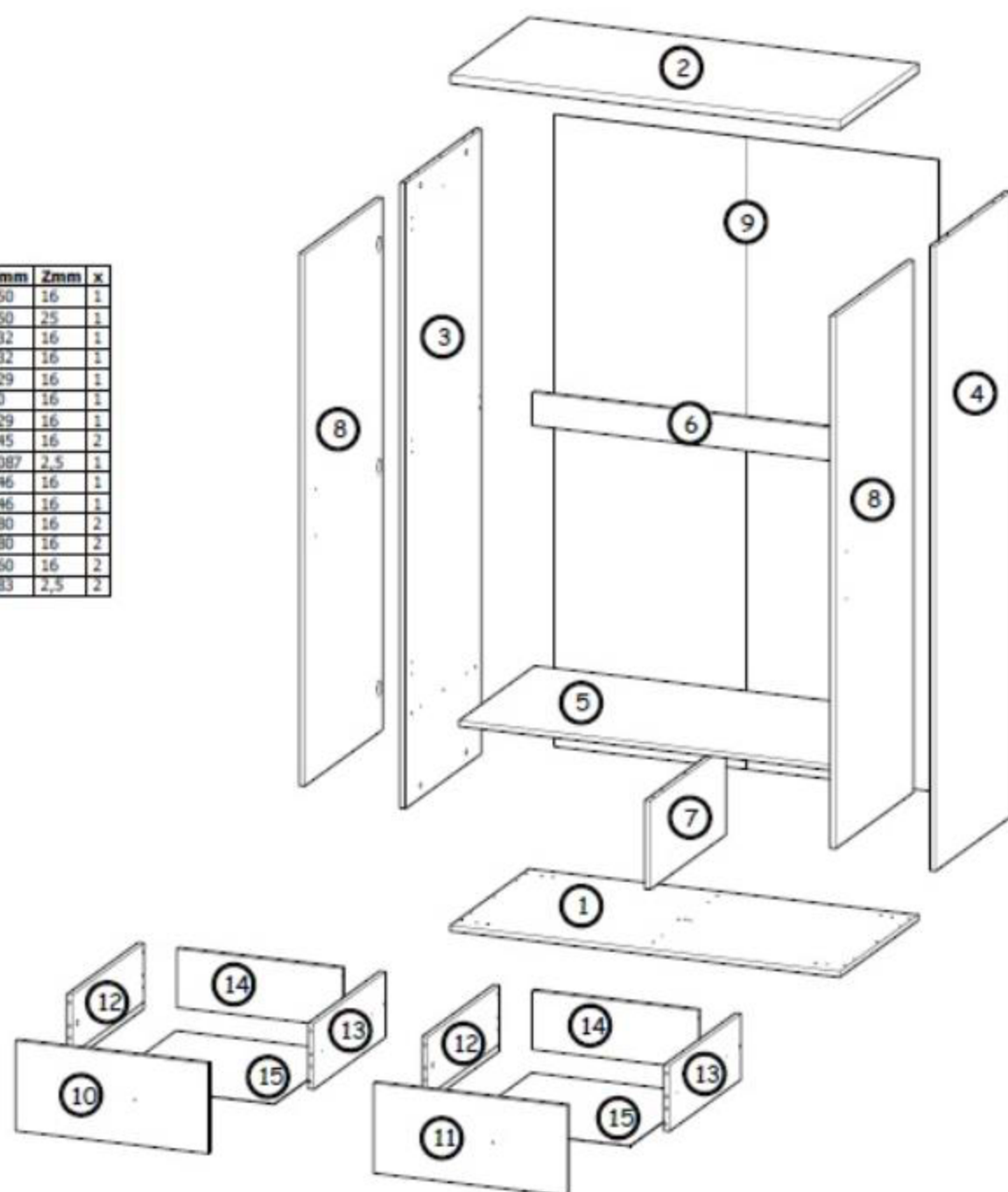






















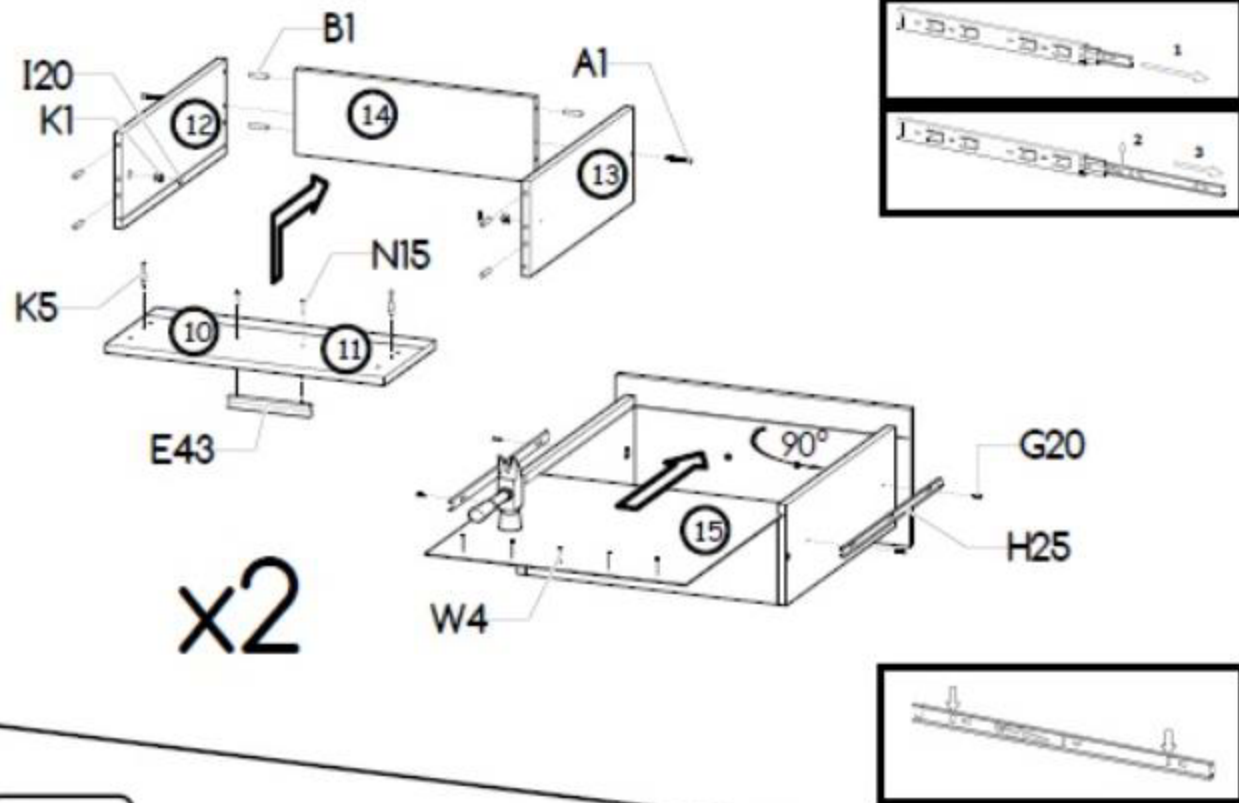
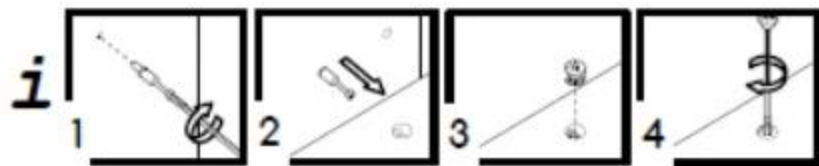


Nr	Xmm	Ymm	Zmm	x
1	1100	550	16	1
2	1100	550	25	1
3	1710	532	16	1
4	1710	532	16	1
5	1066	529	16	1
6	1066	90	16	1
7	242	529	16	1
8	1456	545	16	2
9	1730	1087	2,5	1
10	545	246	16	1
11	545	246	16	1
12	500	180	16	2
13	500	180	16	2
14	467	160	16	2
15	506	483	2,5	2

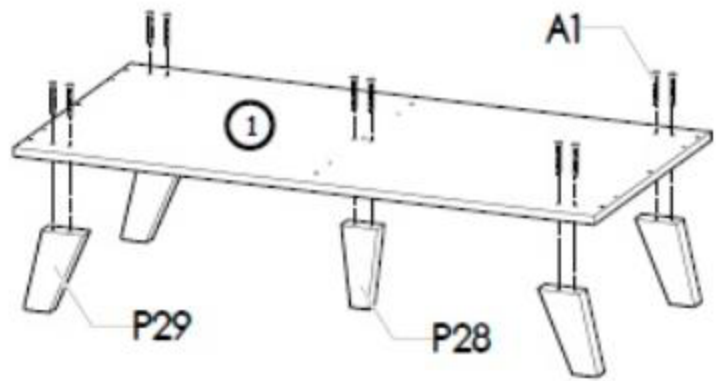


<b>B1</b> 42x ø8x35 	<b>K5</b> 22x 34mm 	<b>K1</b> 22x ø15x12 	<b>I20</b> 8x ø4/ø17 	<b>W4</b> 87x 	<b>D3</b> 6x PZ35PR 
<b>C3</b> 6x Z35PR 	<b>G34</b> 14x 3,5x16 	<b>W2</b> 1x 4mm 	<b>P28</b> 1x H150mm 	<b>A1</b> 14x ø7x50 	<b>P29</b> 4x H150mm 
<b>S2</b> 3x ø20x2 	<b>E43</b> 4x 160mm 	<b>N15</b> 8x M4x25 	<b>H25</b> 4x 450mm 	<b>G20</b> 16x ø5x13 	<b>U10</b> 1x 
<b>P5</b> 2x 	<b>S5</b> 1x 1057 	<b>S8</b> 2x 	<b>G6</b> 9x 3x13 		

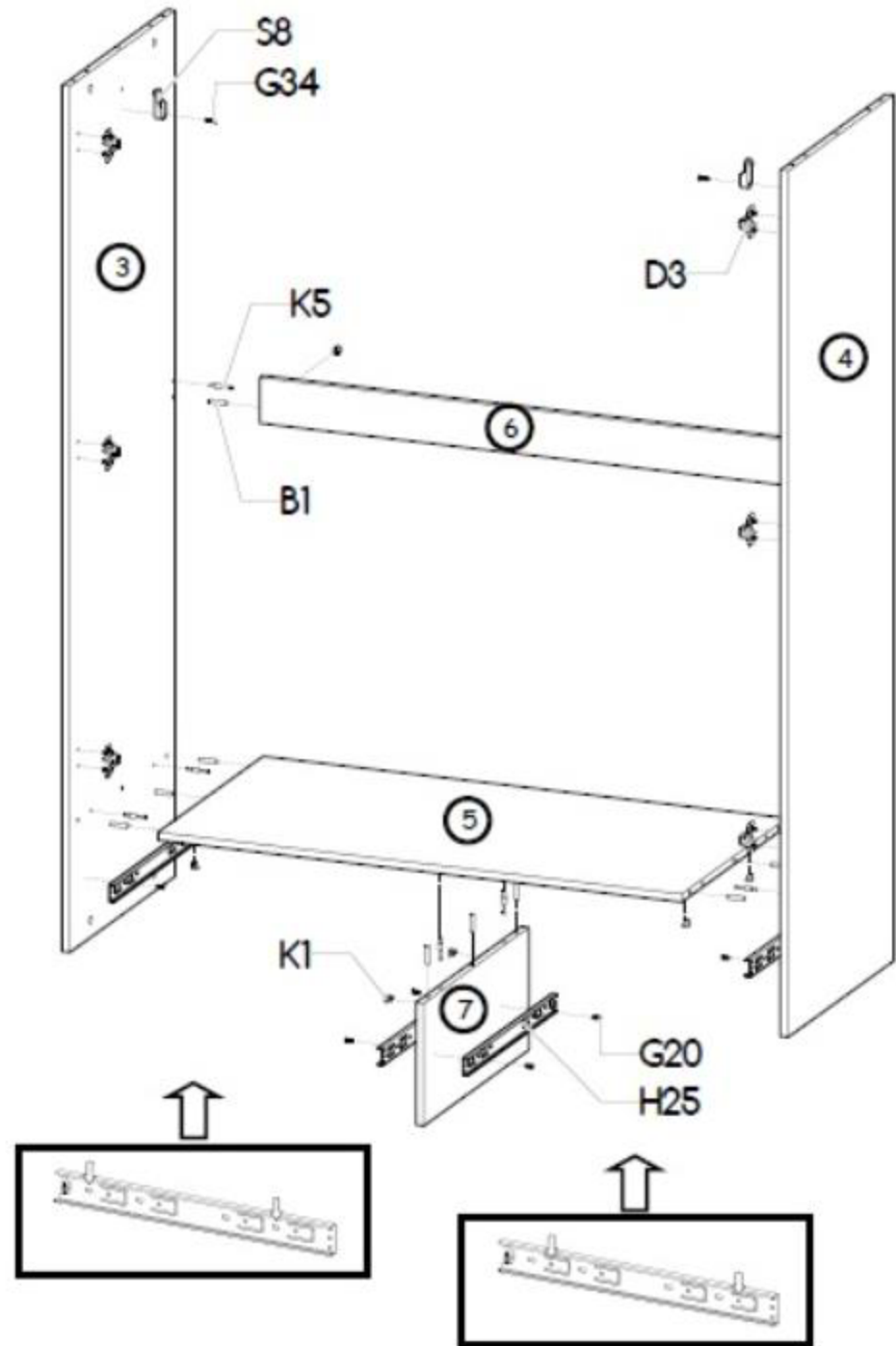
I



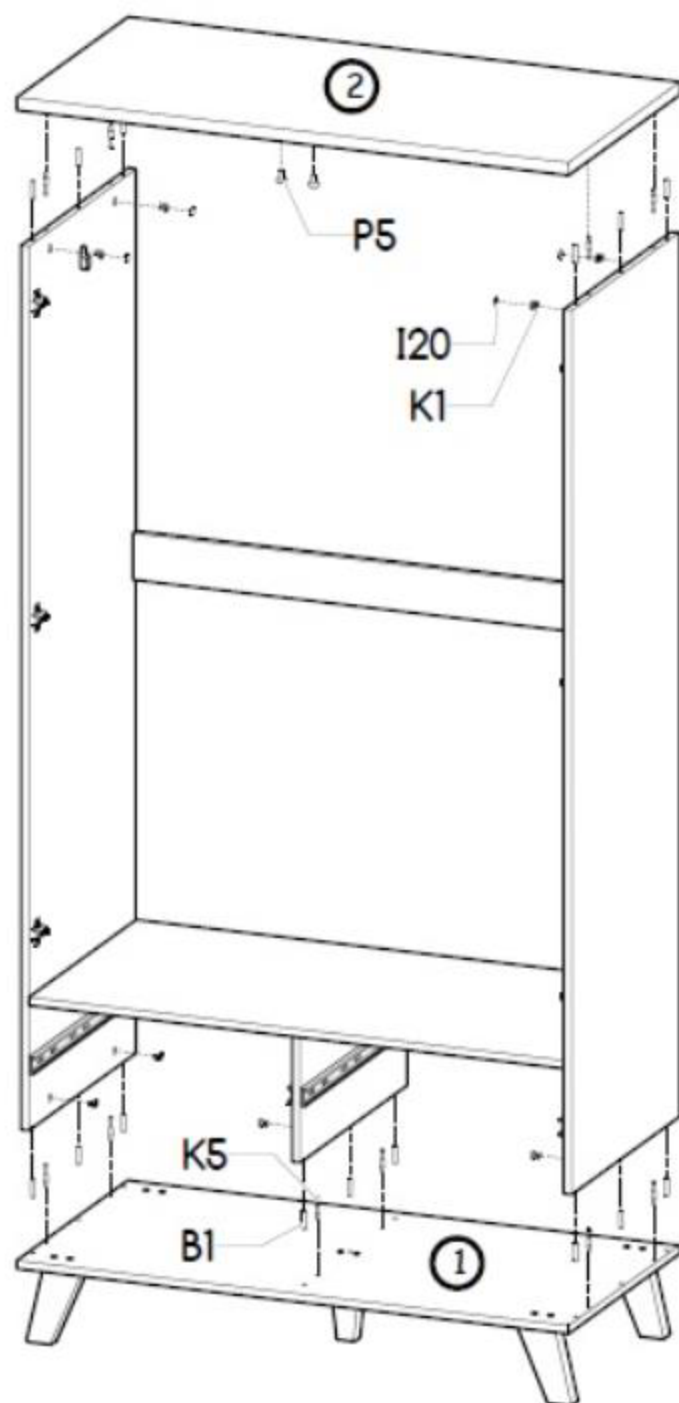
II



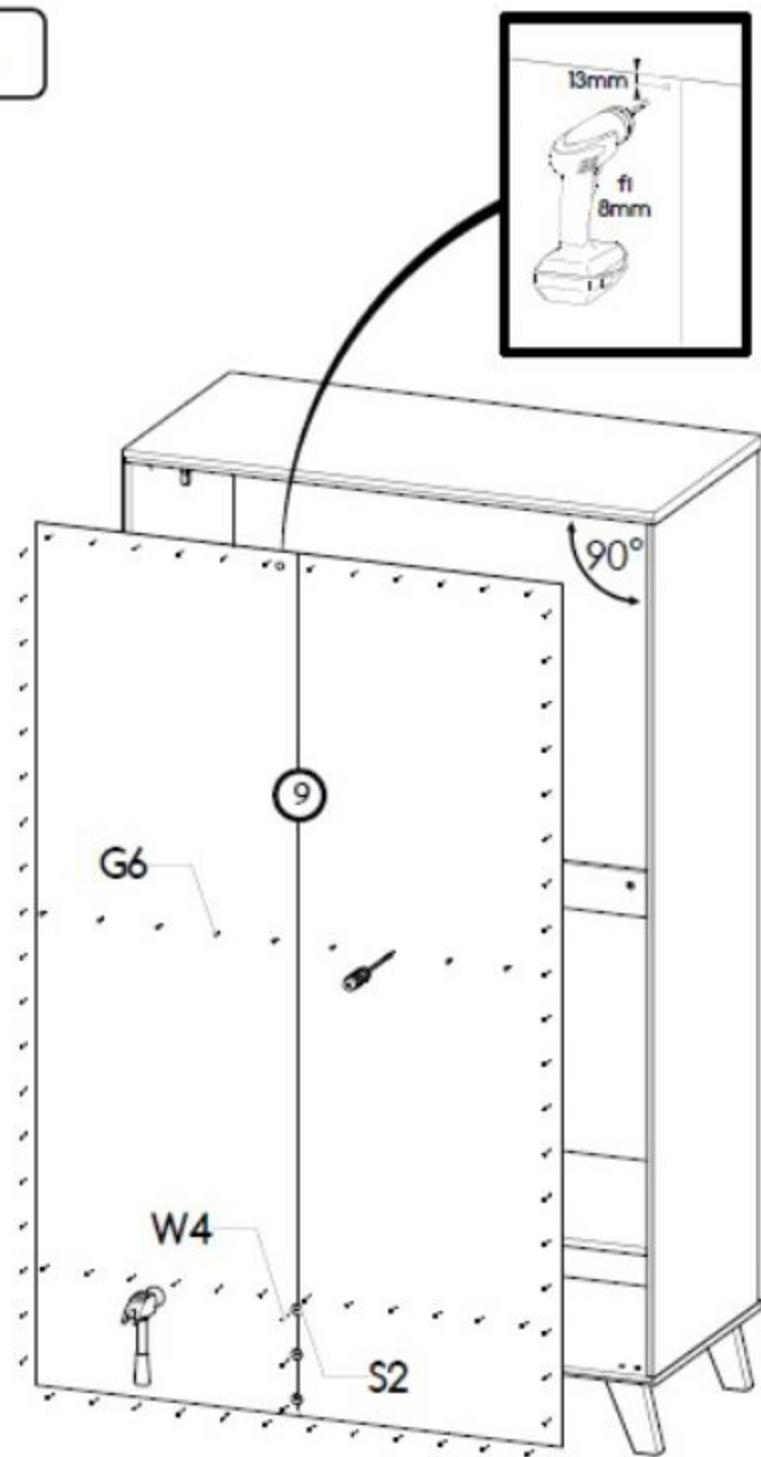
III



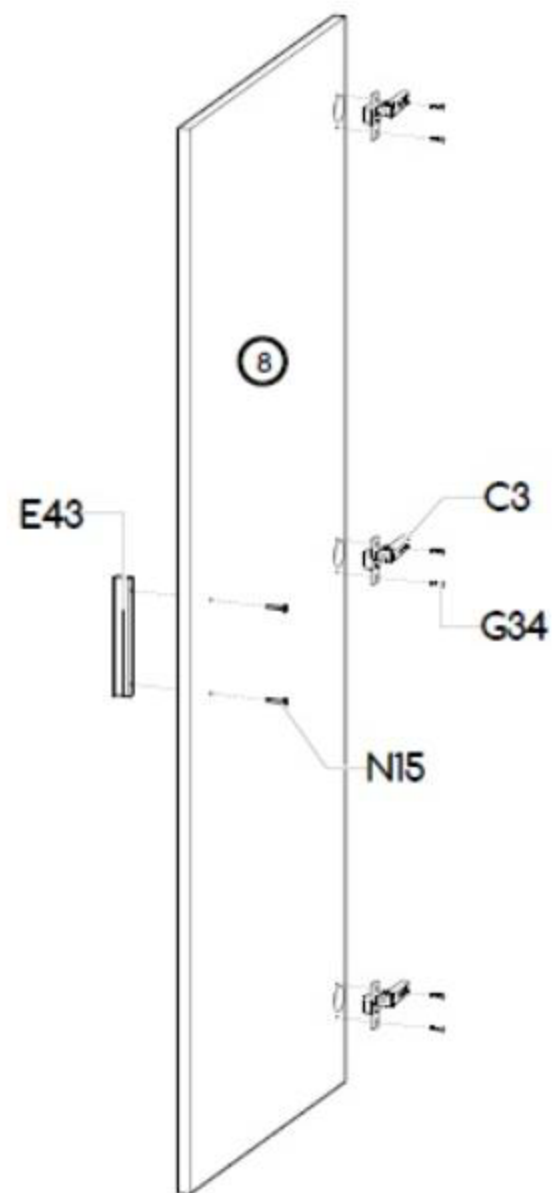
IV



V



VI



VII

