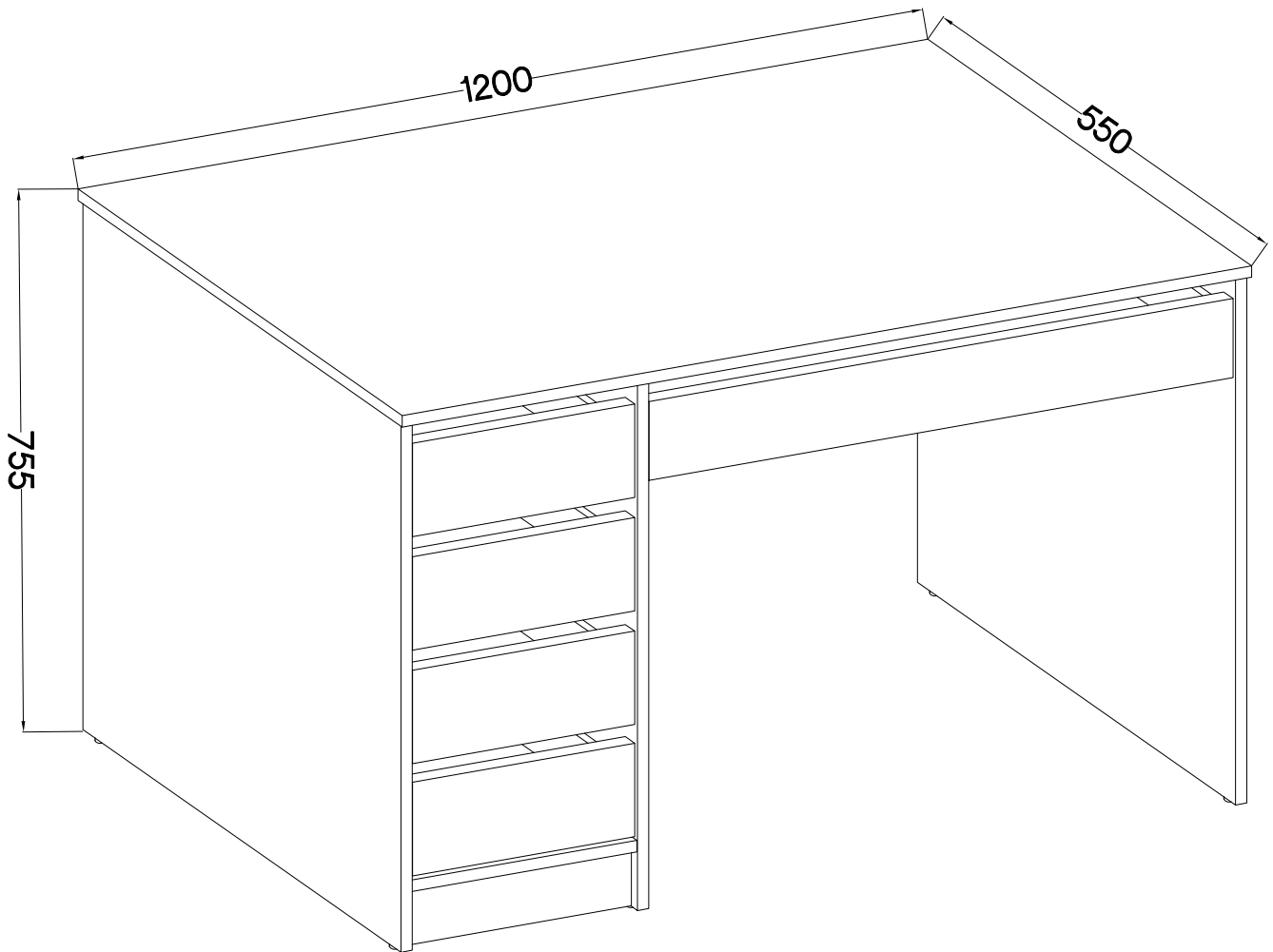
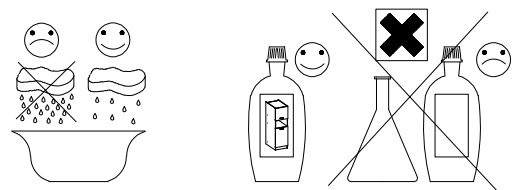


150 min

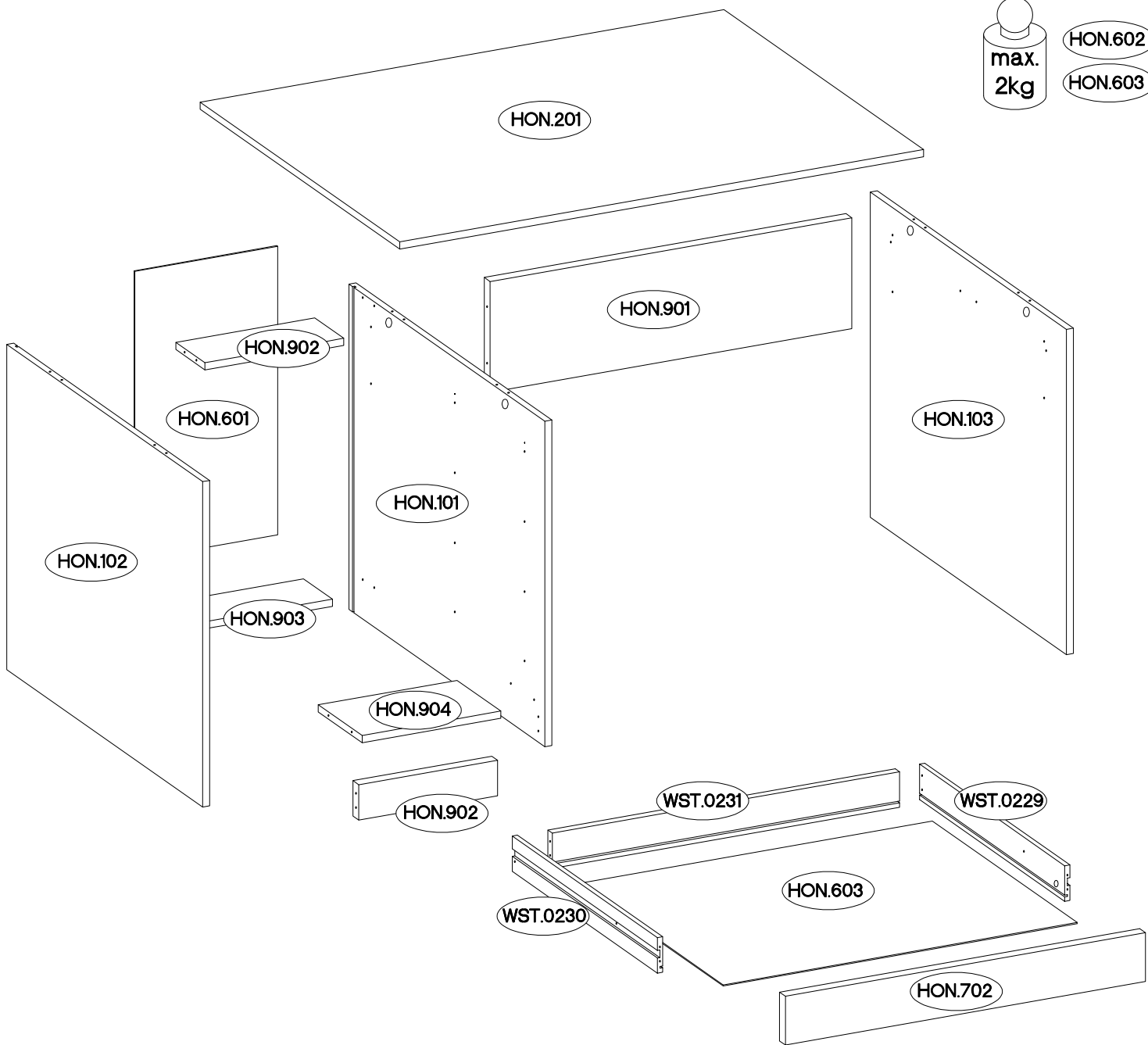


 A 30	 B 6	 B2 2	 C 8	 C5 10	 D2 18	 E 6	 E1 4	 F4 6
 I2 5	 L 4	 M 20	 O 1	 O11 1	 P7 8-10	 U1 10		

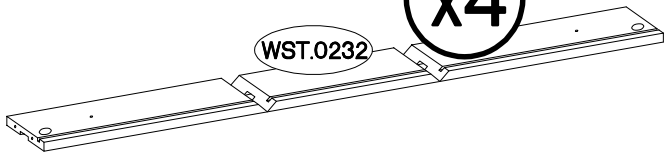
max.
2kg

HON.602

HON.603



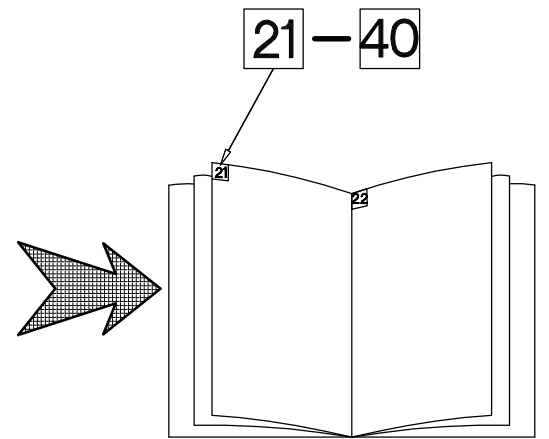
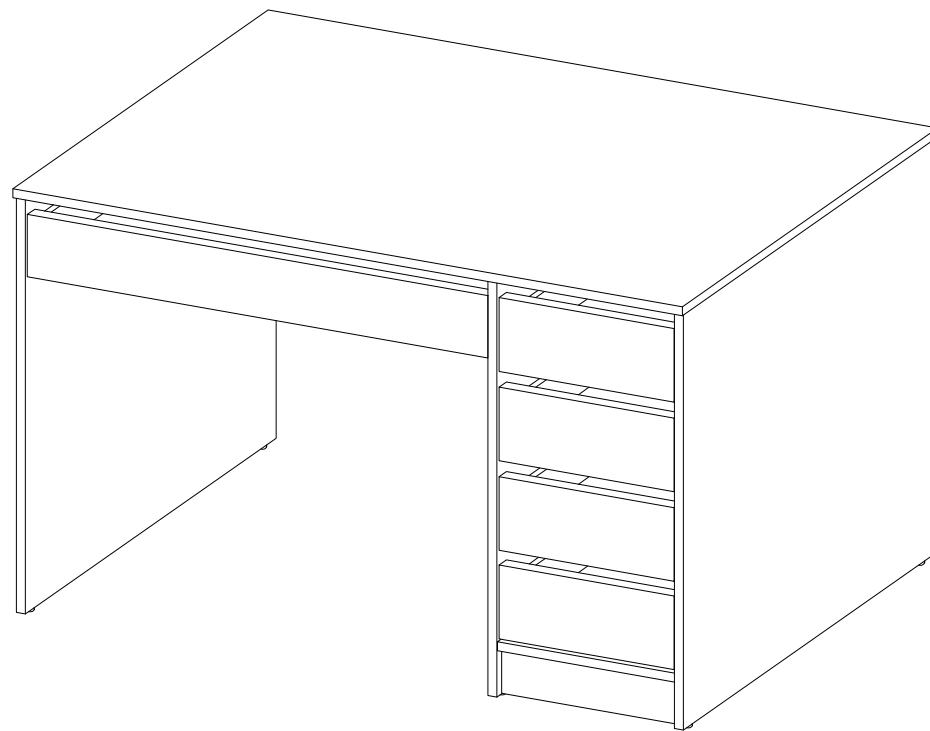
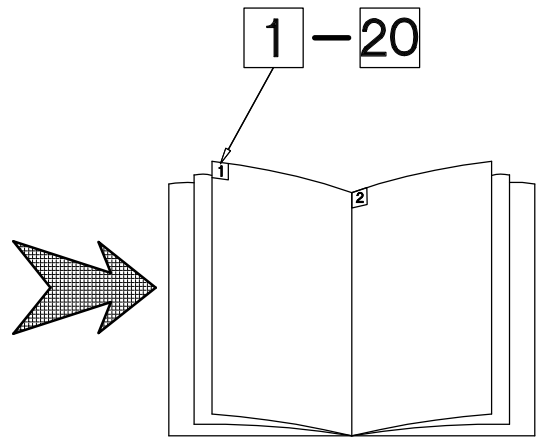
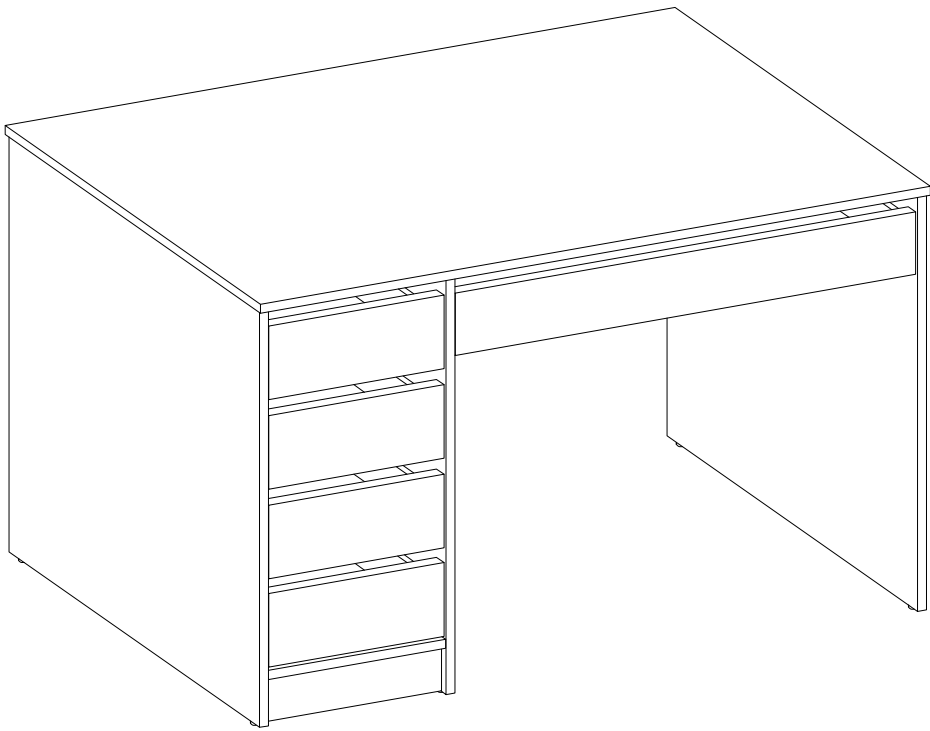
x4



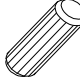

x4

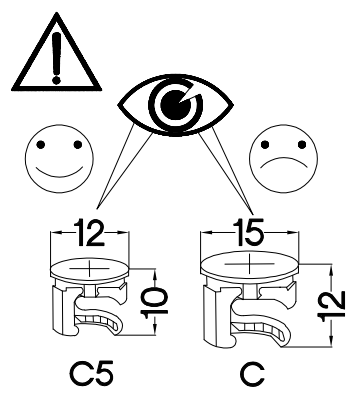
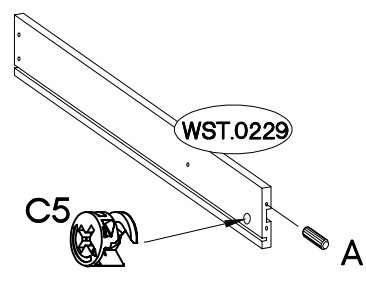
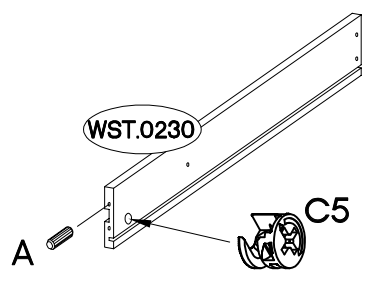
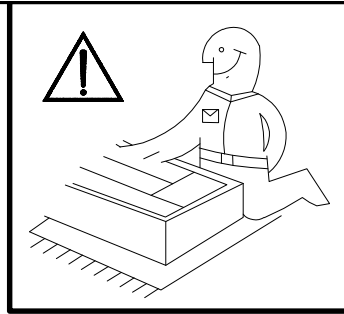
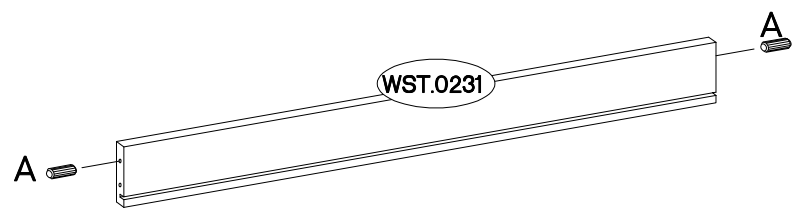


x4

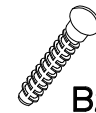


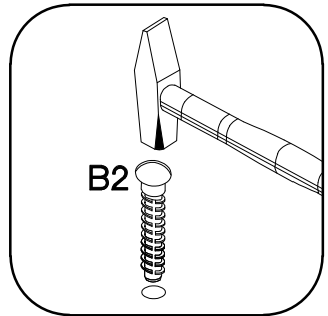
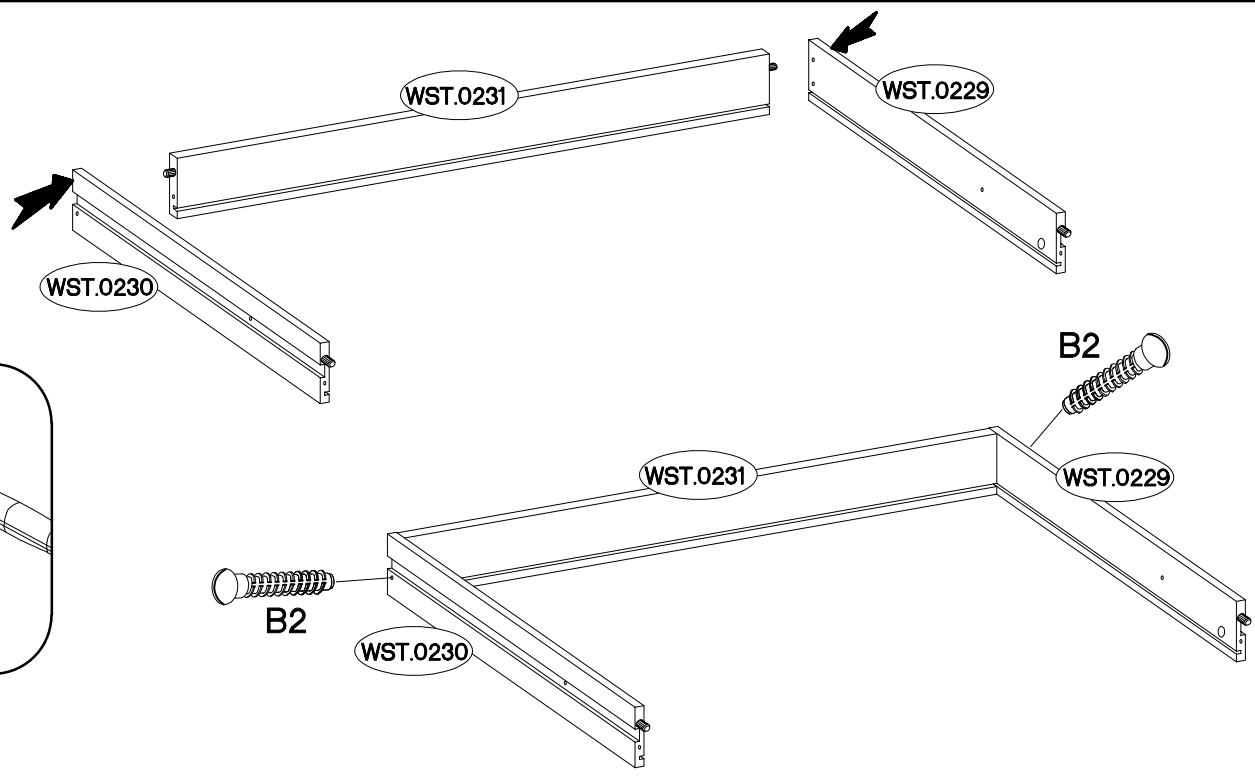
1

†8x30mm  A 4	†12/10mm  C5 2
---	---

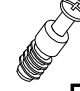


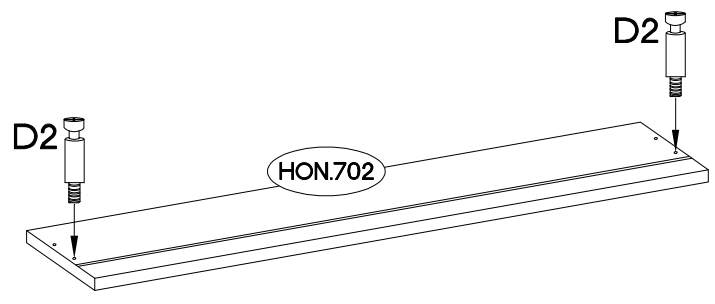
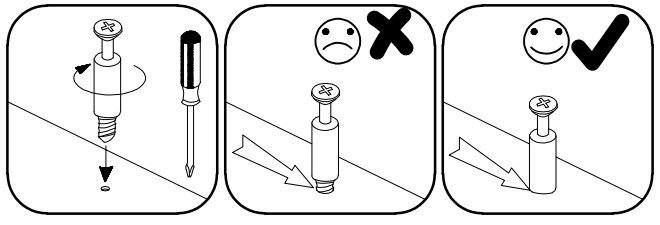
2

†6x42mm  B2 2

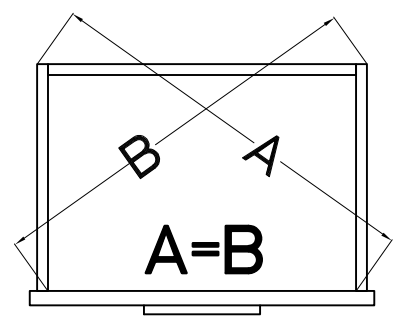
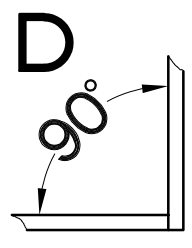
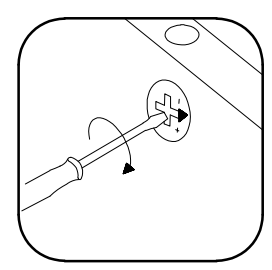
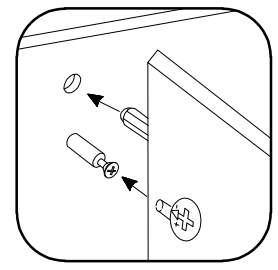
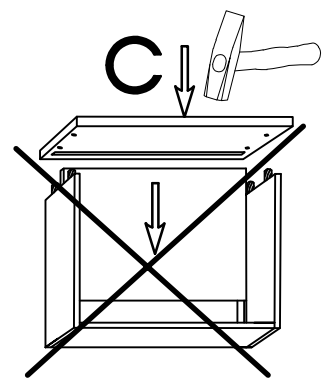
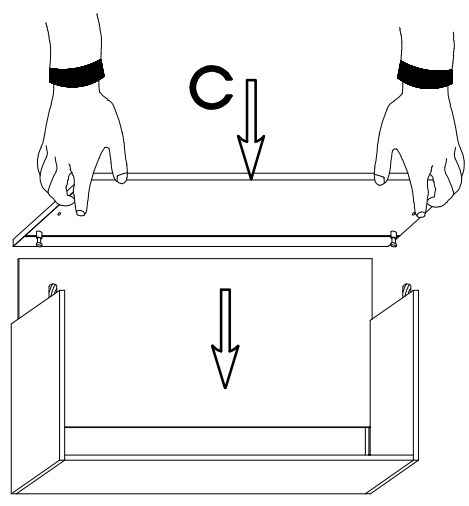
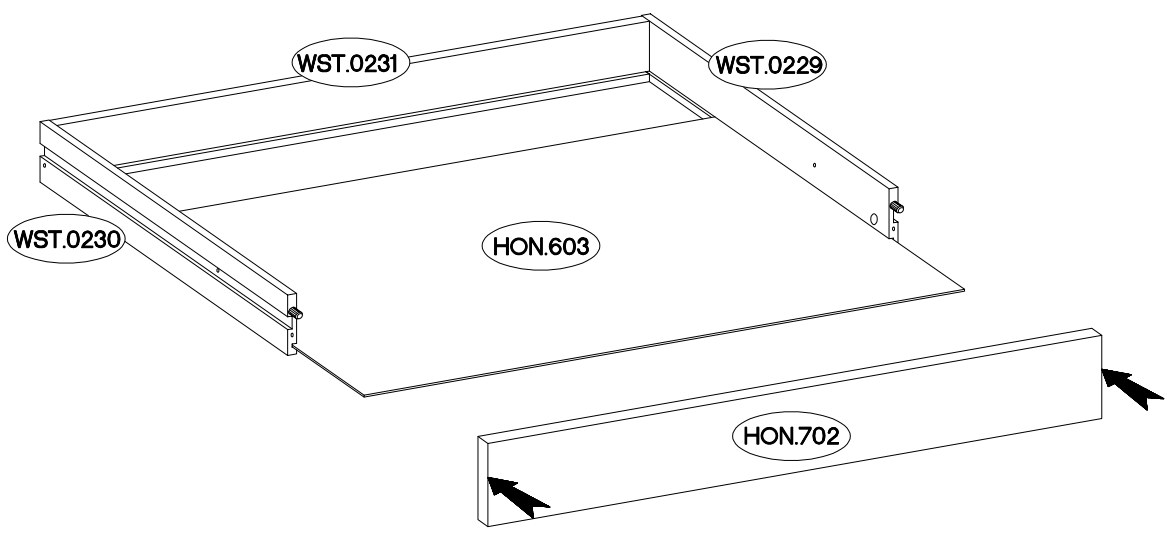
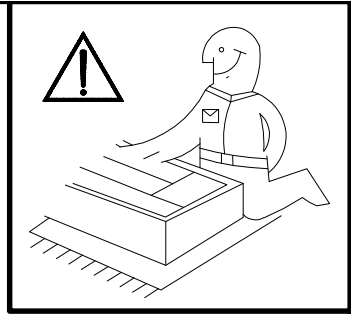


3

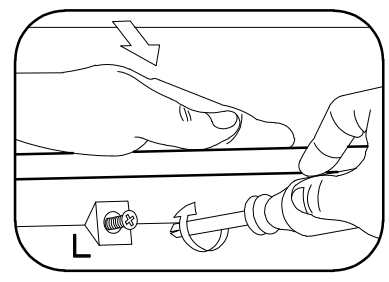
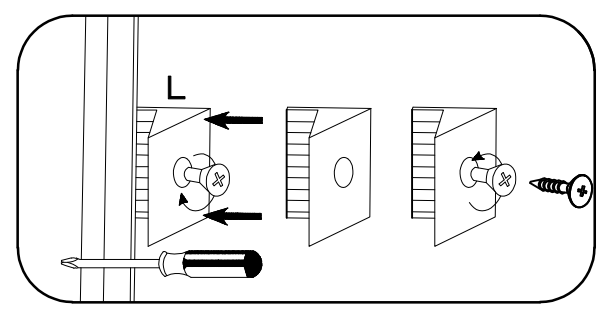
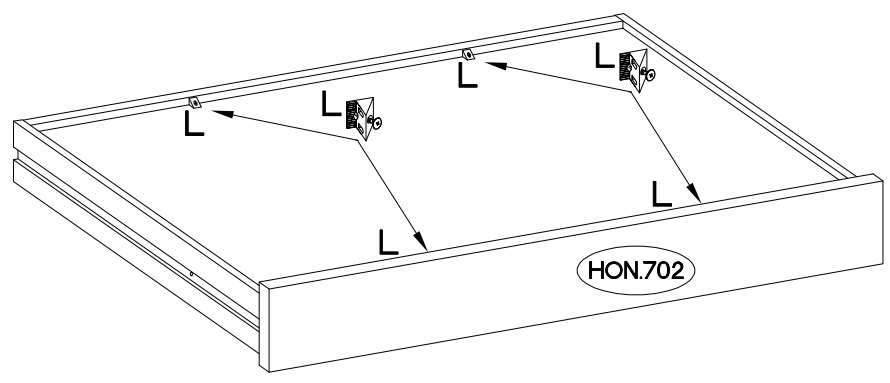
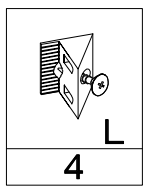
L=20mm  D2 2
--



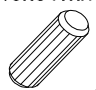

4

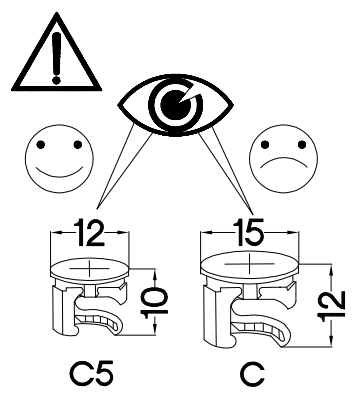
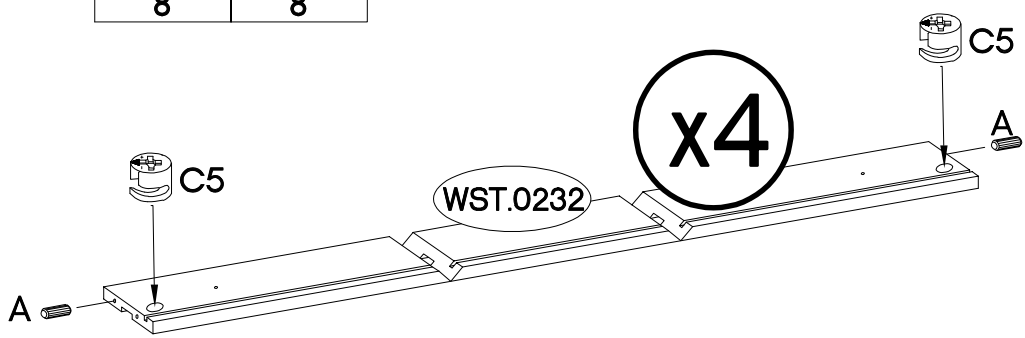
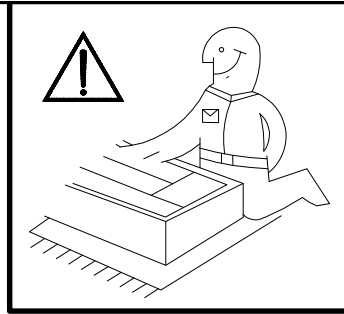


5




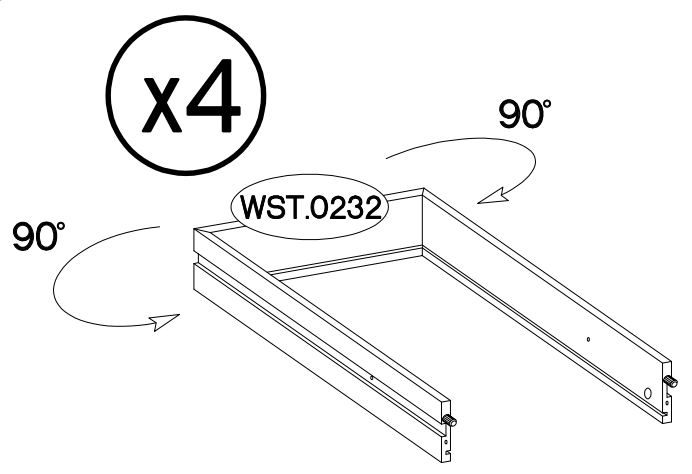
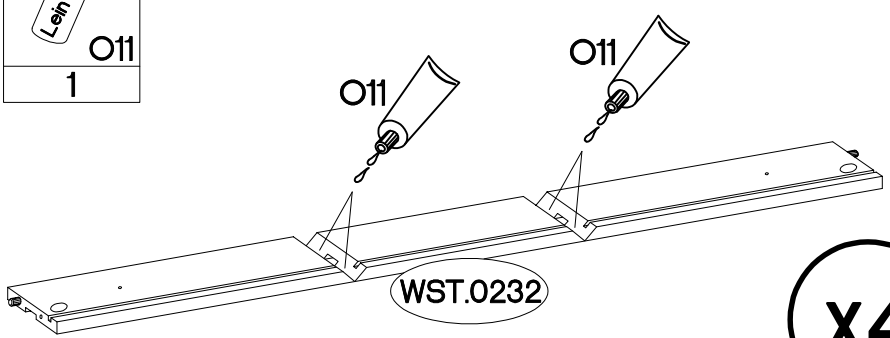
6

†8x30mm	†12/10mm
	
A	C5
8	8




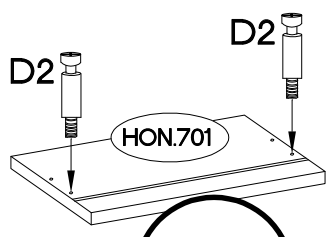
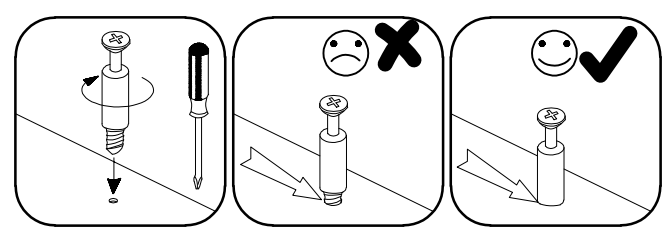
7

0,05

O11
1

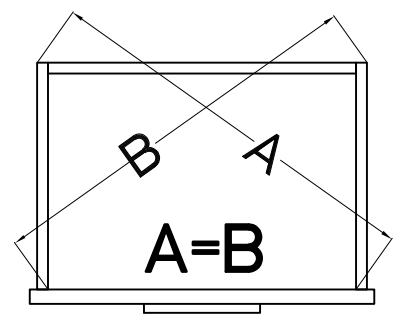
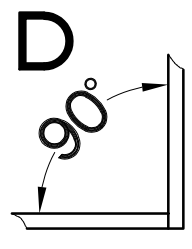
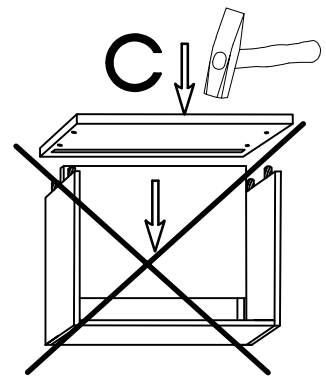
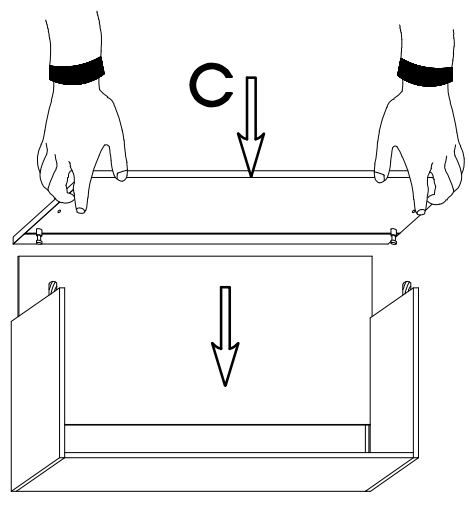
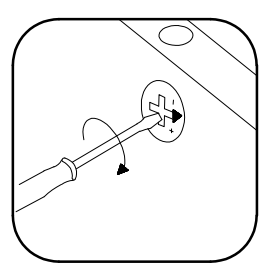
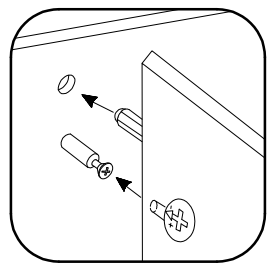
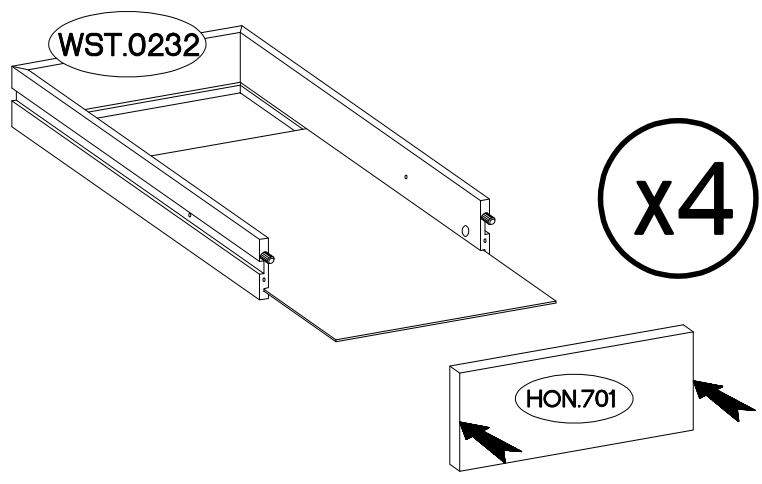
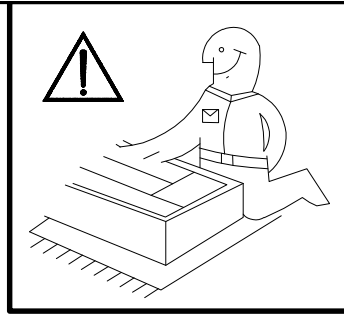


8

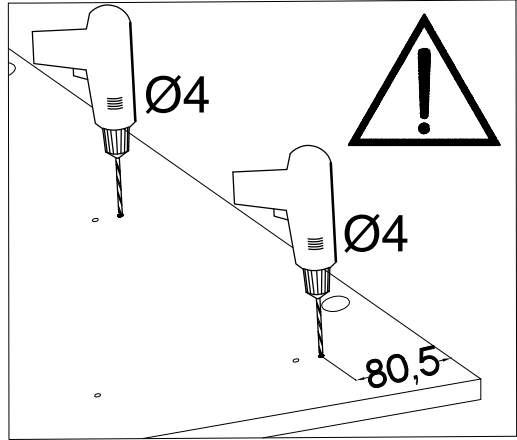
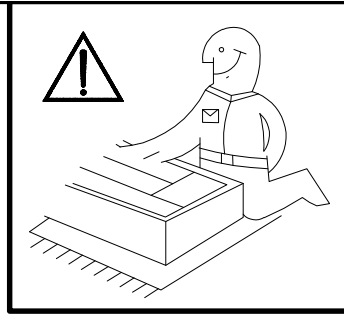
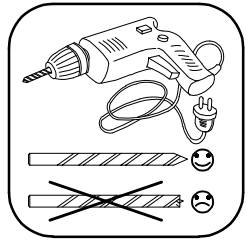
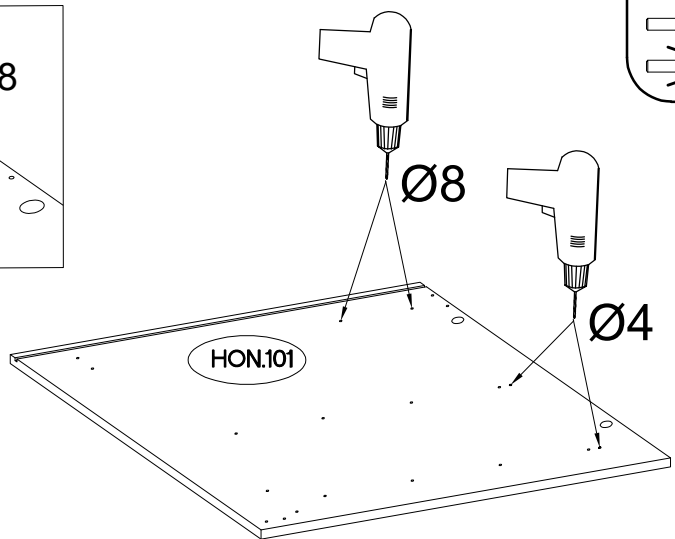
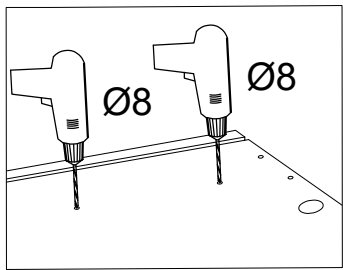
L=20mm

D2
8



x4

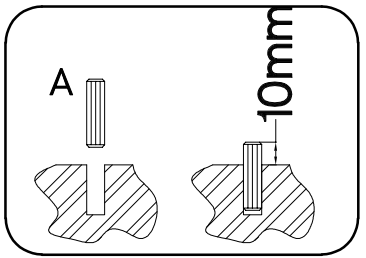
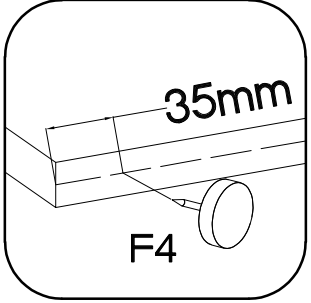
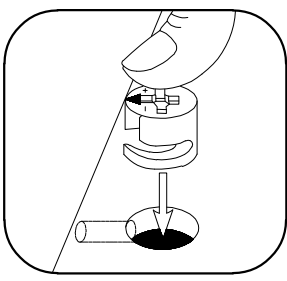
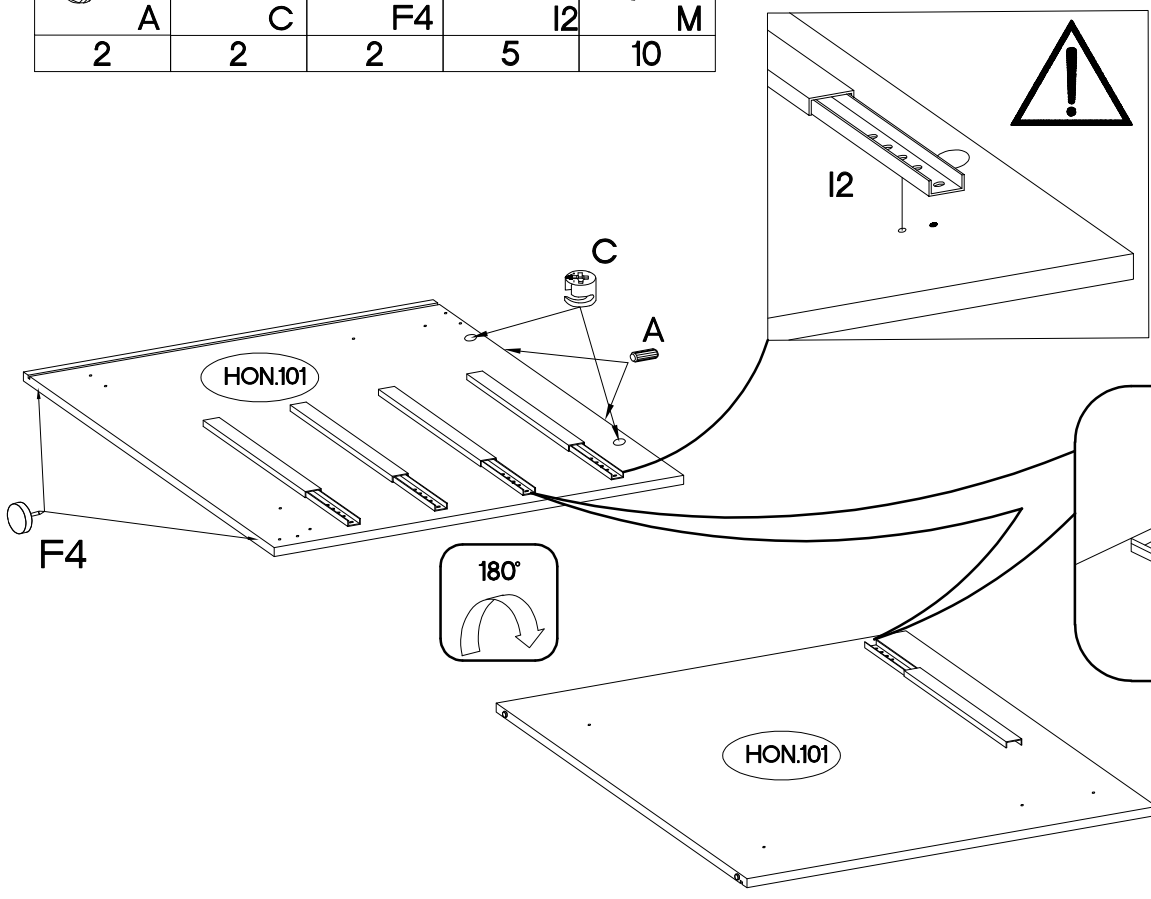








10

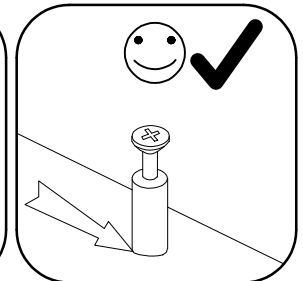
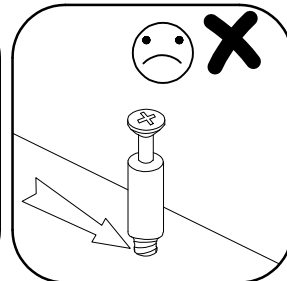
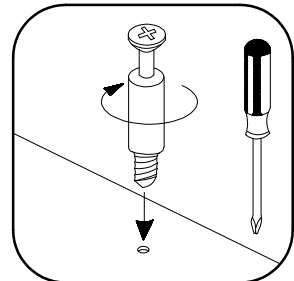
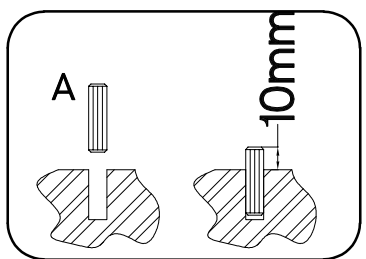
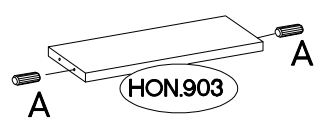
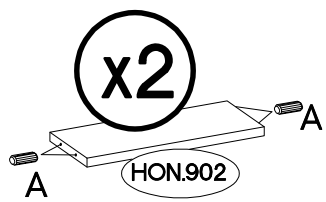
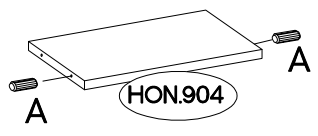
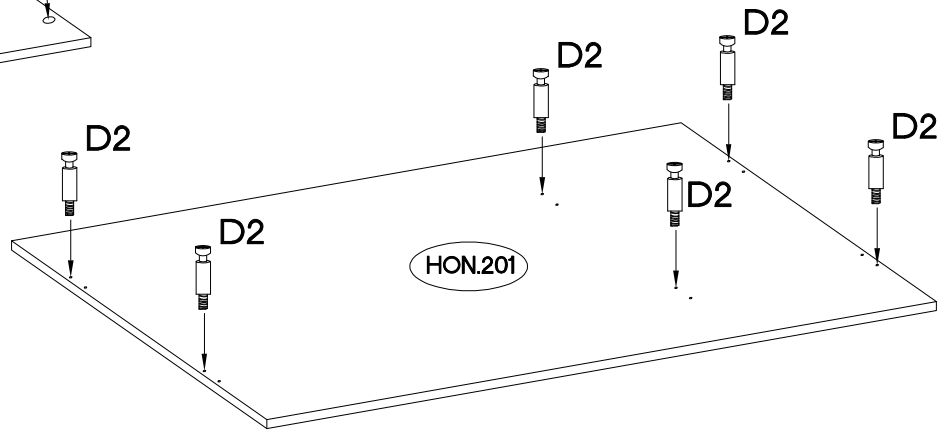
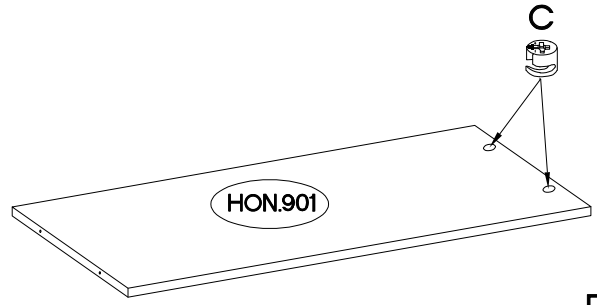
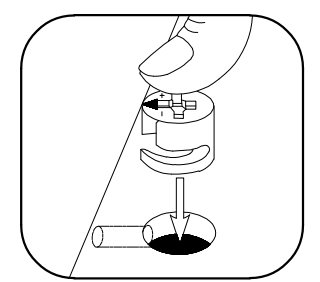
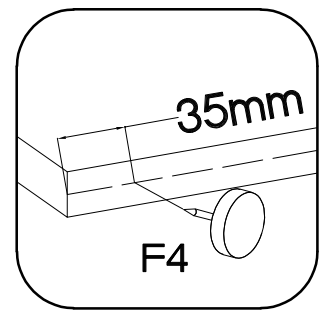
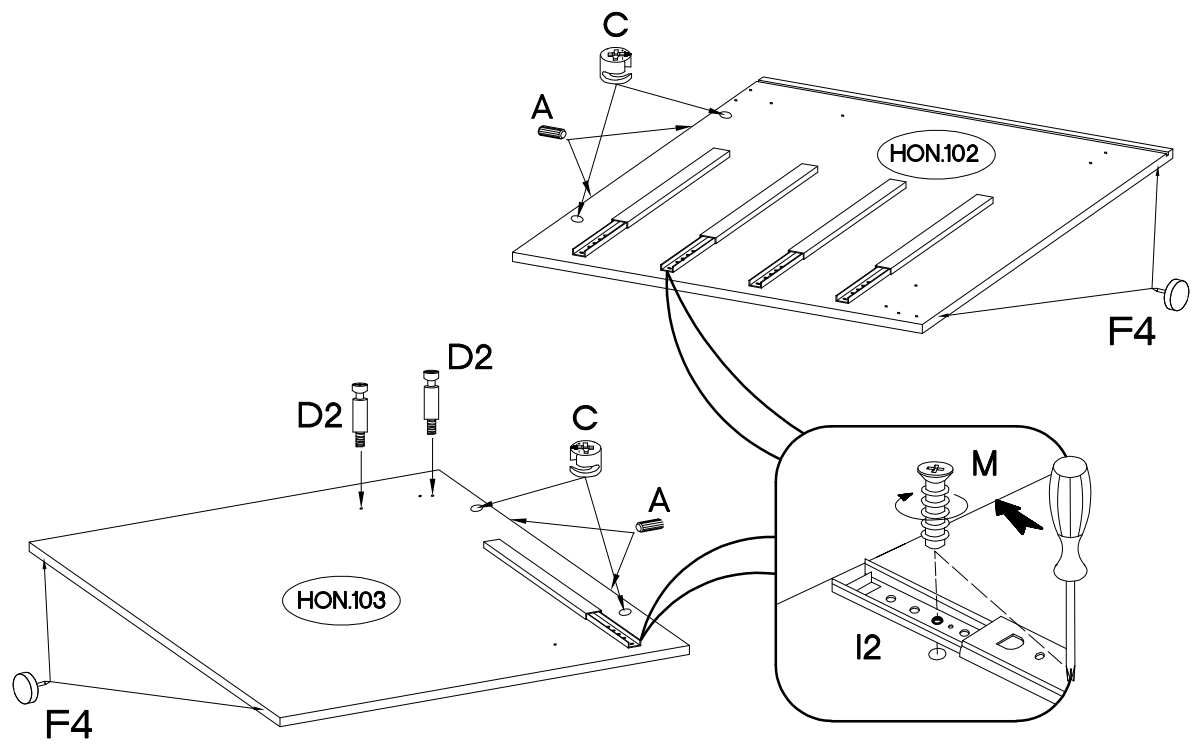
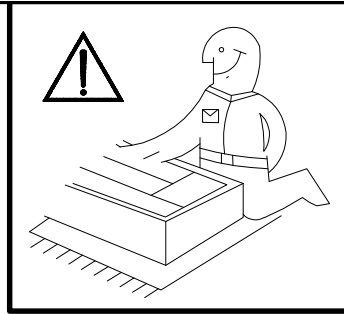


11

±8x30mm A	±15/12mm C	±15x5mm F4	17/310mm I2	±5.0x13mm M
2	2	2	5	10

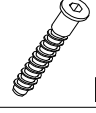
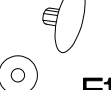



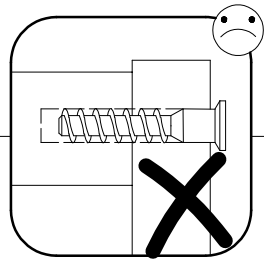
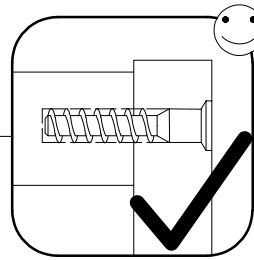
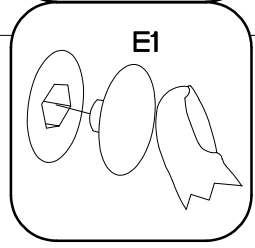
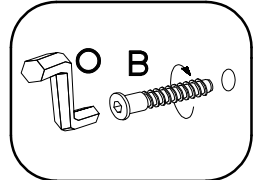
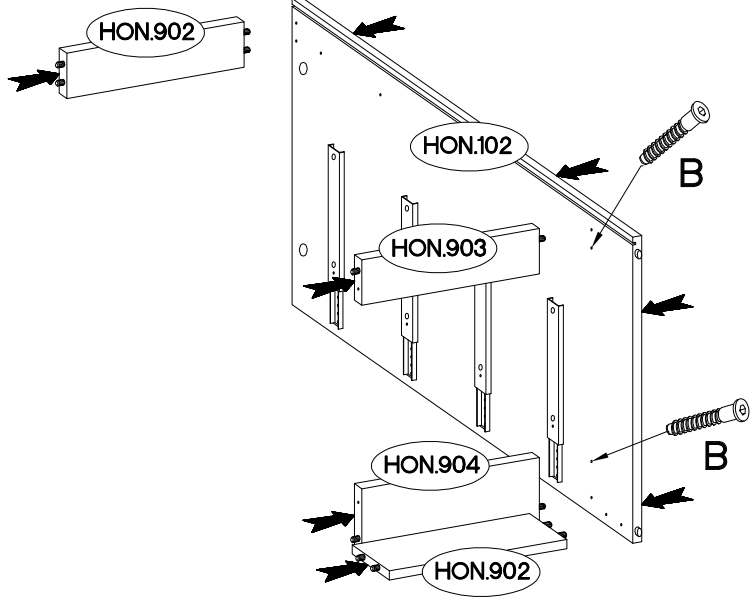
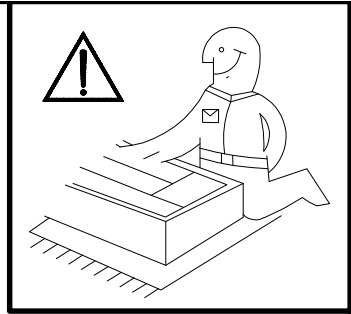
†8x30mm	†15/12mm	L=20mm	†15x5mm	17/310mm	†5.0x13mm
					
16	6	8	4	5	10



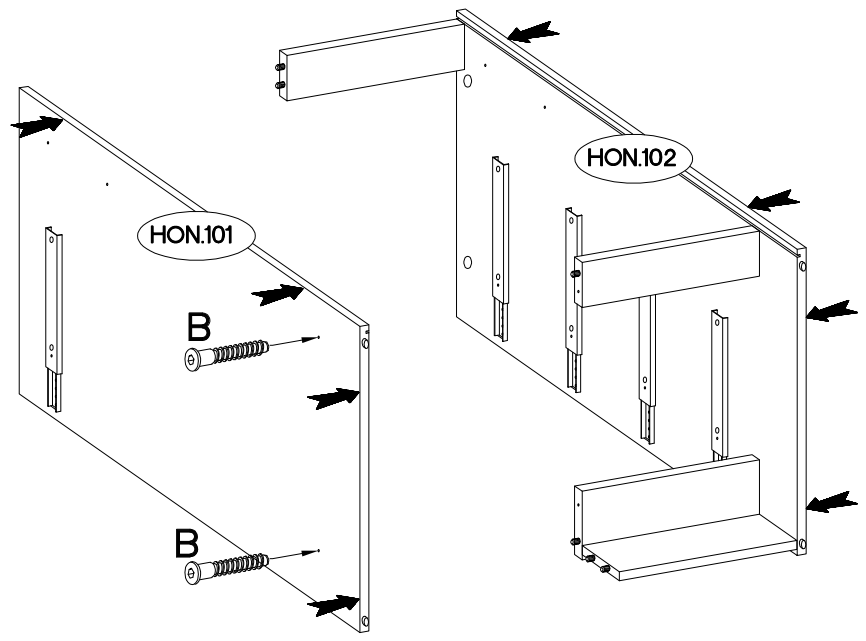
13

6,4 x 50mm

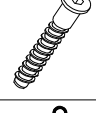


		
B	E1	O
2	2	1



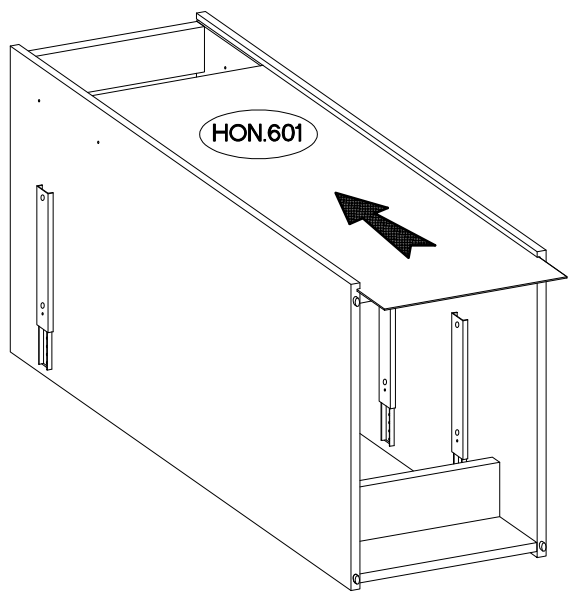
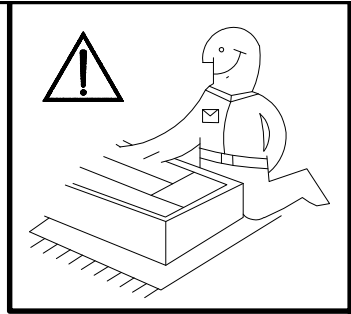
14



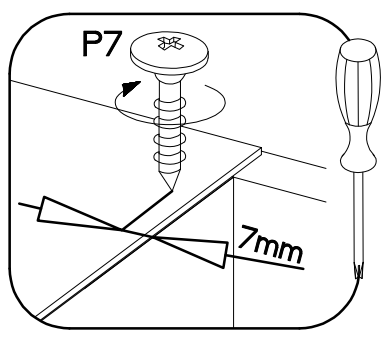
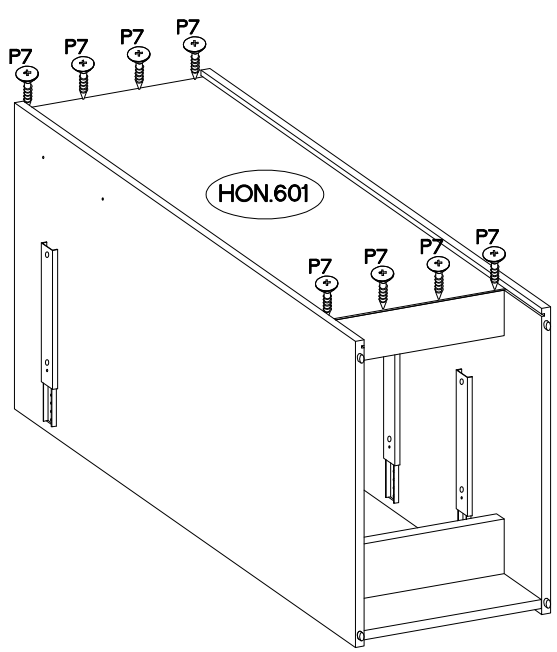
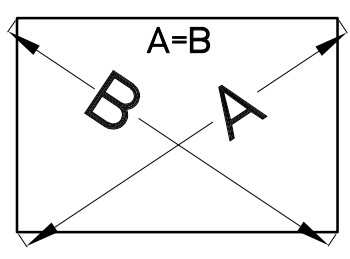
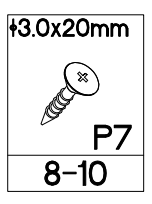
6,4 x 50mm

		
B	E1	O
2	2	1


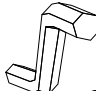
15

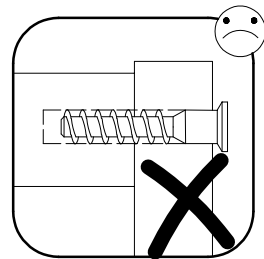
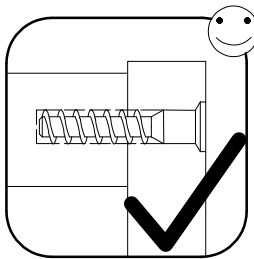
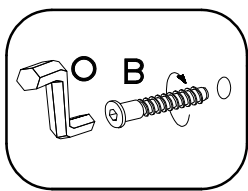
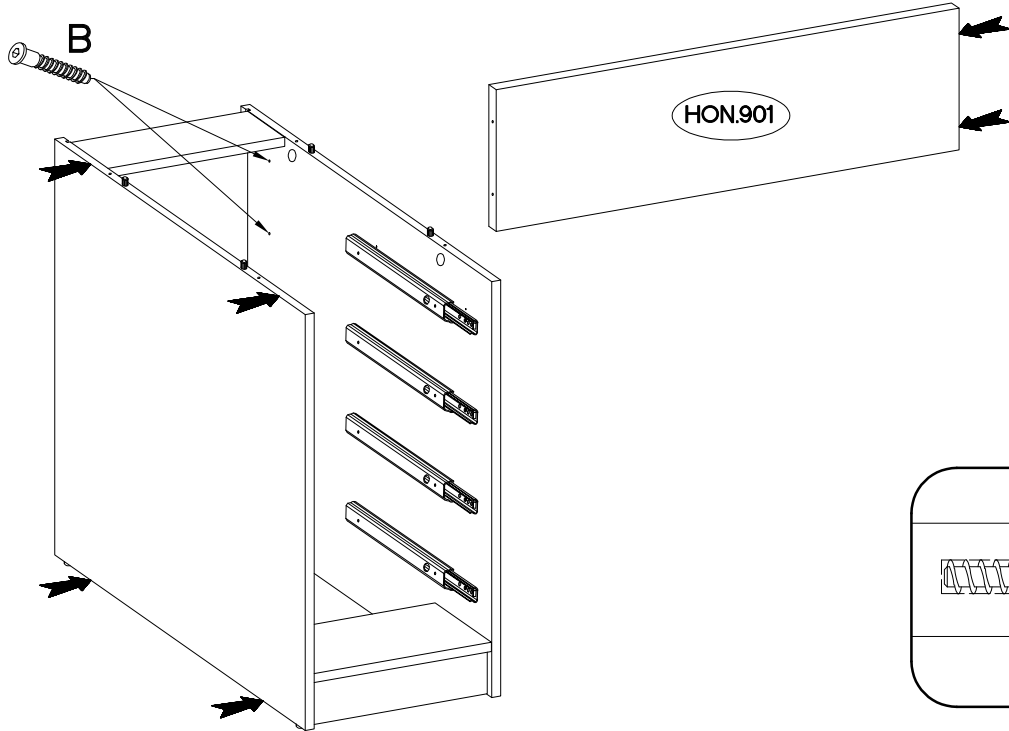
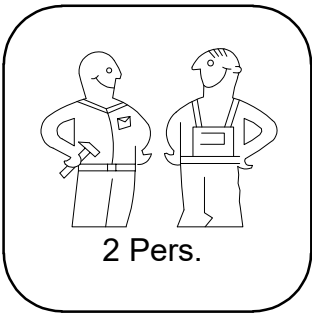


16

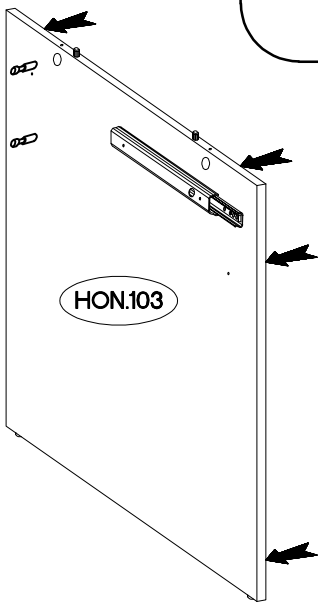
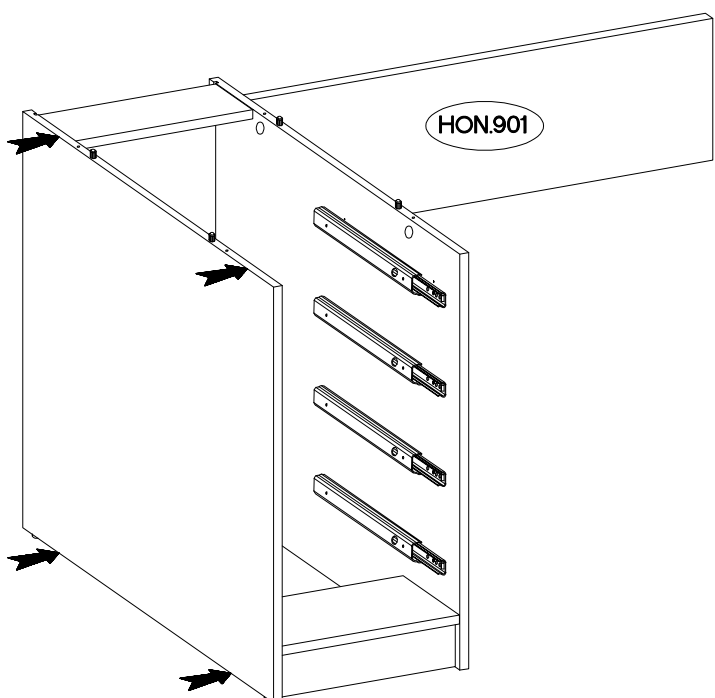
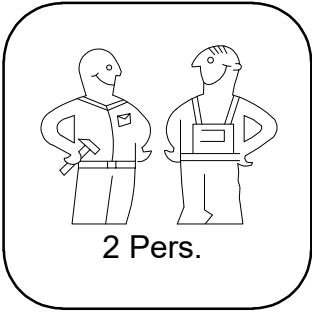
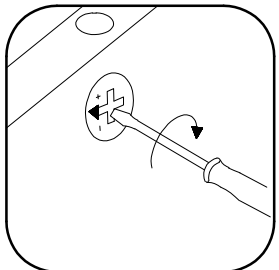
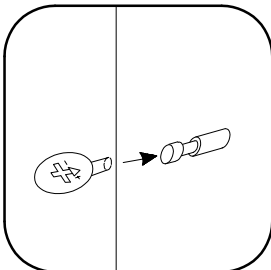


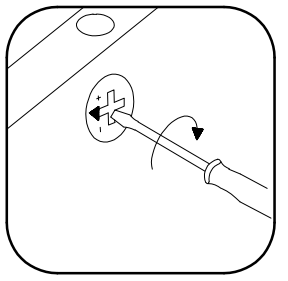
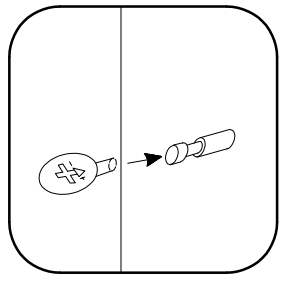
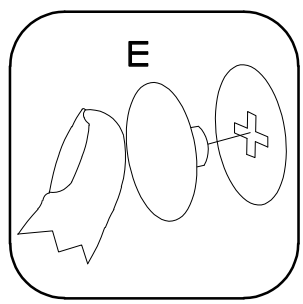
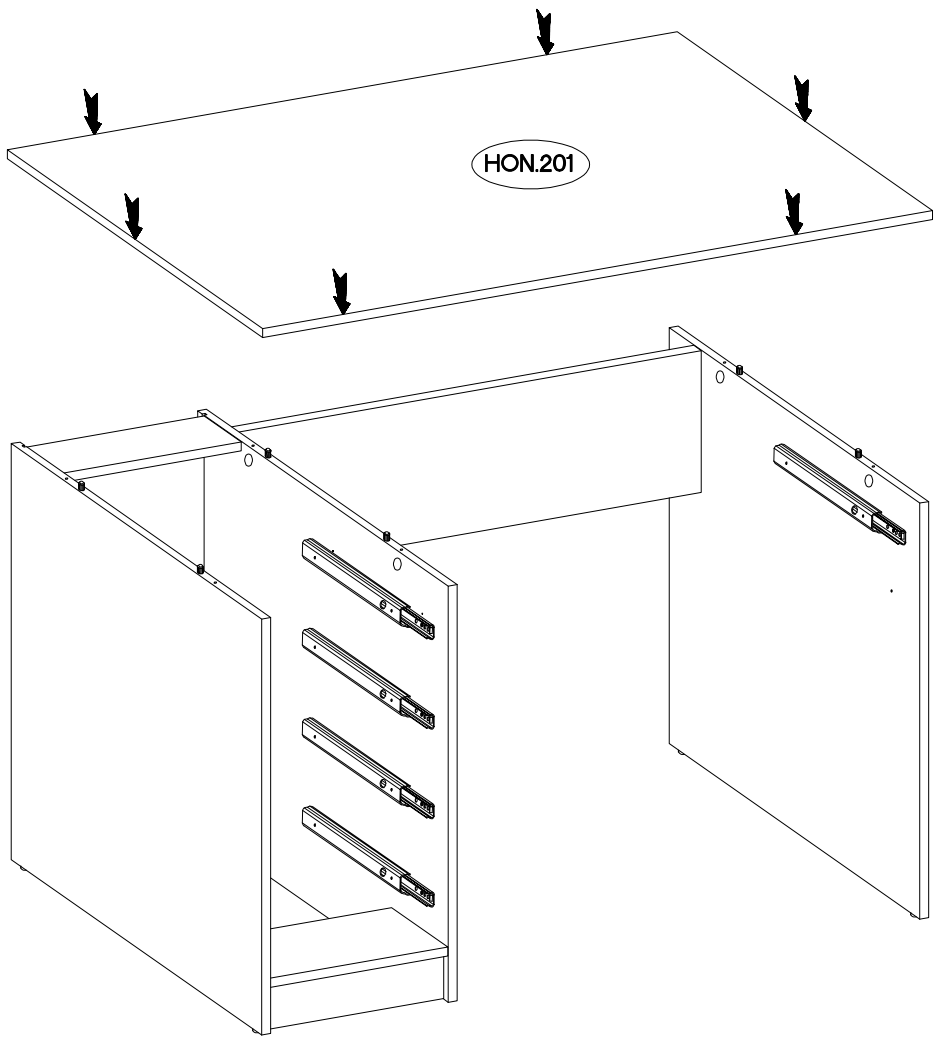
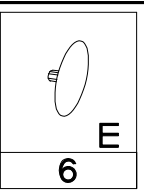
17


6,4 x 50mm	
	
B	O
2	1

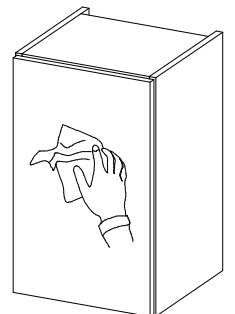
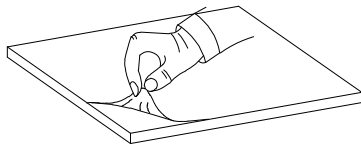
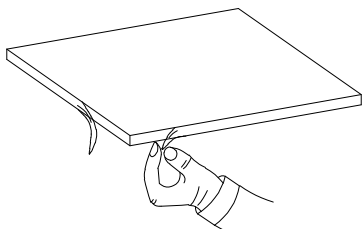
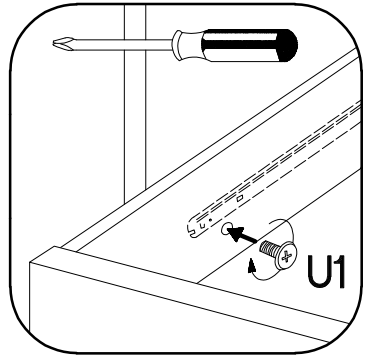
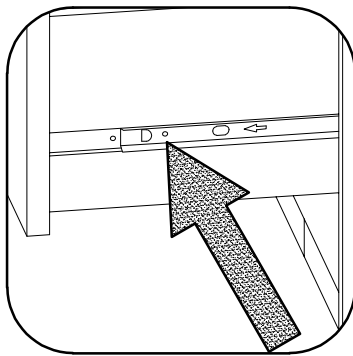
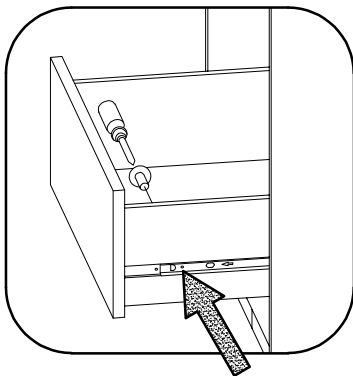
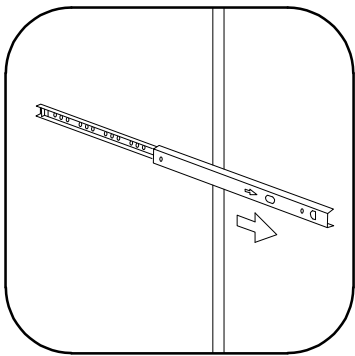
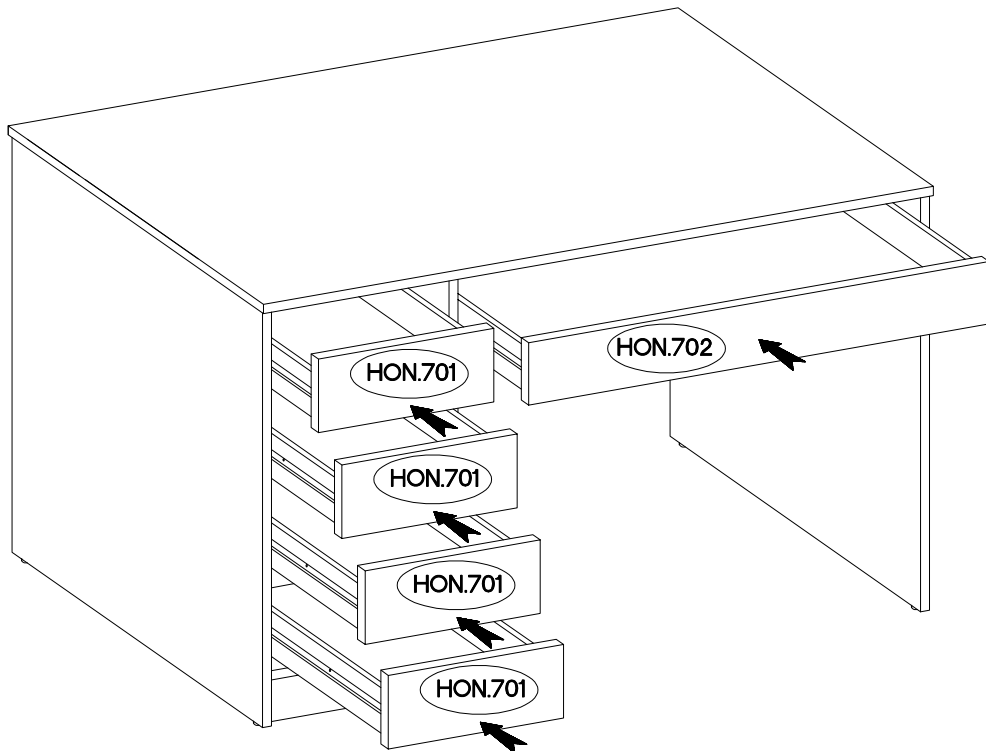


18

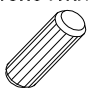



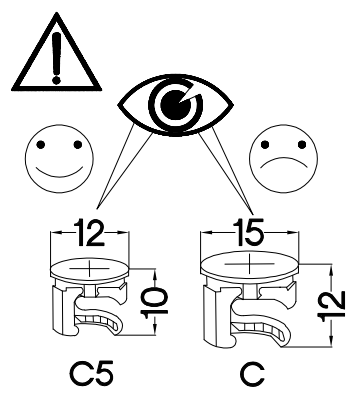
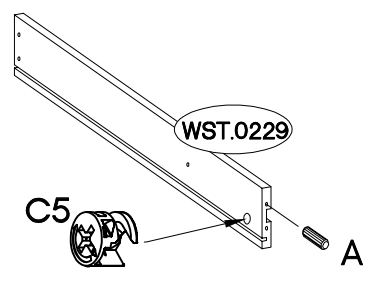
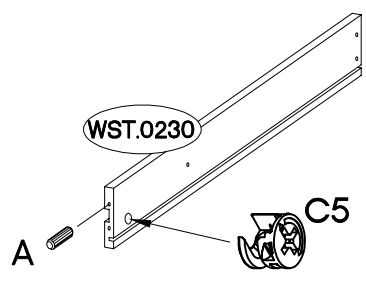
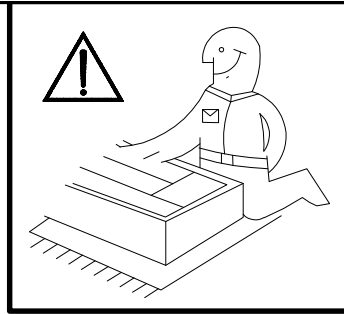
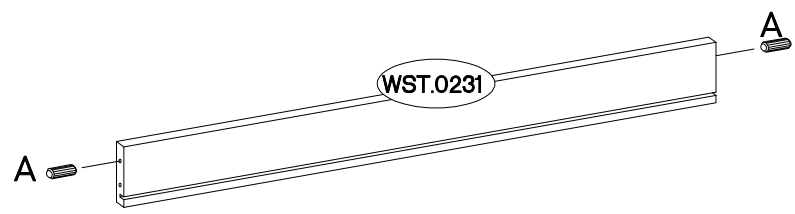


M4x9mm

U1
10




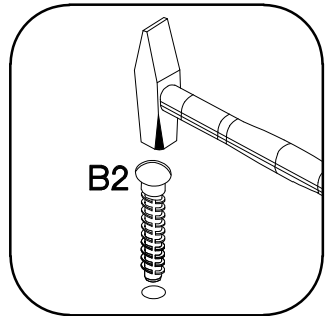
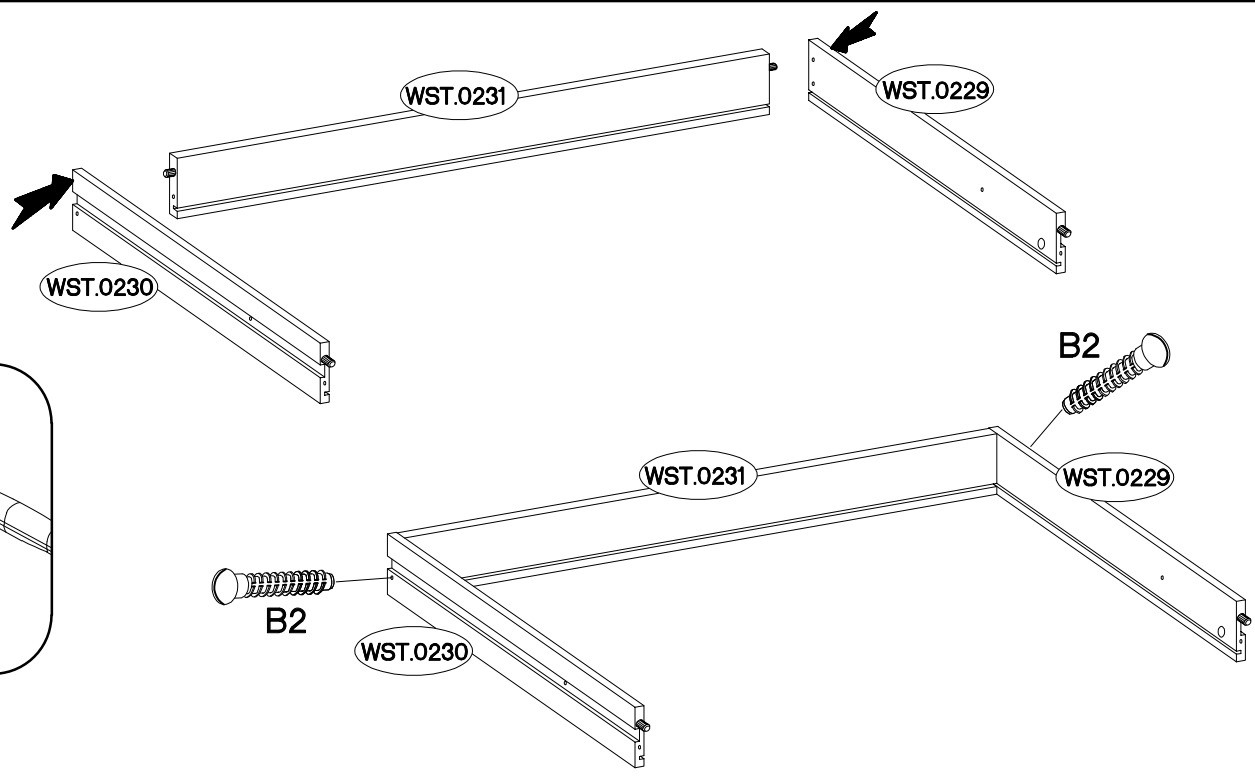
21

†8x30mm  A 4	†12/10mm  C5 2
---	---




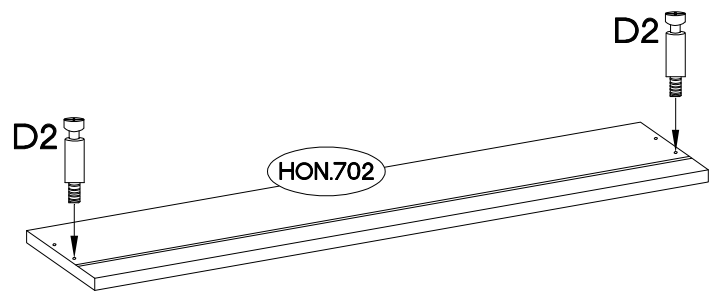
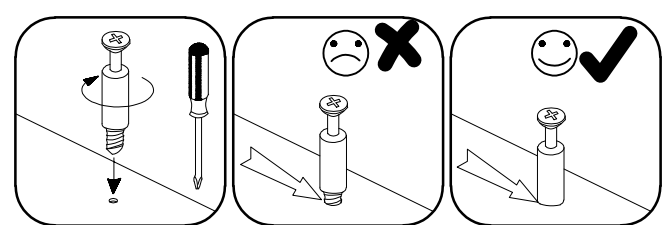
22

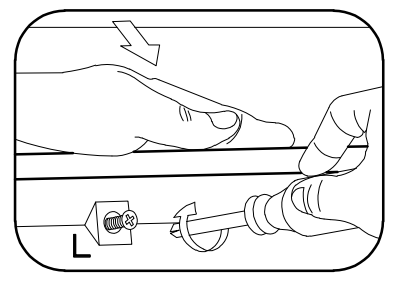
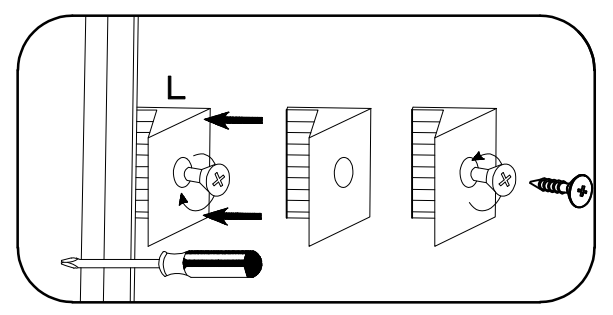
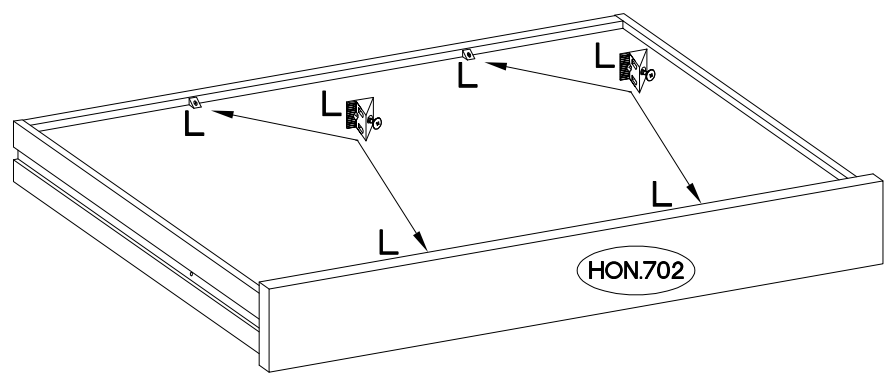
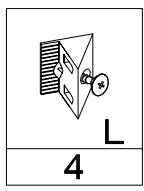
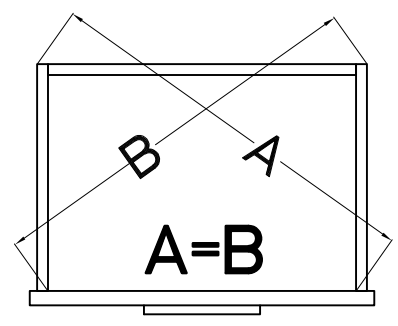
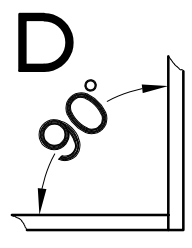
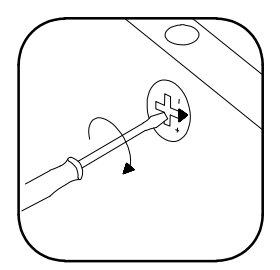
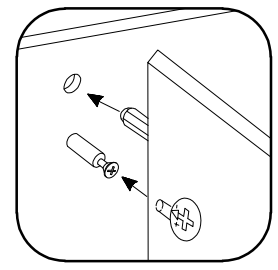
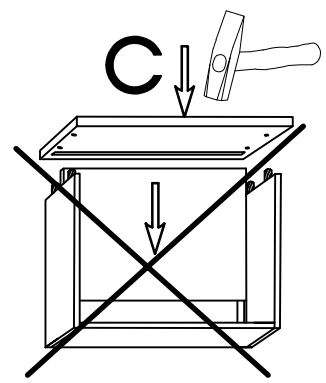
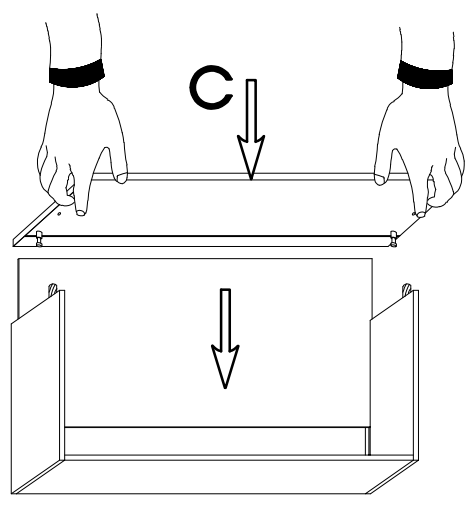
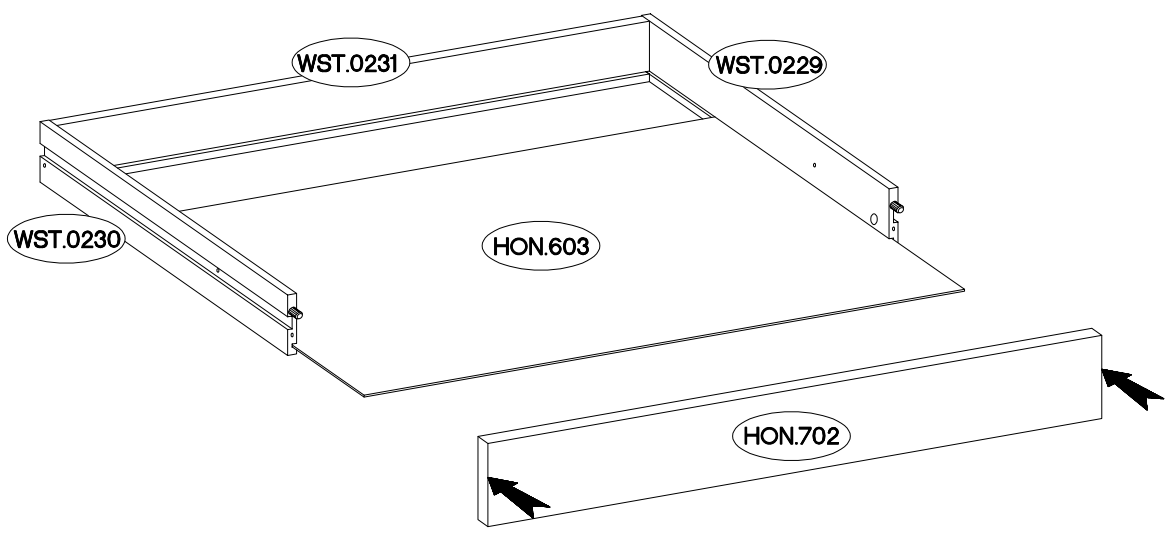
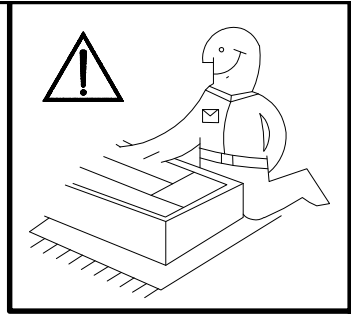
†6x42mm  B2 2



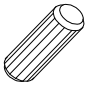

23

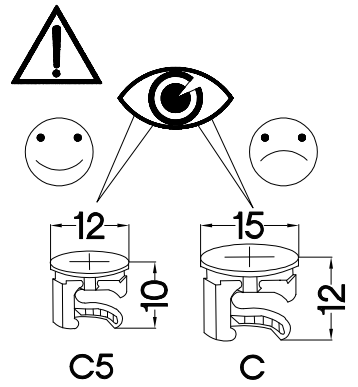
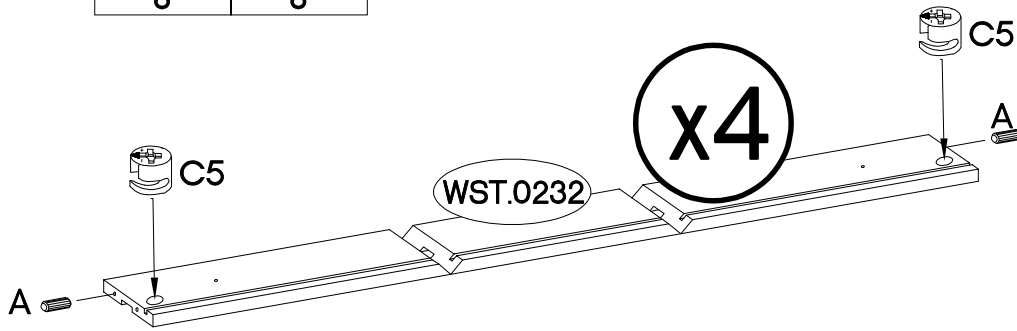
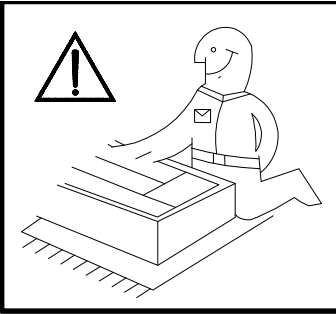
L=20mm  D2 2
--






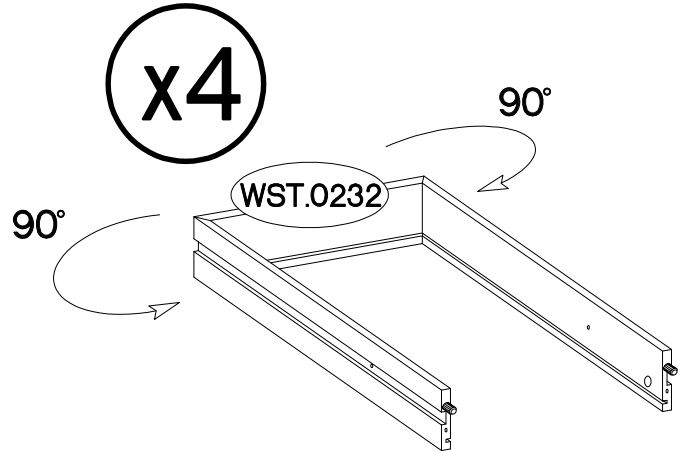
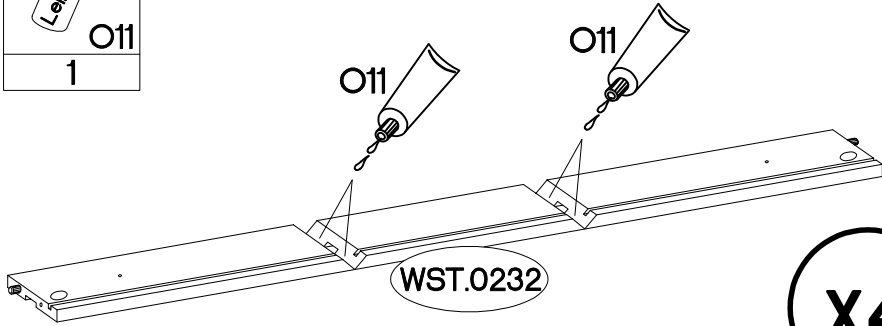
26

†8x30mm  A 8	†12/10mm  C5 8
---	---




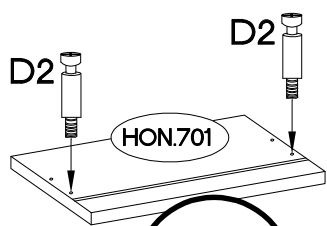
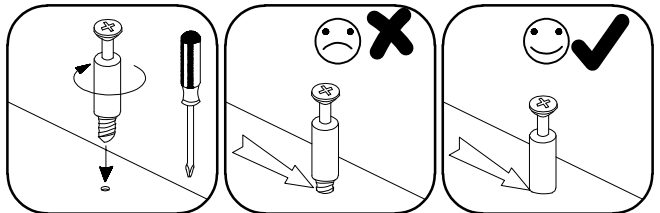
27

0,05  O11 1

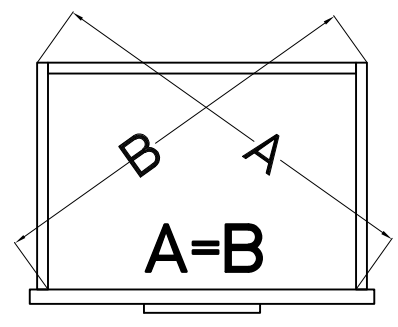
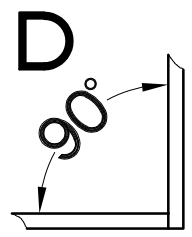
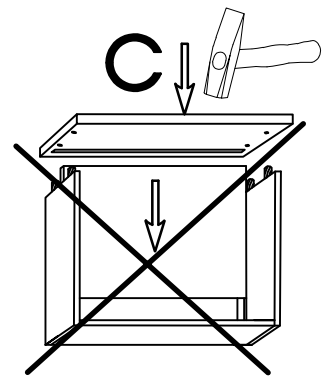
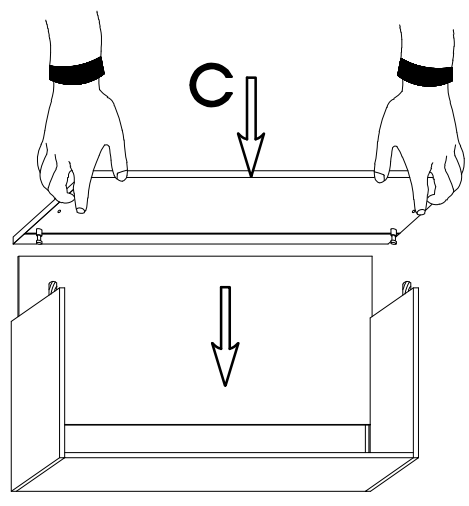
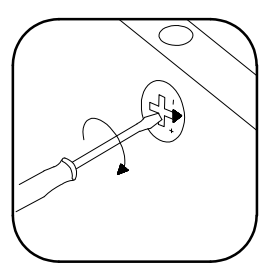
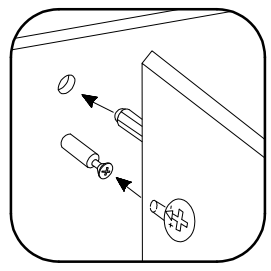
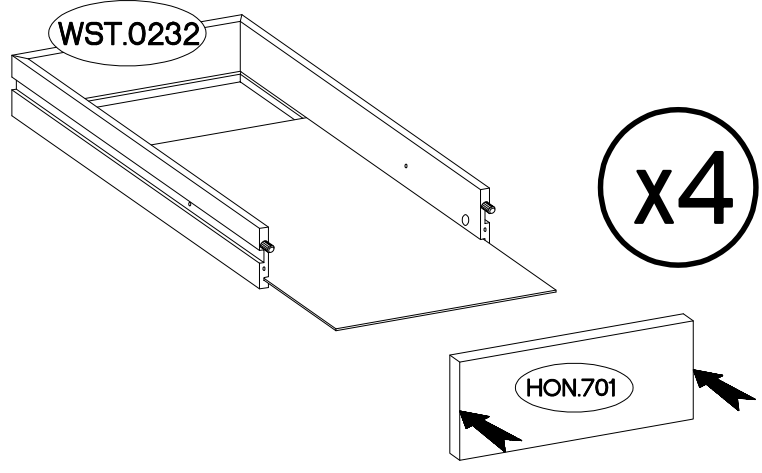
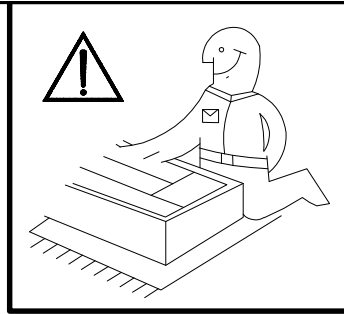


28

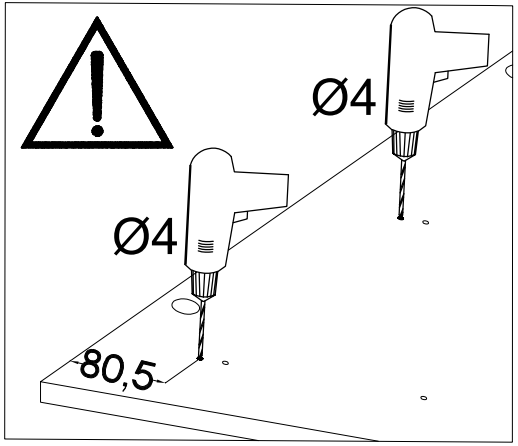
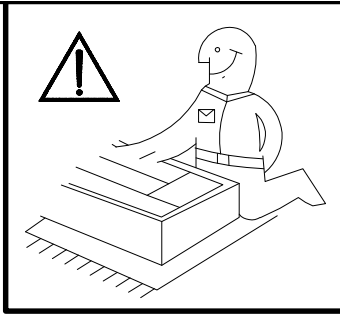
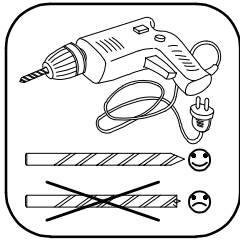
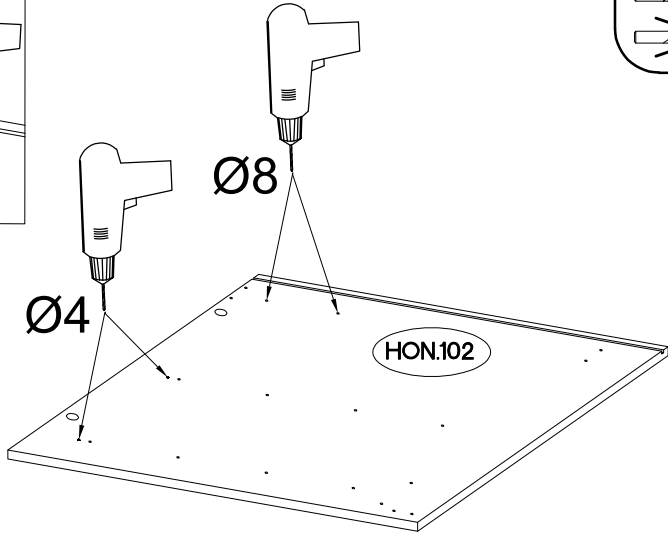
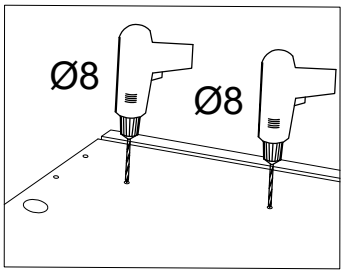
L=20mm  D2 8
--



x4

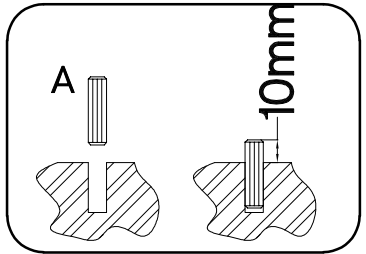
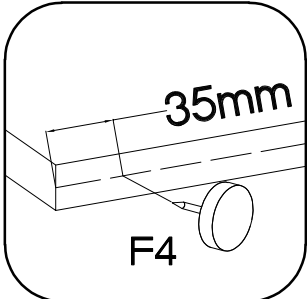
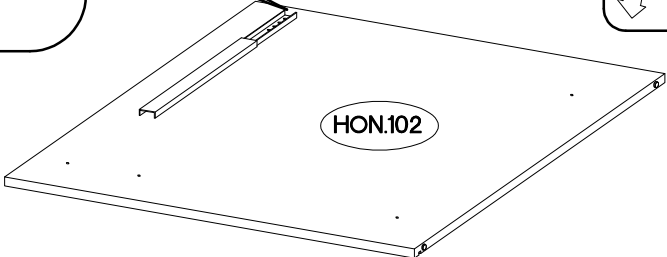
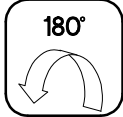
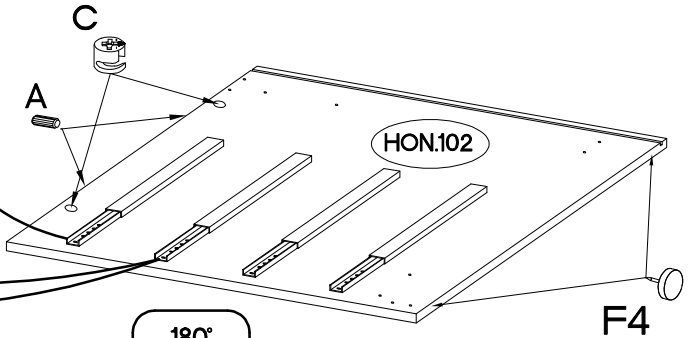
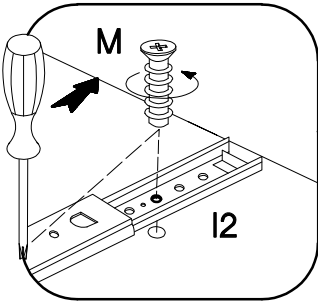
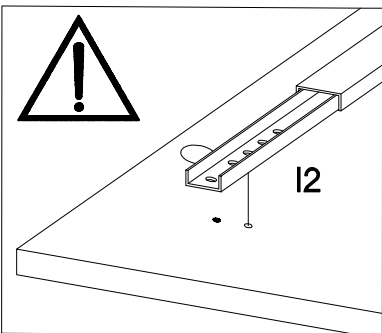
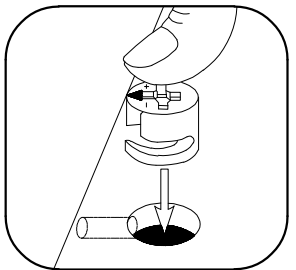








30

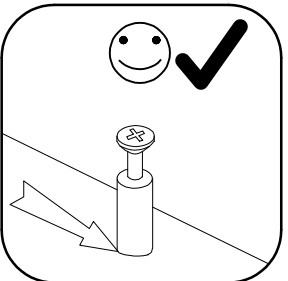
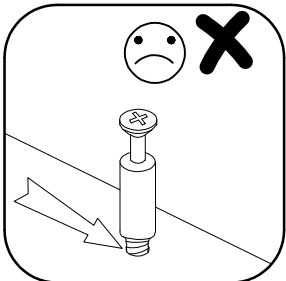
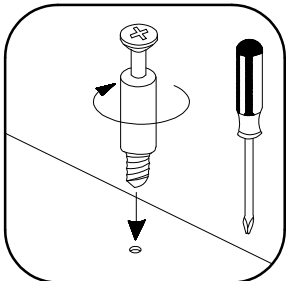
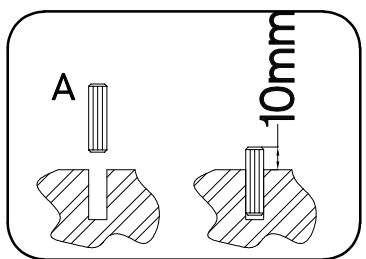
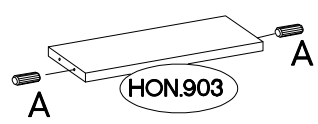
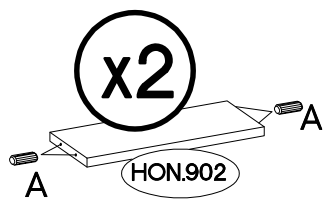
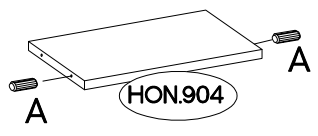
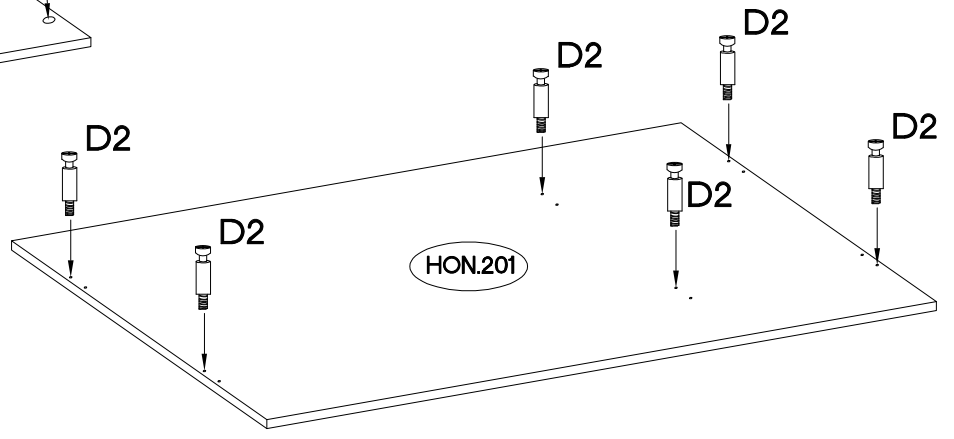
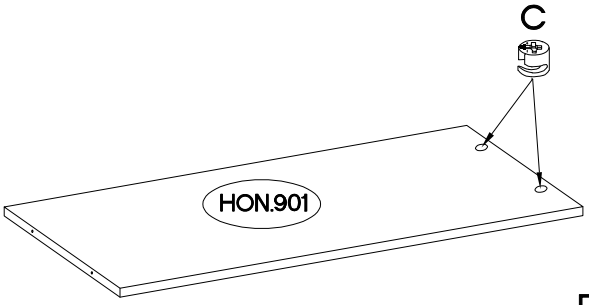
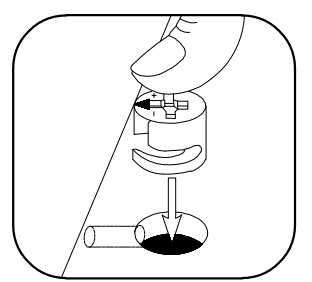
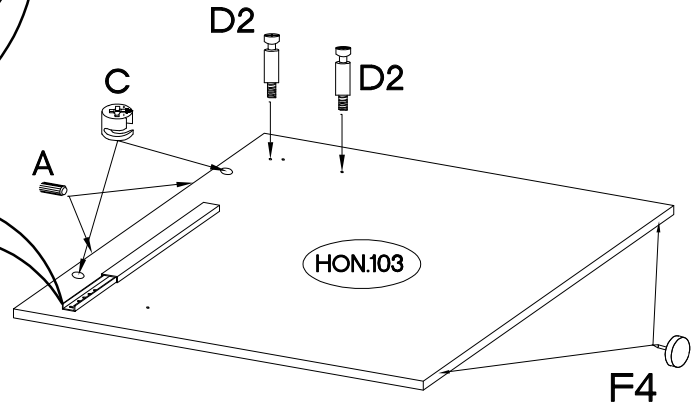
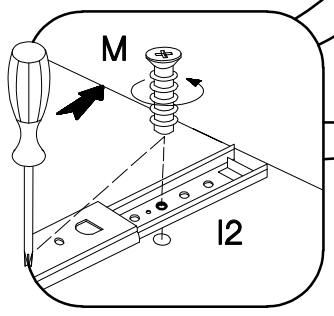
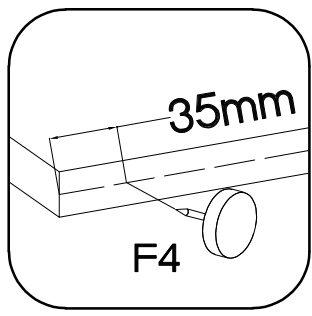
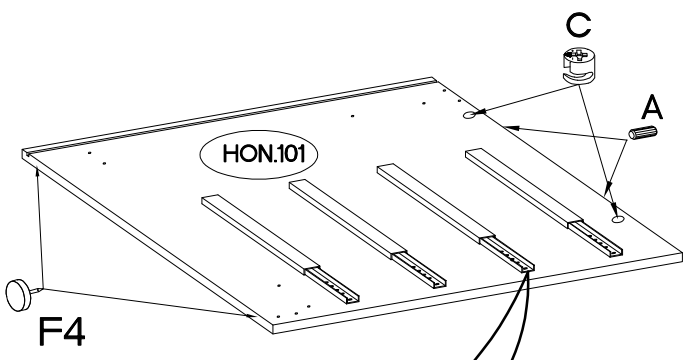
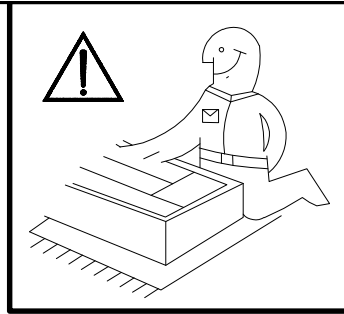


31

†8x30mm 	†15/12mm 	†15x5mm 	17/310mm 	†5.0x13mm
A	C	F4	I2	M
2	2	2	5	10

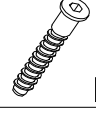




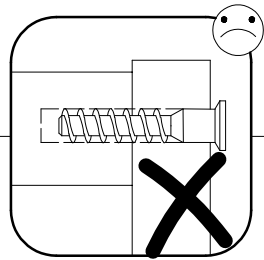
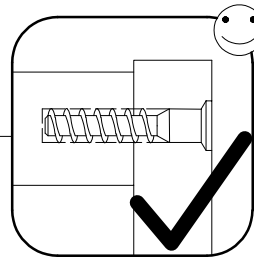
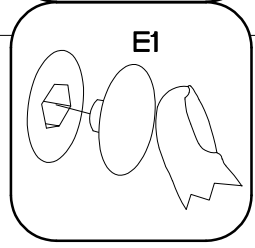
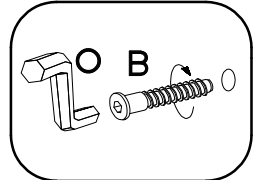
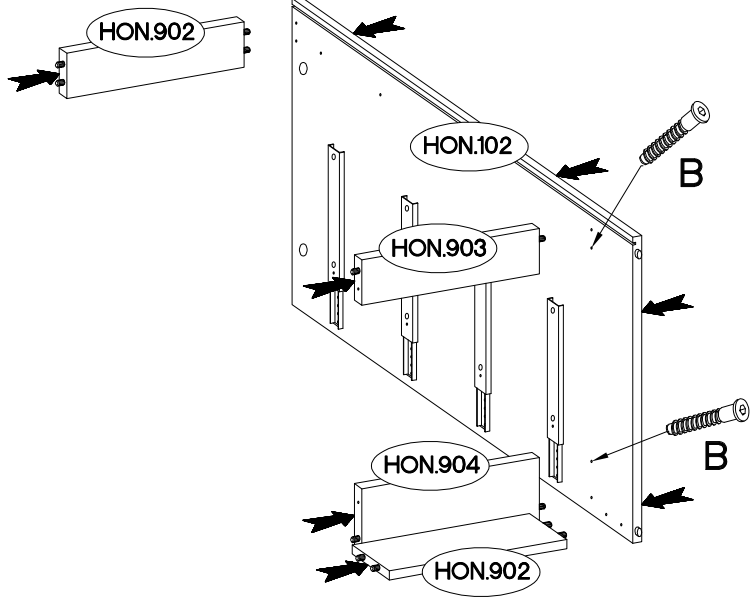
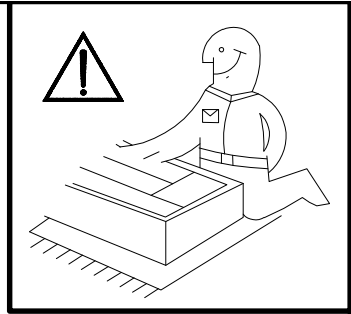
±8x30mm  A 16	±15/12mm  C 6	L=20mm  D2 8	±15x5mm  F4 4	17/310mm  I2 5	±5.0x13mm  M 10
--	--	---	--	---	--



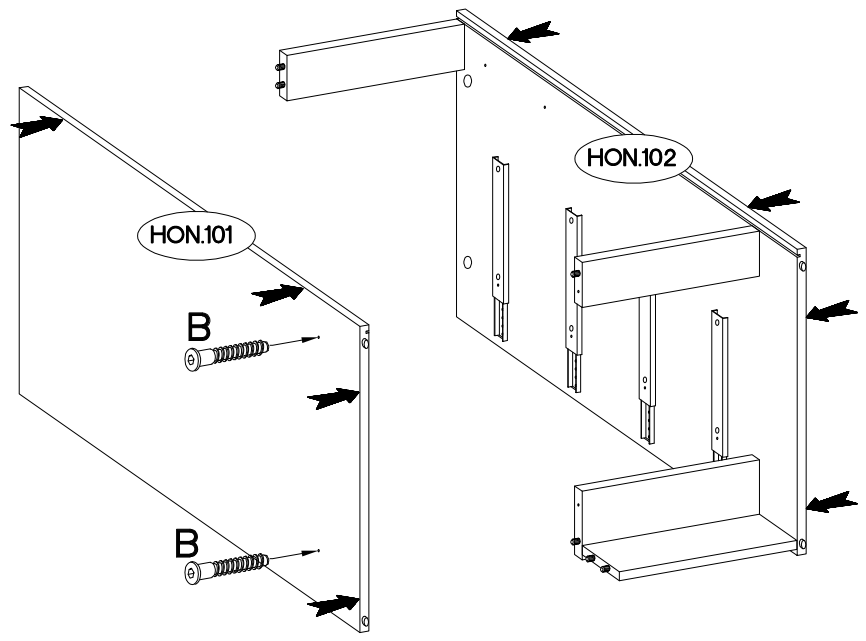
33

6,4 x 50mm

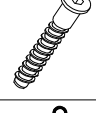


		
B	E1	O
2	2	1



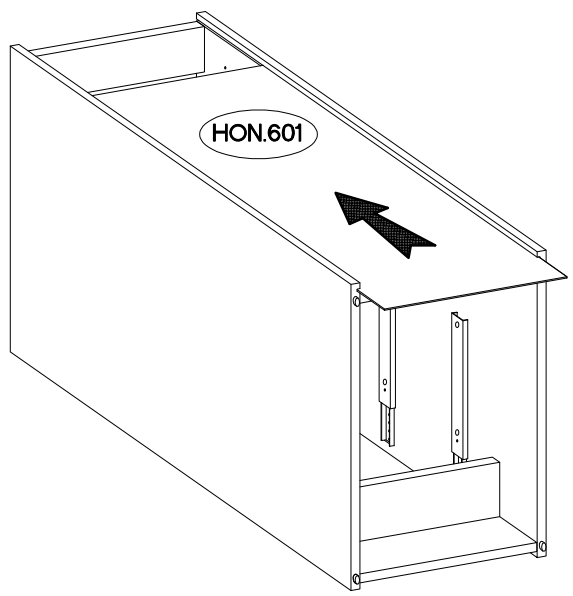
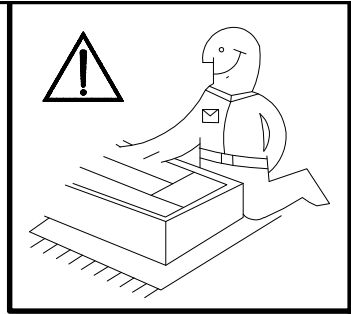
34



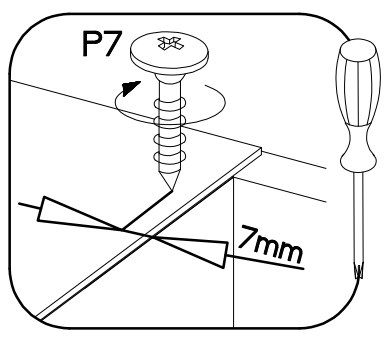
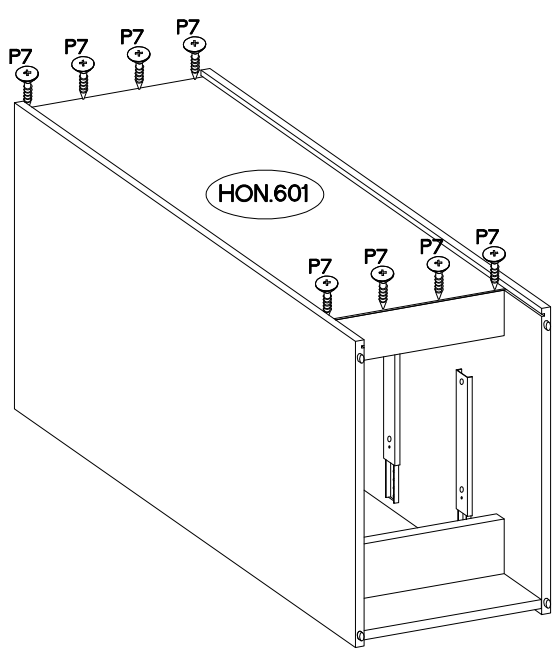
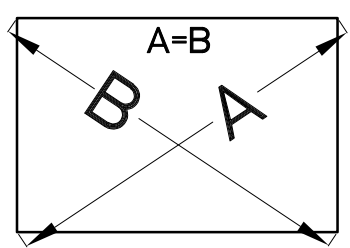
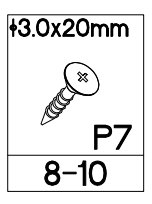
6,4 x 50mm

		
B	E1	O
2	2	1

35

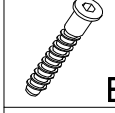


36



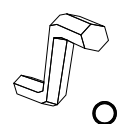
37

6,4 x 50mm



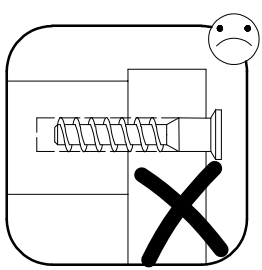
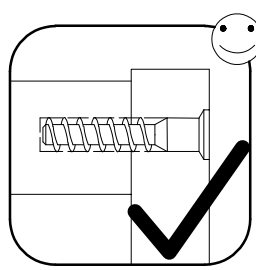
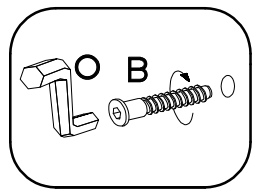
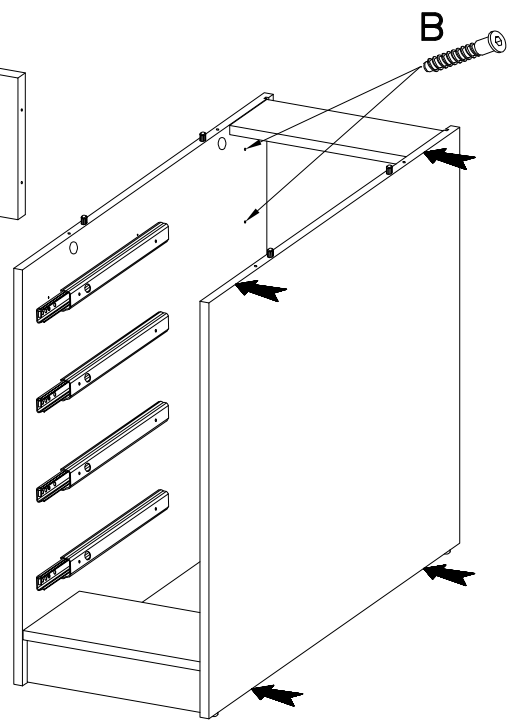
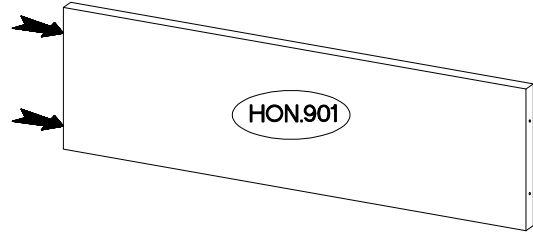
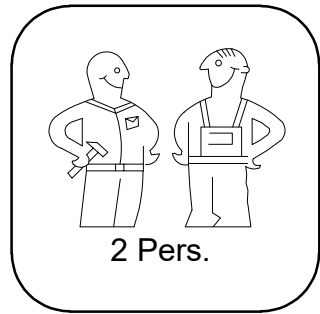
B

2

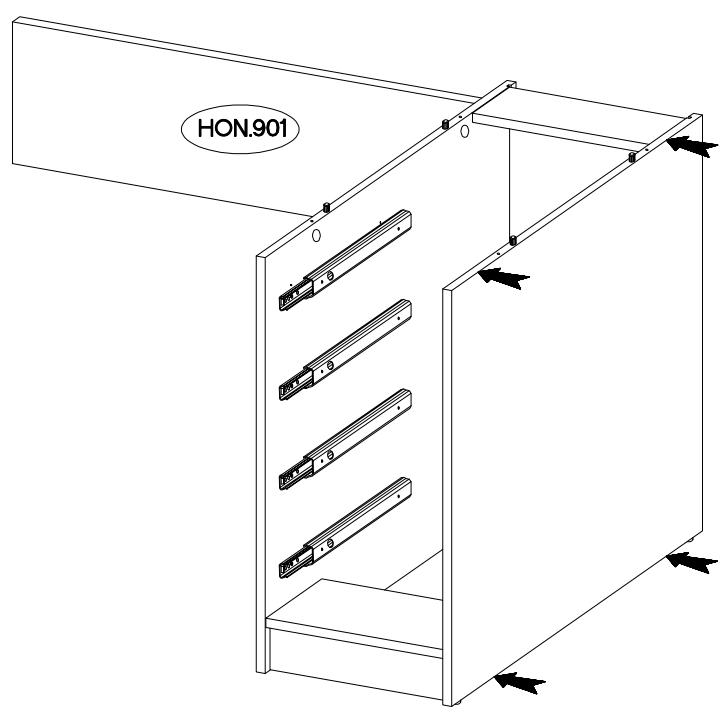
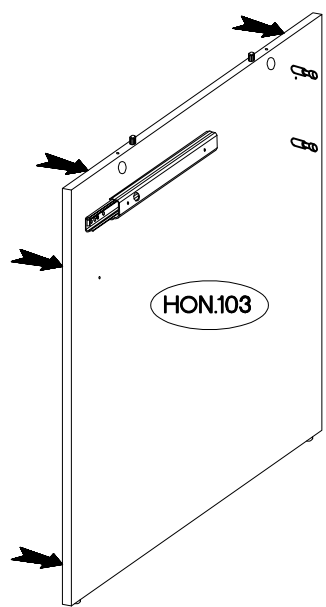
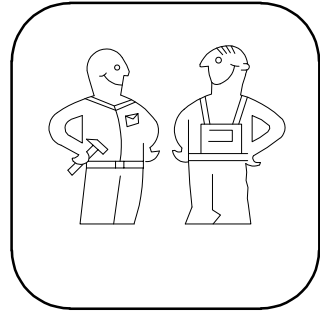
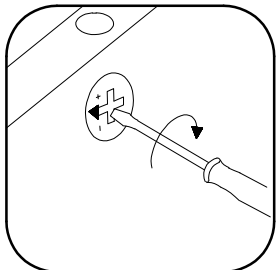
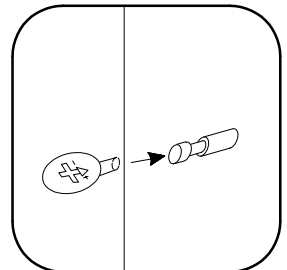


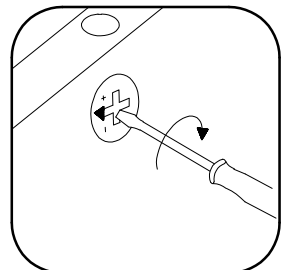
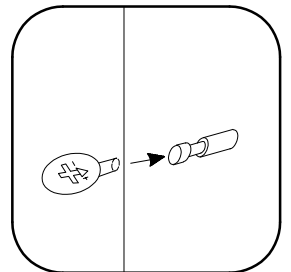
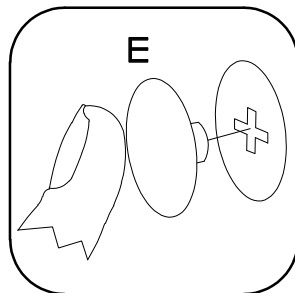
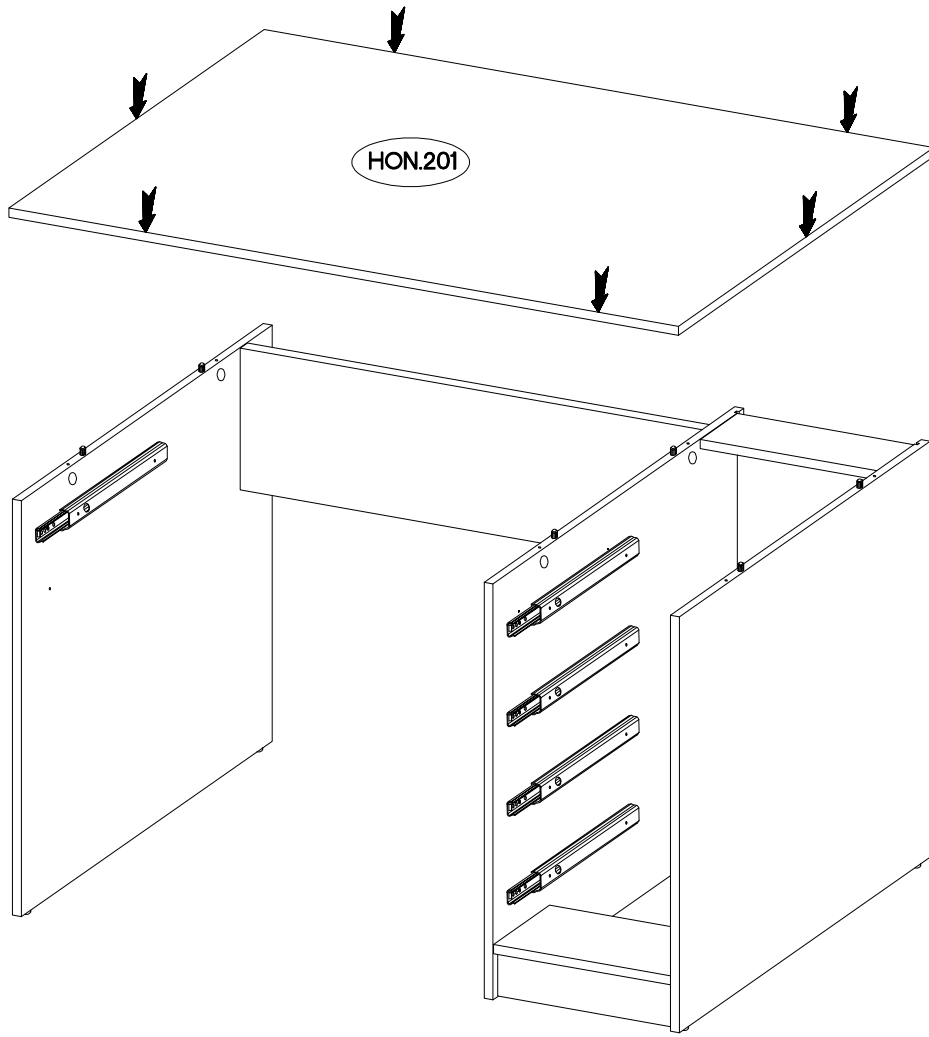
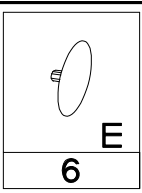
O


1



38





M4x9mm

U1
10

