

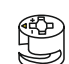
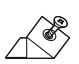

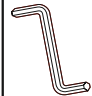





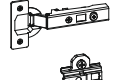

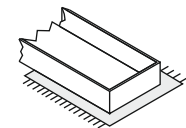
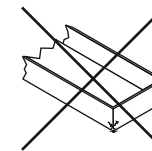


1

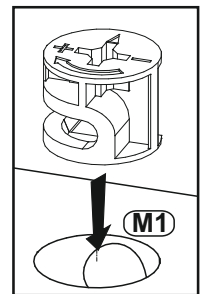
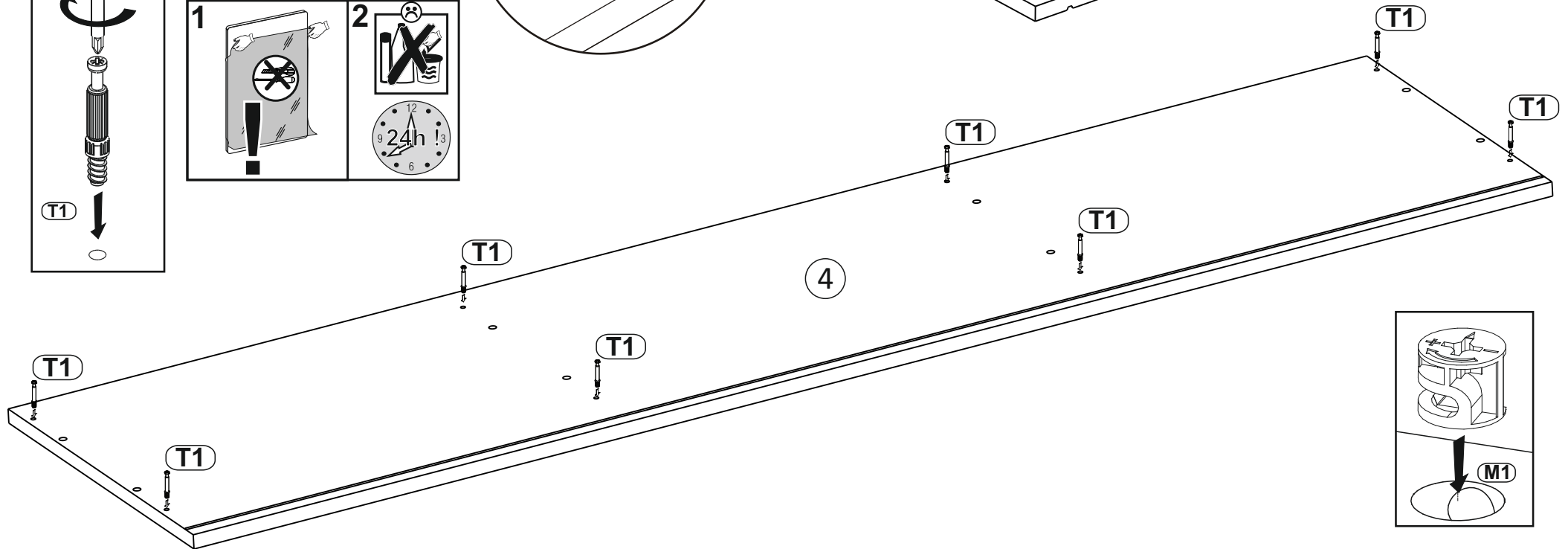
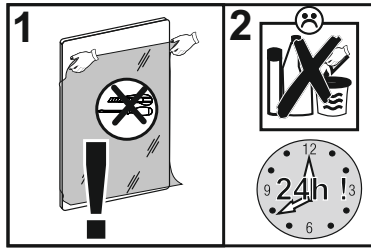
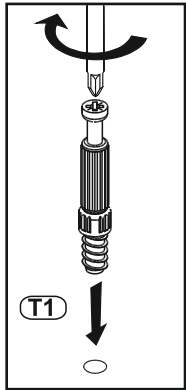
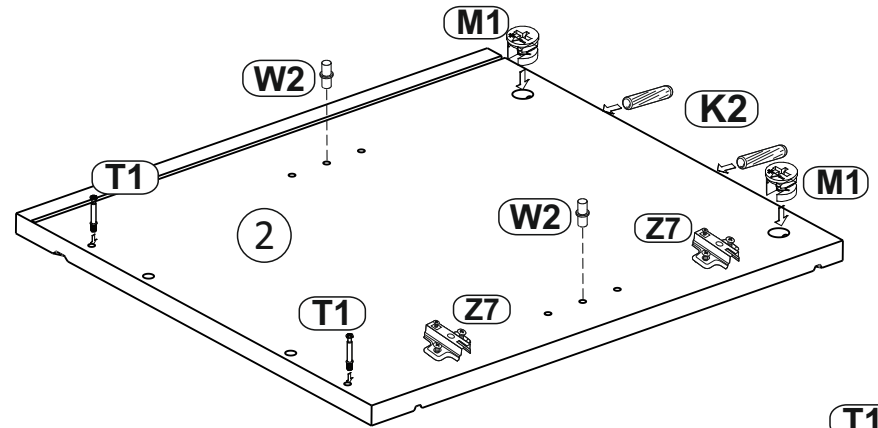
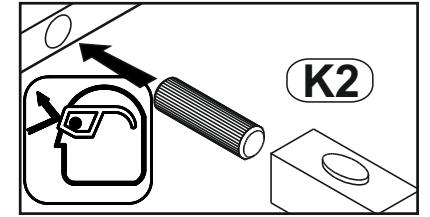
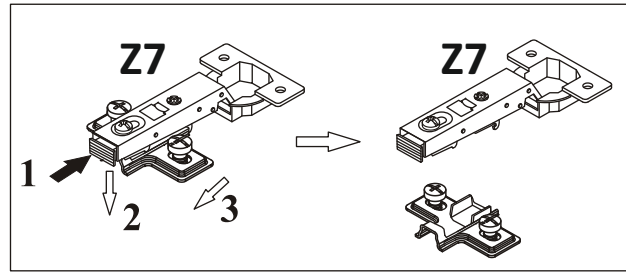
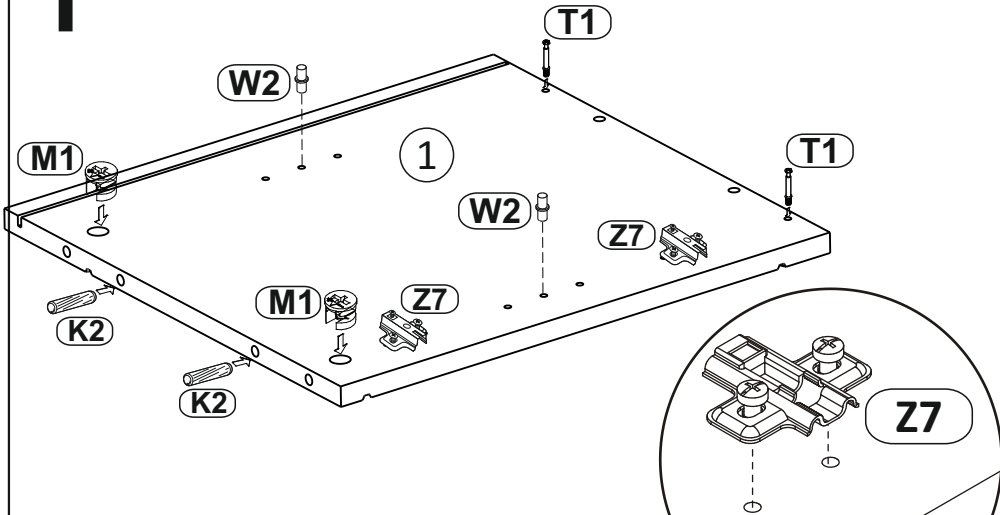
<b>K2</b>  x28	<b>T1</b>  x25	<b>M1</b>  x25	<b>S10</b>  US 3x18 x6	<b>P2</b>  3,5x18 x8	<b>K7</b>  x1	<b>K11</b>  x15	<b>W2</b>  x8	<b>W3</b>  x8	<b>S9</b>  x8	<b>Z2</b>  x8
---	---	---	--	--	--	--	--	---	--	--

2

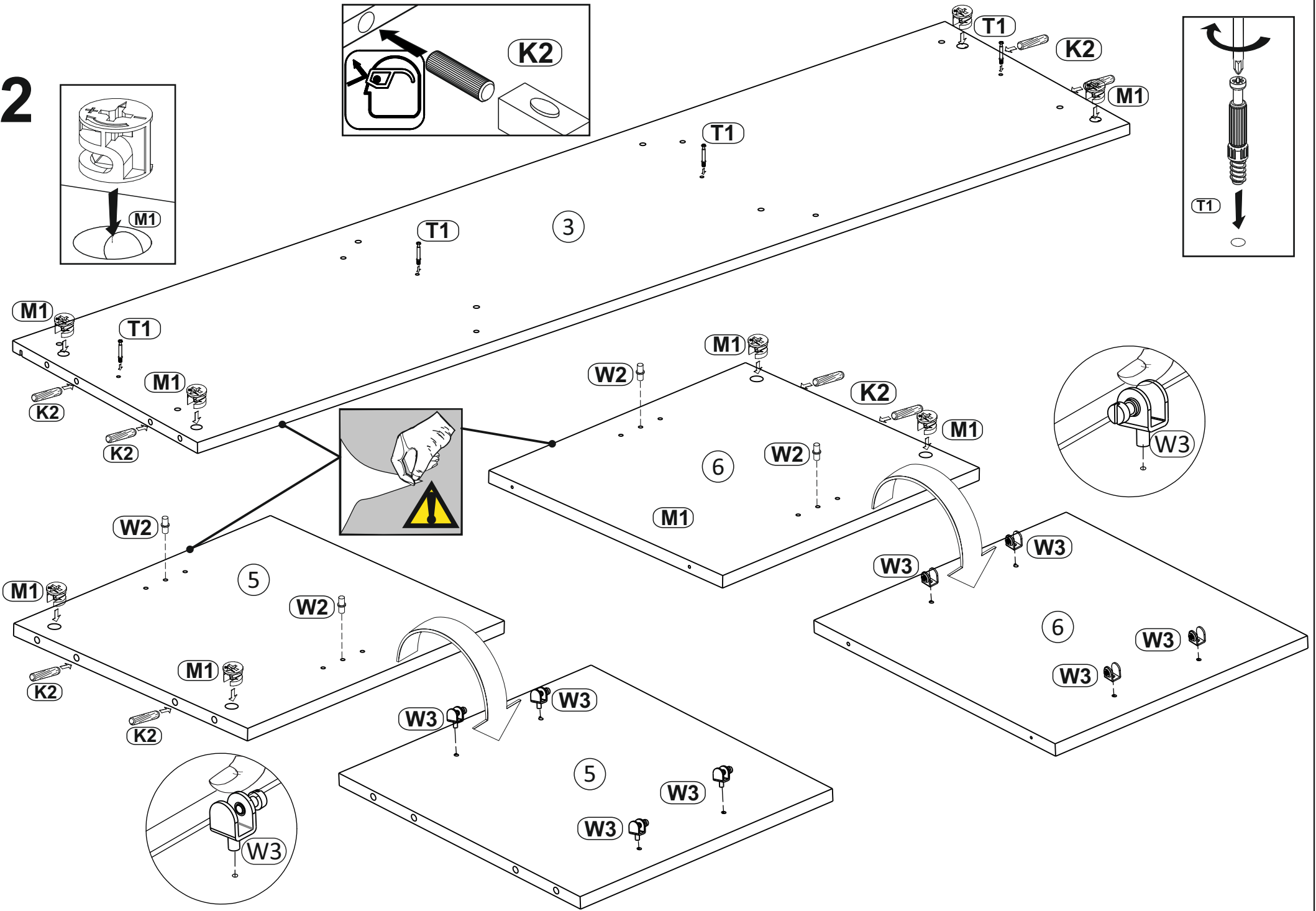
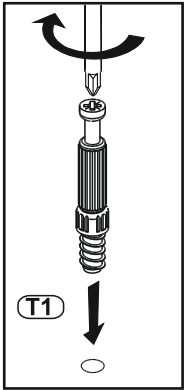
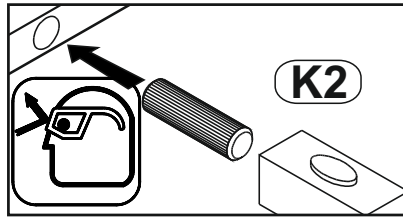
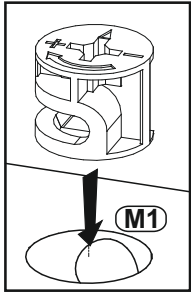
<b>Z7</b>  x4	<b>S3</b>  4x13 x8
--	--



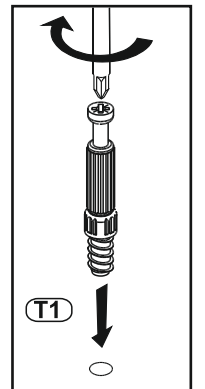
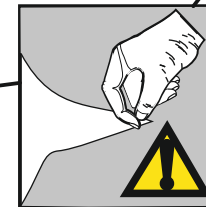
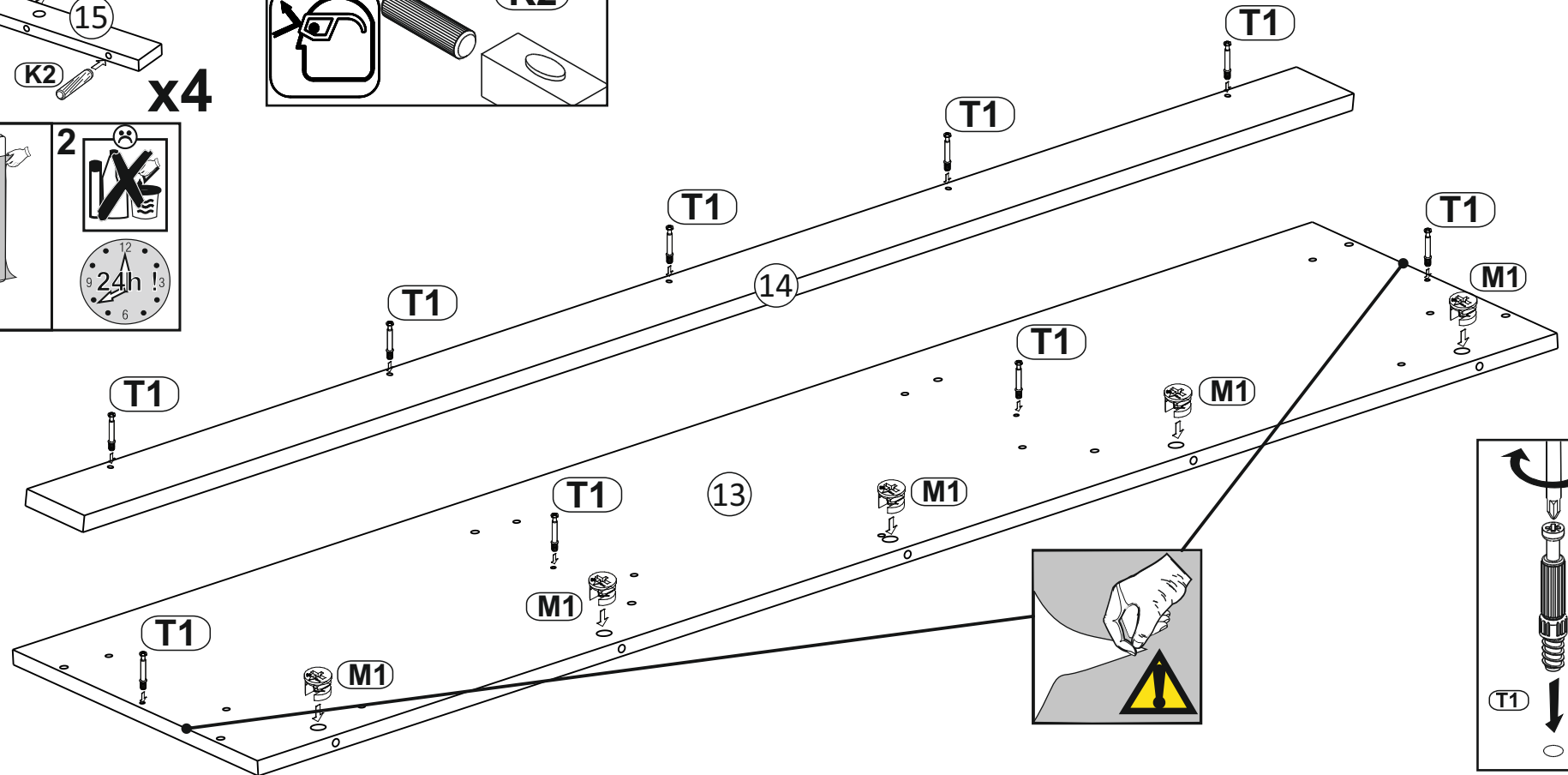
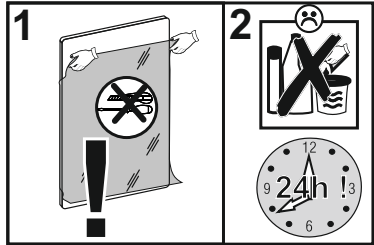
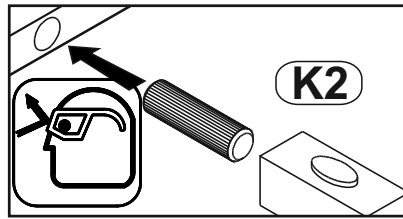
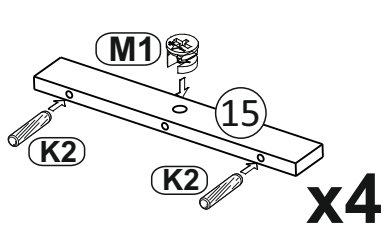
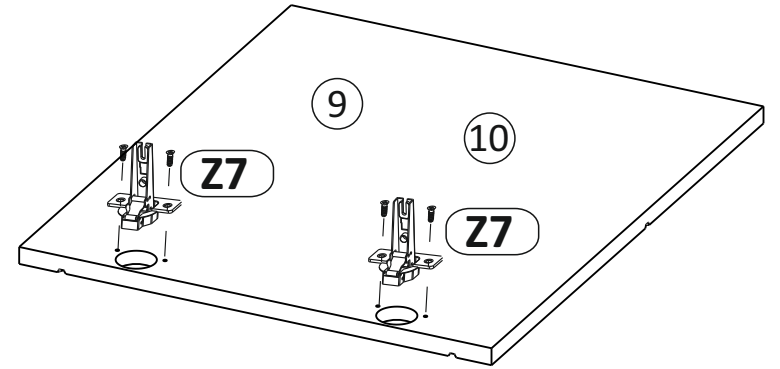
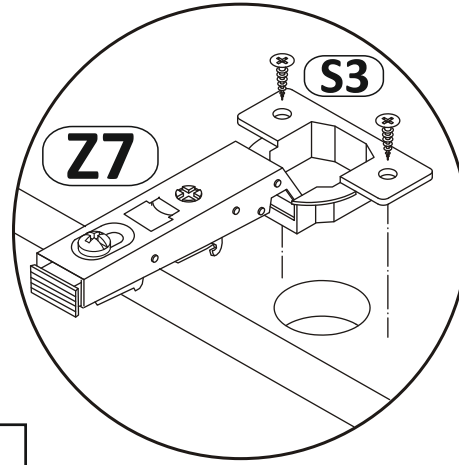
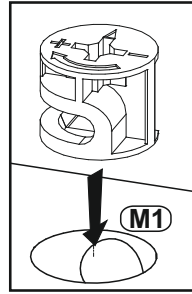
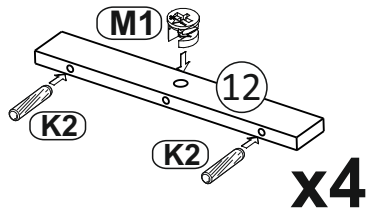
1



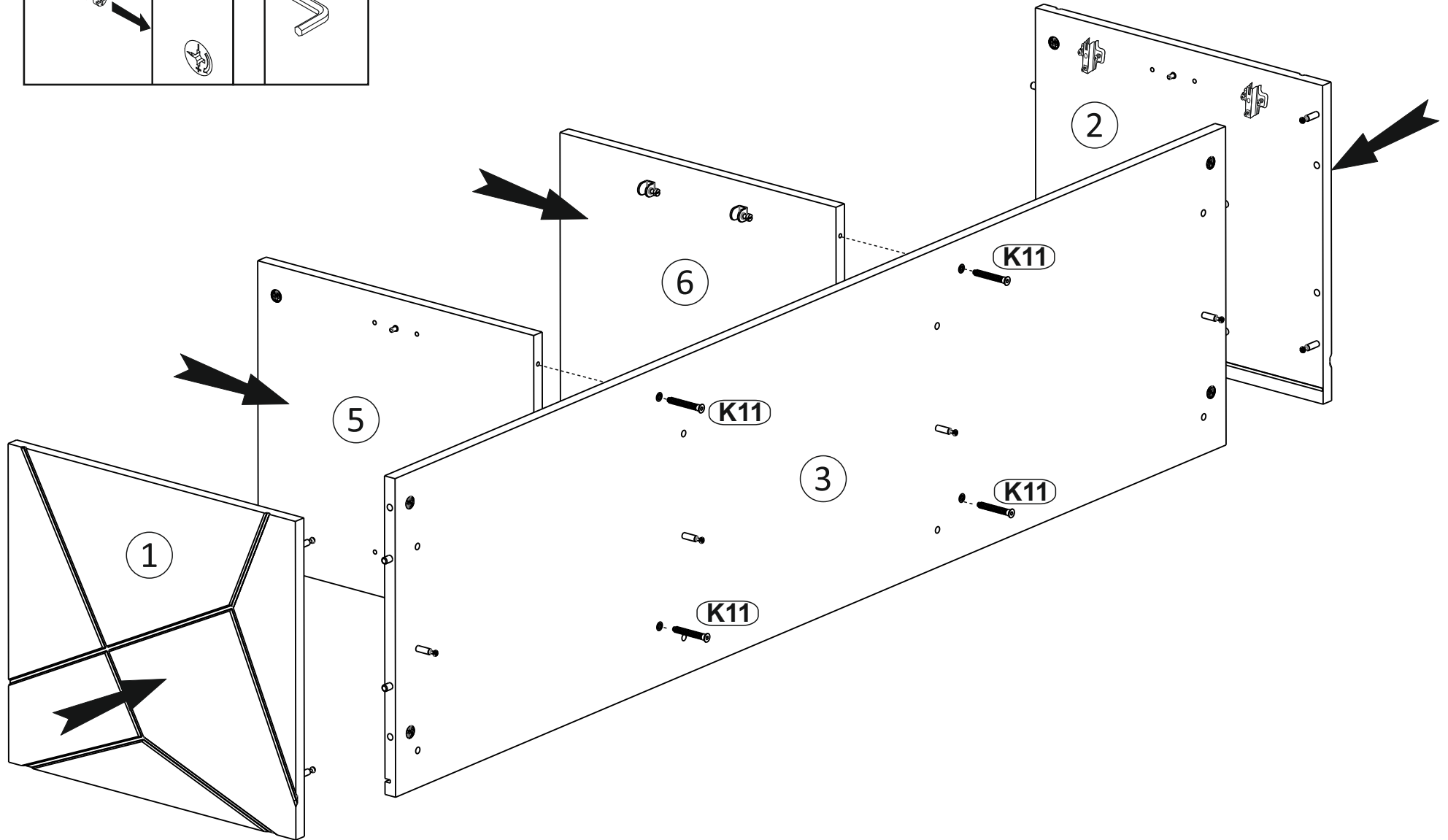
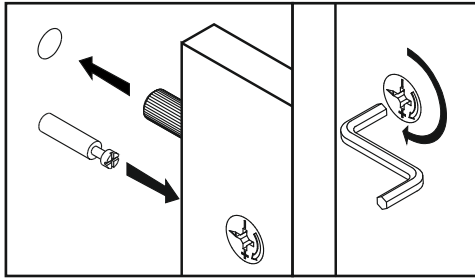
2



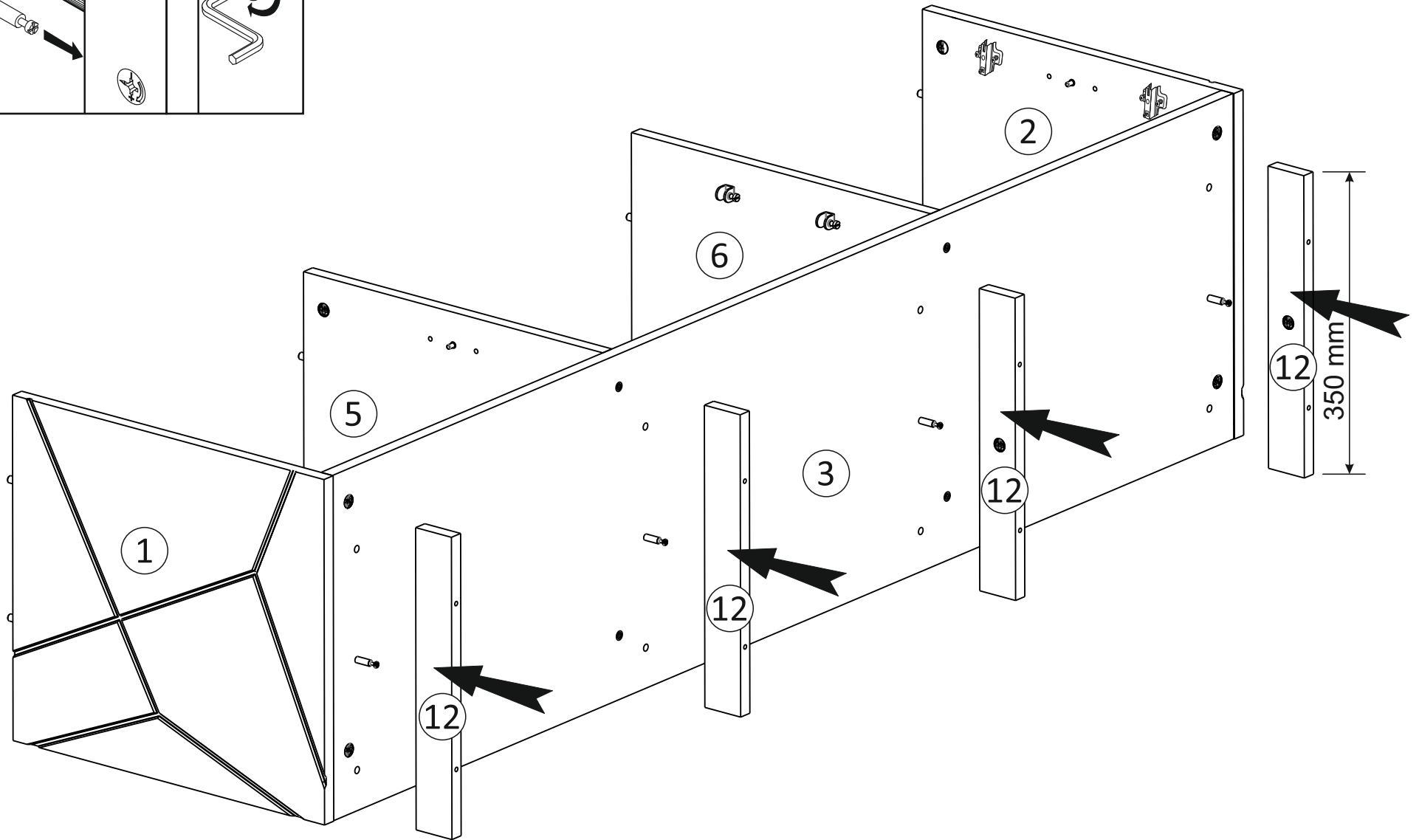
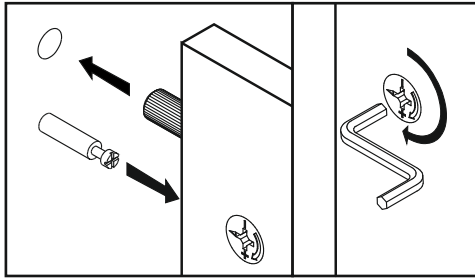
3



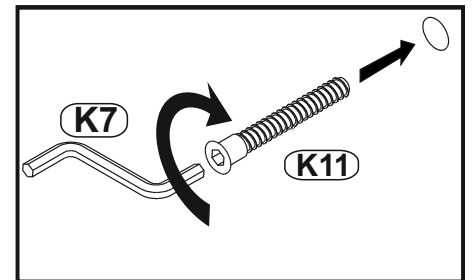
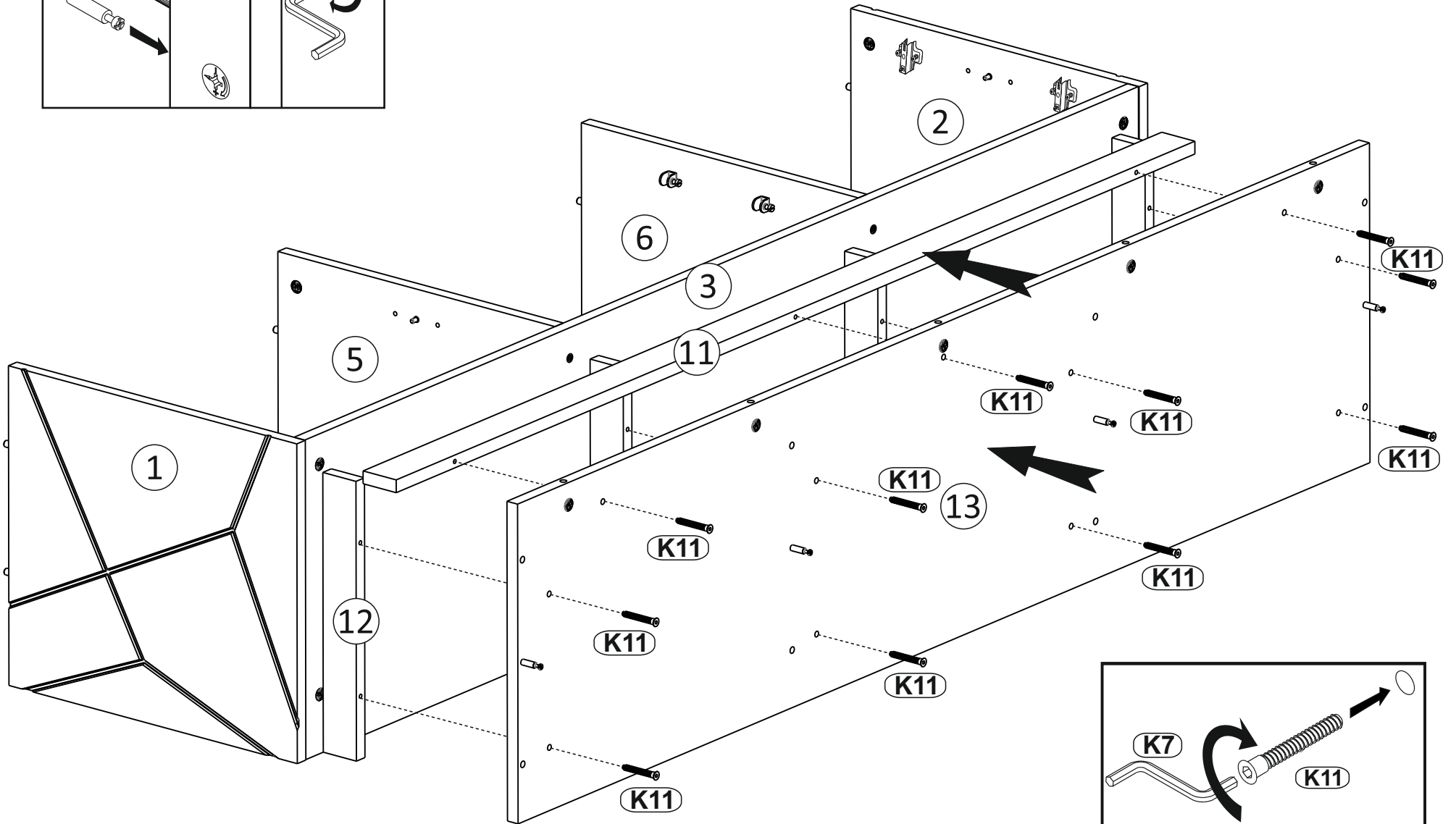
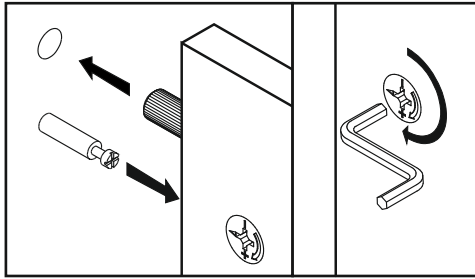
4



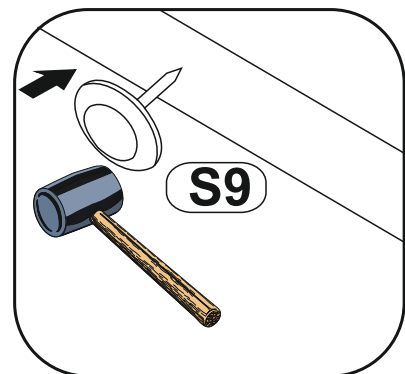
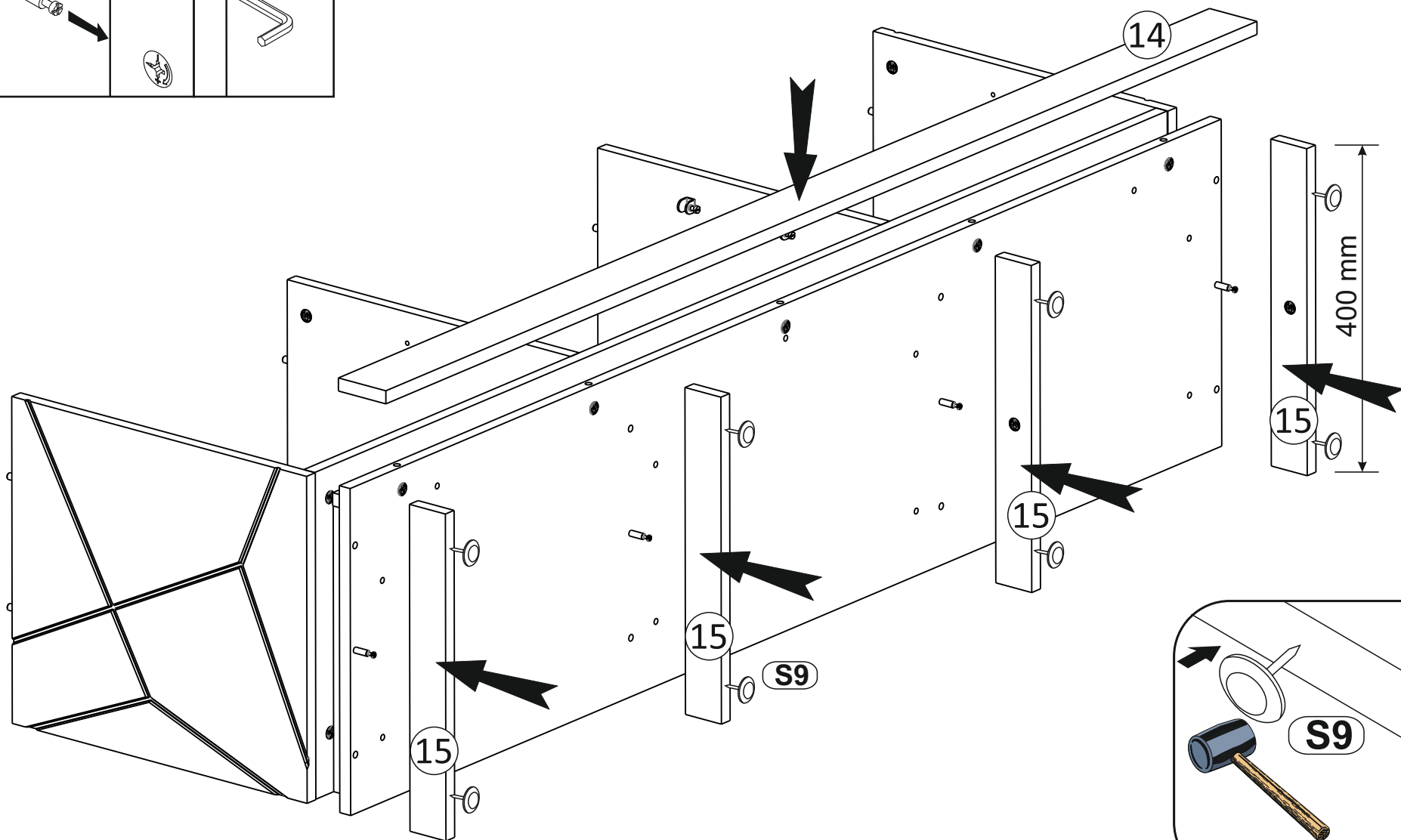
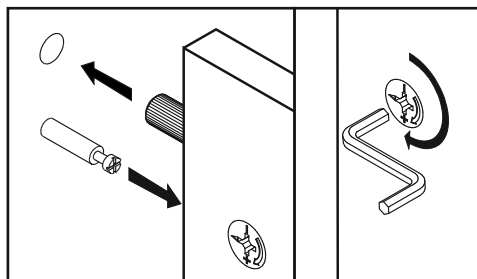
5



6

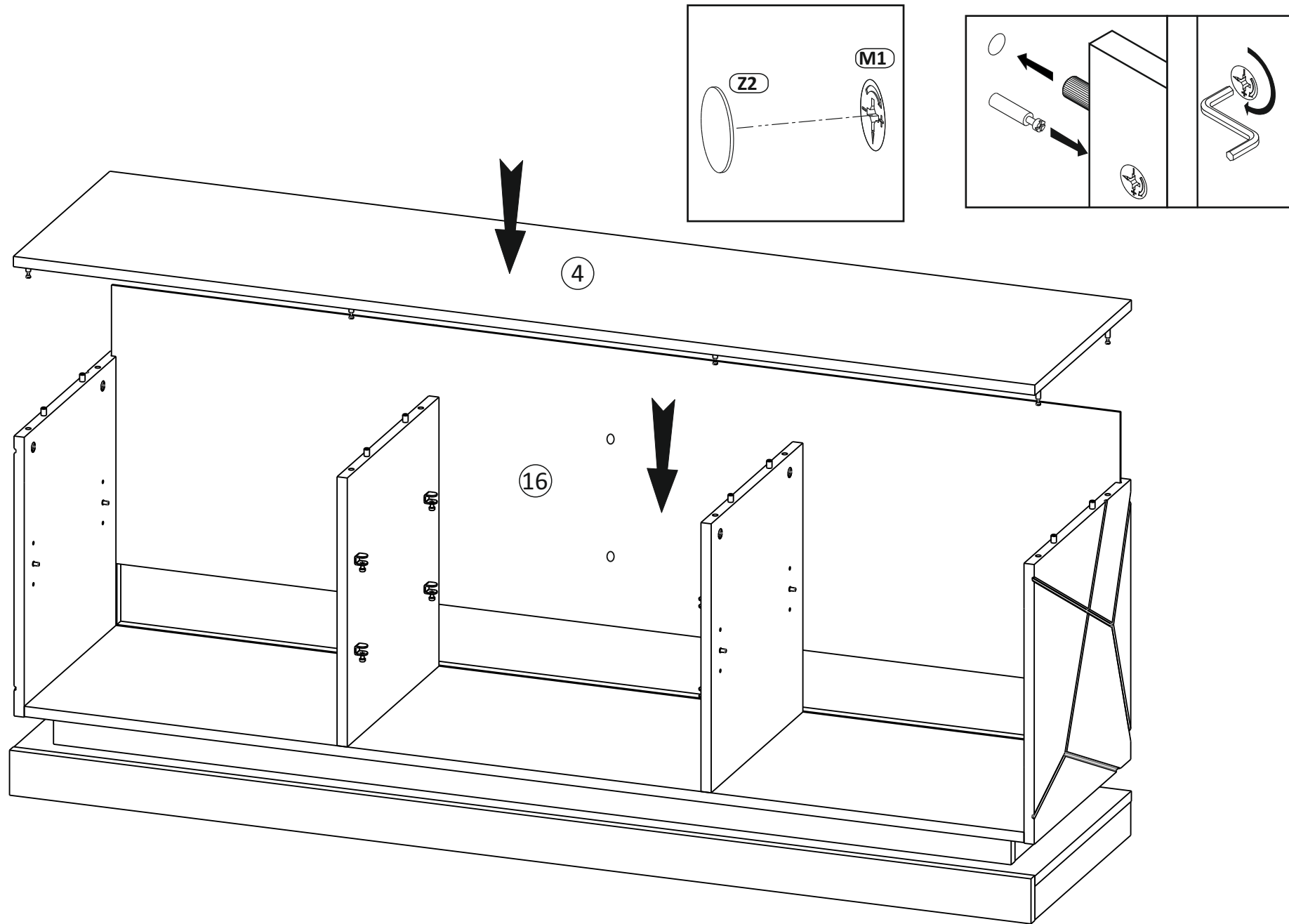


7

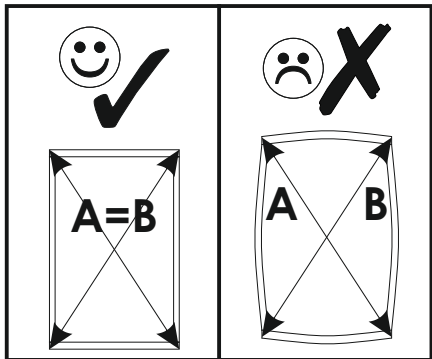
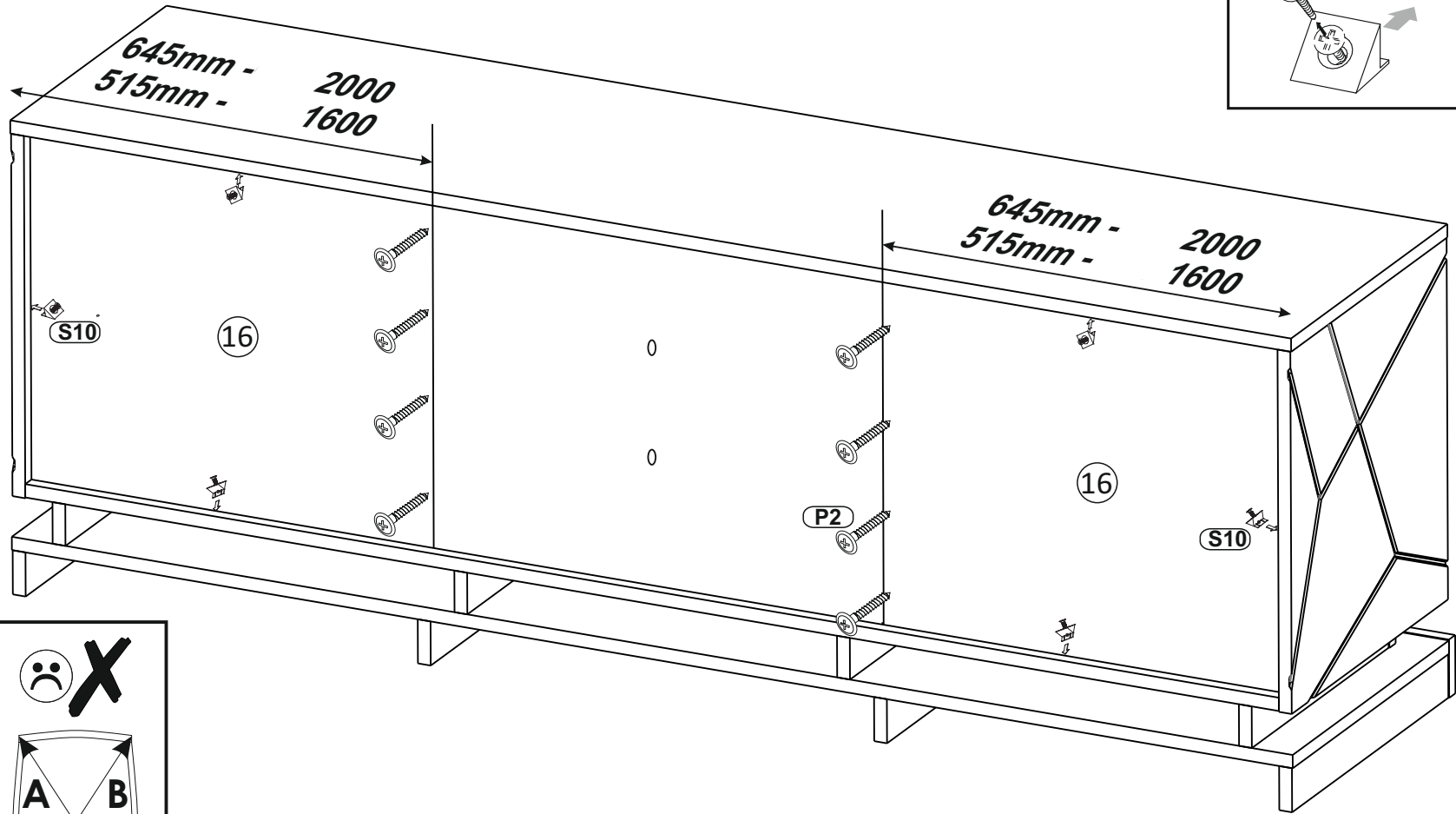
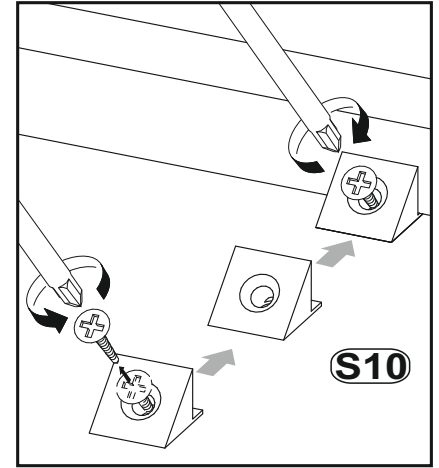




8



9



# 10

