

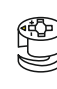


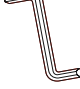



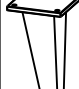



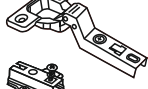



<b>K2</b>  x16	<b>T1</b>  x8	<b>M1</b>  x8	<b>S10</b>  US 3x18 x8	<b>W2</b>  x4	<b>K7</b>  x1	<b>K11</b>  x8
--	--	--	--	--	--	---

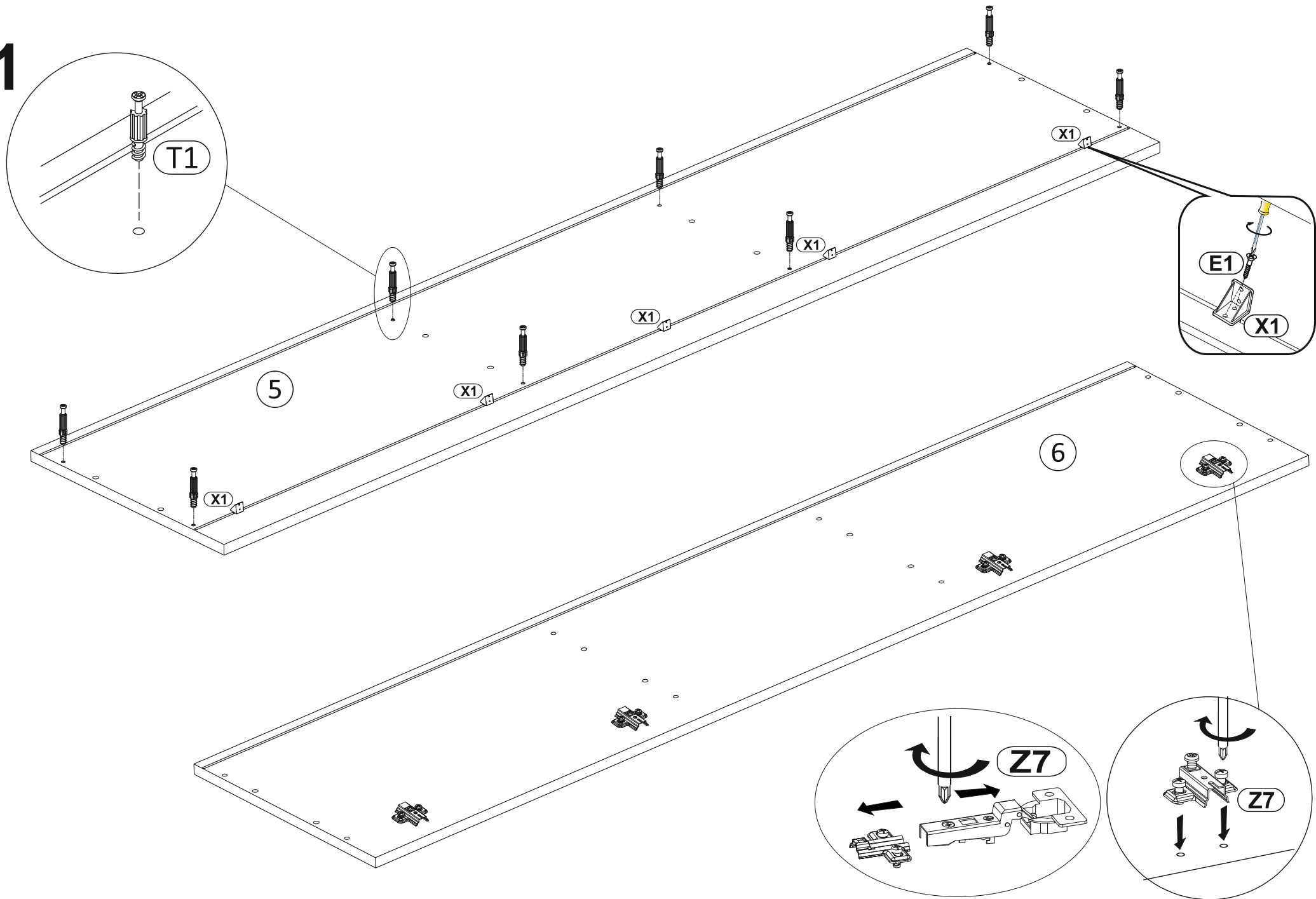
<b>X1</b>  x5	<b>E1</b>  UP 3,5x13 x20
--	---

<b>ST1</b>  x6	<b>P2</b>  3,5x18 x24
---	---

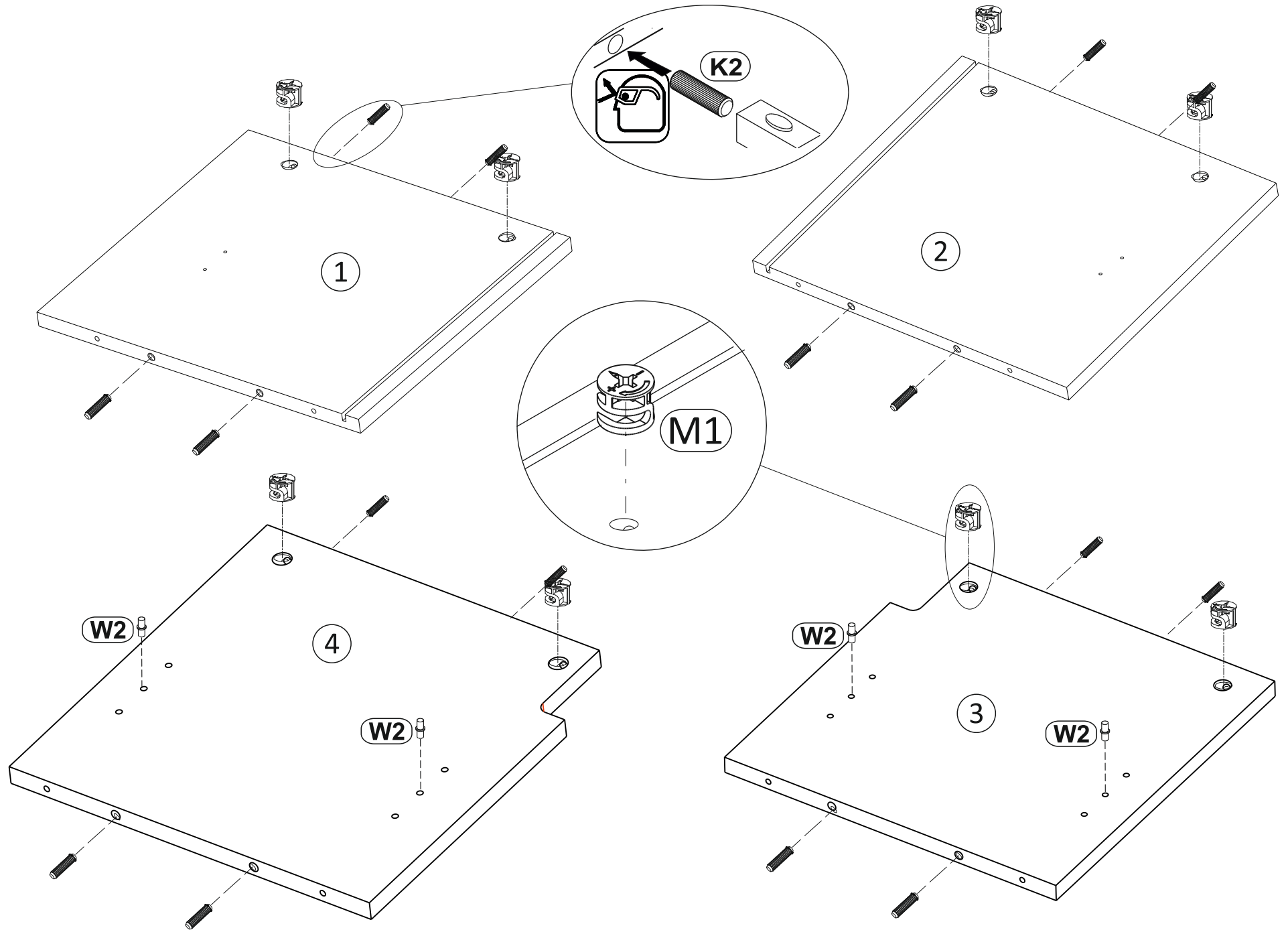
<b>R9</b>  x2	<b>S1</b>  3,5x13 x8
--	--

<b>Z7</b>  x4	<b>S3</b>  US 4x13 x8
--	---

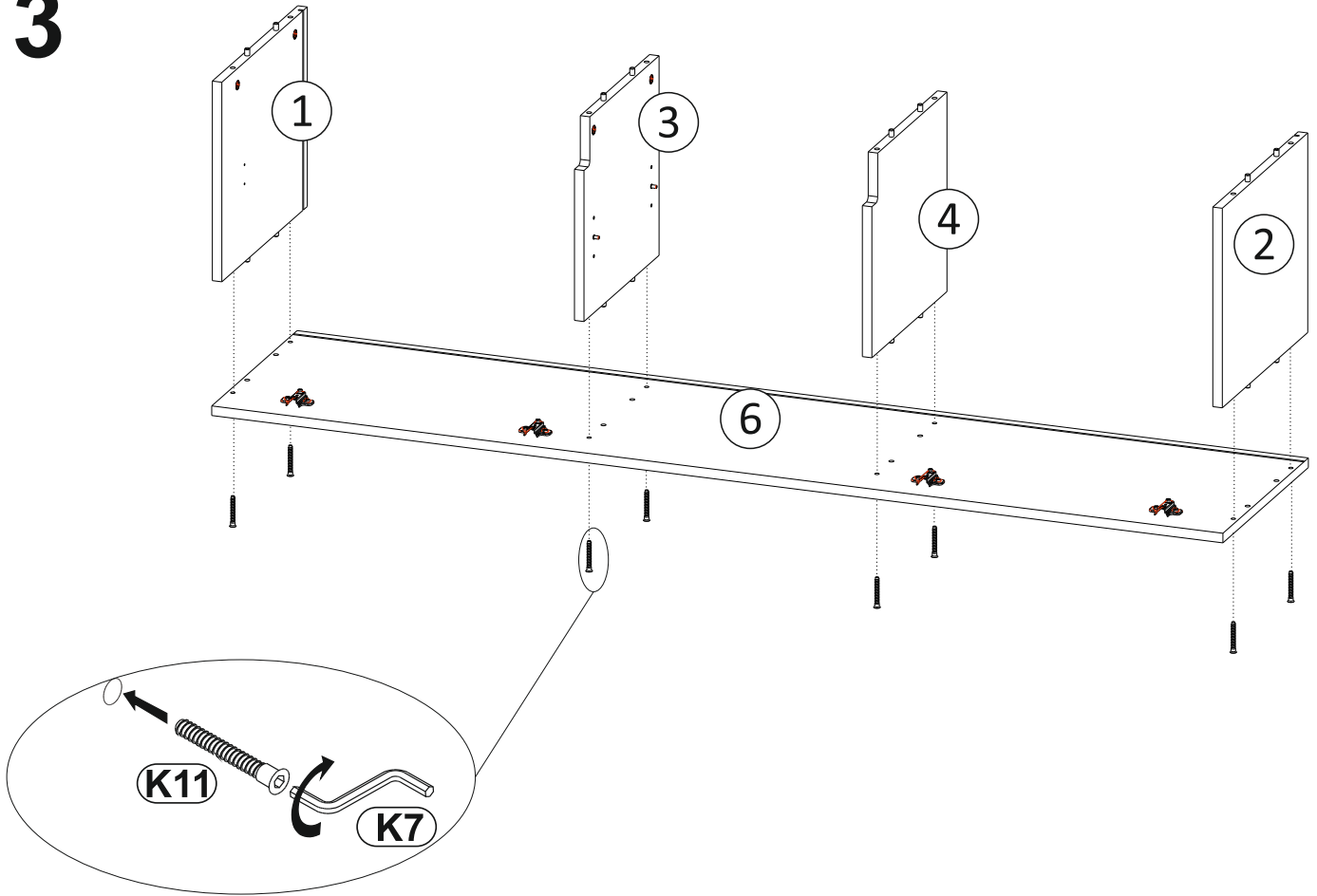
1



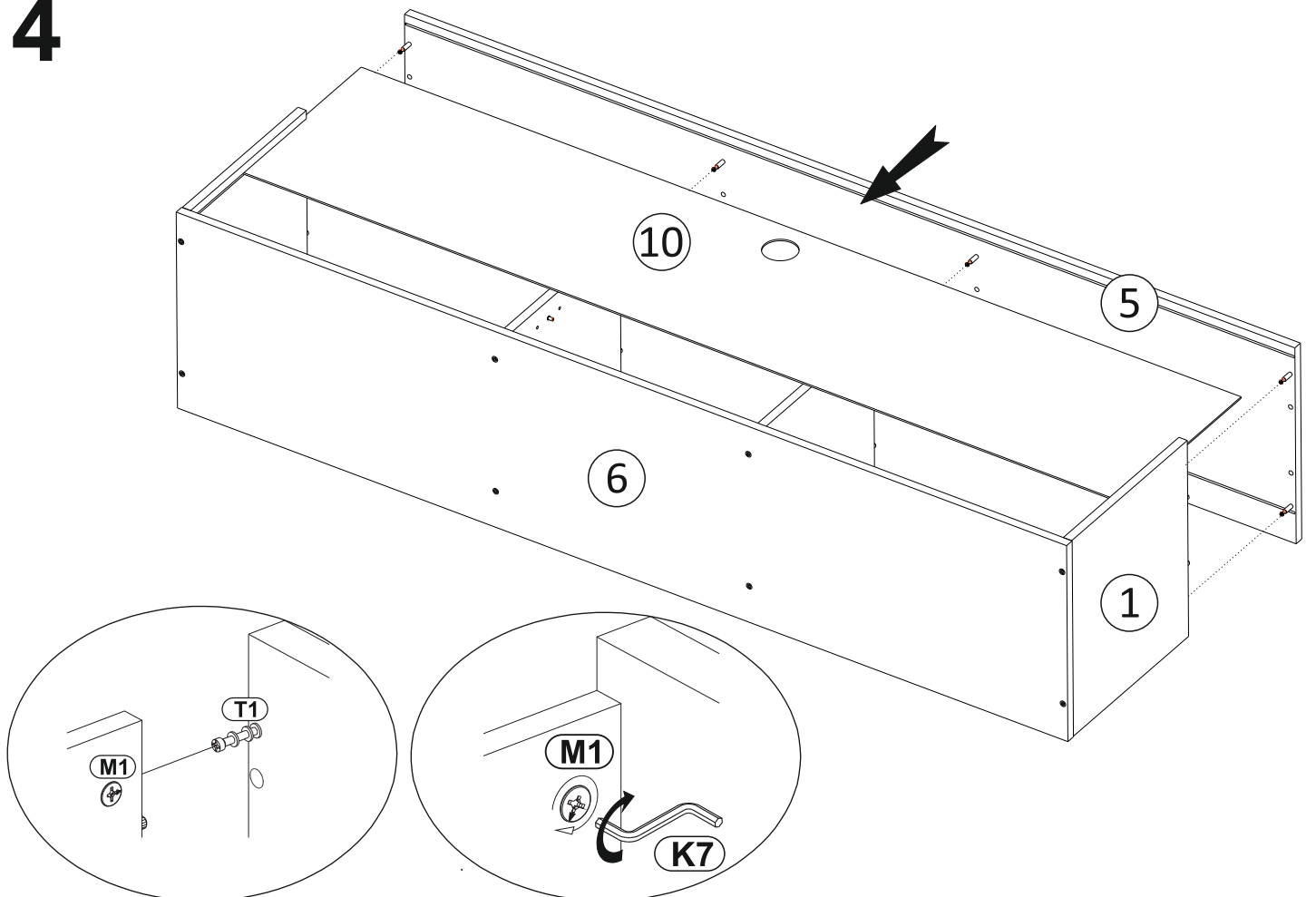
2



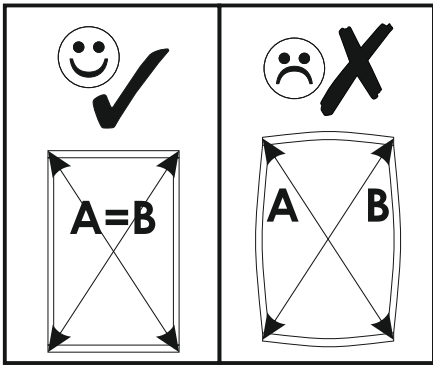
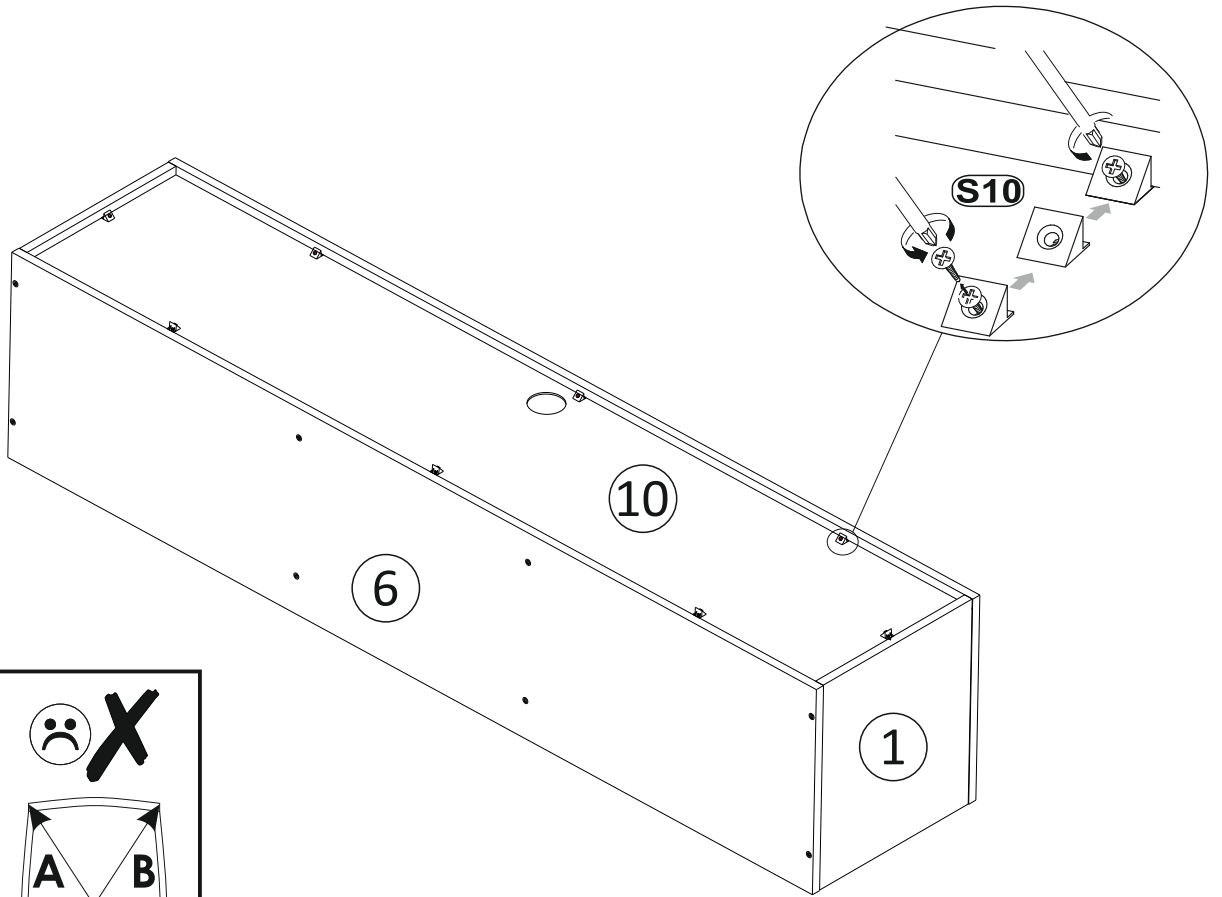
# 3



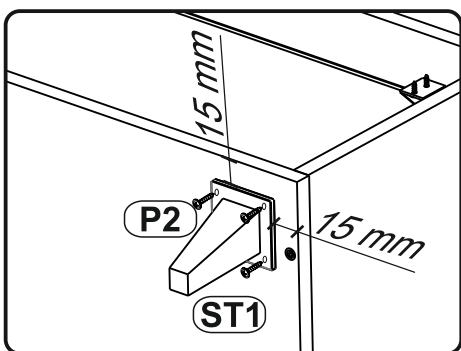
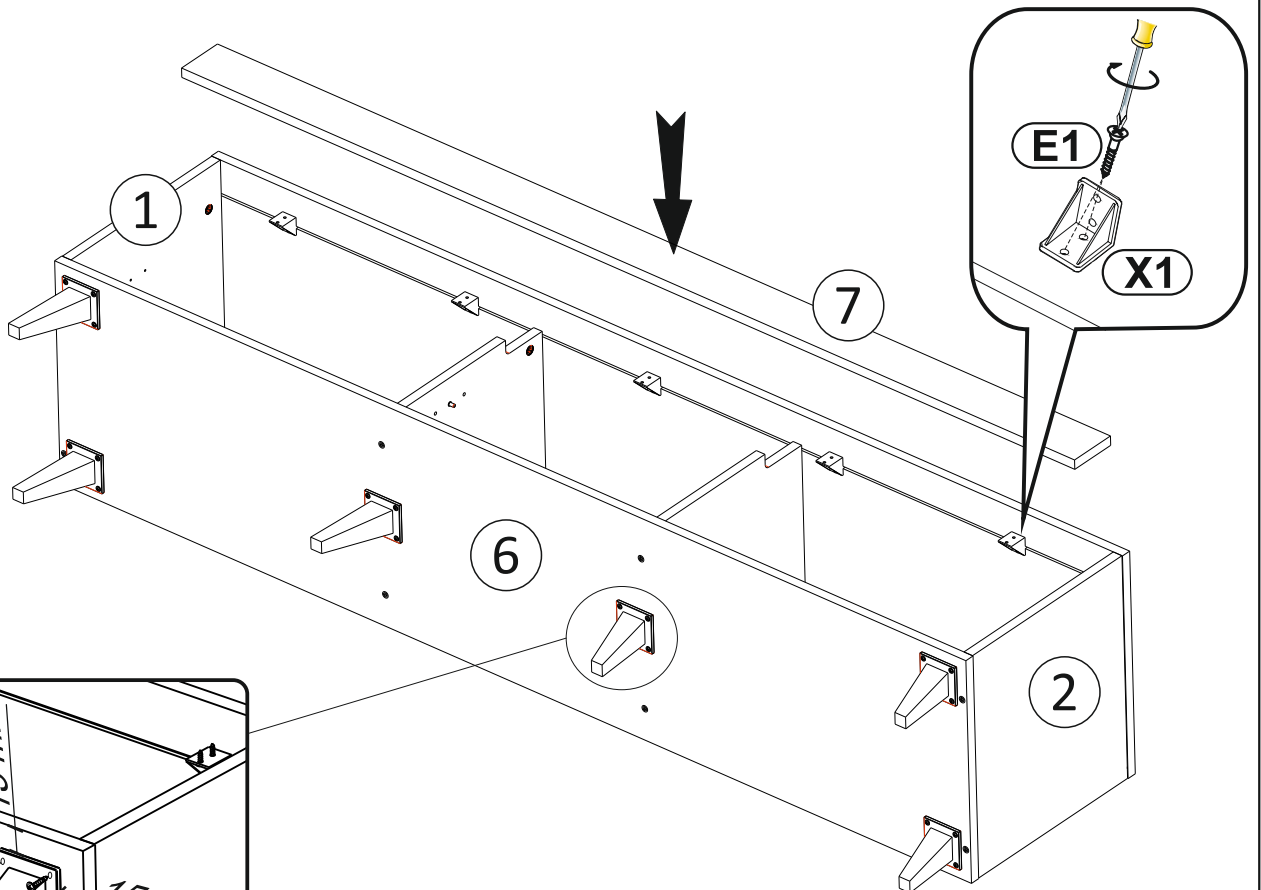
# 4



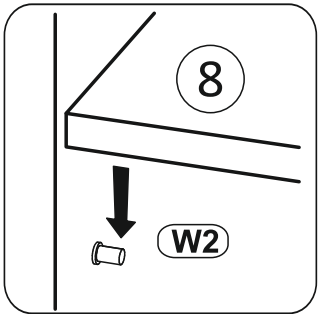
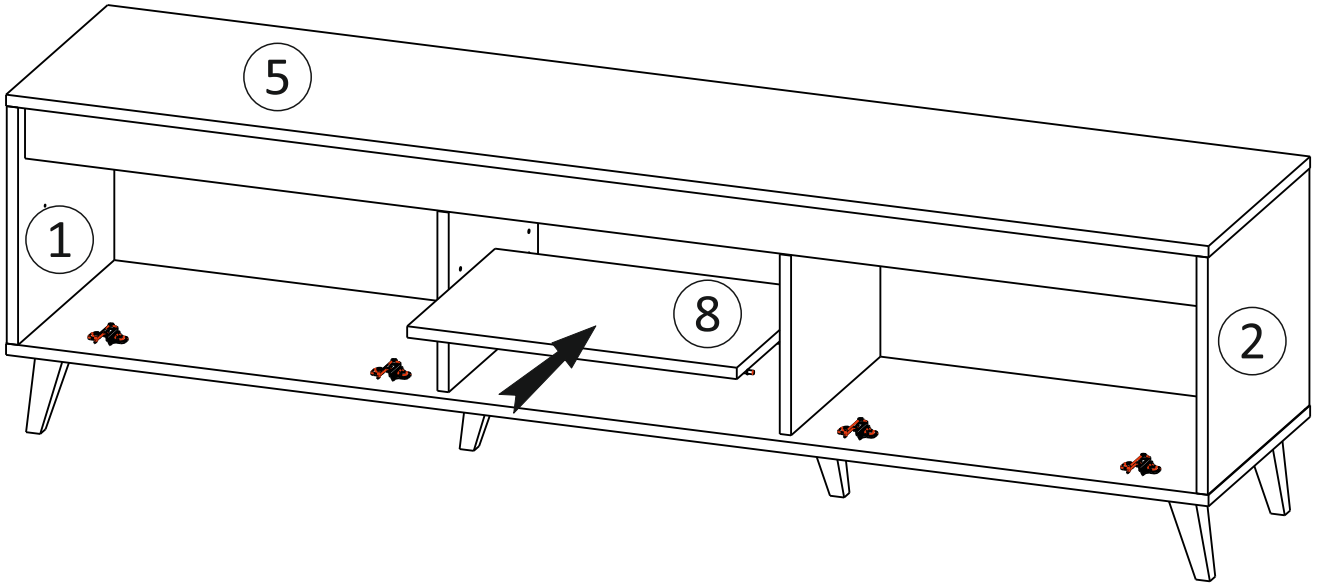
# 5



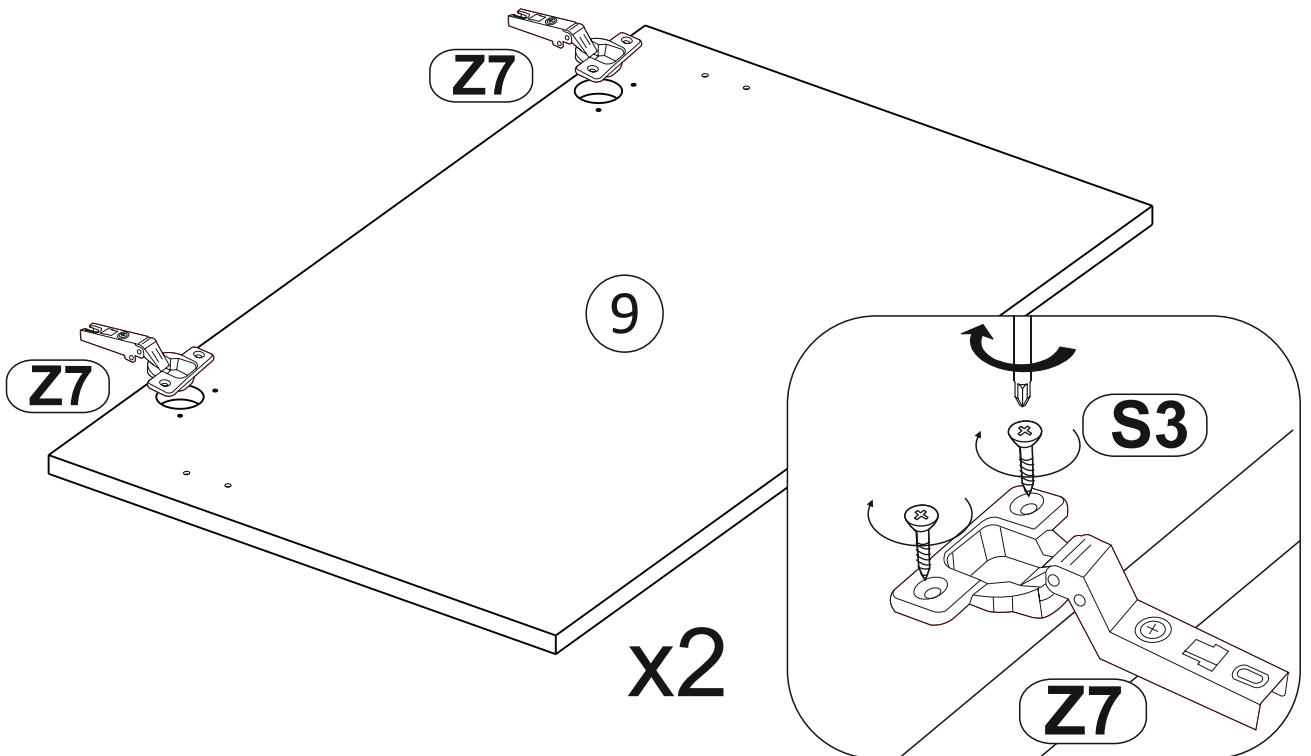
# 6



7



8



9

