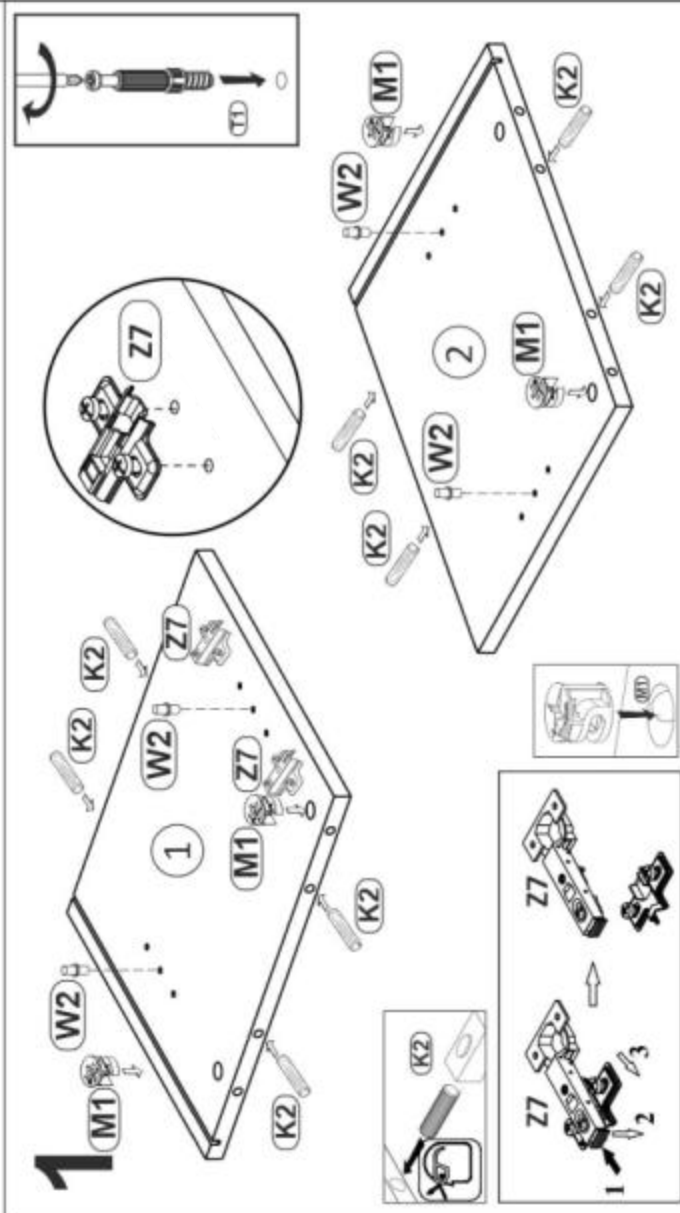
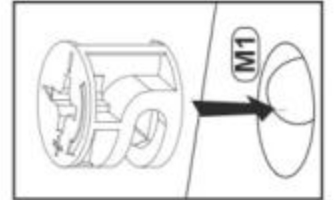
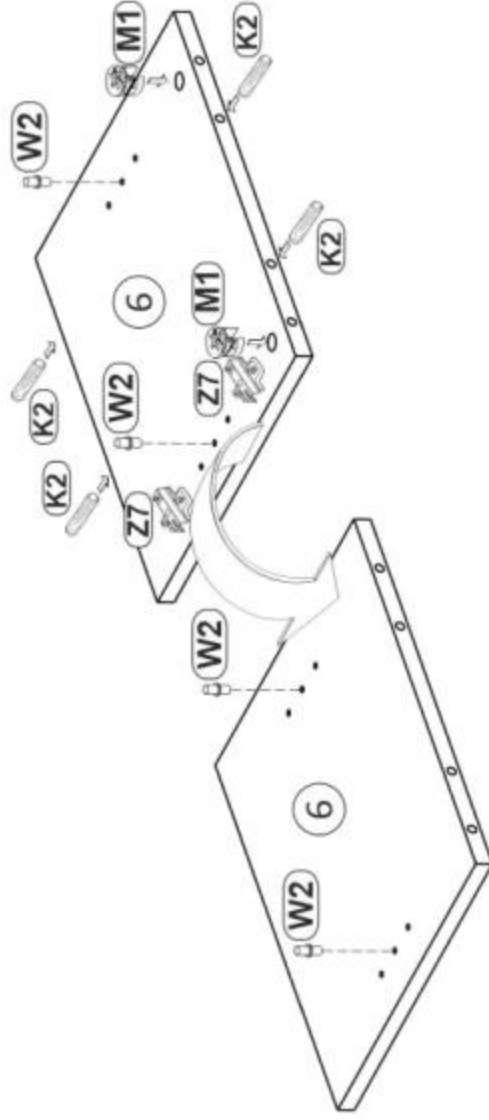
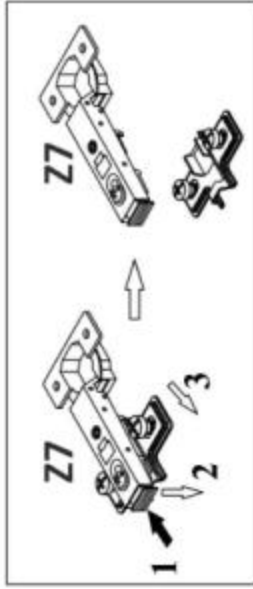
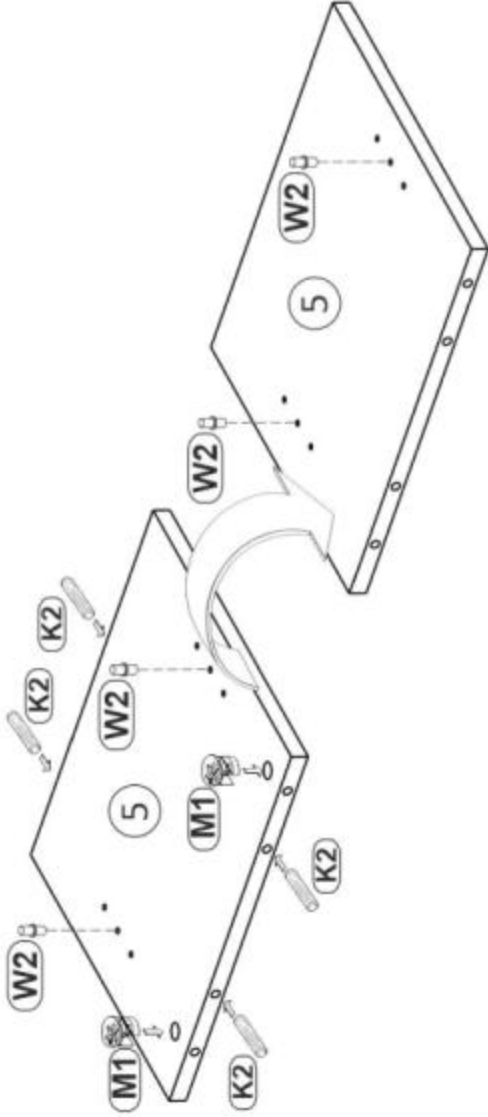
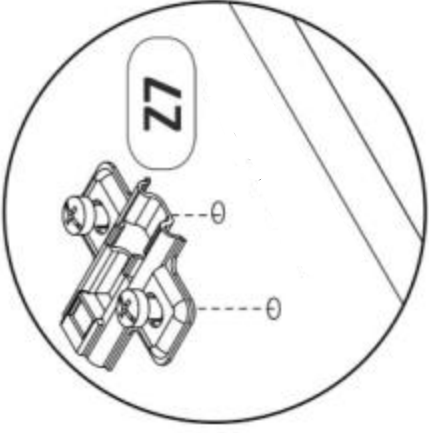
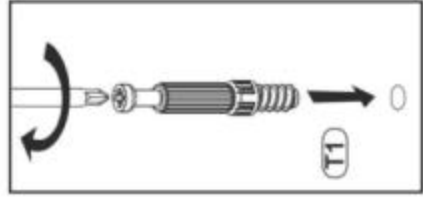


1	(K2)	x16	(T1)	x8	(M1)	x8	(S10)	US 3x18	x8	(P2)	3,5x18	x6	(K7)	x1	(K11)	x8	(W2)	x12	(Z2)	x8
2	(Z7)	x4	(S3)	4x13	x8	(ST1)	x6	(P3)	3,5x18	x24	(B5)	x1								
3												(S1)	x6							
4																				

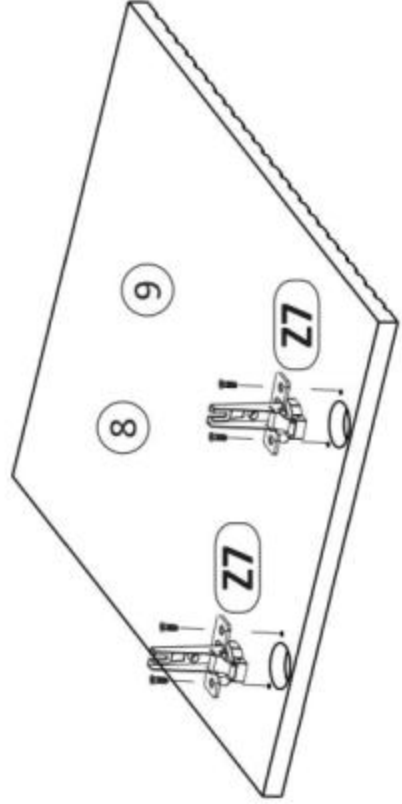
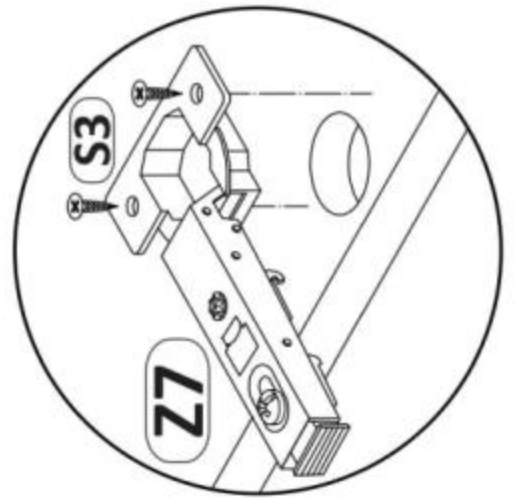
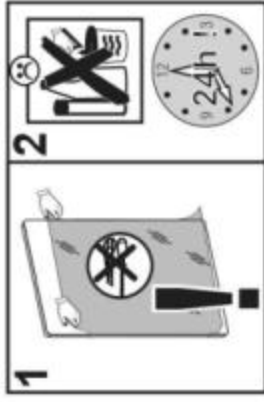
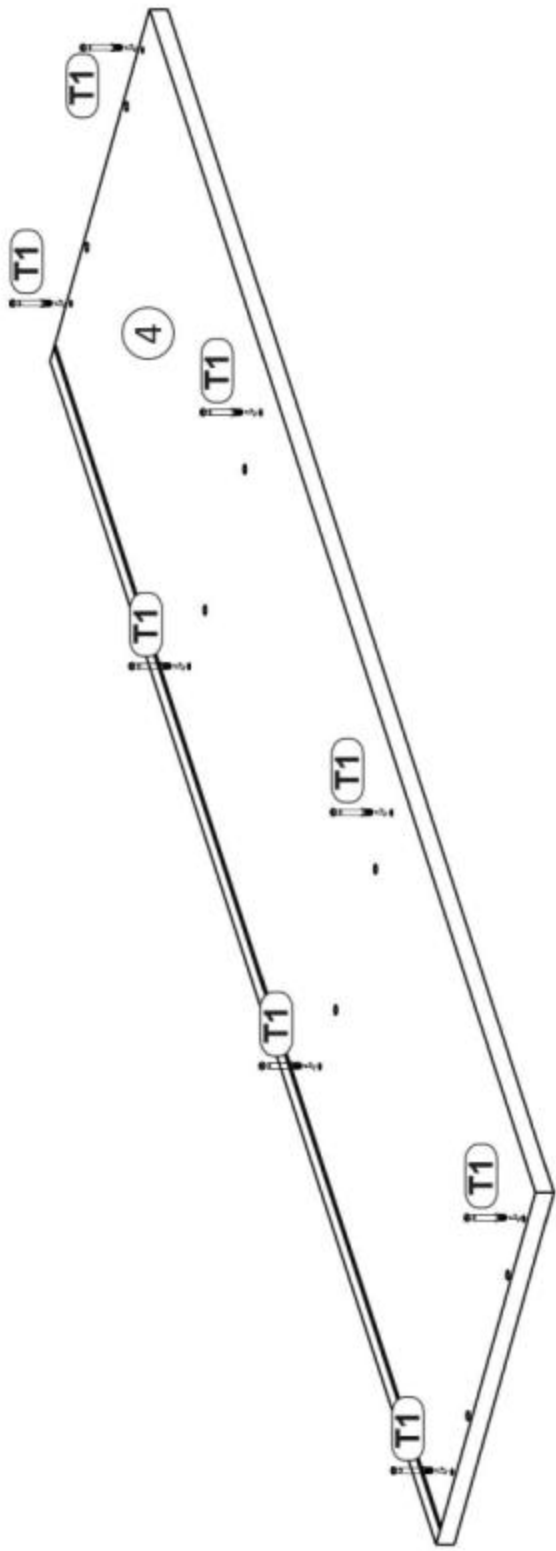


2

2/7

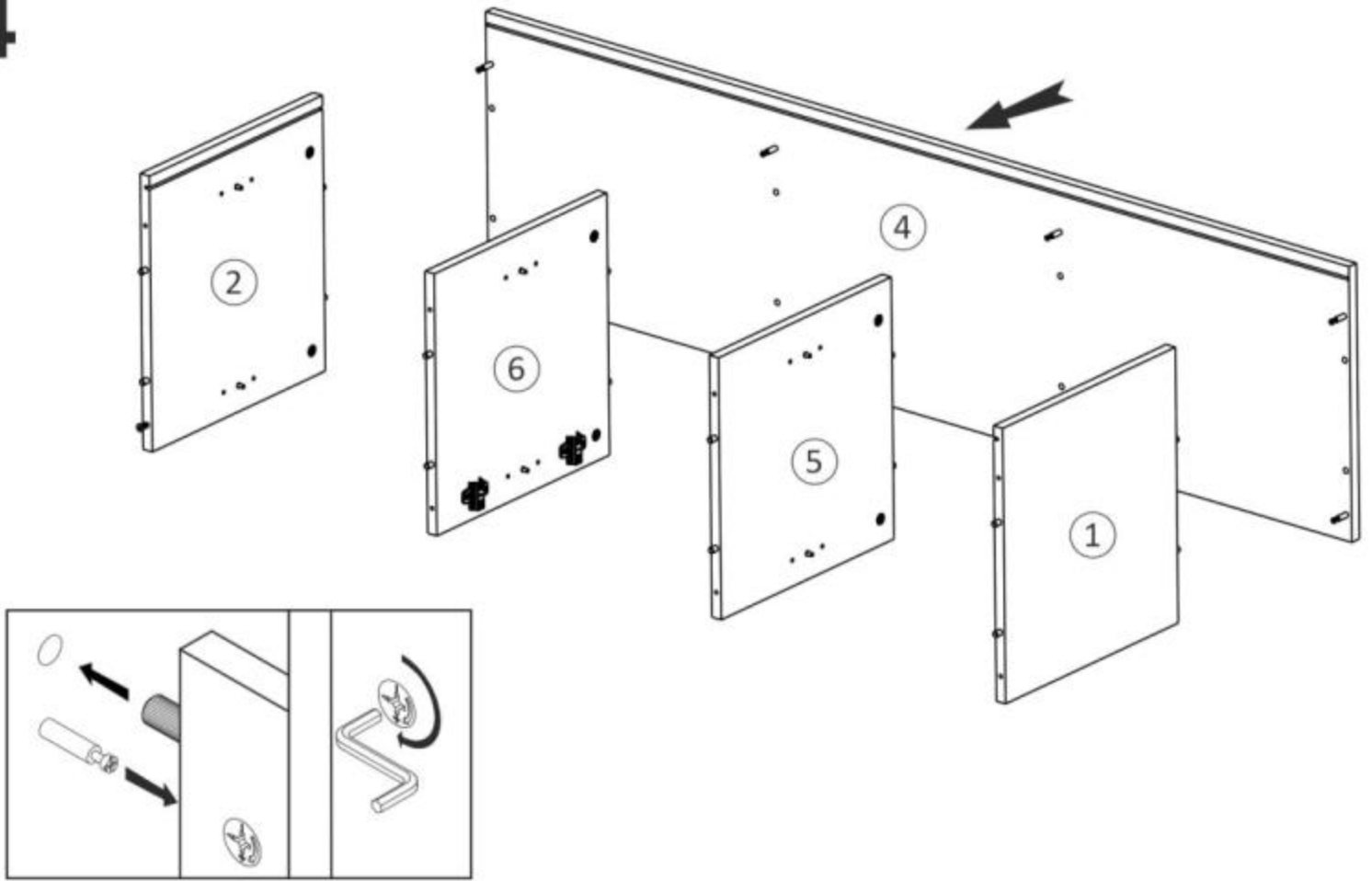


3

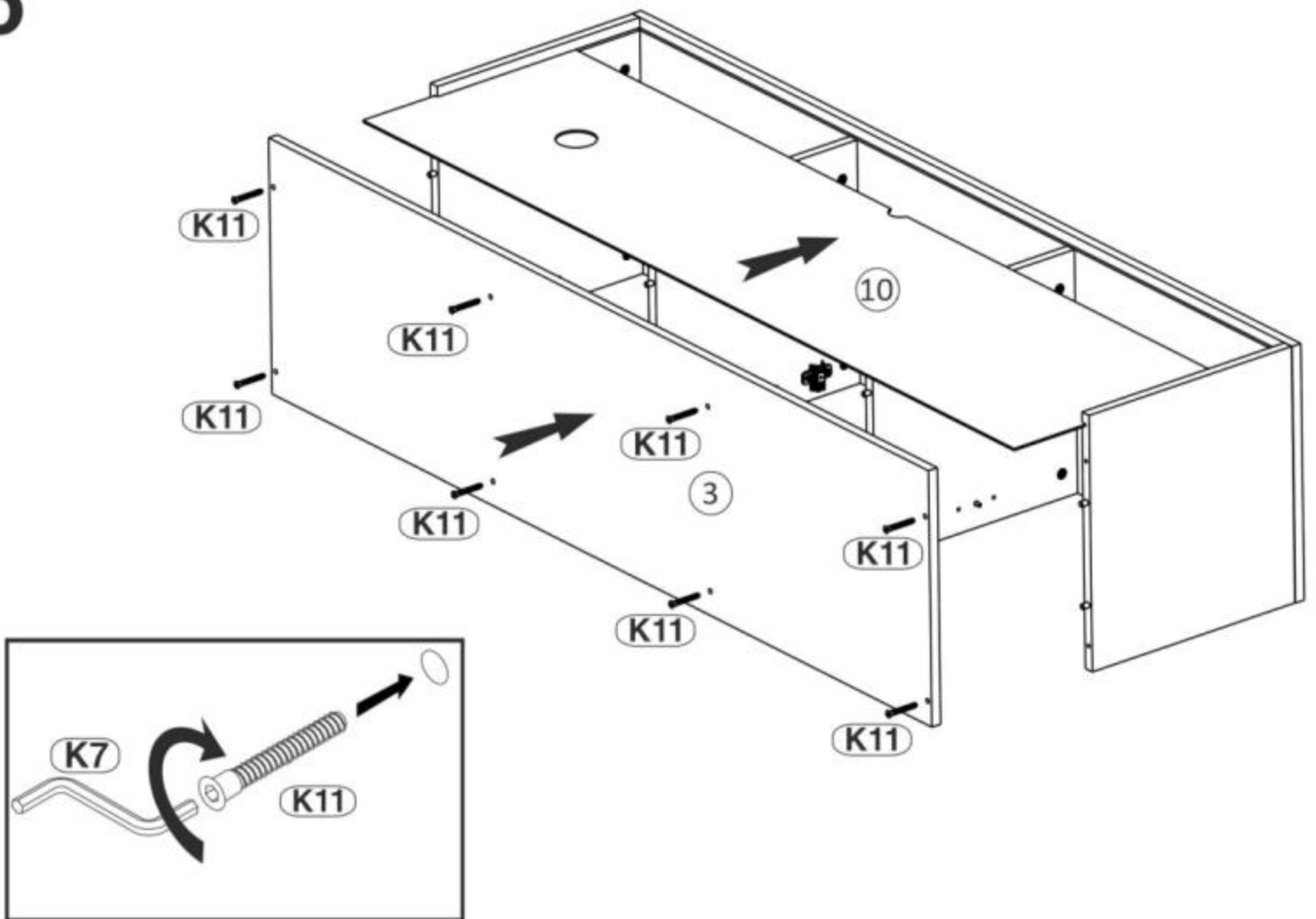


4/7

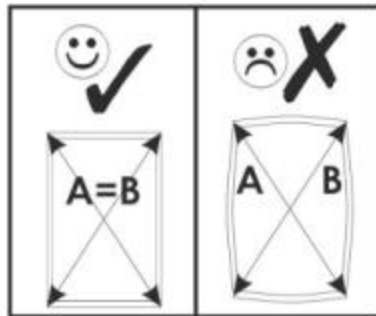
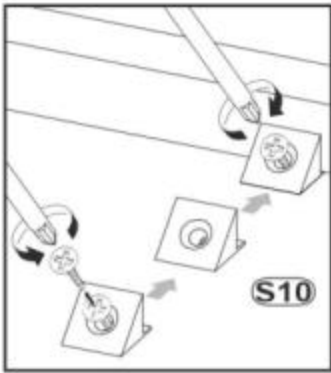
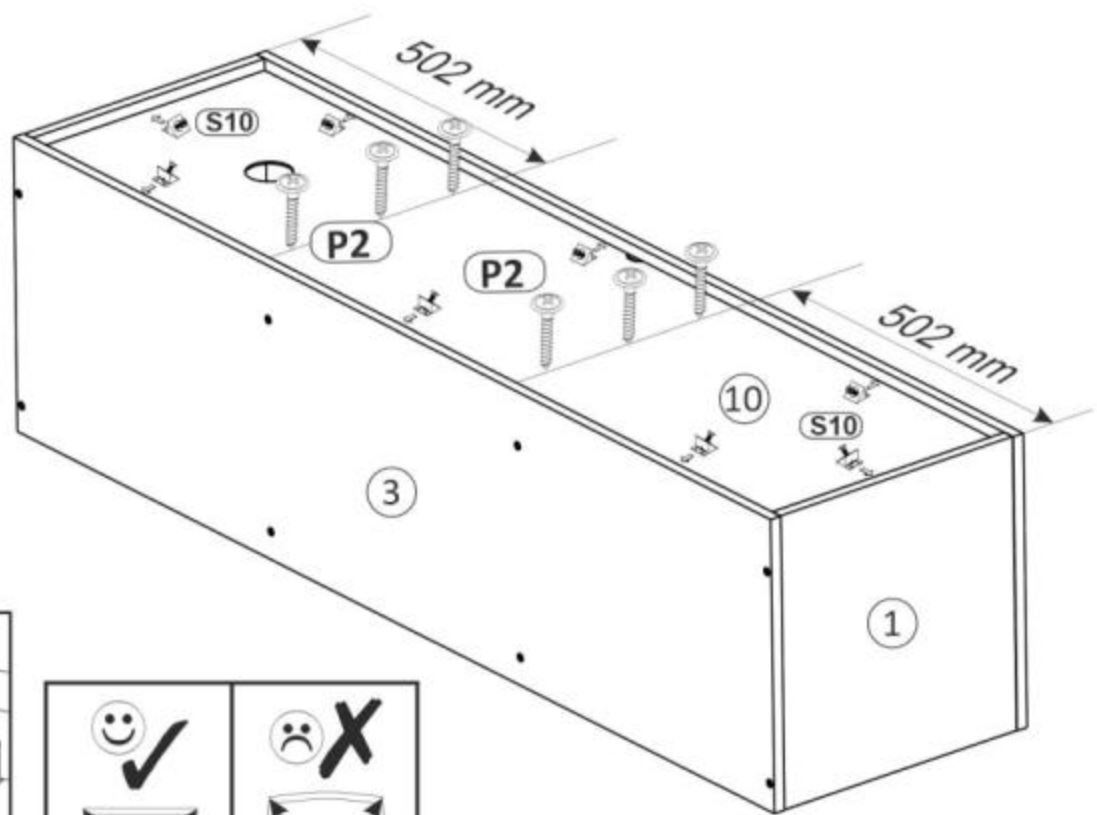
4



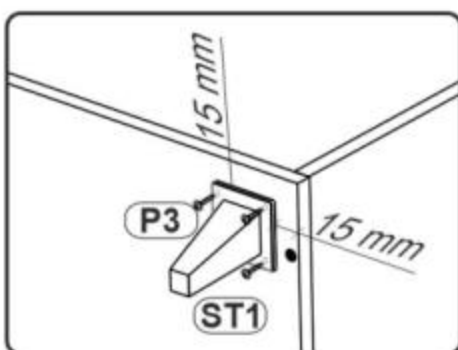
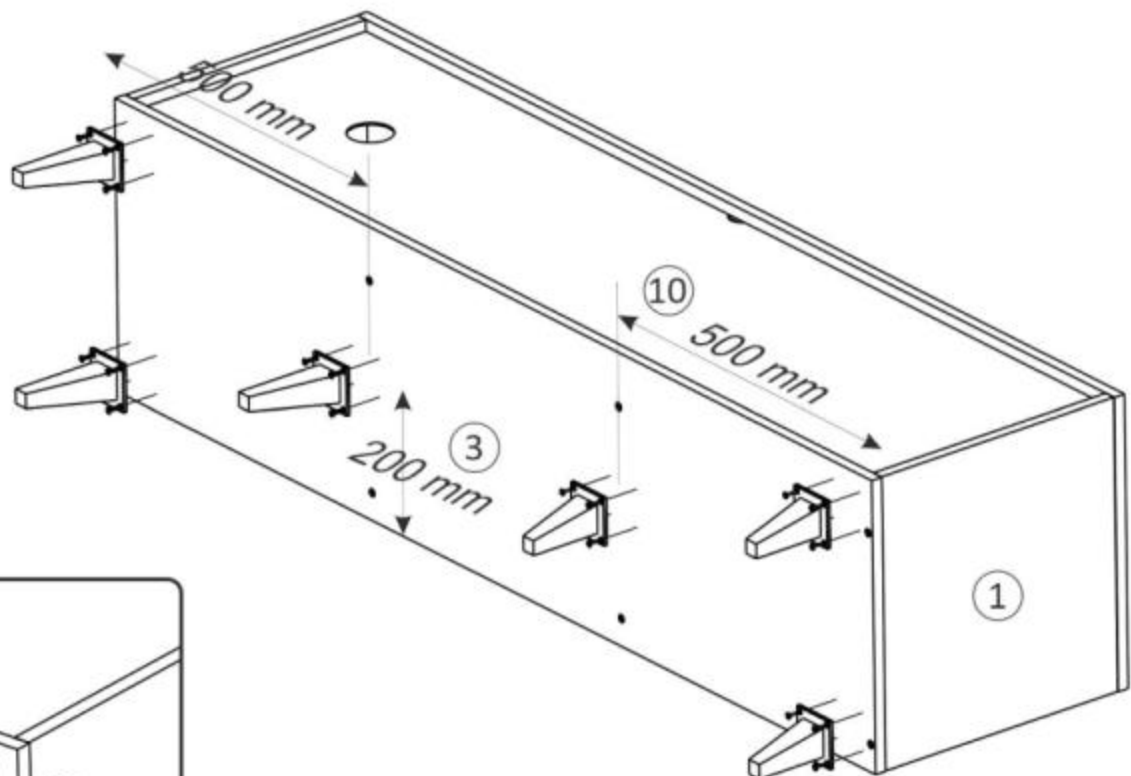
5



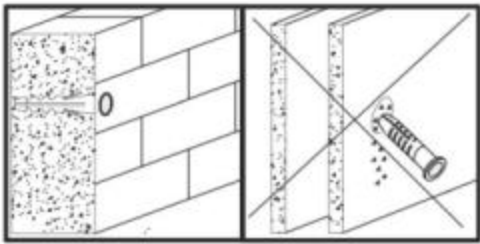
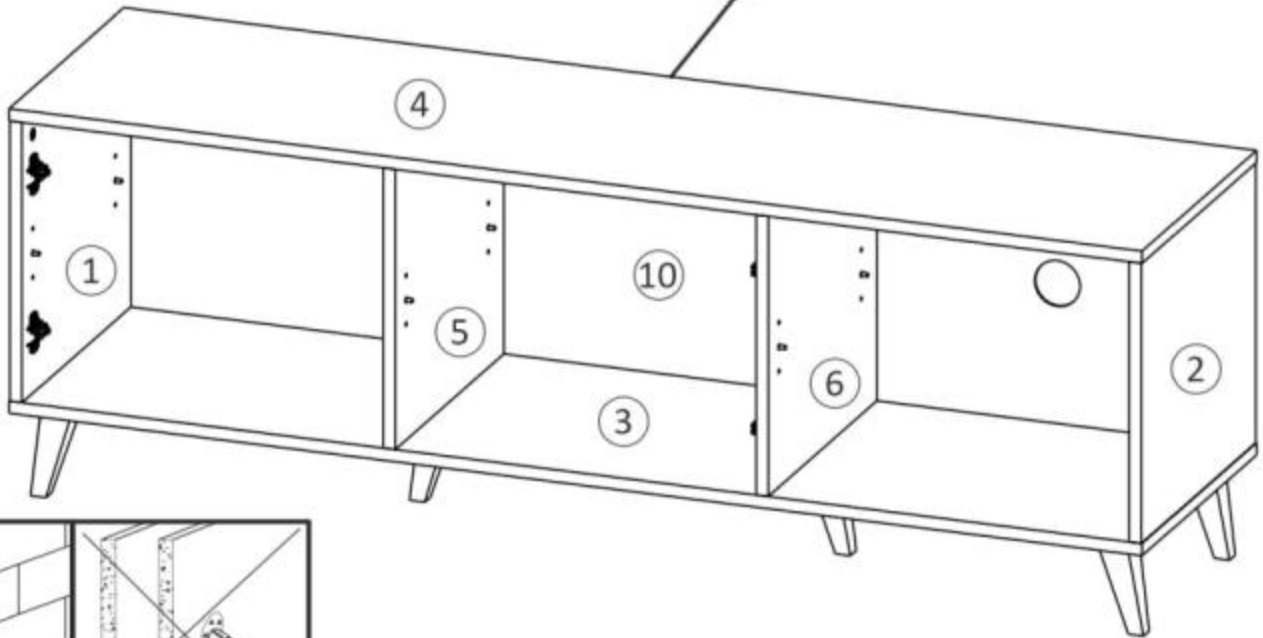
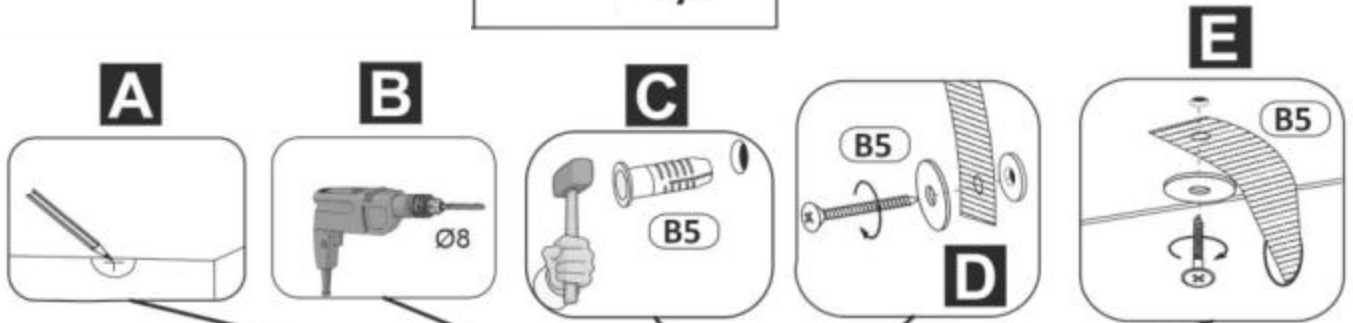
6



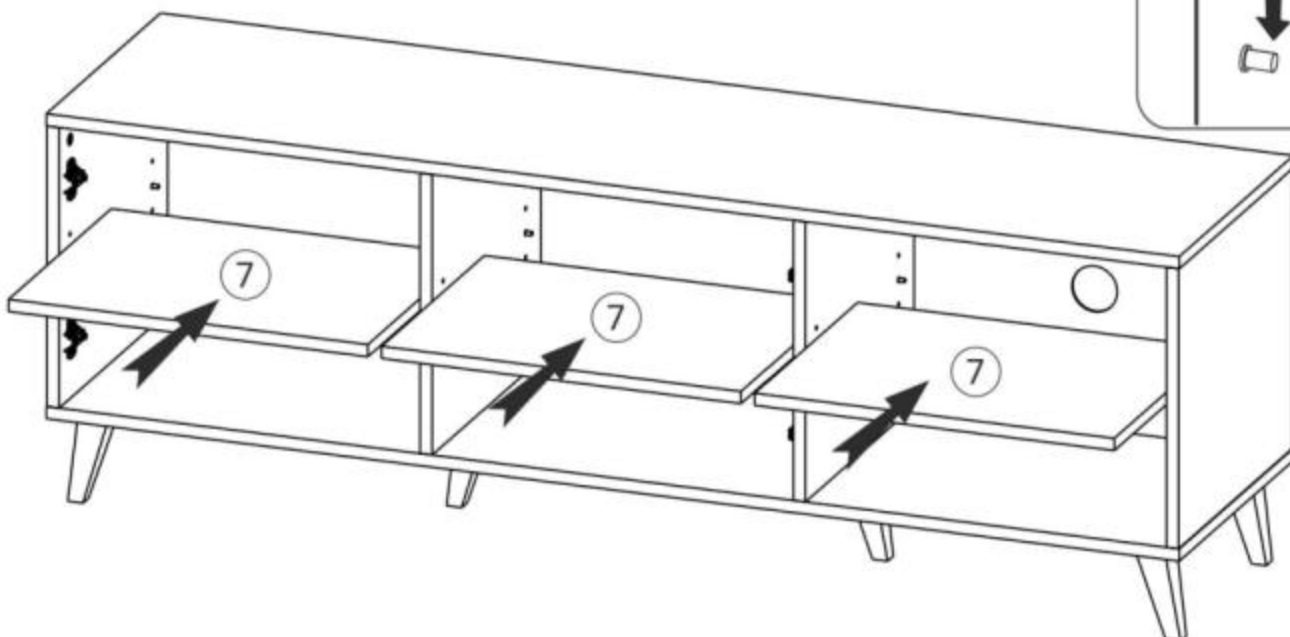
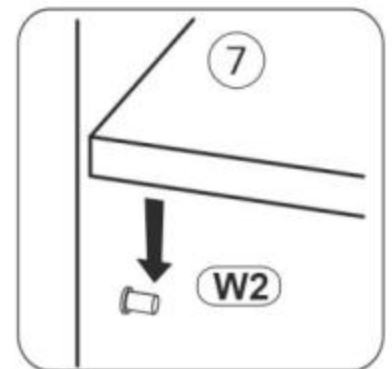
7



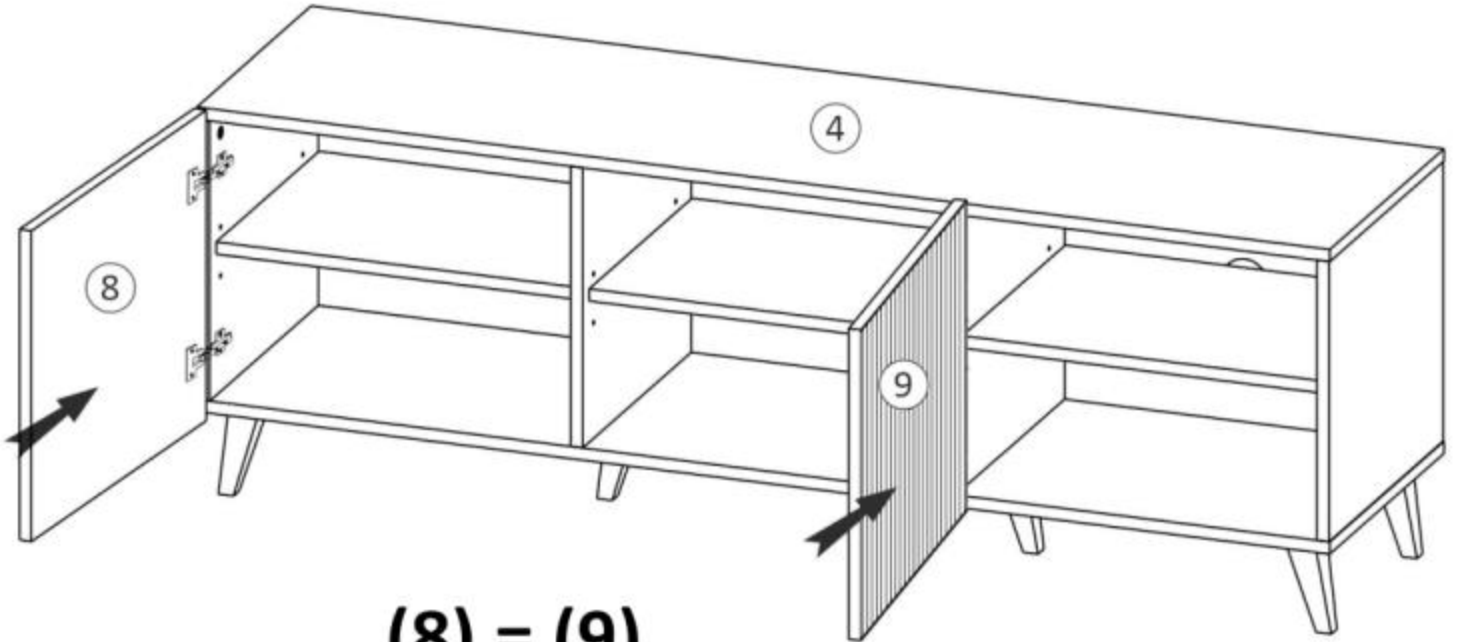
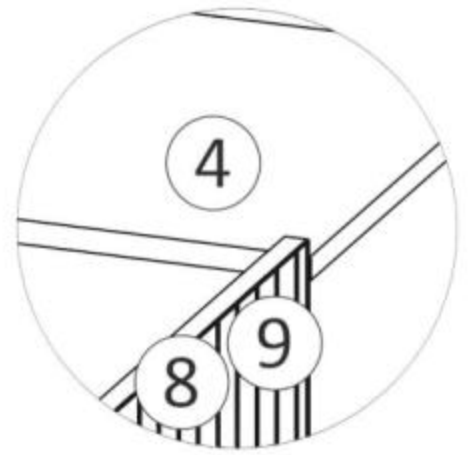
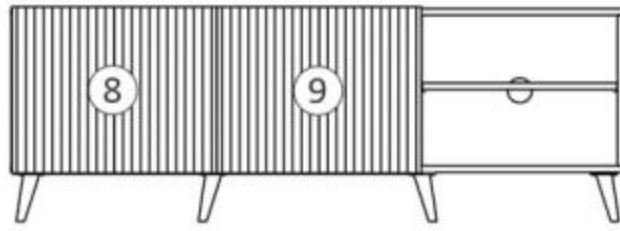
8



9



10



(8) = (9)

