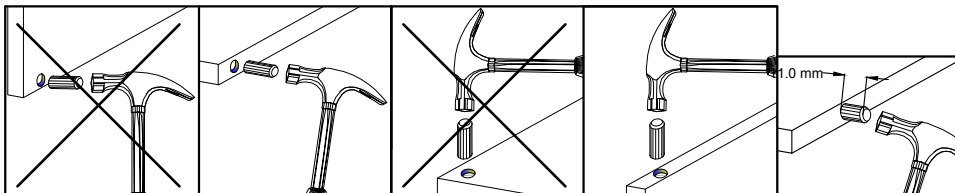
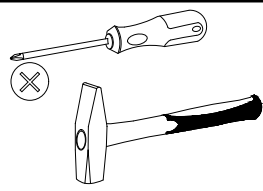
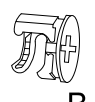

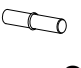



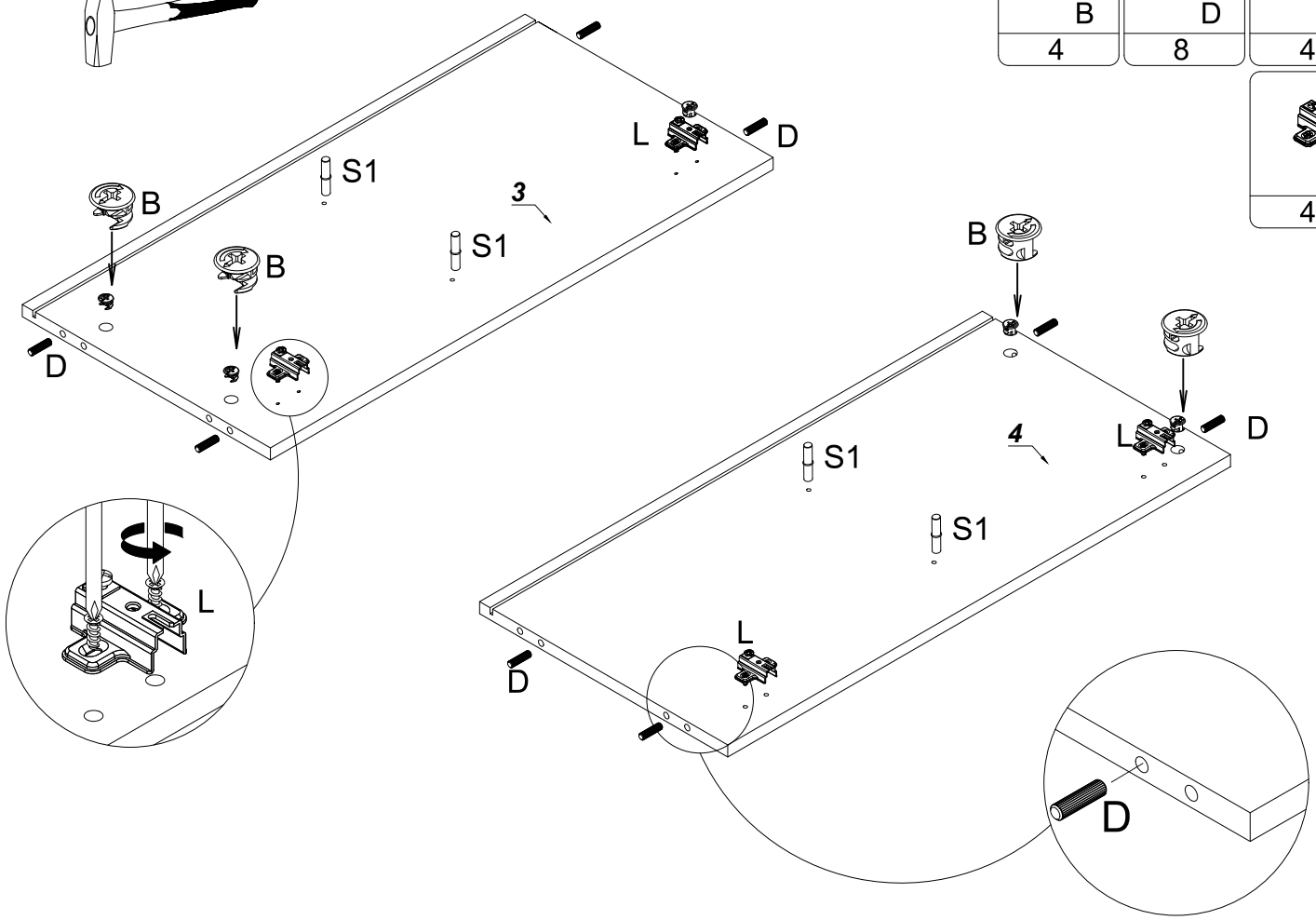
 8.0x30 D 40	 4.0x27 G 12	 A 8	 Ø15x12 B 8	 X 8	 S1 8	 M 6	 4.0x20 H2 6	 Ø 8.0 X3 8	 5.0x13 F 32	 KL 3
 I 18	 Z 4	 L 4	 PR 2	 4.0x16 H 8	 F 6	 L10 6	 MS 1	 7.0x50 O 8	 4mm Q 1	



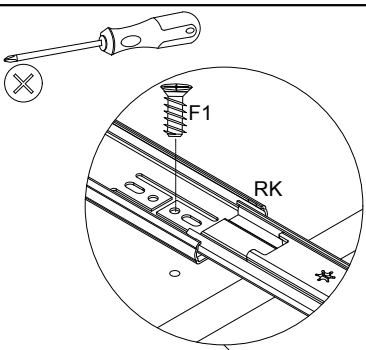
3

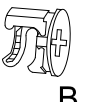

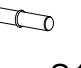




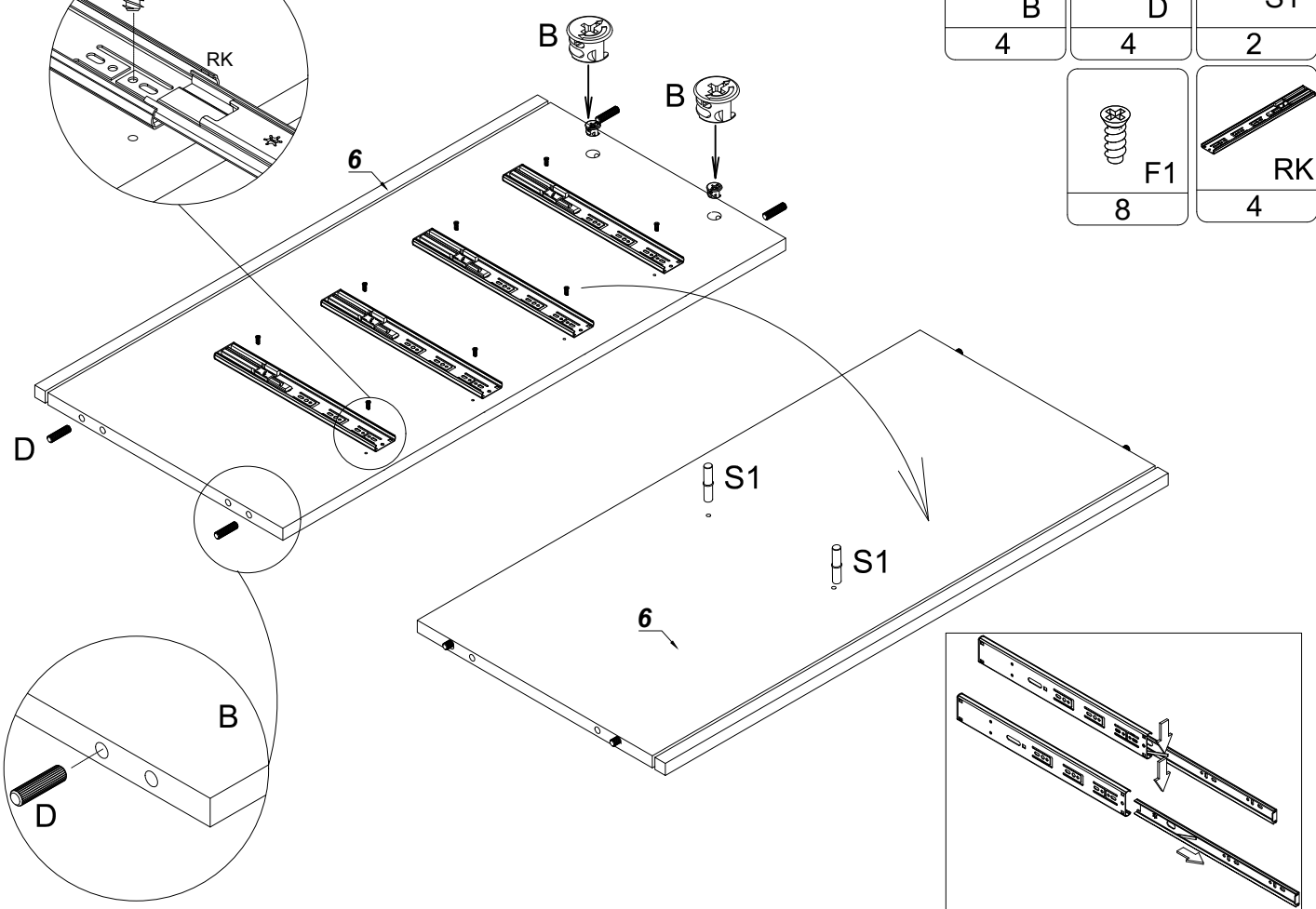
 B 4	 D 8	 S1 4
 L 4		



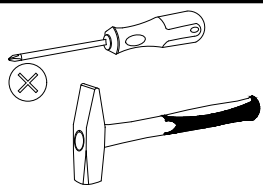
4



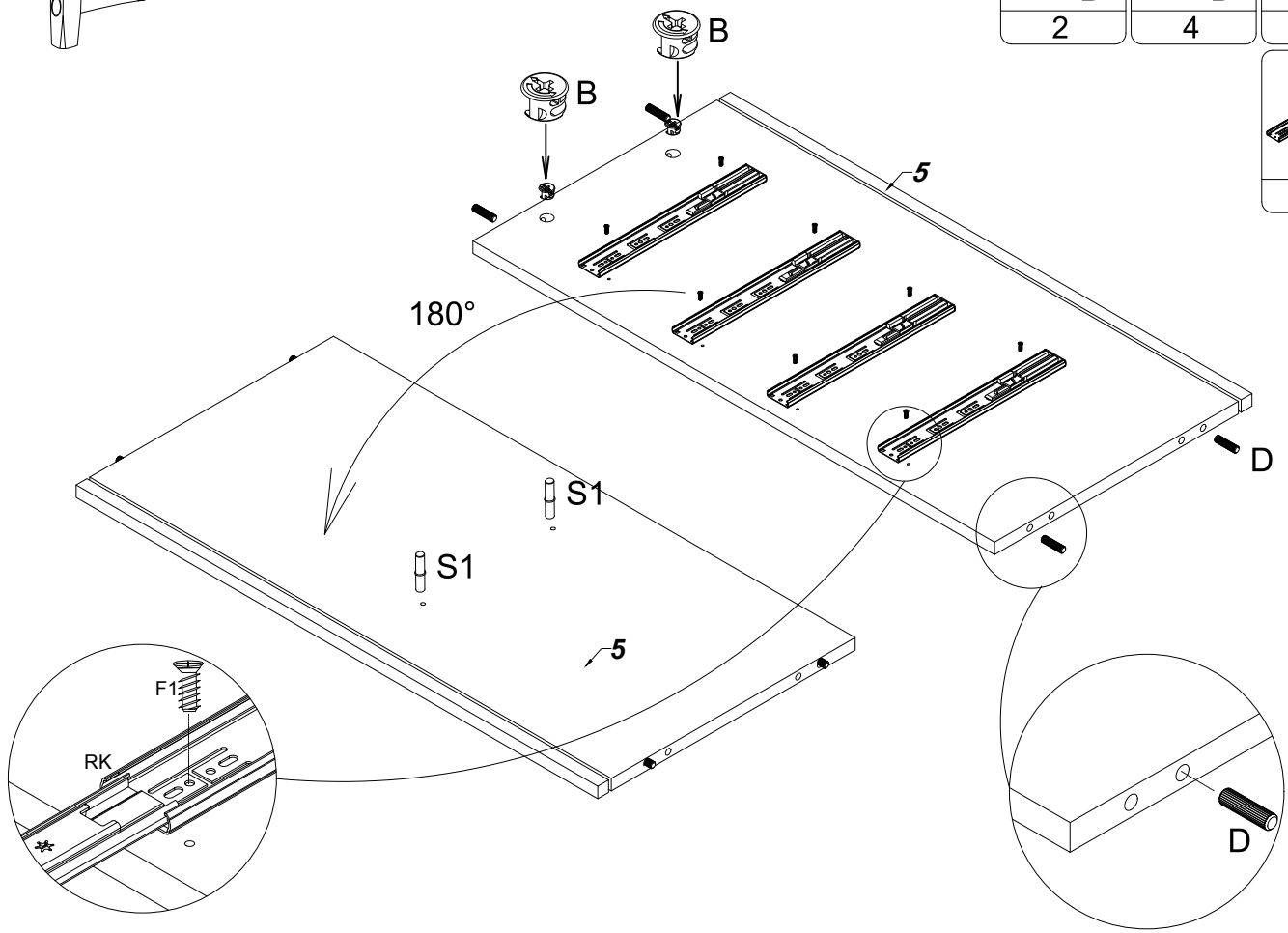
 B 4	 D 4	 S1 2
 F1 8	 RK 4	



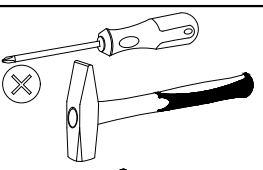
5



B 2	D 4	A 2
RK 4		

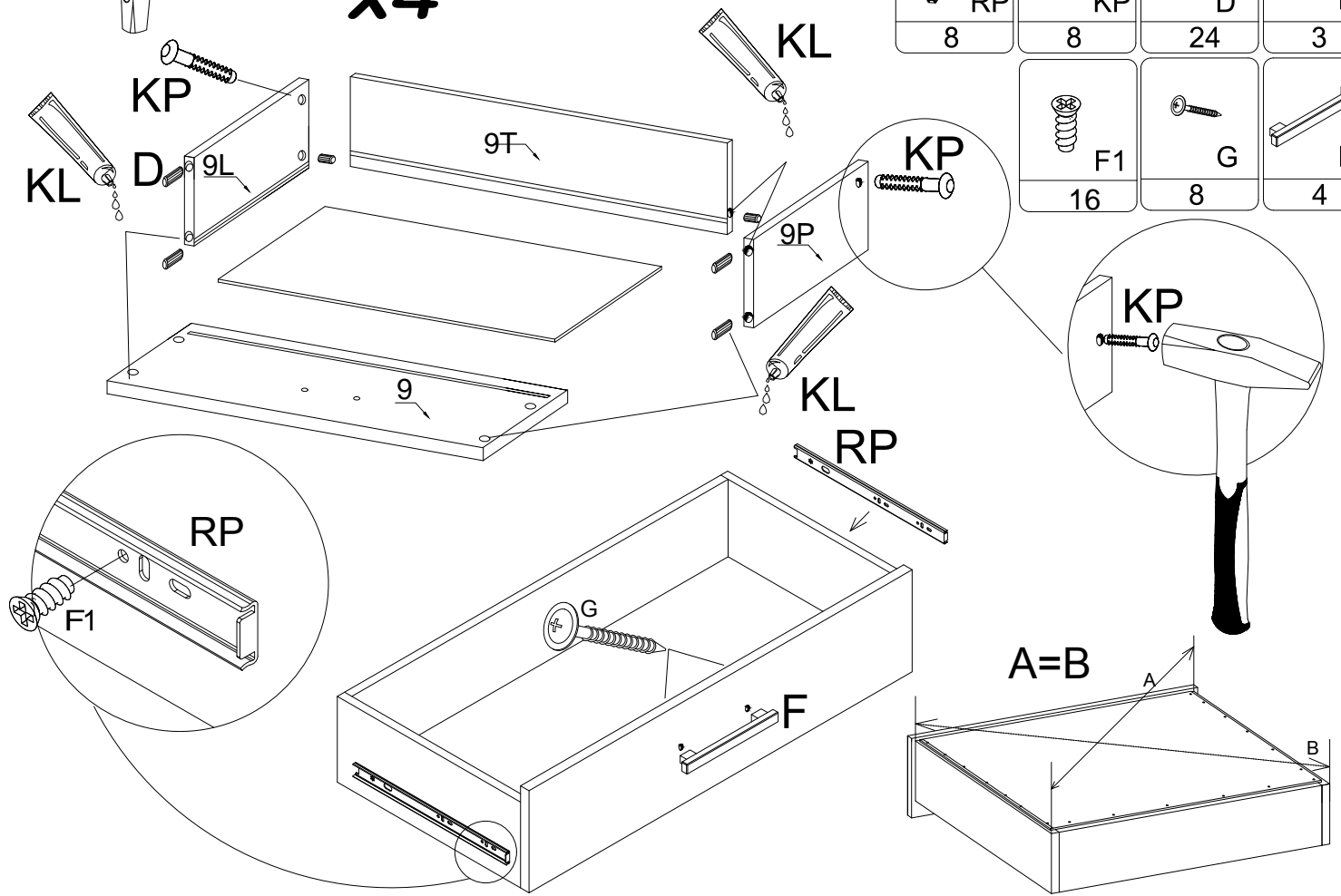


6

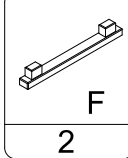
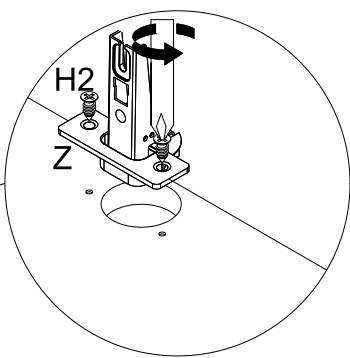
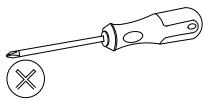


x4

RP 8	KP 8	D 24	KL 3
F1 16	G 8	F 4	

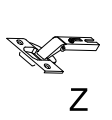


7



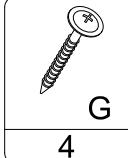
F

2



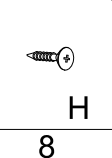
Z

4



G

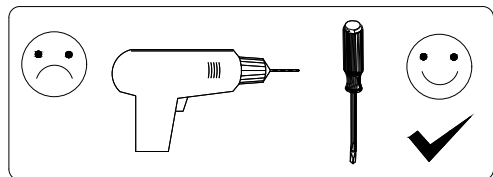
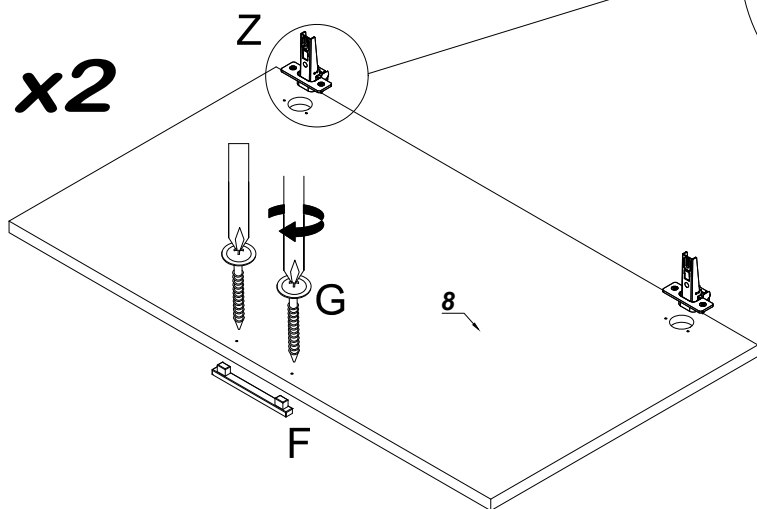
4



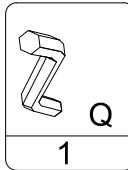
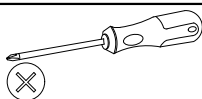
H

8

x2

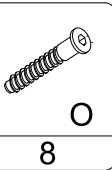


8



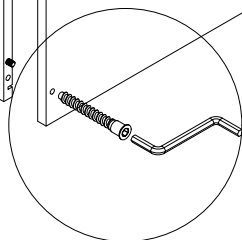
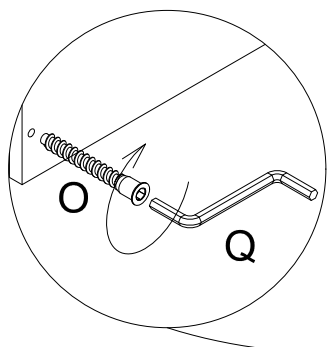
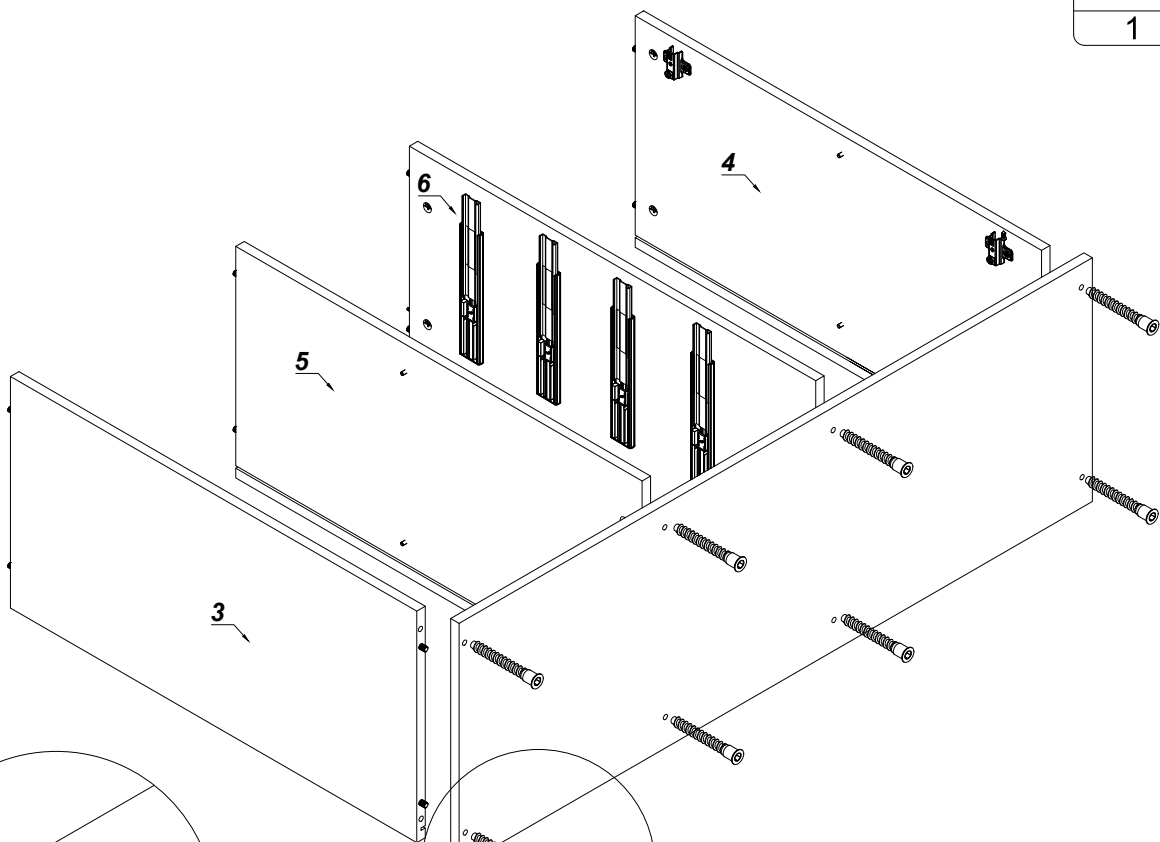
Q

1

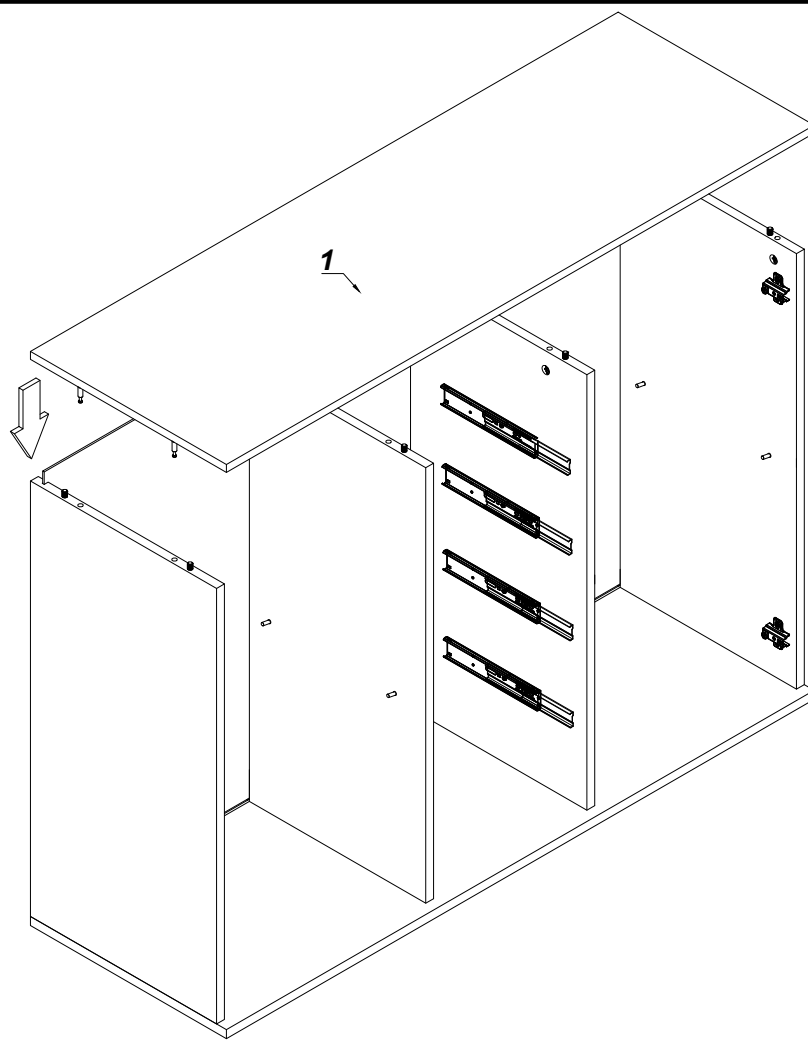
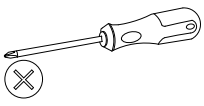


O

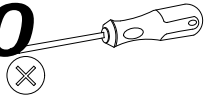
8



9

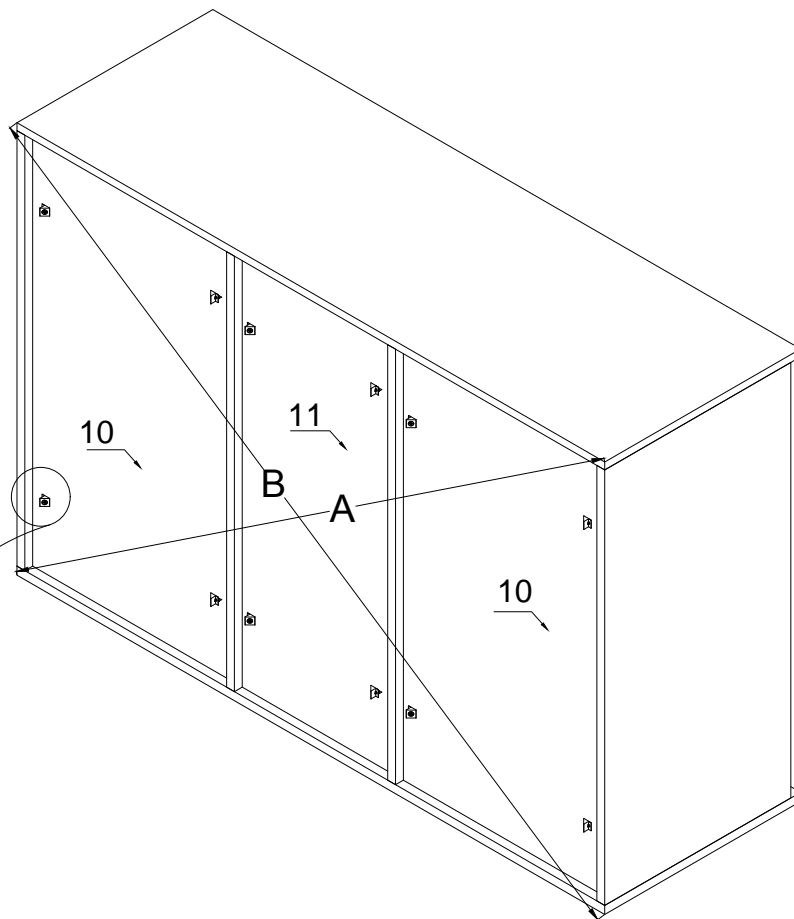
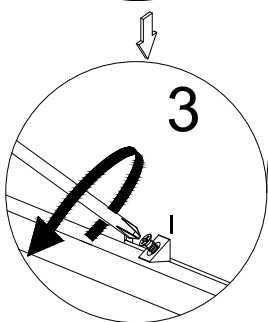
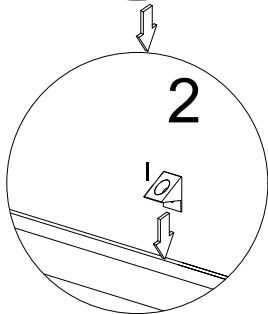
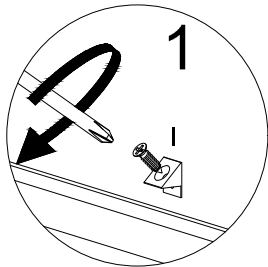


10



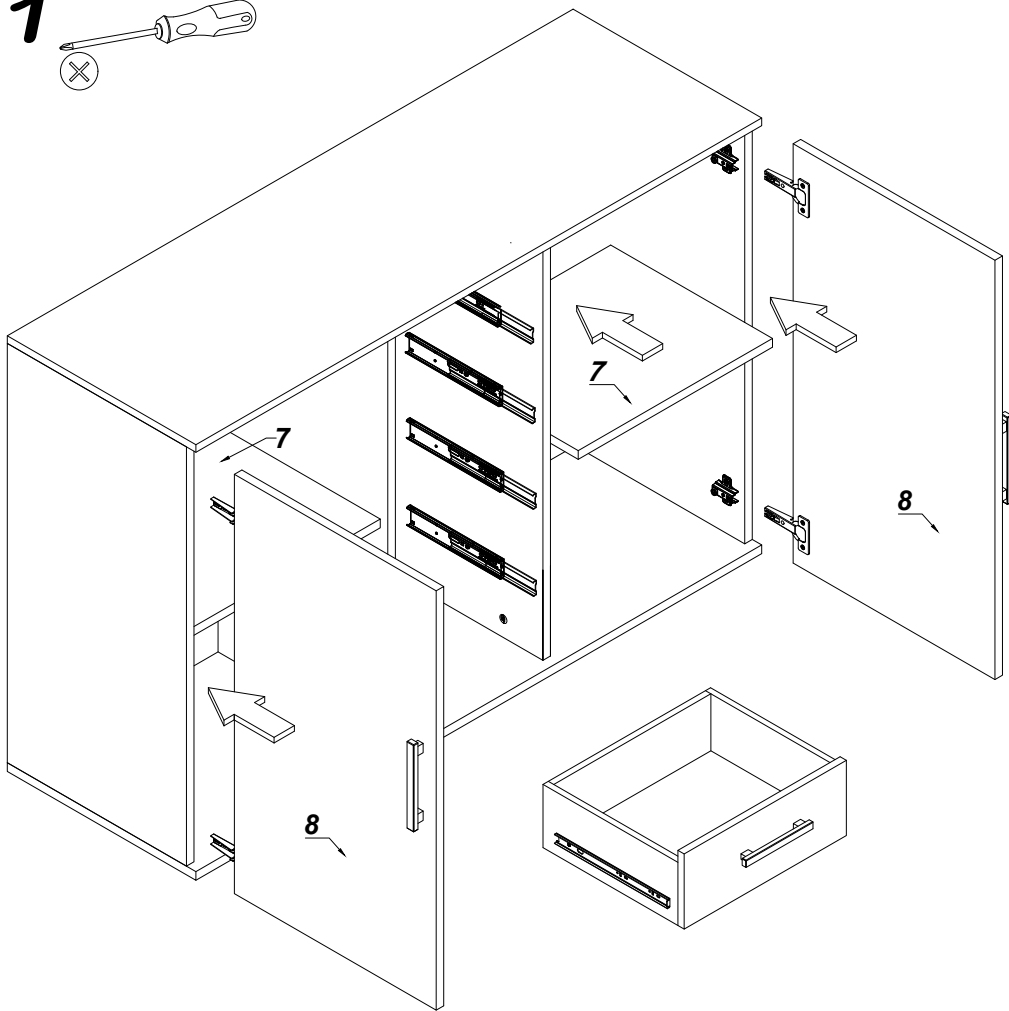
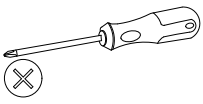
⊙	⊙
X3	I
2	6

⊙	⊙
X3	I
2	6



A=B

11



12

