

I10



x12

W1



x2

B3



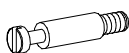
8 x 60 x12

B7



8 x 30 x36

K5



x12

K1



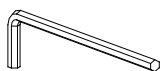
x12

P4



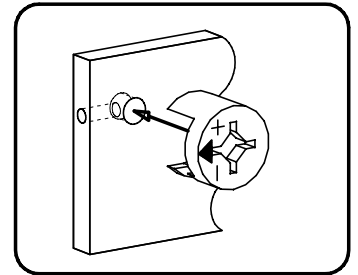
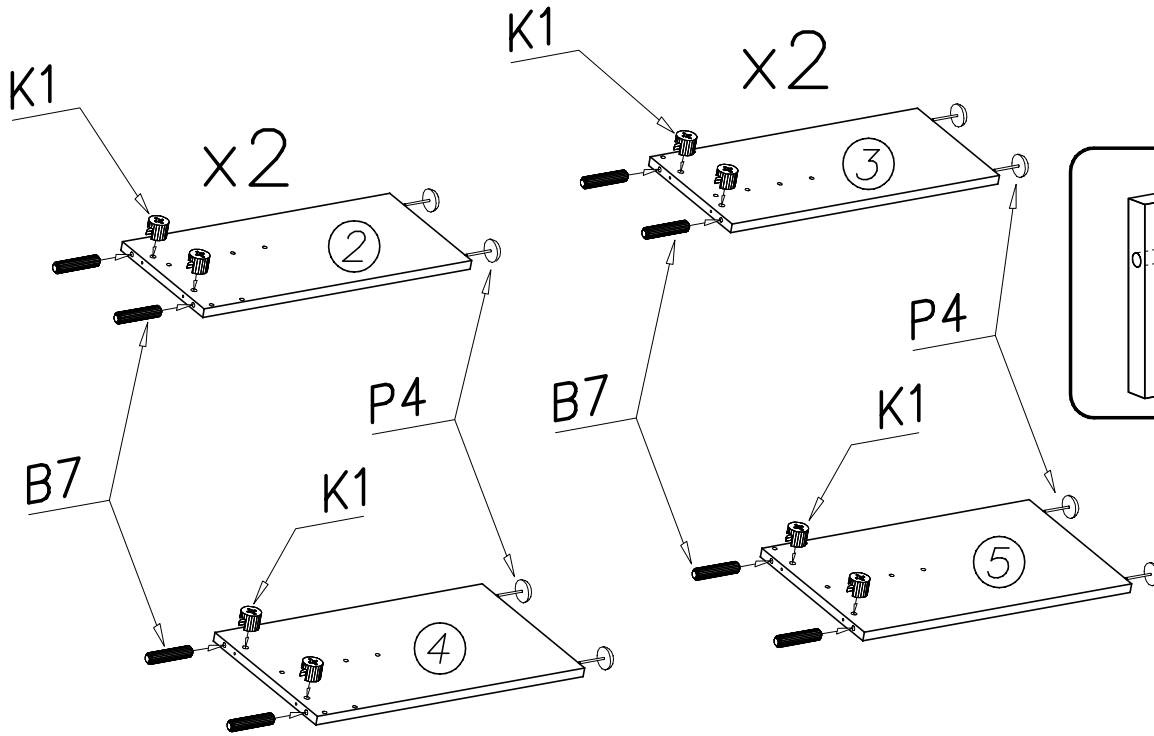
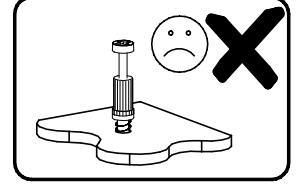
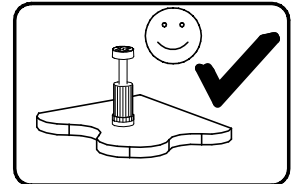
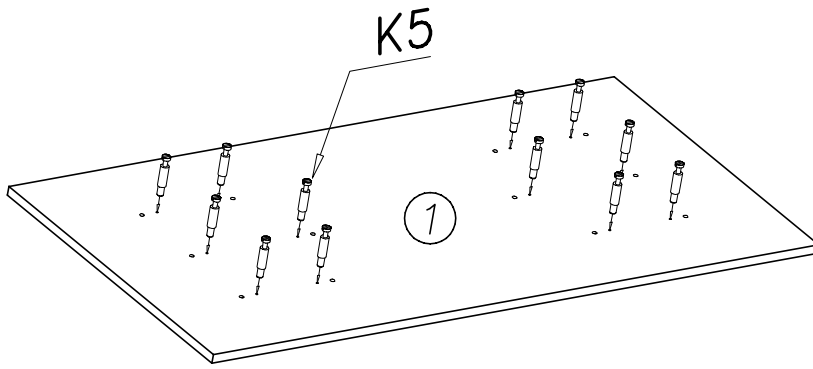
x12

W7

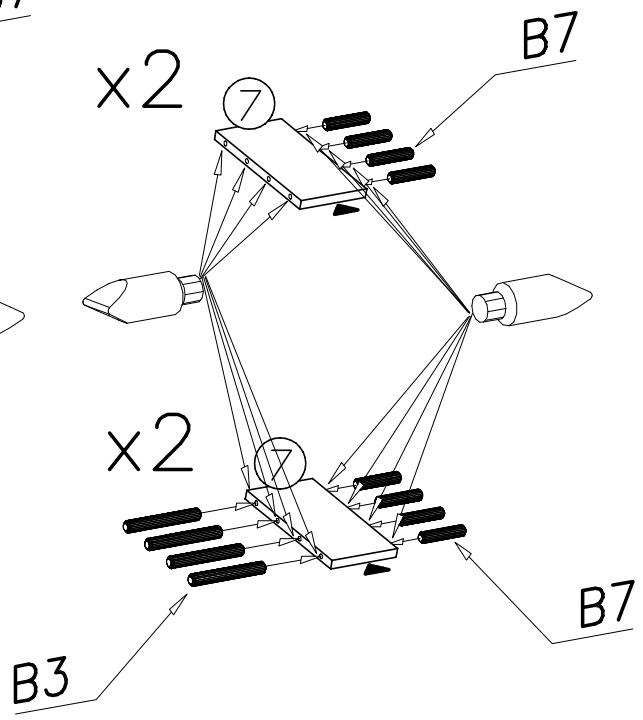
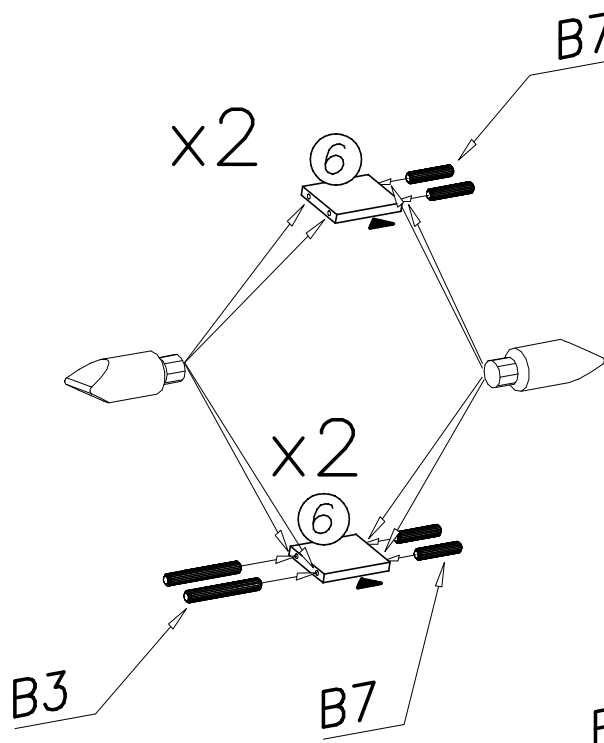


x1

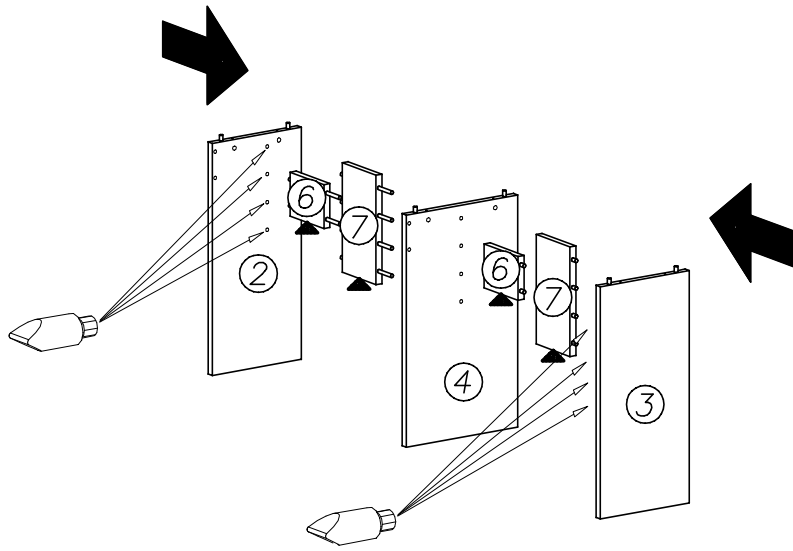
I



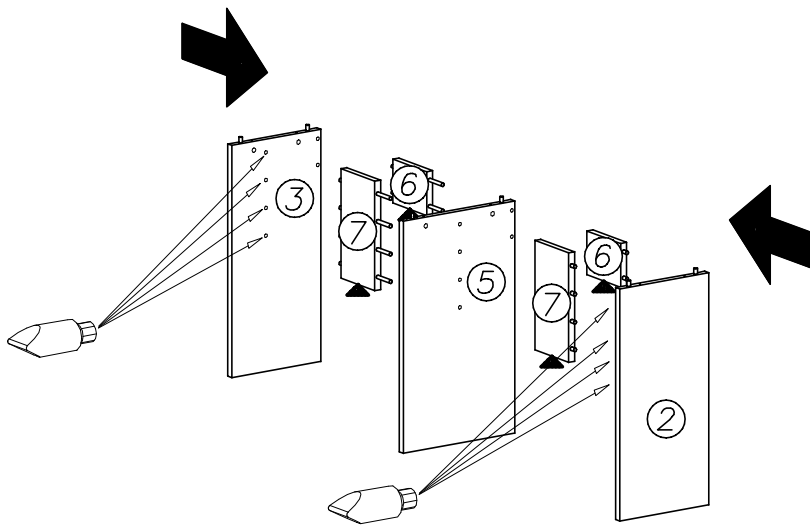
II



III



IV



V

