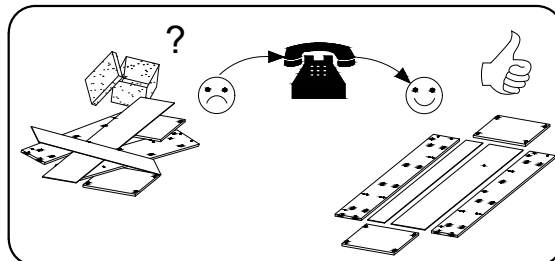
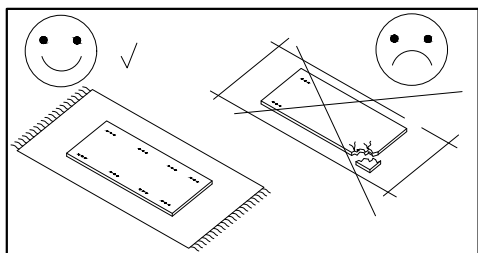
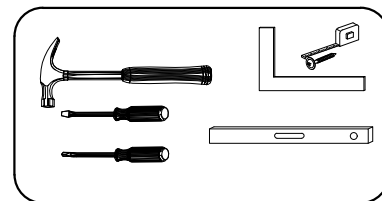
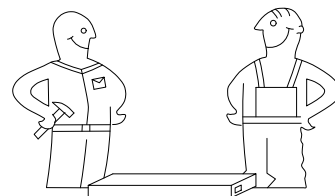


PL> INSTRUKCJA MONTAŻU
CZ> NÁVOD K MONTÁŽI
D >MONTAGEANLEITUNG
GB>ASSEMBLY INSTRUCTIONS
F >MODEL D'EMPLOI
HU>SZERELÉSI ÚTMUTATÓ
I >ISTRUZIONE DI MONTAGGIO
NL>HANDLEIDING VOOR DE MONTAGE
SK>NÁVOD K MONTÁŽI
TR>MONTAJ TALIMATI



Uwaga / Upozornění / Achtung / Attention / Caution / Figyelem
Attenzione / Opgele / Atentie / Upozornenie / Dikkat.

PL>Czyszczenie należy wykonać wyłącznie za pomocą ściereczki lub lekko nawilżonego ręcznika.
 Nie stosować środków czyszczących do szorowania.

CZ> Čistění je nutné vykonávat výhradně pomocí utěrky nebo lehce navlhčeného ručníku.
 Nepoužívejte čisticí prostředky obsahující abrazivní částice

D >Bitte nur mit einem Staubtuch oder leicht feuchtem Lappen reinigen. Keine scheuerenden Putzmittel verwenden.

GB>Please only clean with a duster or a damp cloth. Do not use any abrasive cleaners.

F >Le nettoyage se fait uniquement à l'aide d'un torchon ou d'une serviette légèrement mouillée.

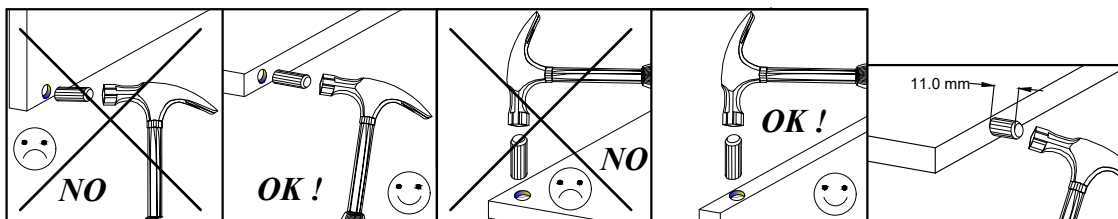
HU>A tisztítás kizárólag trőlörüha vagy enyhén nedvesített törölköző segítségével végezhető.
 Súroló hatású tisztítószerket nem szabad használni.

I >Pulire esclusivamente con un panno o un asciugamano umido.

NL>Reinig alleen met een stofdoek of een lichtjes vochtige doek. Gebruik geen schurende poetsmiddelen.

SK>Čistení je nutné vykonávat výhradne pomocí utierky alebo ľahko zvlhnutým ručníkom.
 Nepoužívajte čistiaci prostriedky obsahujúci abrazívne častice.

TR>Lütfen sadece bir toz beziyle veya hafif nemli yumuşak bir bezle siliniz. Aşındırıcı temizlik malzemeleri kullanmayınız.



INSTRUCTIONS FOR USE

High beds and the upper bed of bunk beds are not suitable for children under six years due to the risk of injury from falls;

Bunk beds and high beds can present a serious risk of injury from strangulation if not used correctly . Never attach or hang items to any part of the bunk bed that are not designed to be used with the bed , for example , but not limited to ropes , strings , cords , hooks , belts and bags;

Children can become trapped between the bed and the wall , a roof pitch , the ceiling , adjoining pieces of furniture (e.g cupboards) and the like . To avoid risk of serious injury the distance between the top safety barrier and the adjoining structure shall not exceed 75 mm or shall be more than 230 mm;

Do not use the bunk bed/high bed if any structural part is broken or missing;

Always follow the manufacturer's instructions;

The recommended height of the mattress(es) 12 cm;

Ventilation of the room is necessary in order to keep humidity low and prevent mould in and around the bed;

All bunk beds and high beds should be assembled as in instructions;

All bunk beds and high beds should include assembly instructions (a list of the parts supplied and details of any tools required to assemble the bed);

Attention : Please check regularly that all assembly fastenings are properly tightened

Number of European Standard : EN 747-1:2012+A1:2015 (E)



There is a possibility of yellowing of the coating of white coloured beds.

Wood is a natural product, whose natural grain, texture and colour are subject to fluctuations associated with growth, location and climate. Moreover, hue of the wood surface varies over time as a result of light and heat.

This natural process of aging is subject to greater or lesser extent on all types of wood. Wood is not resistant to light. Sunlight as well as diffused light inside the room contribute the most to colour change. The degree of changes to the shade depends not only on the passing of time, but also on placement of the furniture.

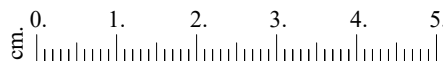
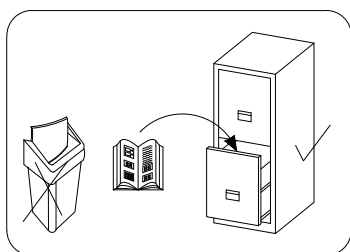
Invisible elements such as slats, frame supporting the slats, bottoms of drawers, etc. are not painted as the rest of the bed.




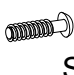








All bolts and screws are to be screwed gently and slowly to avoid damaging the panels by cracks. Do not screw fittings close to the edges.

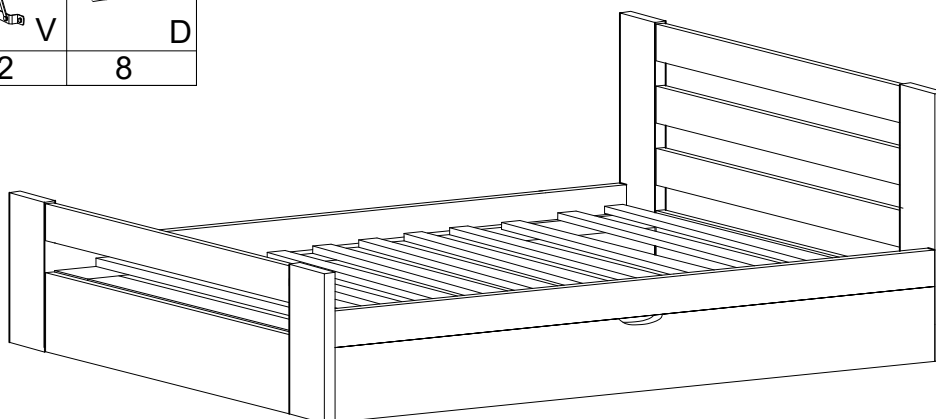
ATTENTION!

After assembling, please wipe the bed with a damp cloth. The product might give off a strong scent of paint after assembling, usually up to 72hours.

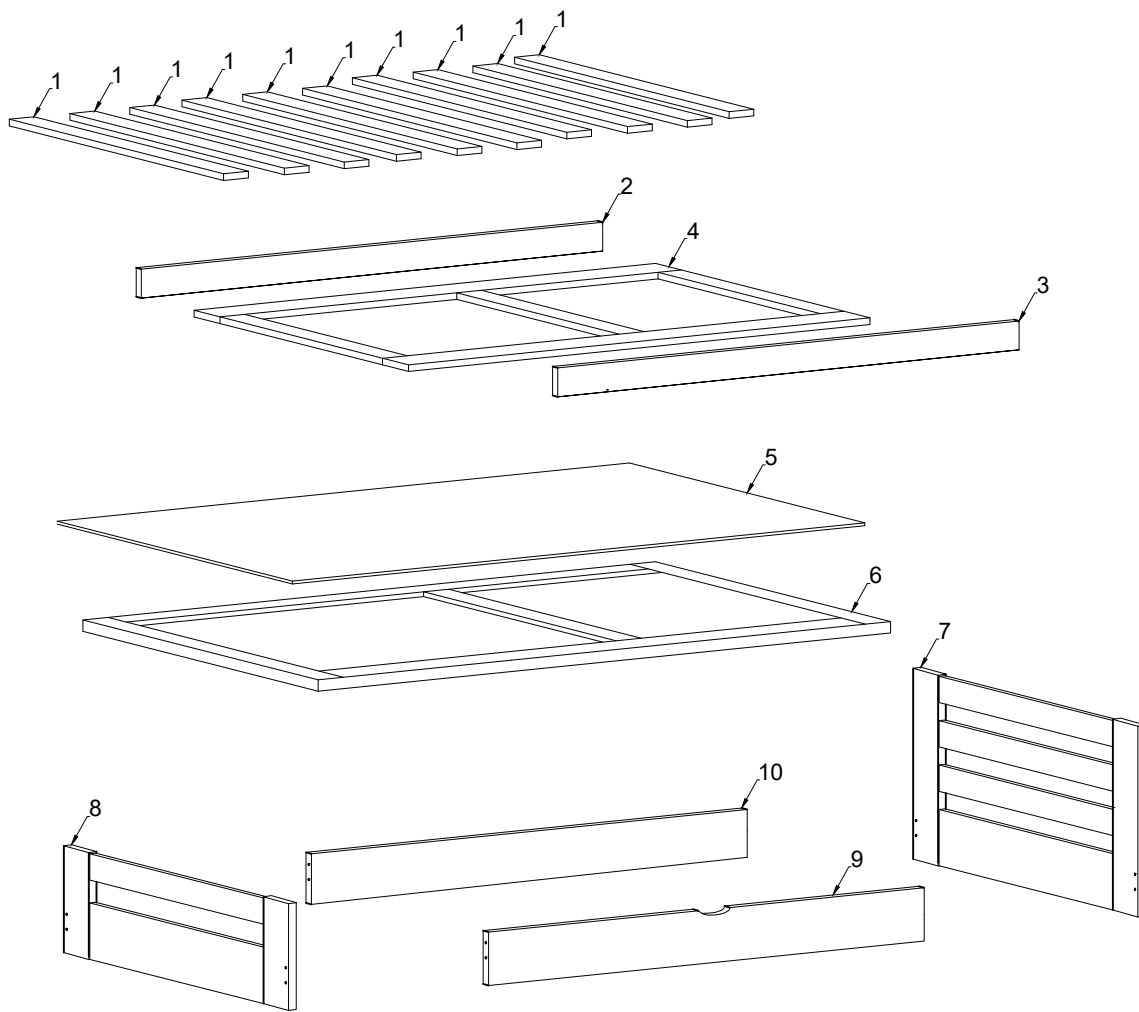
***Karta serwisowa / Servisní list / Service Karte / Service card / Carte de service
Szervizkártya / Scheda di servizio / Service kaart / Servisný list / Servis karti.***



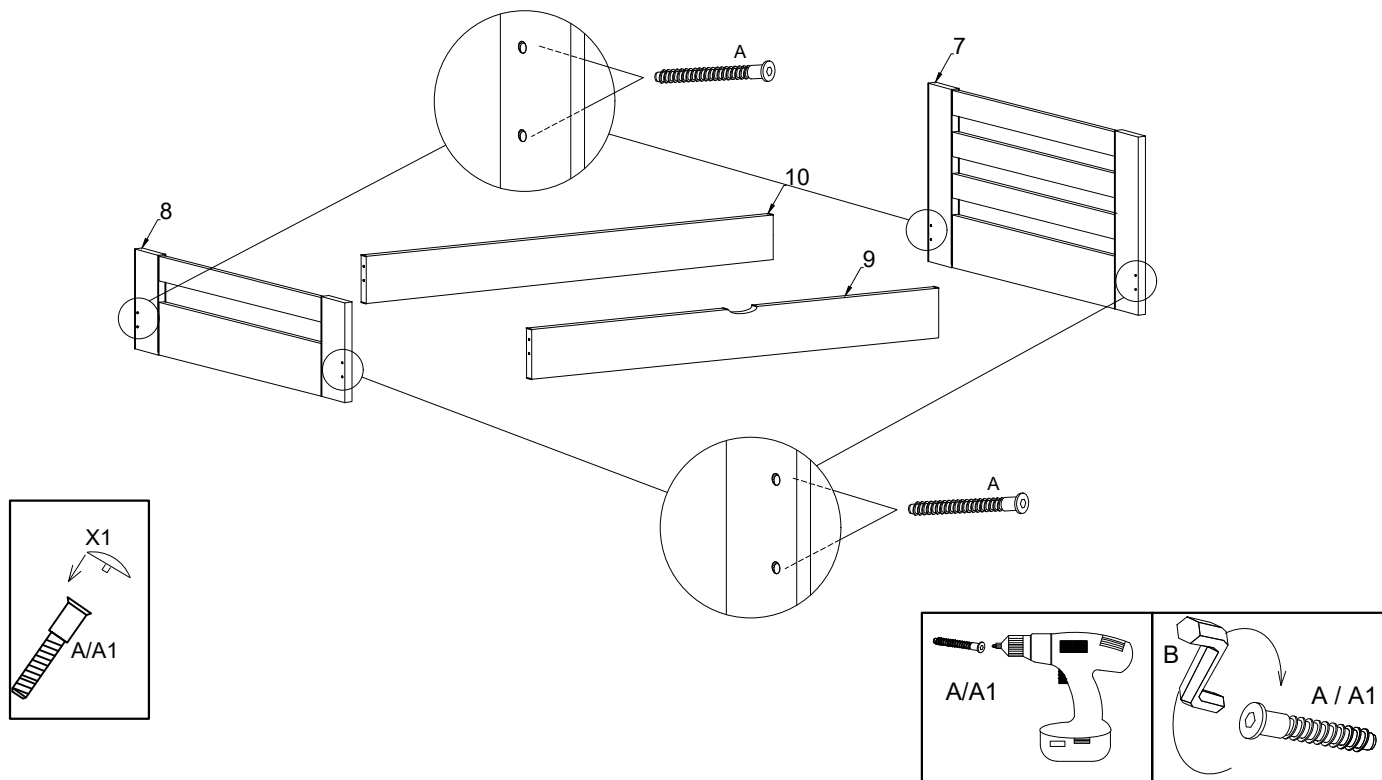
7.0X70  A 8	7.0X50  A1 8	 X1 16	 S1 8	 S 8	3.5X35  P1 8	3.5X40  P2 8
 B 1	 N 4	 S1 --	 V 2	3.5X25  D 8		



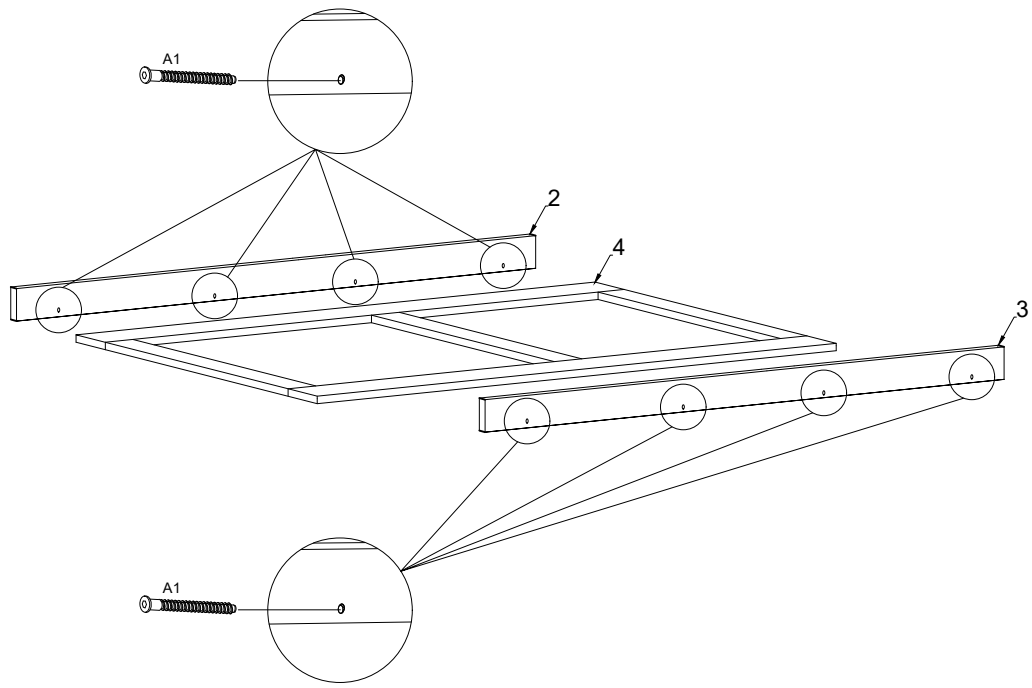
1



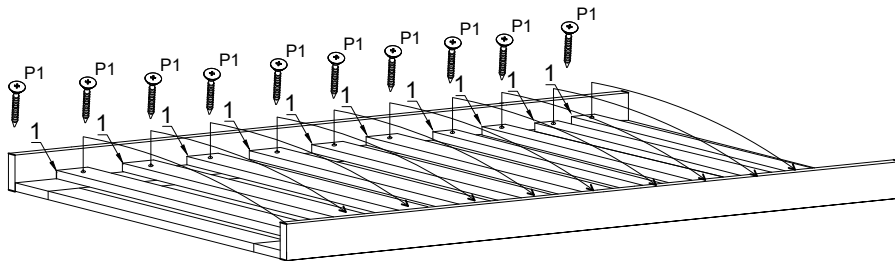
2



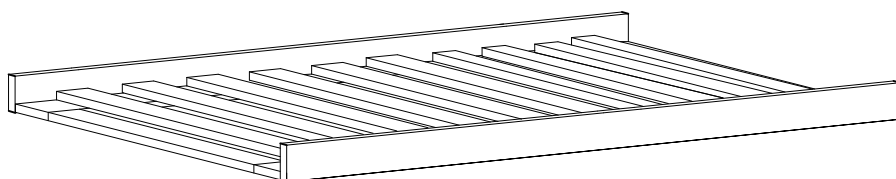
3



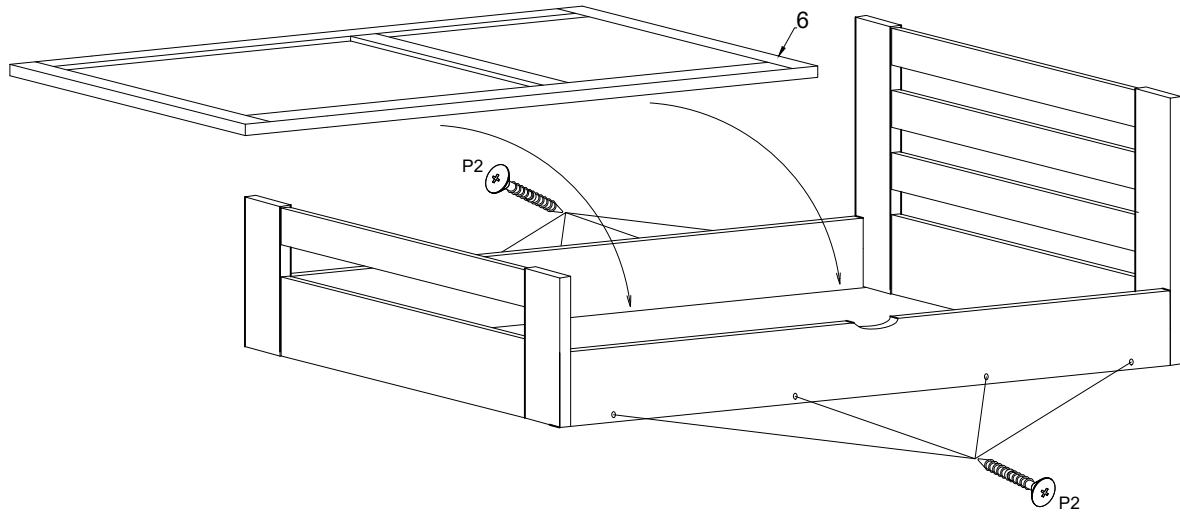
4



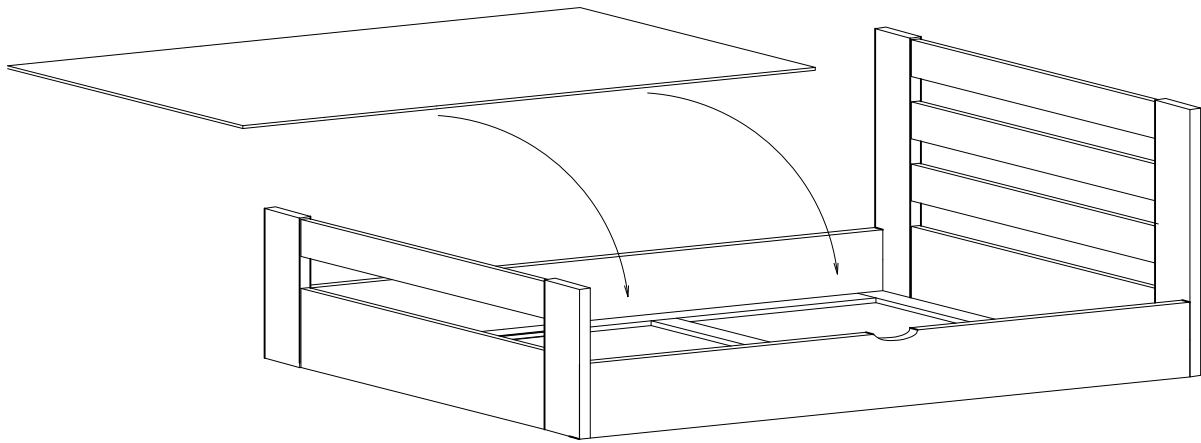
5



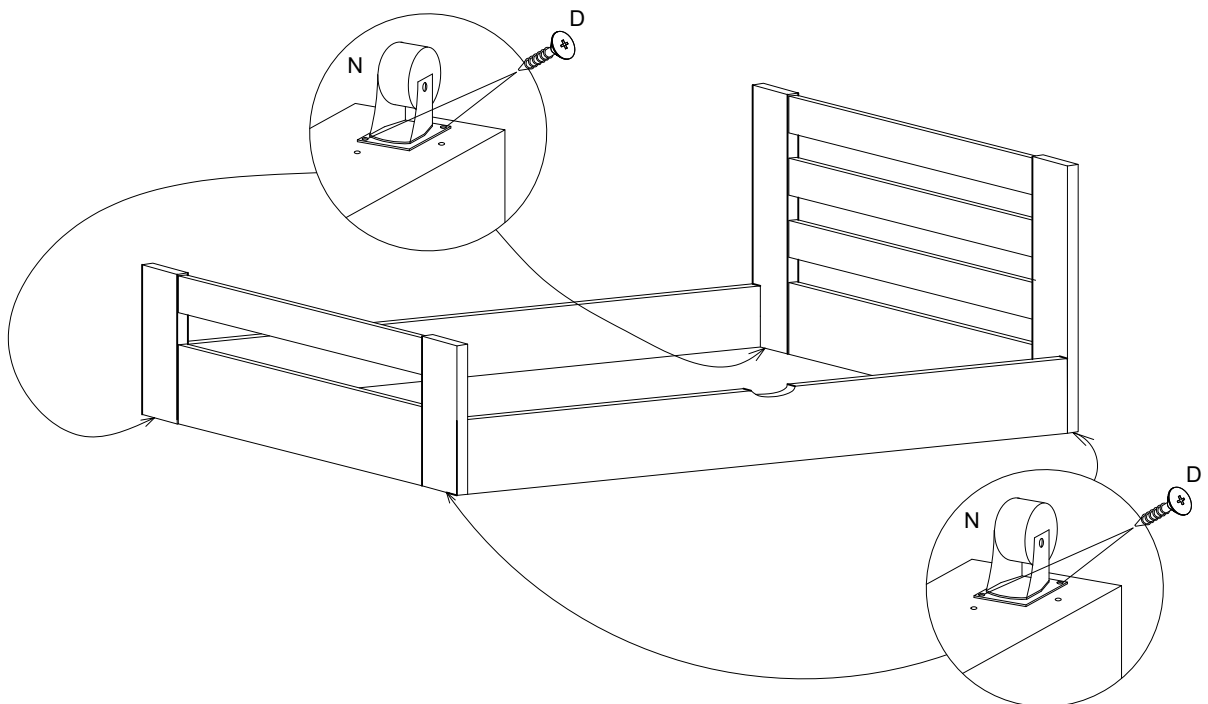
6



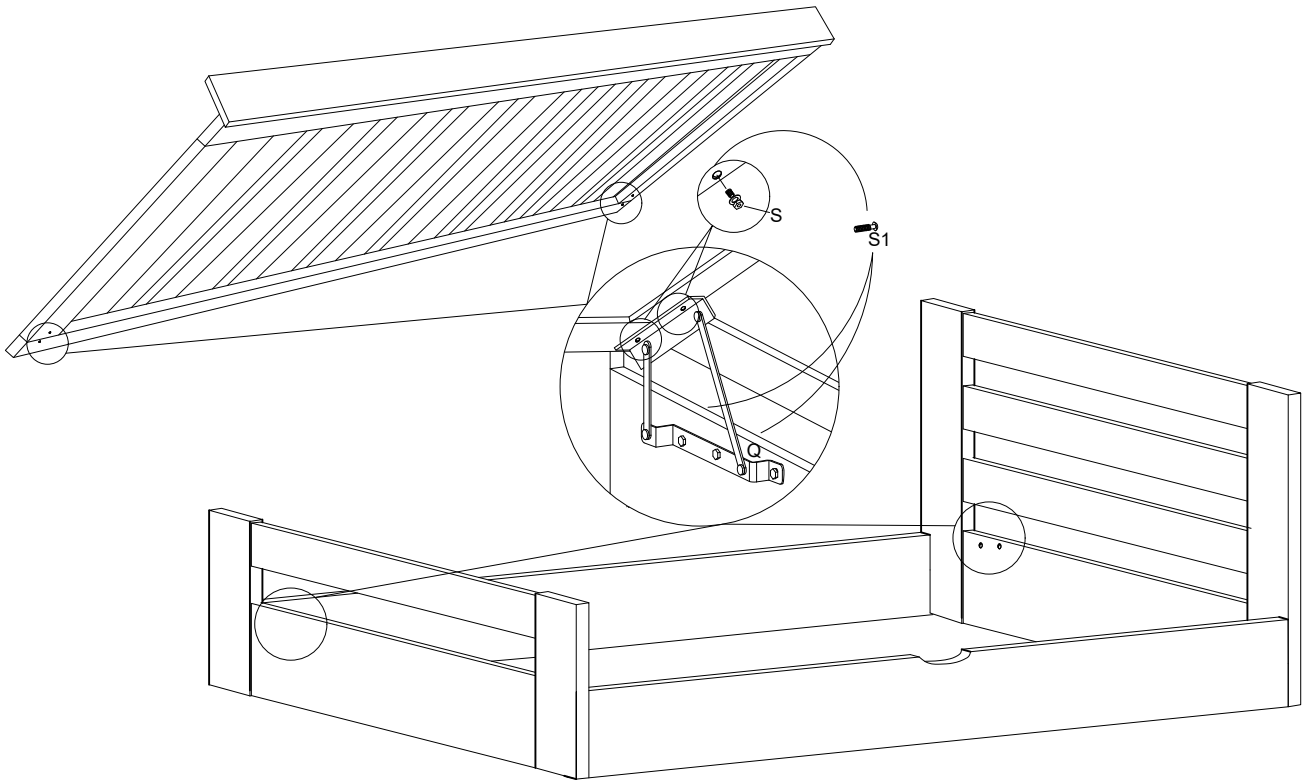
7



8



9



10

