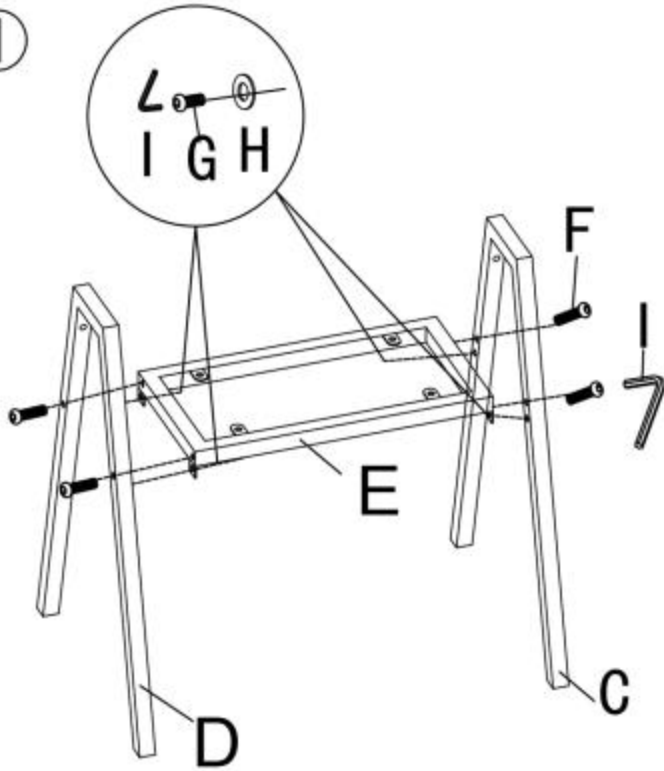
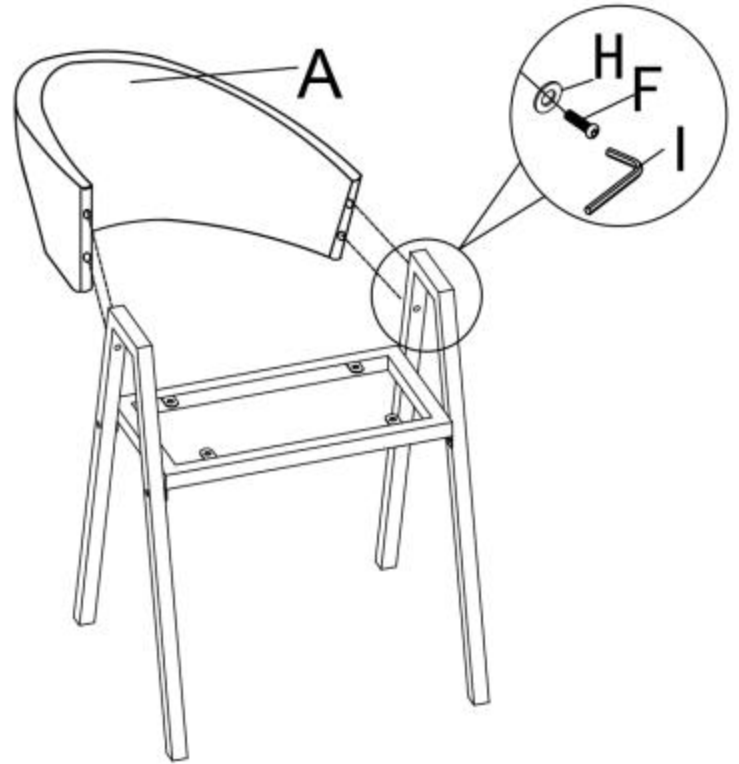

		Ax1	Bx1	Cx1	Dx1	Ex1	Fx8	Gx8	Hx12	Ix1

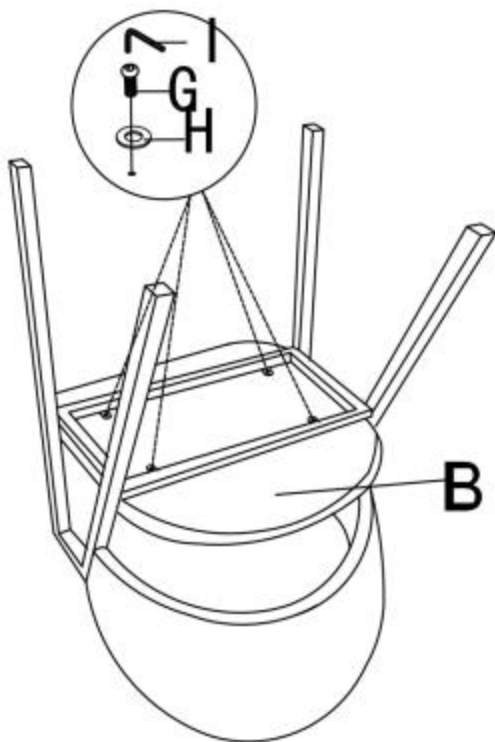
①



②




③



④



 max. 100 kg