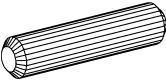
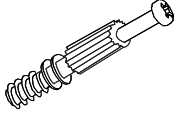
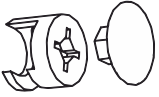
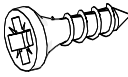

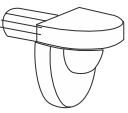
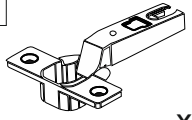
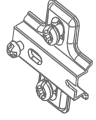
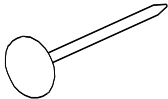
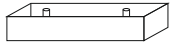

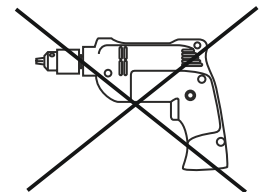
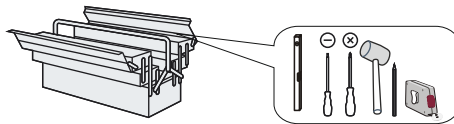
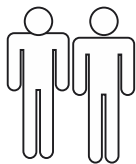
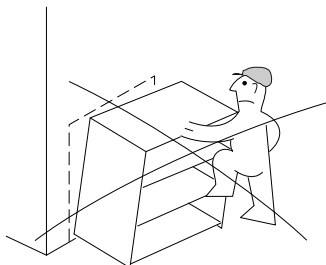
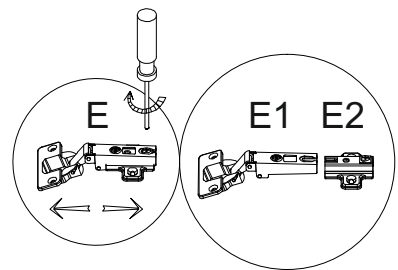
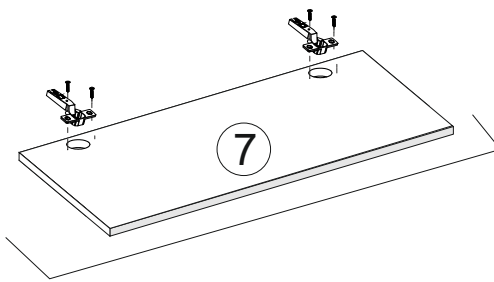
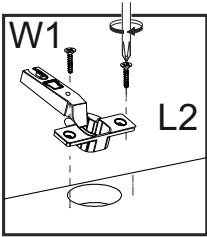
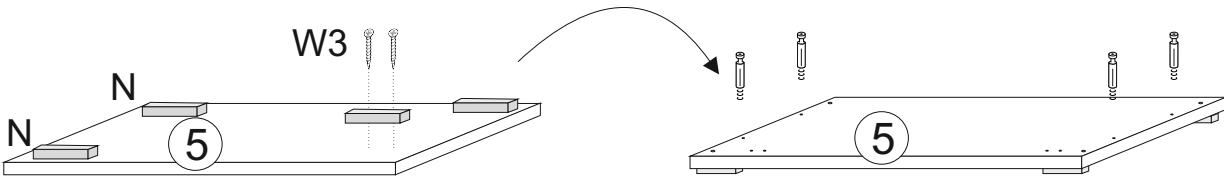
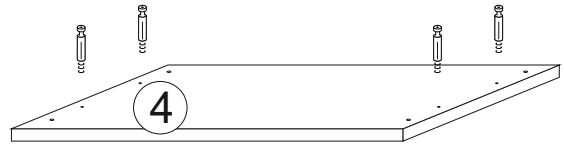
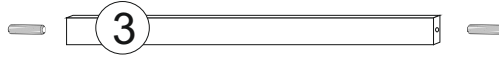
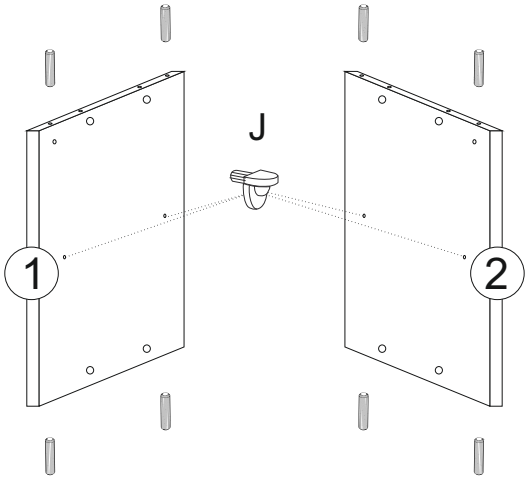
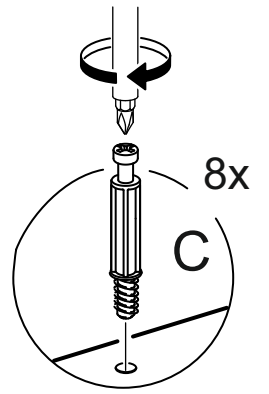
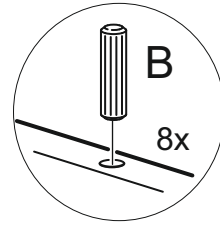
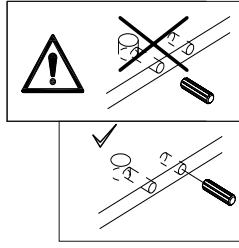
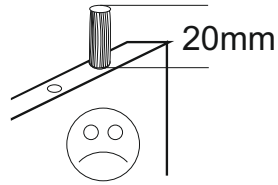
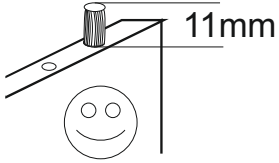
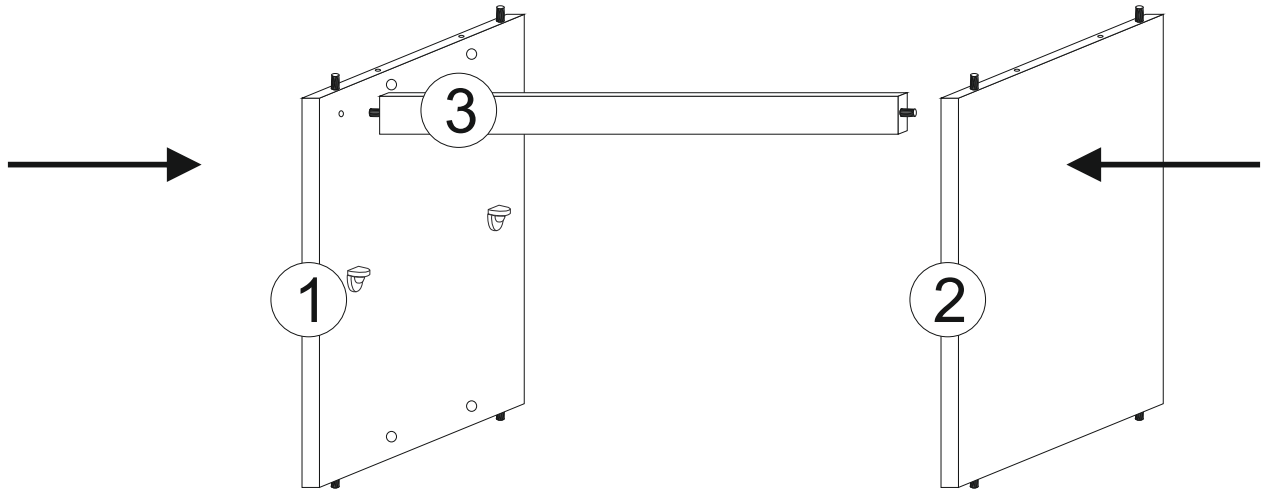


<b>B</b>  x10	<b>C</b>  x8	<b>D</b>  x8	<b>W1 3.5x16</b>  x9	<b>W3 3.5x25</b>  x8
<b>J</b>  x4	<b>E1</b>  x2	<b>E2</b>  x2	<b>G</b>  	<b>N</b>  x4
<b>KI</b>  x1				

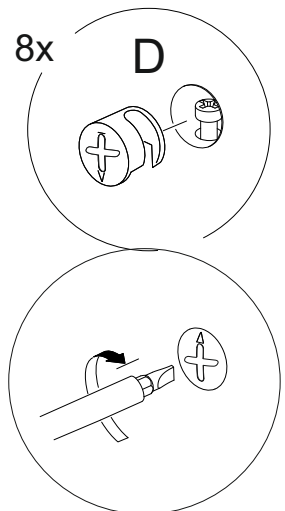
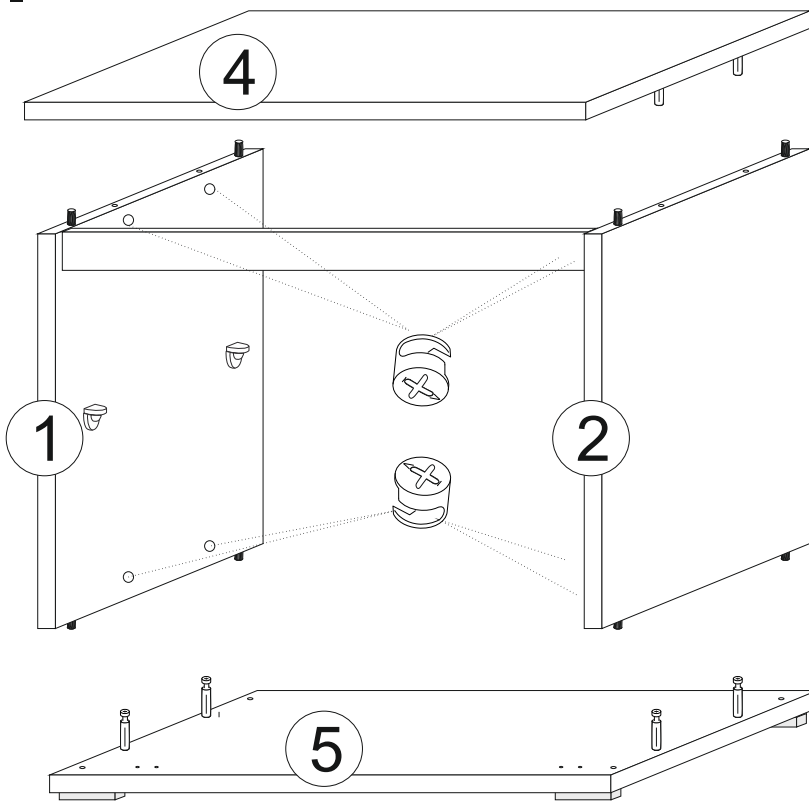




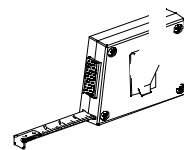
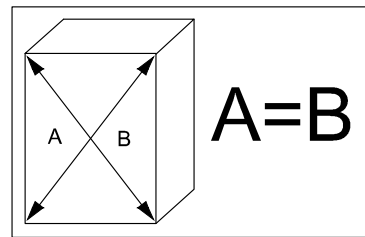
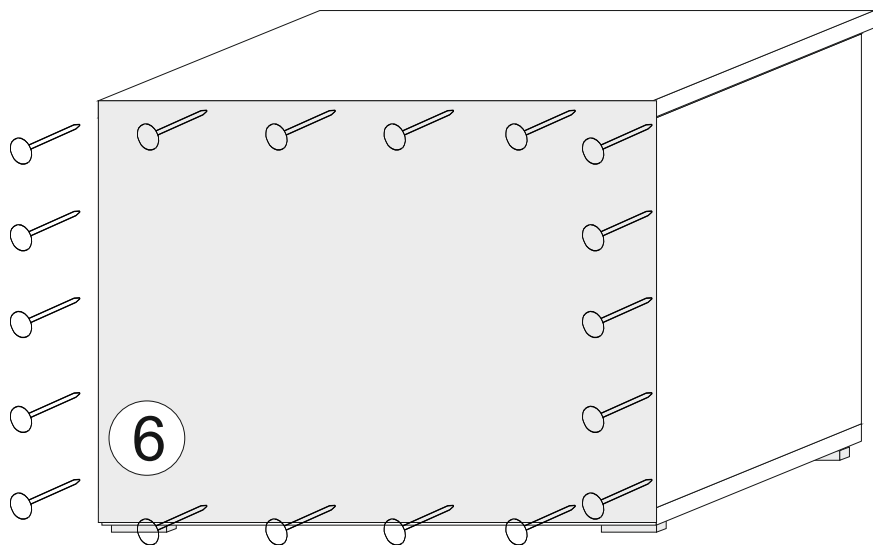
II



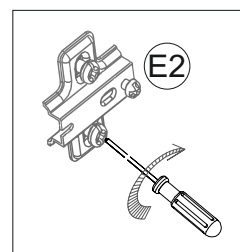
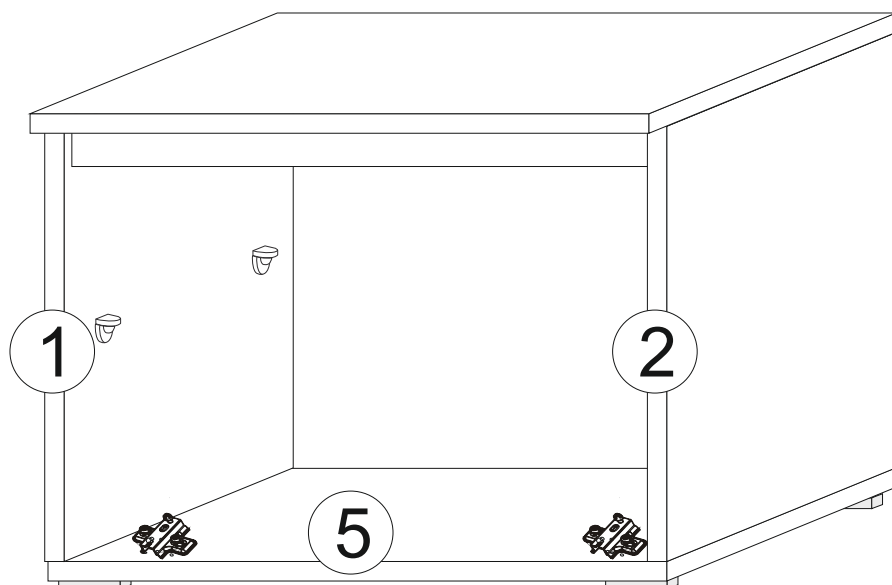
III



# IV

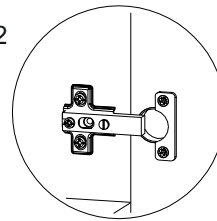
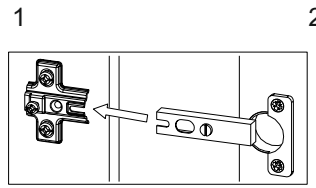
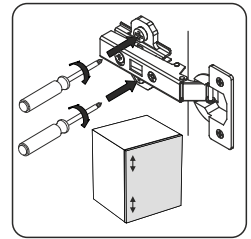
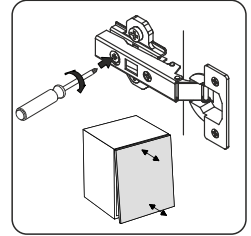
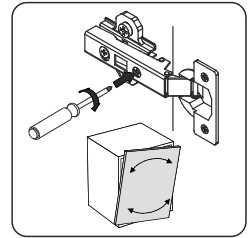
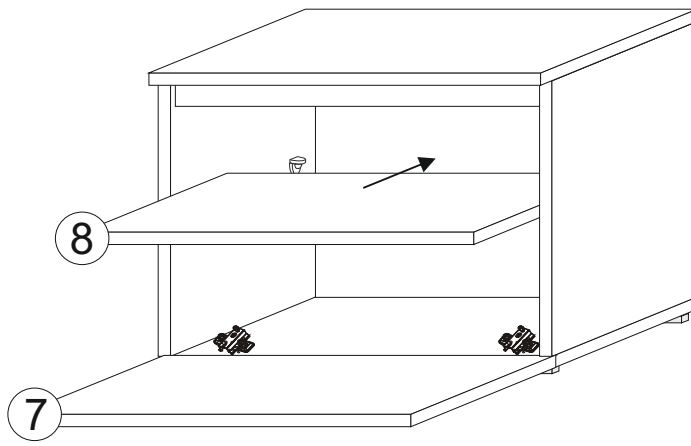


# V

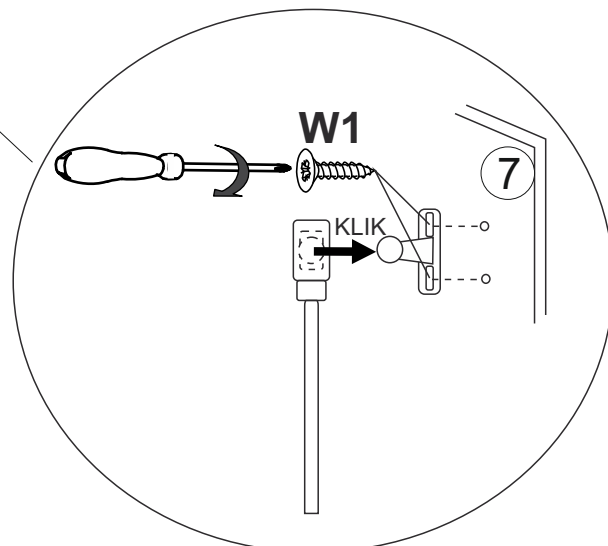
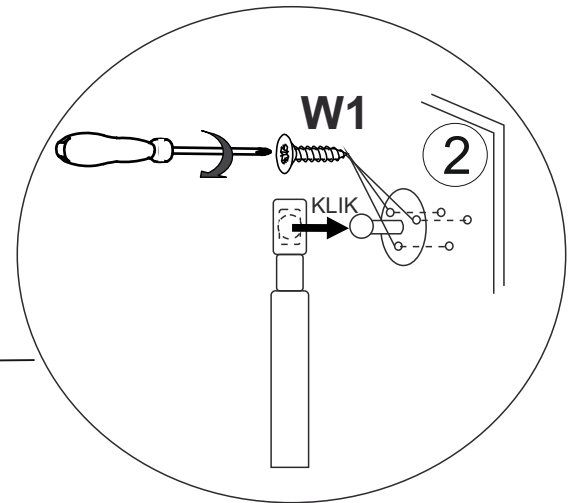
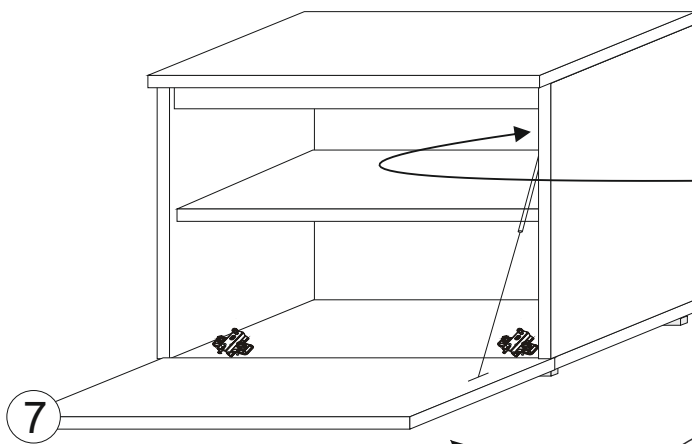


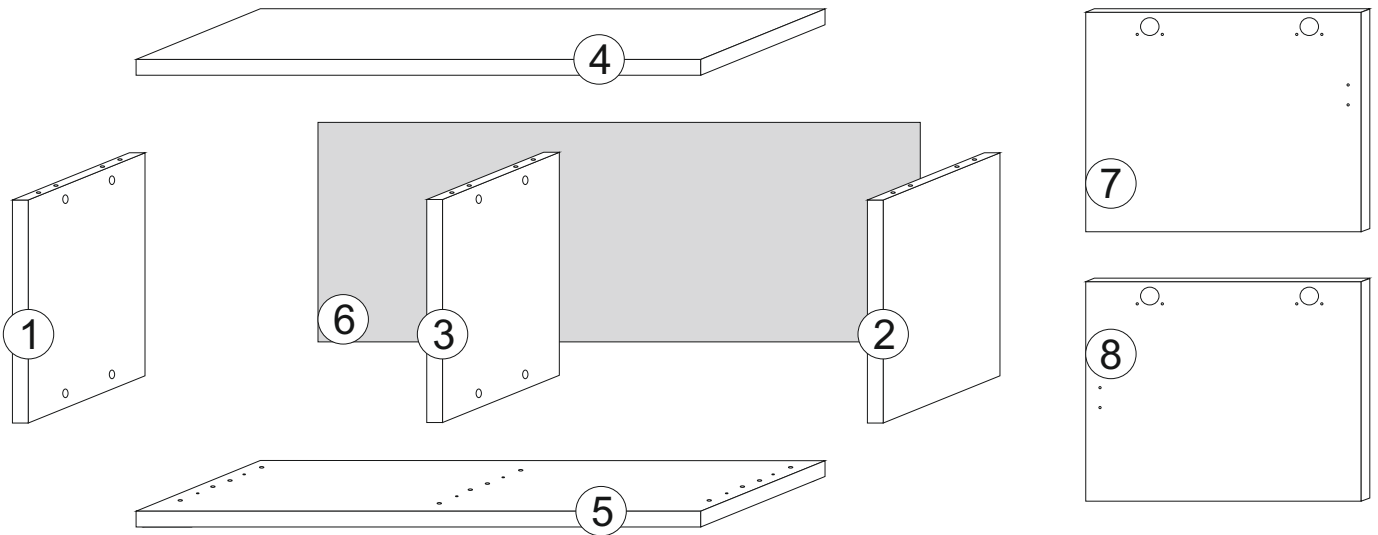
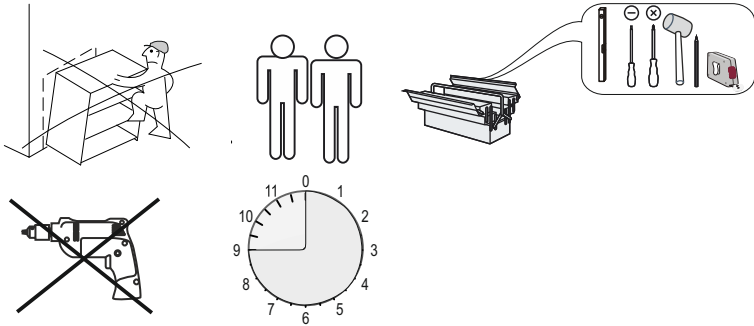
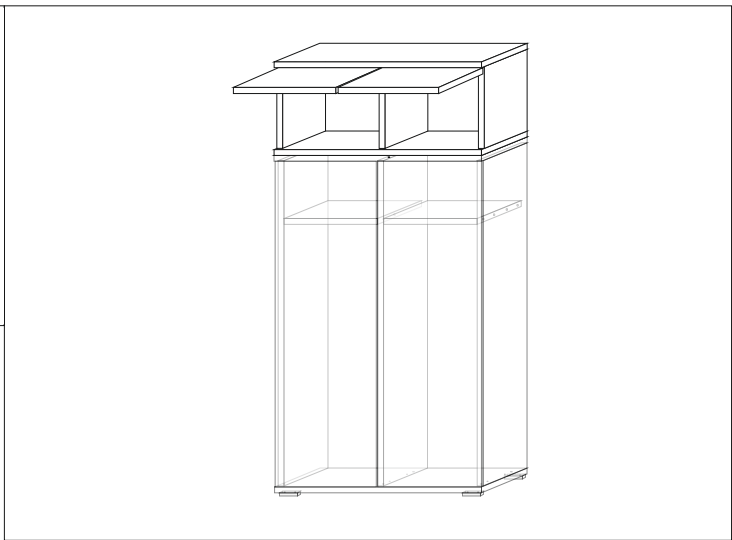
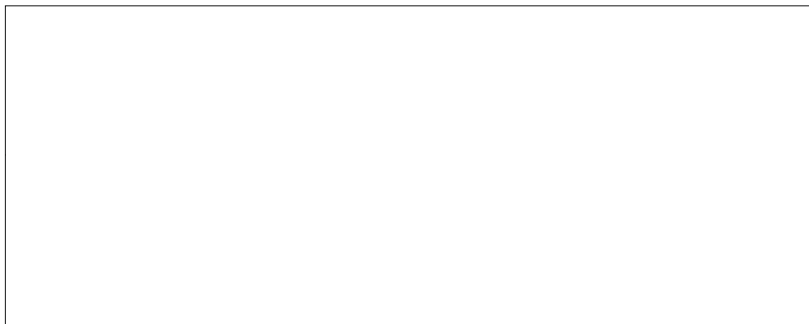


# VI



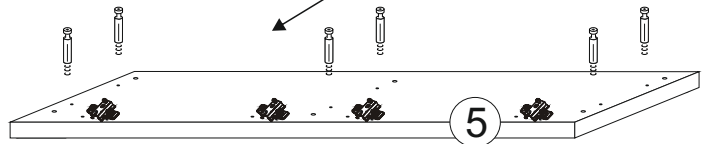
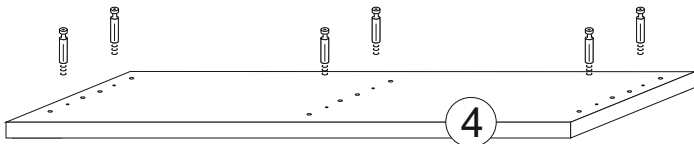
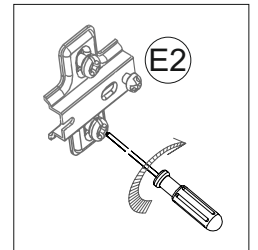
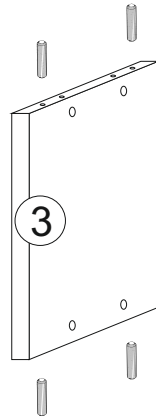
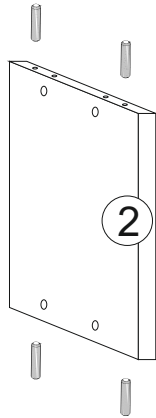
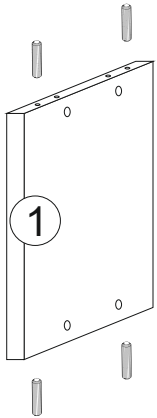
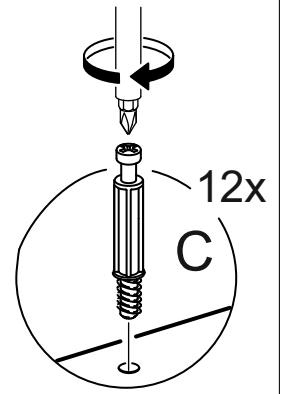
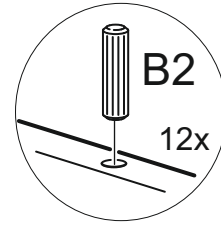
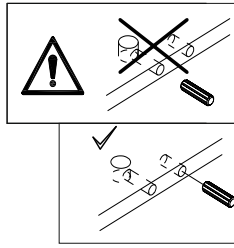
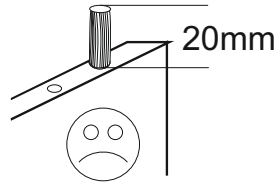
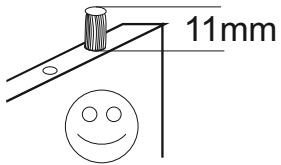
# VII



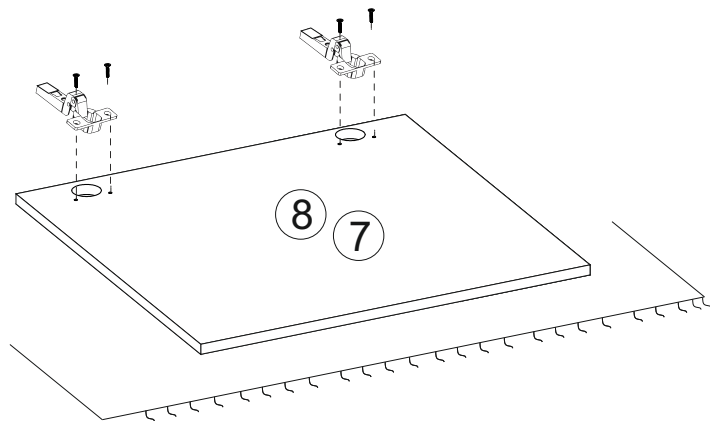
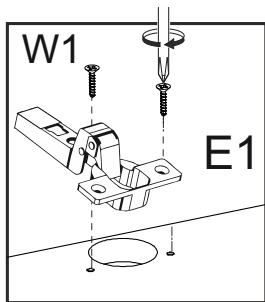


<b>W</b>  x2	<b>B1</b>  8x35mm x12	<b>B2</b>  8x30mm x6	<b>C</b>  x12	<b>D</b>  x12
<b>E1</b>  x4	<b>E2</b>  x4	<b>W1 3,5x16</b>  x22	 x1	<b>H</b>  x2
<b>A</b>  x1	<b>M</b>  x30			

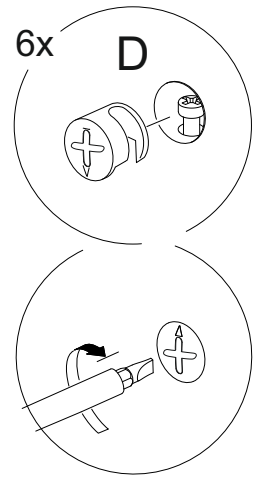
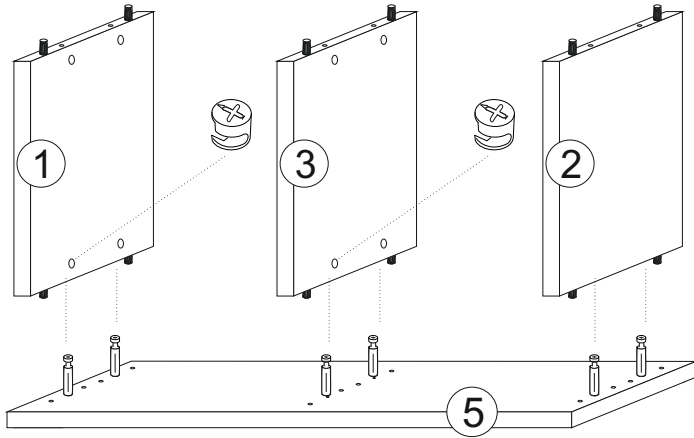
I



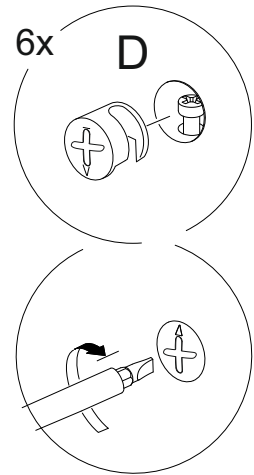
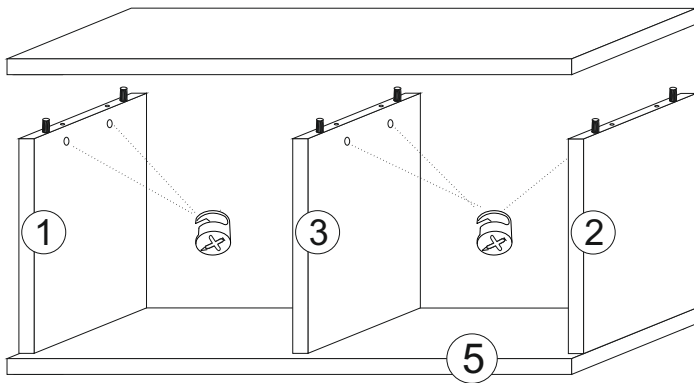
II



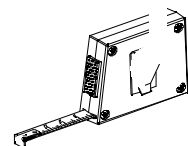
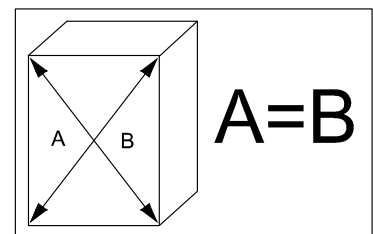
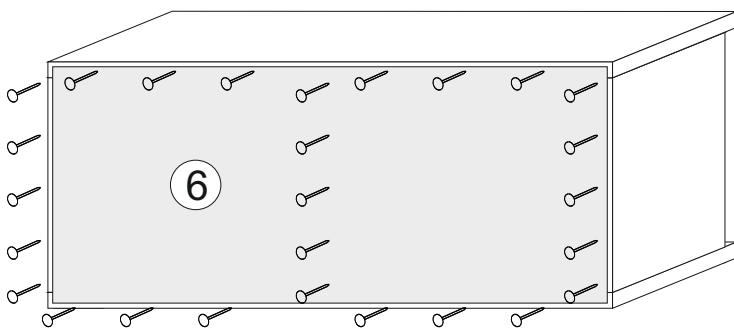
# III



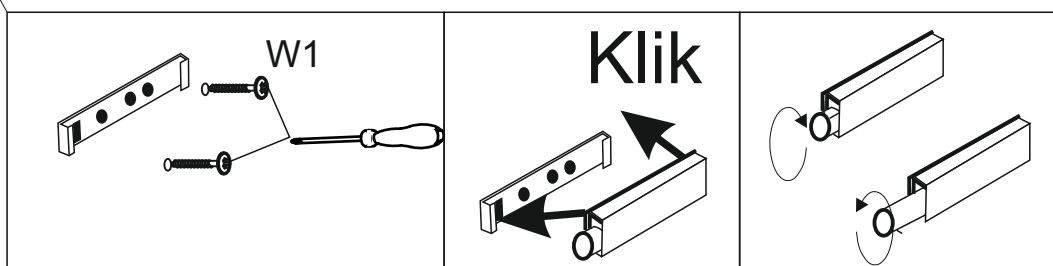
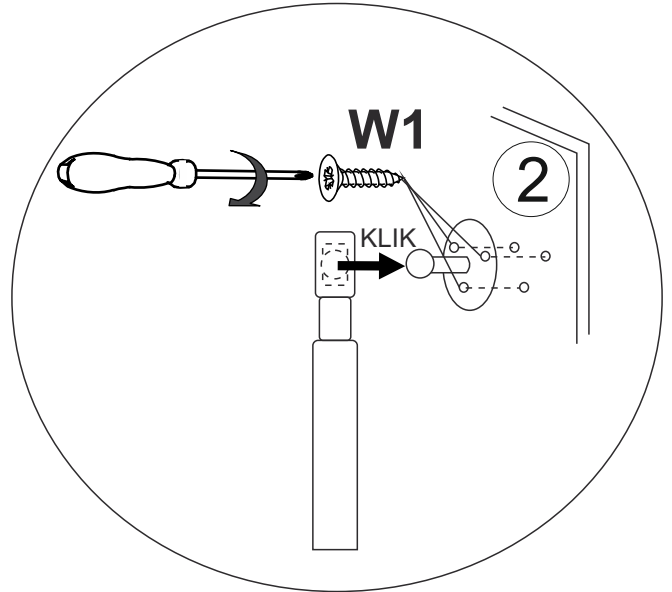
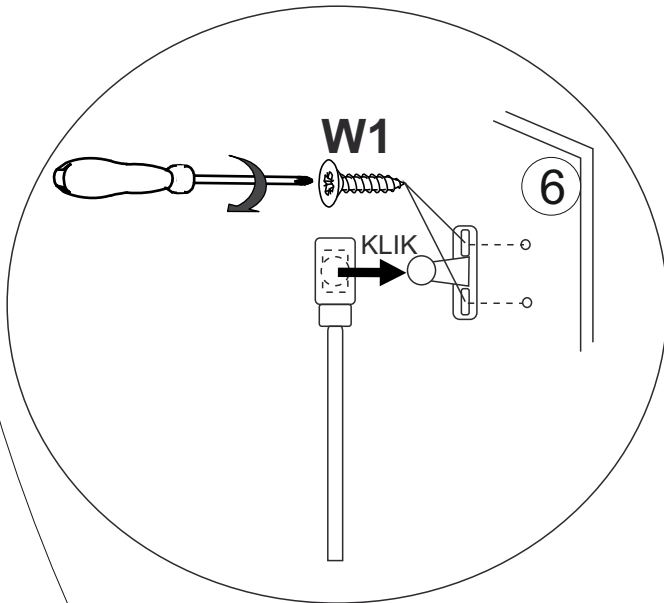
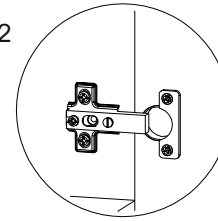
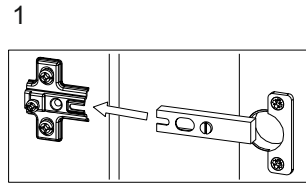
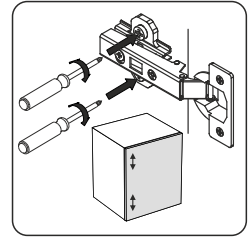
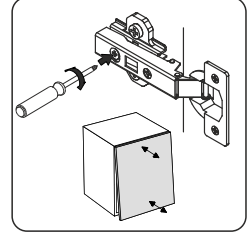
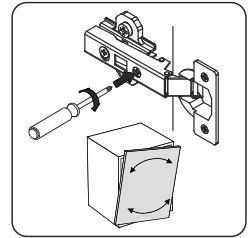
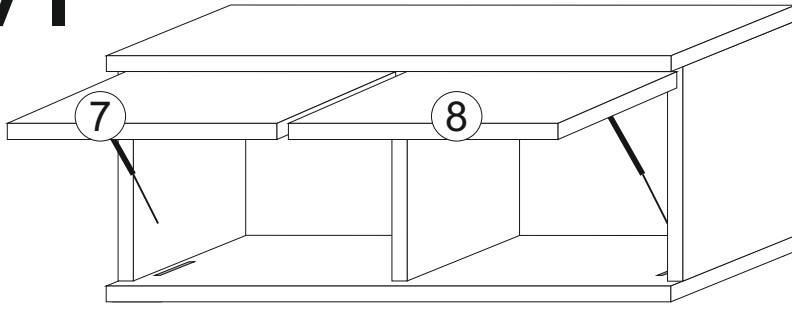
# IV



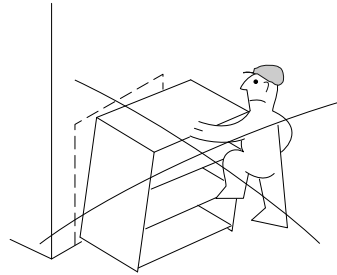
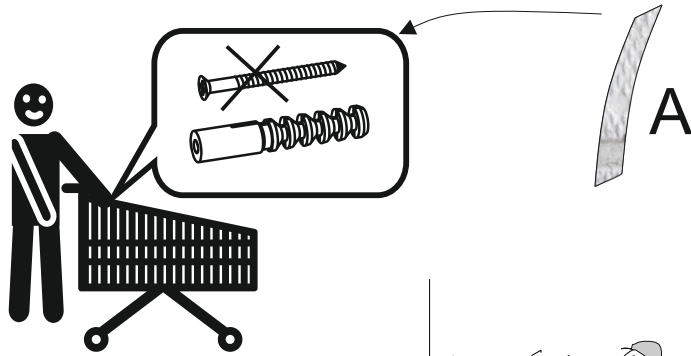
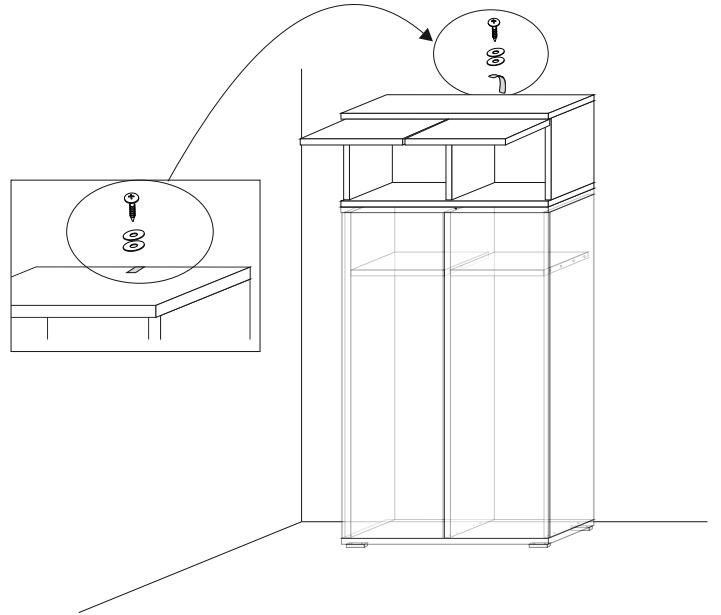
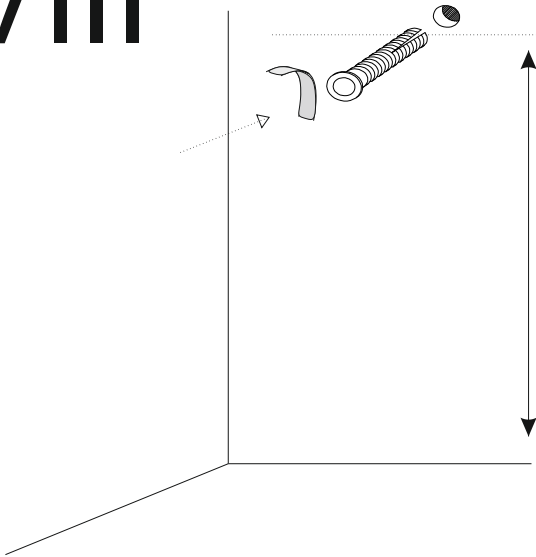
# V



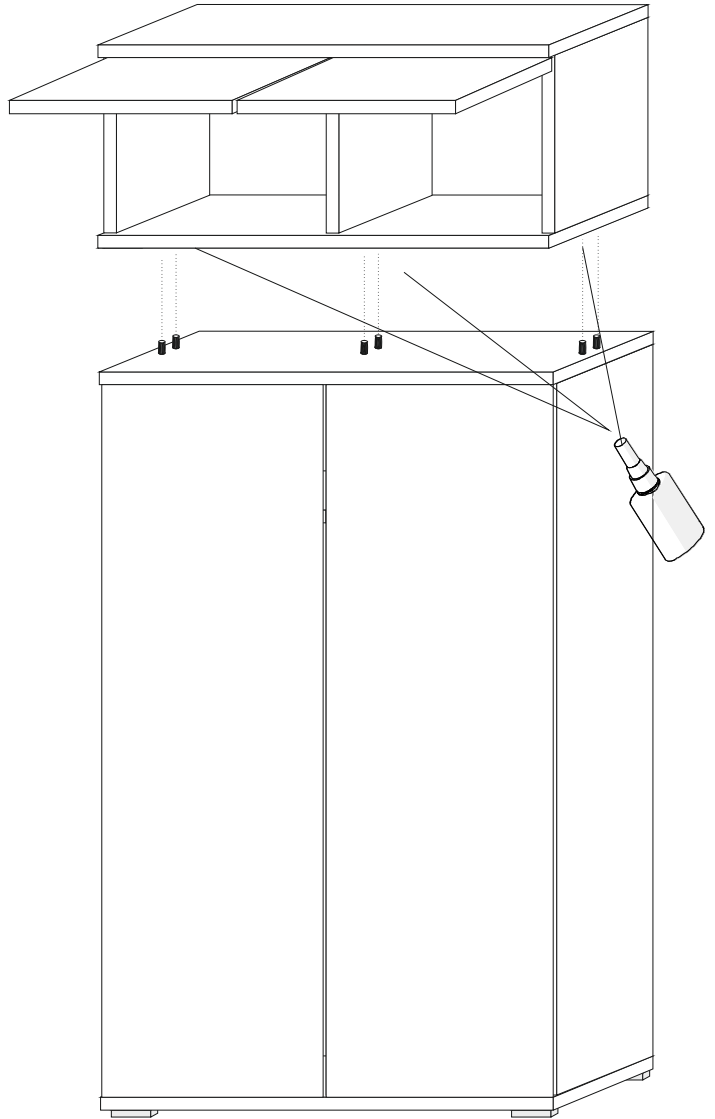
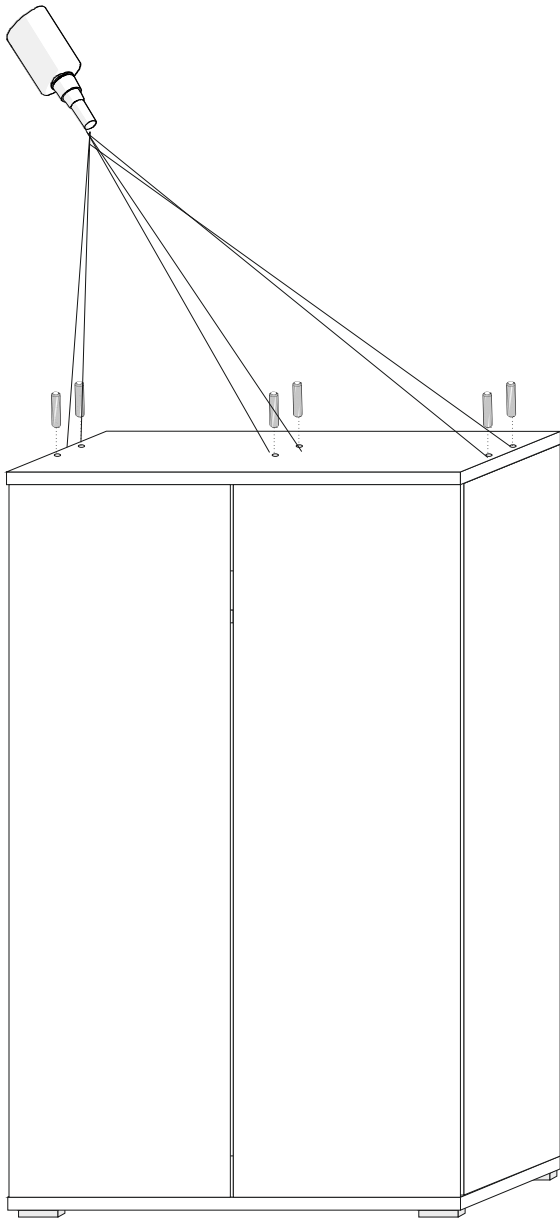
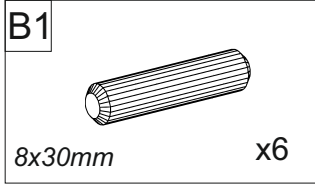
# VI

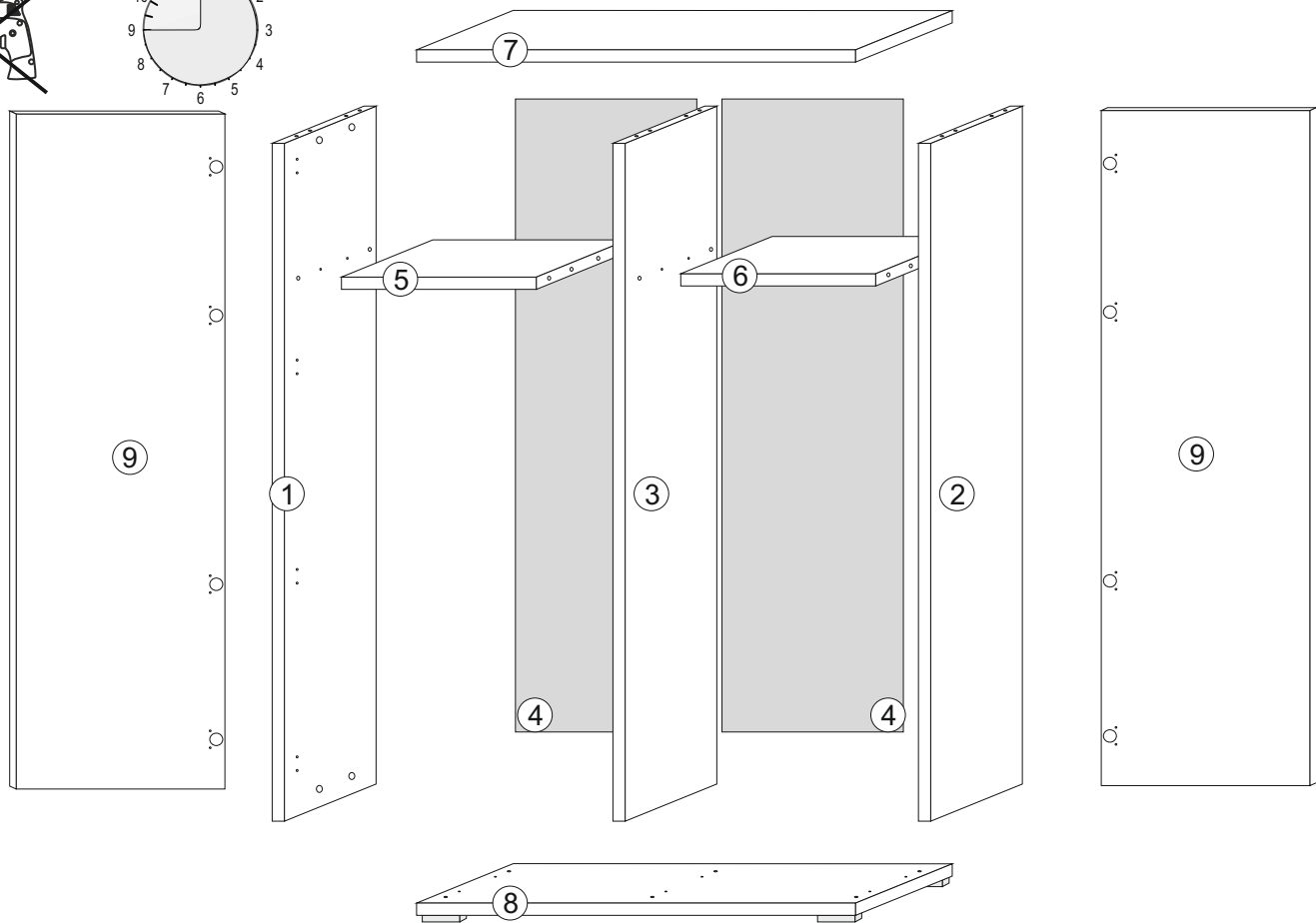
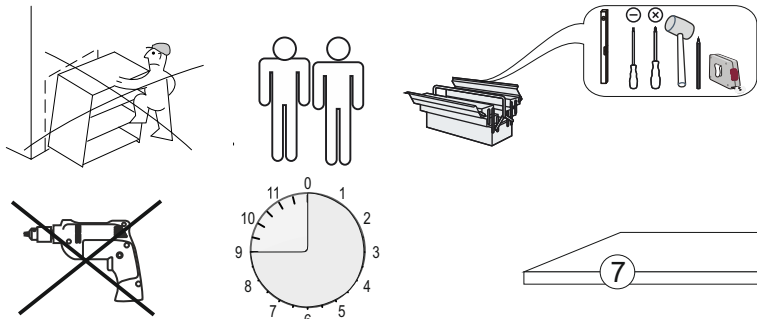
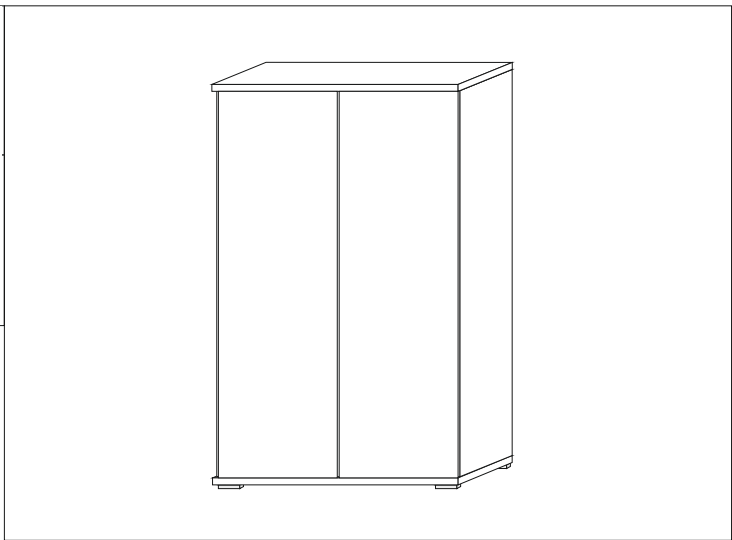
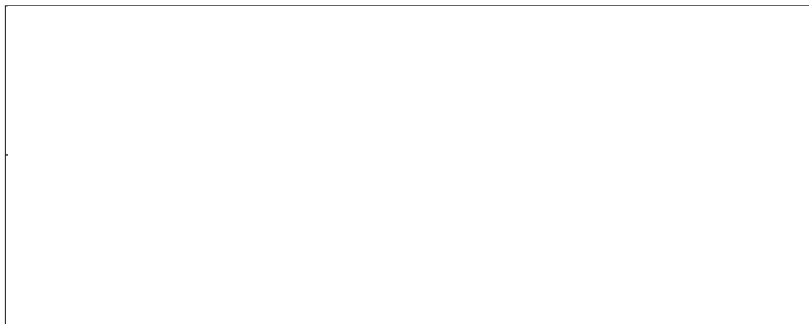


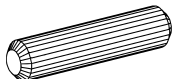
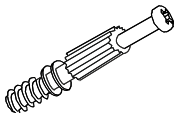
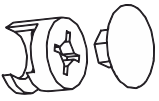
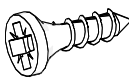

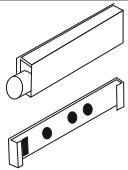
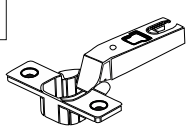
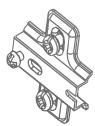
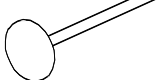
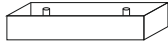
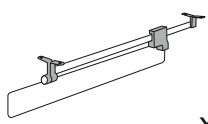
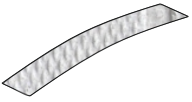
# VIII



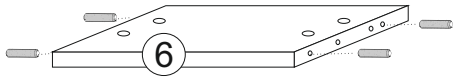
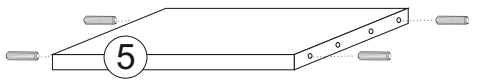
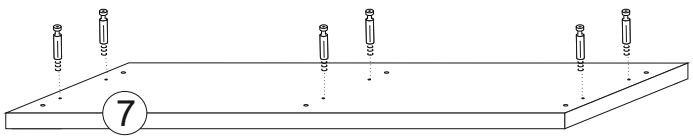
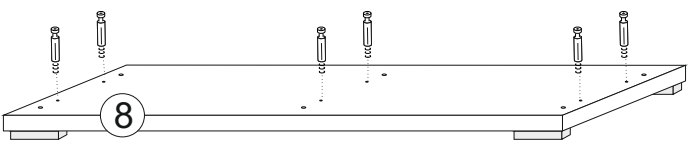
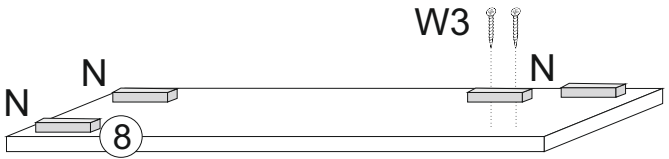
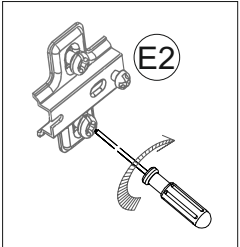
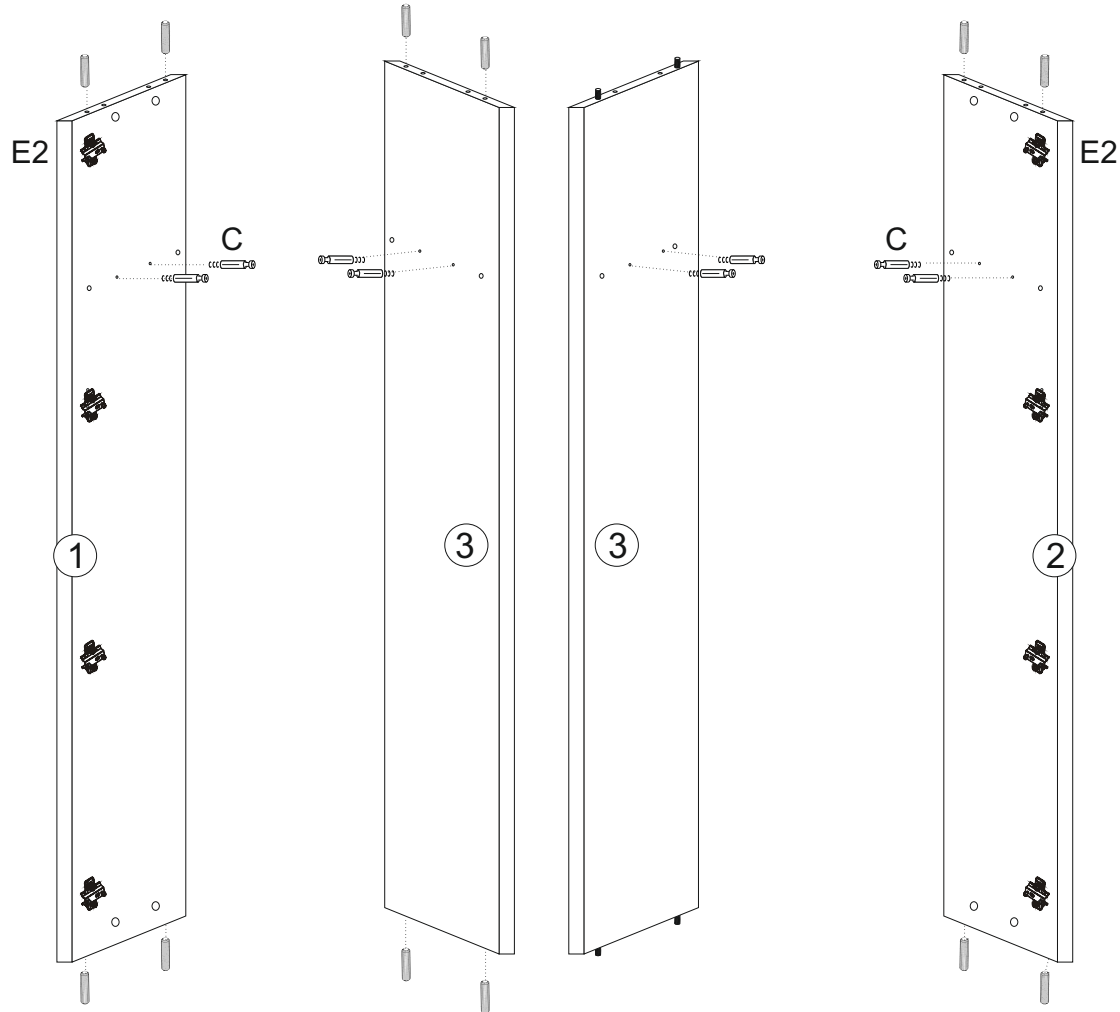
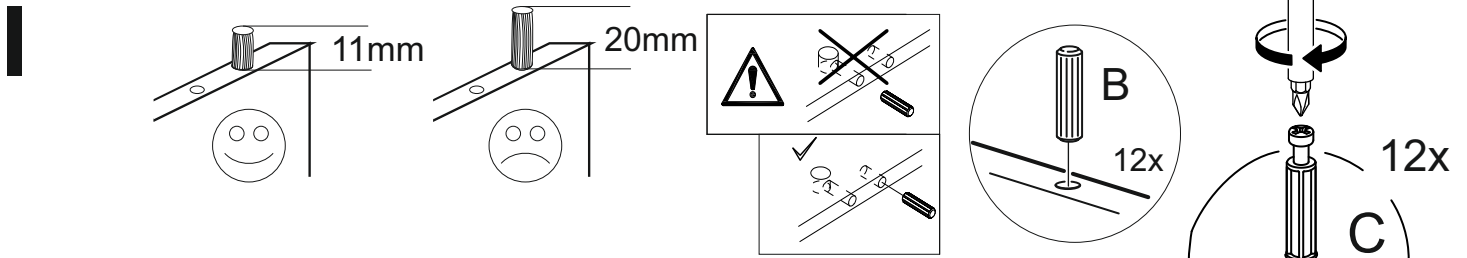
# VII



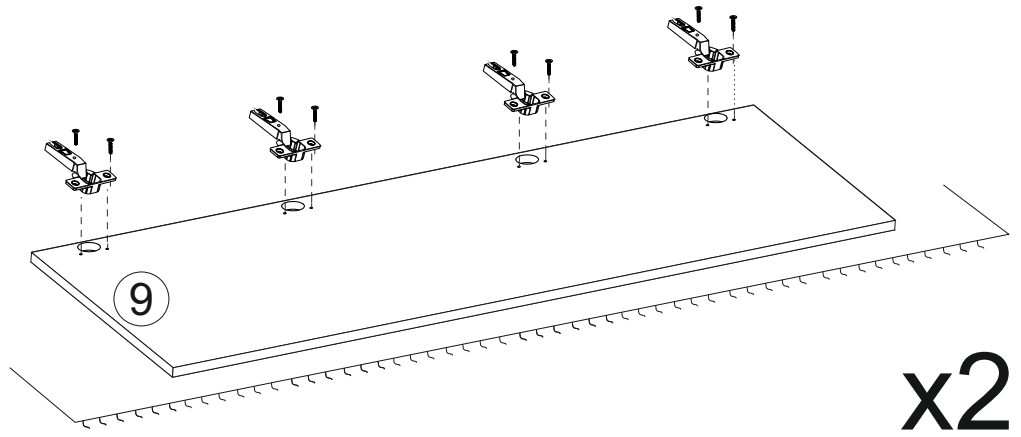
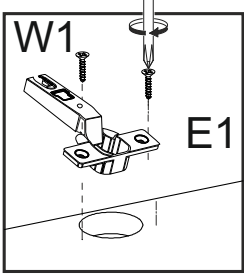


<b>B</b>  x12	<b>C</b>  x12	<b>D</b>  x12	<b>W1 3.5x16</b>  x24	<b>W3 3.5x25</b>  x8
<b>W</b>  x2	<b>E1</b>  x8	<b>E2</b>  x4	<b>G</b>  	<b>N</b>  x4
<b>K</b>  x2	<b>A</b>  x1			

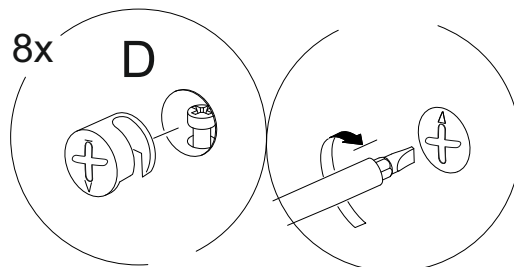
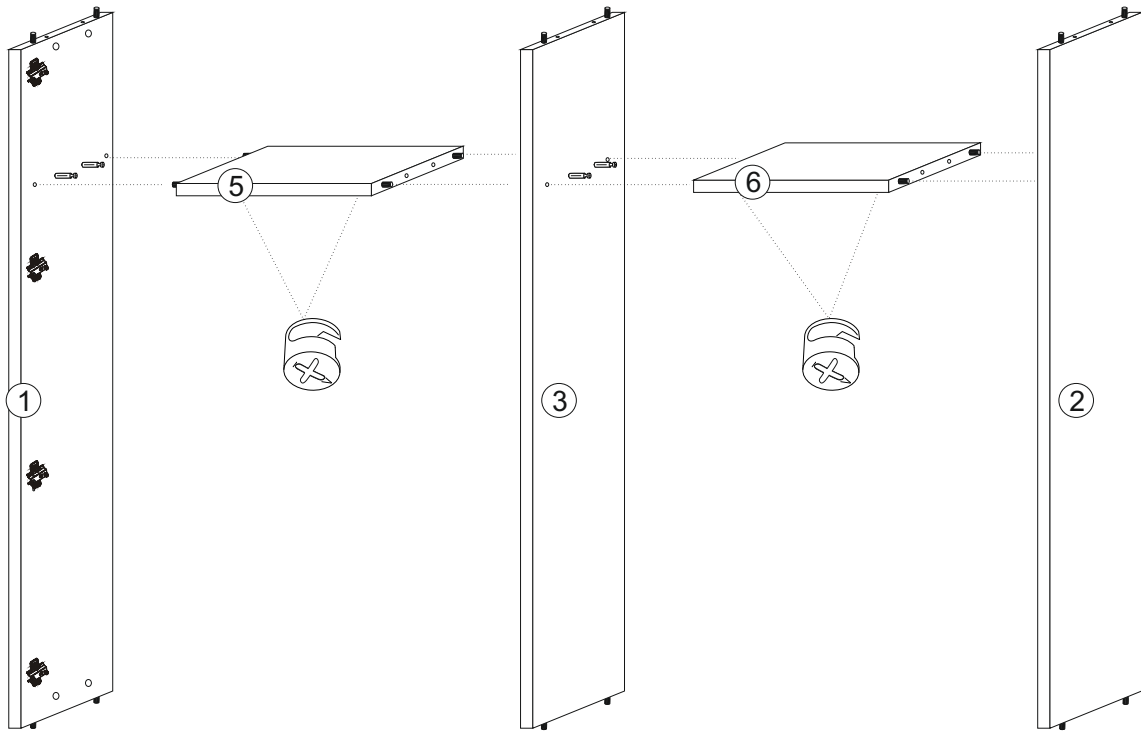




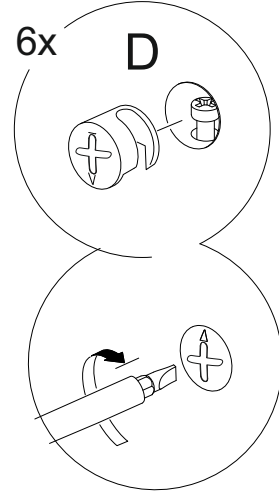
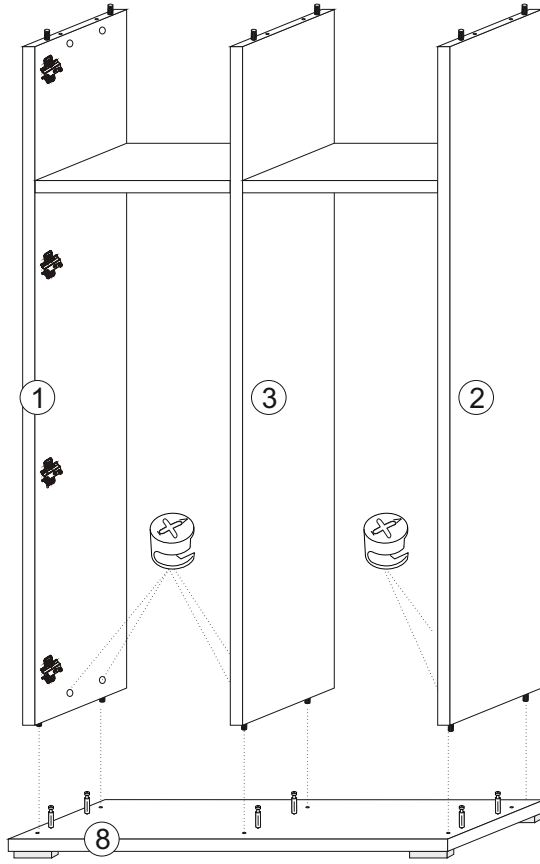
II



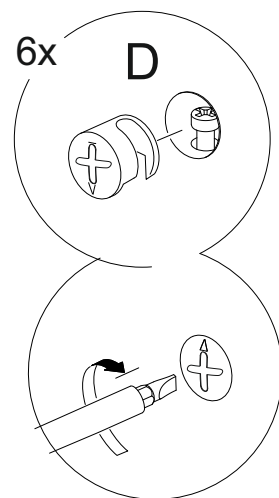
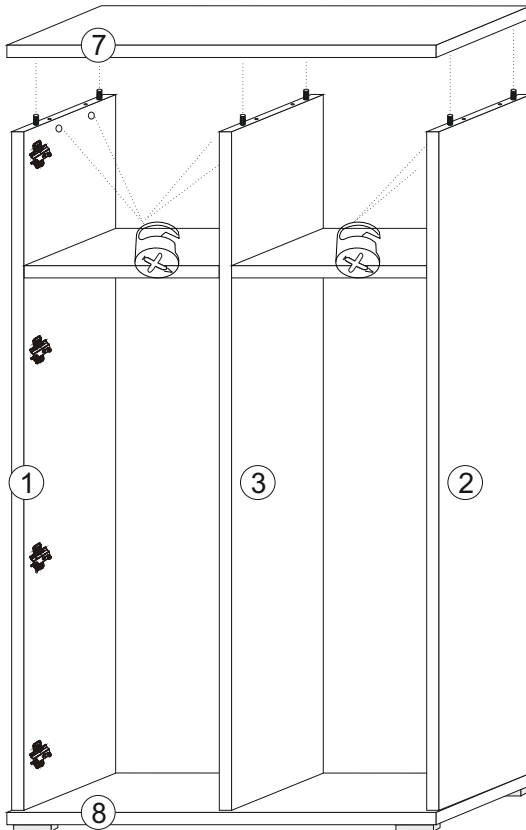
III



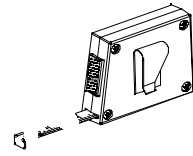
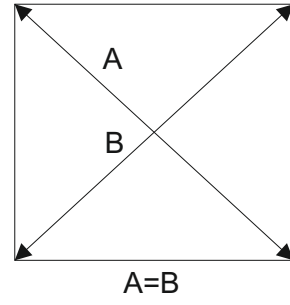
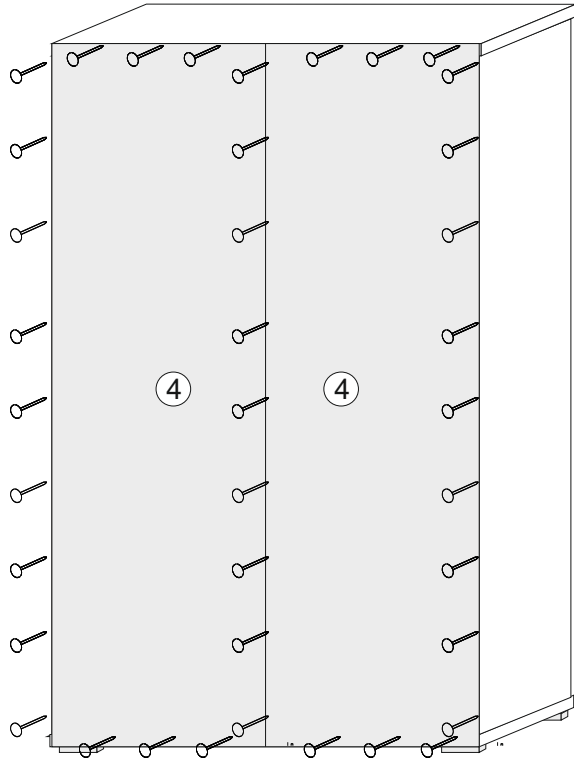
# IV



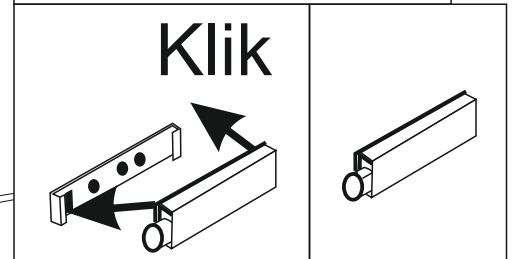
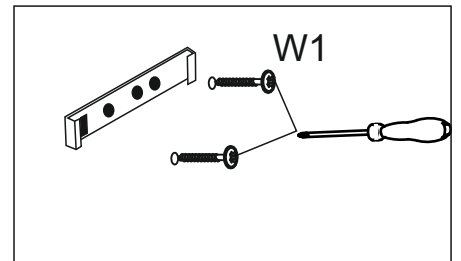
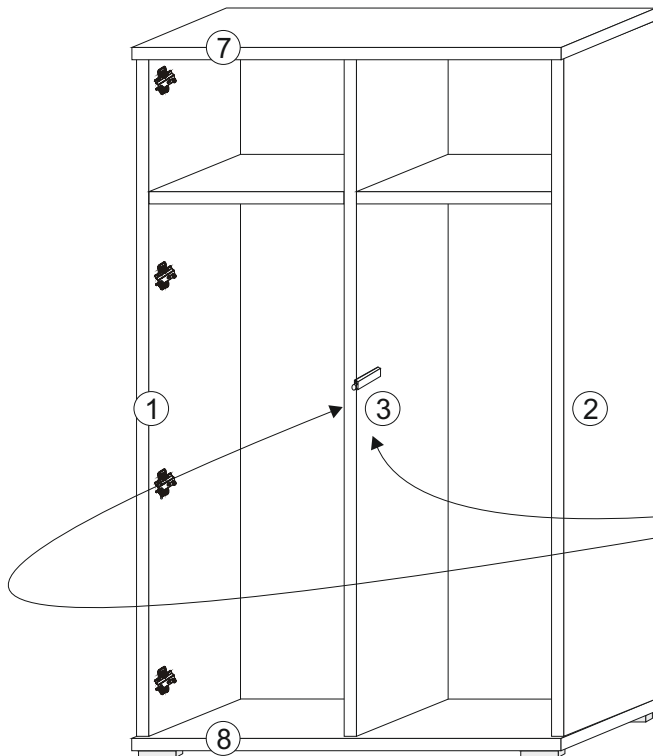
# V



# VI

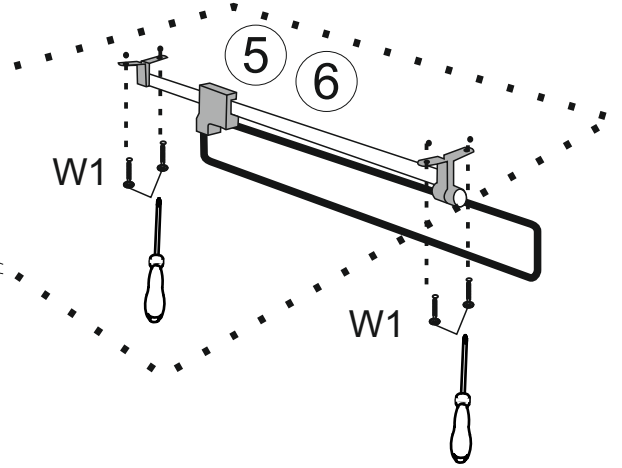
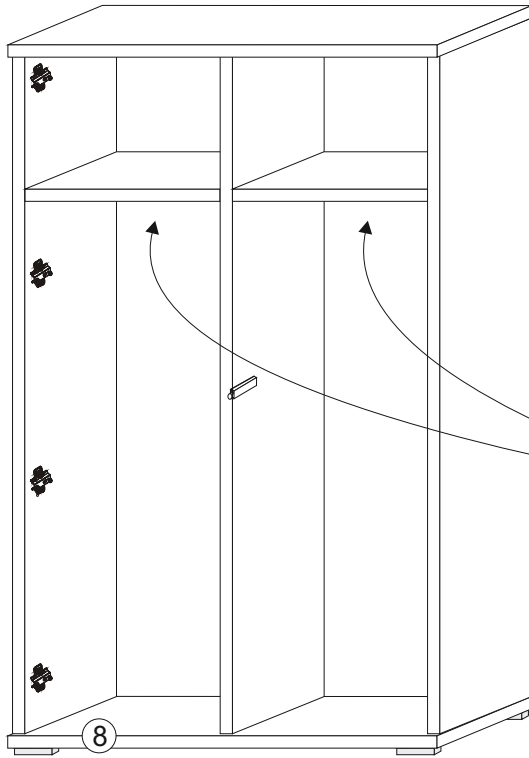


# VII

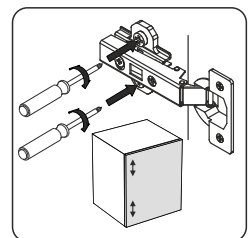
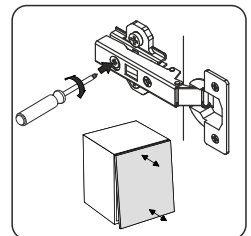
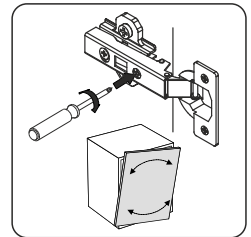
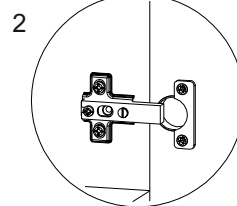
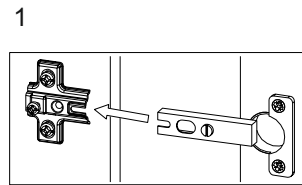
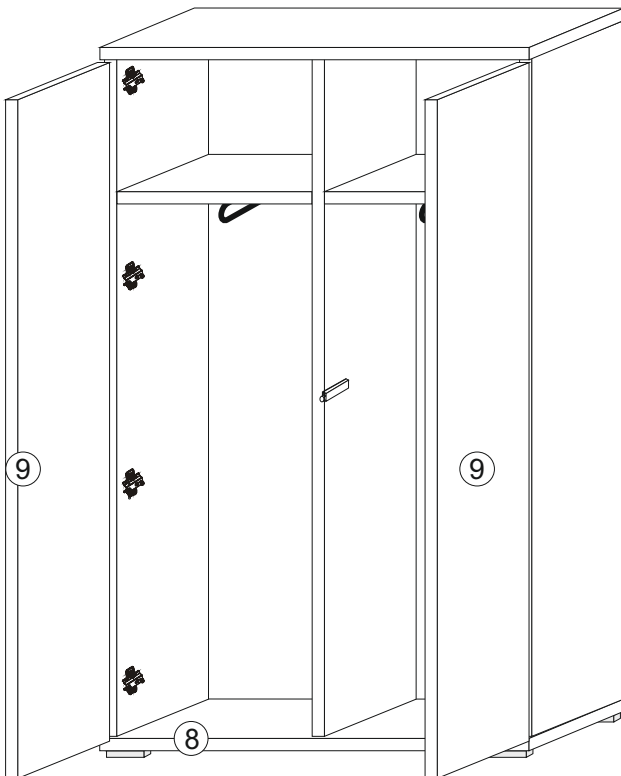


x2

# VIII



# IX



**X**

