
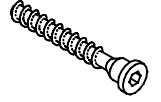



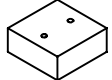


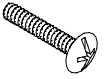
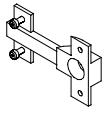
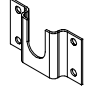
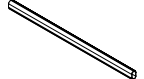
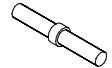
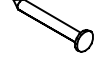

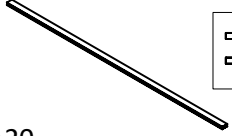

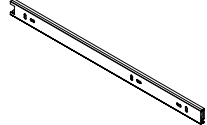


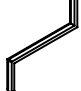

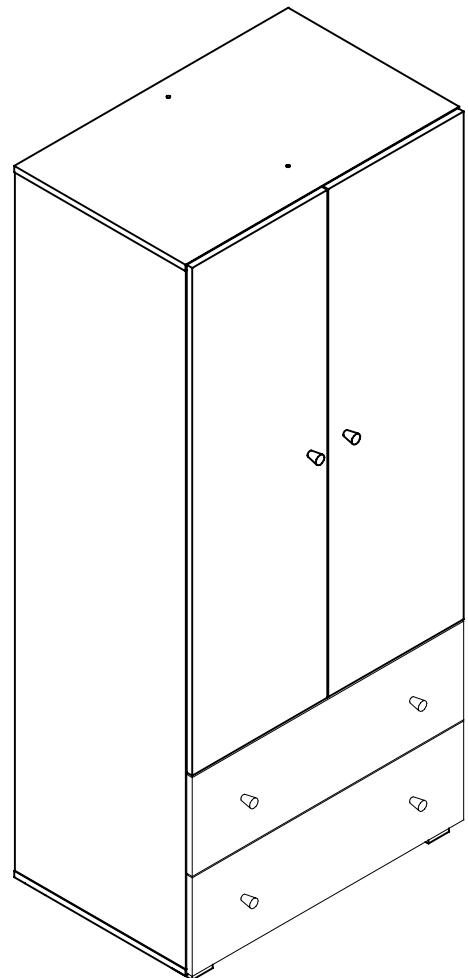
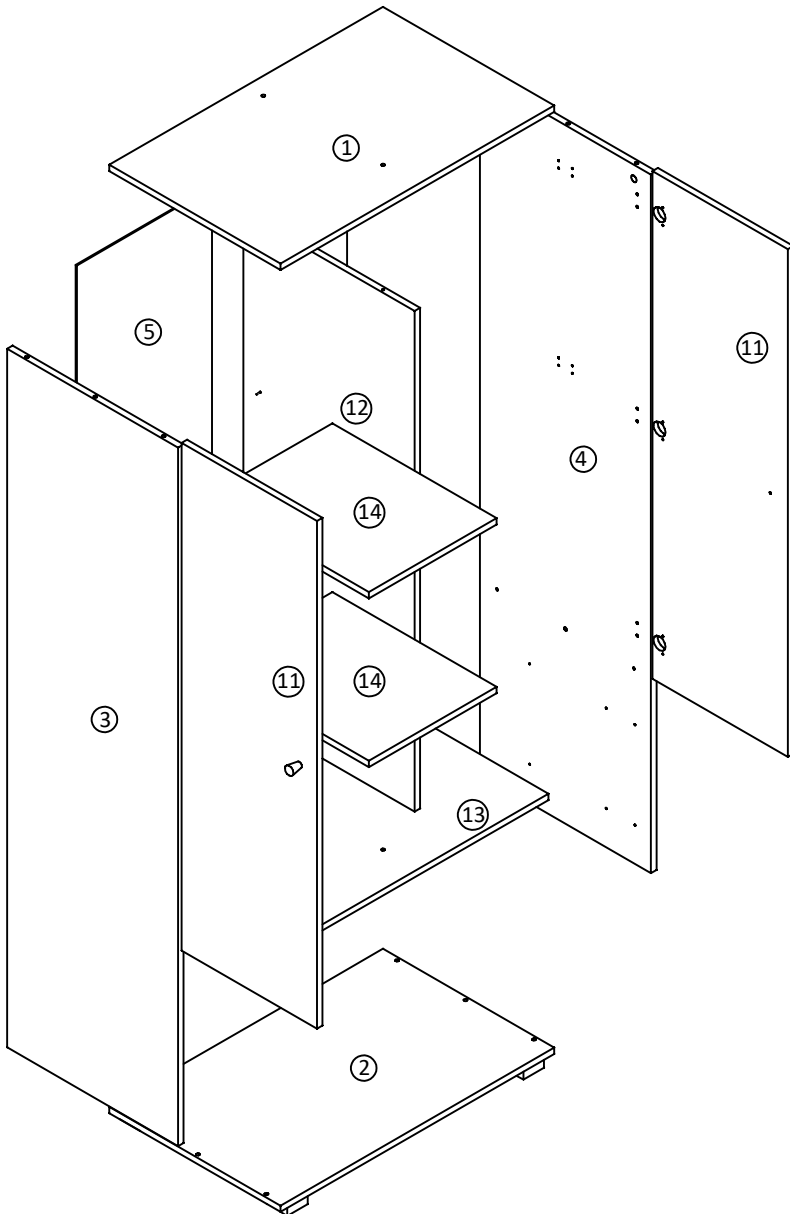
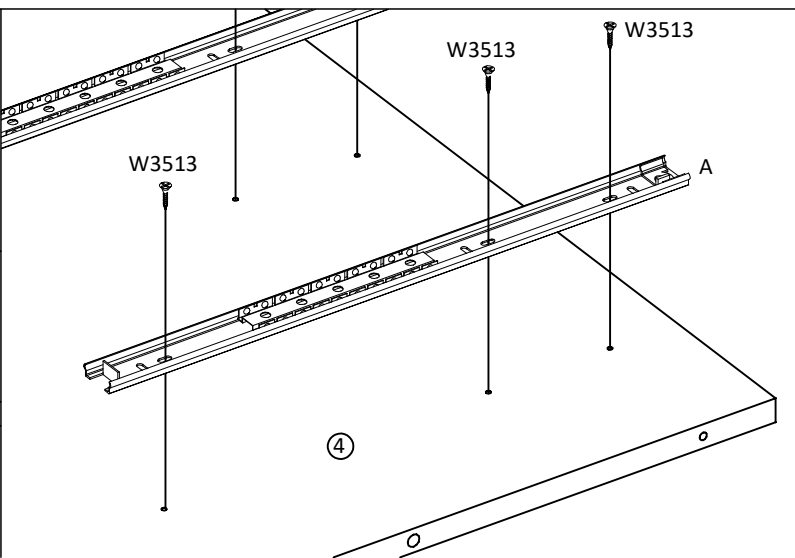
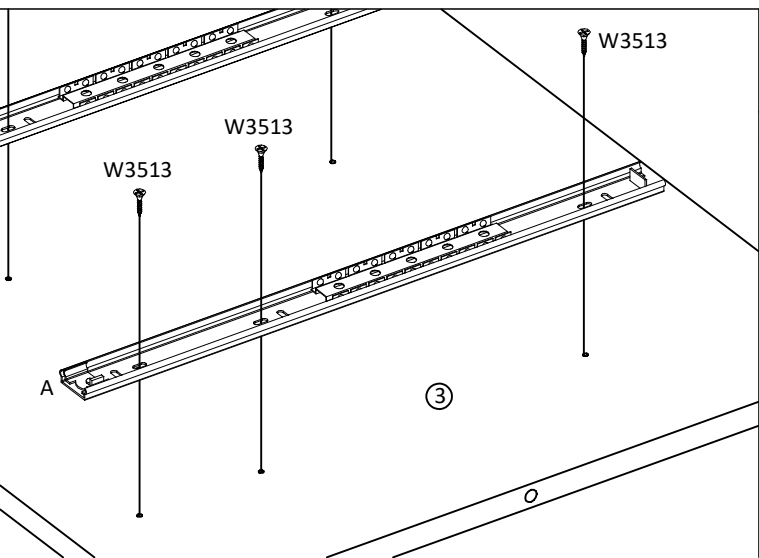
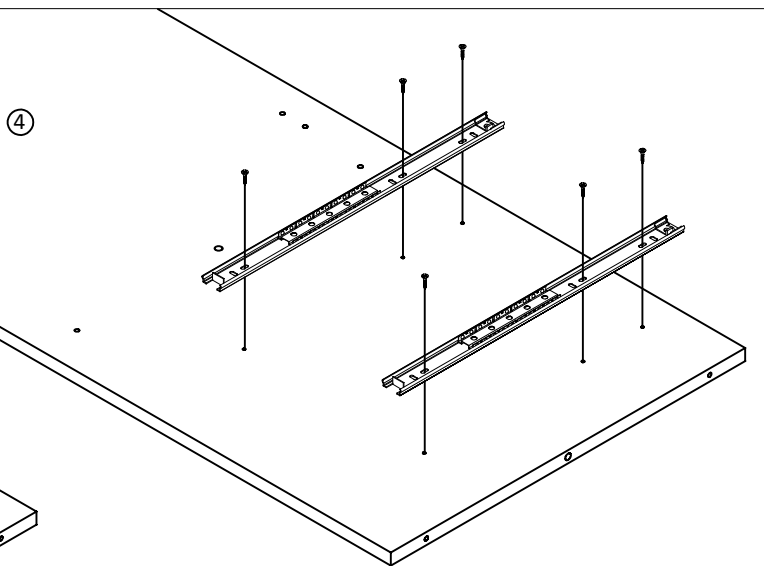
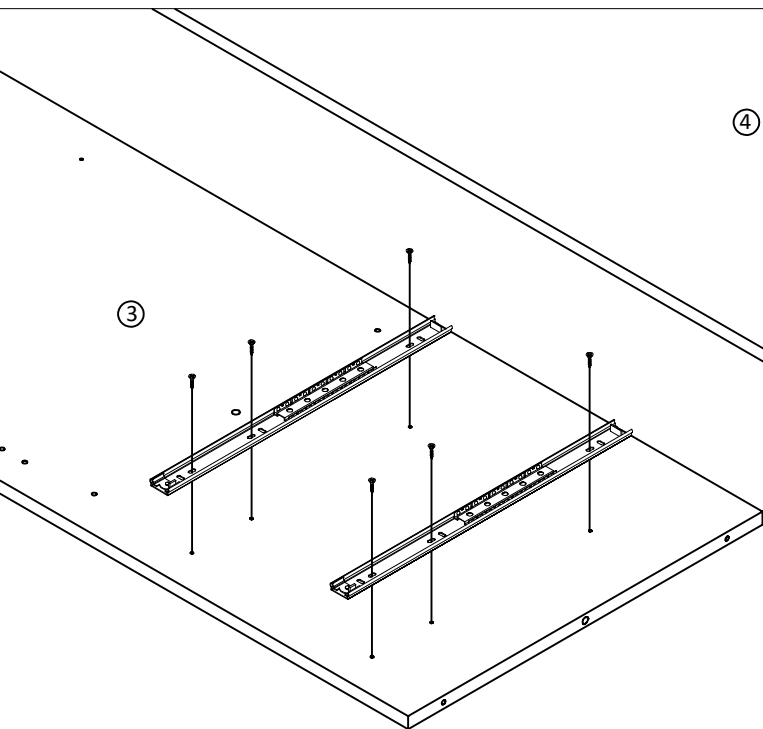
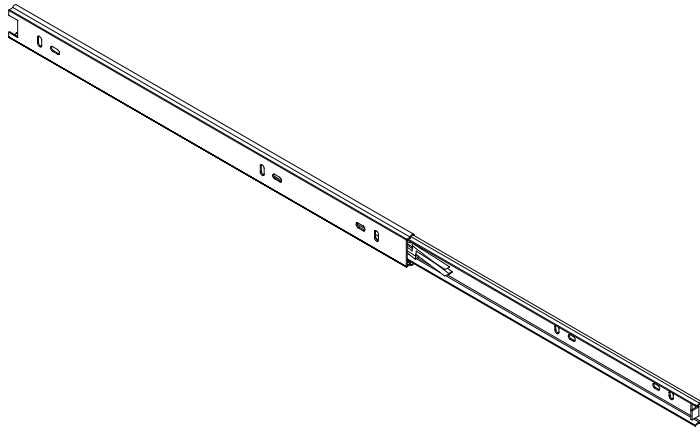
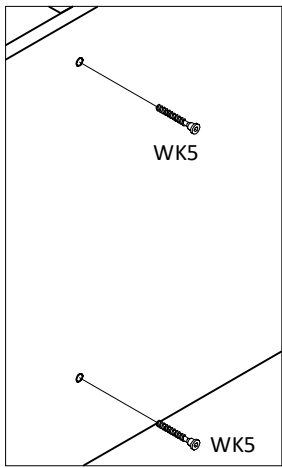
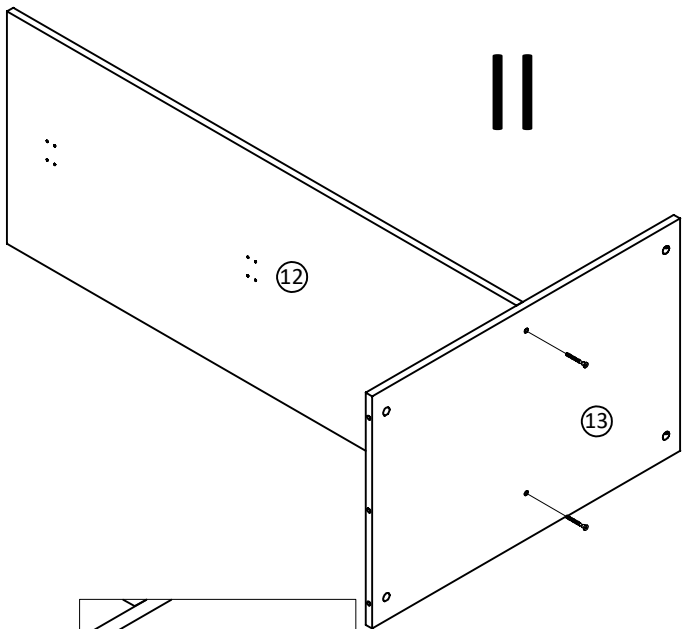
 MT	x16	 M	x16	 7x50 WK5	x16	 8x30 D8	x6	 3.5x16 W3516	x13	 3.5x13 W3513	x40	 S2	x4	 3.5x30 W3530	x8
 U5	x6	 M4x25 SU5	x6	 ZP	x6	 D0	x4	 D1	x2	 A04	x8	 A02	x40	 A09	x3
 A20	x1	 PK	x1	 PK	x4	 A06	x1	 A05	x1	 A01	x1	 A09/1	x3		



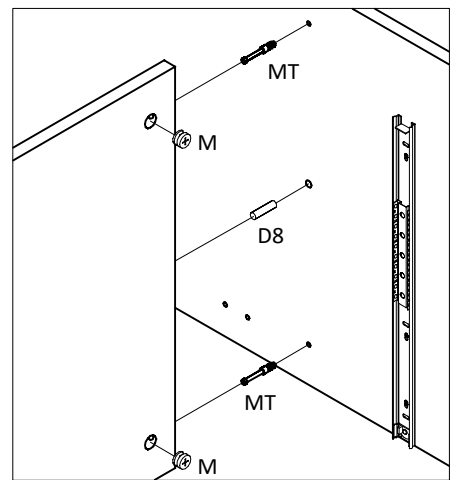
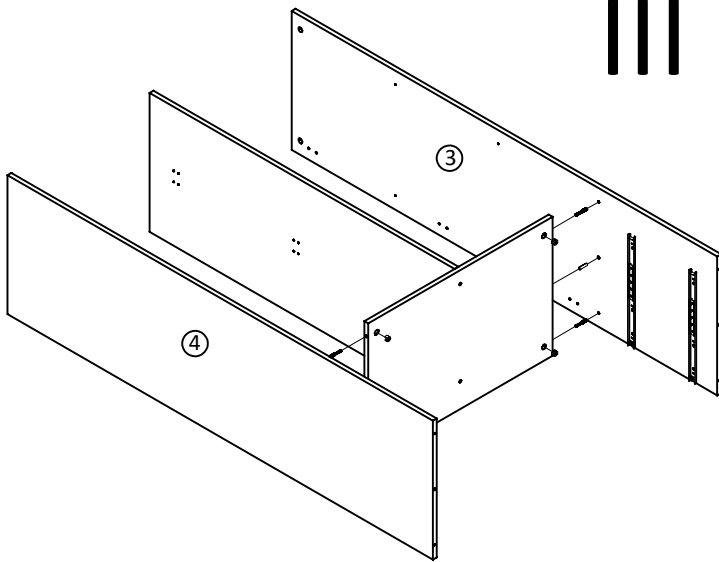
I



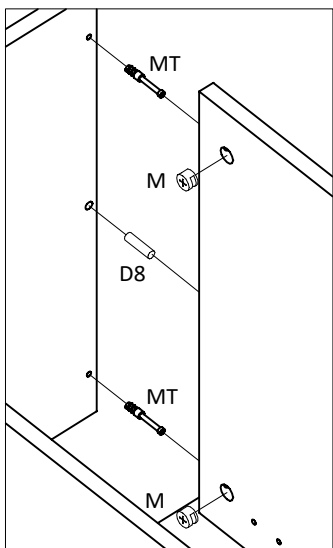
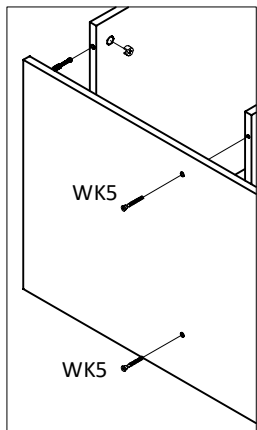
II



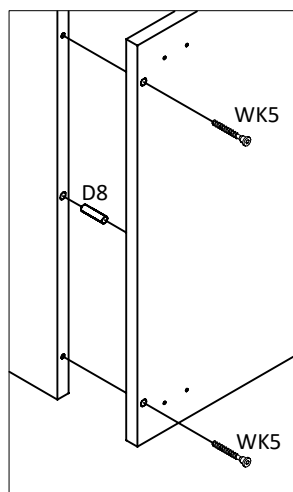
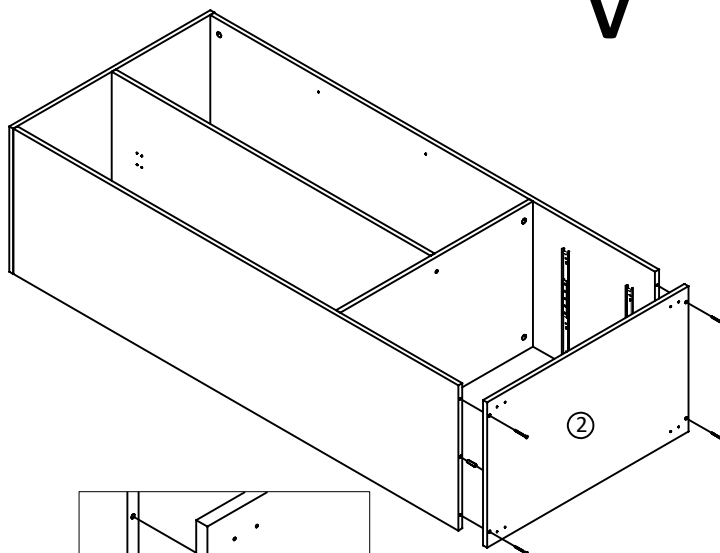
III



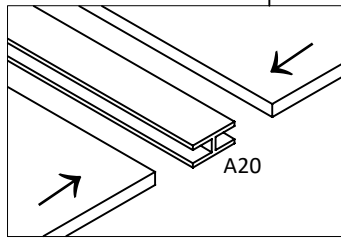
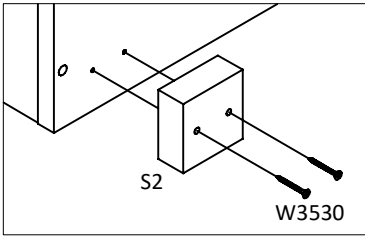
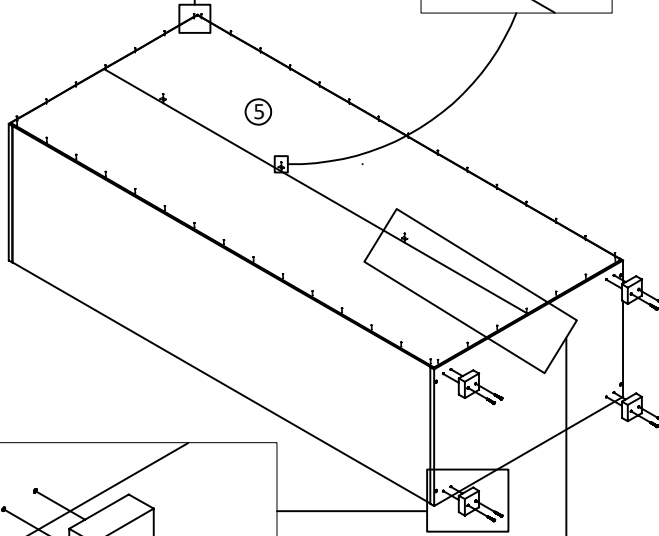
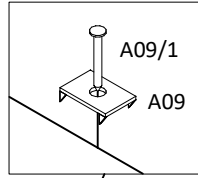
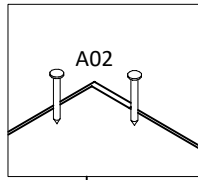
IV



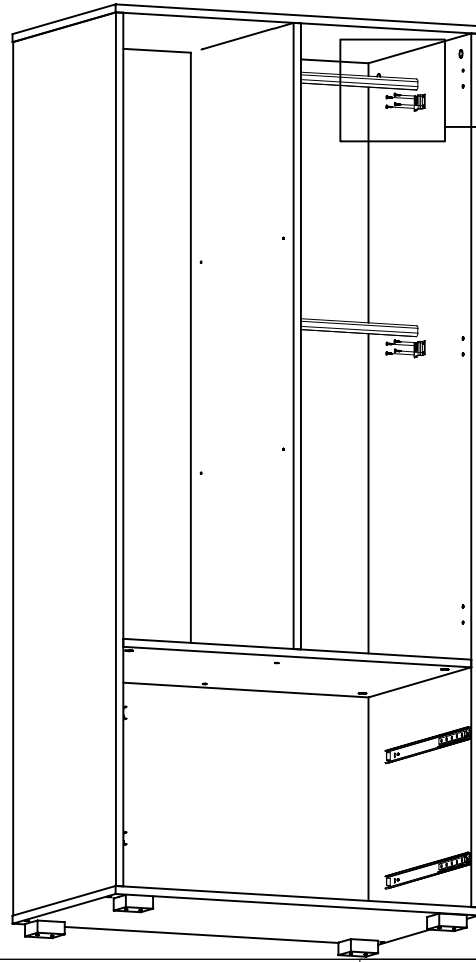
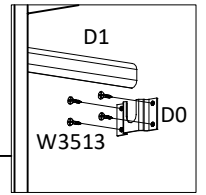
V



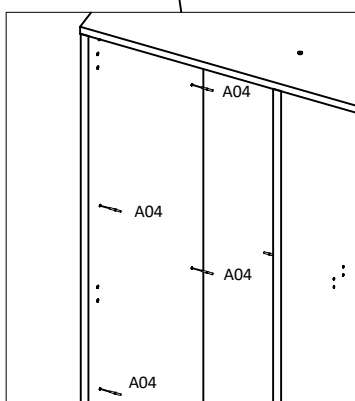
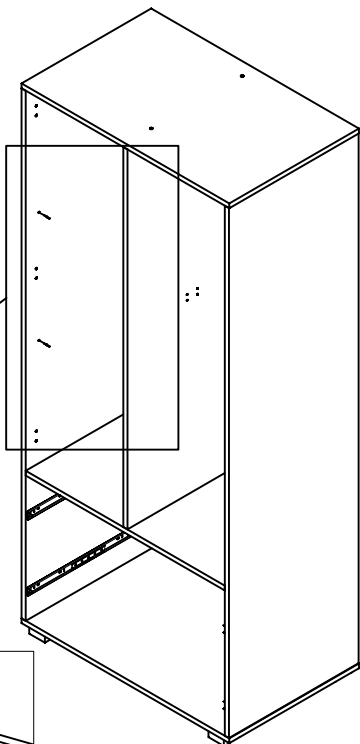
# VI



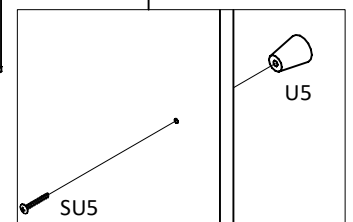
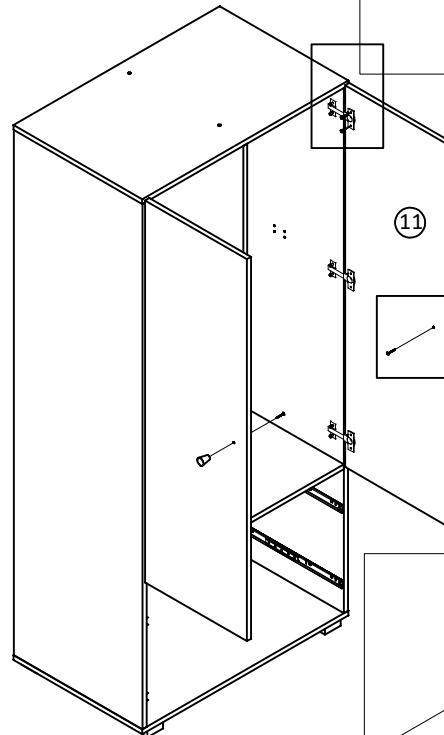
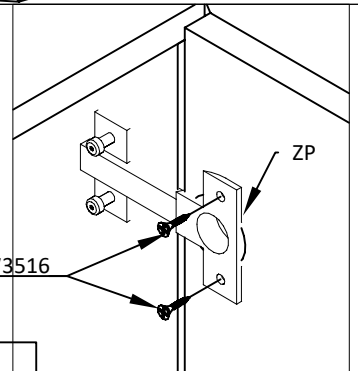
# VII



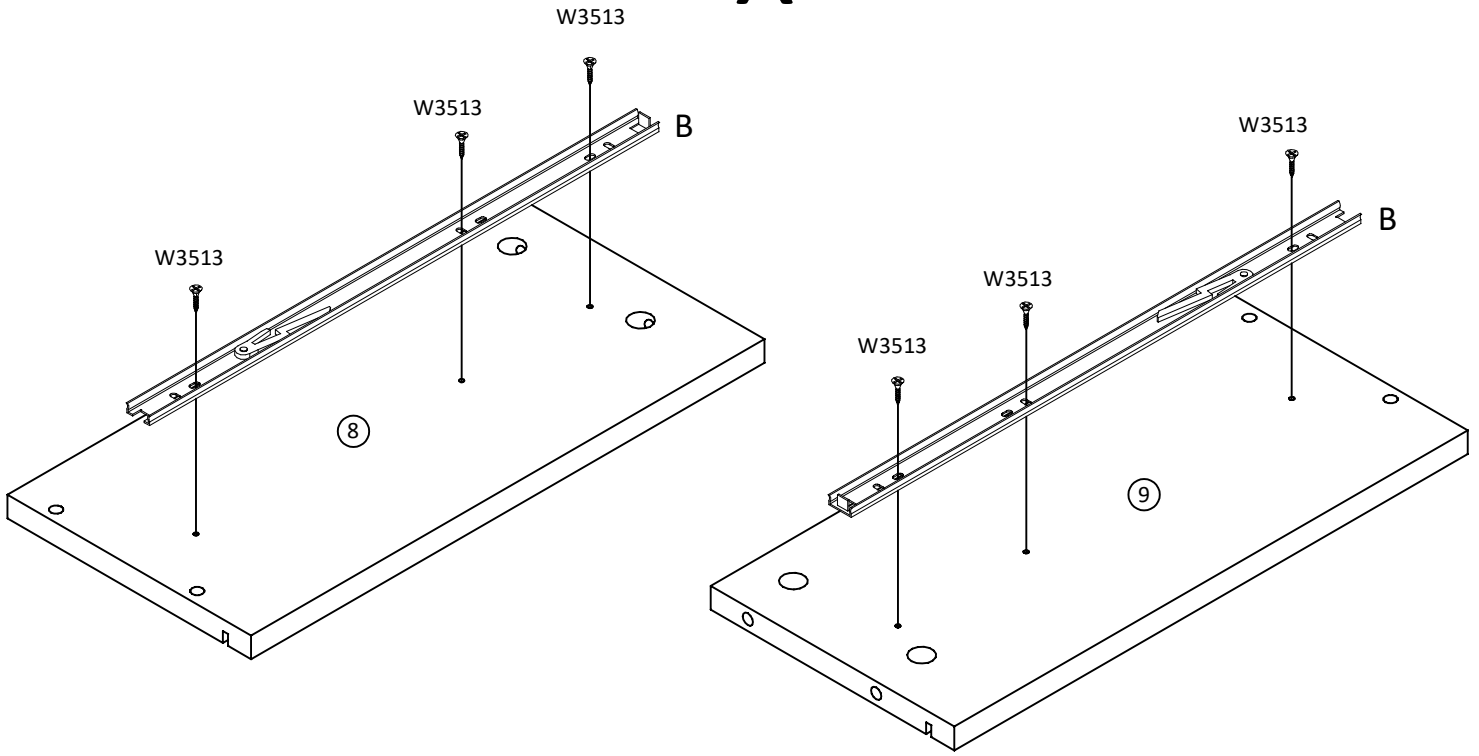
# VIII



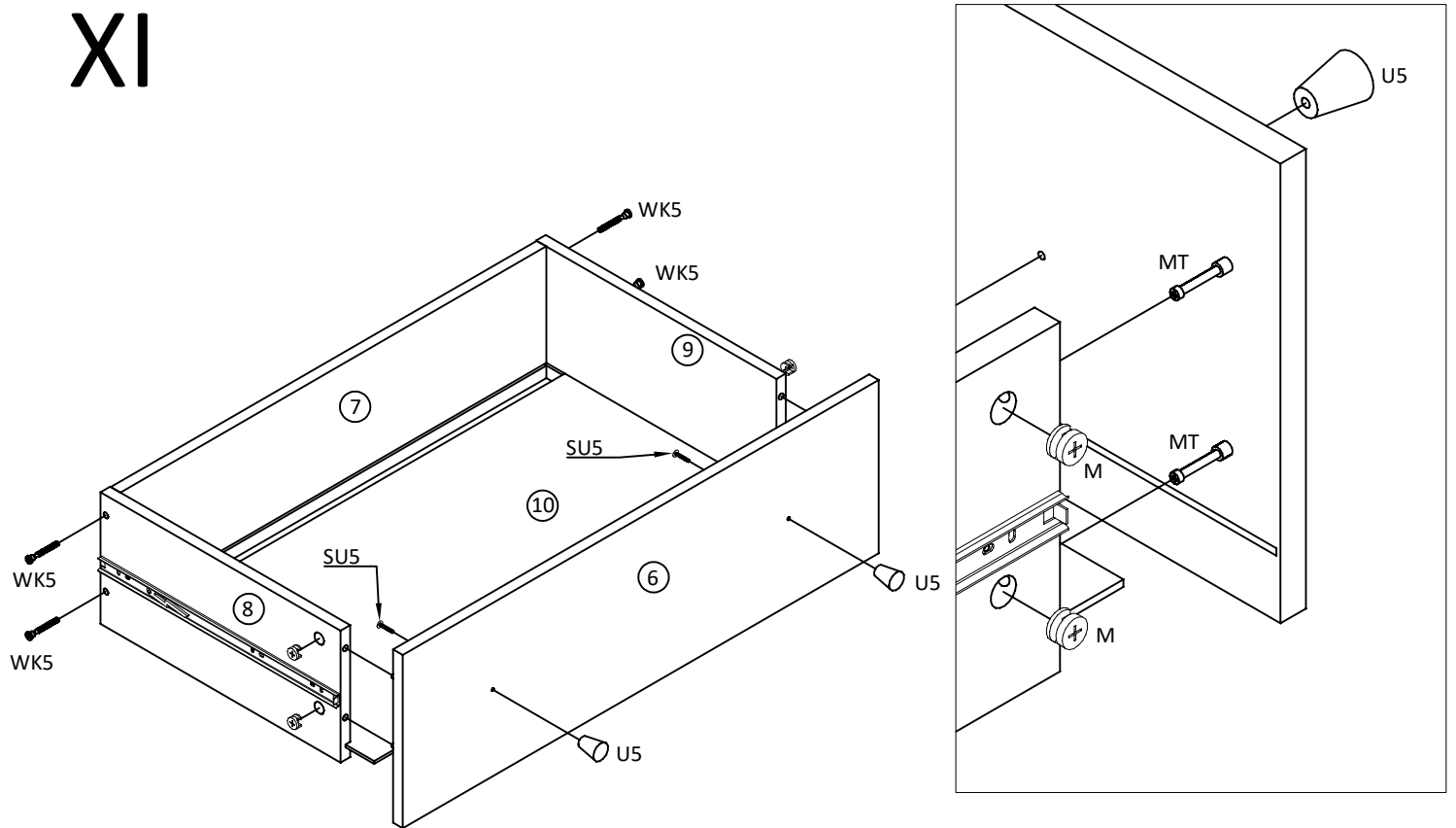
# IX



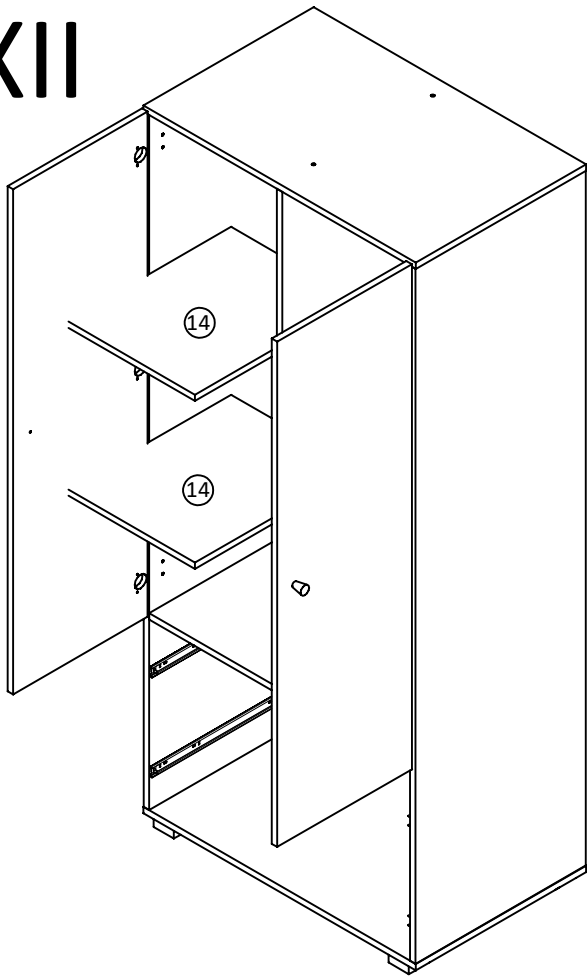
# X



# XI



# XII



# XIII

