
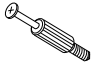
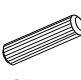
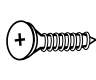




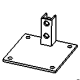
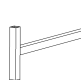



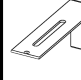






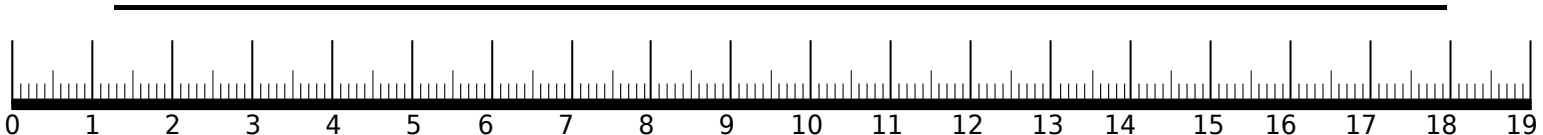
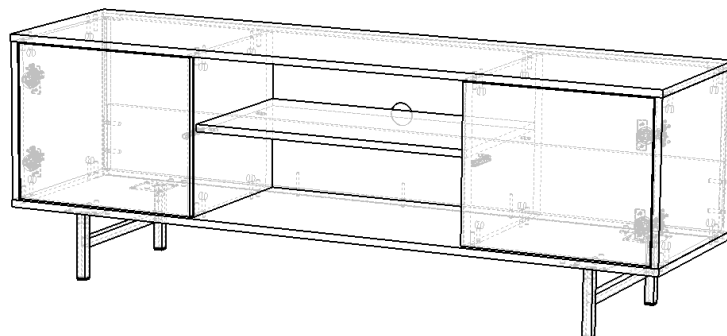
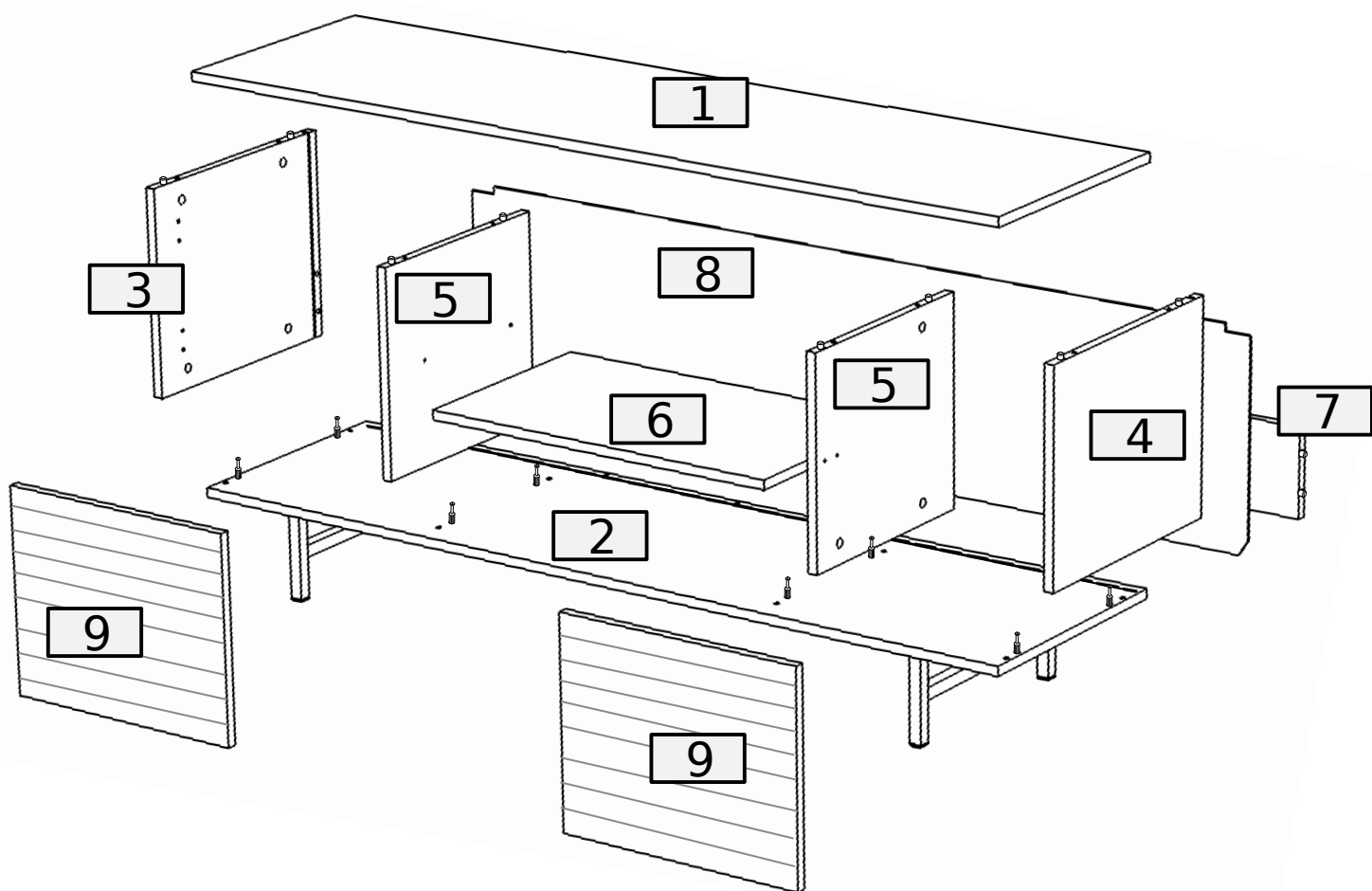
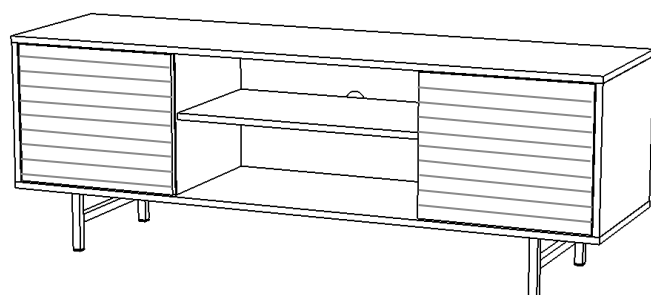


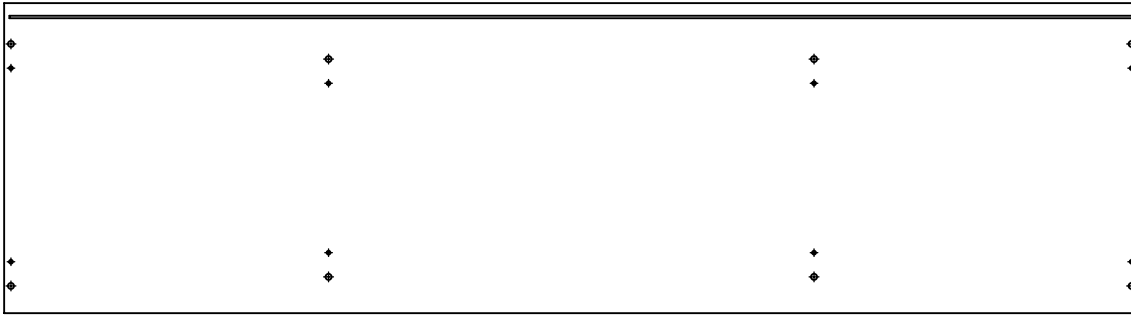
16	16	20	8	4	6	5	2	4	2
									
	A 8.0x35	D 3.5x16	W2	PZ	G	I	PTS	NP2	NP1
									
X	S3	3.5x16	W4	KS	Z	O 6.3x13	F	G3	WS
16	4	2	2	4	3	16	16	8	



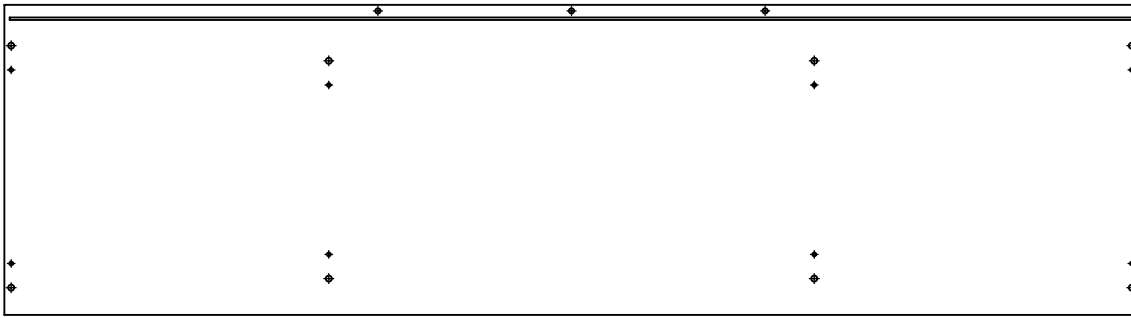


No.	Pcs.	L	W	D	Pac
1	1	1500	410	16	1/1
2	1	1500	410	16	1/1
3	1	409	348	16	1/1
4	1	409	348	16	1/1
5	2	370	348	16	1/1
6	1	626	360	16	1/1
7	1	1466	150	16	1/1
8	1	1480	362	3	1/1
9	2	416	342	16	1/1

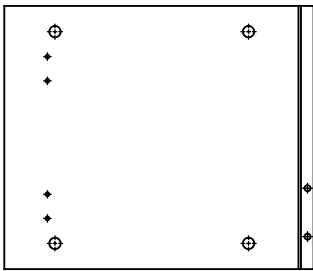




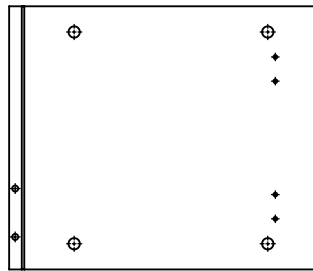
1. 1500x400x16 mm



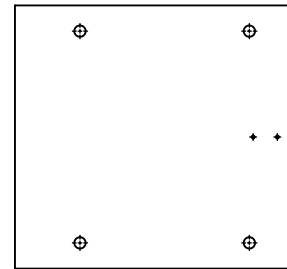
2. 1500x390x16 mm



3. 409x348x16 mm



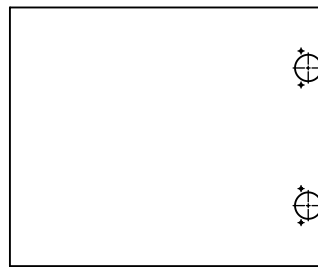
4. 409x348x16 mm



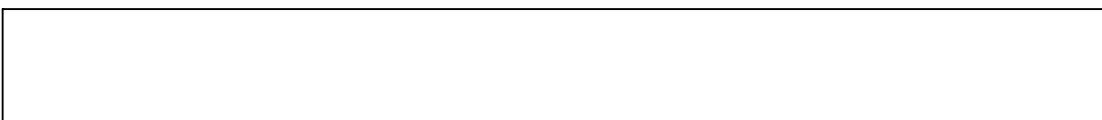
5. 370x348x16 mm x2



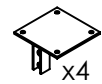
6. 626x360x16 mm



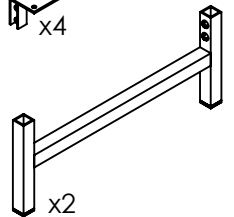
9. 416x342x16 mm x2



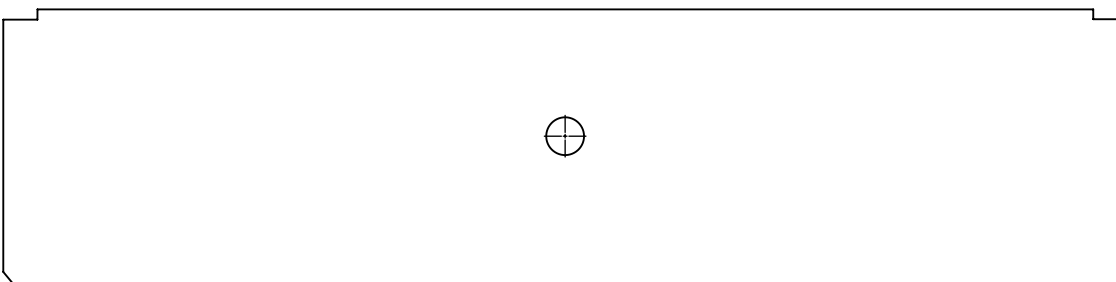
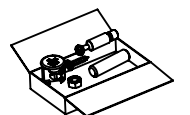
7. 1466x150x16 mm



x4



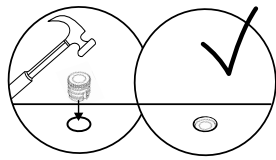
x2




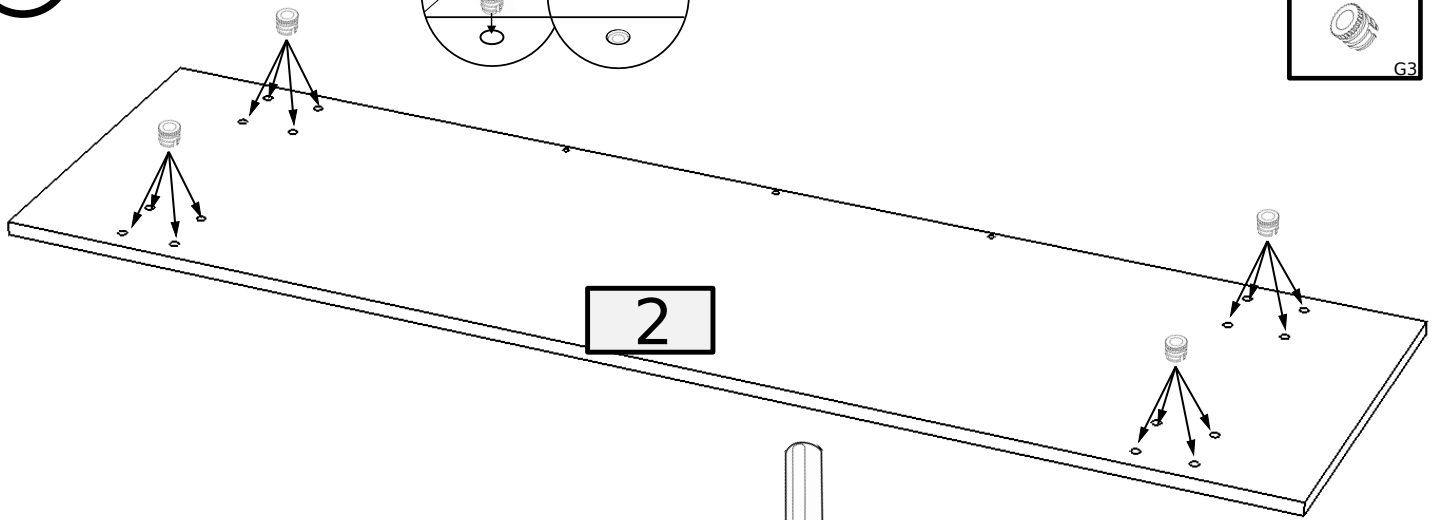
9. xx3 mm



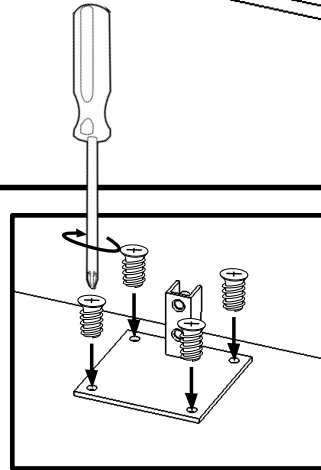
①

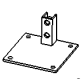



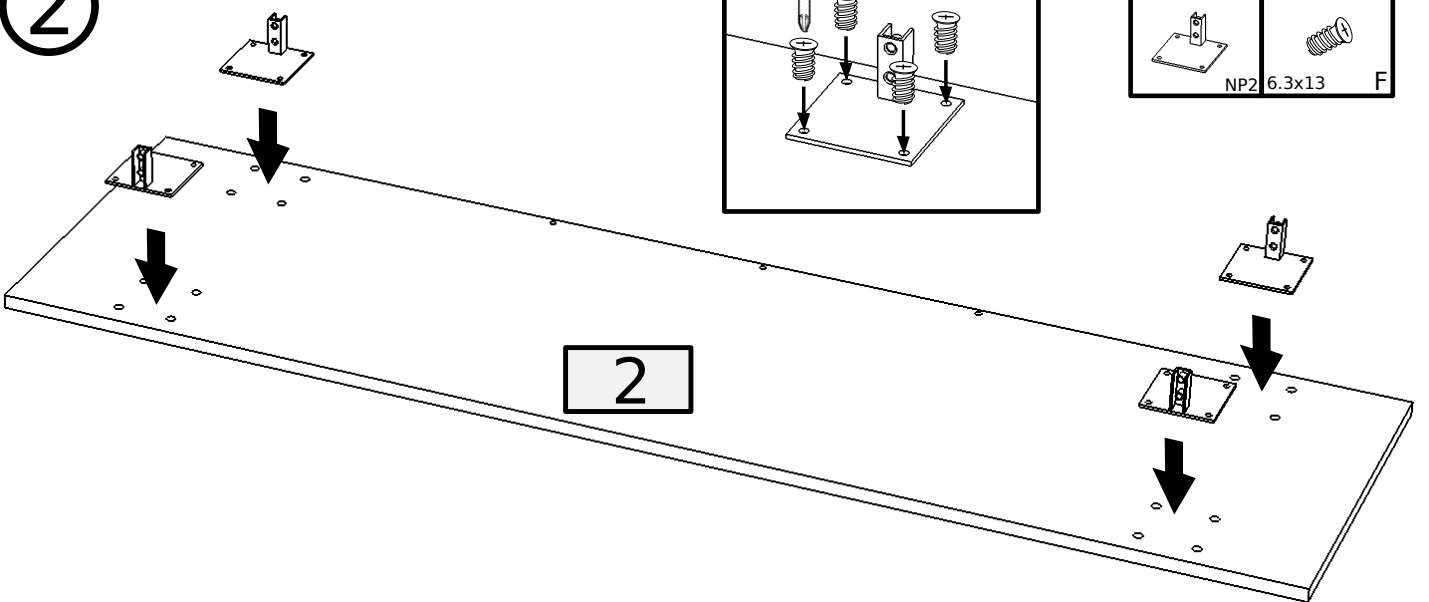
8

G3



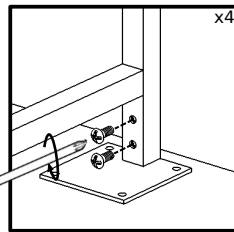
②


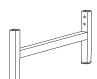


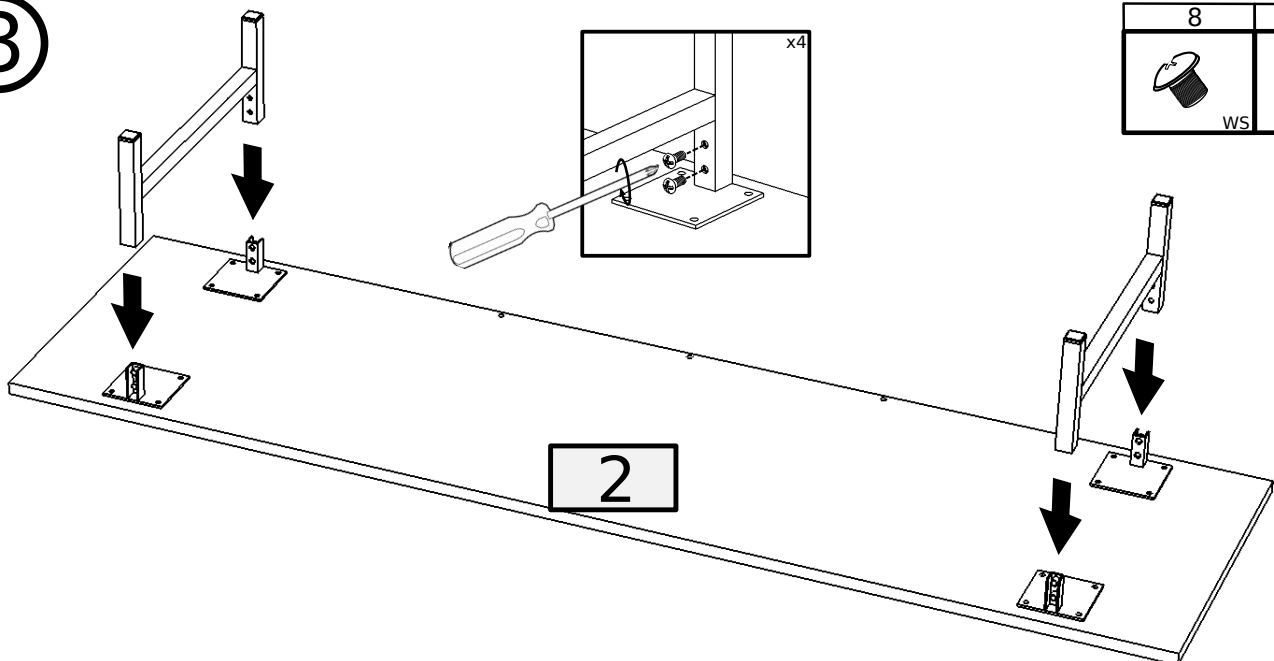
4	16
	
NP2 6.3x13	
F	



③

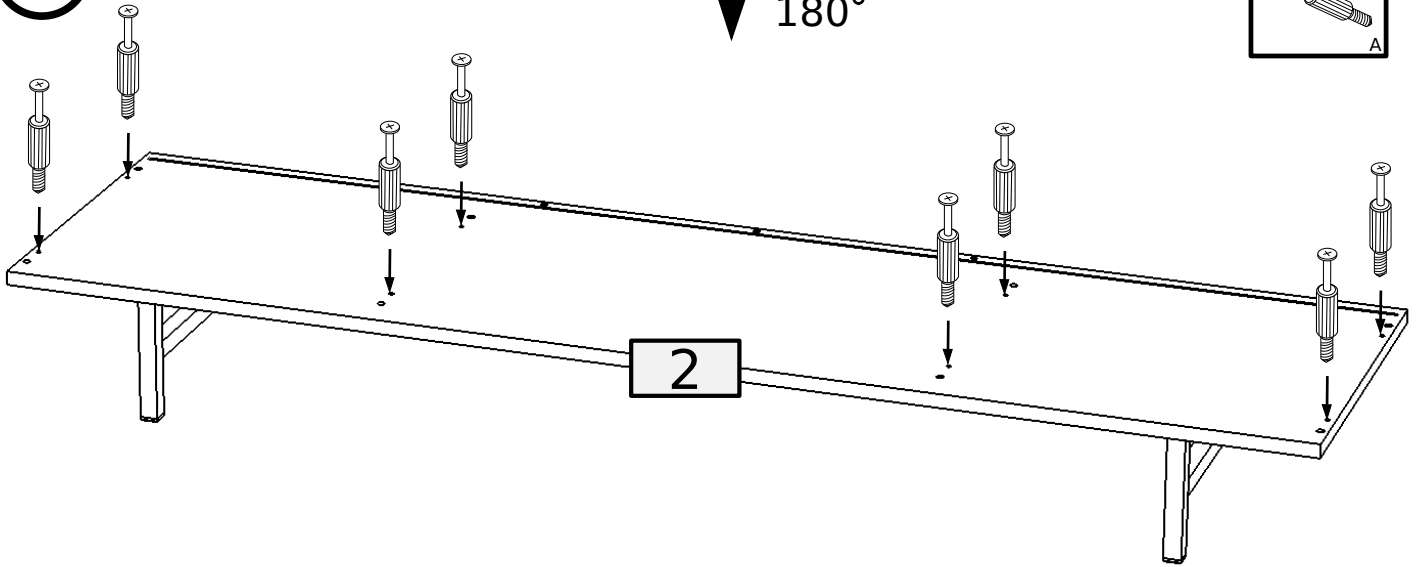
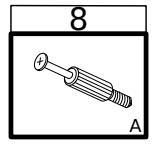


8	2
	
WS	NP1

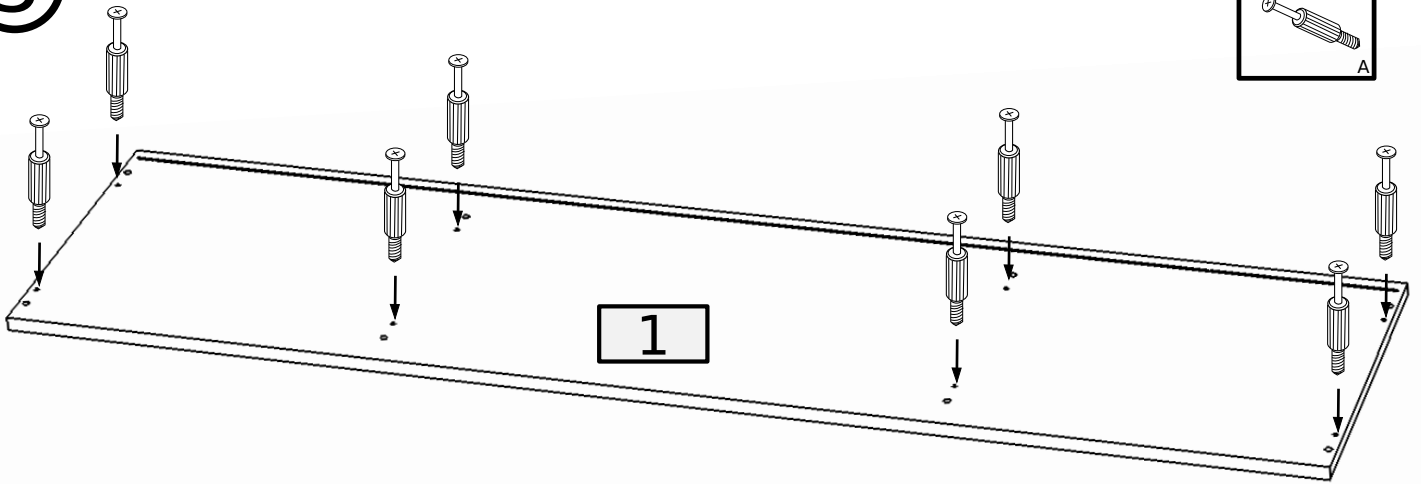
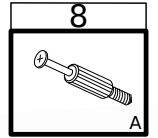


4

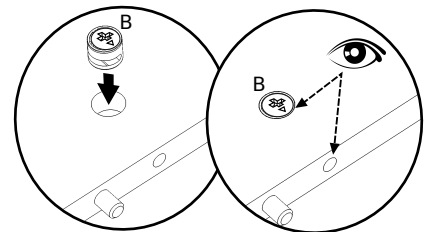
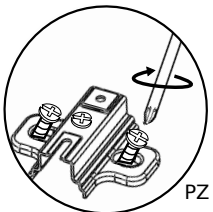
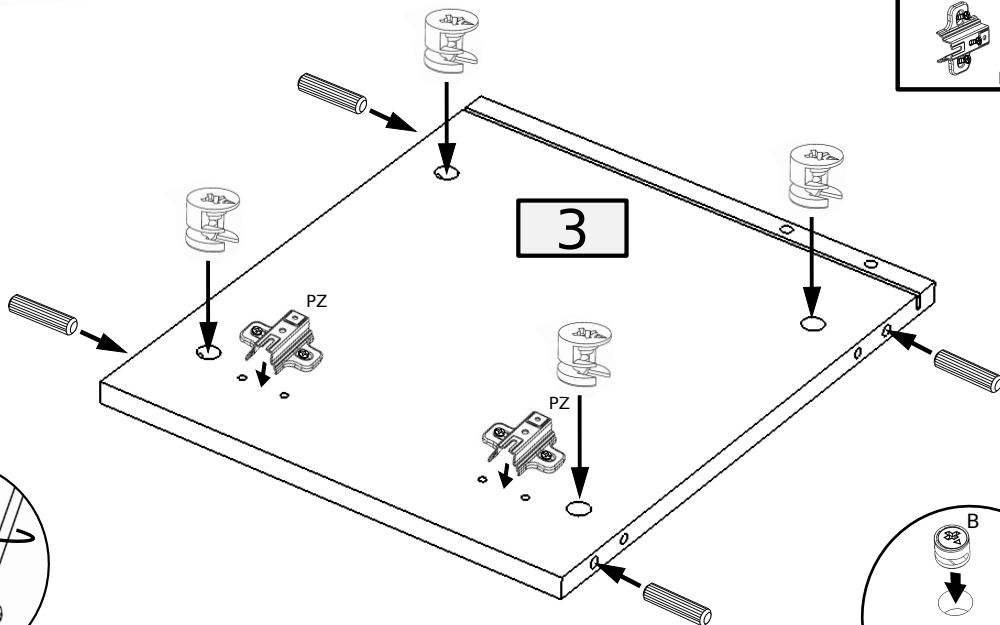
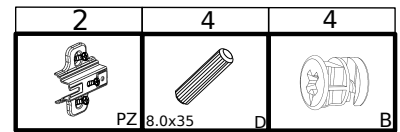
180°



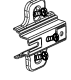


5

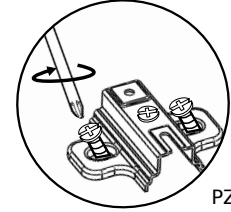
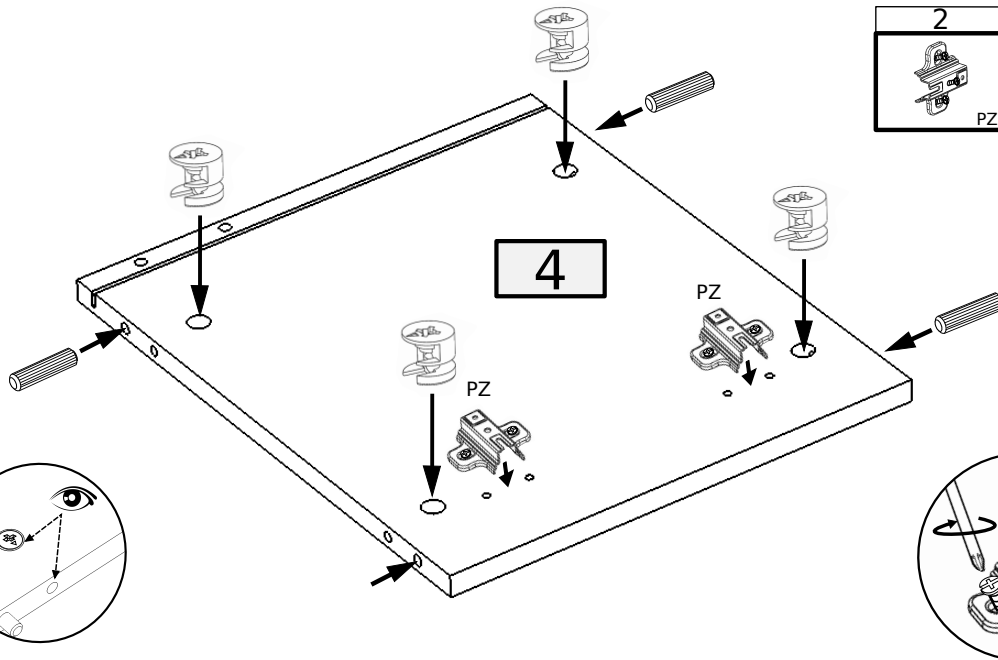
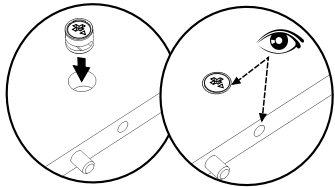


6




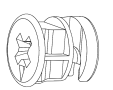
7

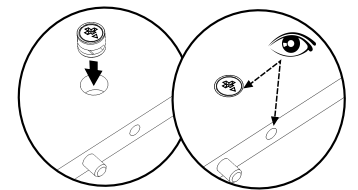
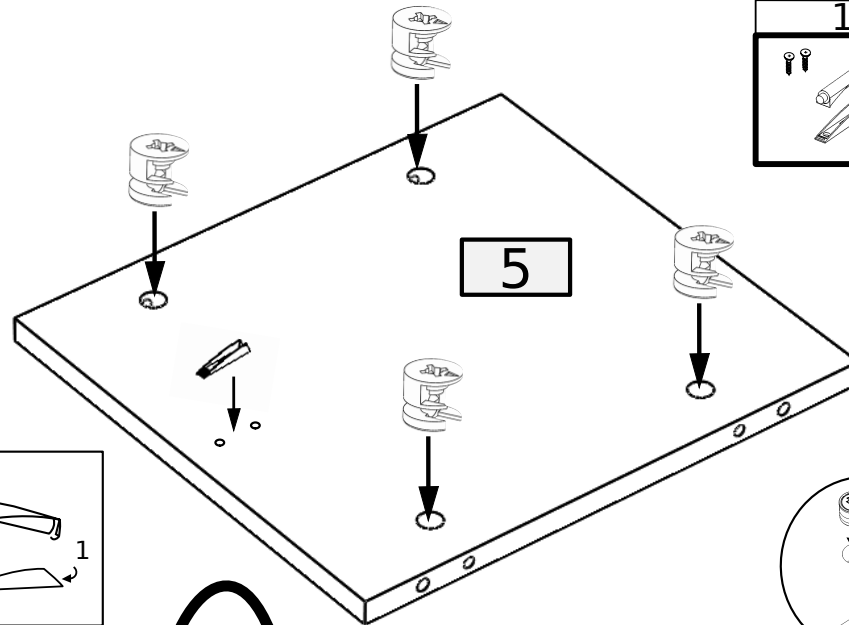
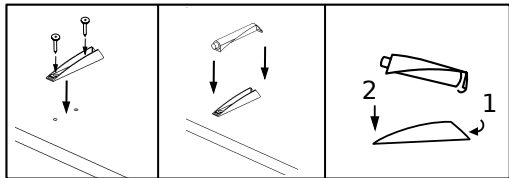
2	4	4
		
PZ	8.0x35	D B



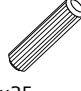

PZ

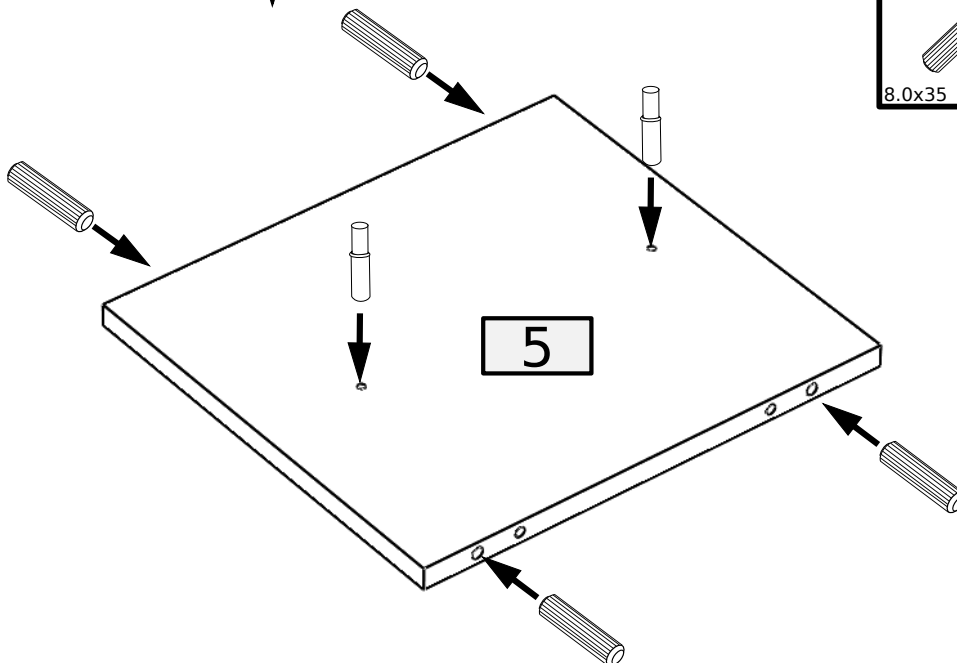
8 x2

1	4
	
PTS	B

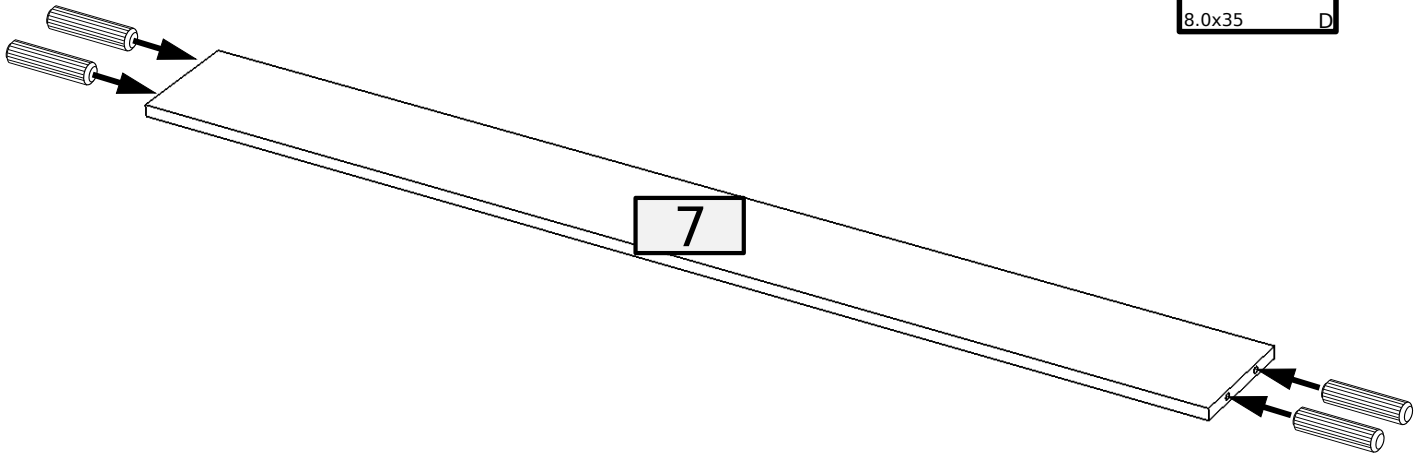
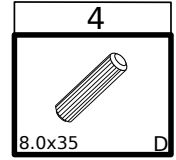


180°

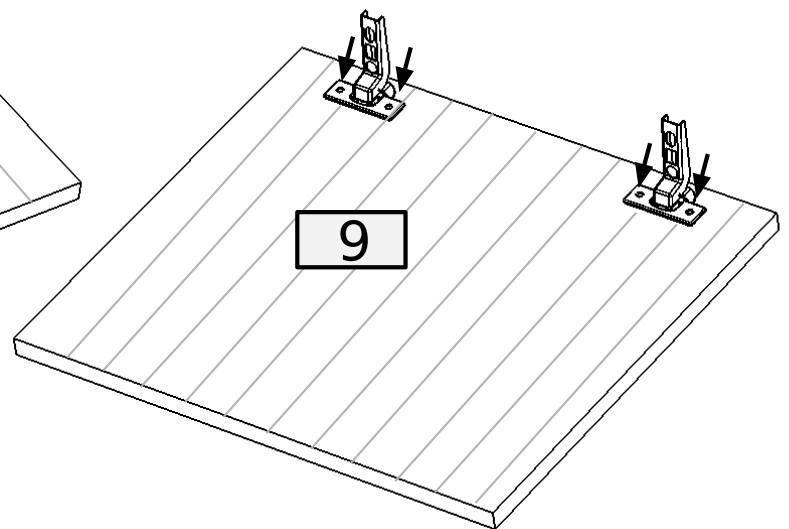
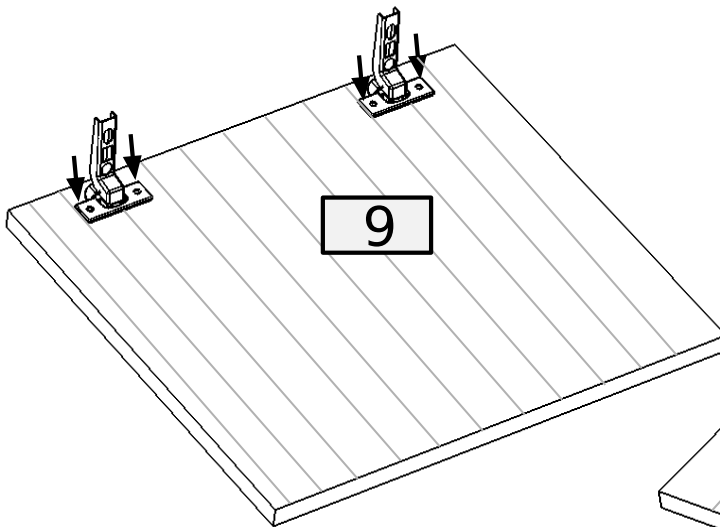
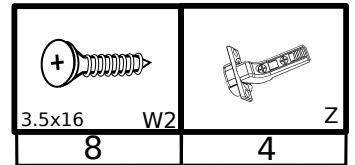
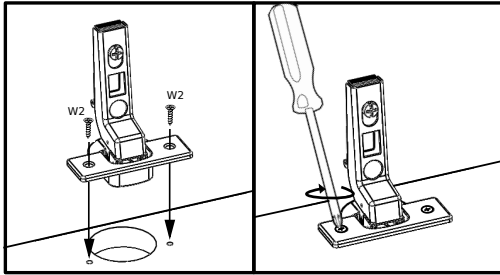
4	2
	
8.0x35	D S3



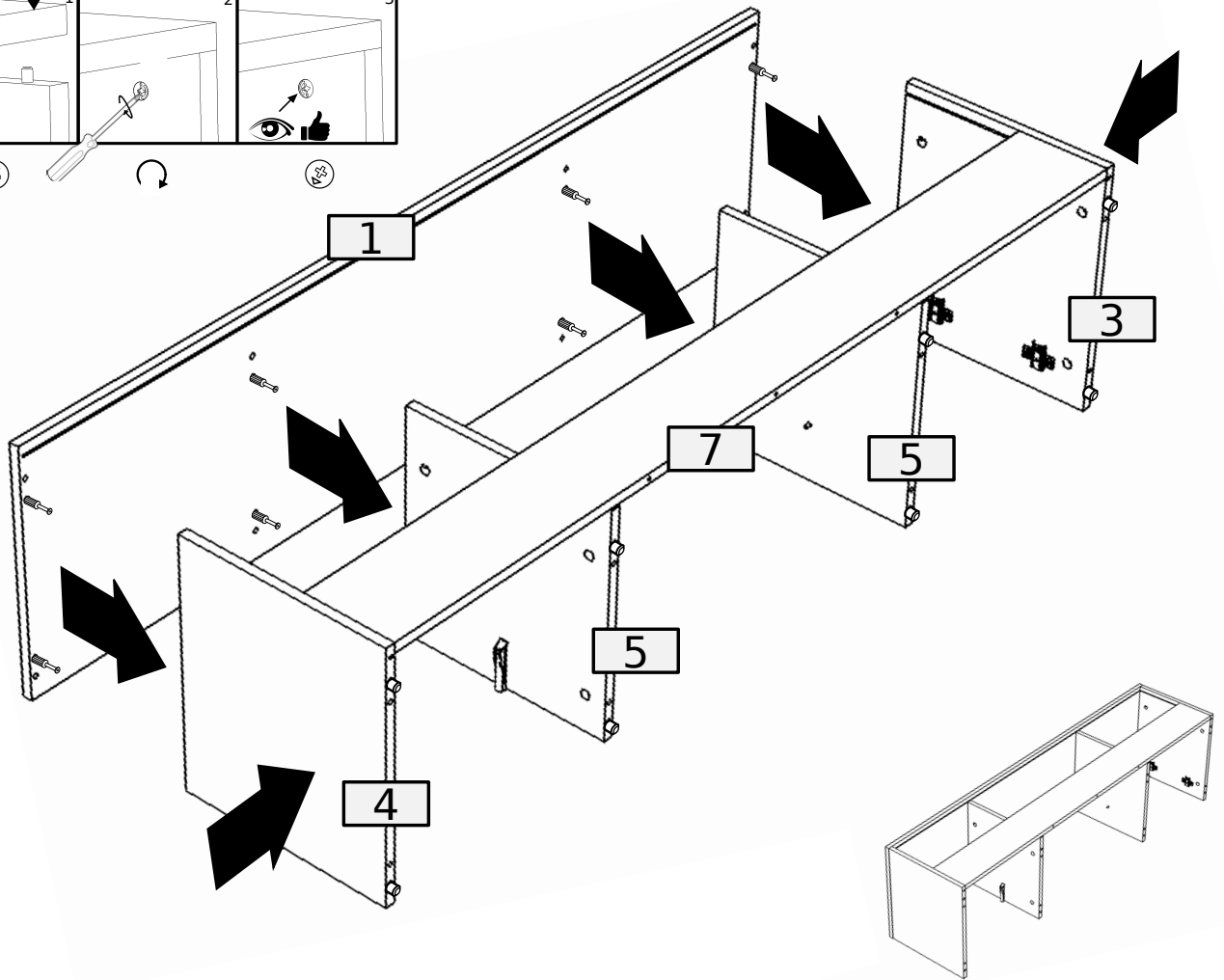
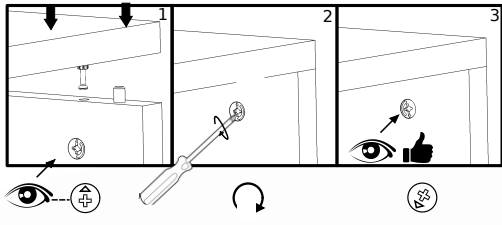
9



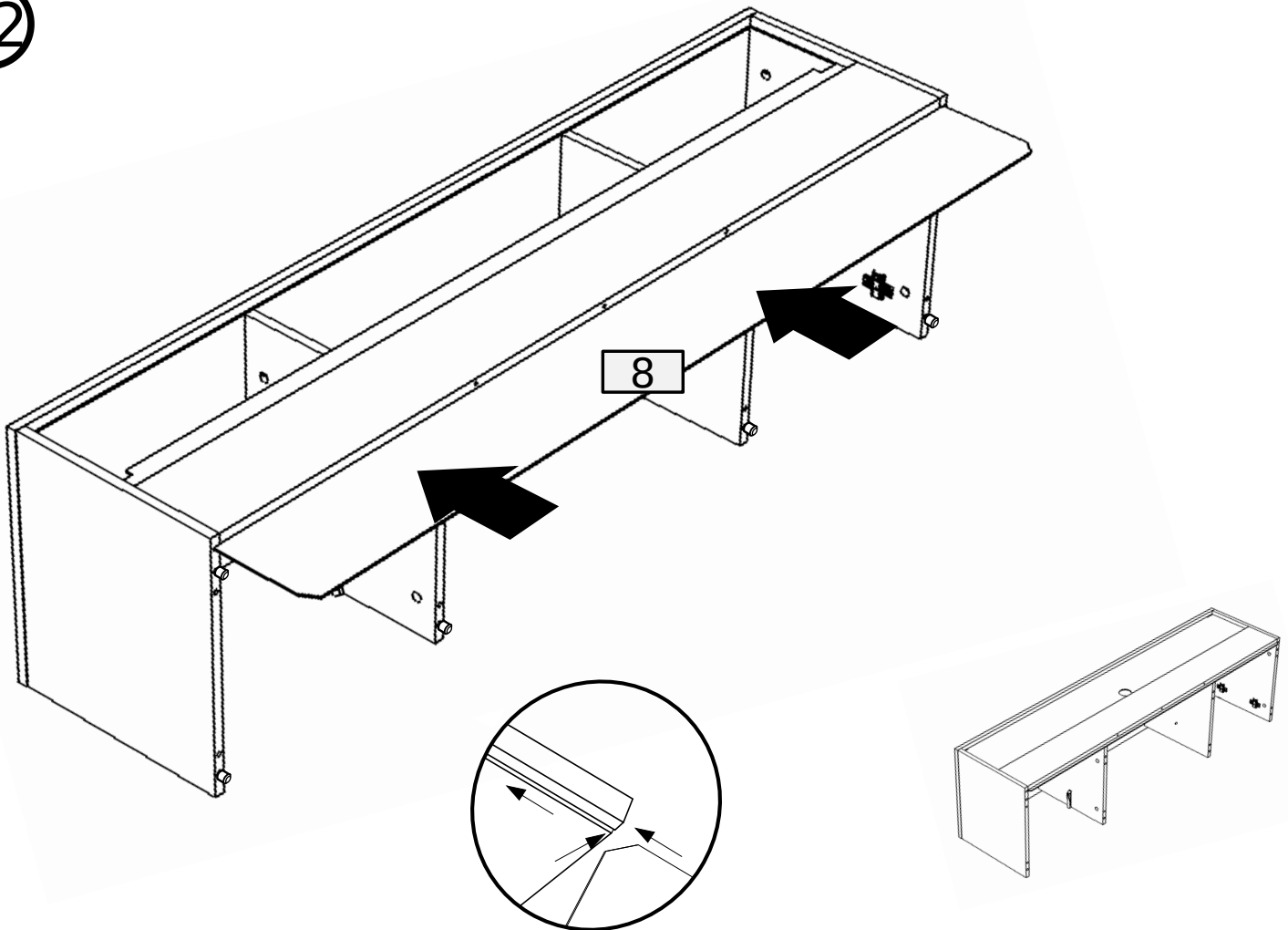
10



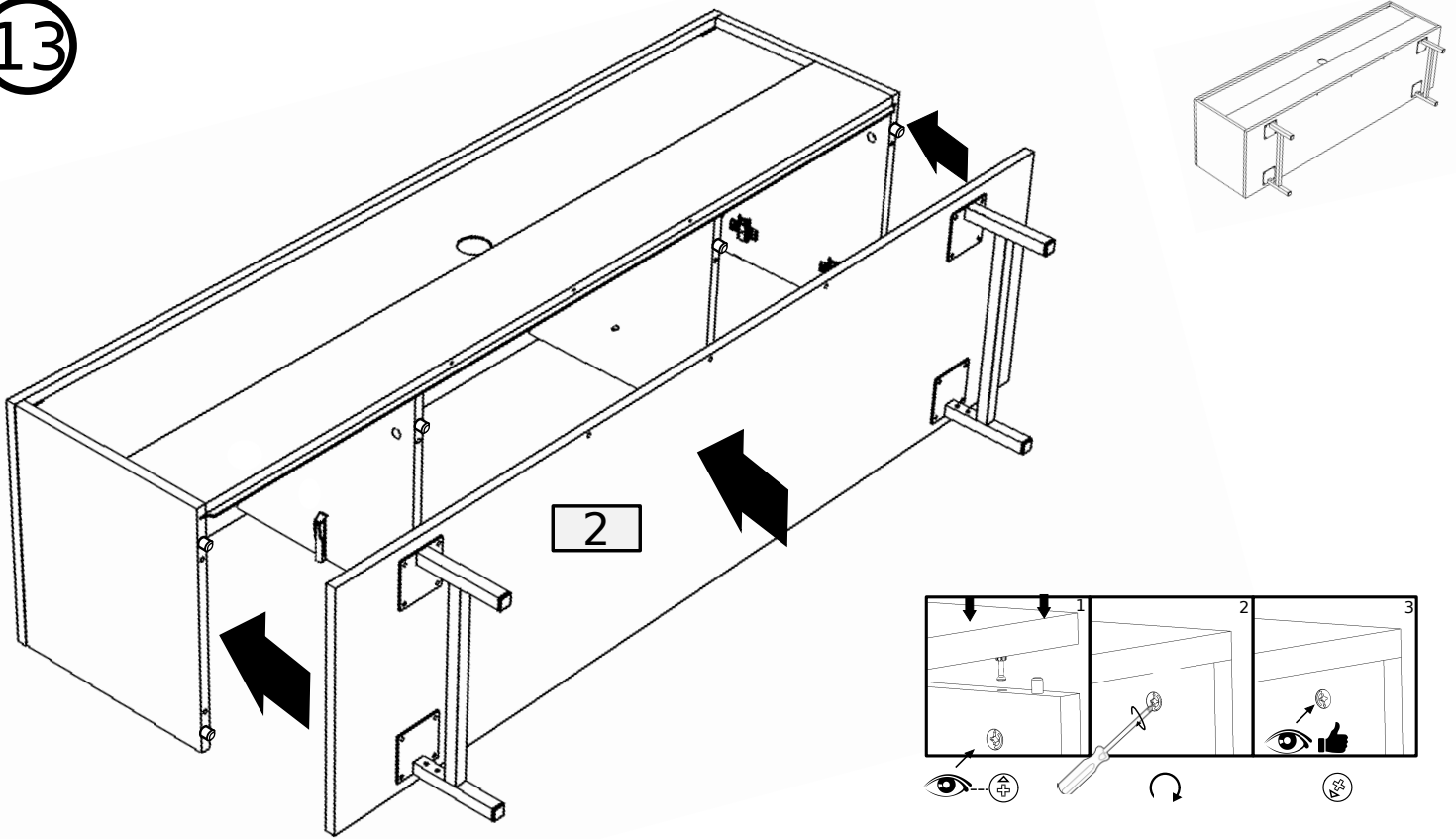
11



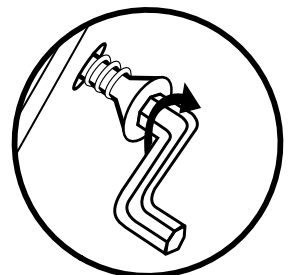
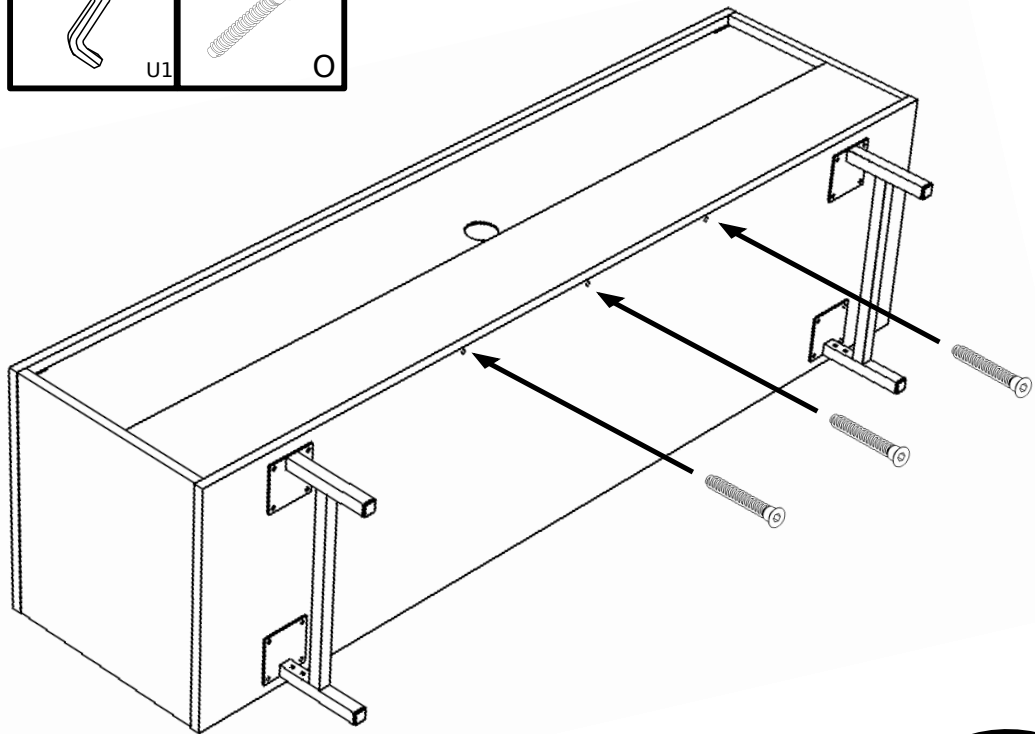
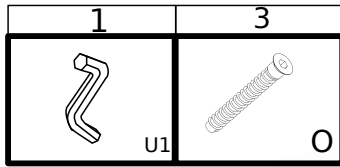
12



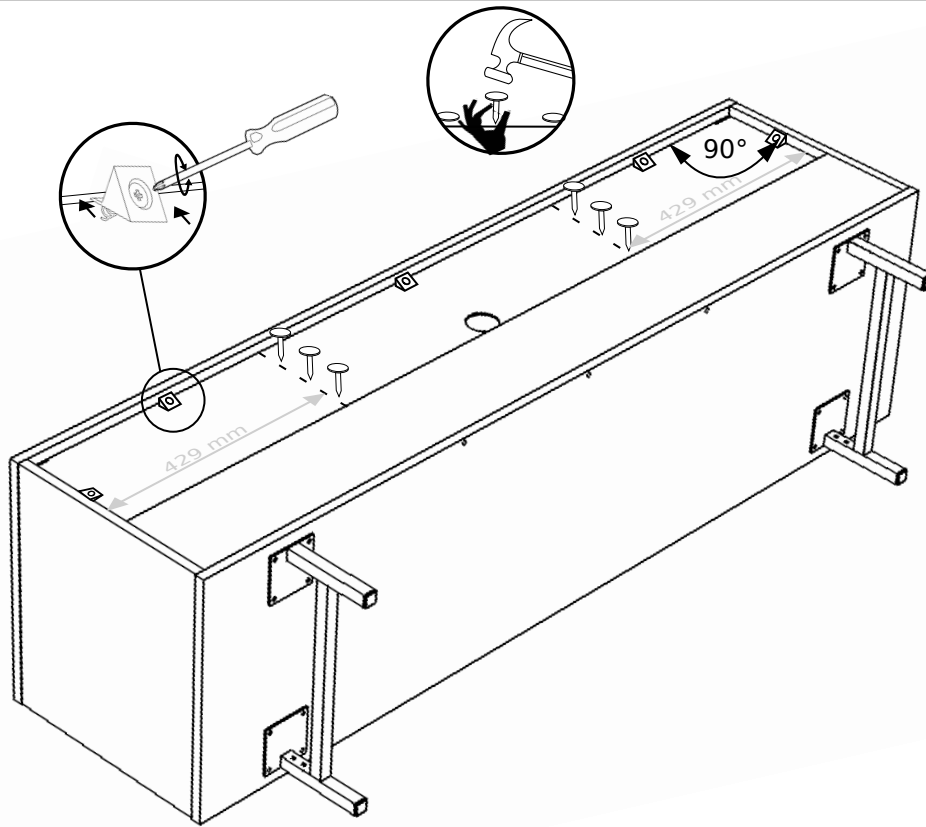
13



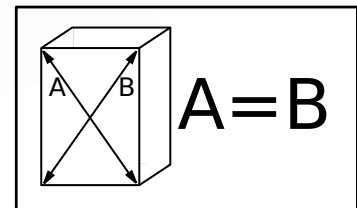
14



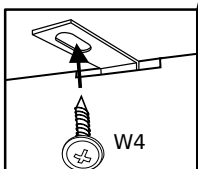
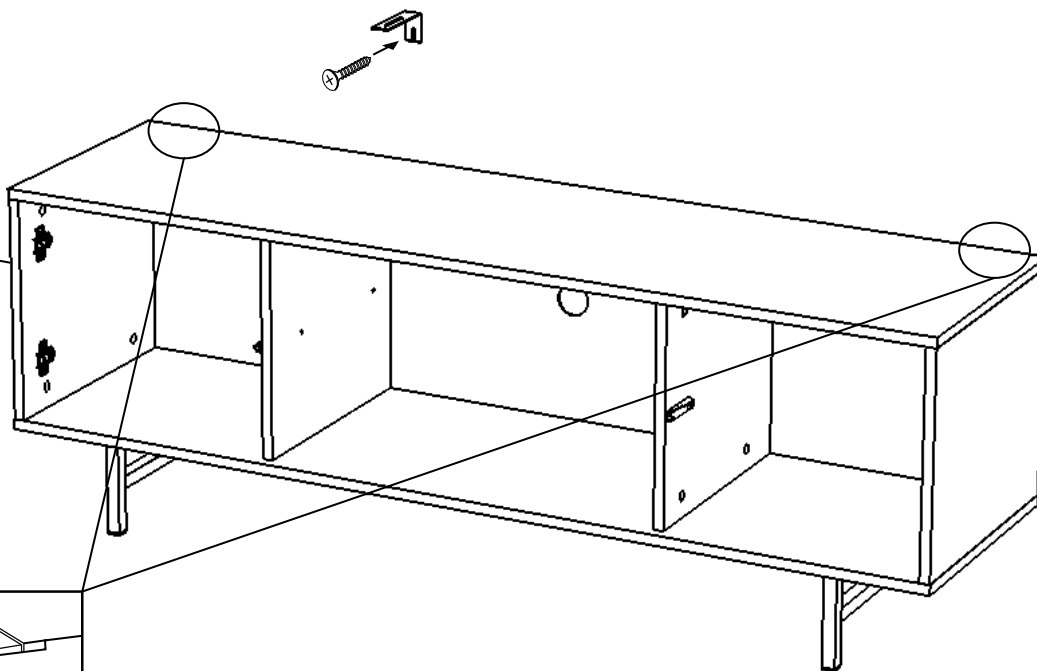
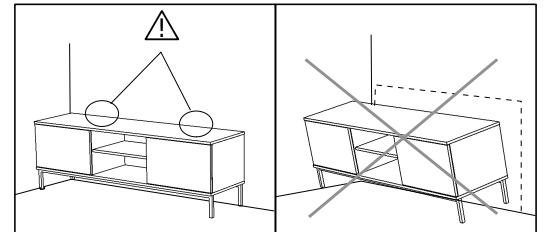
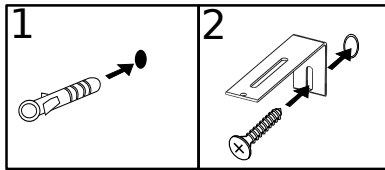
15



6	5
G	I

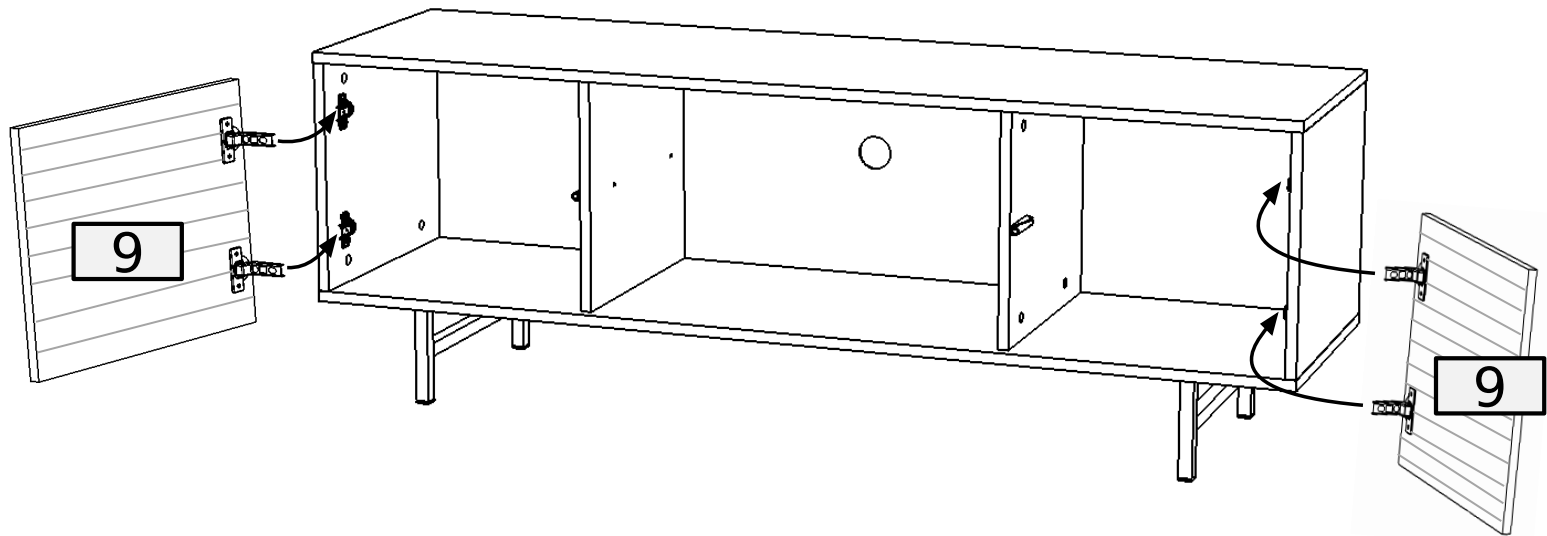


16

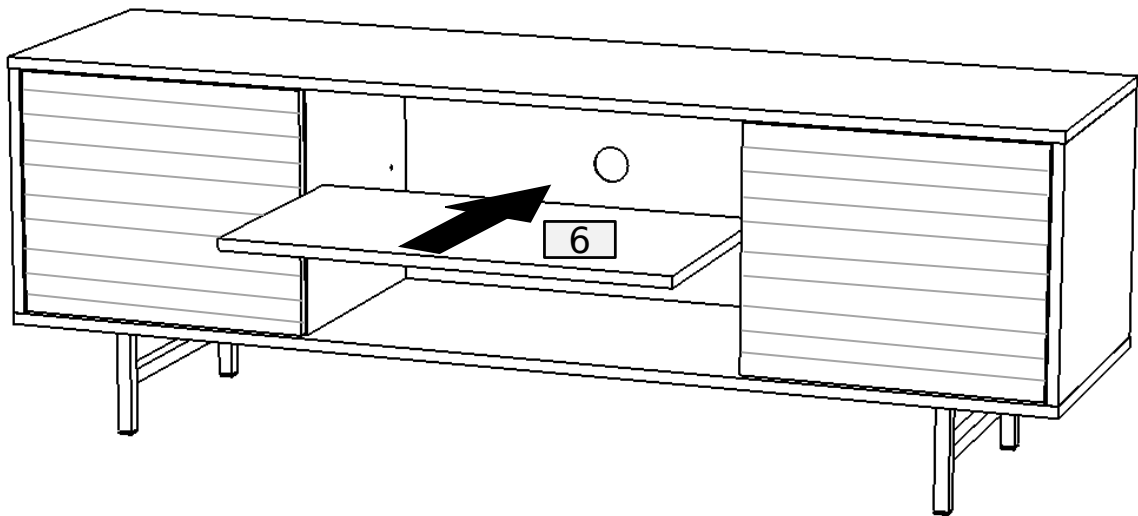


2	2
3.5x16 W4	KS

17

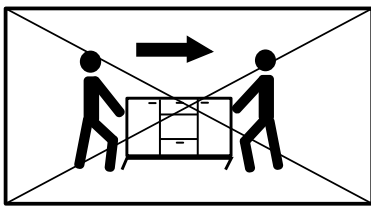
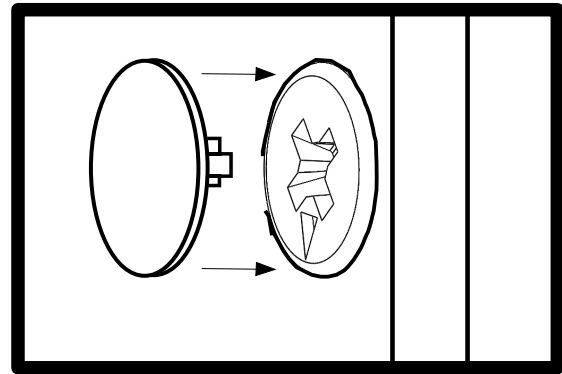
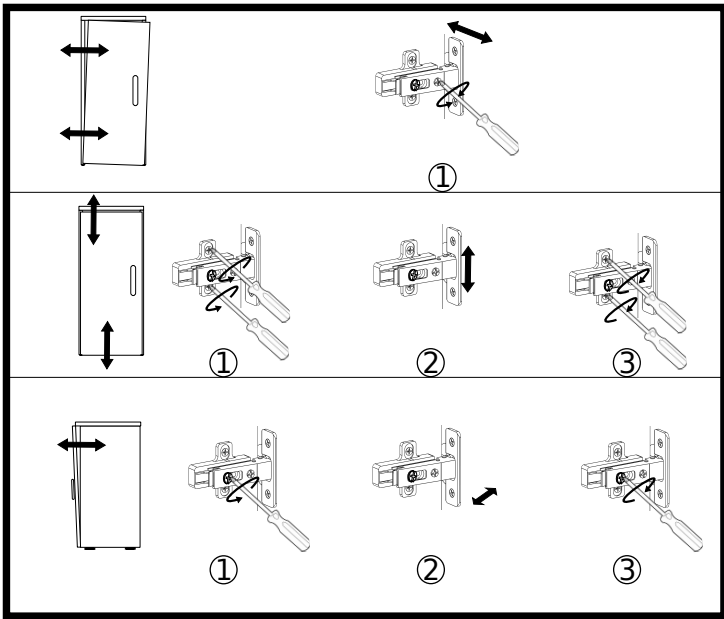
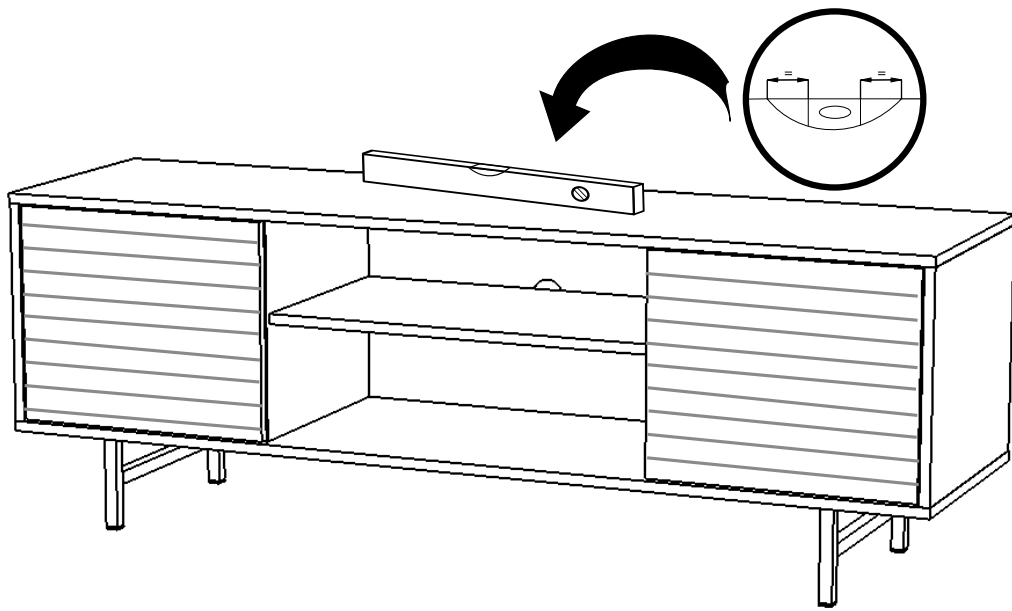


18

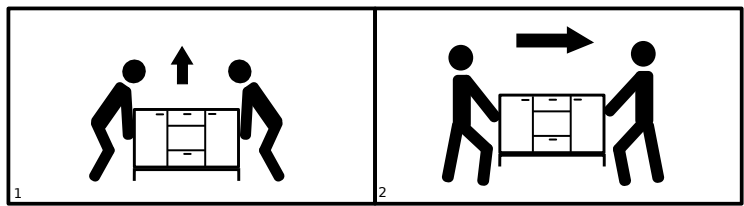




19



×



✓

