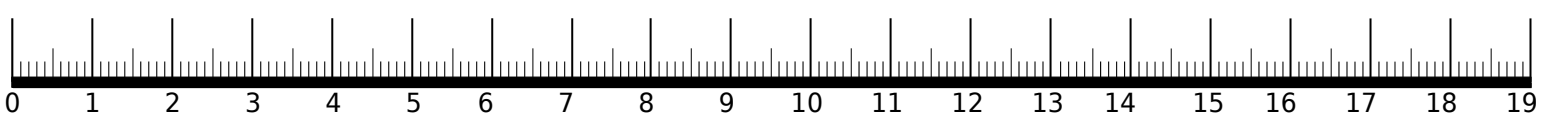
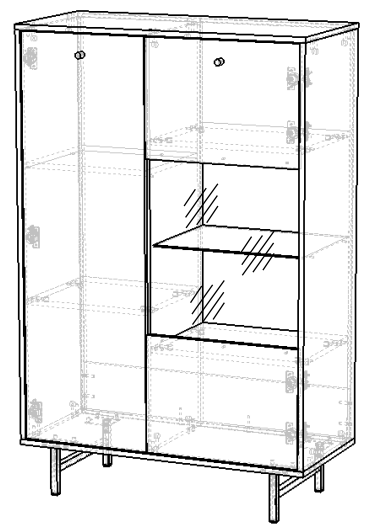
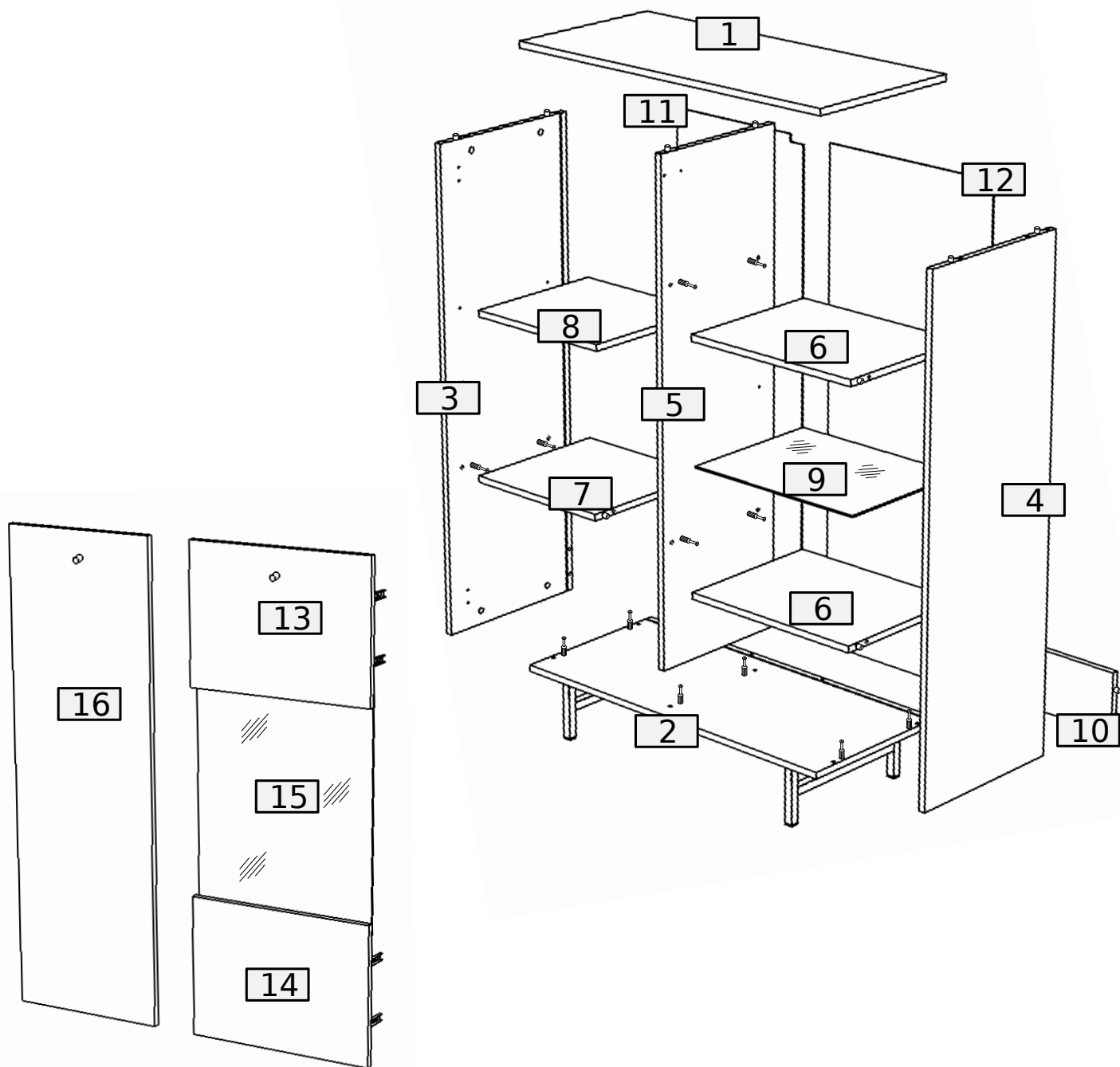


24	24	28	14	7	6
B	A	8.0x35	D 3.5x16 W2	PZ	T
X	S3	S4	3.5x16 W4	KS	Z
24	4	4	7	1	7

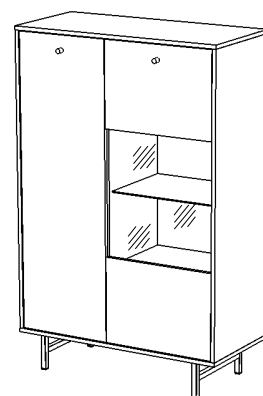
8	2	2	2	1
I	O	UVR	3.5x25 W10	U1
6.3x13 F	G4	G3	G2	
16	6	16	4	



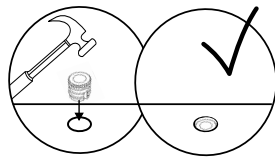


No.	Pcs.	L	W	D	Pac
1	1	900	410	16	2/2
2	1	900	410	16	2/2
3	1	1218	409	16	1/2
4	1	1218	409	16	1/2
5	1	1218	370	16	1/2
6	2	465	370	16	2/2
7	1	385	370	16	2/2
8	1	385	360	16	2/2
9	1	464	350	4	2/2
10	1	866	150	16	2/2
11	1	1232	399	3	1/2

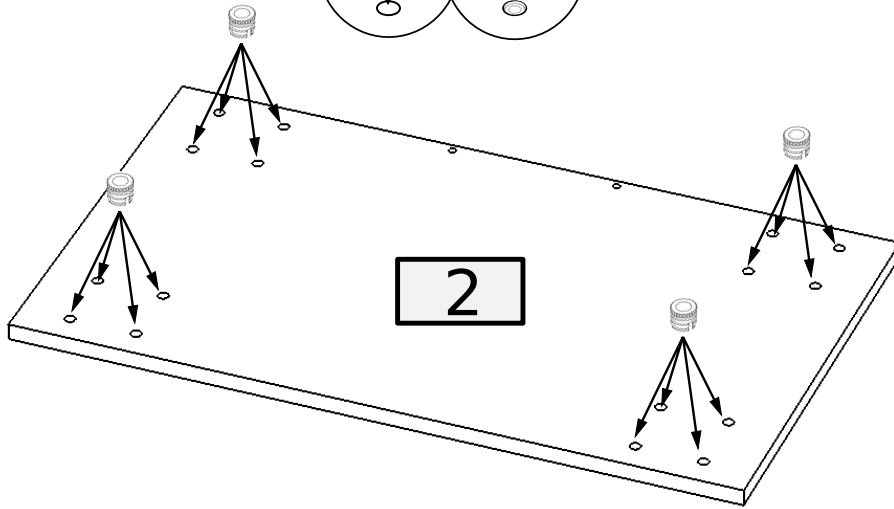
No.	Pcs.	L	W	D	Pac
12	1	1232	479	3	1/2
13	1	470	350	16	2/2
14	1	470	350	16	2/2
15	1	572	460	4	2/2
16	1	1212	390	16	1/2



①

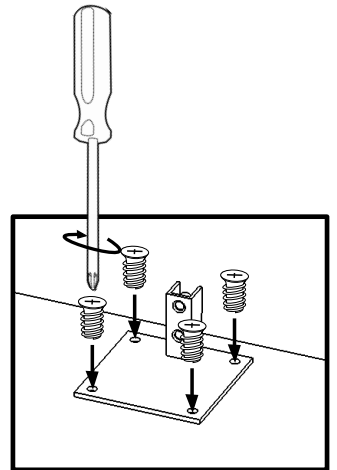
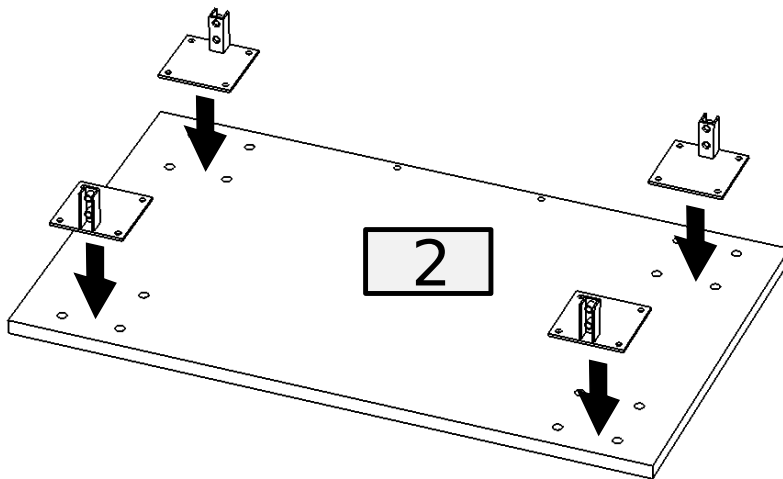


16
G3



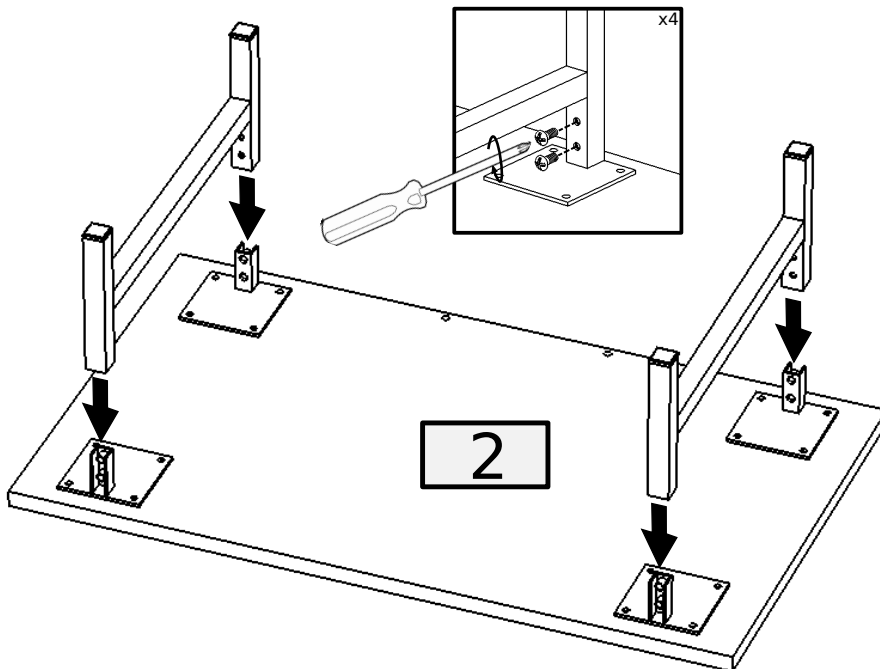
②

4	16
NP2	6.3x13 F

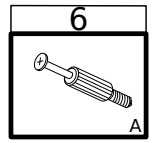
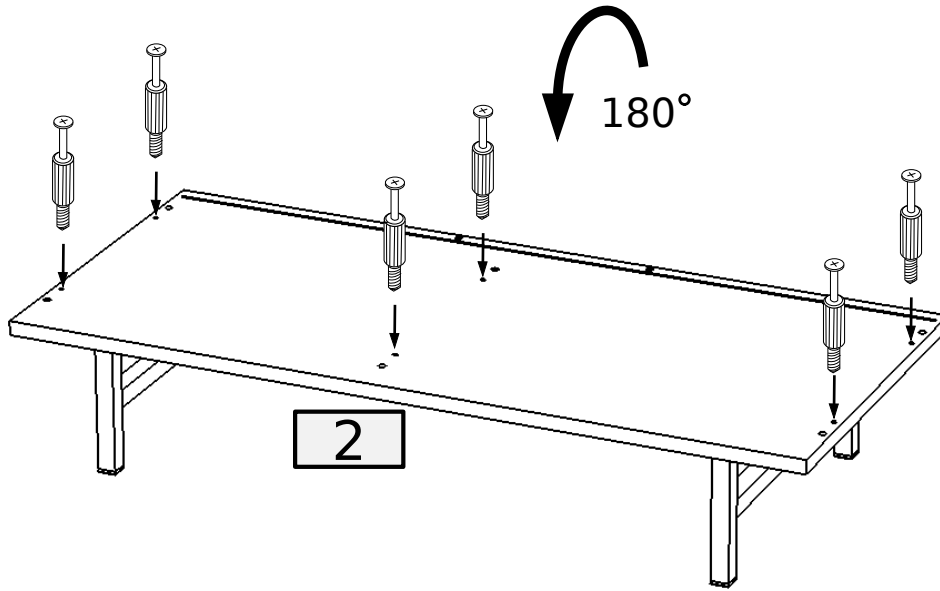


③

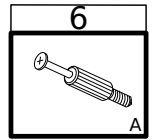
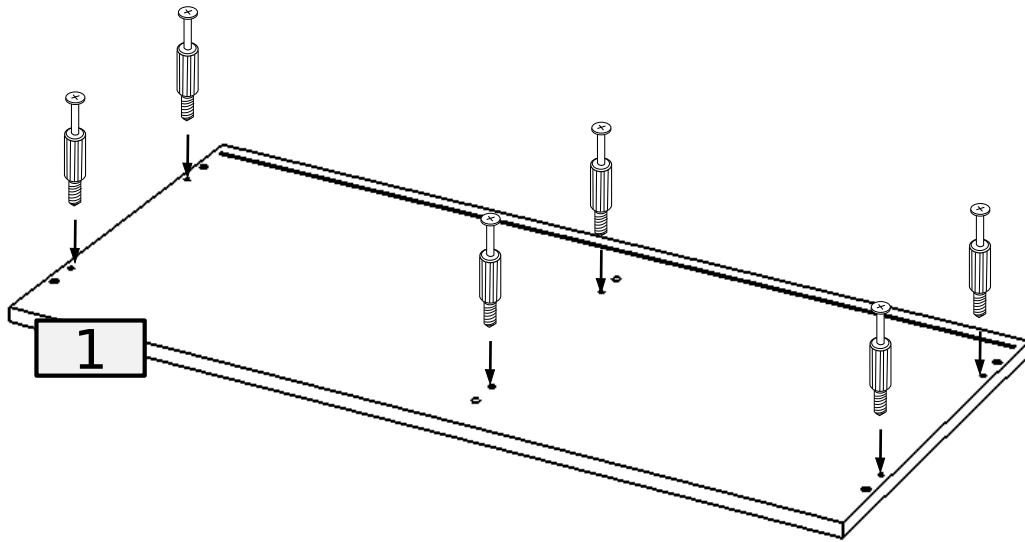
8	2
WS	NP1



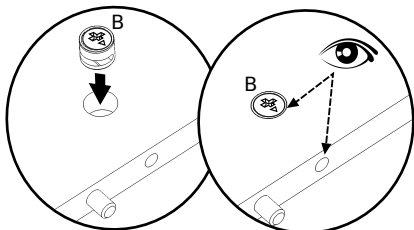
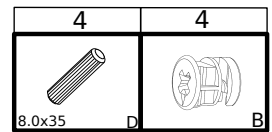
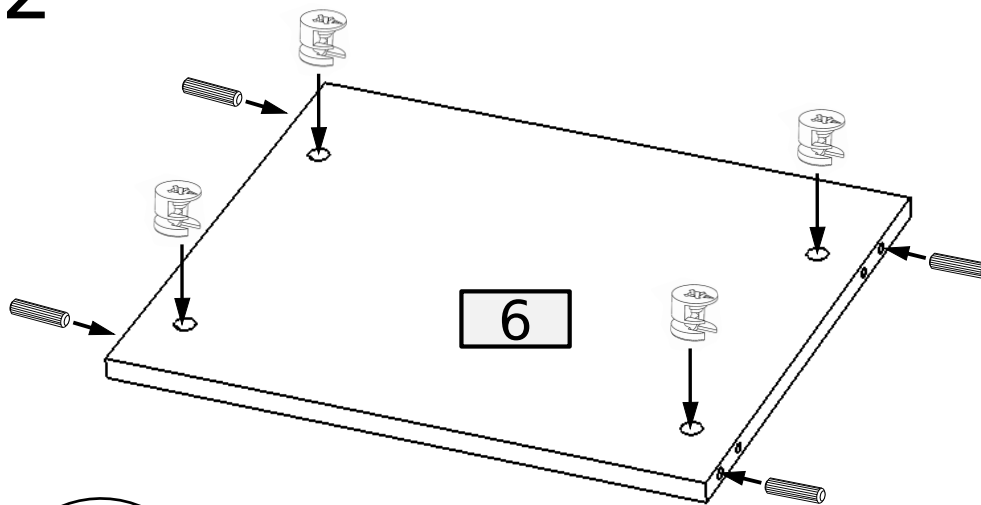
④



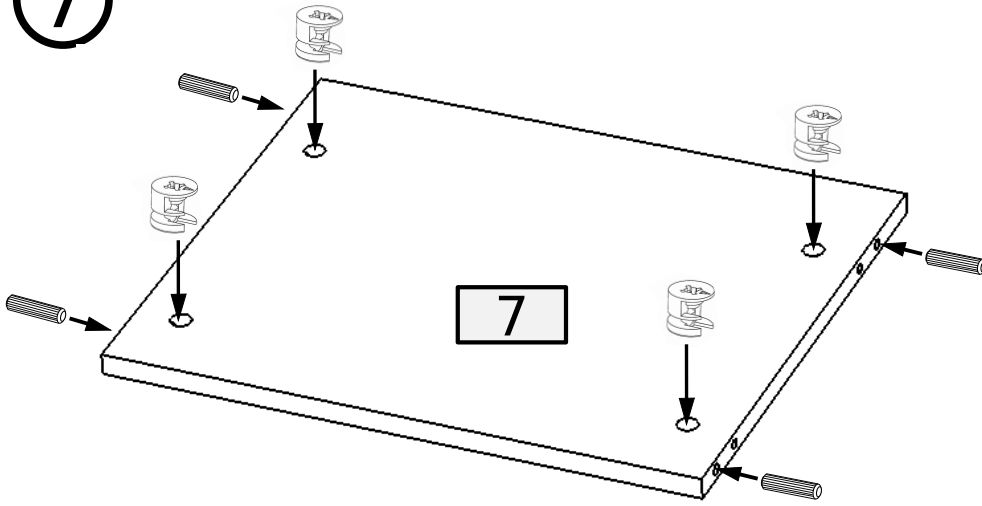
⑤





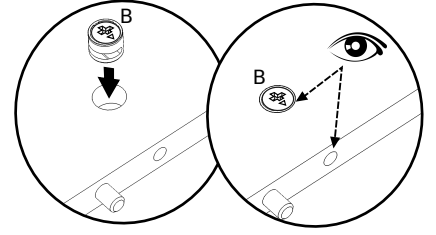
⑥x2



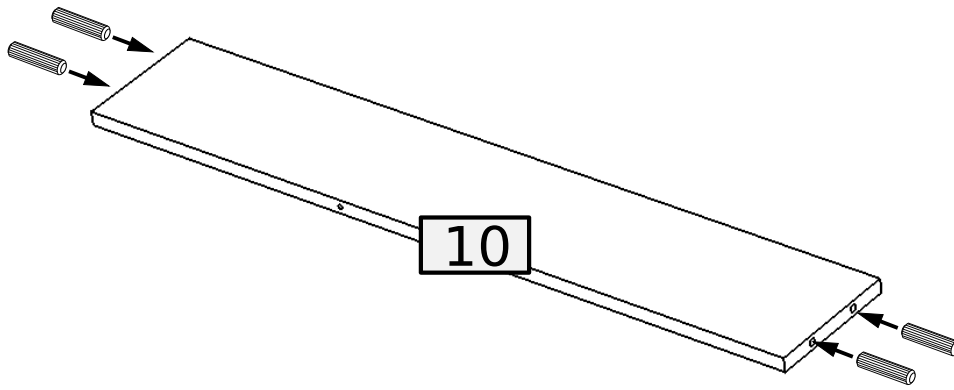
7




4	4
	
8.0x35	D B

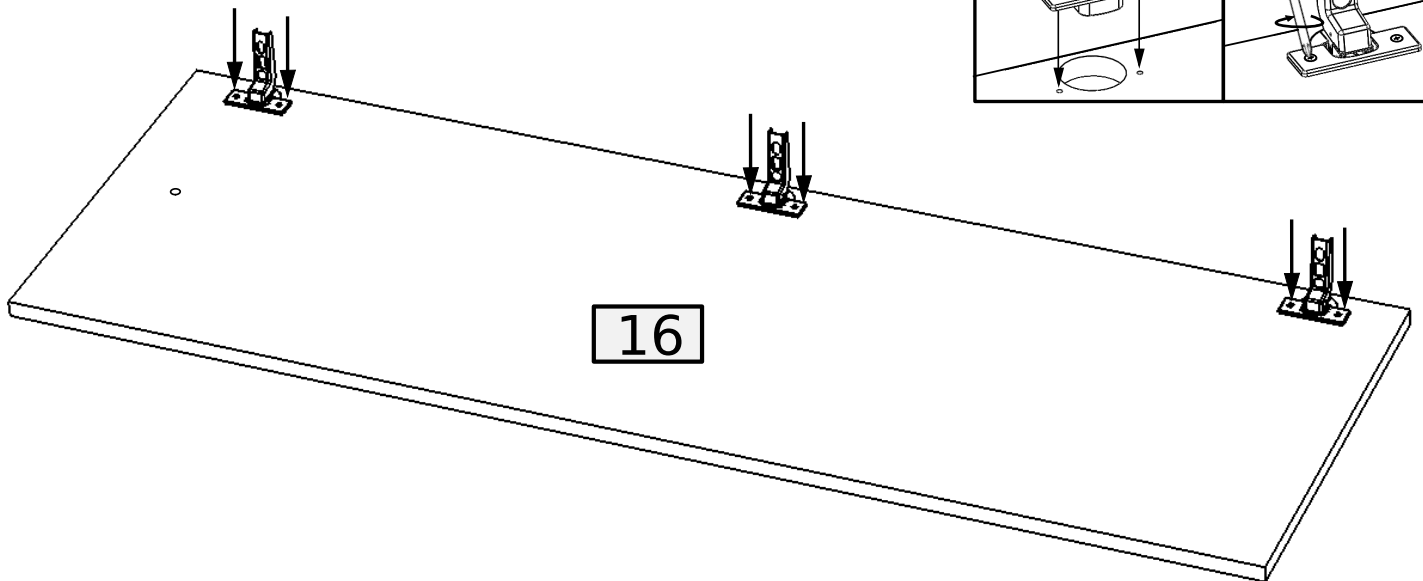




8

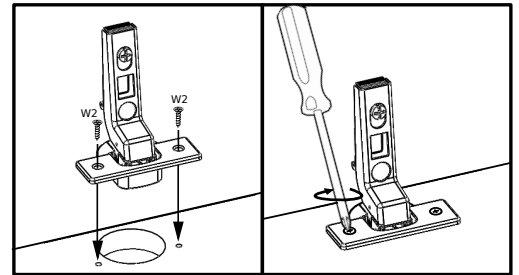


4

8.0x35
D



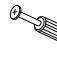


9

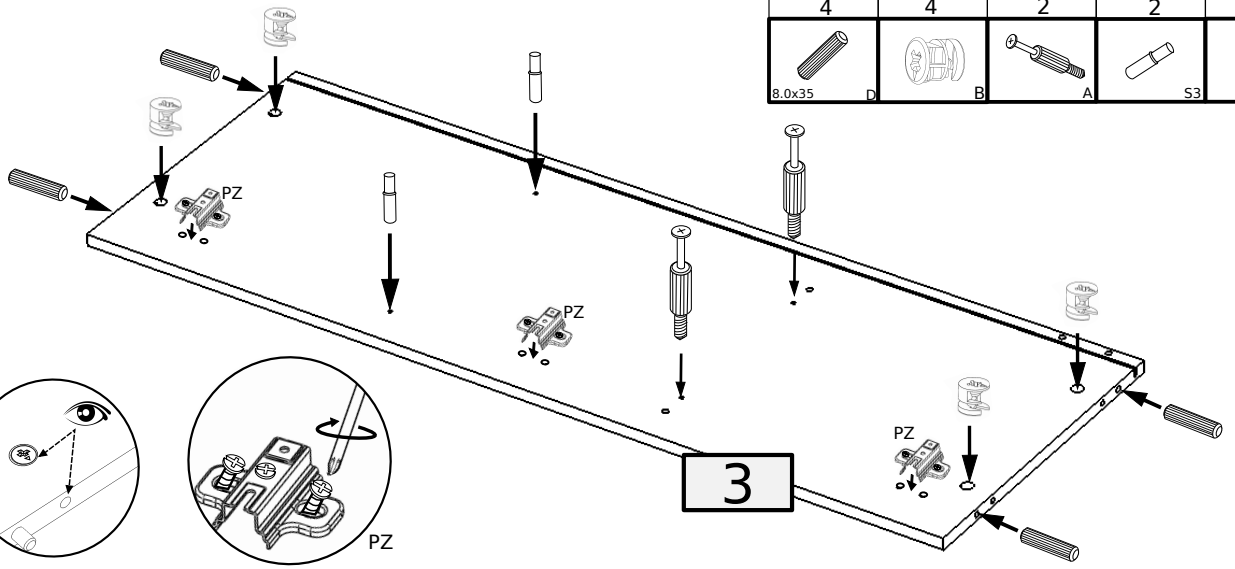
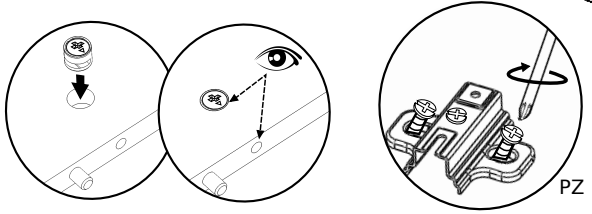


	
3.5x16 W2	Z
6	3



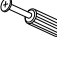

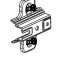


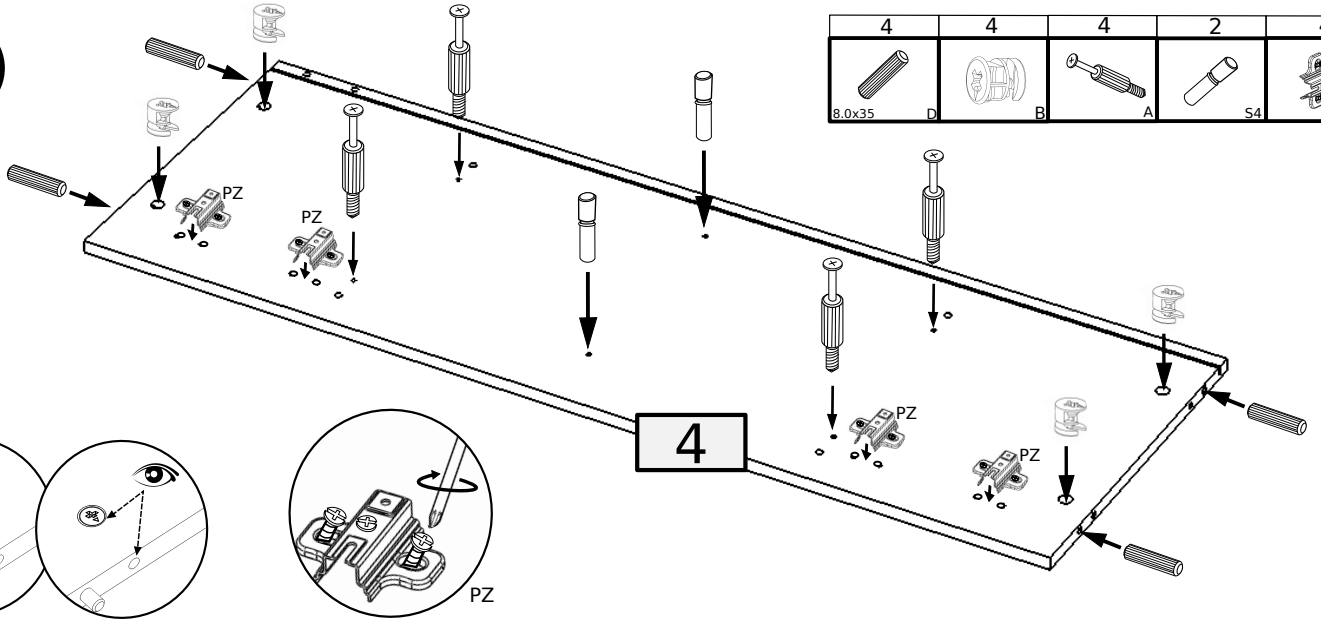
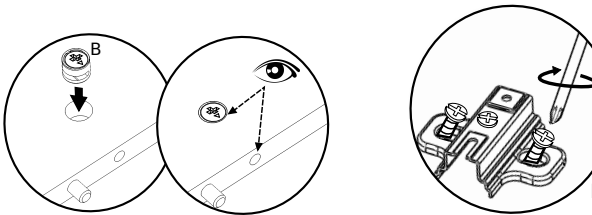
10

4	4	2	2	3
				
8.0x35	D	B	A	S3



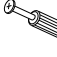




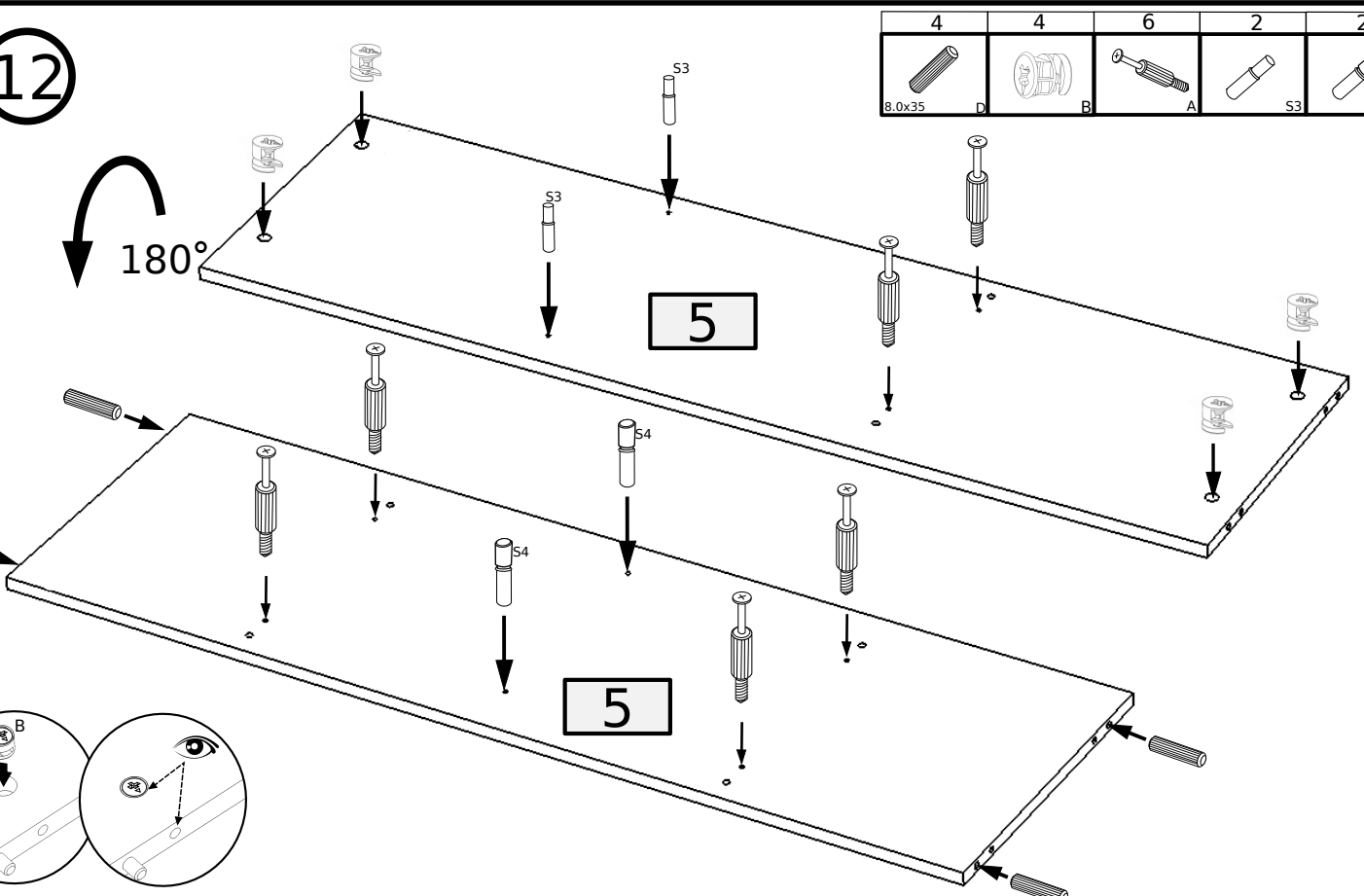
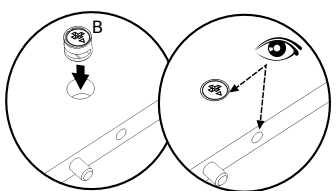
11

4	4	4	2	4
				
8.0x35	D	B	A	S4

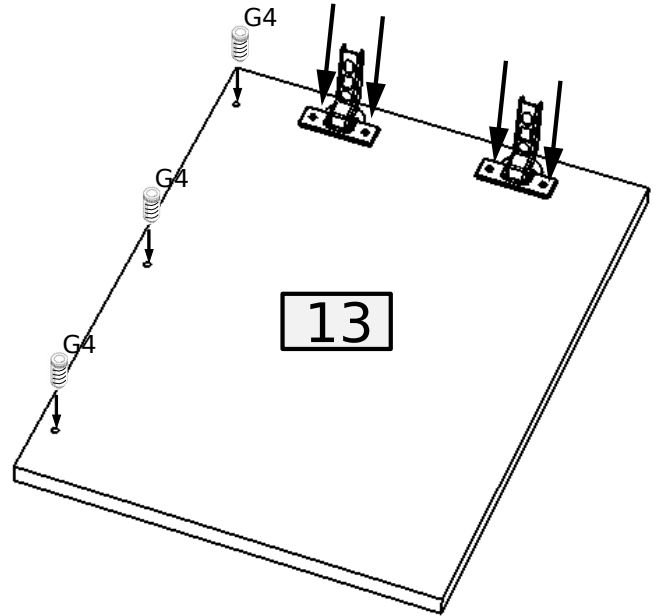
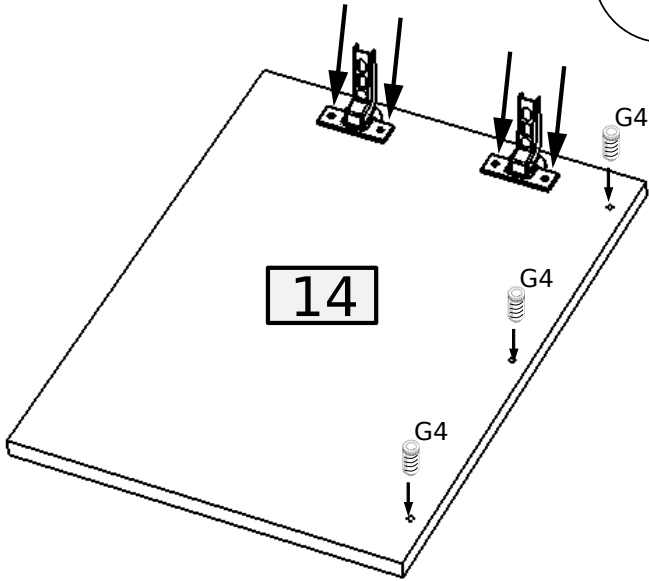
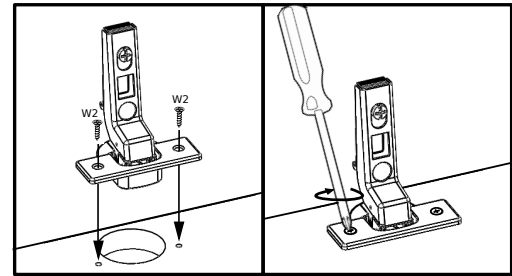
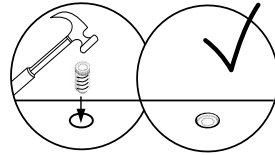





12

4	4	6	2	2
				
8.0x35	D	B	A	S3





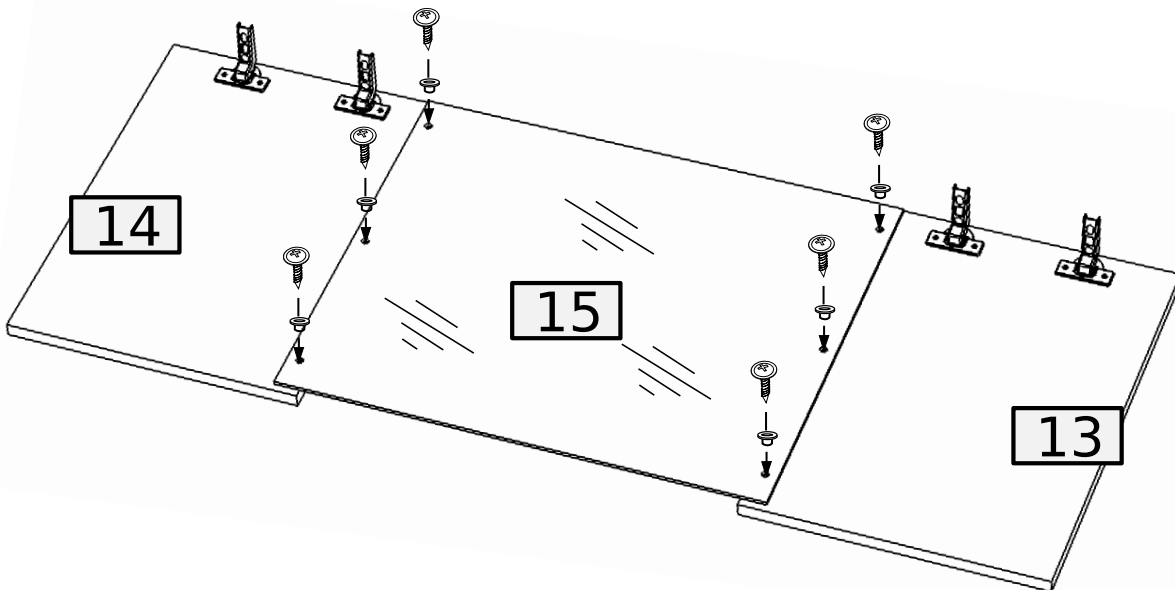
13



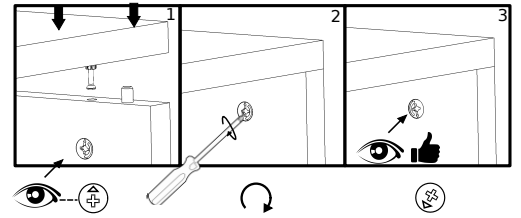
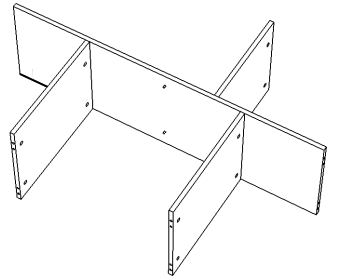
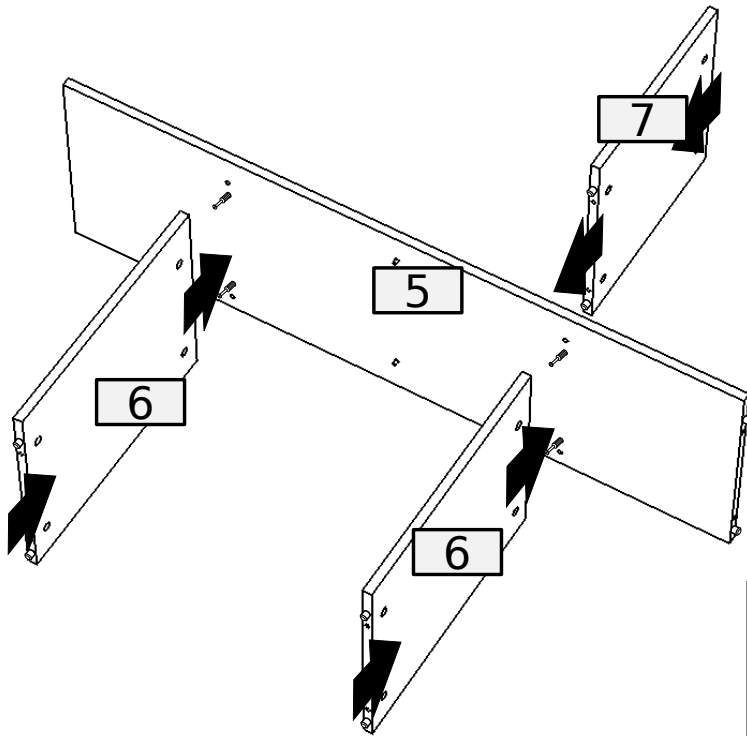
		
G4	3.5x16 W2	Z
6	8	4

14

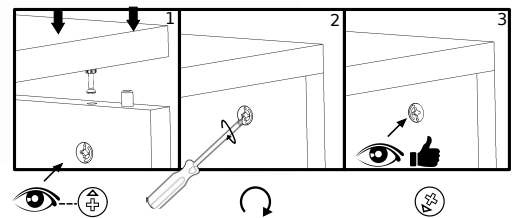
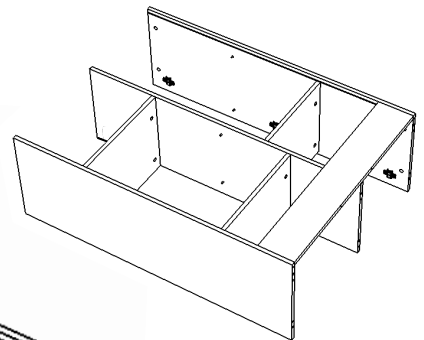
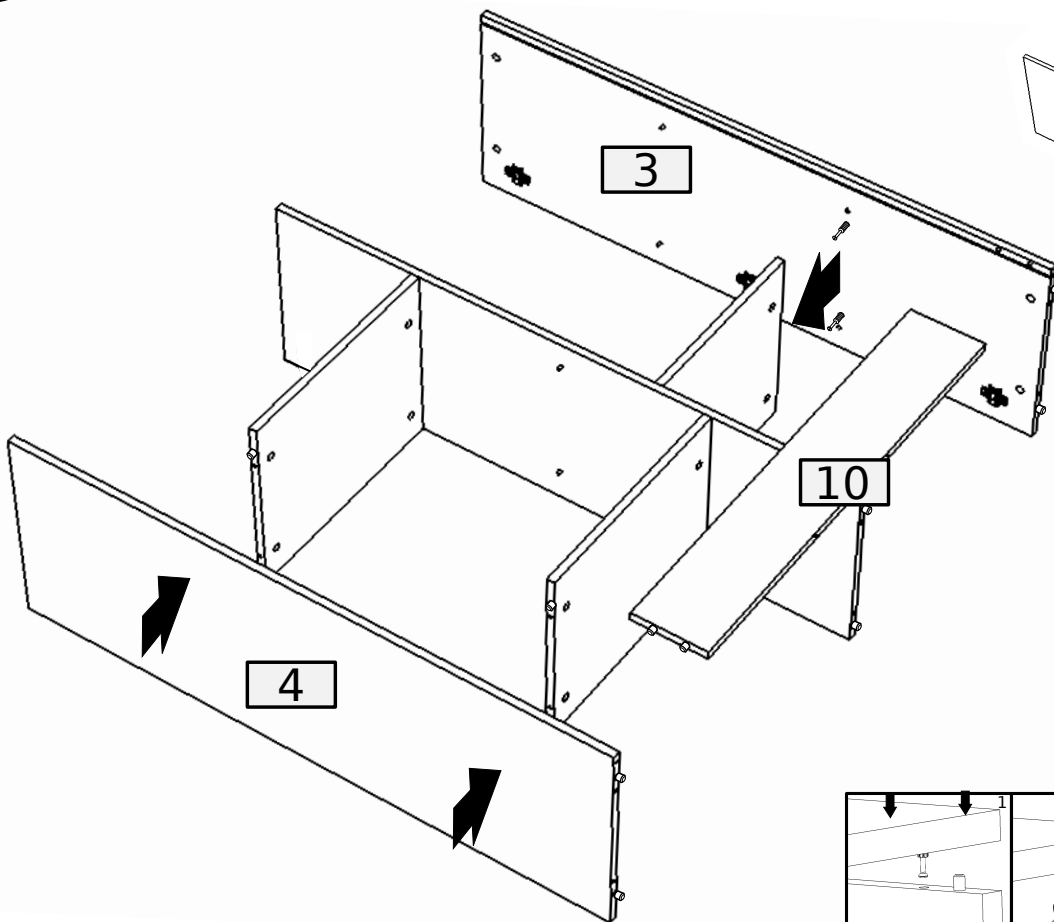
	
3.5x16	W4T
6	6



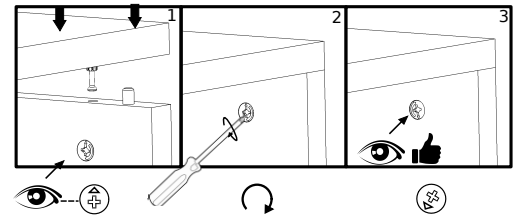
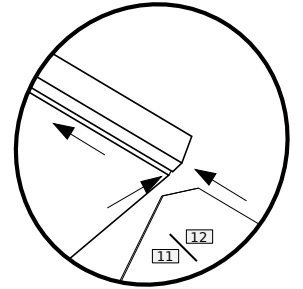
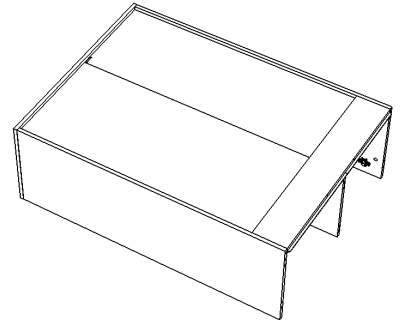
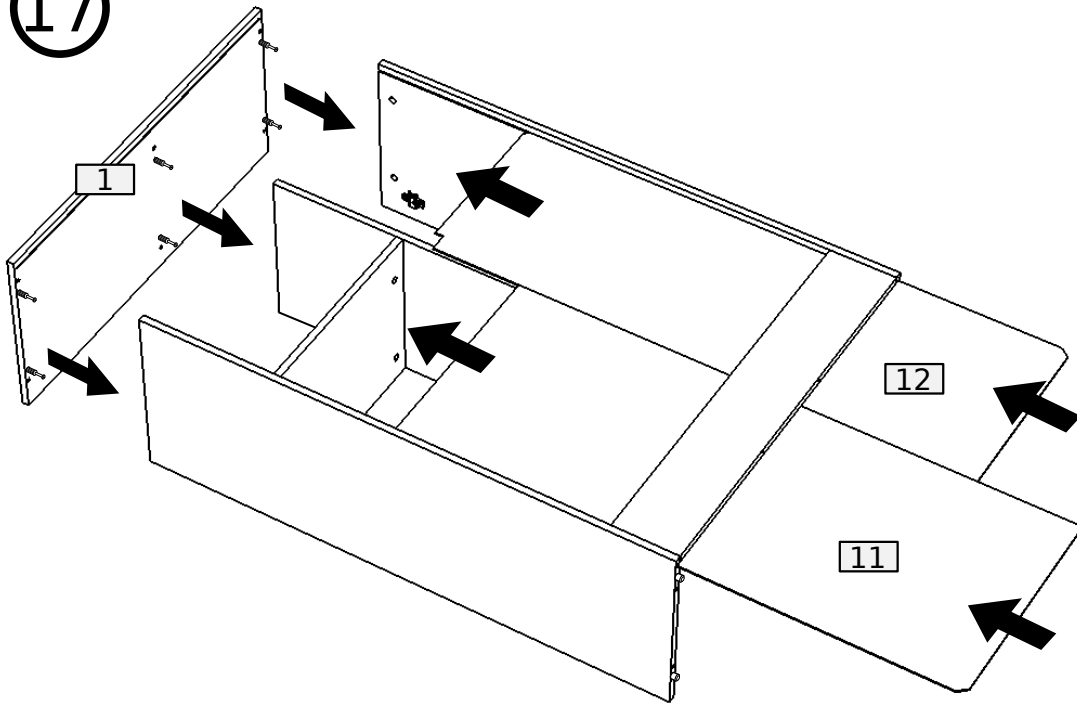
15



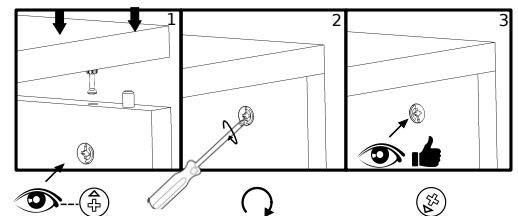
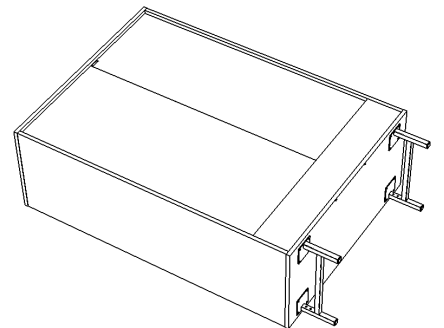
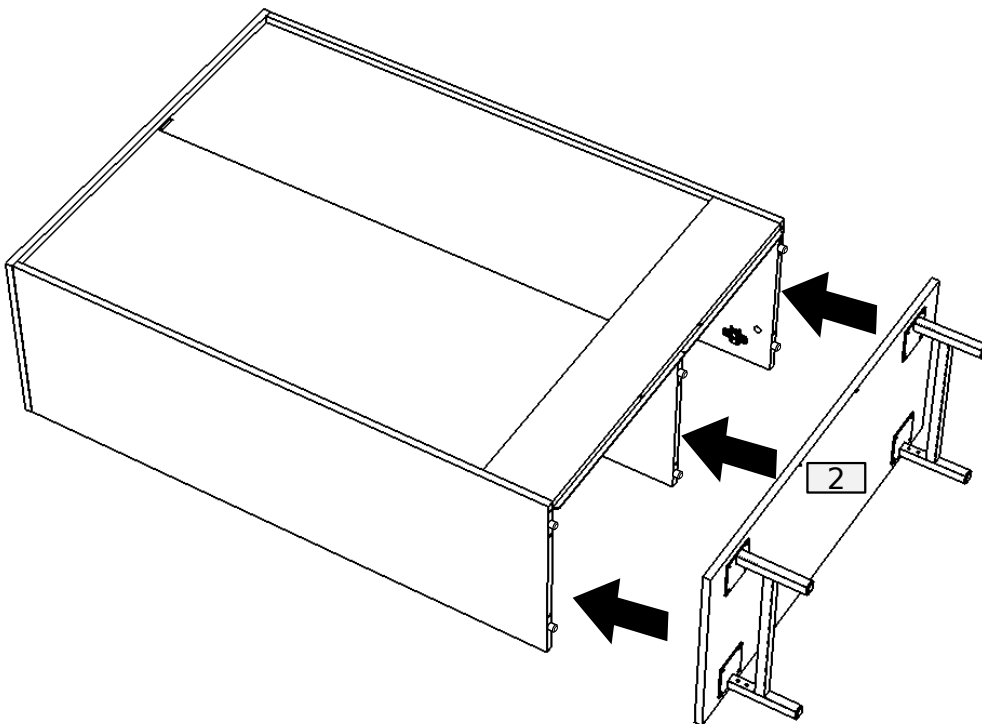
16



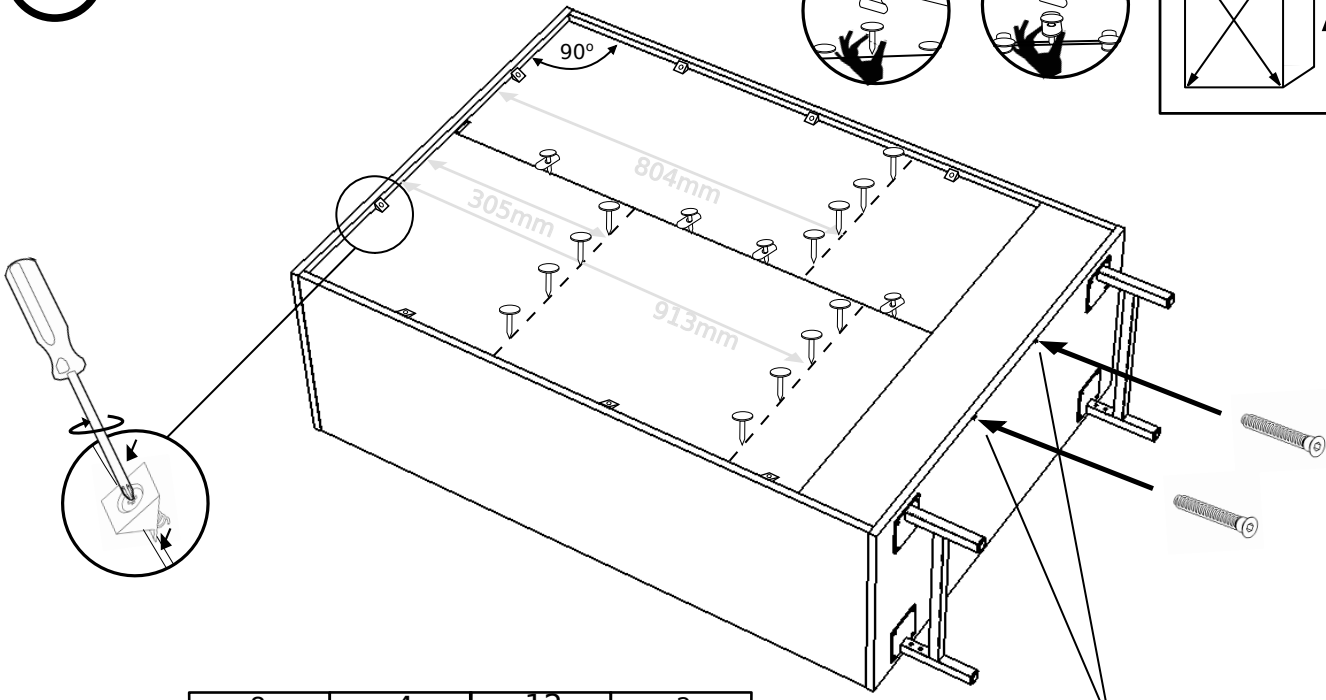
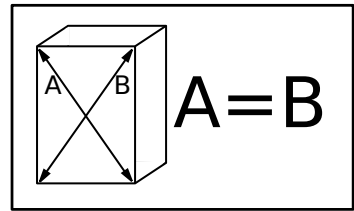
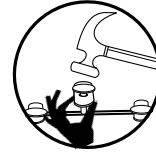
17



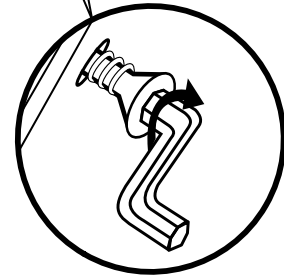
18



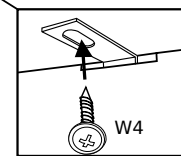
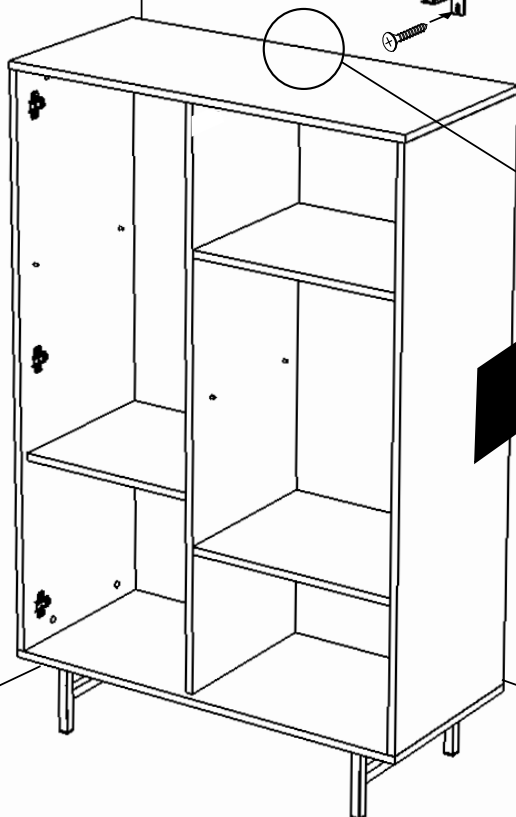
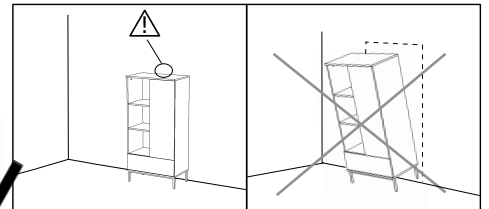
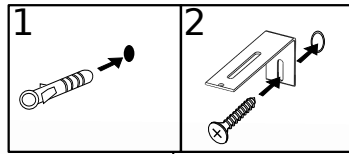
19



8	4	12	2
	G2	G	O

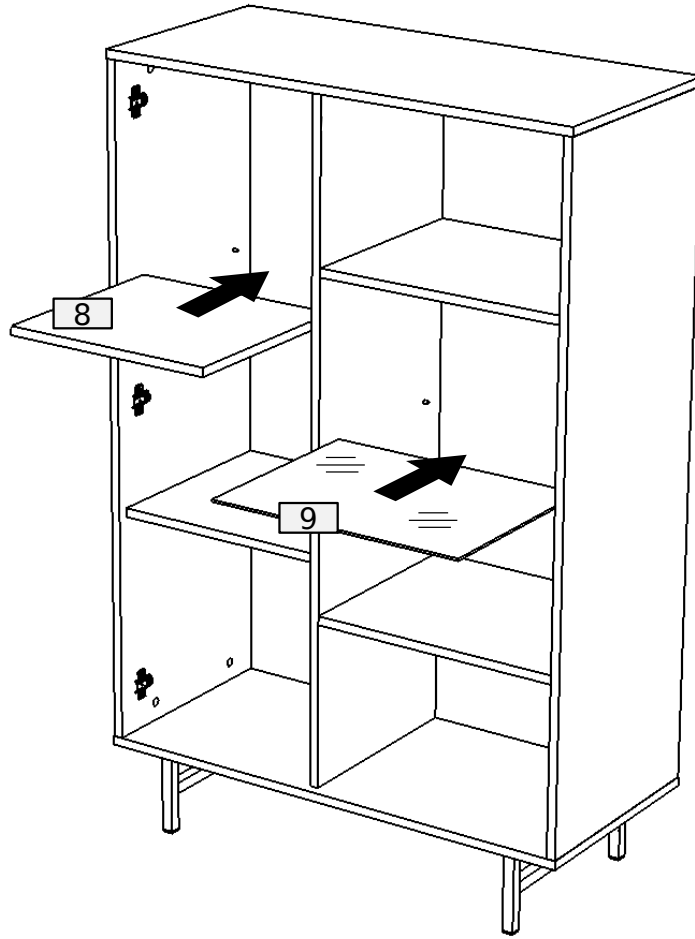


20

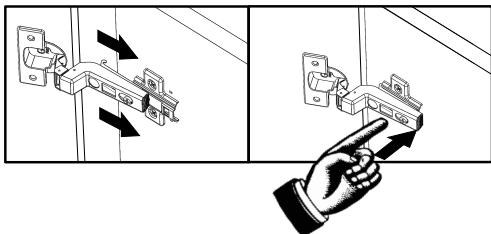
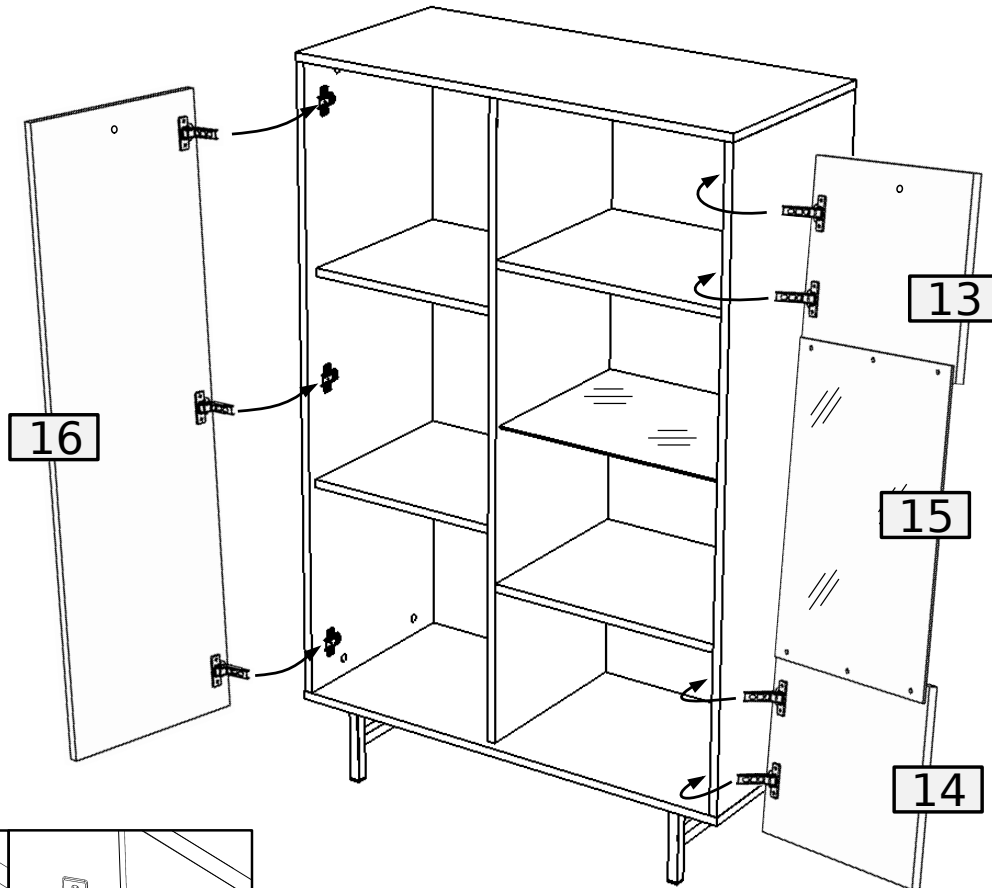


1	1
3.5x16	W4
	KS



21



22



23

2	2
	
UVR 3.5x25	W10

