

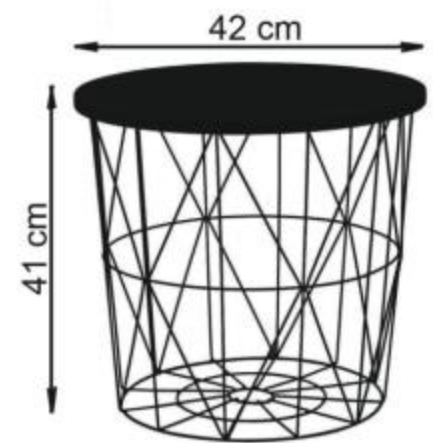
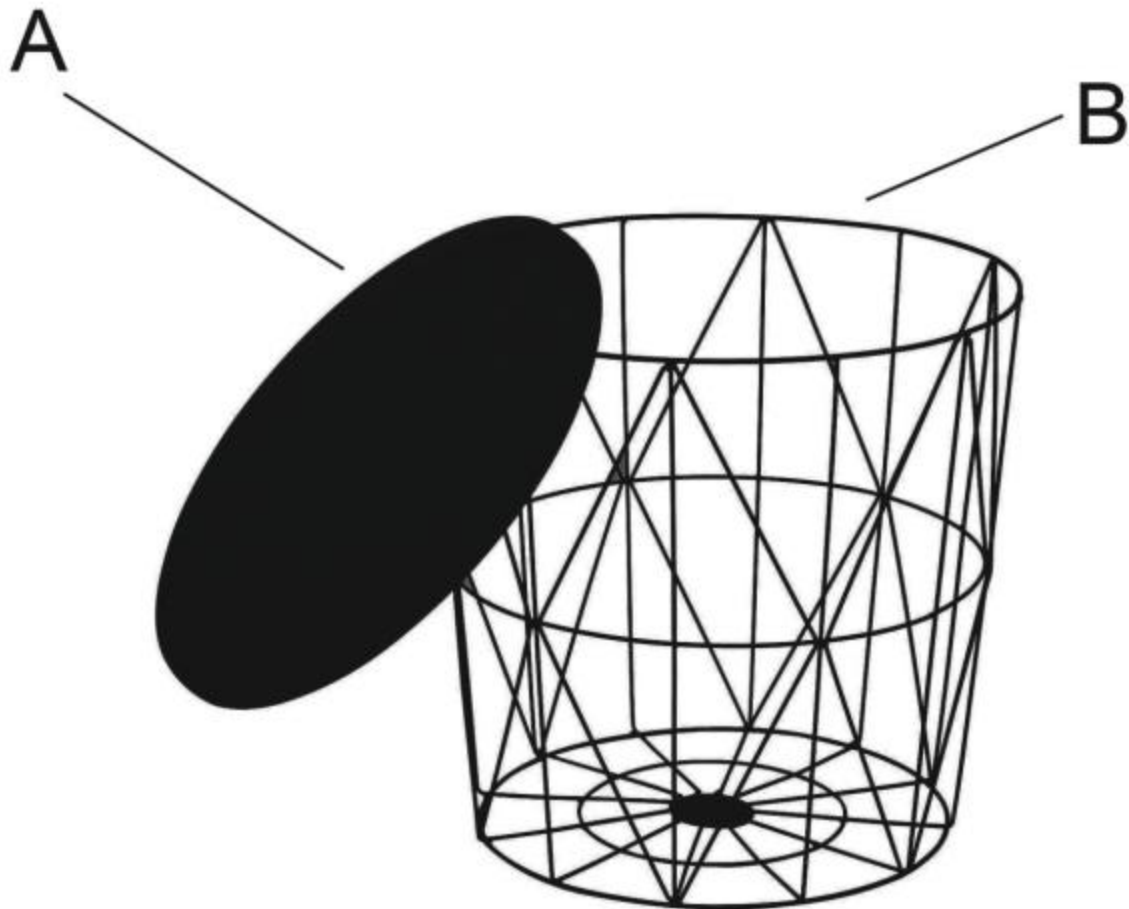



A		1
B		1



 max. 10 kg