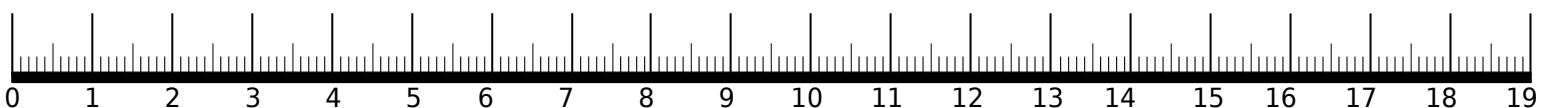
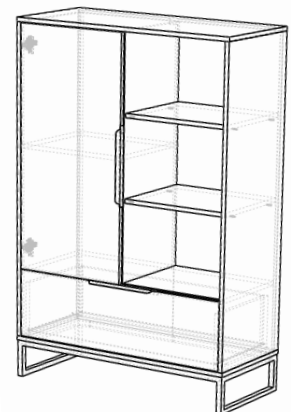
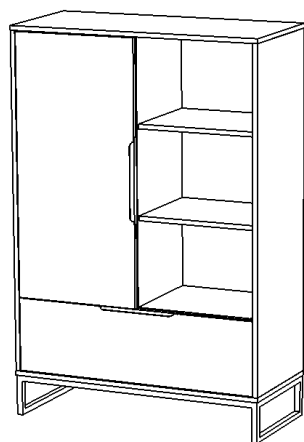
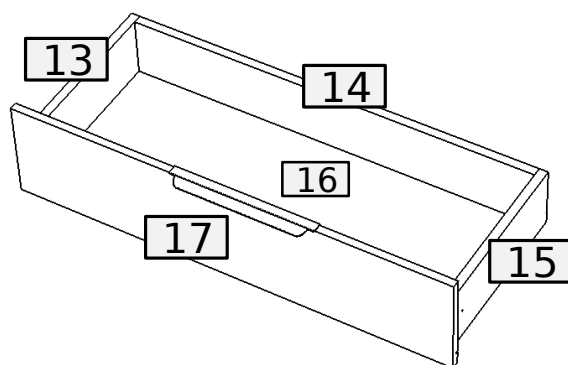
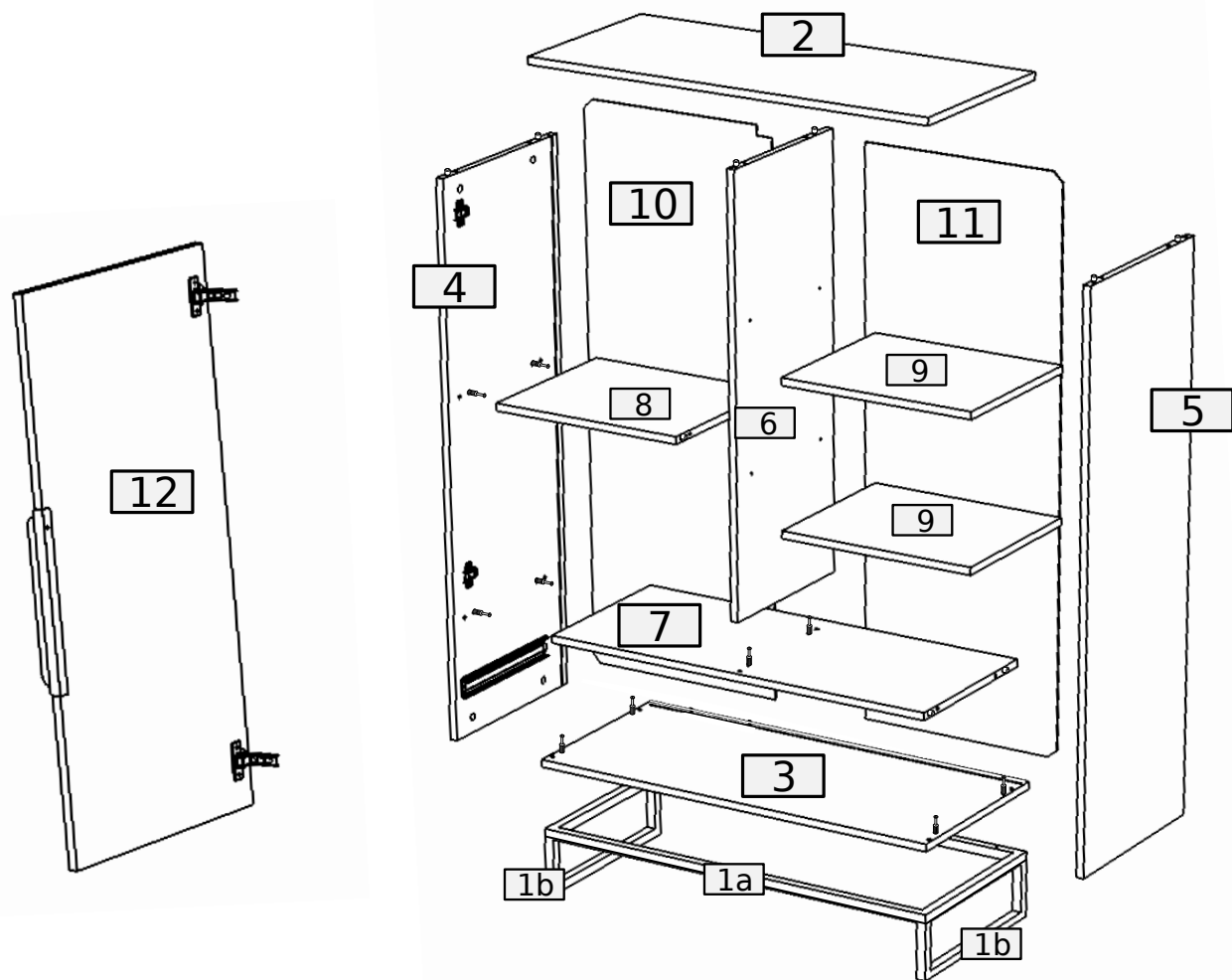


24	24	28	12	6	14	1	2	1	6
B	A	8.0x35	D 3.5x16	W2 G	I	KS	PZ	U1	G4
X	L-350	PK 3.0x20	W1 3.5x16	S3	3.0x16	W3 256	UL	Z	G2
16	1	5	1	8	4	2	2	4	

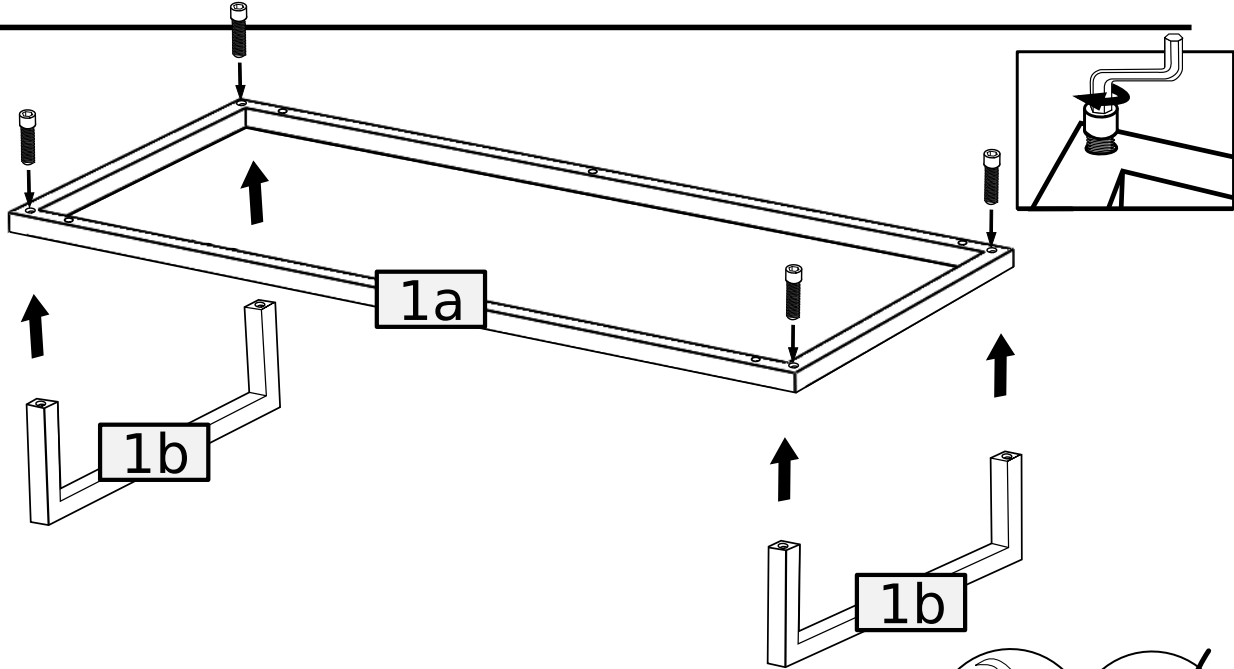
1	4	6
U2	US	4.0x35 W11



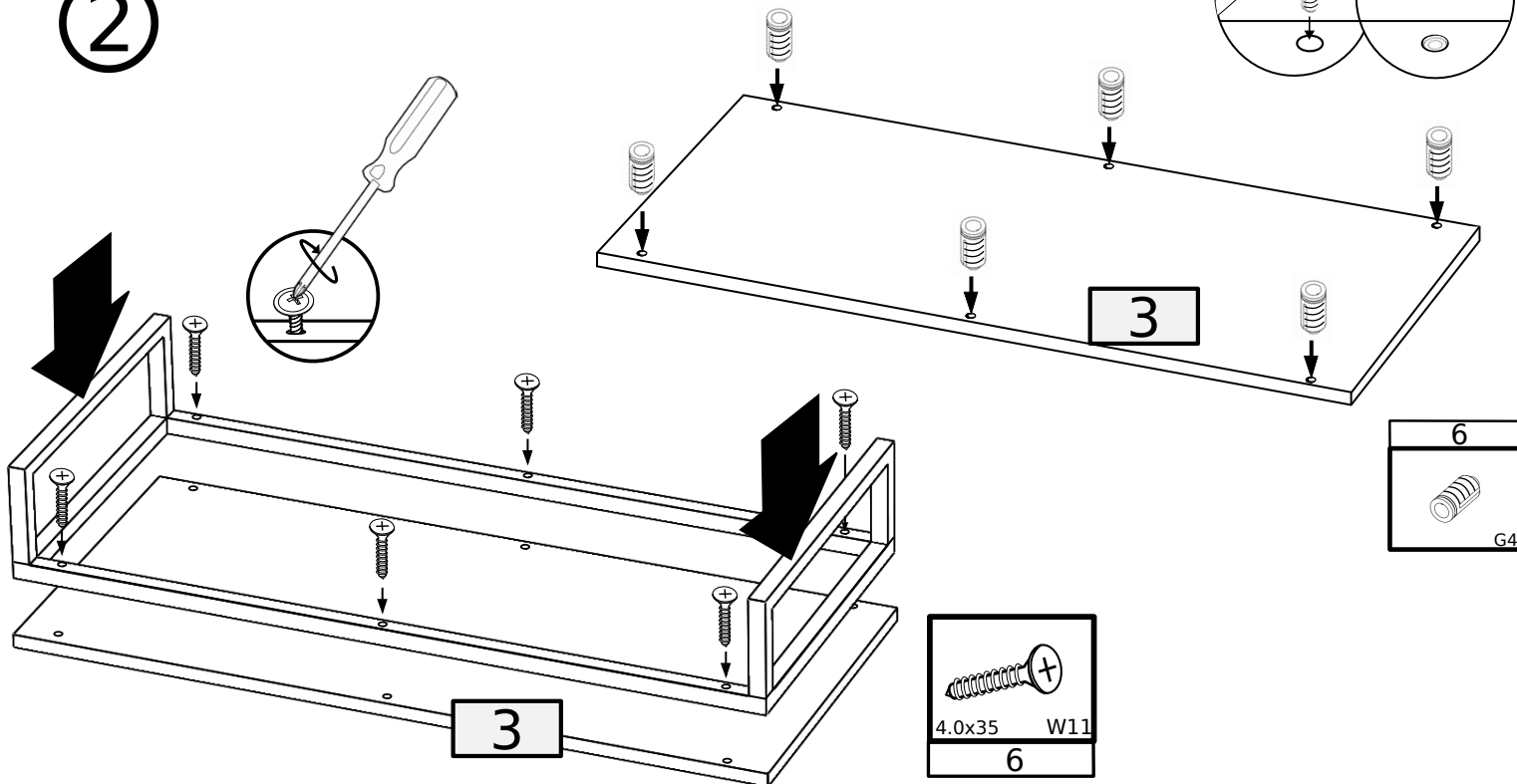


No.	Pcs.	L	W	D	Pac
1a	1	895	395	20	2/2
1b	1	120	395	20	2/2
2	1	900	400	16	2/2
3	1	900	400	16	2/2
4	1	1178	399	16	1/2
5	1	1178	399	16	1/2
6	1	916	360	16	2/2
7	1	866	360	16	2/2
8	1	425	360	16	1/2
9	2	425	360	16	1/2
10	1	1192	440	3	1/2
11	1	1192	440	3	1/2
12	1	915	437	16	1/2
13	1	350	200	16	2/2
14	1	809	182	16	2/2
15	1	350	200	16	2/2
16	1	824	357	3	1/2
17	1	862	252	16	2/2

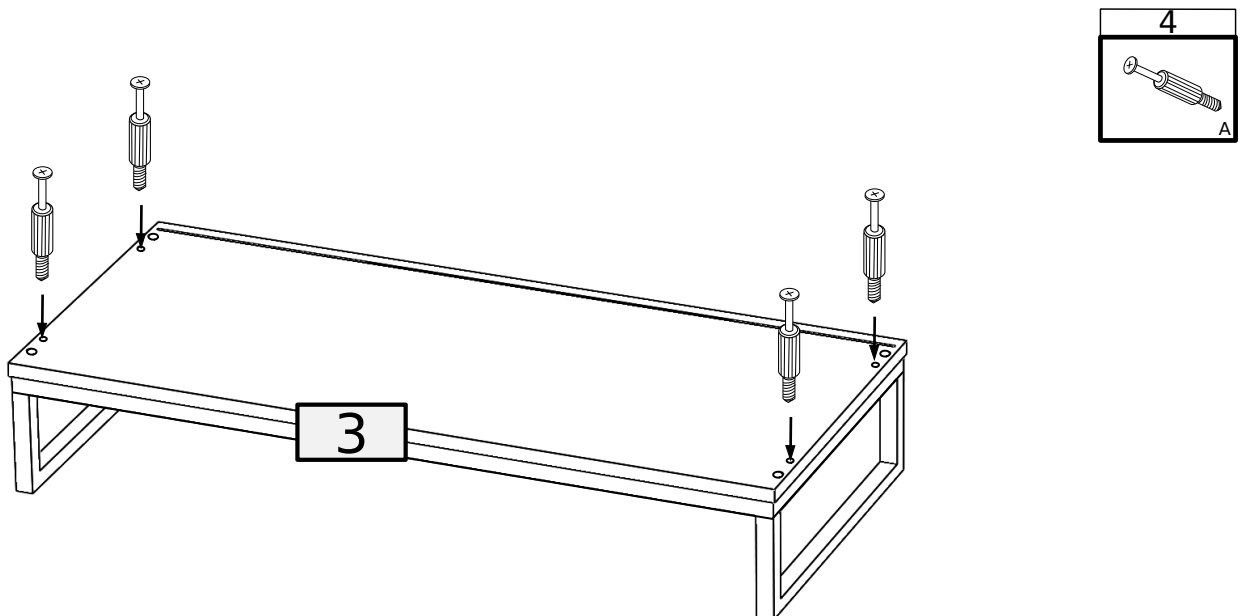
①



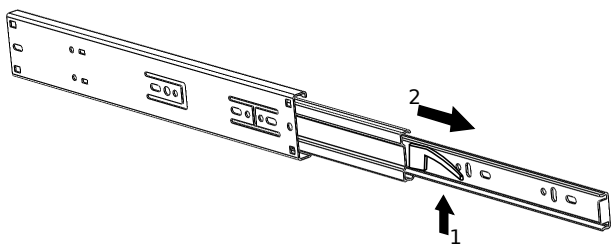
②



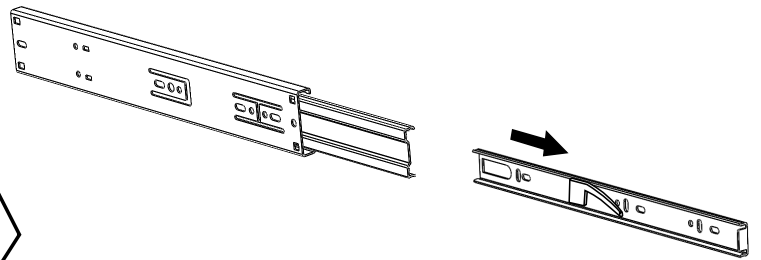
③





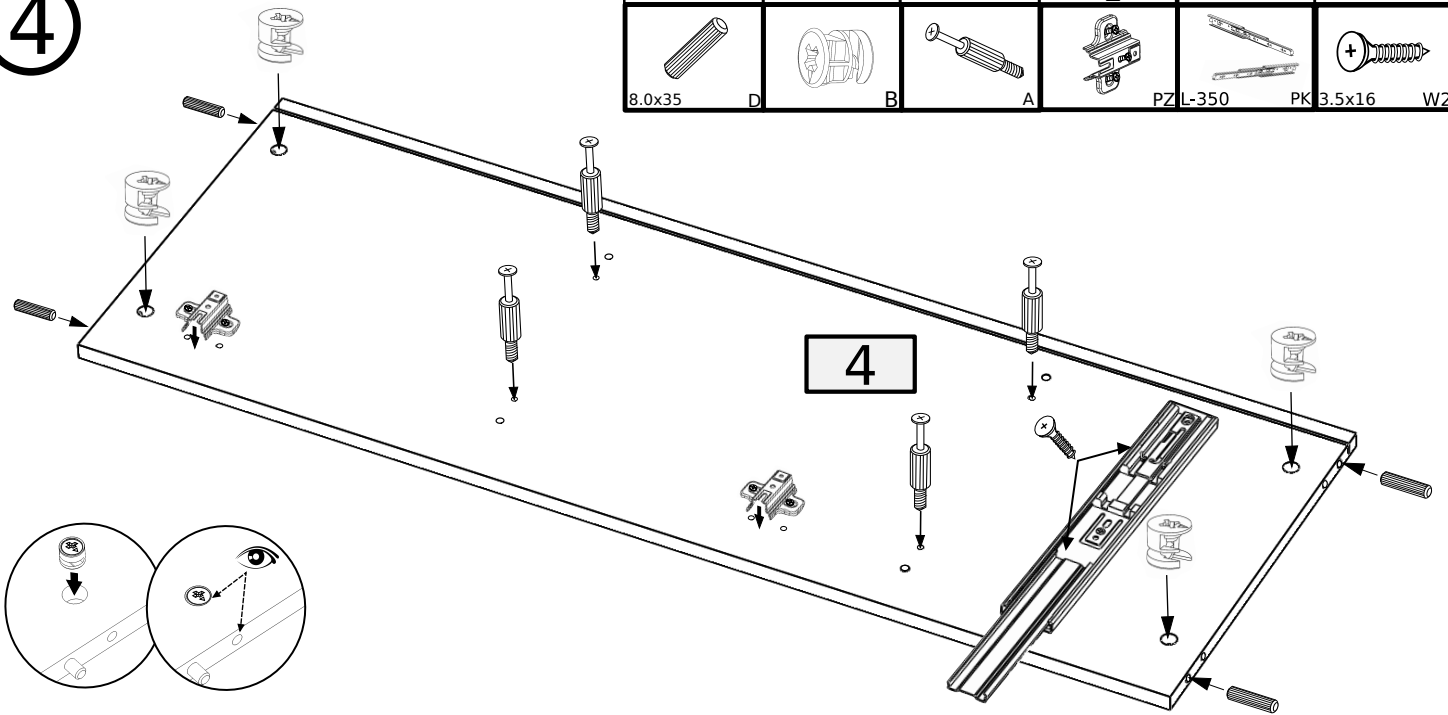


PK



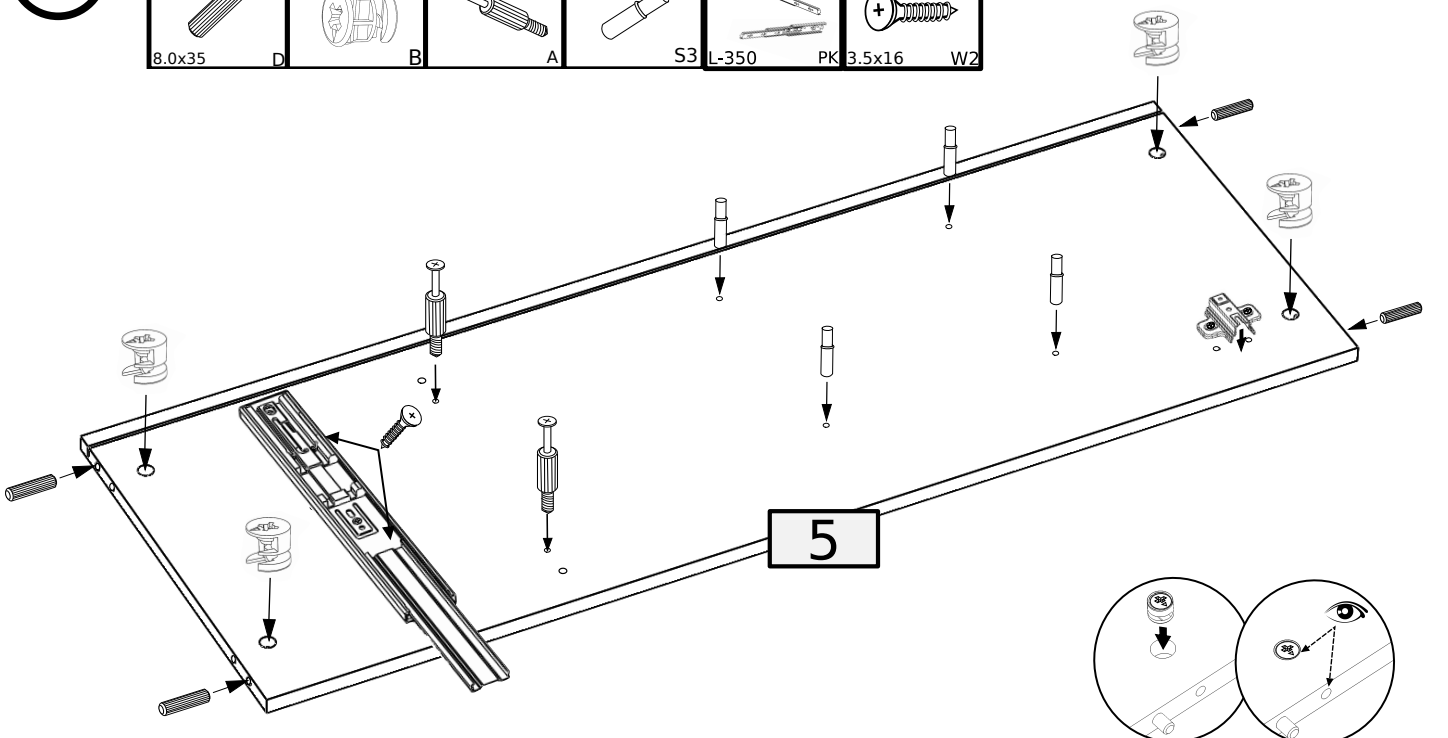
④

4	4	4	2	1	2
8.0x35	D	B	A	PZ L-350	PK 3.5x16 W2

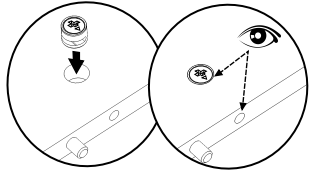


⑤

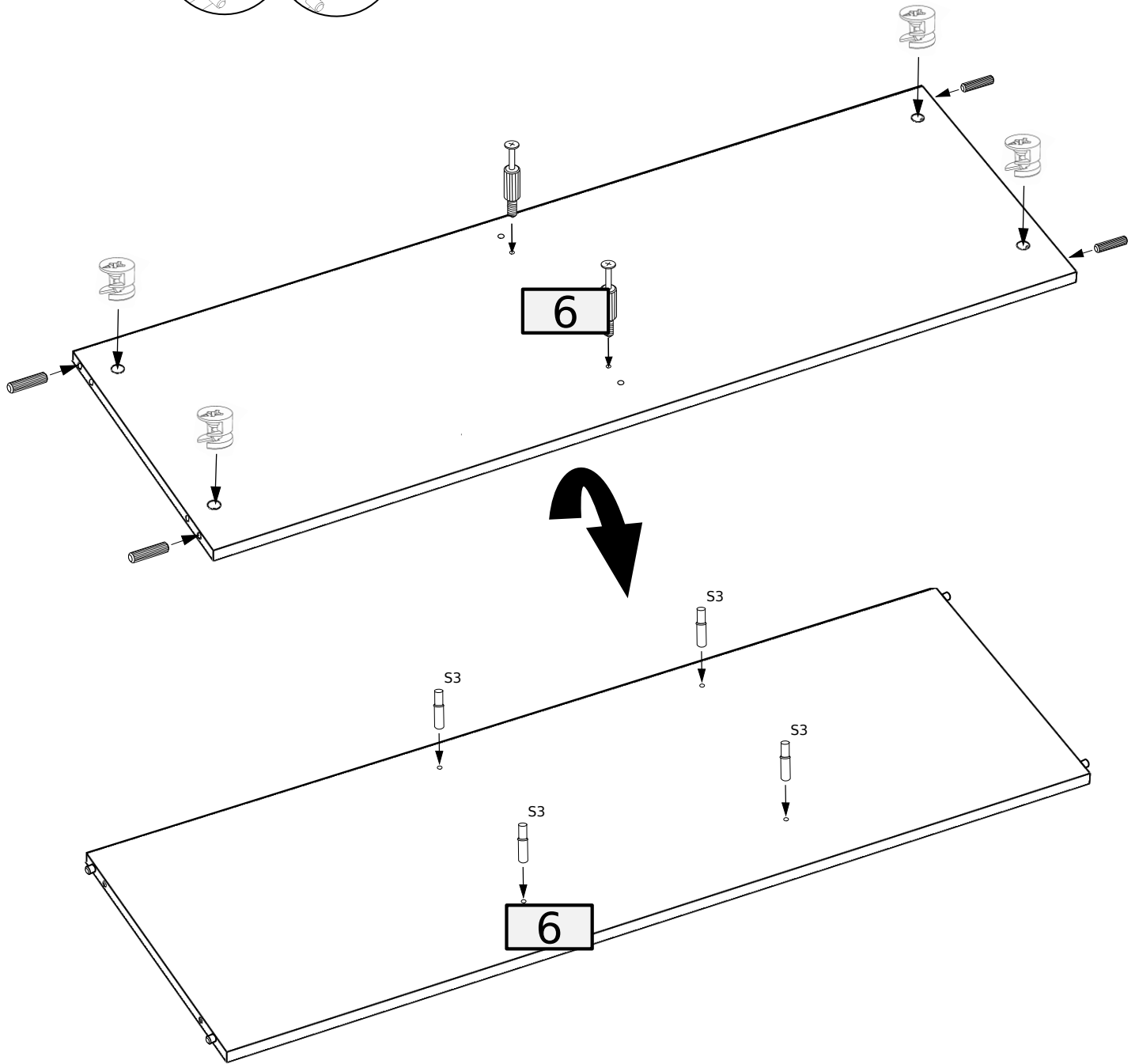
4	4	2	4	1	2
8.0x35	D	B	A	S3 L-350	PK 3.5x16 W2



6

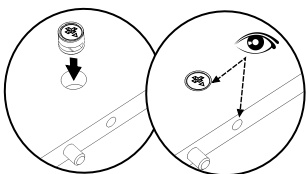
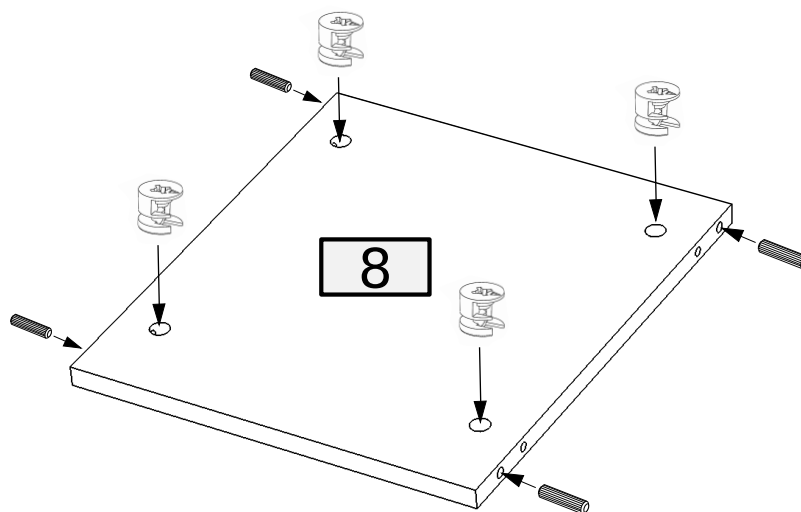


4	4	6	2	2
8.0x35	D	A	S4	S3

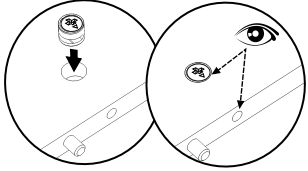
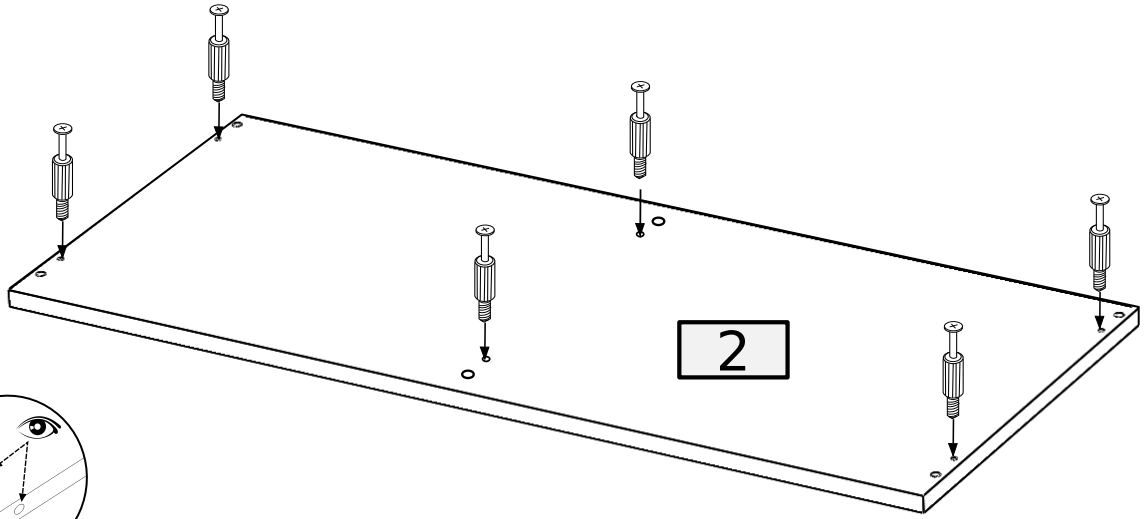
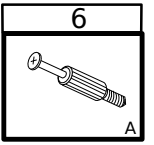


7

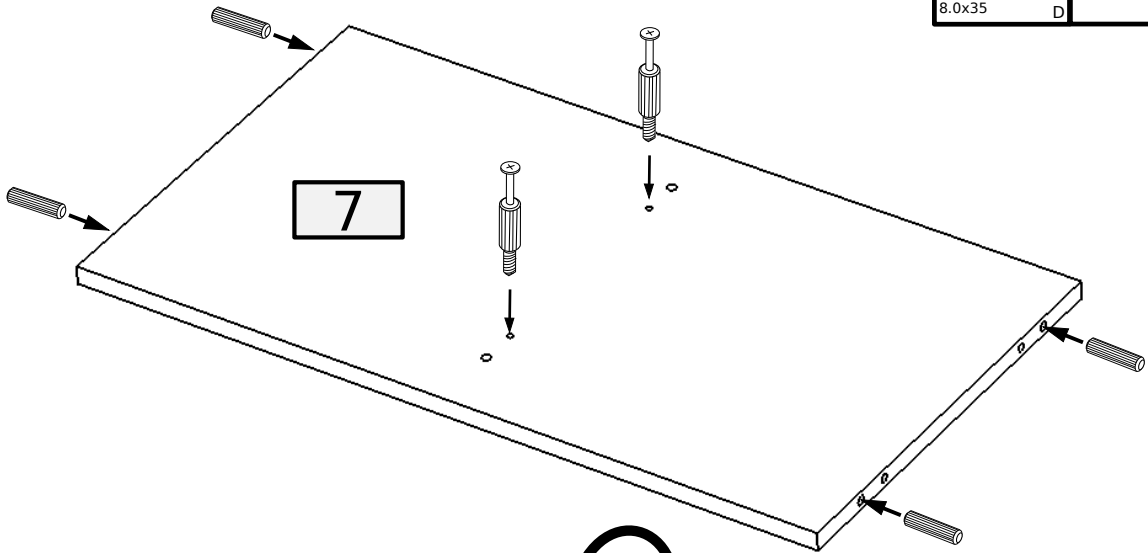
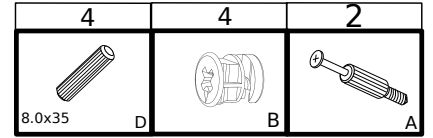
4	4
8.0x35	B



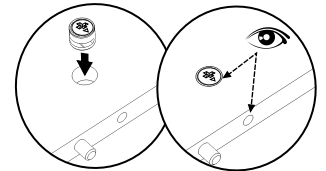
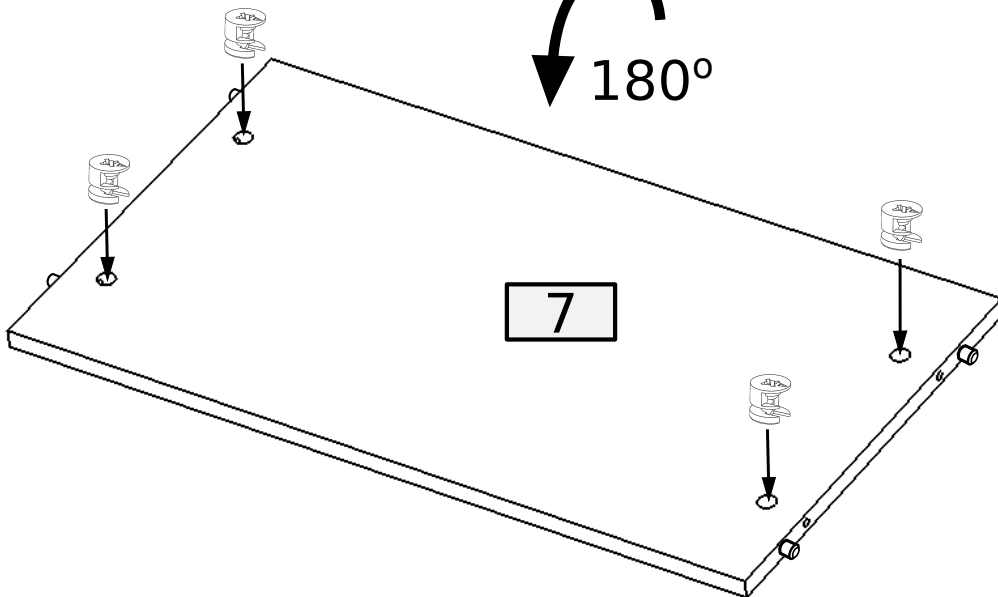
8



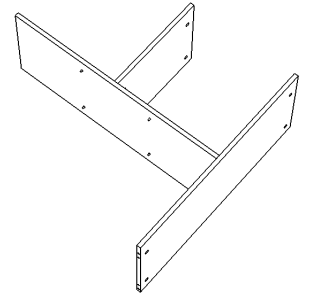
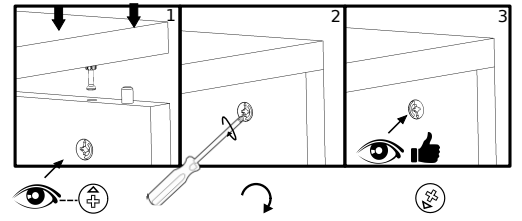
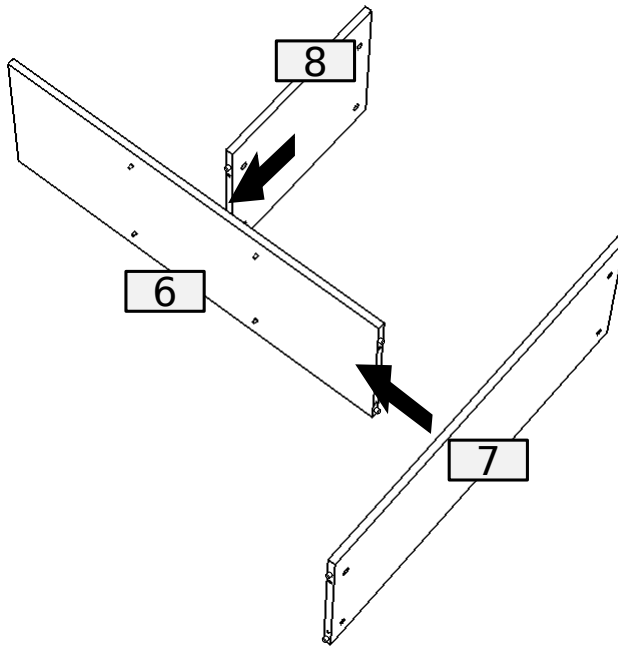
9



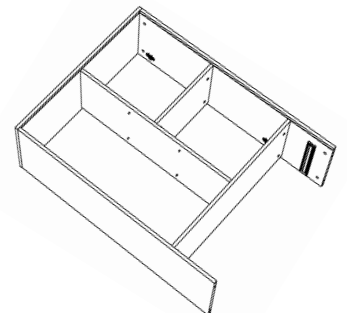
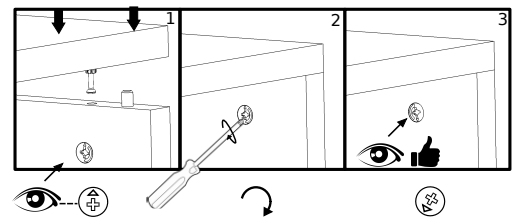
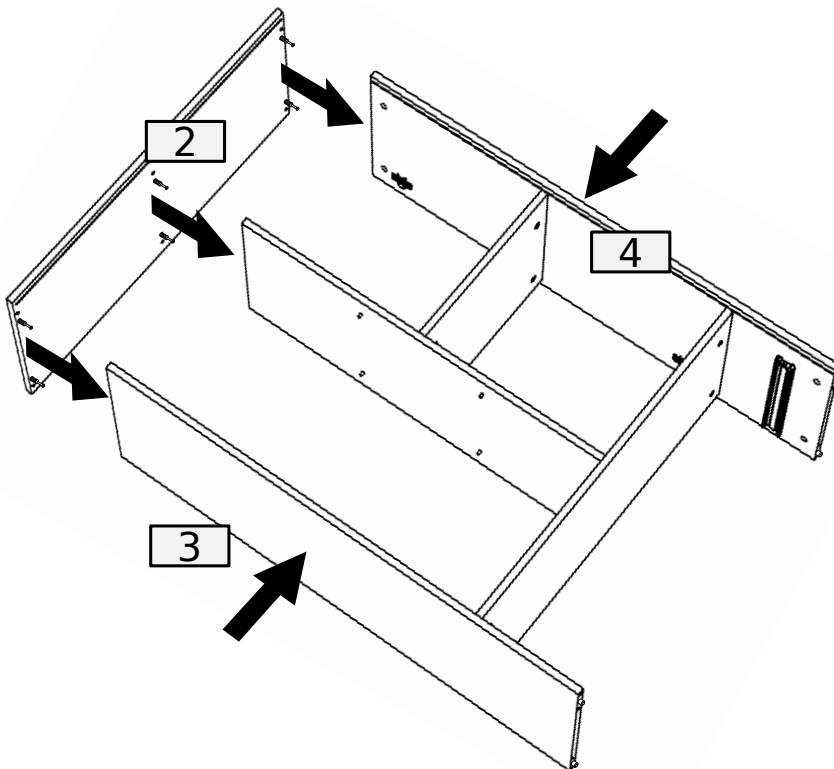
180°



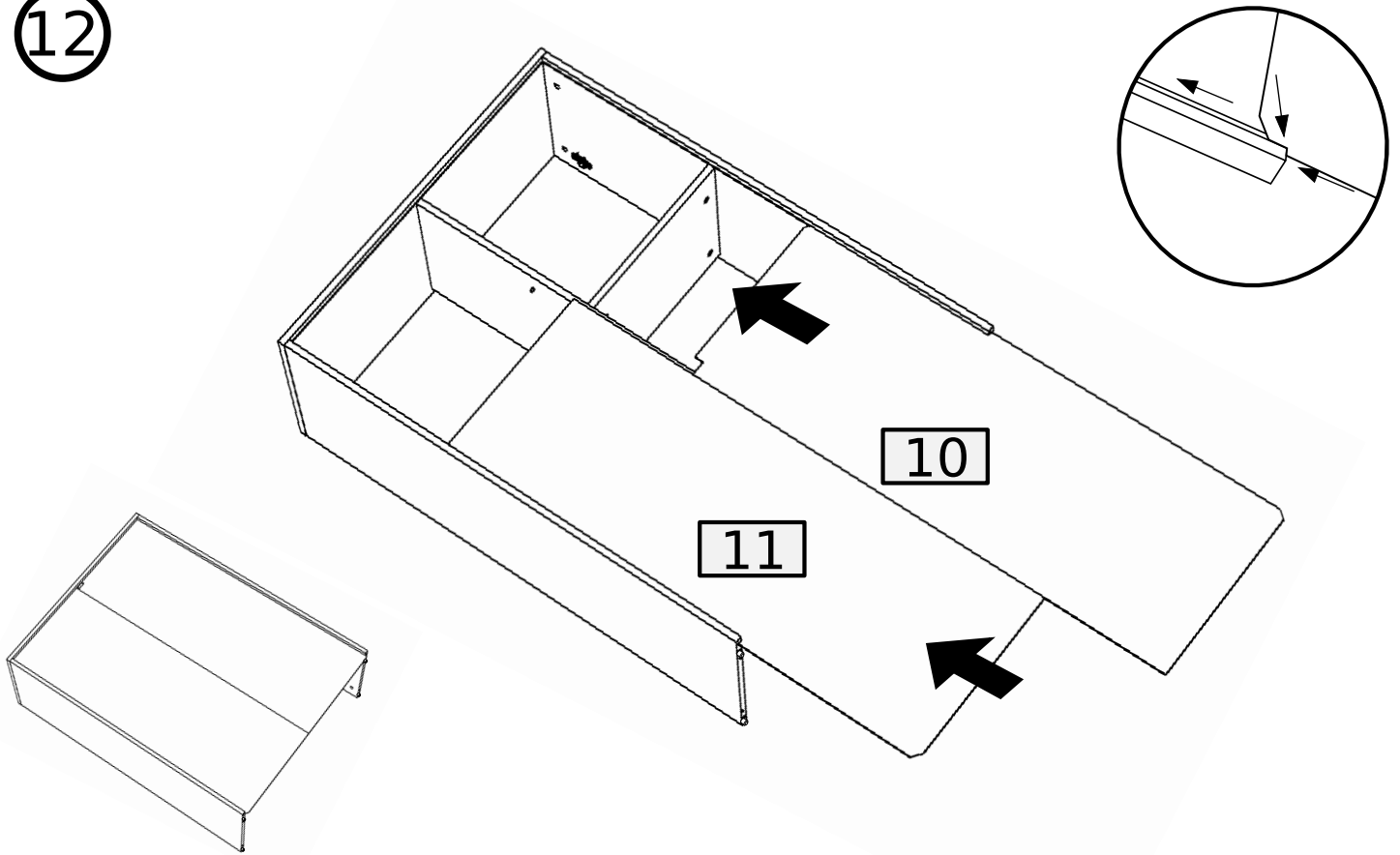
10



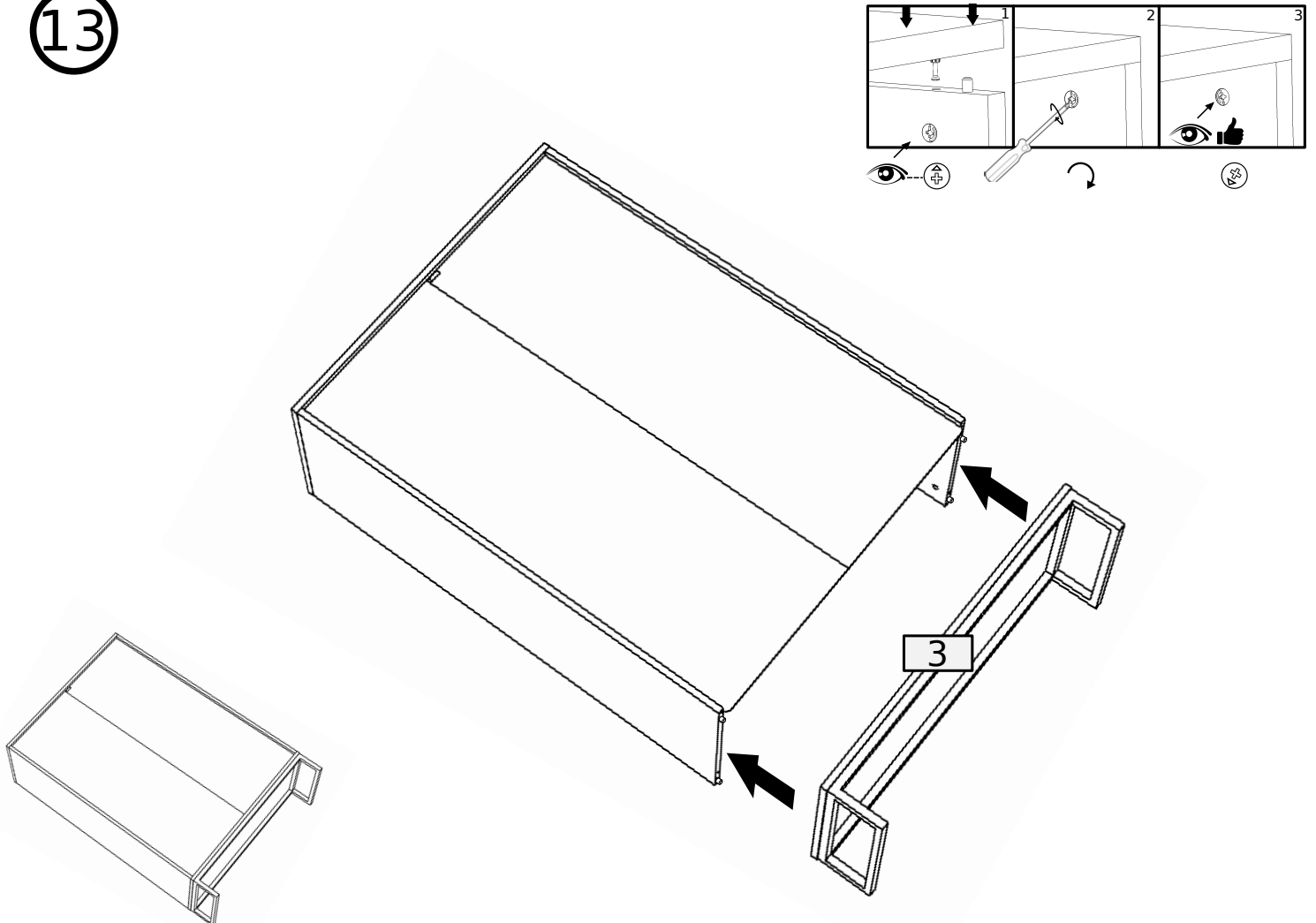
11






12

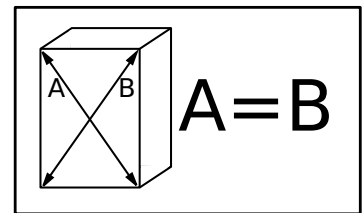
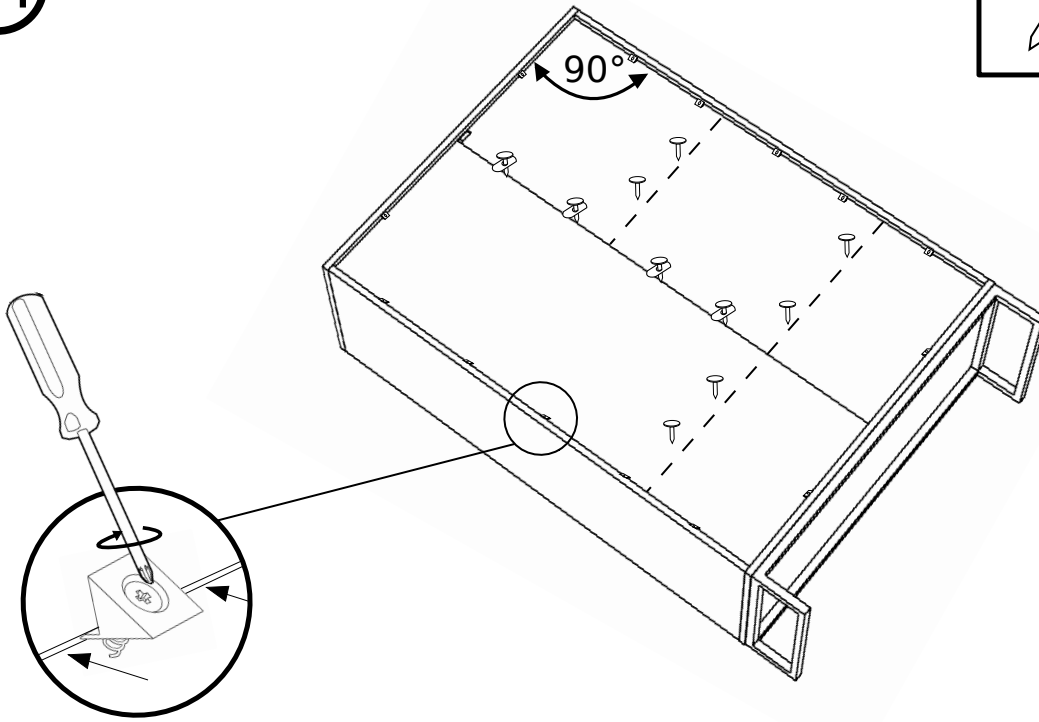


13

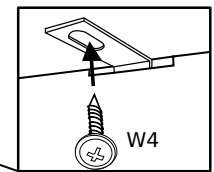
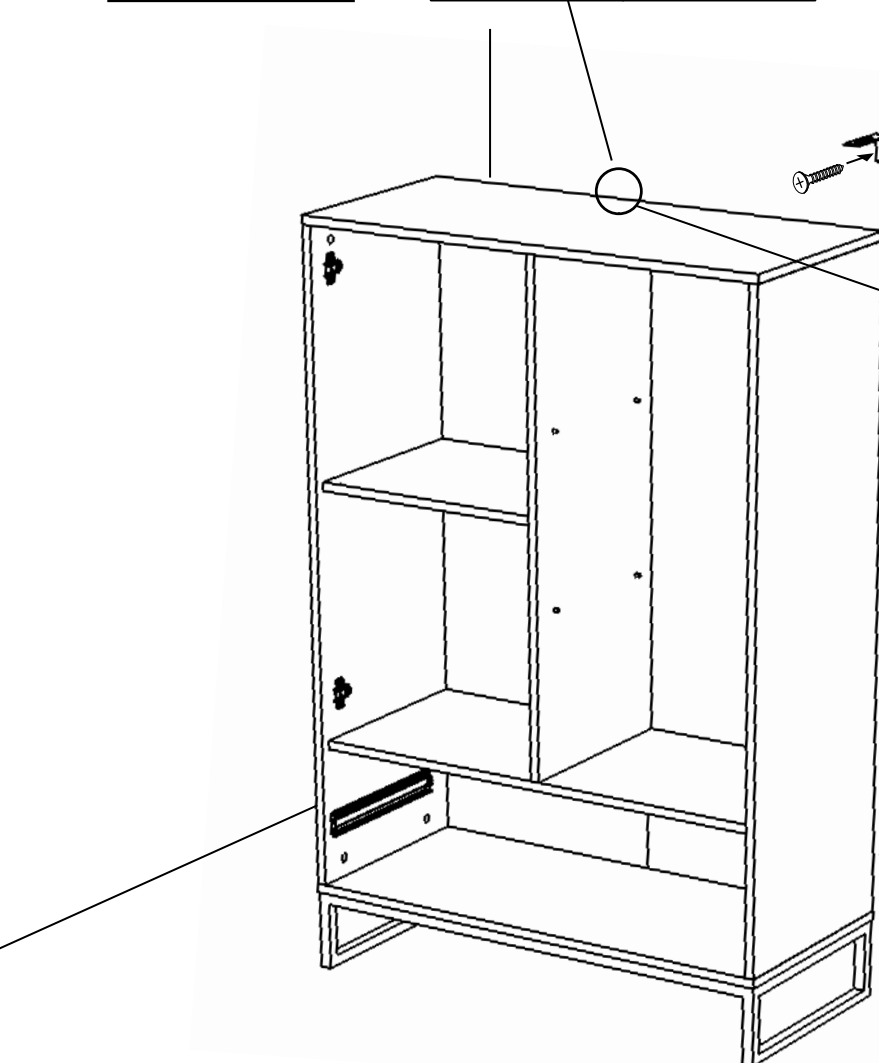
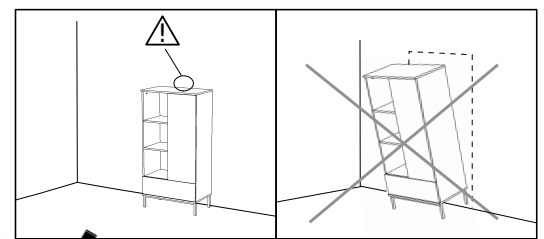
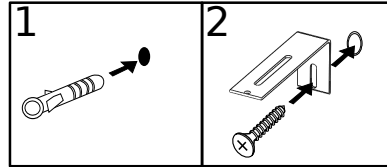



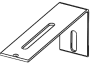
14

6	14	4
		
G	I	G2

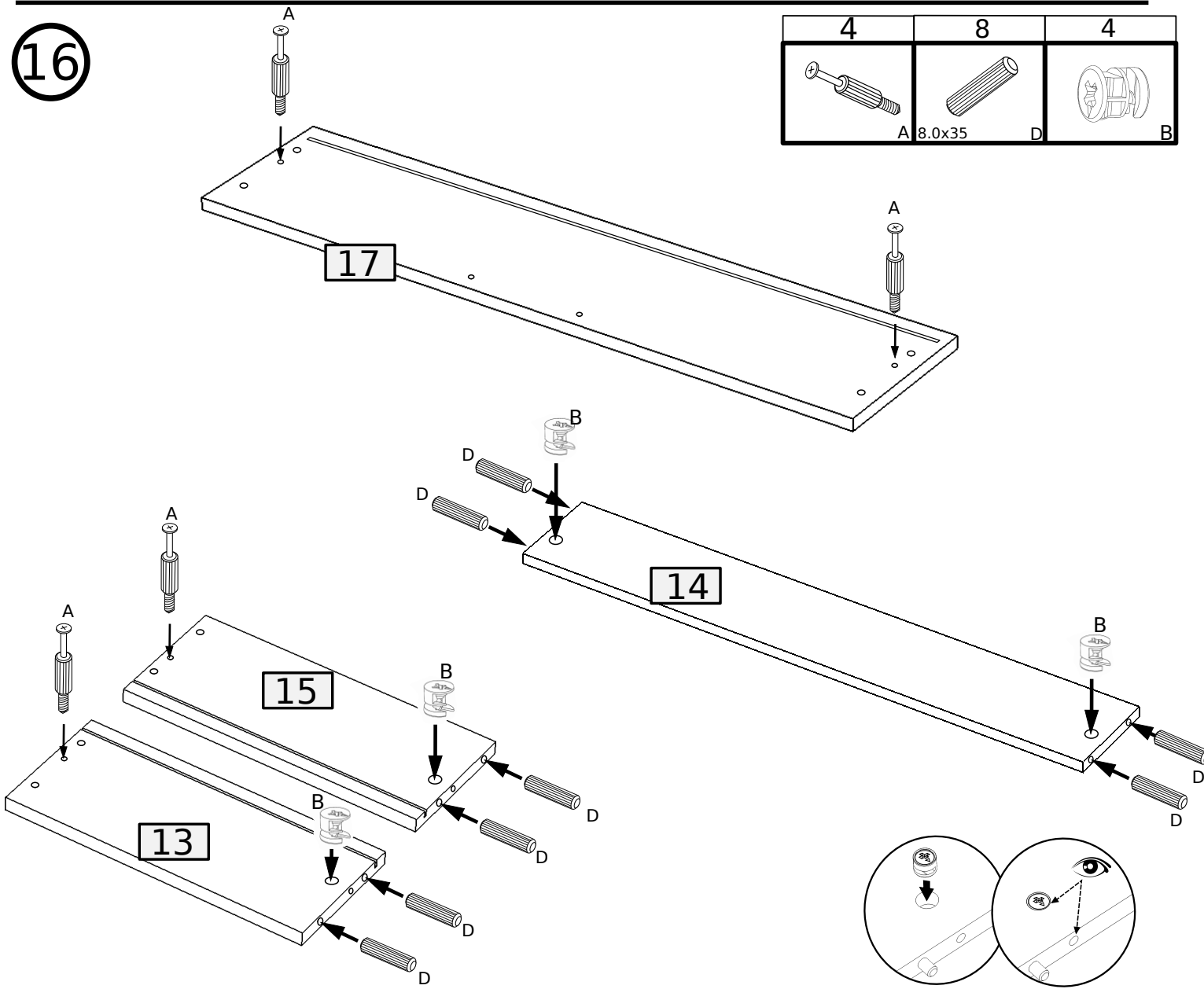


15

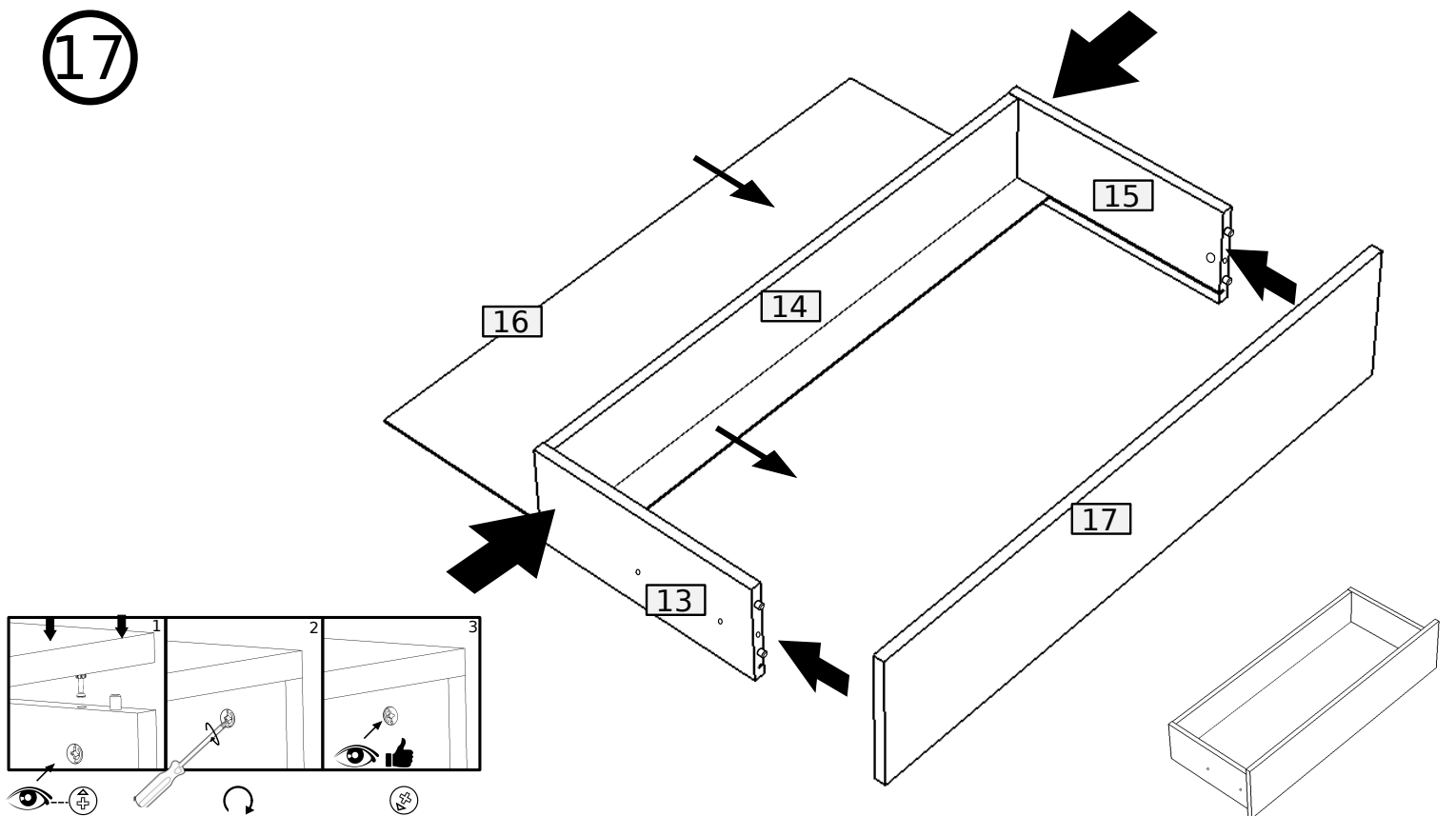


1	1
	
3.5x16 W4	KS

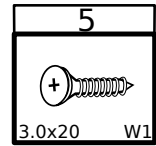
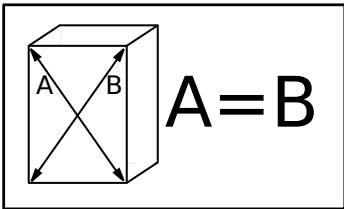
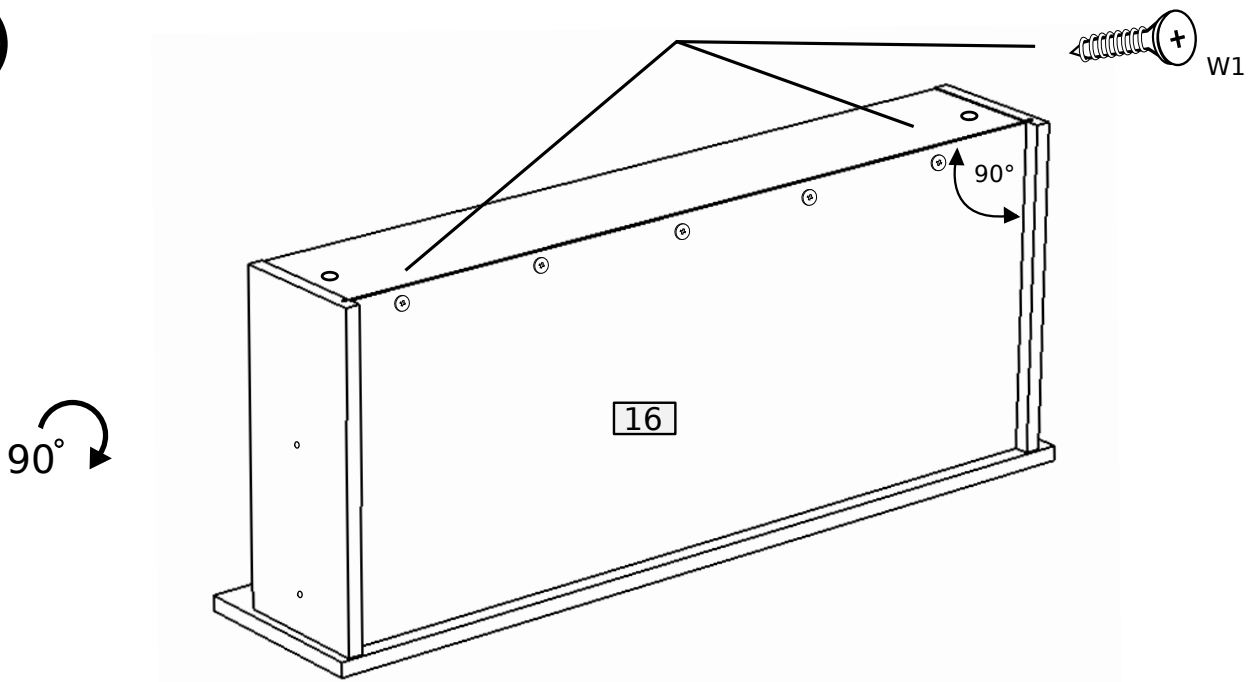
16



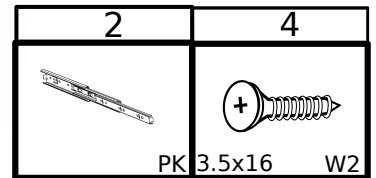
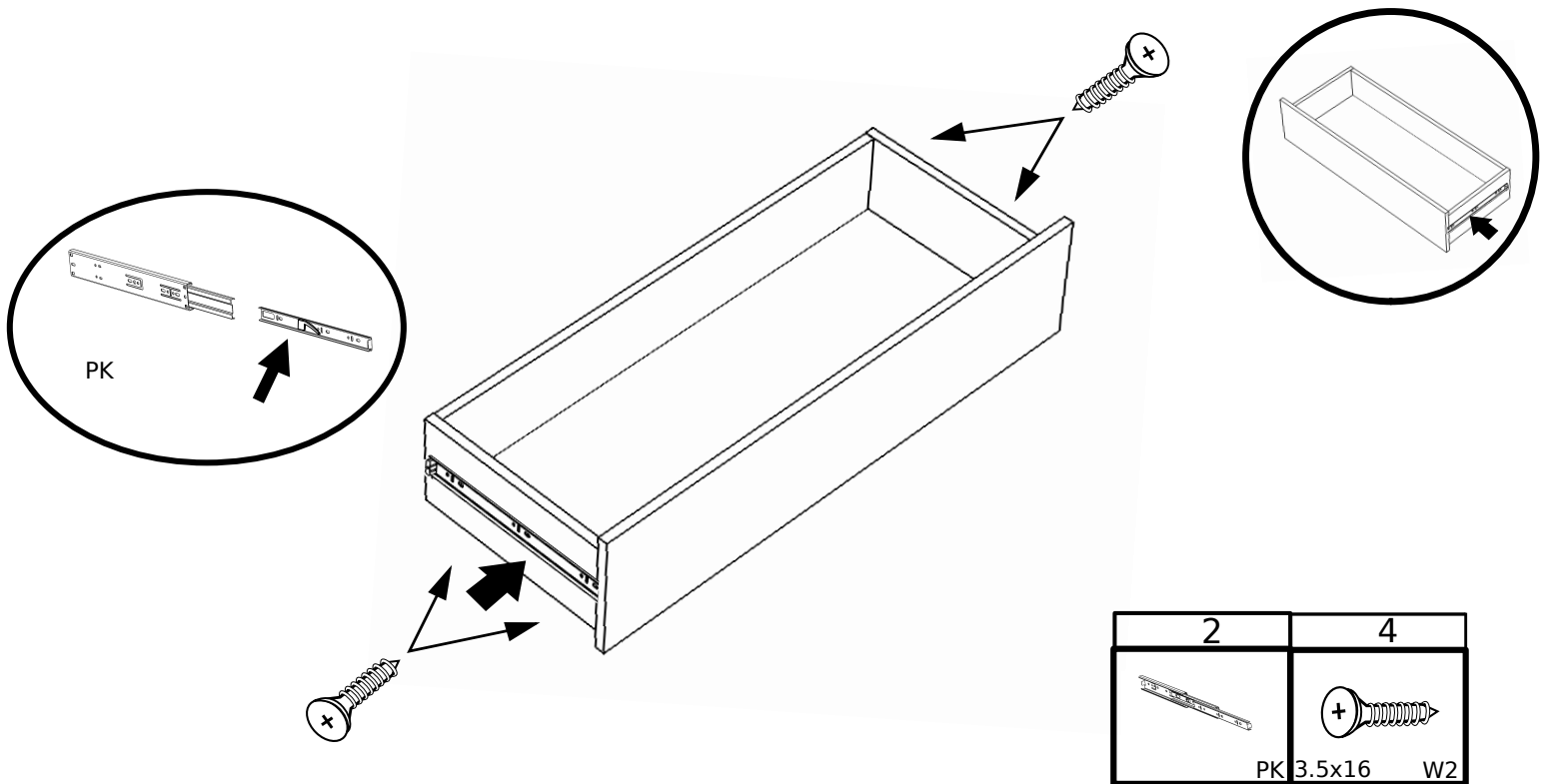
17



18

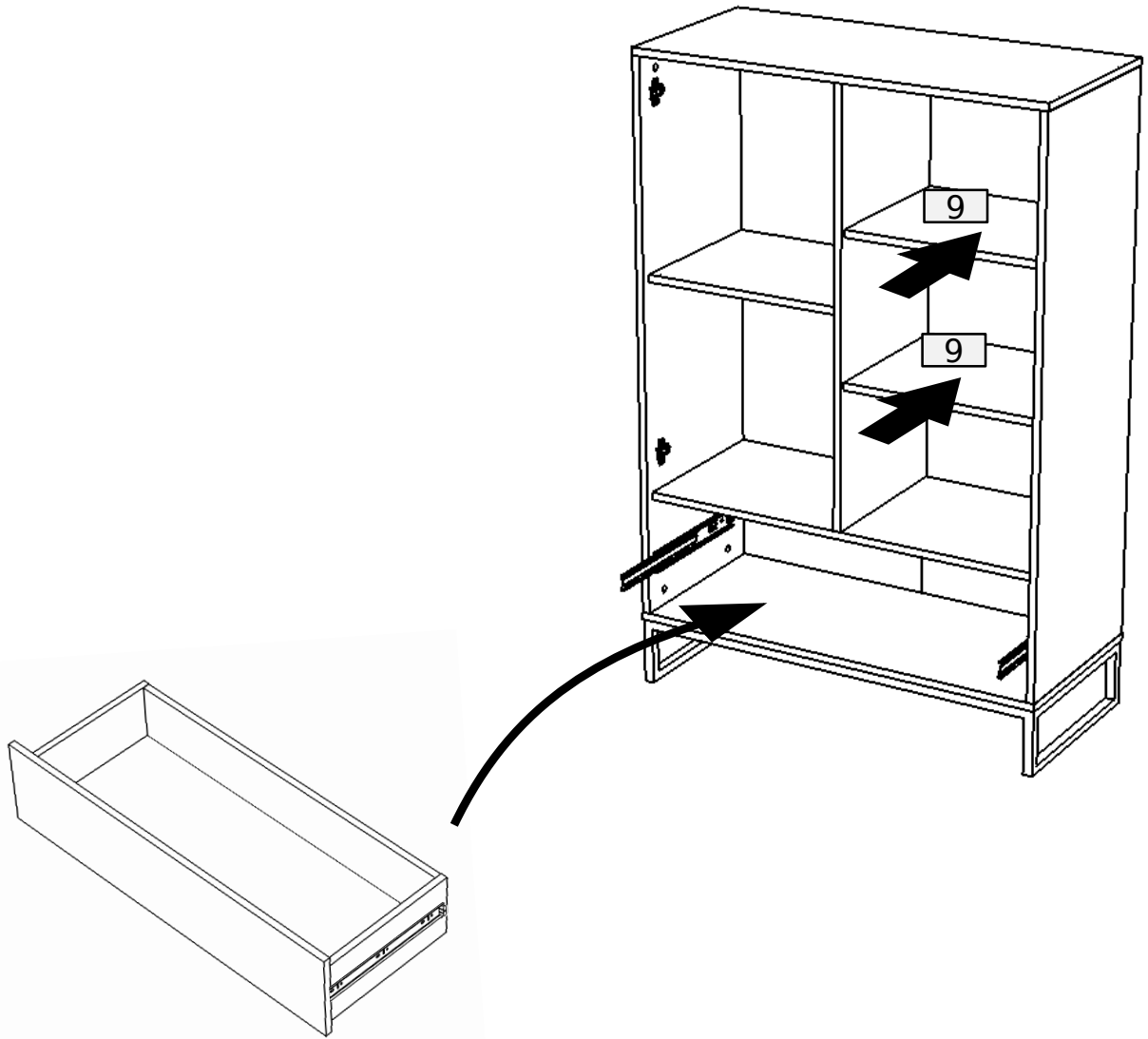


19

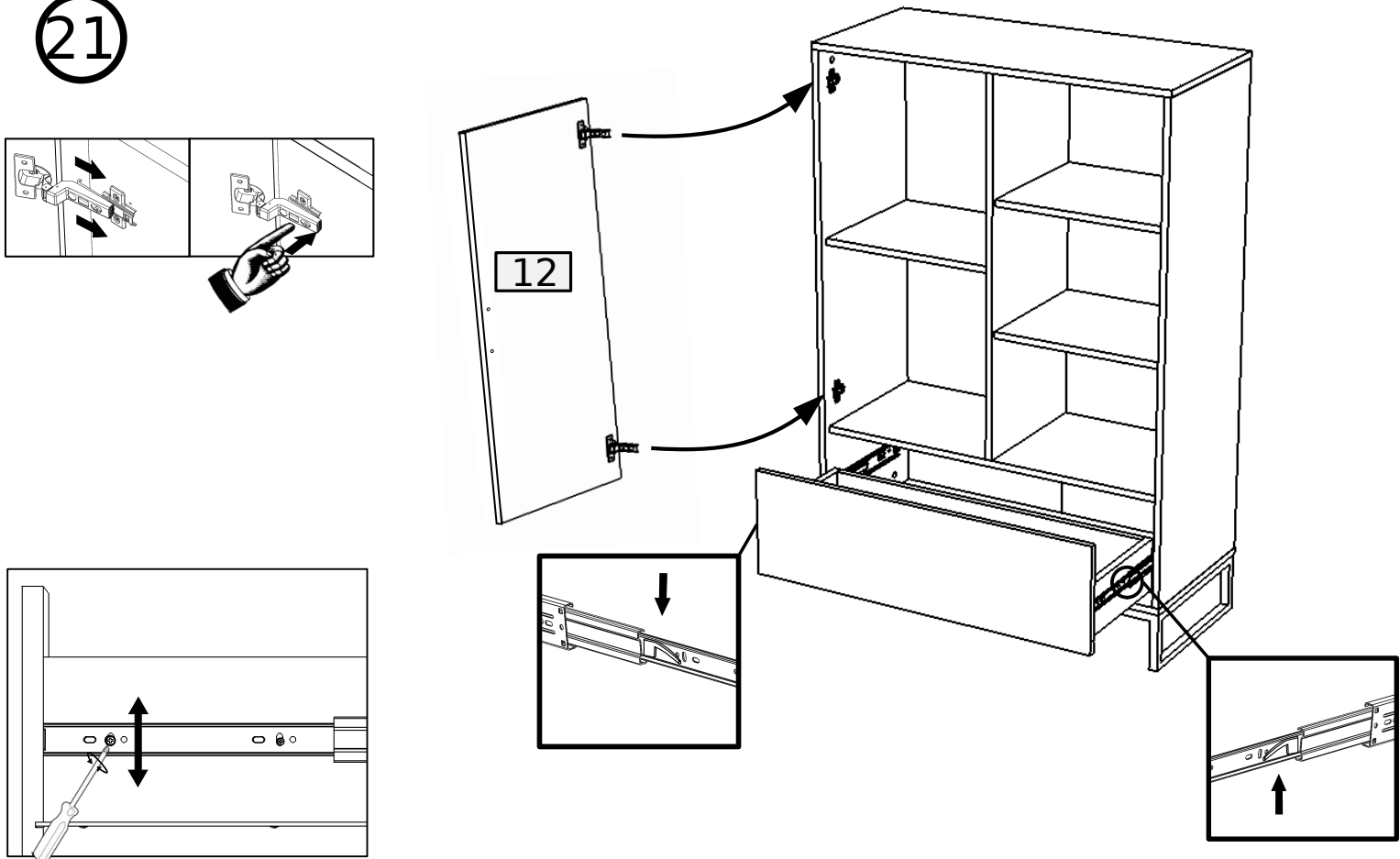


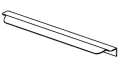



20



21



2	4
	
UL	3.0x16 W3

