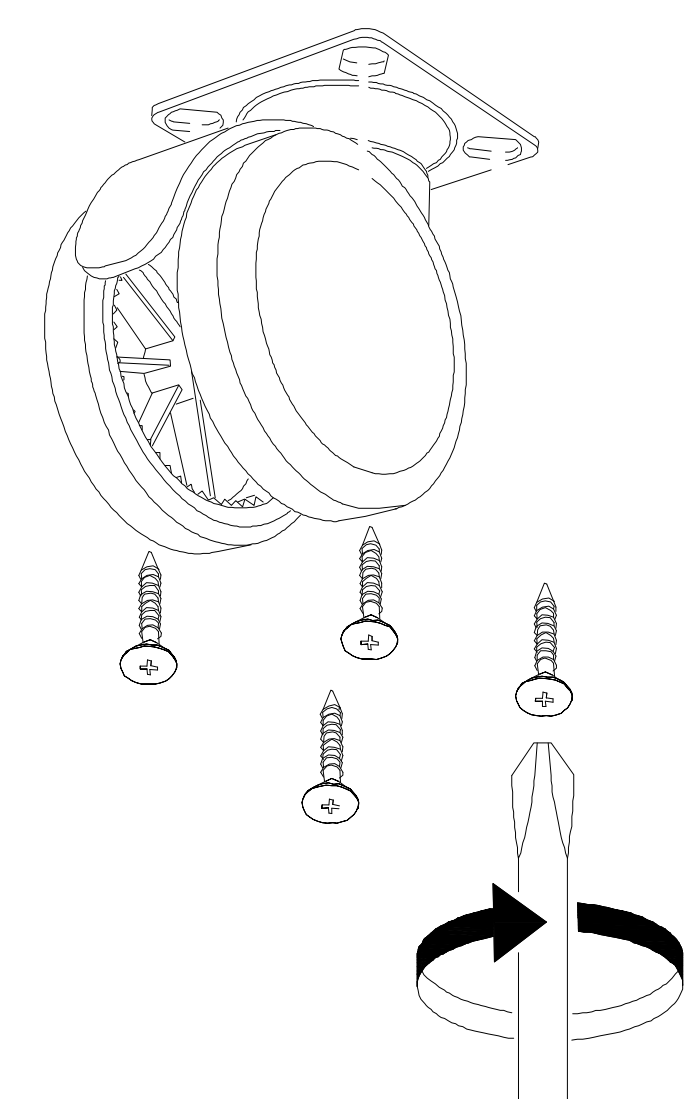


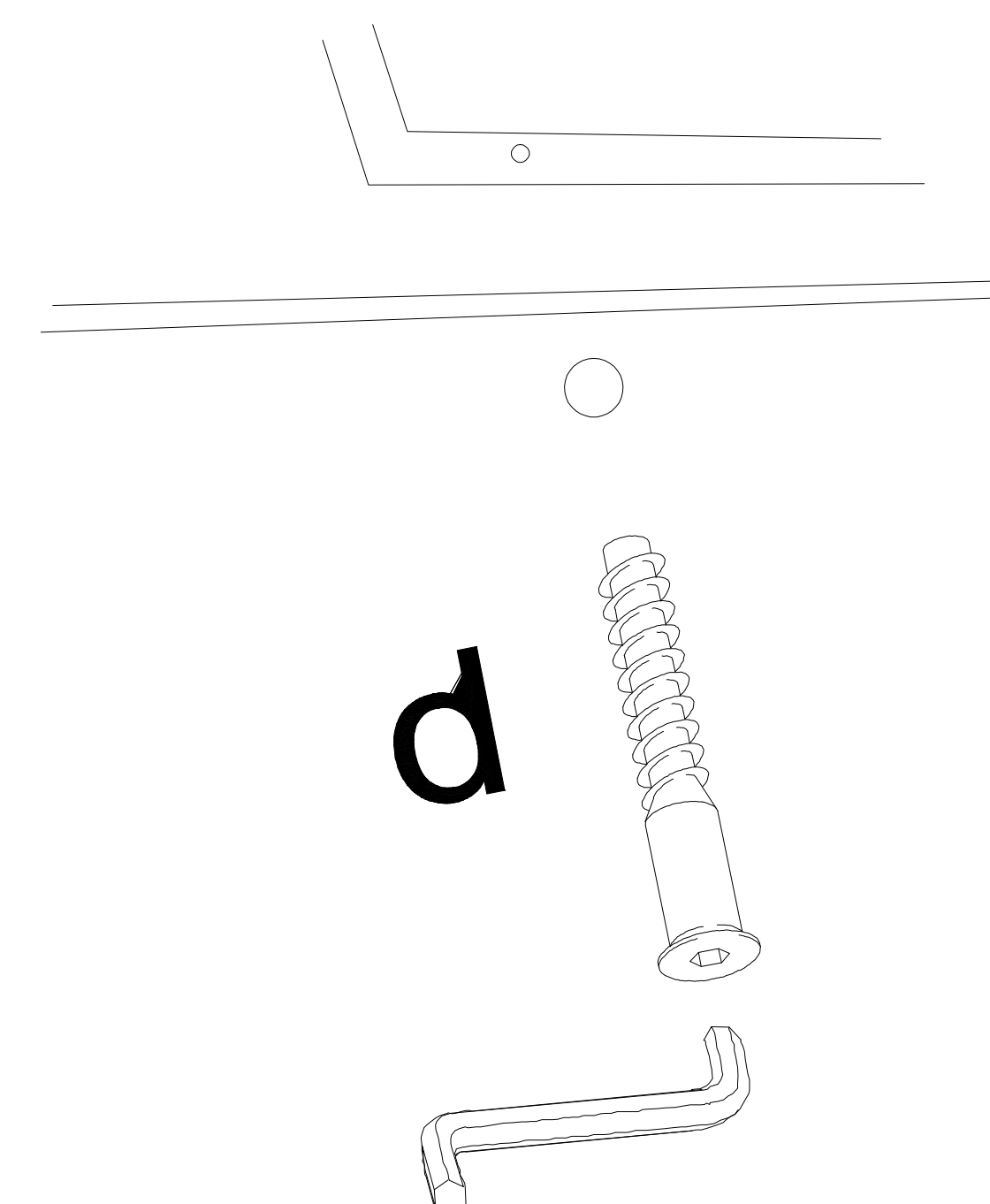
a	b	e
x 26	x 5	x 20
x 26	x 20	
d	c	

A	1063x614	2
B	614x320	1
C	1100x65	2
D	190x65	2
E	237x450	1
F	614x65	2
G	695x237	1

3



2



1

