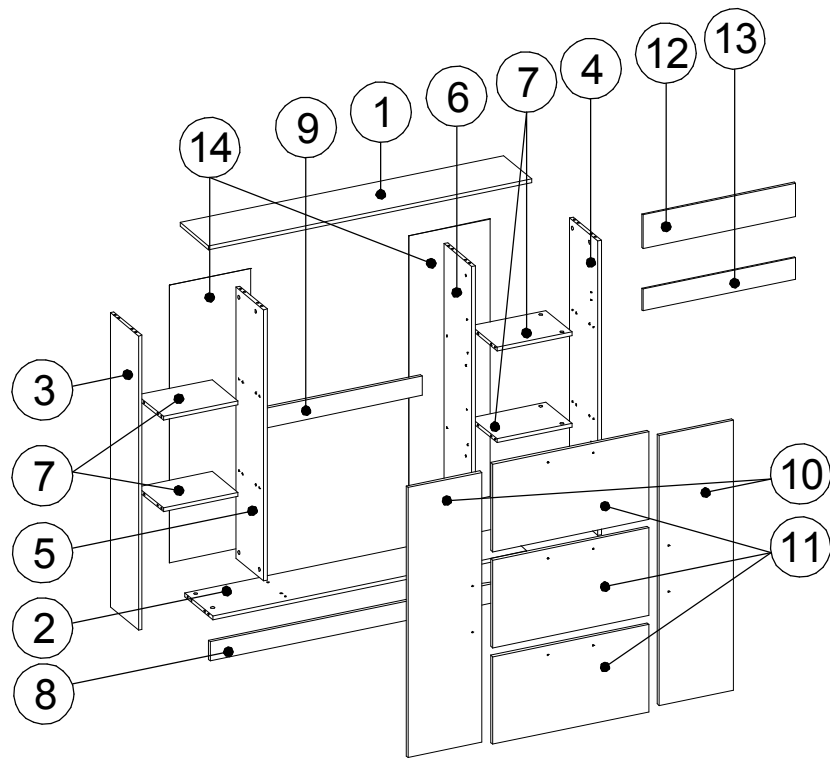
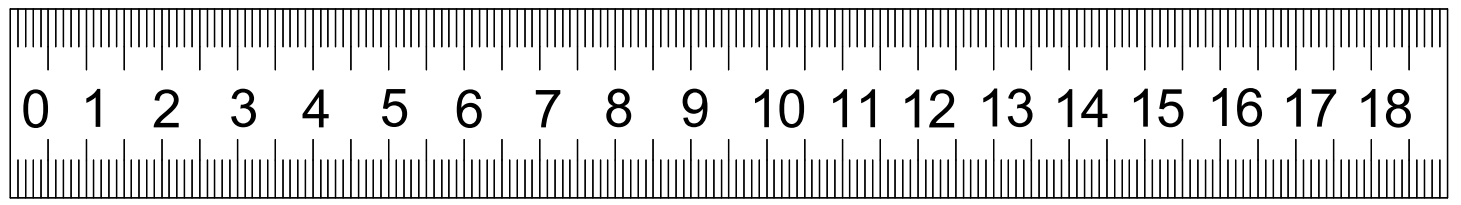
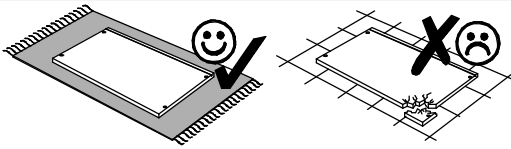


<b>W7</b> 6.2x13 24	<b>J1</b> L+P 3	<b>J3</b> 6	<b>J4</b> 6	<b>ZF</b> 5mm 8		
<b>M12</b> 24	<b>TM1</b> 24	<b>ZM</b> 24	<b>W1</b> 4x13 12+8	<b>Z1</b> option 4	<b>U</b> 3+2	<b>W6</b> 6+4
<b>KN2</b> 7x50 8	<b>K3</b> 1	<b>K2</b> 8x32 32	<b>ZK</b> 7	<b>G1</b> 1.6x16 40	<b>ST</b> 6	<b>W3</b> 3x20 18



1	1372x241x16mm	1
2	1333x237x16mm	1
3	1226x238x16mm	1
4	1226x238x16mm	1
5	1130x236x16mm	1
6	1130x236x16mm	1
7	317x219x16mm	4
8	1333x80x16mm	1
9	667x80x16mm	1
10	1123x311x16mm	2
11	658x365x16mm	3
12	647x140x10mm	6
13	647x90x10mm	3
14	1155x344x3mm	2

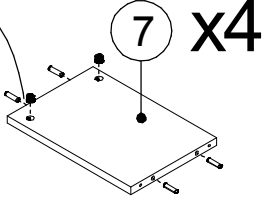
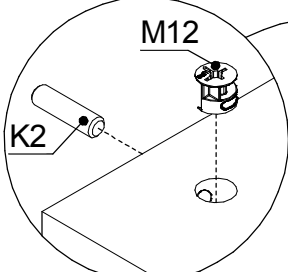
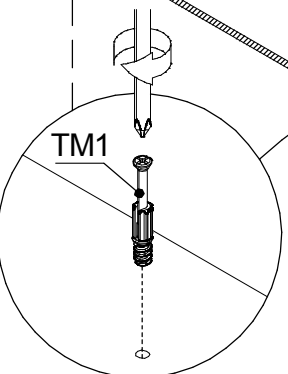
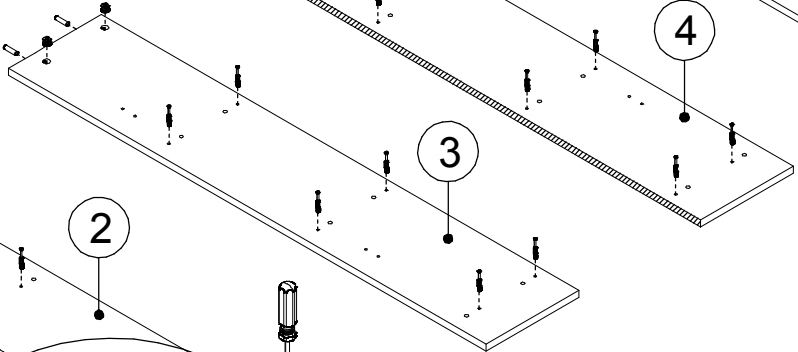
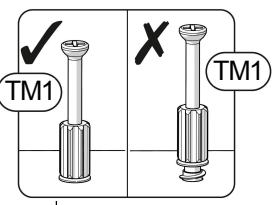
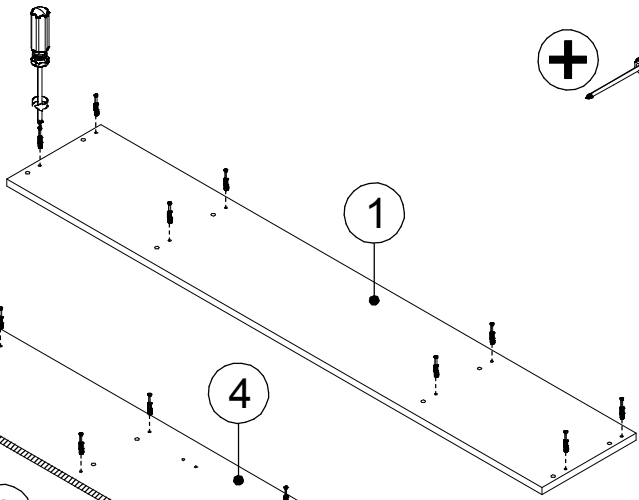
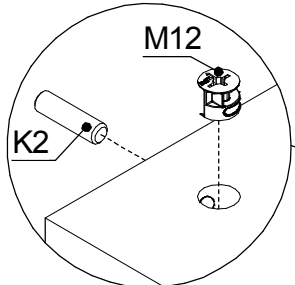
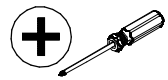
# ▶ 1



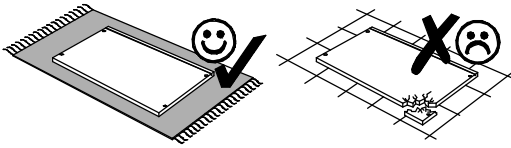
M12 10

TM1 24

K2 8x32 12



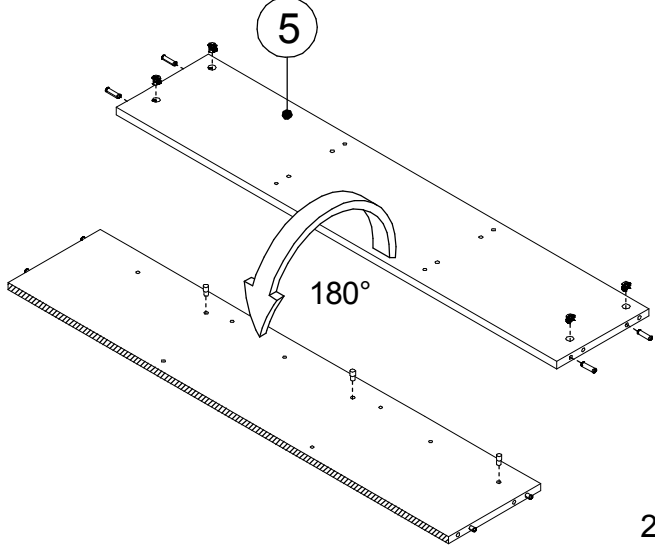
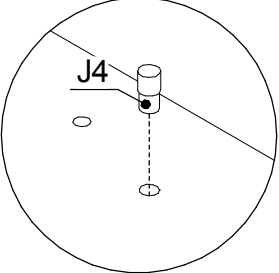
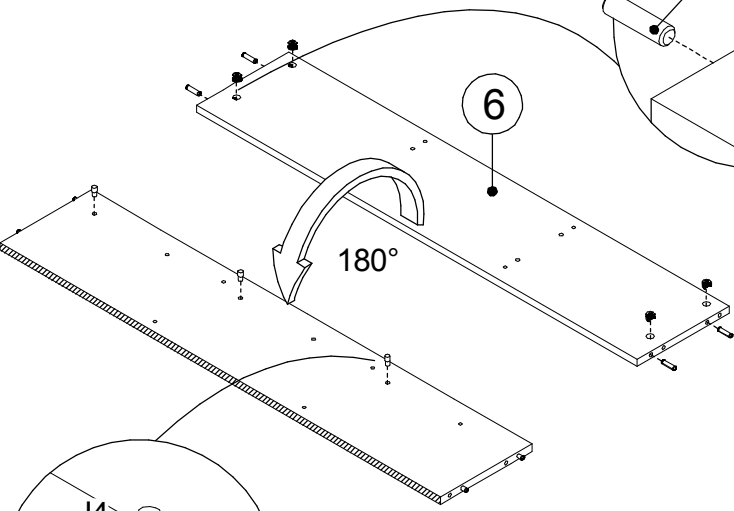
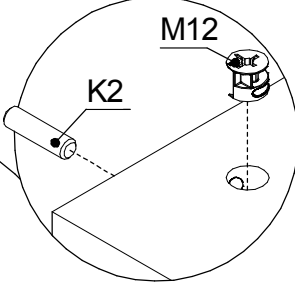
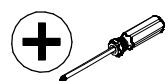
# ▶ 2



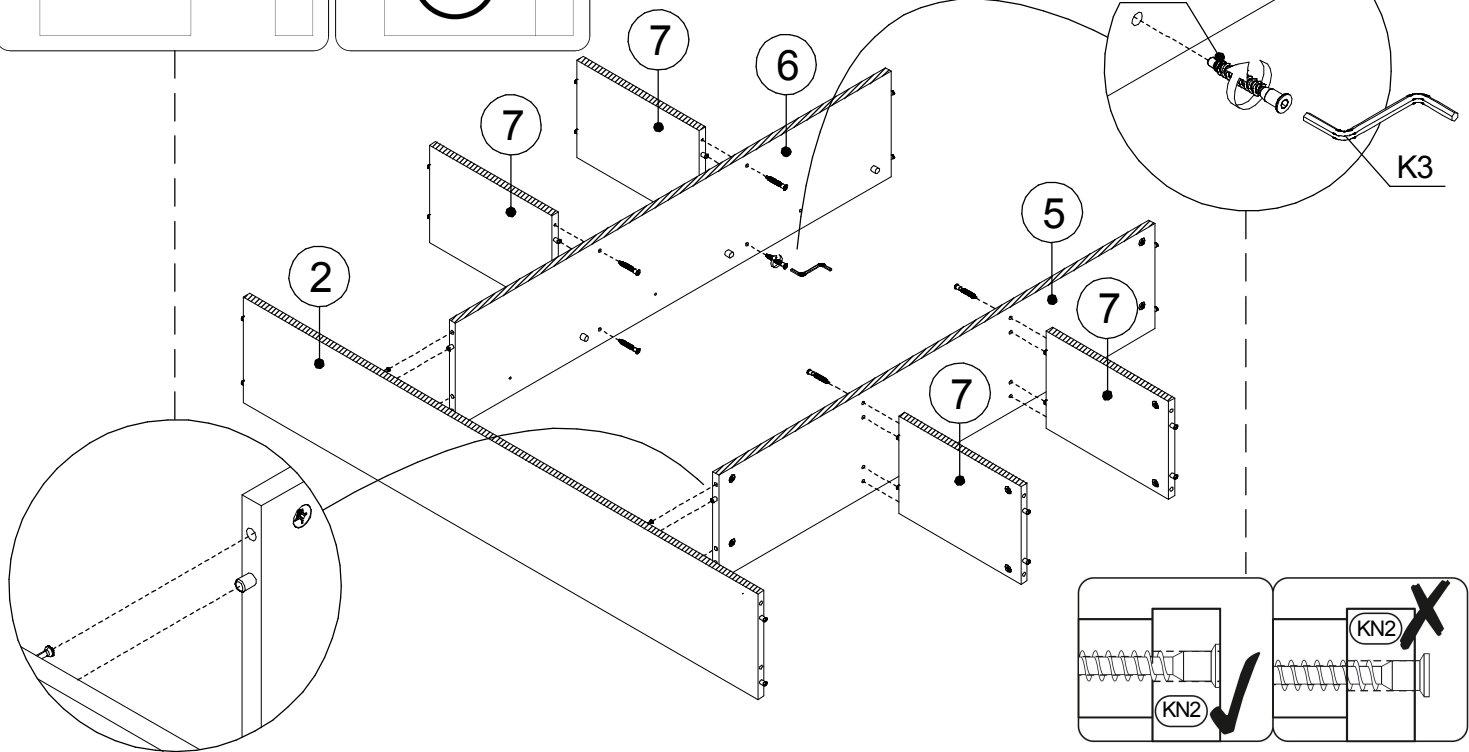
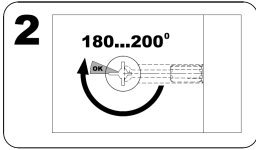
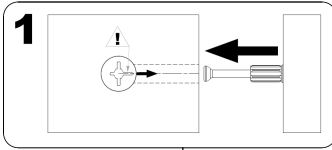
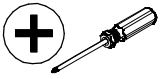
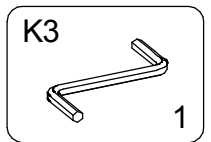
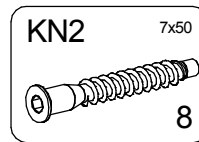
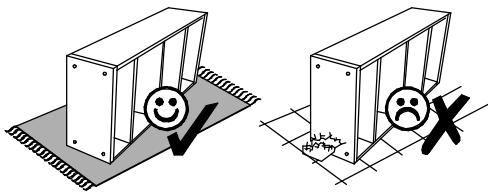
M12 8

K2 8x32 8

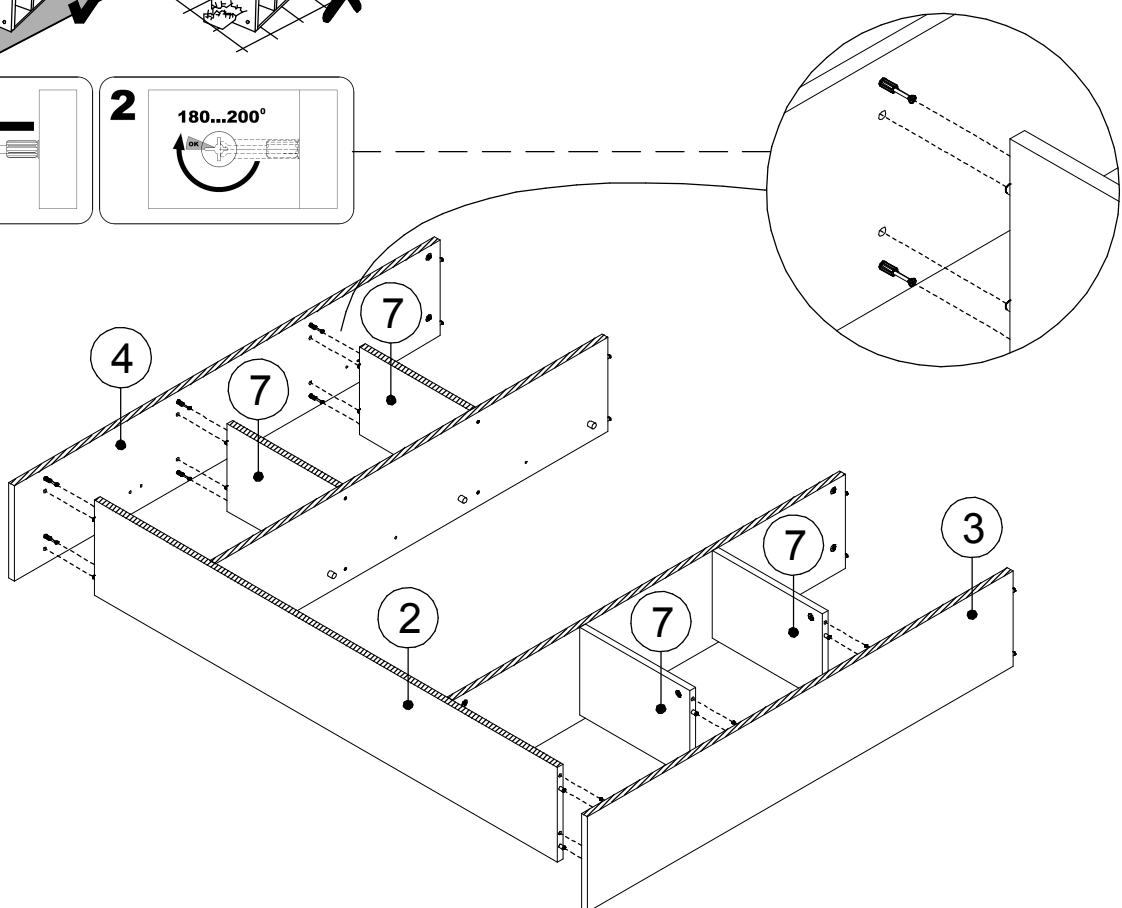
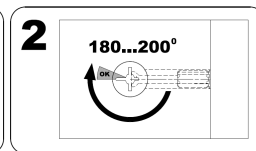
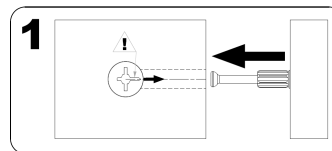
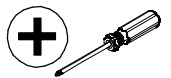
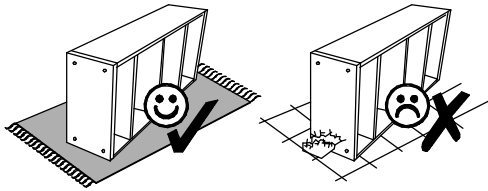
J4 6



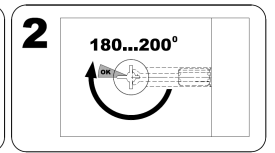
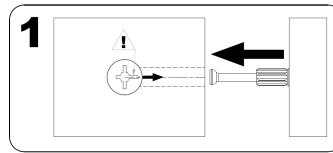
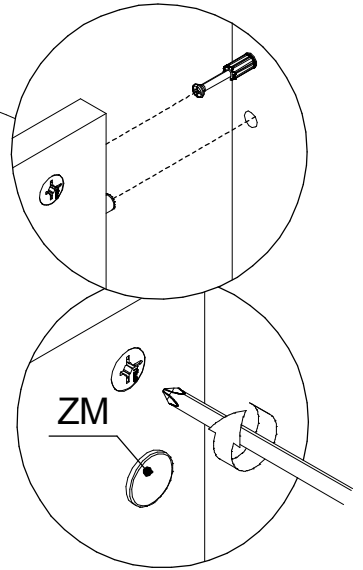
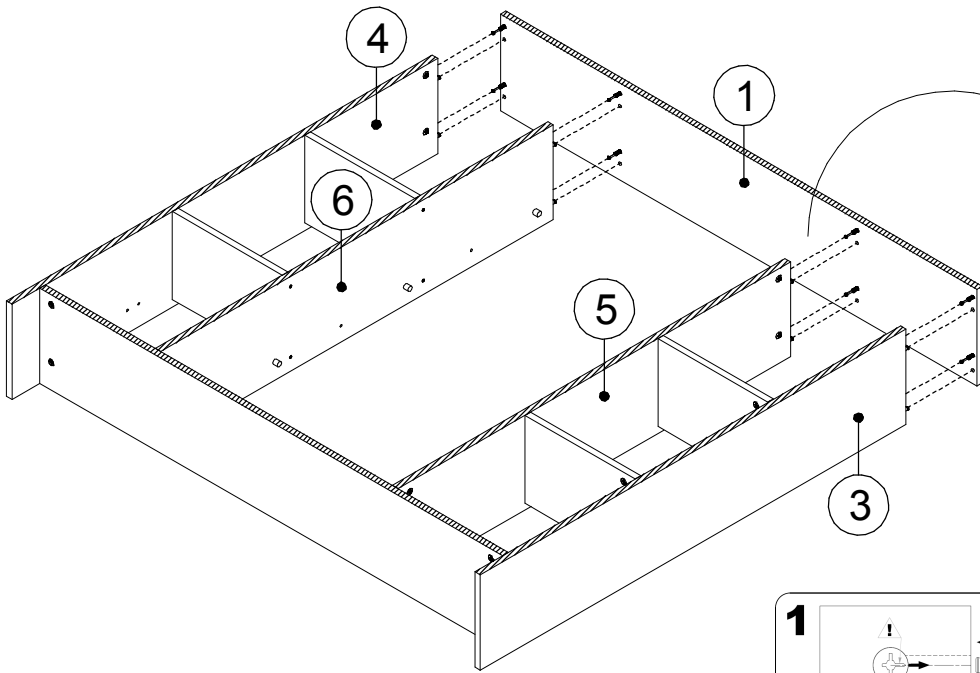
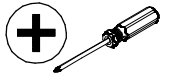
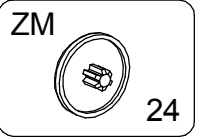
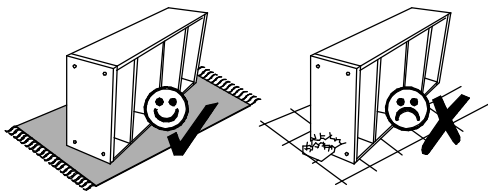
# ▶ 3



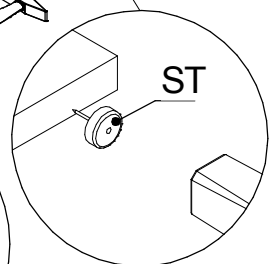
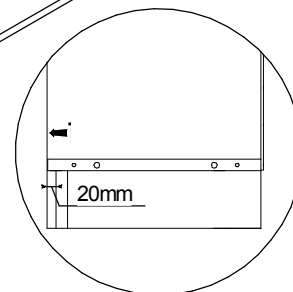
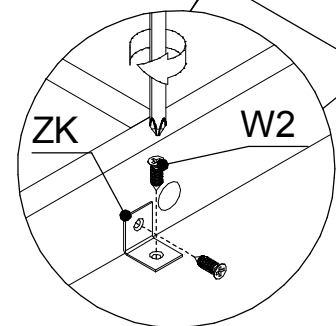
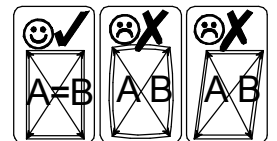
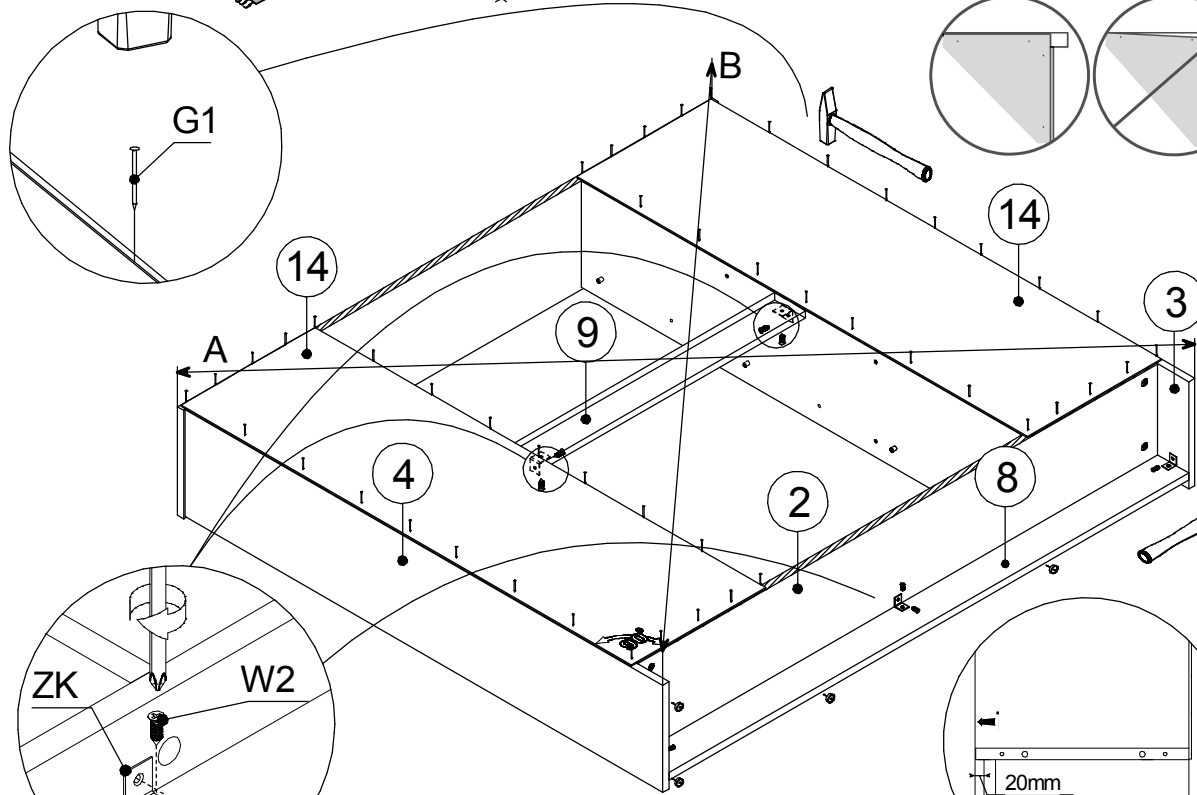
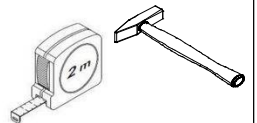
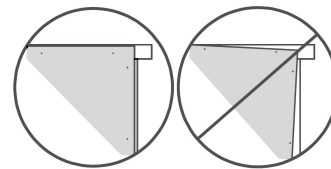
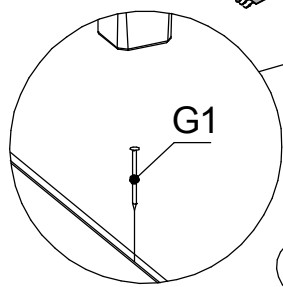
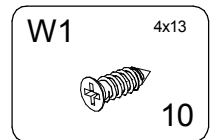
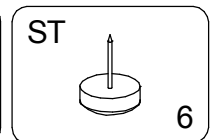
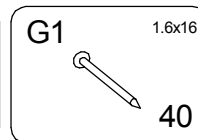
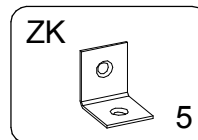
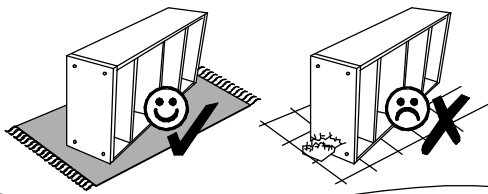
# ▶ 4

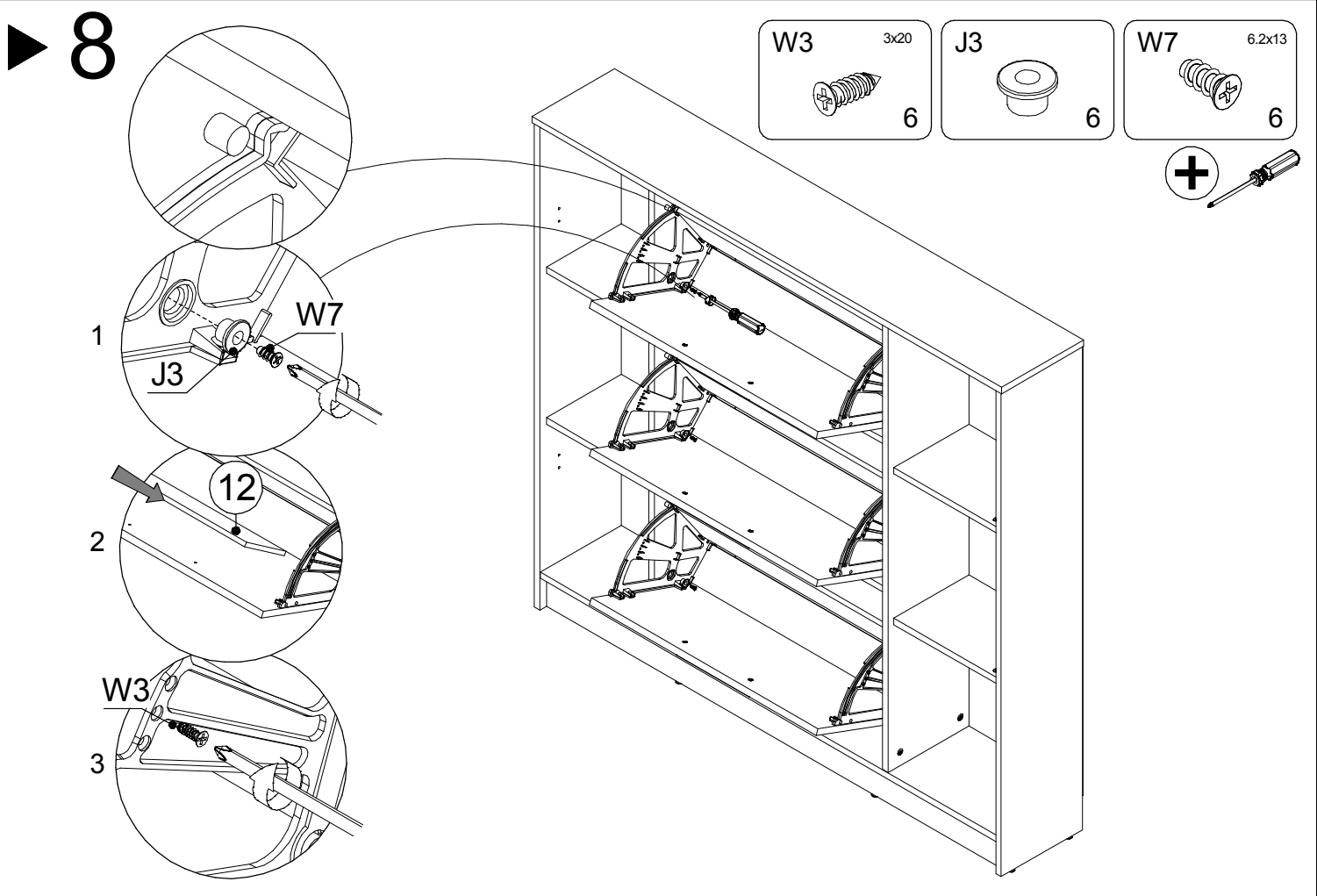
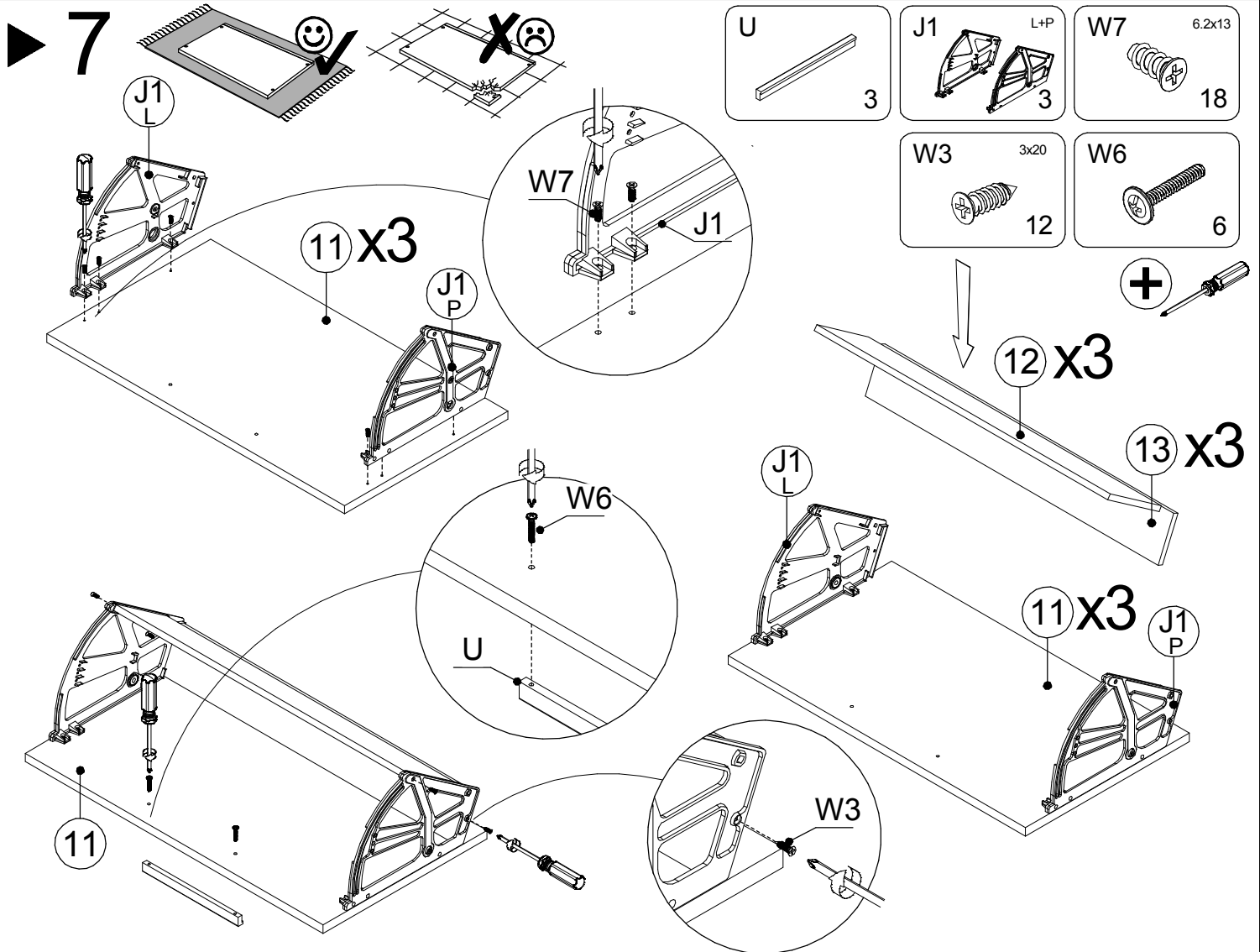


► 5

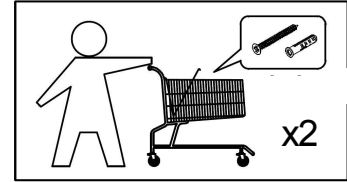
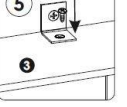
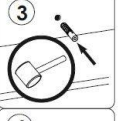
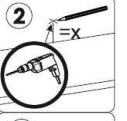
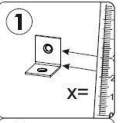
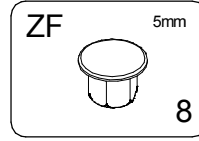
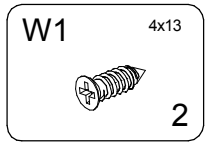
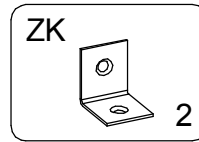
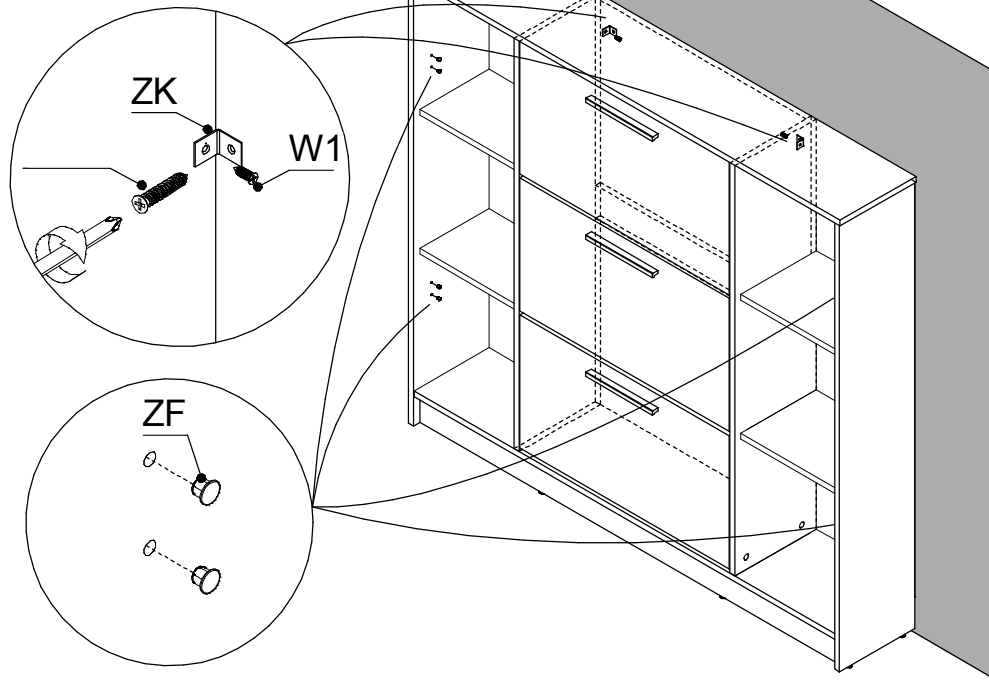


► 6

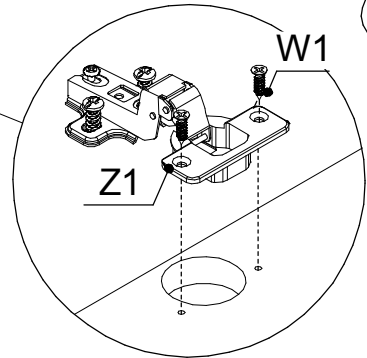
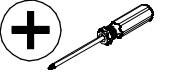
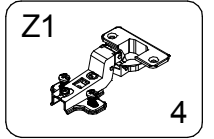
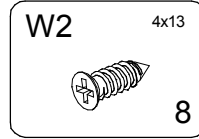
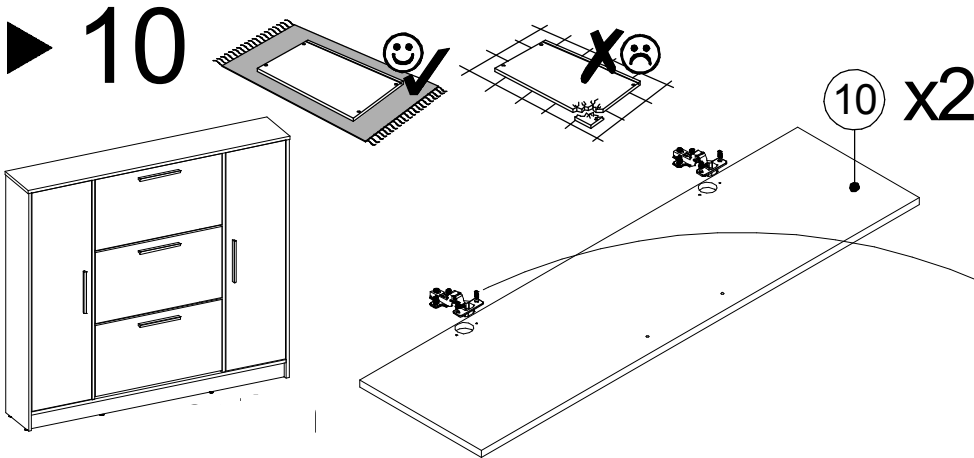




# 9



# 10



# 11

