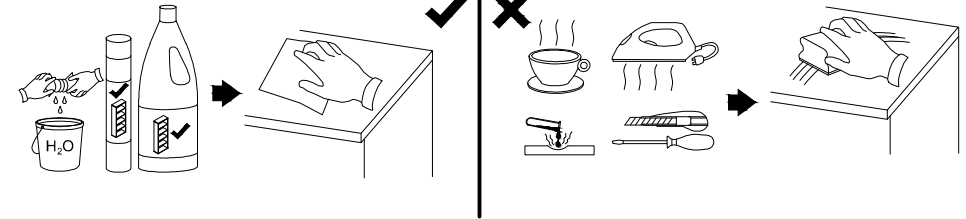
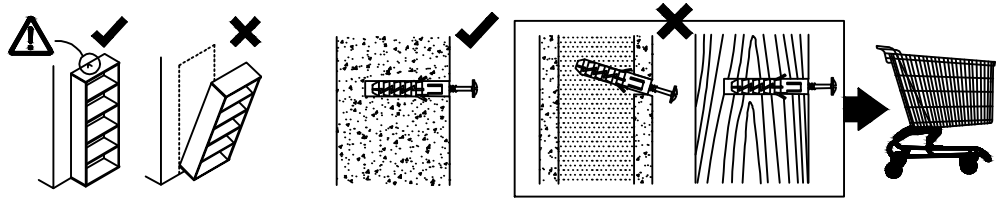
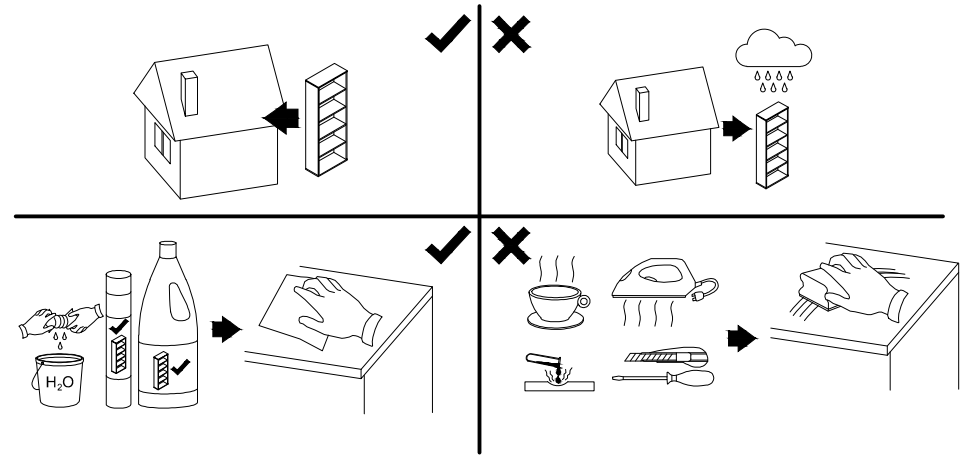
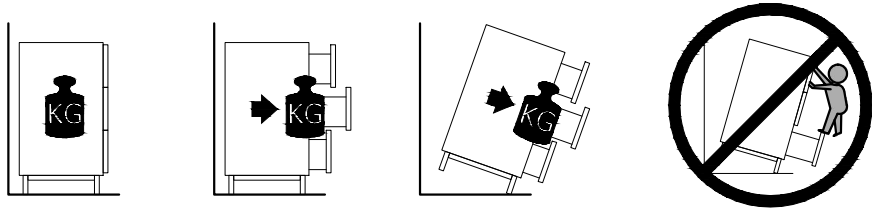
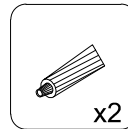
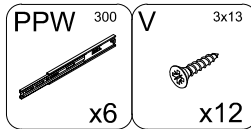
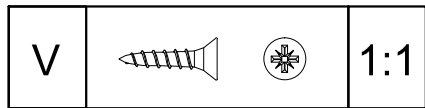
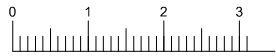
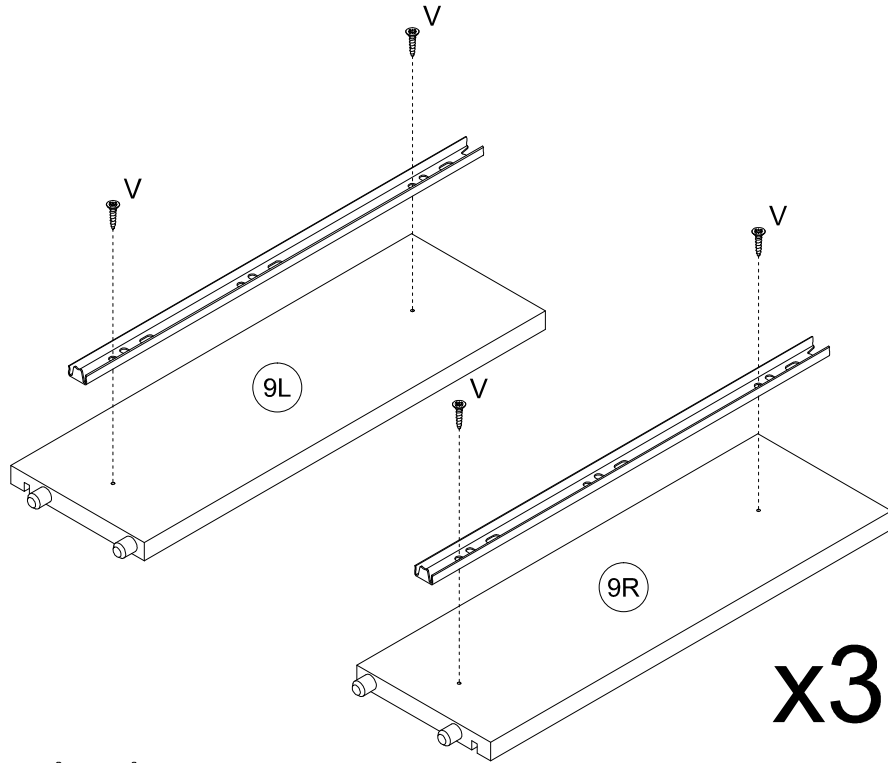
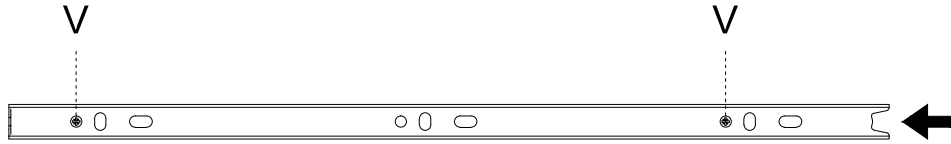
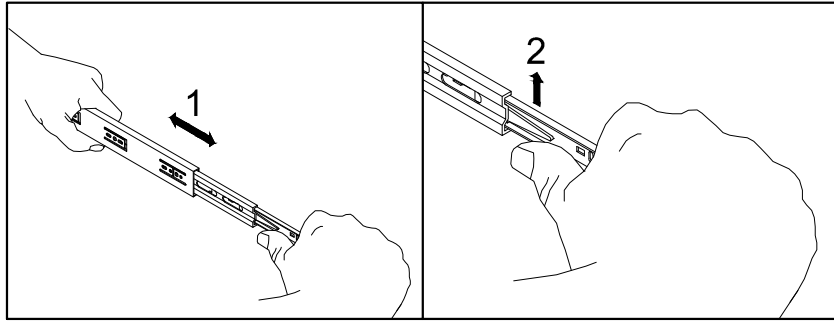


A	8x32	C	GLUE	
x20	x14	x14	x2	
K2	N	ND	NE	NS
x2	3x20	3,5x16	4x16	3,5x13
x4	x16	x12	x4	
PPW	W+H2	ST	V	W
300	x2	4x60	3x13	4x60
x6	x2	x1	x12	x2
X1	X	Z	ZC	ZZ
x4	x4	x8	x4	x4

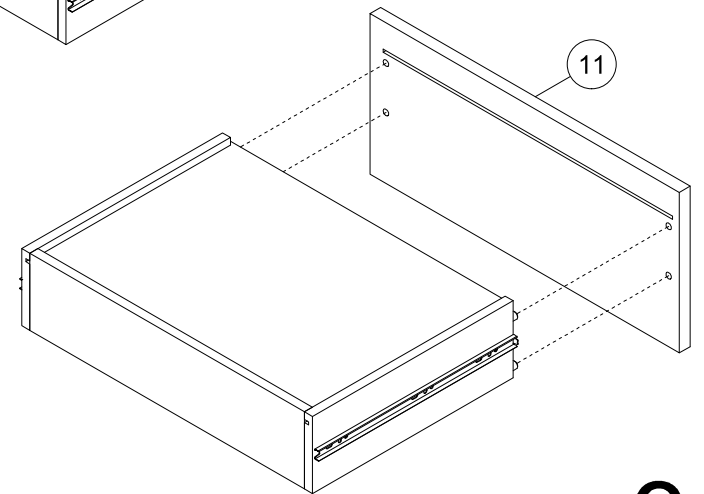
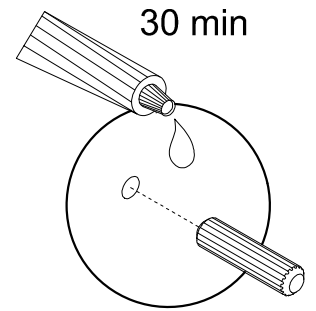
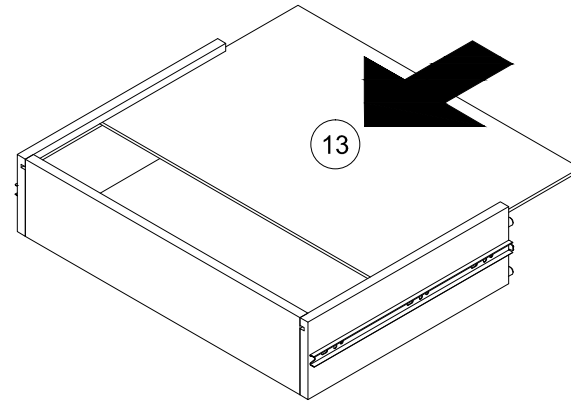
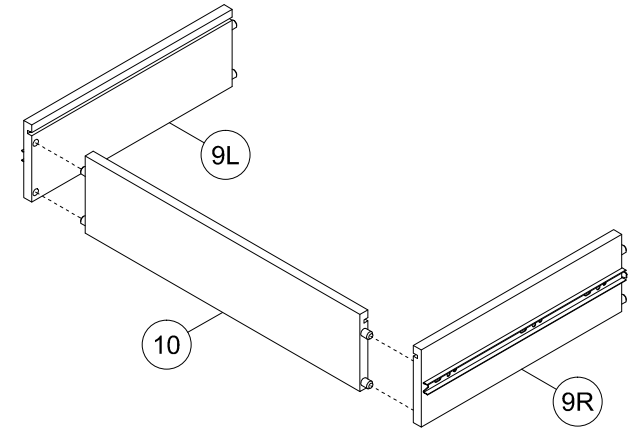
1	935	333	16	x1	2 / 2
2	935	347	16	x1	2 / 2
3L	630	366	16	x1	2 / 2
3R	630	366	16	x1	2 / 2
4	582	327	16	x1	2 / 2
5	459	325	16	x1	2 / 2
6	935	80	16	x1	2 / 2
7	935	80	16	x1	2 / 2
8	459	100	16	x1	2 / 2
9L	300	100	12	x1	2 / 2
9R	300	100	12	x1	2 / 2
10	411	100	12	x1	2 / 2
11	463	208	16	x3	2 / 2
12	463	630	16	x1	2 / 2
13	298	422	2.5	x3	2 / 2
14	563	473	2.5	x2	2 / 2



1

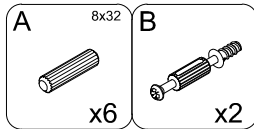
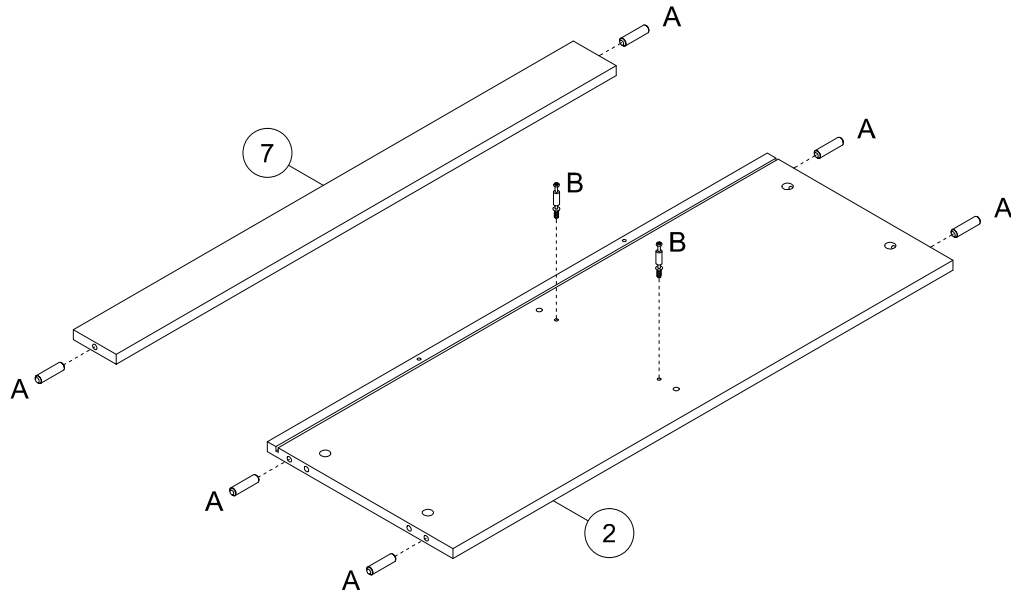
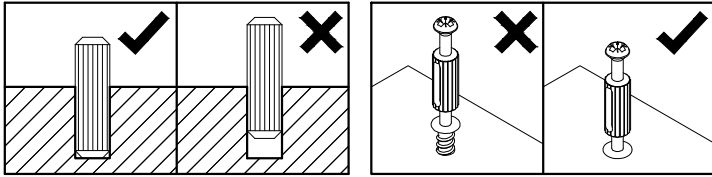


2

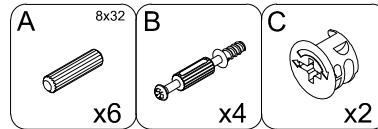
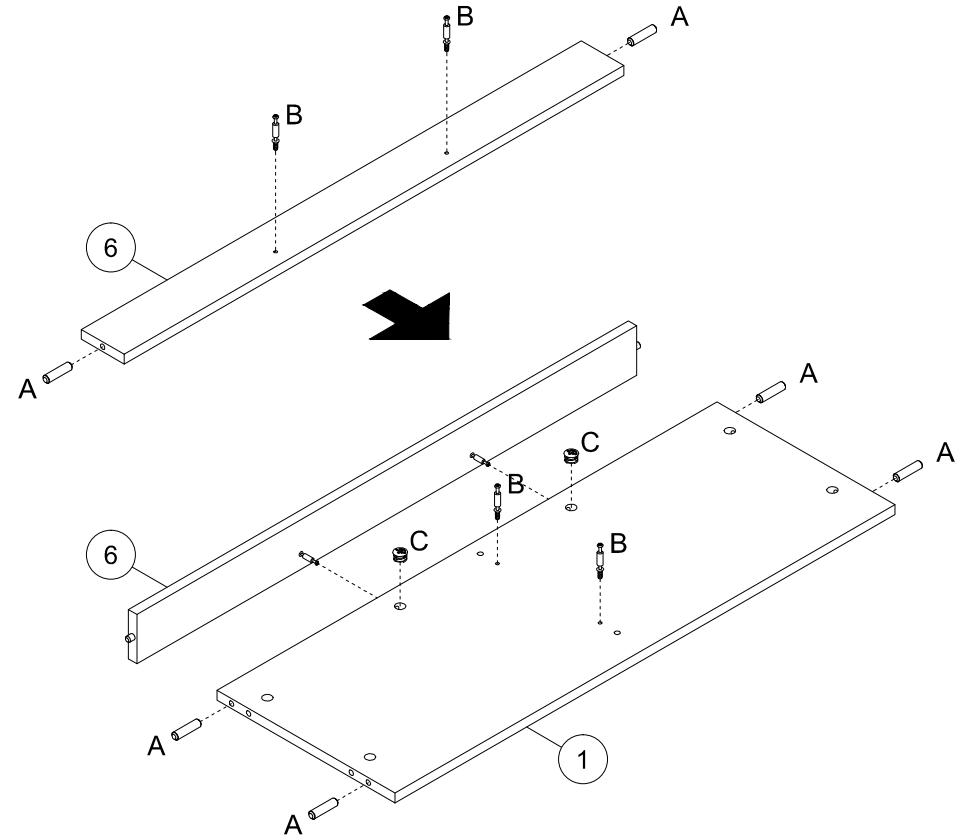
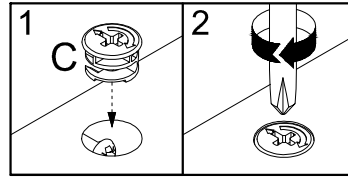


x3

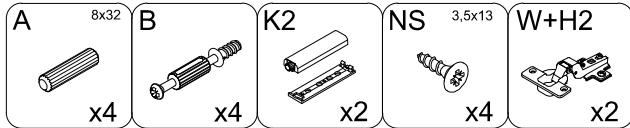
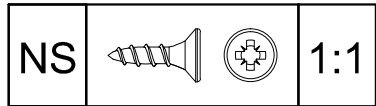
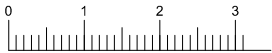
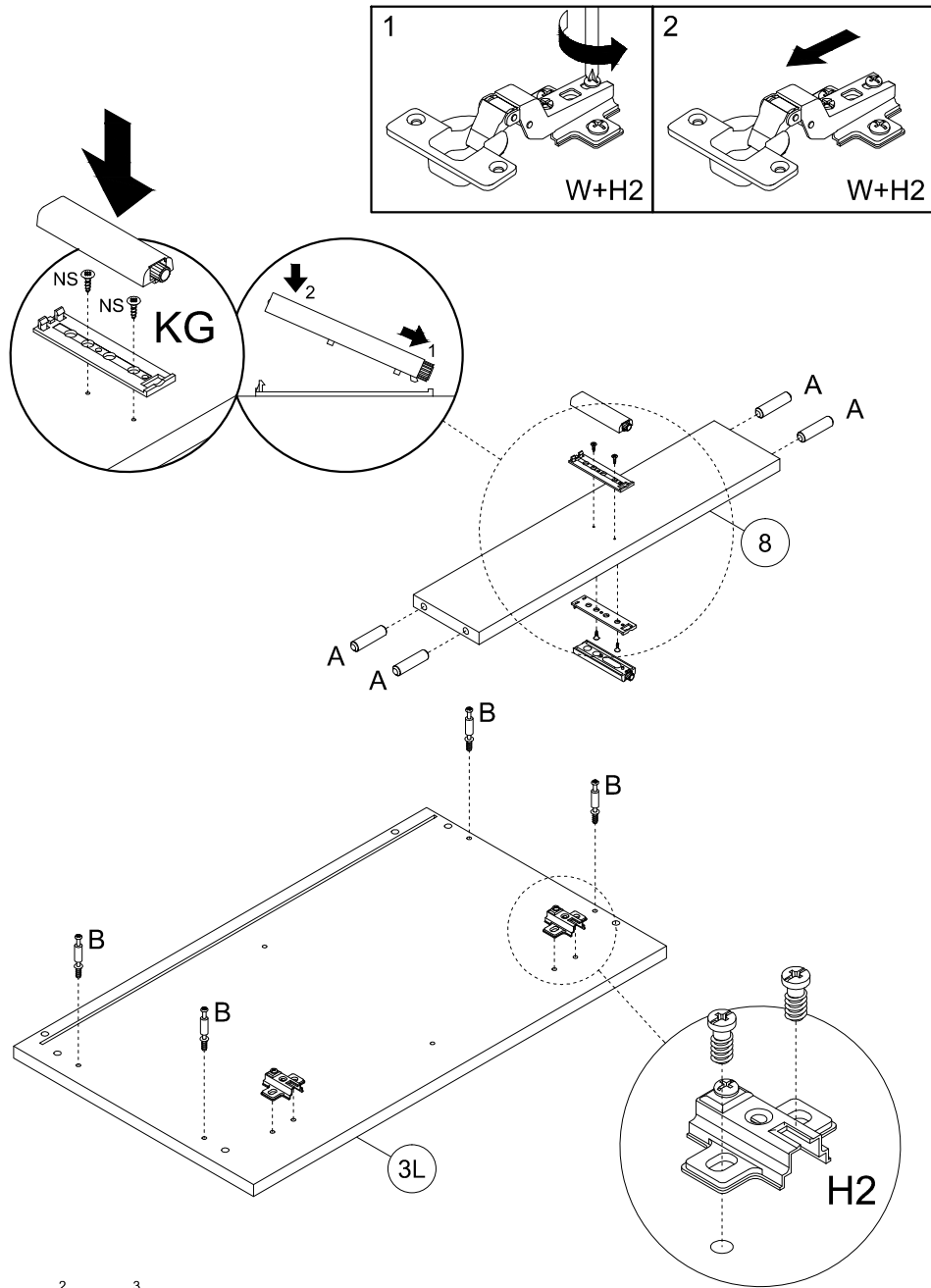
3



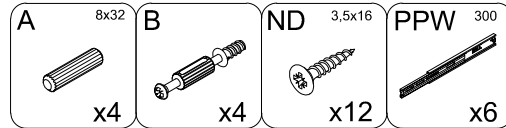
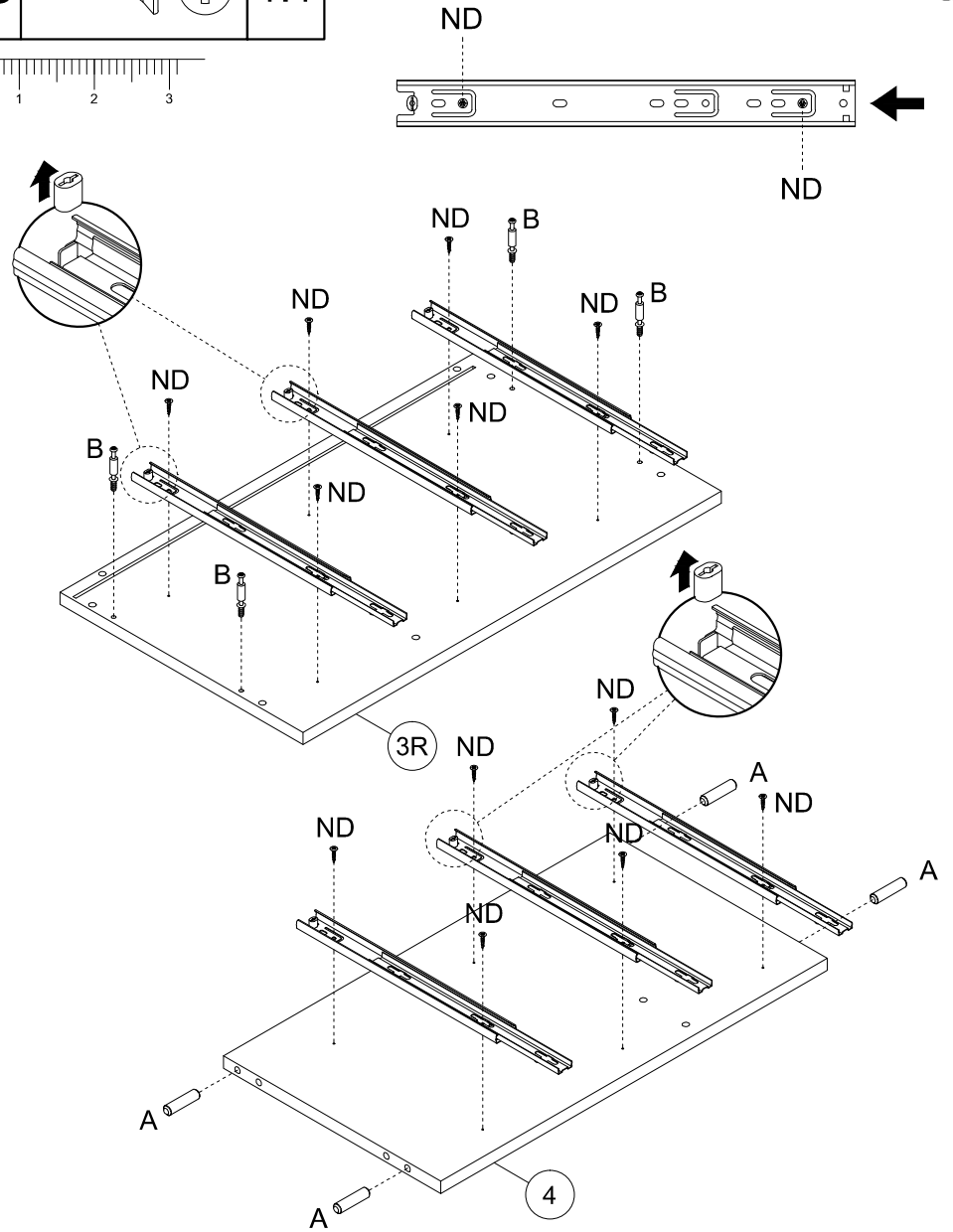
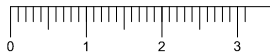
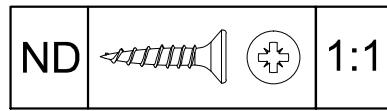
4

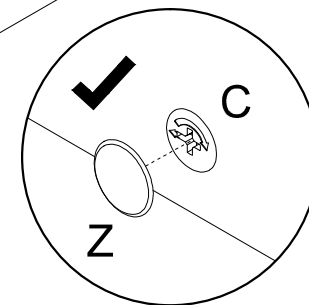
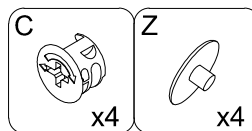
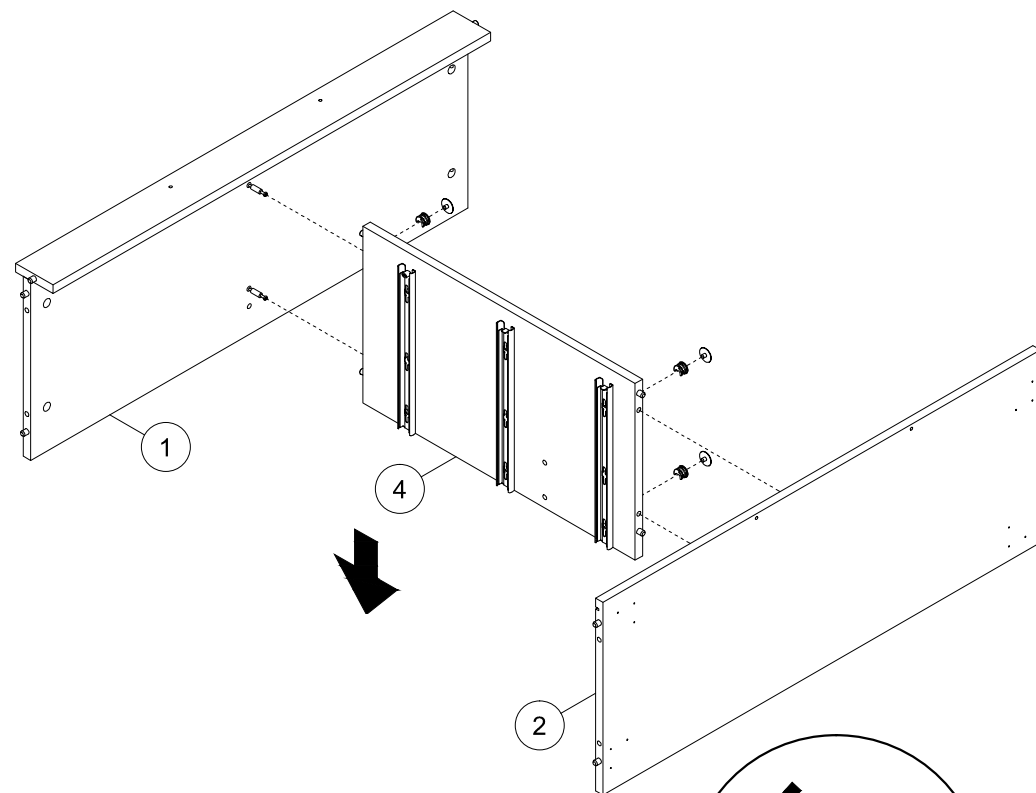
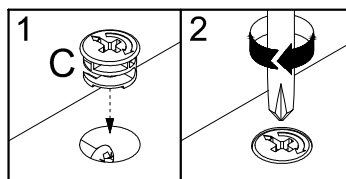
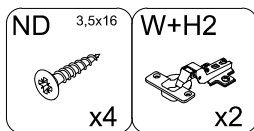
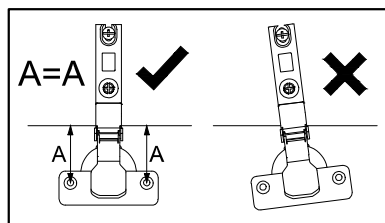
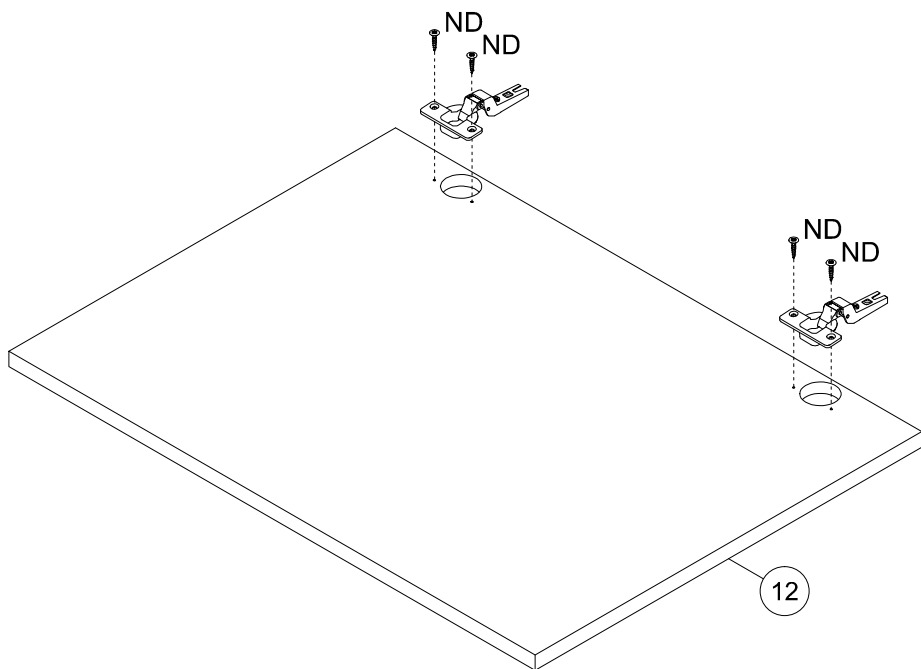
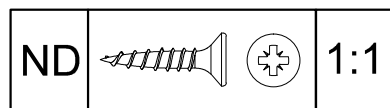


5

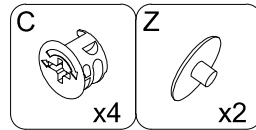
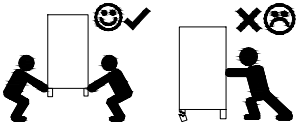
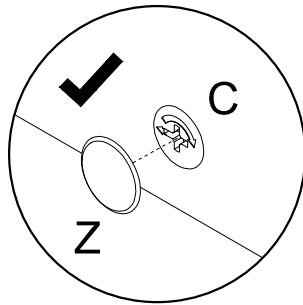
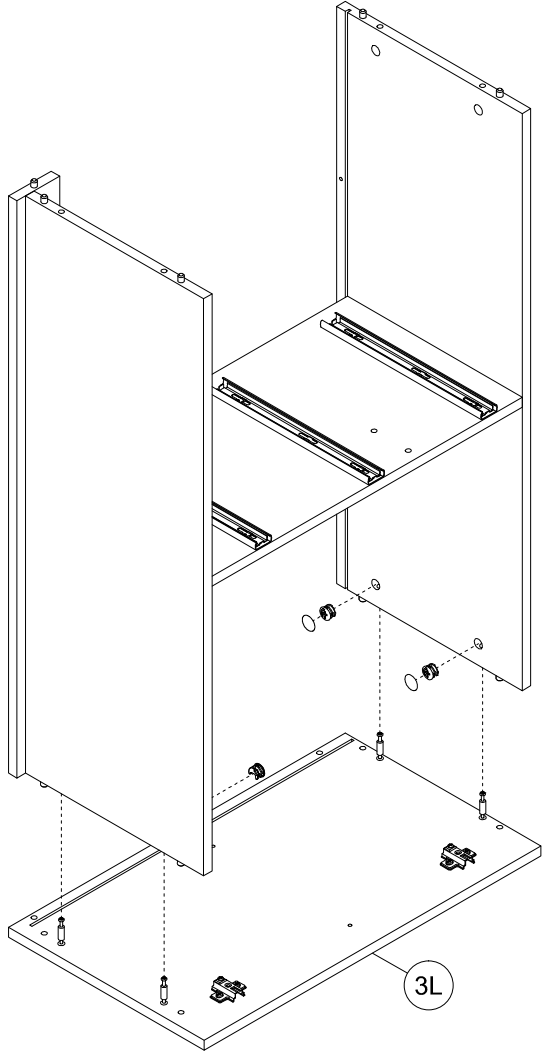
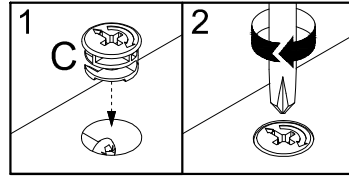
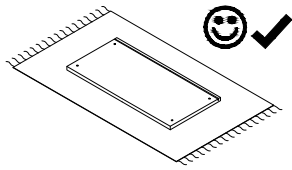


6

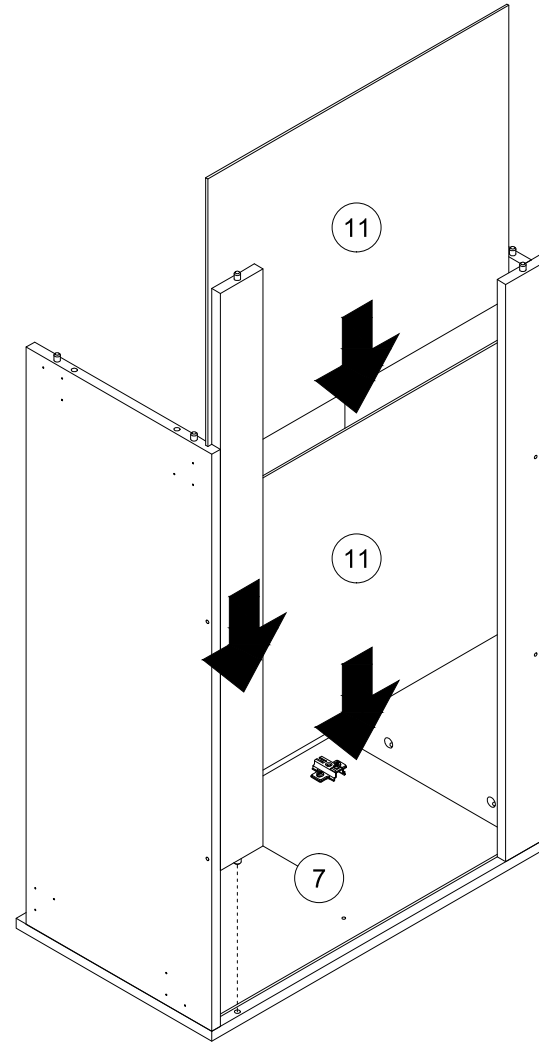




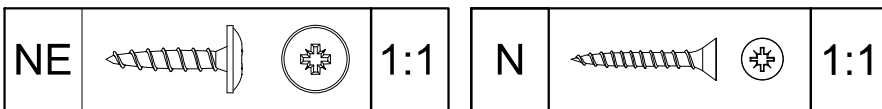
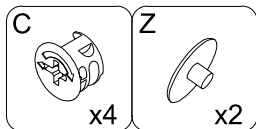
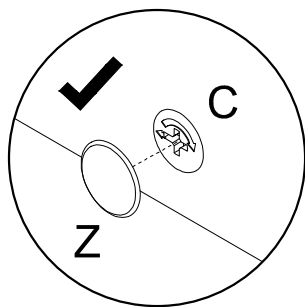
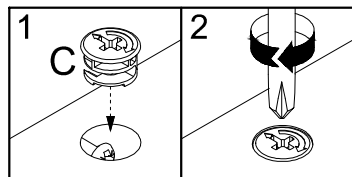
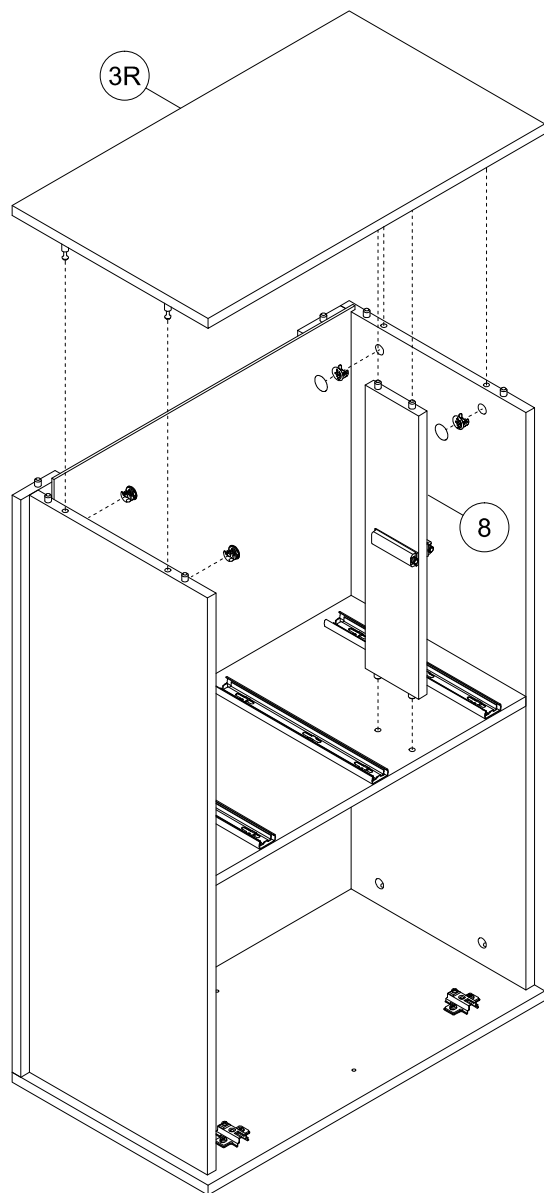
9



10



11



12

