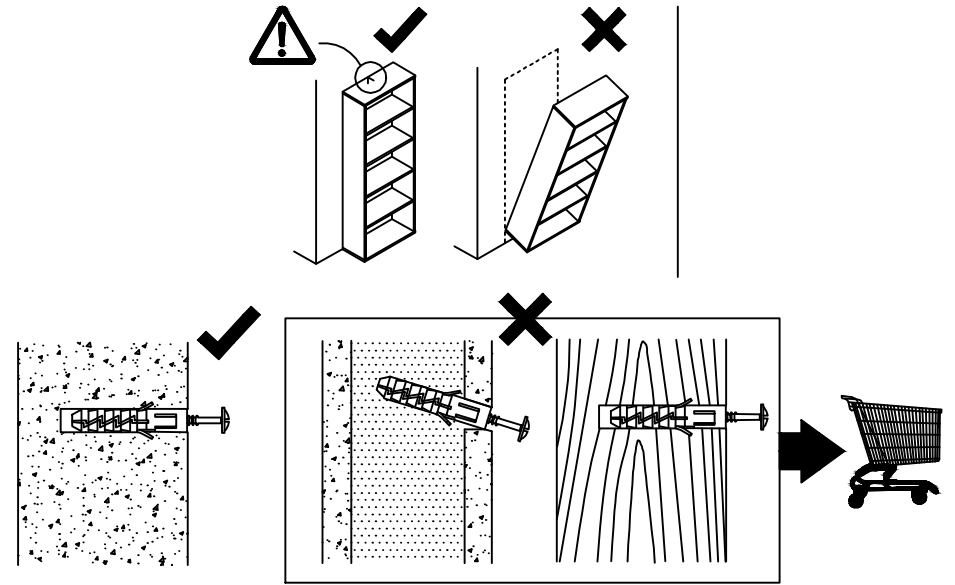
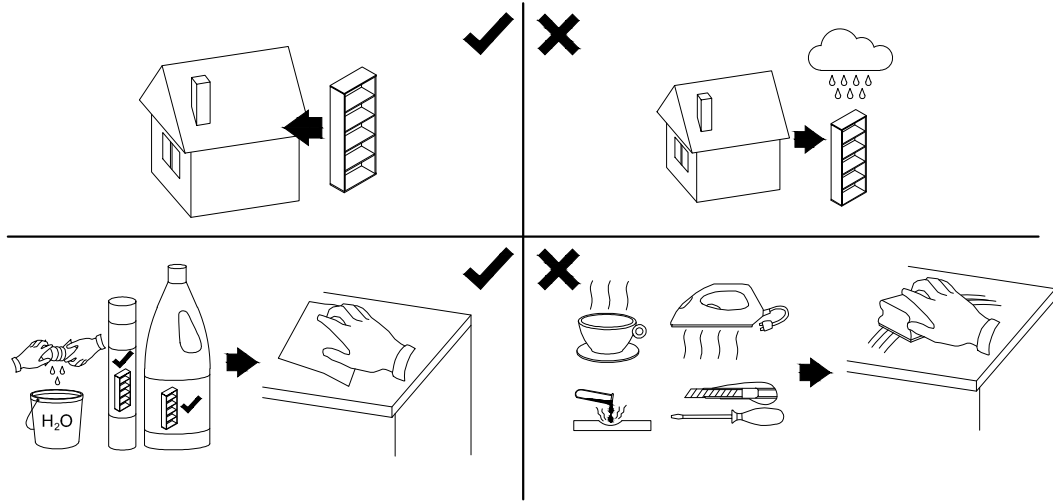
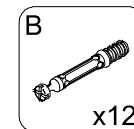
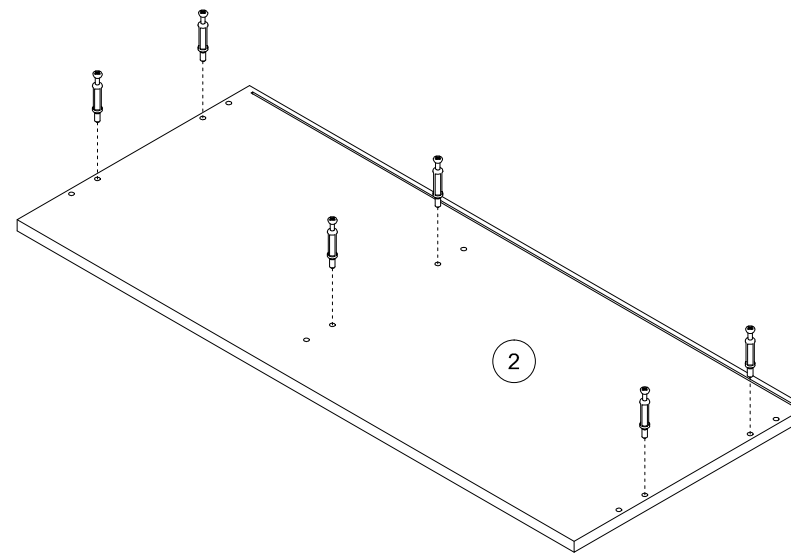
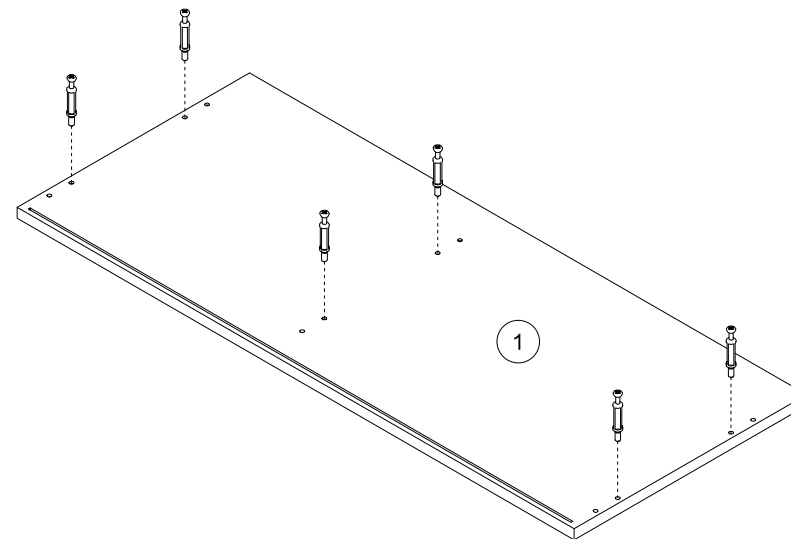
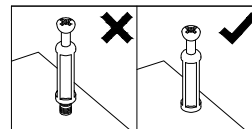
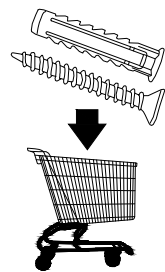
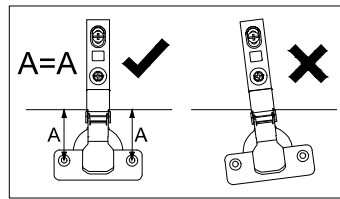
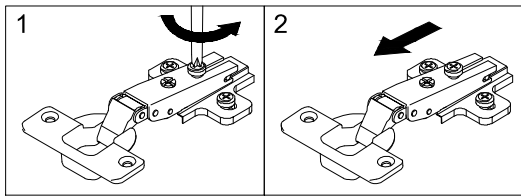


ZA	V3 4x16	ZZ	W+H2	C	Z	ND 3,5x16	X	V 3x13
x1	x4	x8	x4	x20	x20	x15	x16	x4
B	A 8x32	TA	ZC	N 3x20	R5	ZE	KS	
x20	x20	x1	x9	x13	x2	x4	x4	

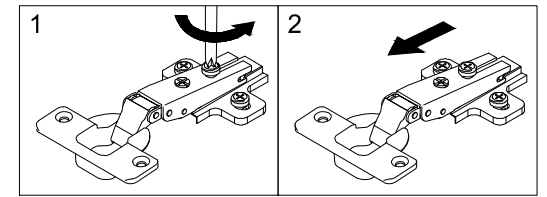
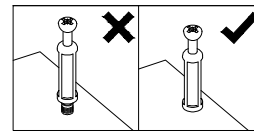


1	934	390	16	x1	2 / 3
2	934	390	16	x1	2 / 3
3	1118	390	16	x1	2 / 3
4	1118	357	16	x1	2 / 3
5	1118	390	16	x1	2 / 3
6A	1130	507	3	x1	3 / 3
6B	1130	407	3	x1	3 / 3
7	393	350	16	x2	3 / 3
8	392	350	4	x1	3 / 3
9	493	350	16	x2	3 / 3
10	324	396	16	x1	3 / 3
11	544	387	4	x1	3 / 3
12	324	396	16	x1	3 / 3
13	1111	496	16	x4	3 / 3

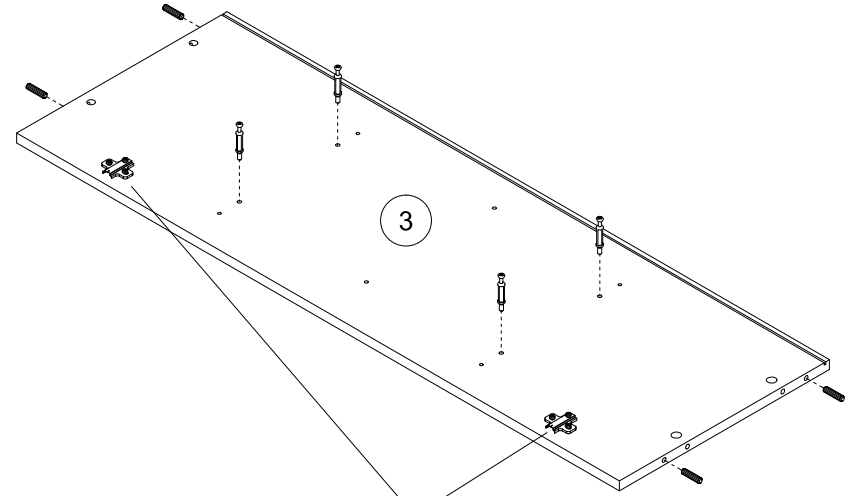
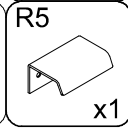
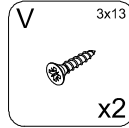
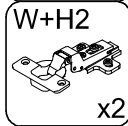
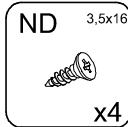
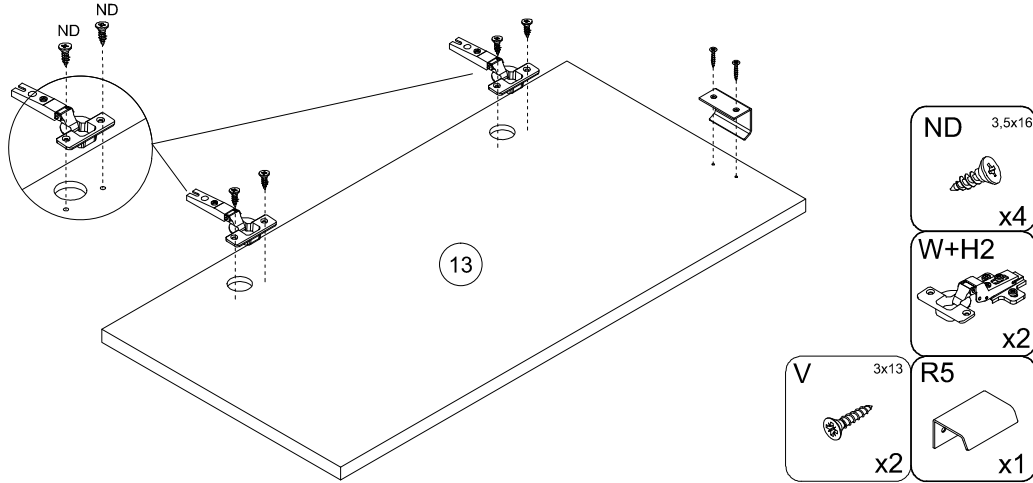




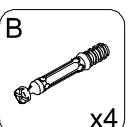
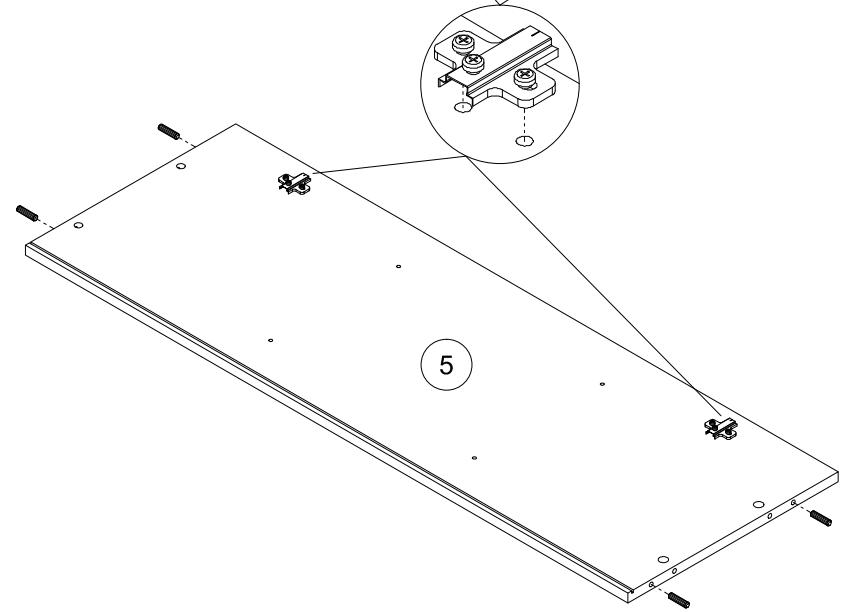
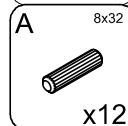
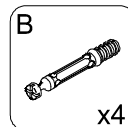
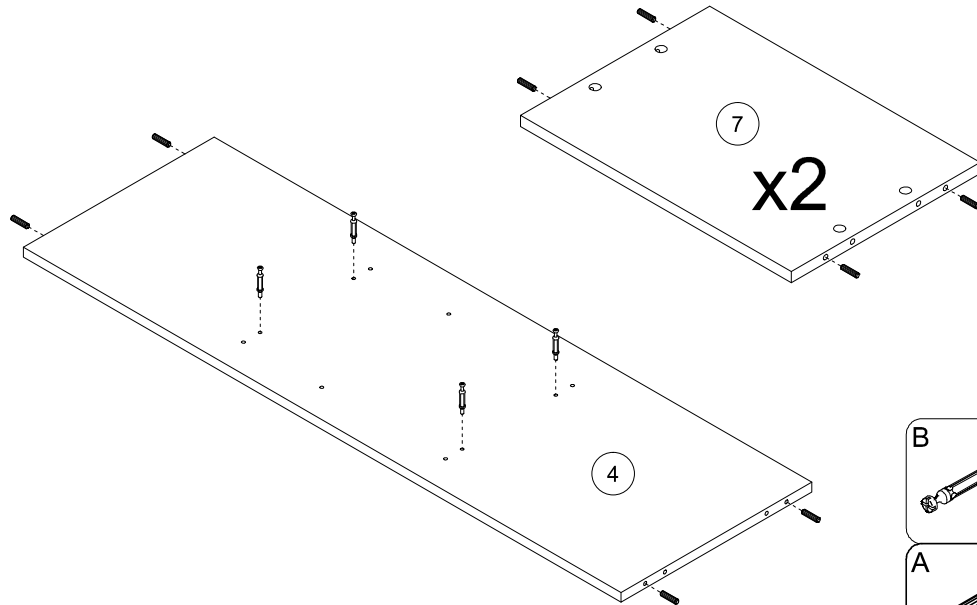
2

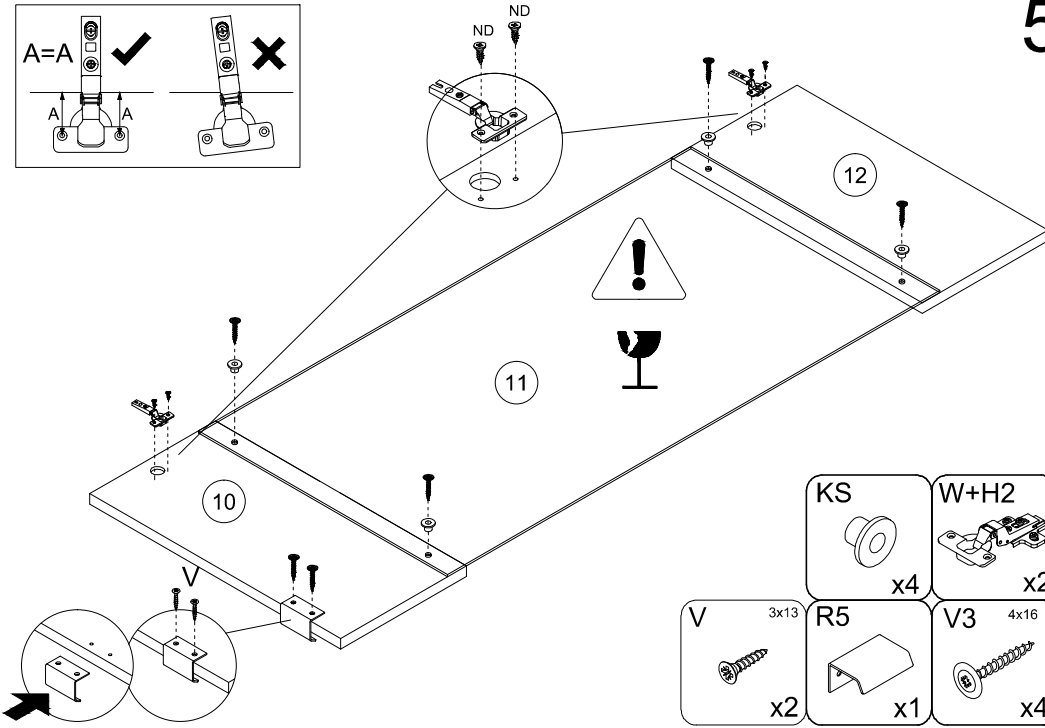
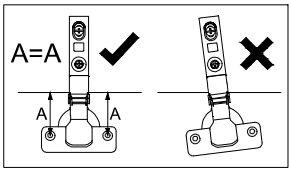


4

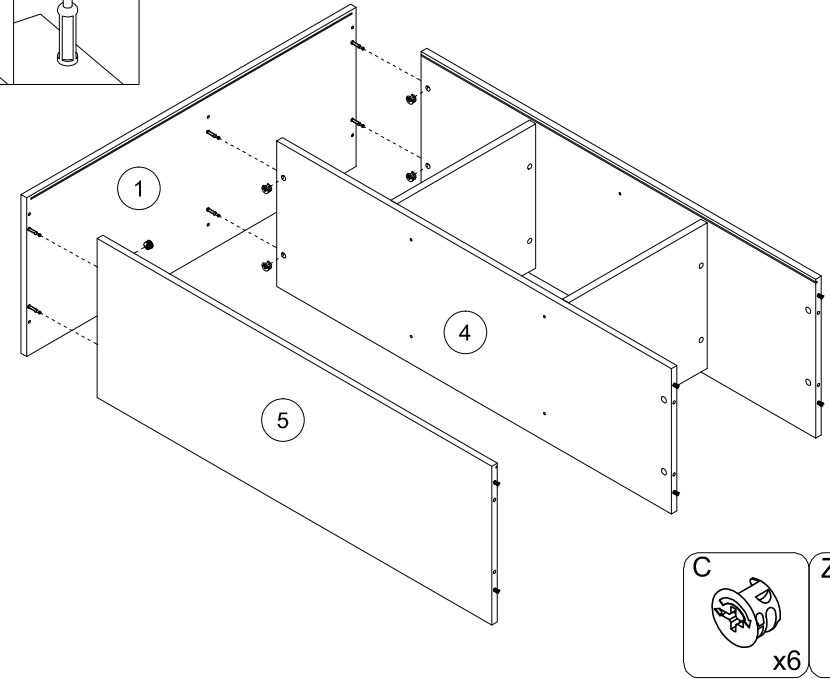
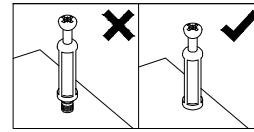


3

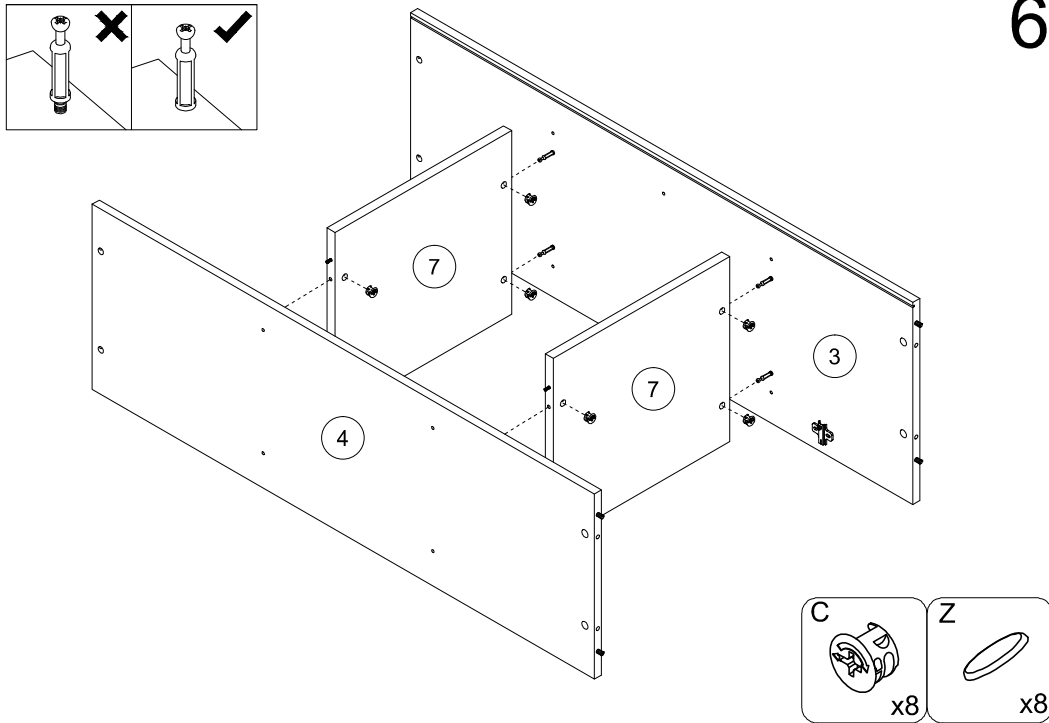
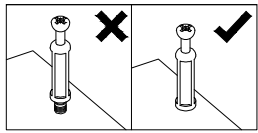




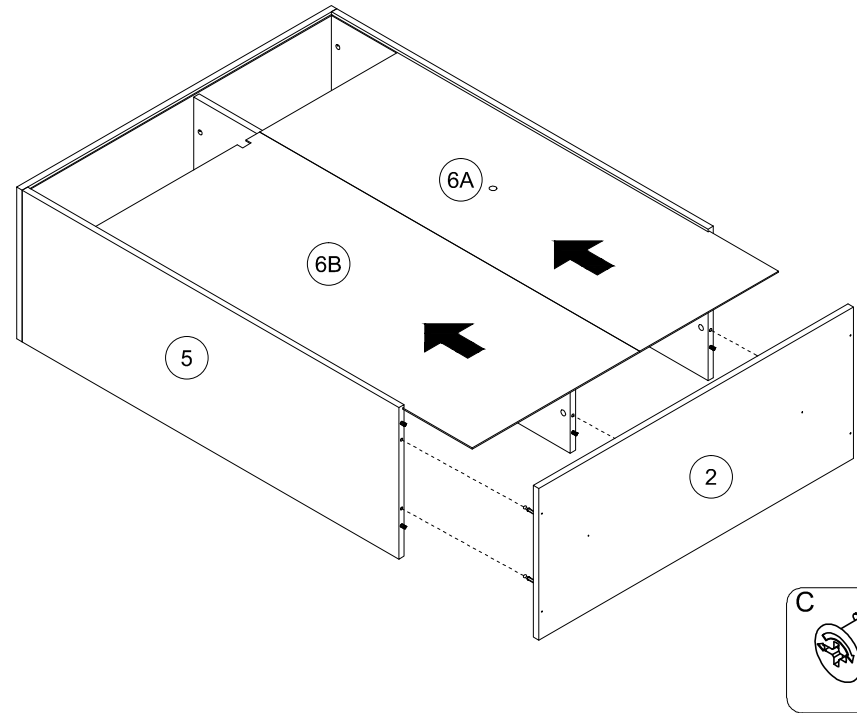
5



7



6



8

