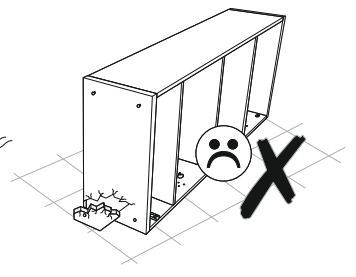
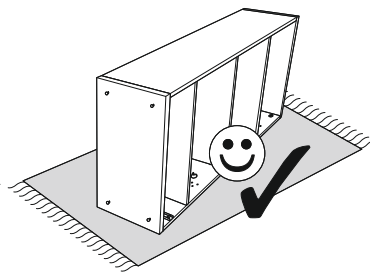
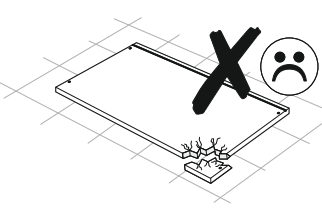
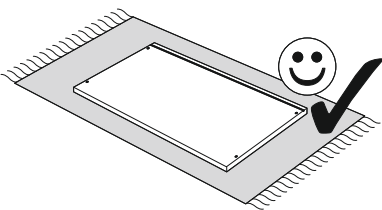
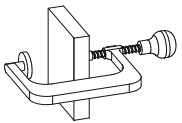
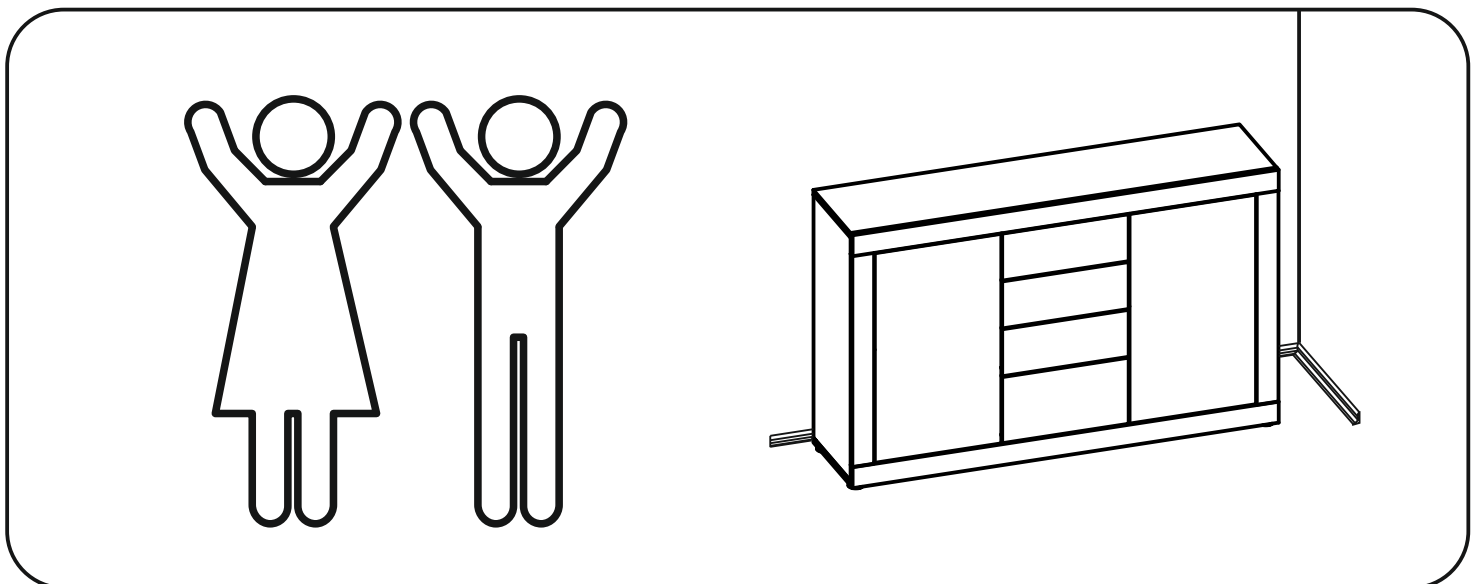
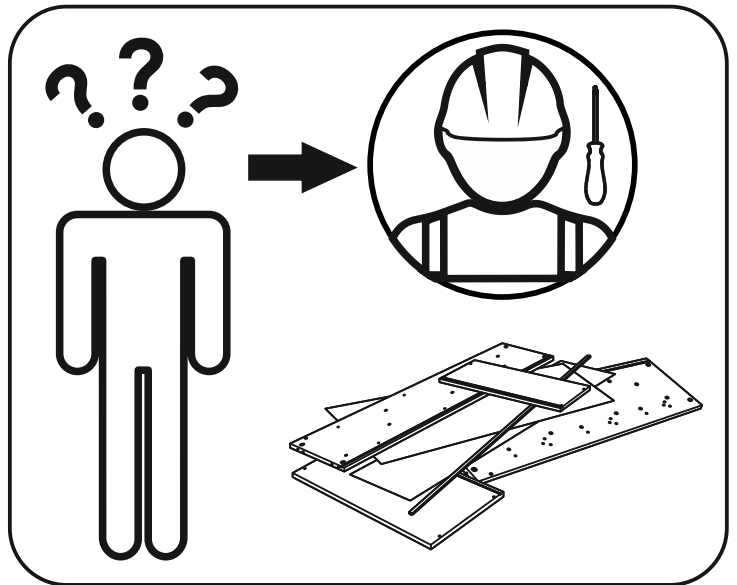
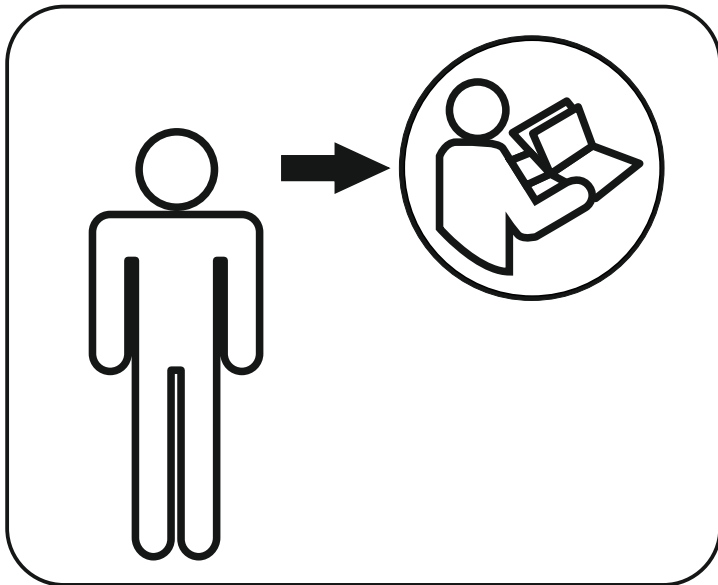
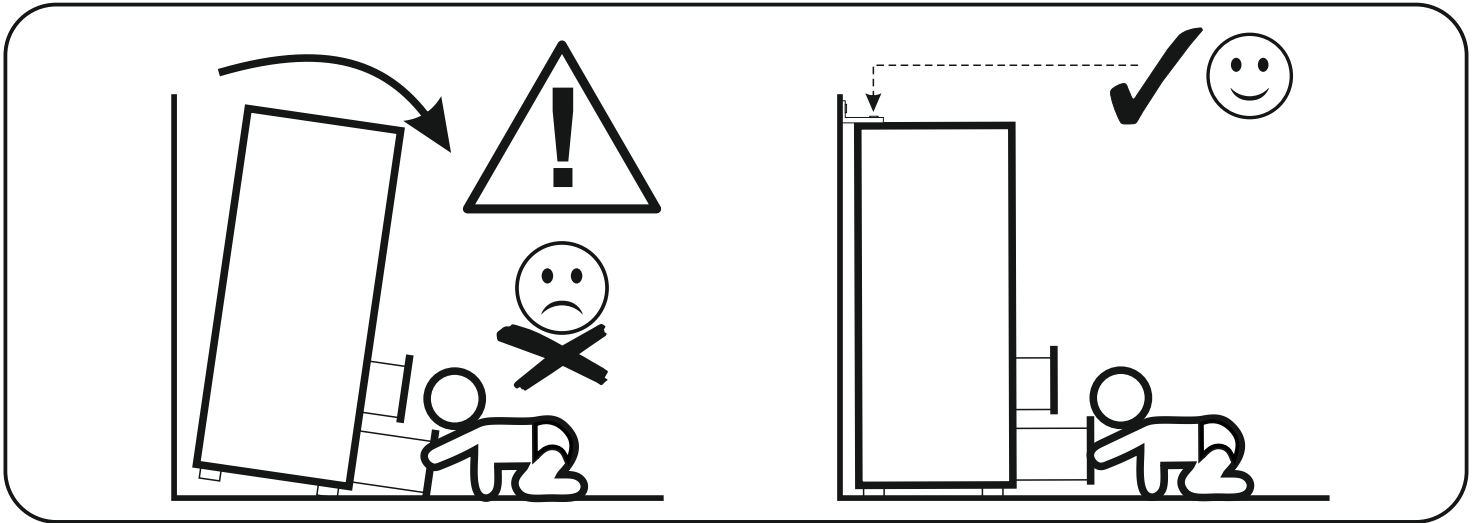
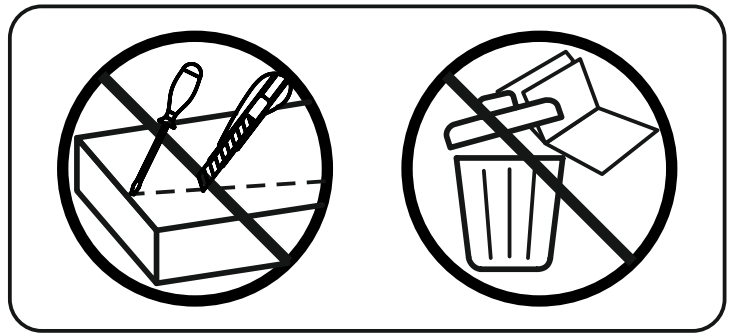
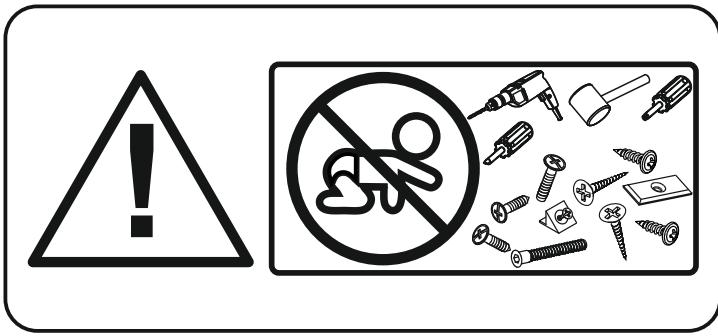
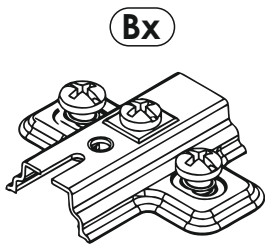
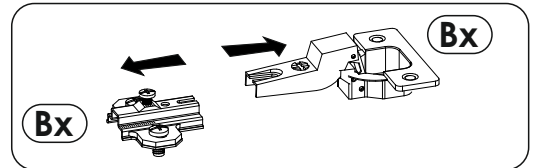
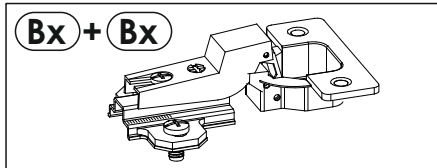
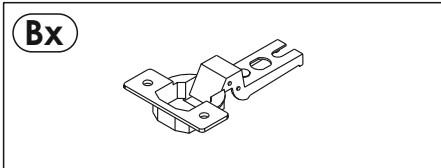
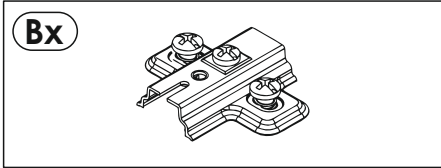
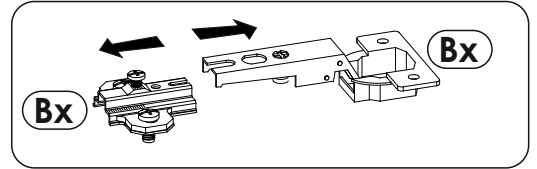
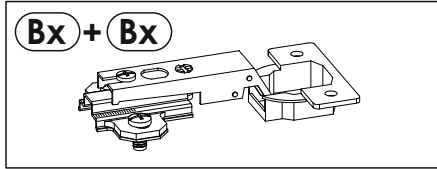
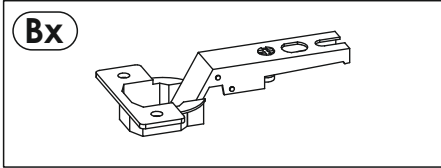
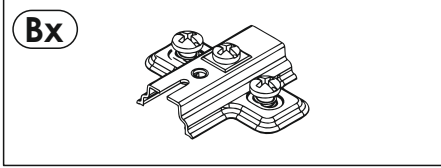


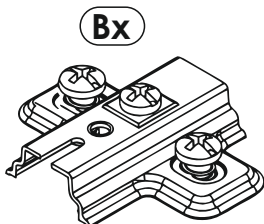
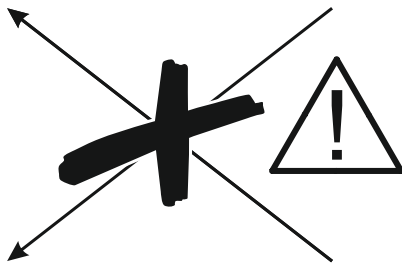
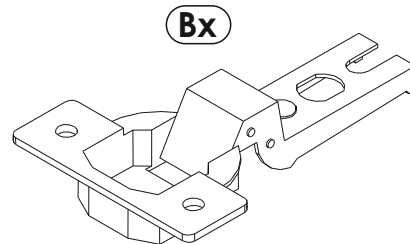
Ø5
Ø8



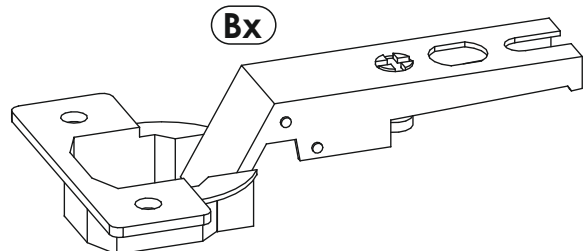


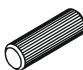
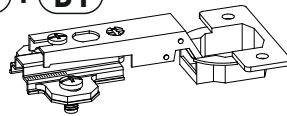
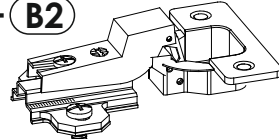
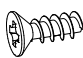
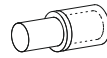
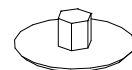


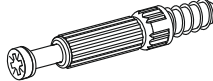
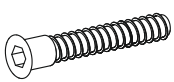

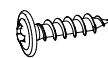

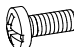
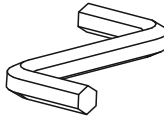
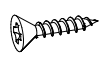
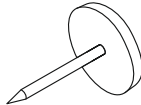
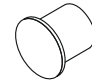

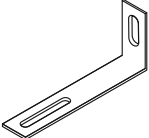
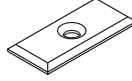
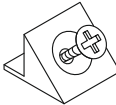
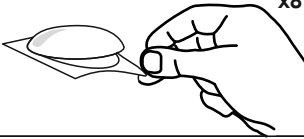
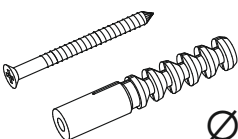
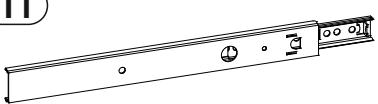
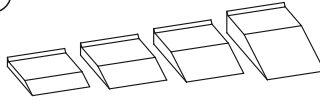


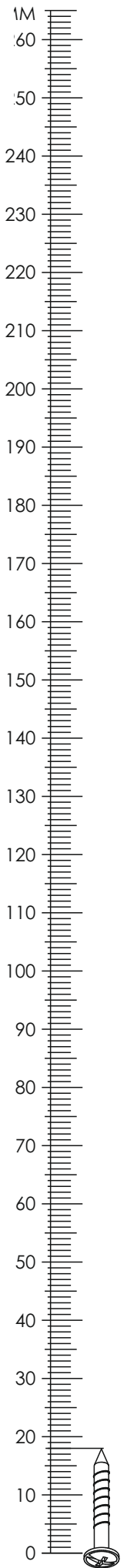
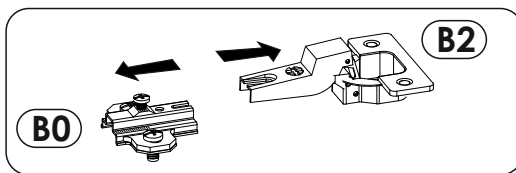
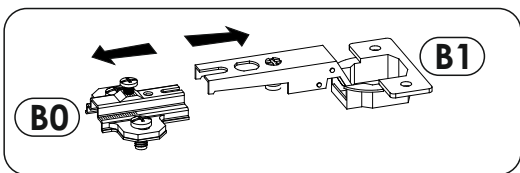
OK

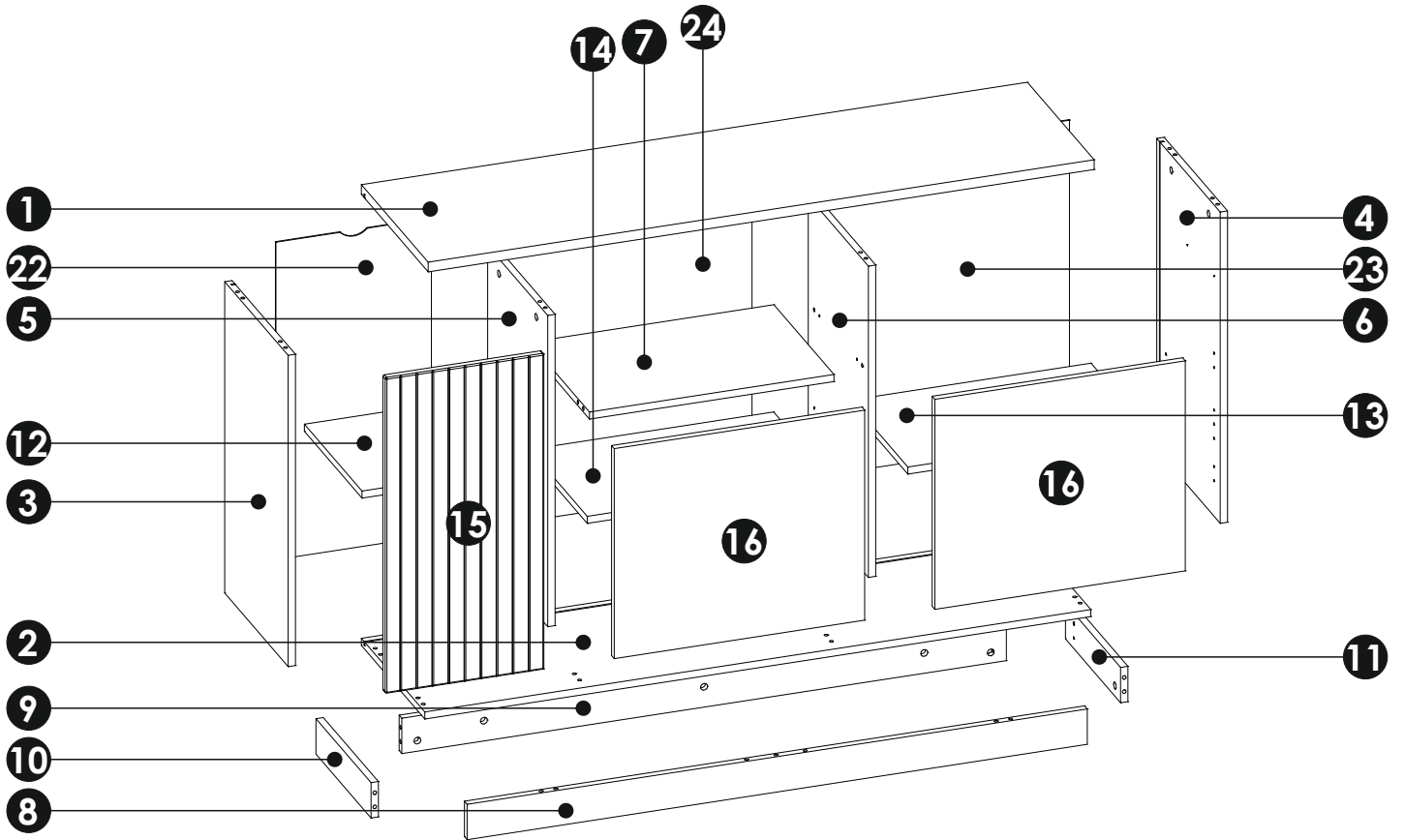
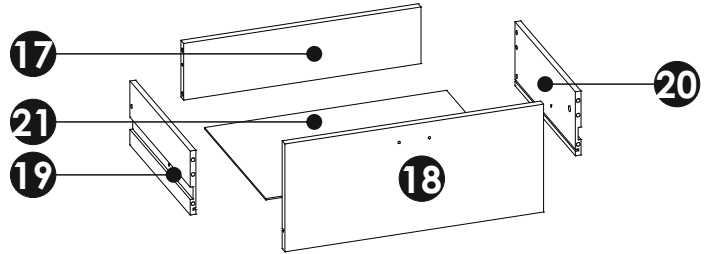
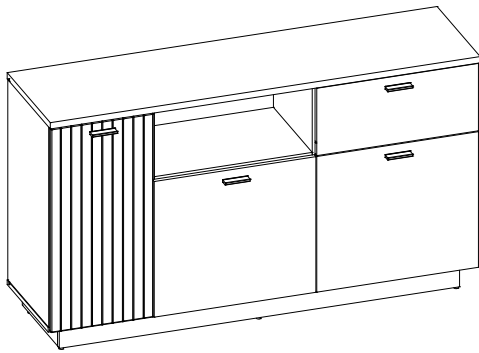


OK



A1 8 x 35 mm x36 	B0 + B1 x4 	B0 + B2 x2 
C2 5 x 13 mm x16 	D2 x12 	E0 Ø16 x8 
E1 15 x 12 mm x22 	E3 12 x 10 mm x2 	F1 6 x 34 mm x24 
G1 7 x 50 mm x10 	H1 L - 84 mm x4 	I2 4 x 16 mm x2 
I5 3,5 x 27 mm x8 	K1 4 x 9 mm x2 	M x1 
N1 3 x 16 mm x15 	O2 x6 	P0 x6 
P15 x1 	Q9 x2 	R1 x8 
R4 x10 	R8 x8 	S13 x2 Ø8 
T1 27/251 mm x2 	Z x1 	

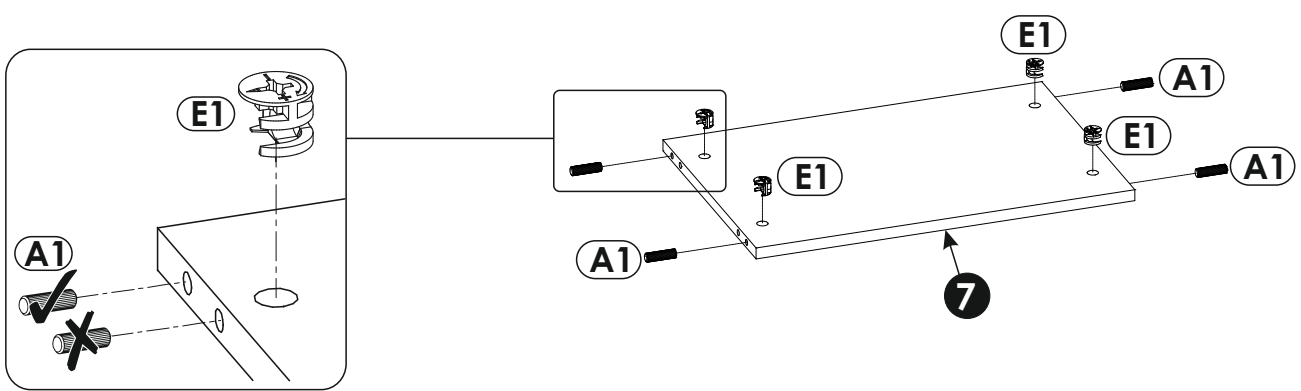
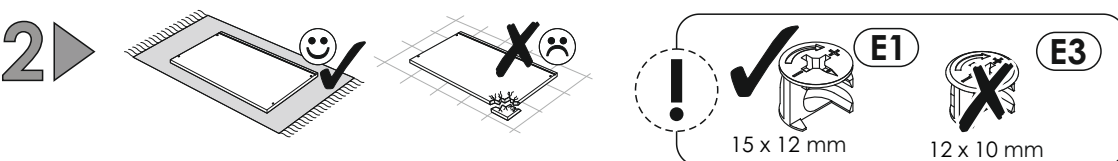
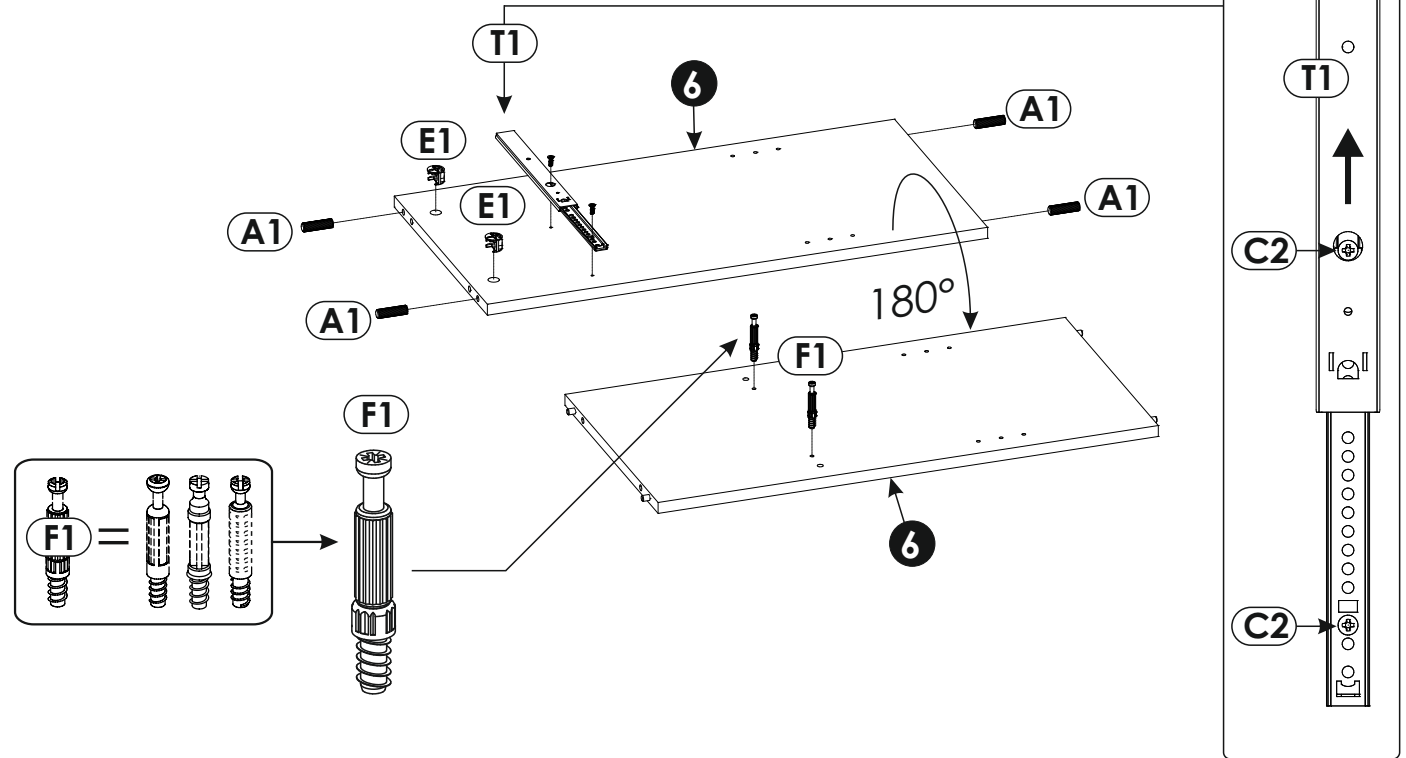
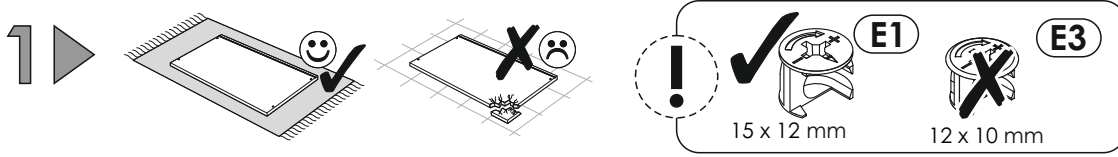
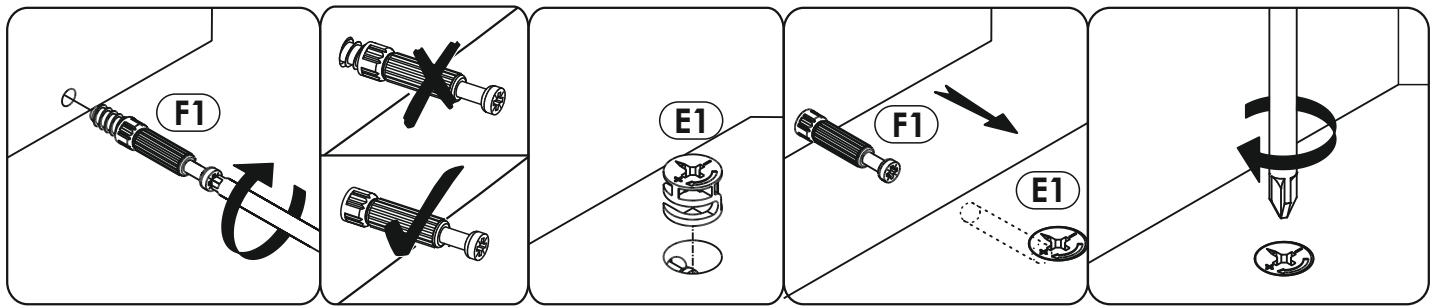


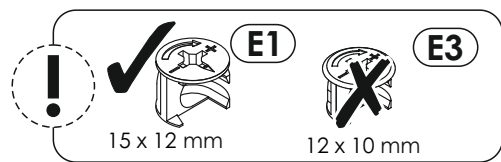
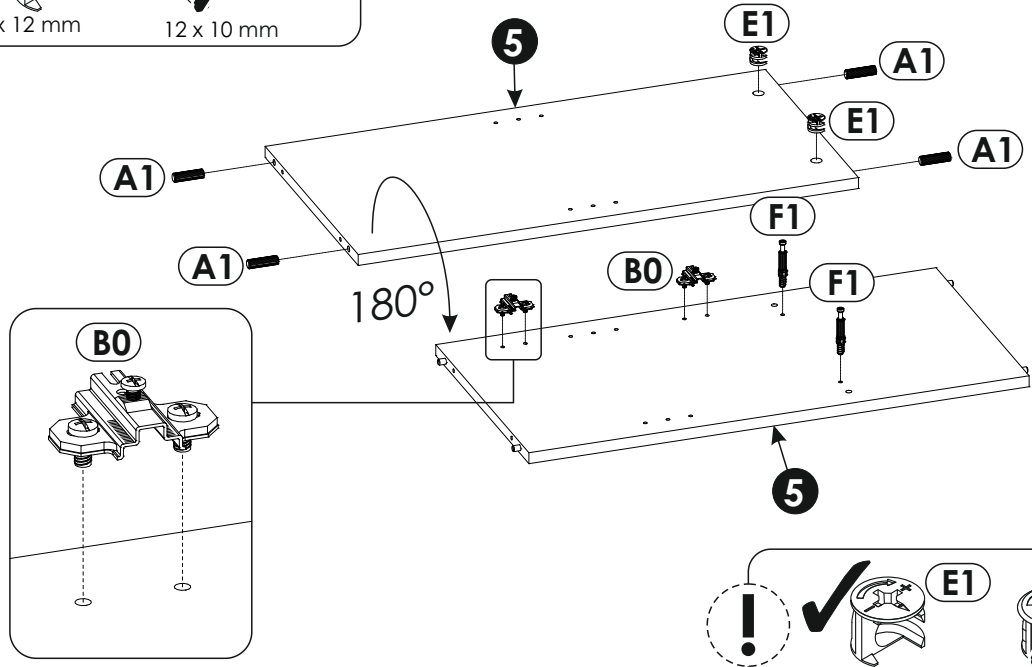
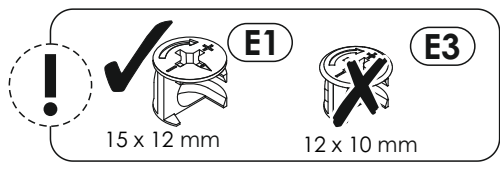
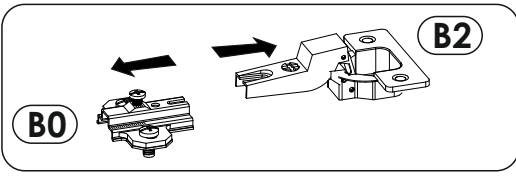
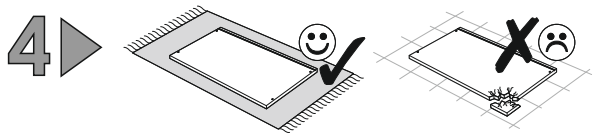
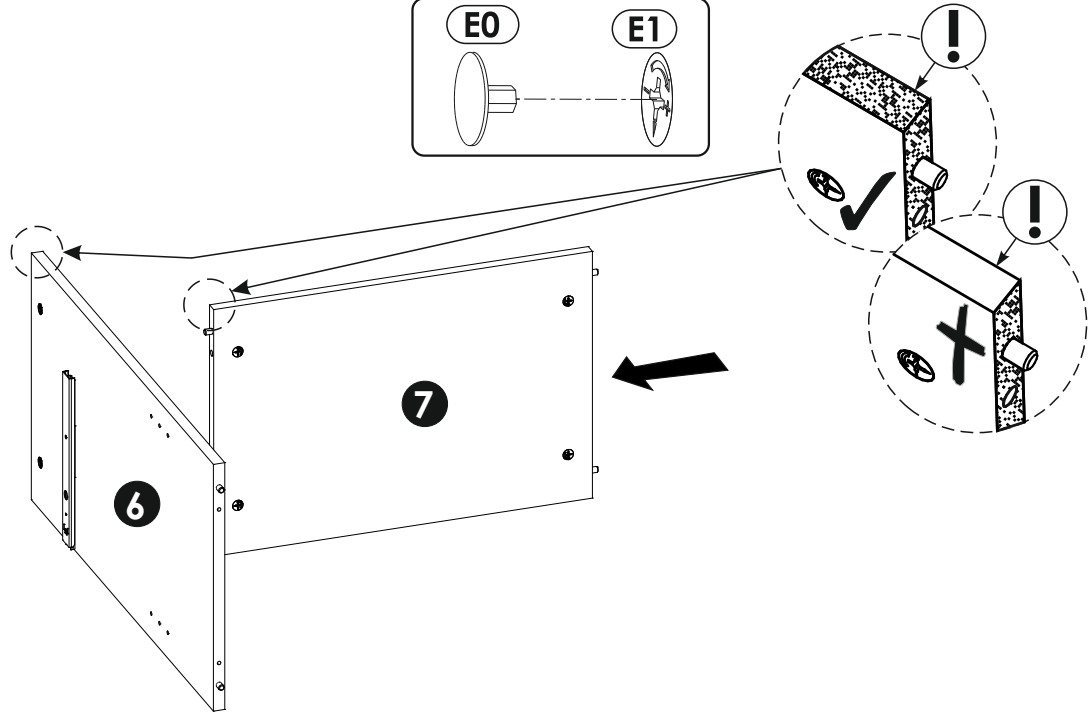
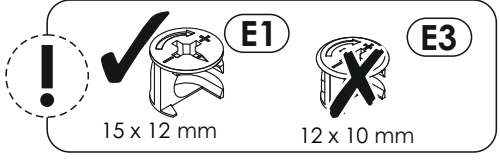
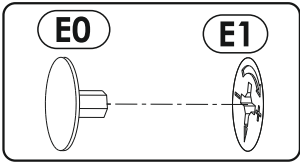
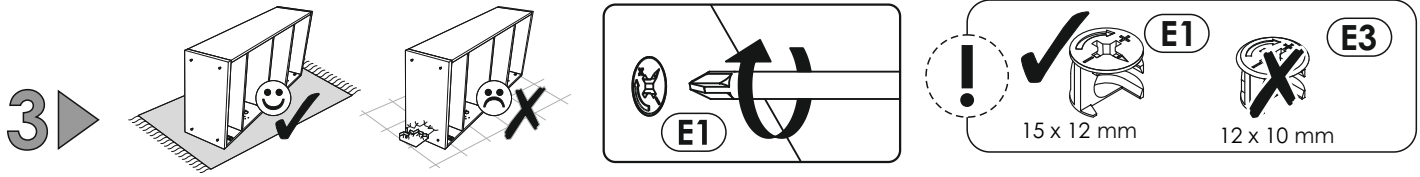


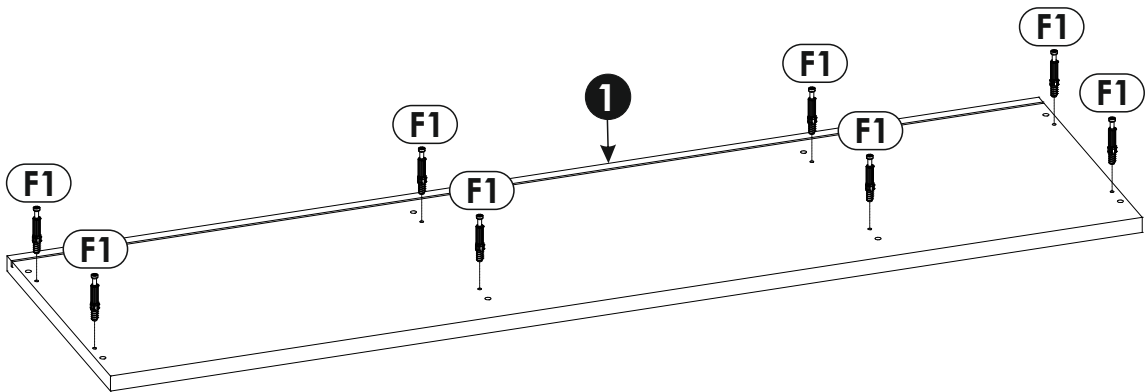
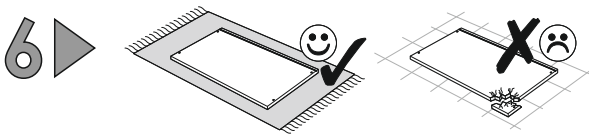
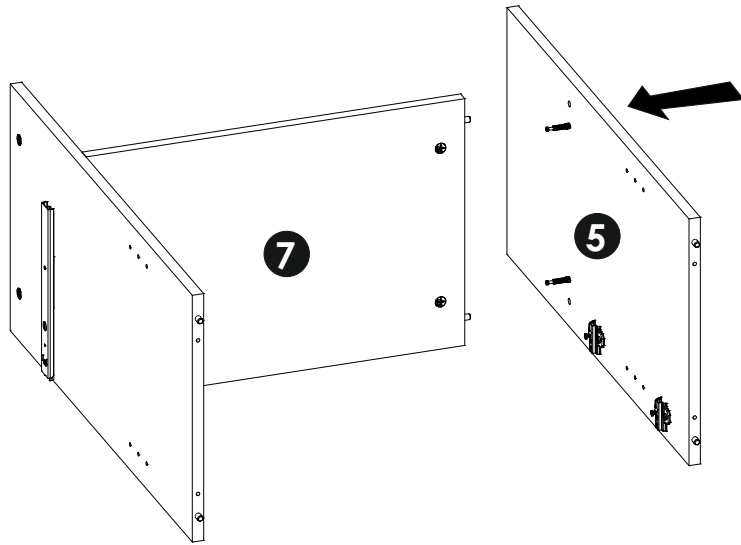
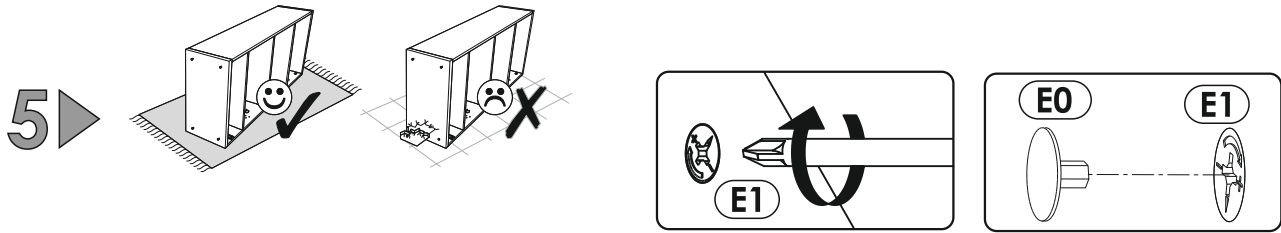
1	1452	400	22	x1	2/2
2	1450	380	16	x1	2/2
3	704	380	16	x1	2/2
4	704	380	16	x1	2/2
5	704	360	16	x1	1/2
6	704	360	16	x1	1/2
7	533	360	16	x1	1/2
8	1352	80	16	x1	2/2

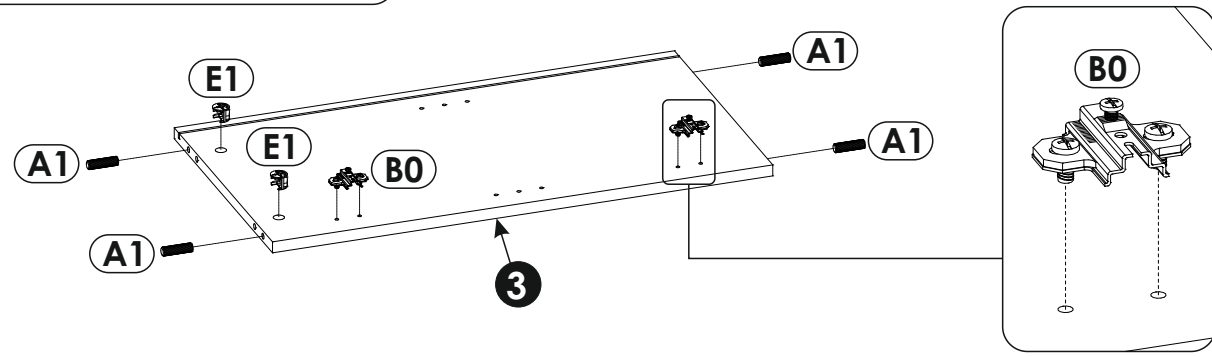
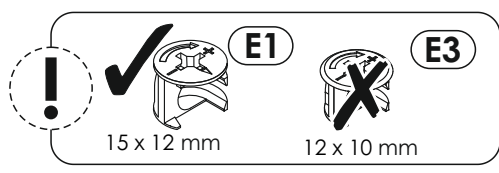
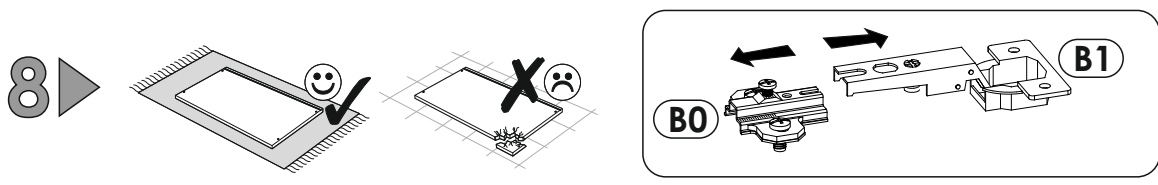
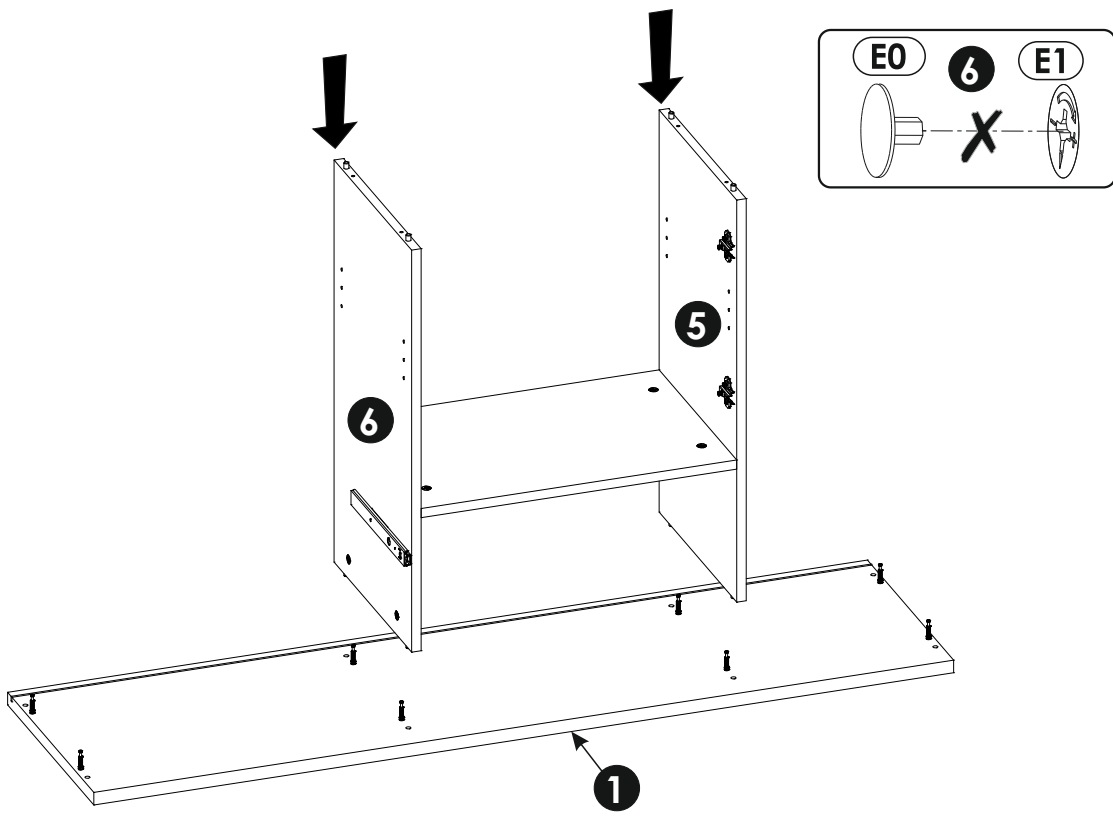
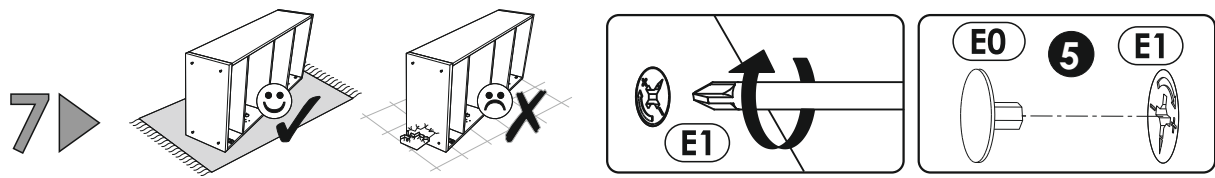
9	1318	80	16	x1	2/2
10	330	80	16	x1	2/2
11	330	80	16	x1	2/2
12	324	345	16	x1	1/2
13	525	345	16	x1	1/2
14	532	345	16	x1	1/2
15	714	346	16	x1	1/2
16	475	546	16	x2	1/2

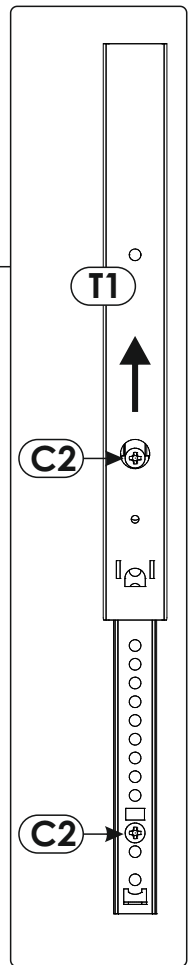
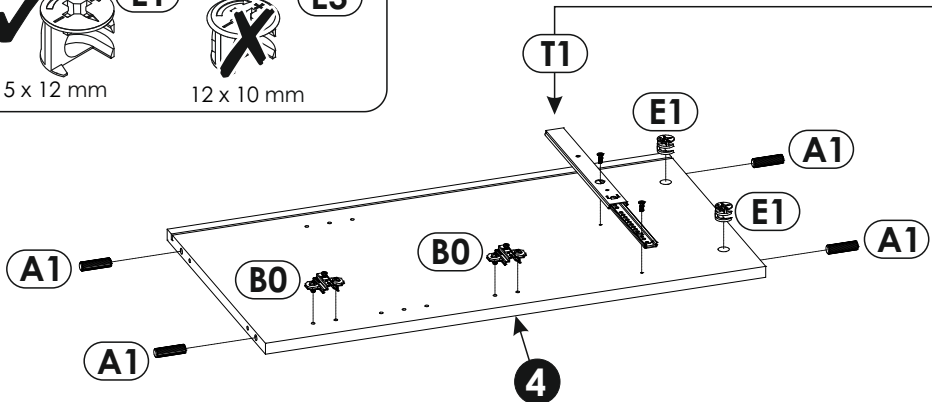
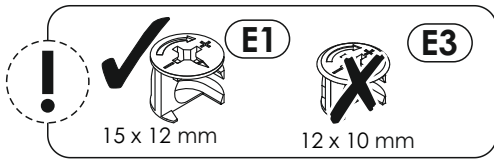
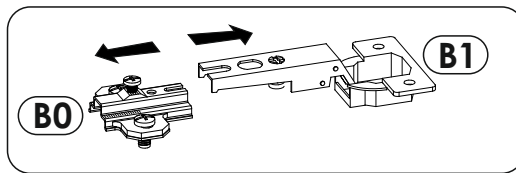
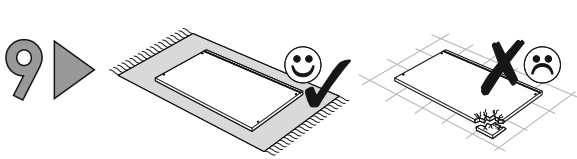
17	494	124	16	x1	2/2
18	546	236	16	x1	2/2
19	350	140	12	x1	1/2
20	350	140	12	x1	1/2
21	504	355	3	x1	1/2
22	718	339	3	x1	1/2
23	718	540	3	x1	1/2
24	718	549	3	x1	1/2



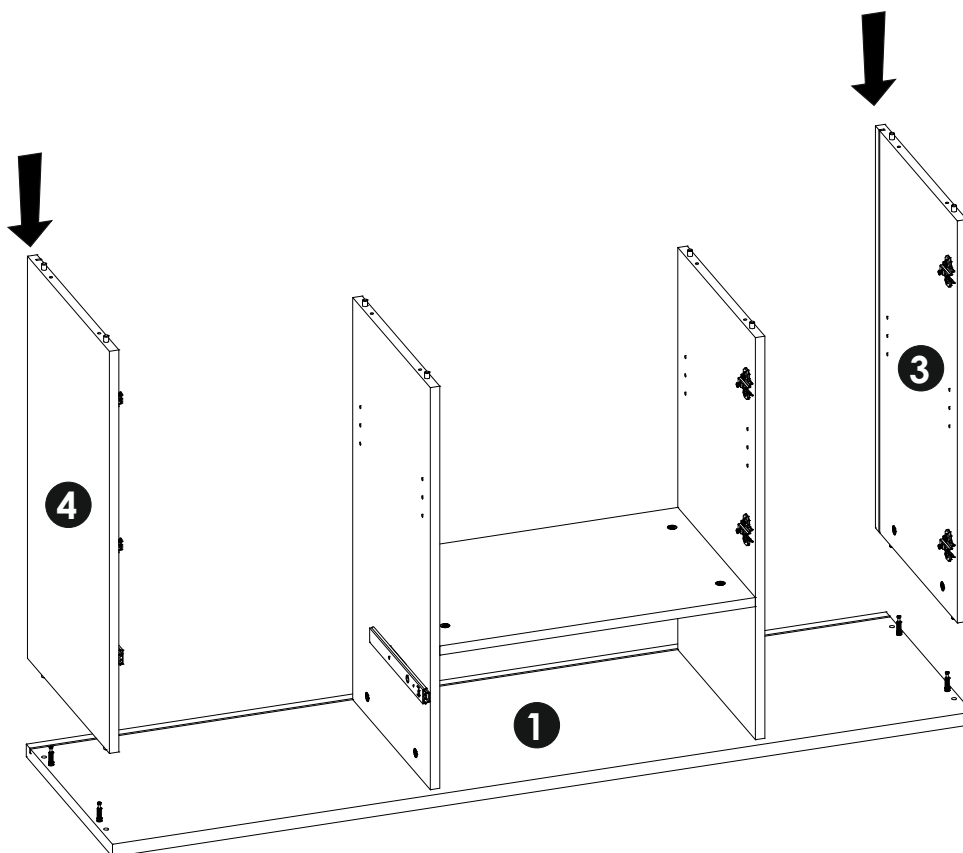
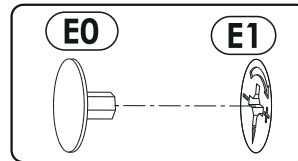
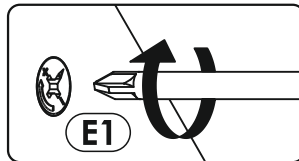
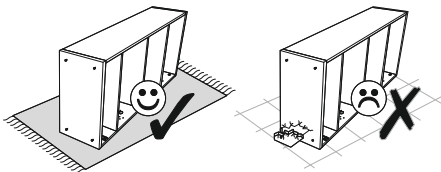




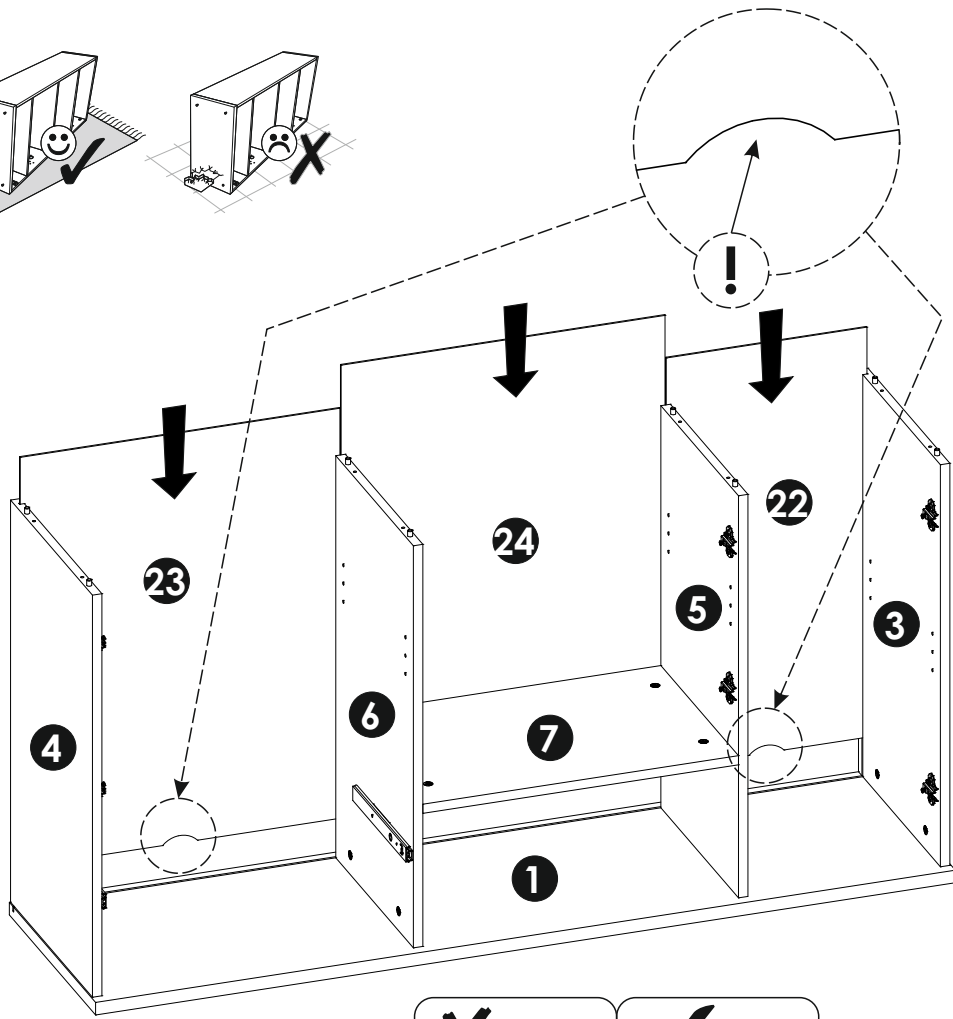
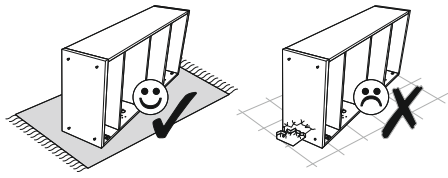




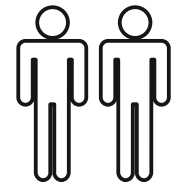
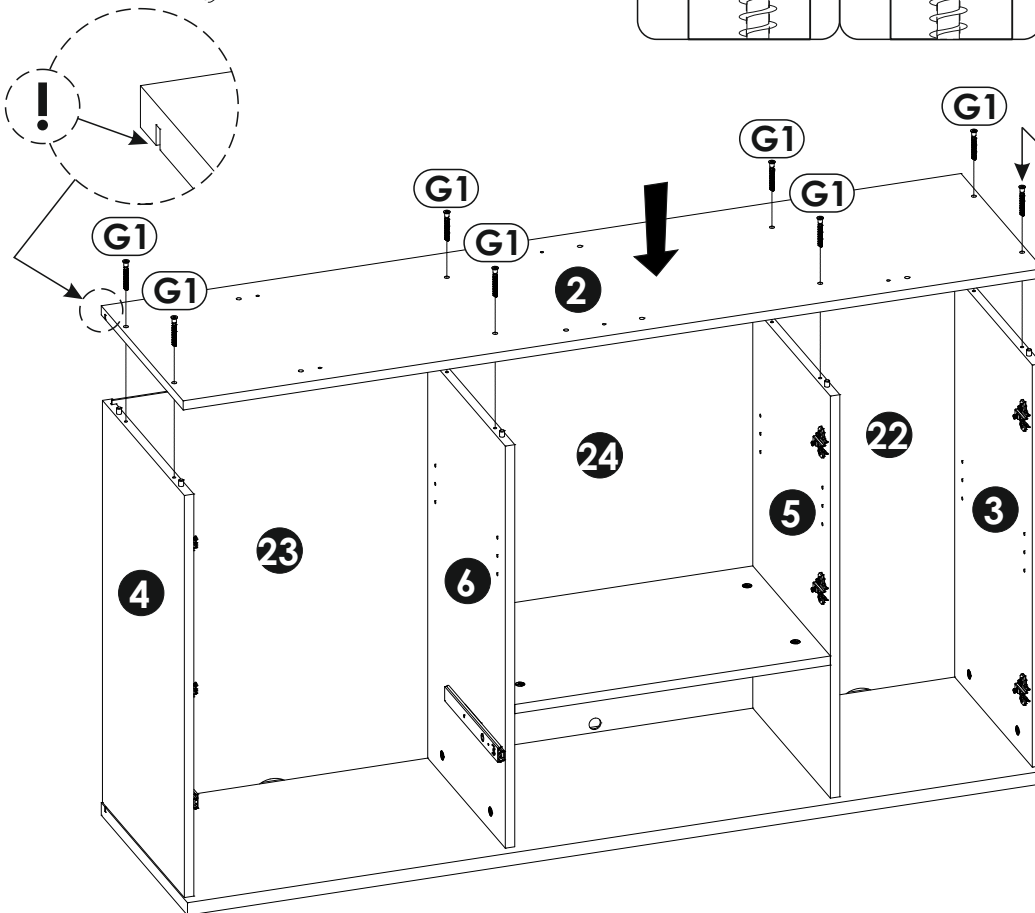
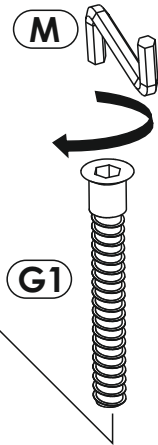
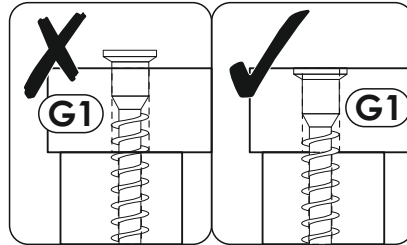
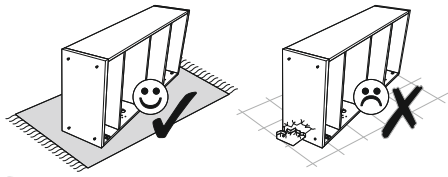
10 ▶

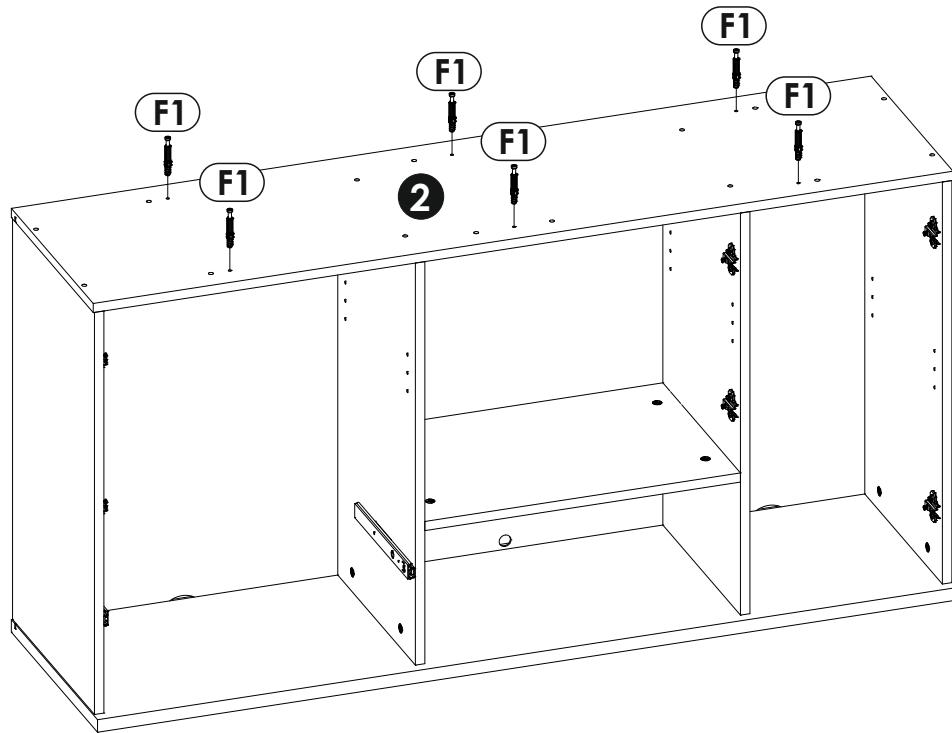
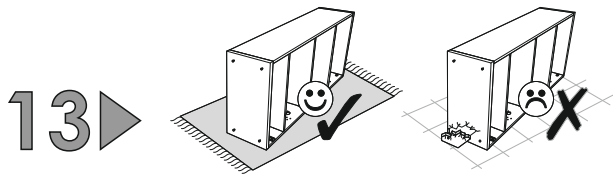


11 ▶

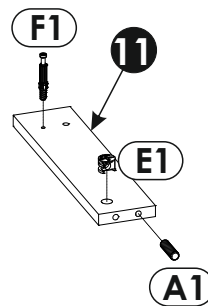
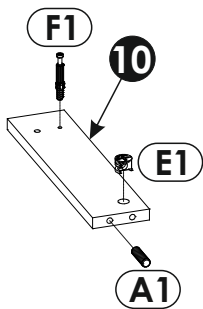
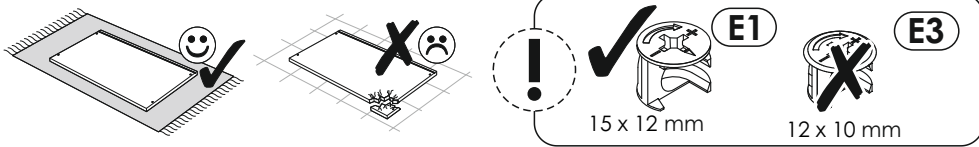


12 ▶

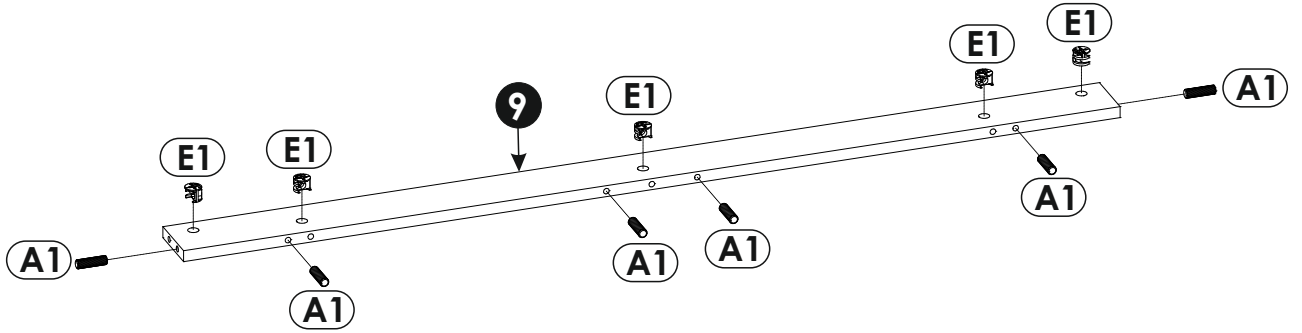
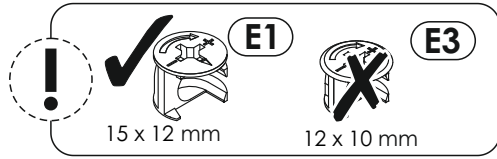
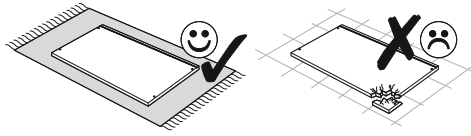




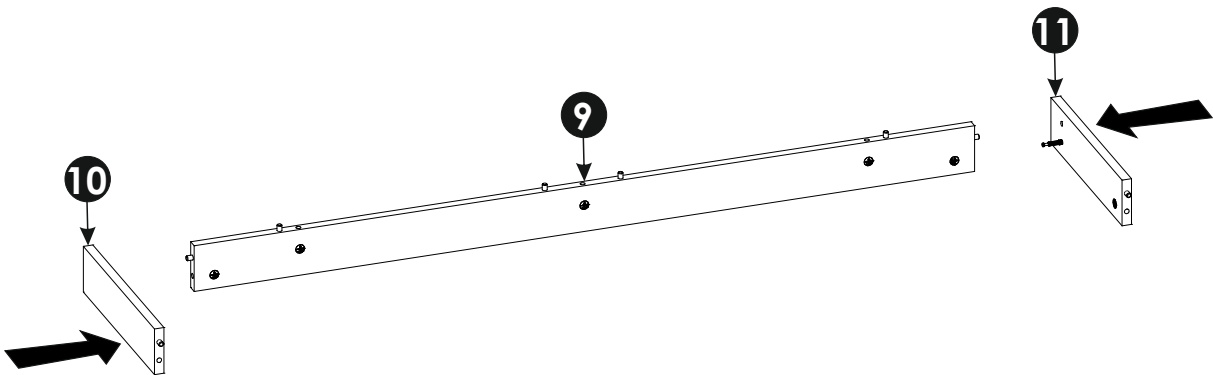
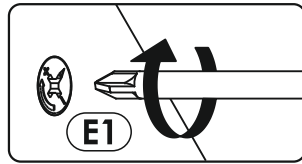
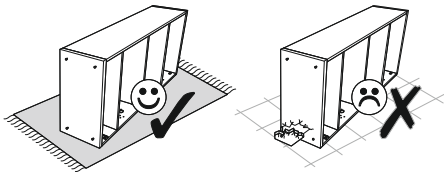
14 ▶



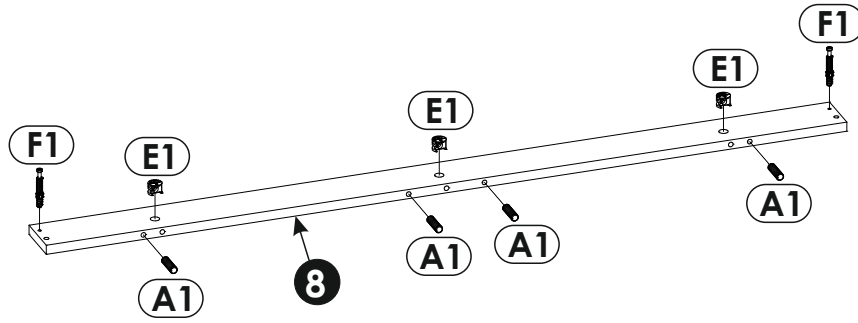
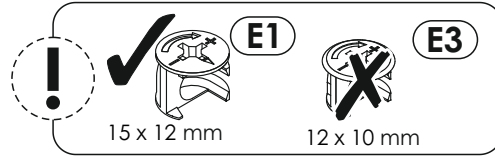
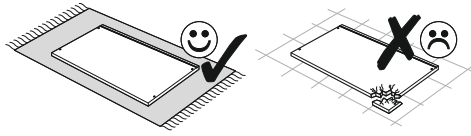
15 ▶



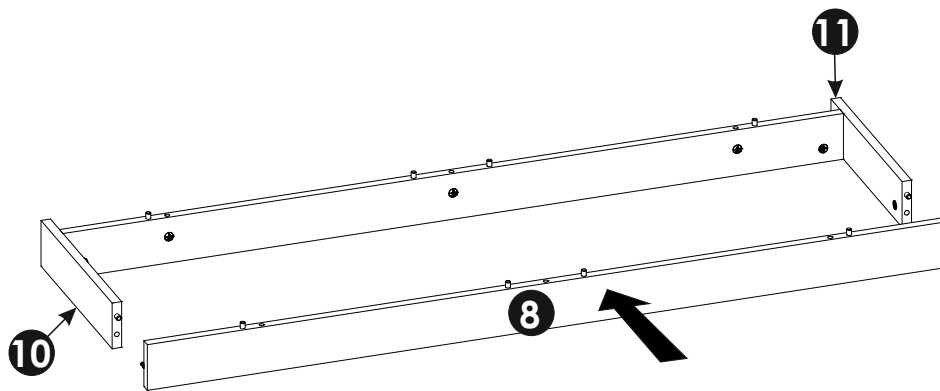
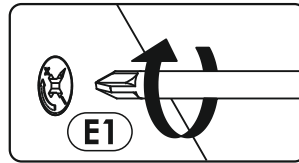
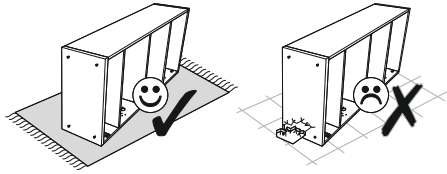
16 ▶

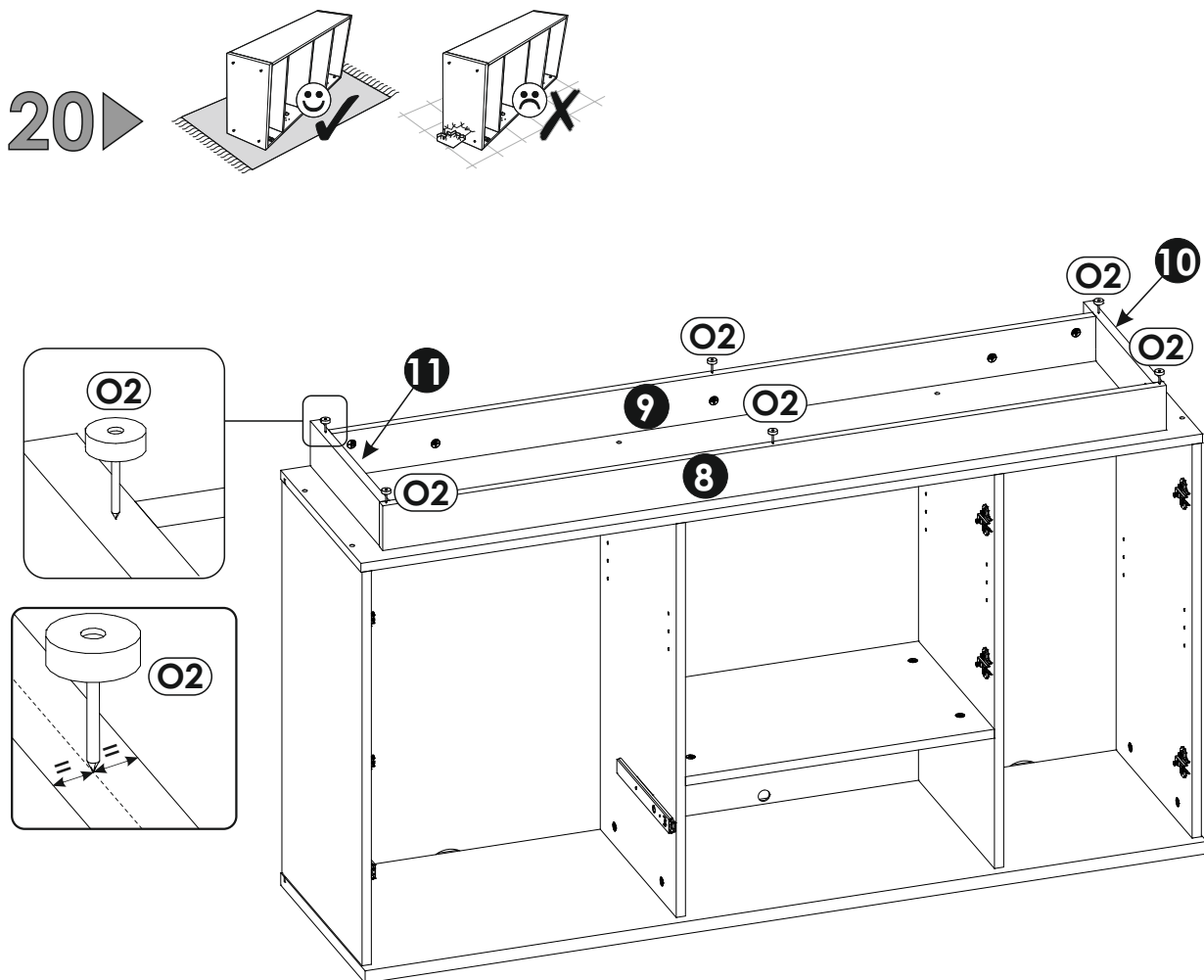
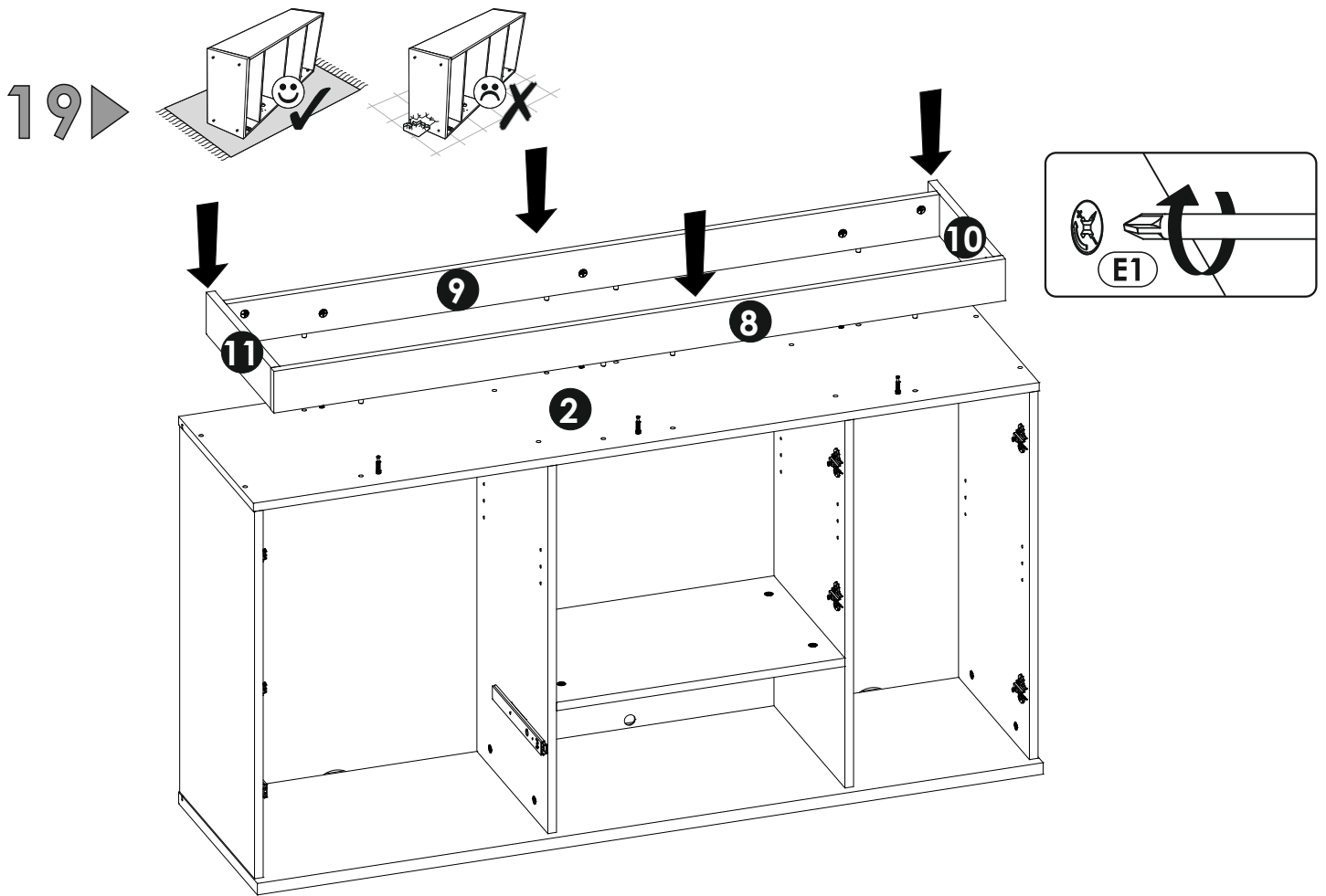


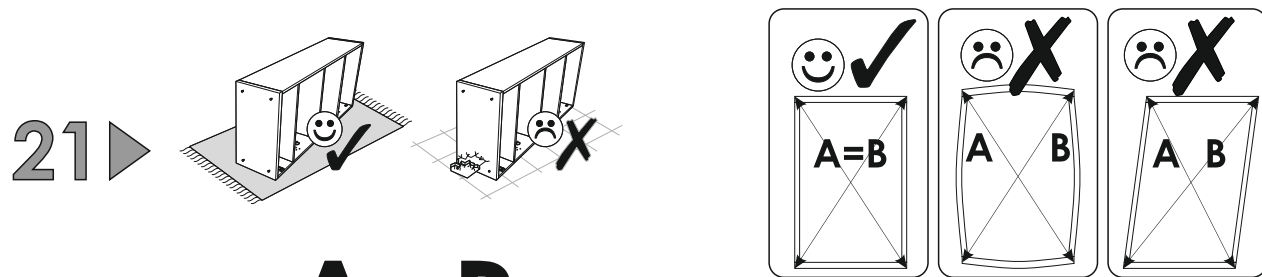
17 ▶



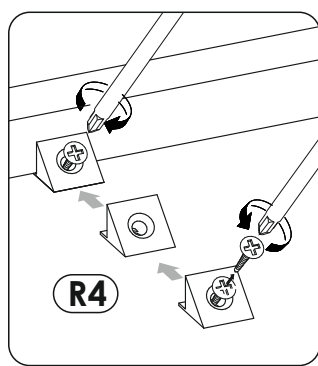
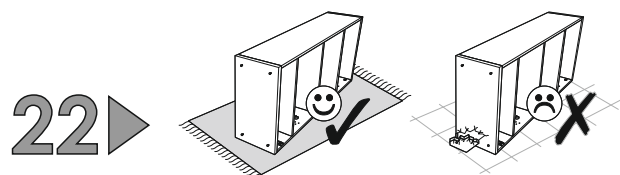
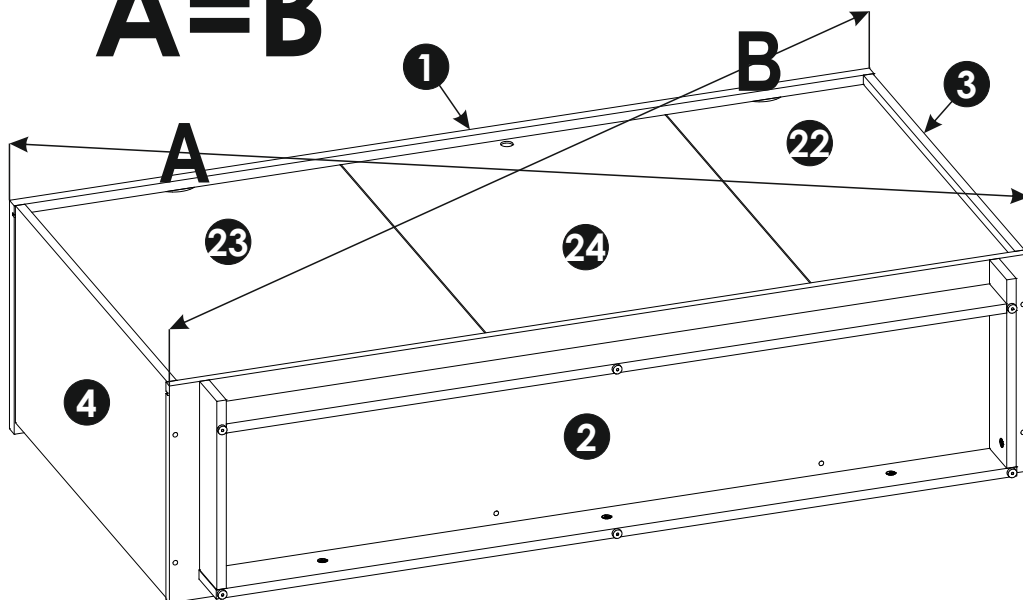
18 ▶



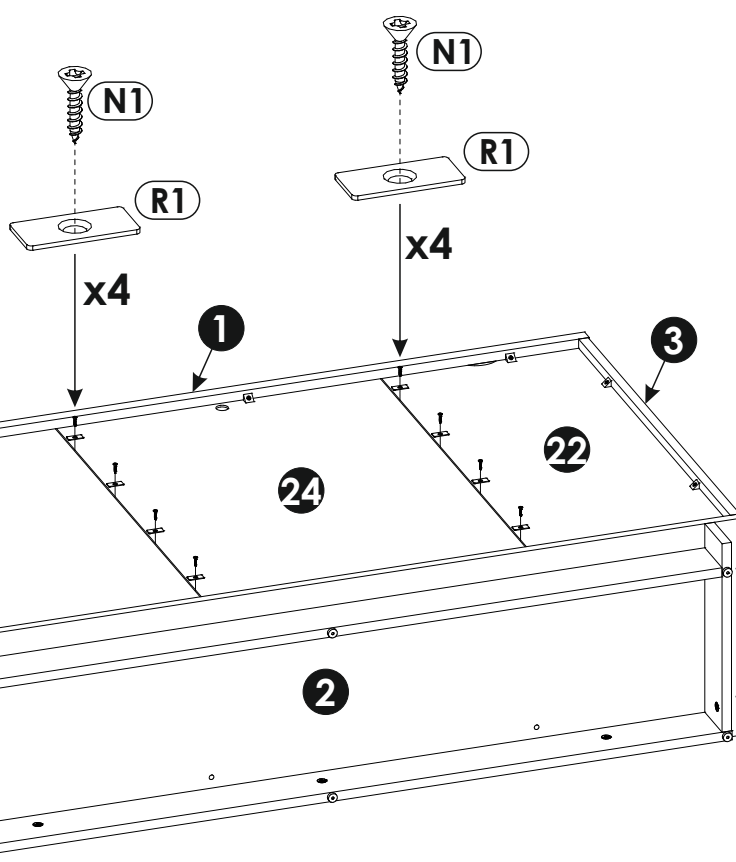




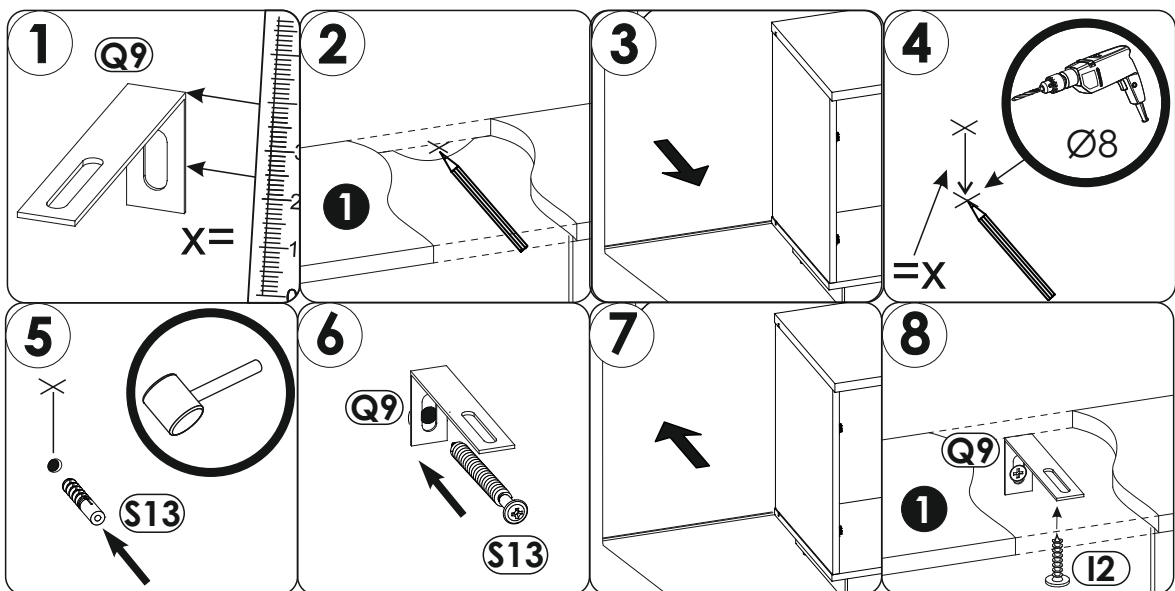
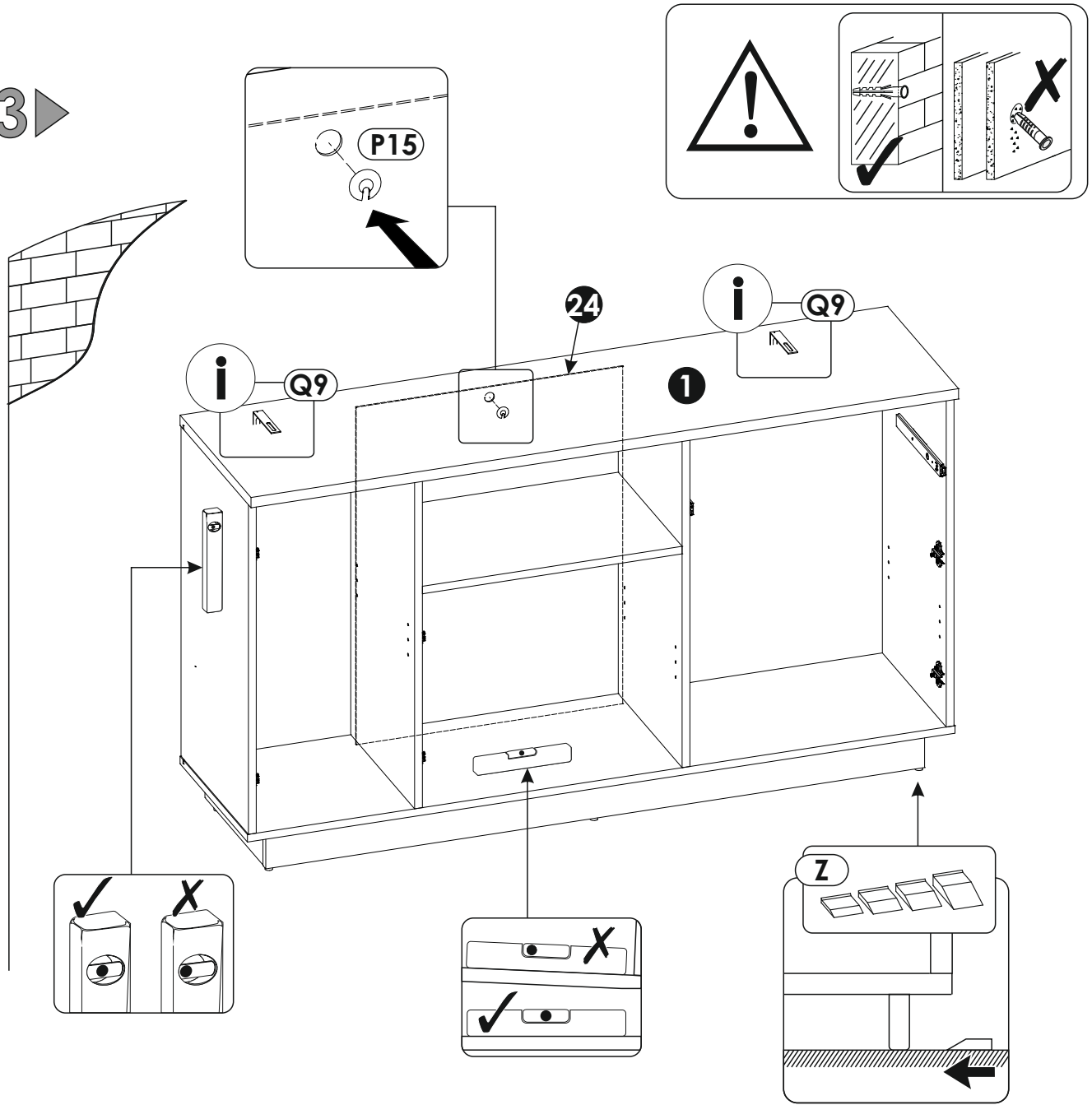
A=B



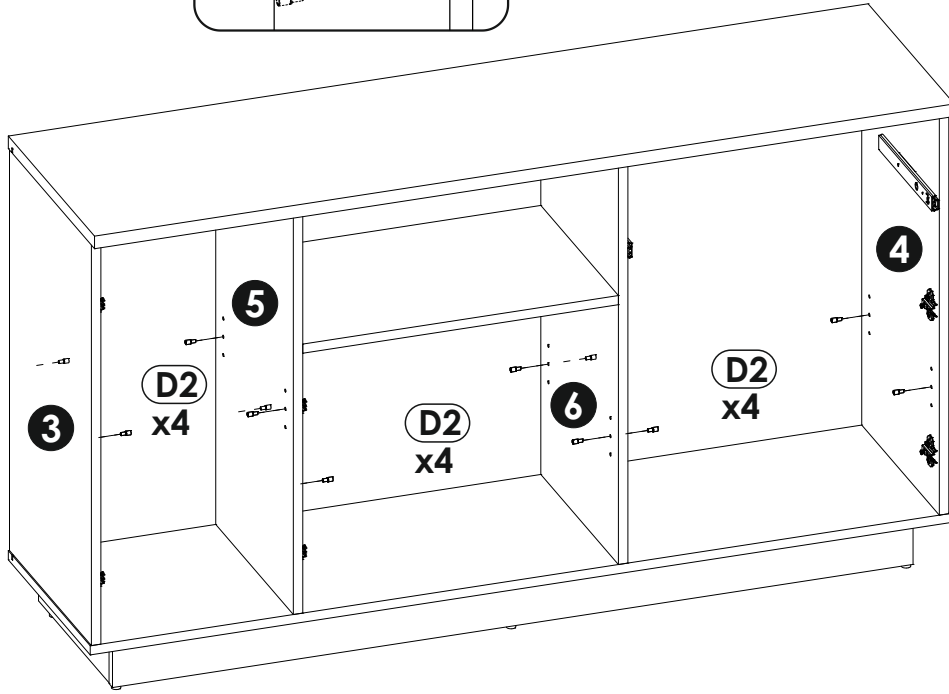
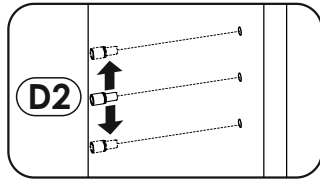
x10



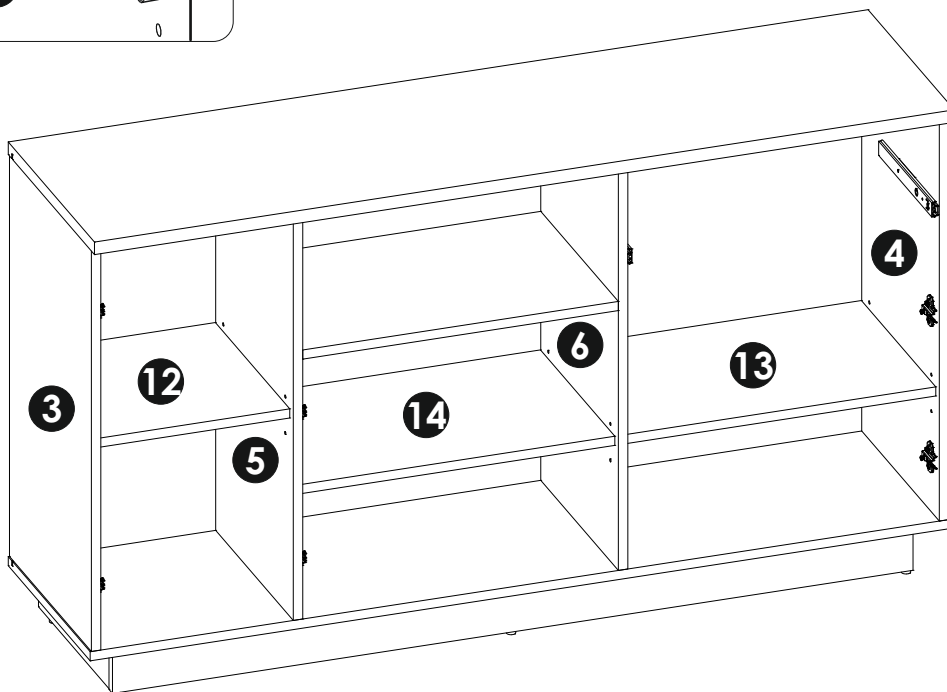
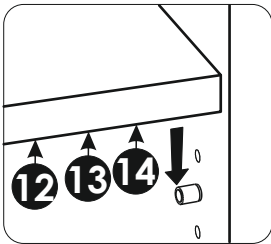
23 ▶



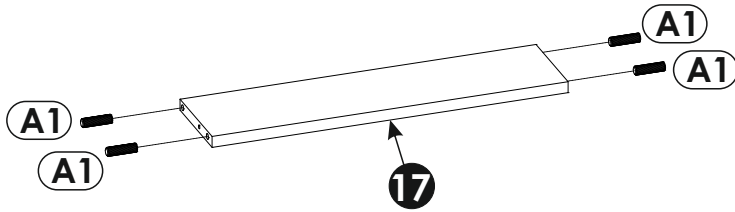
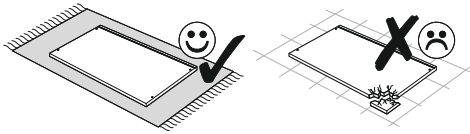
24▶



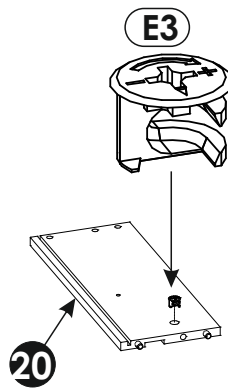
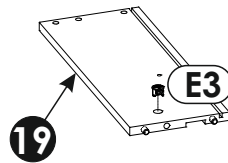
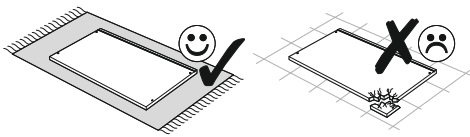
25▶



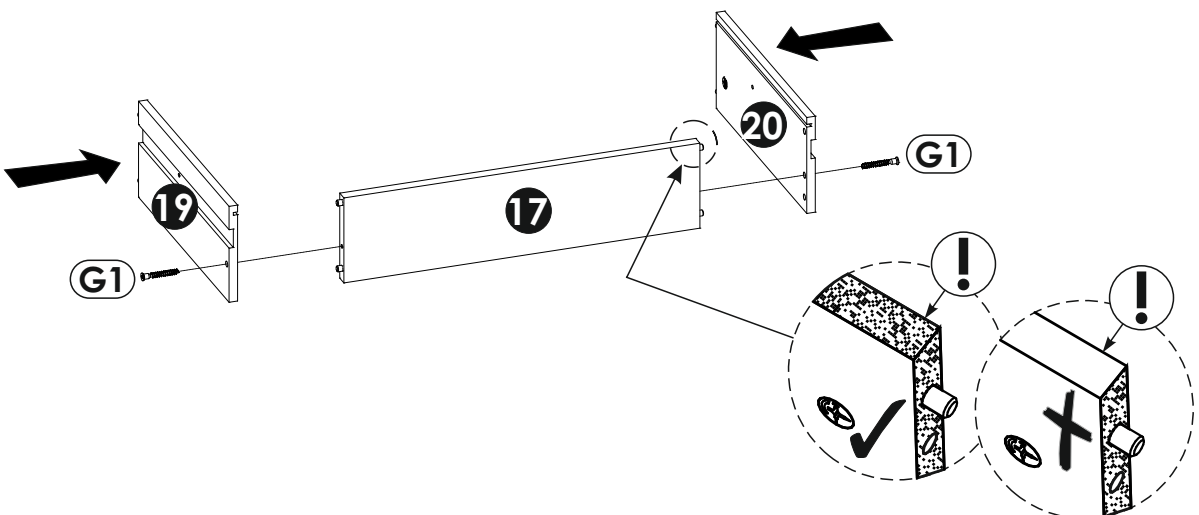
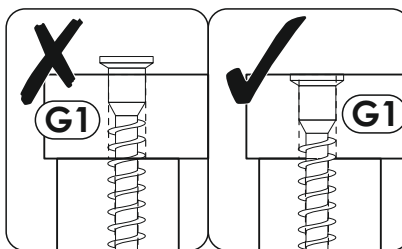
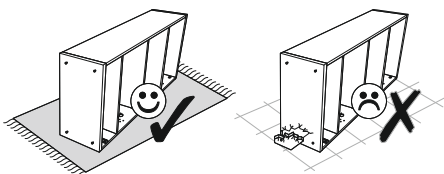
26▶



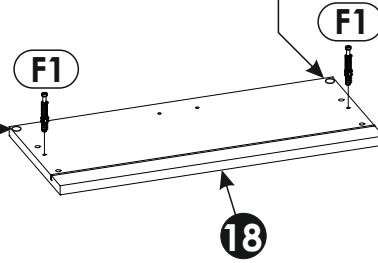
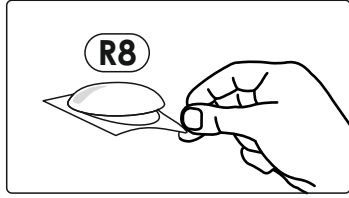
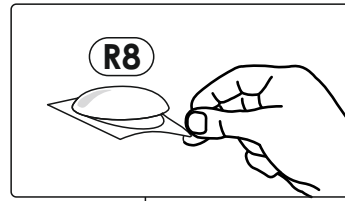
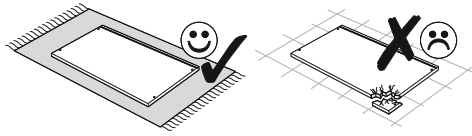
27▶



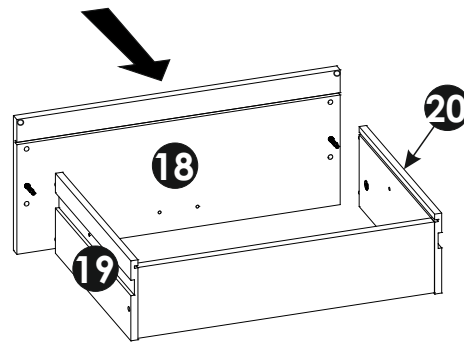
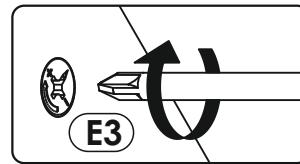
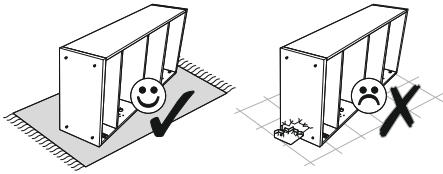
28▶



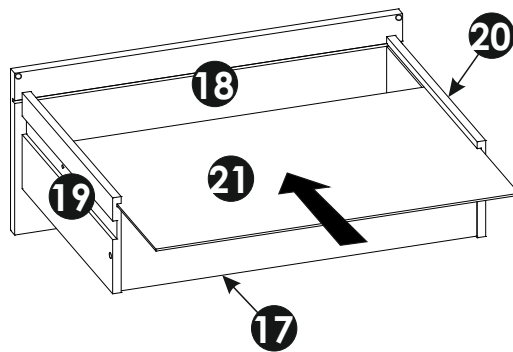
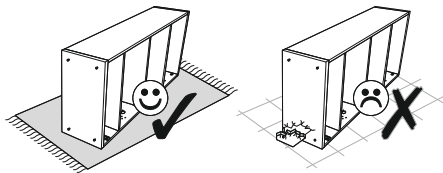
29 ▶



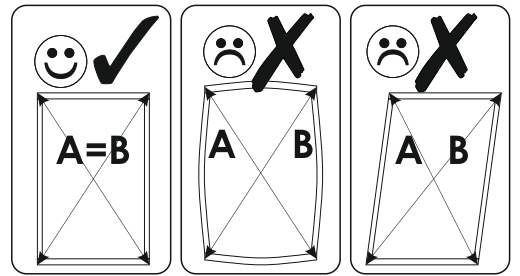
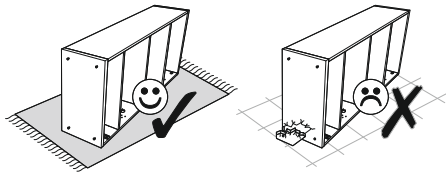
30 ▶



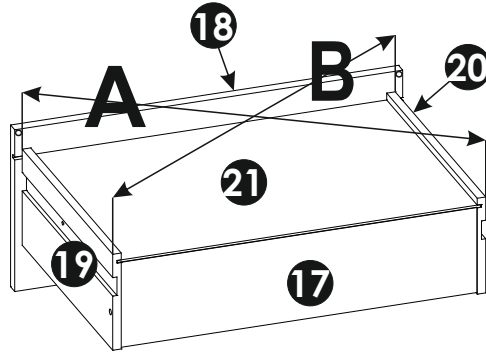
31 ▶



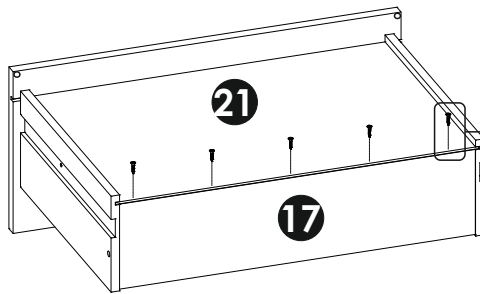
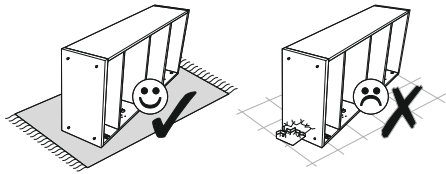
32 ▶



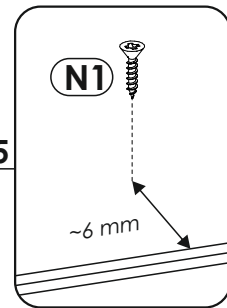
A=B



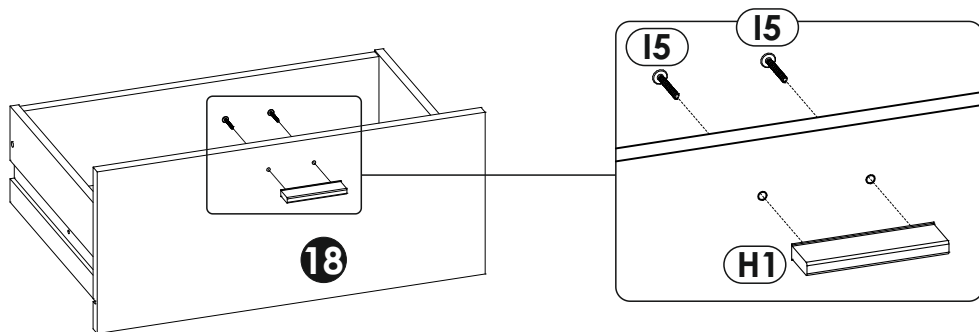
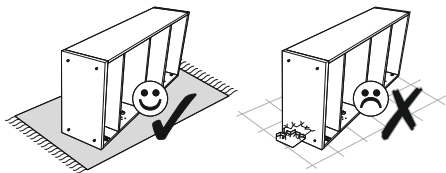
33 ▶



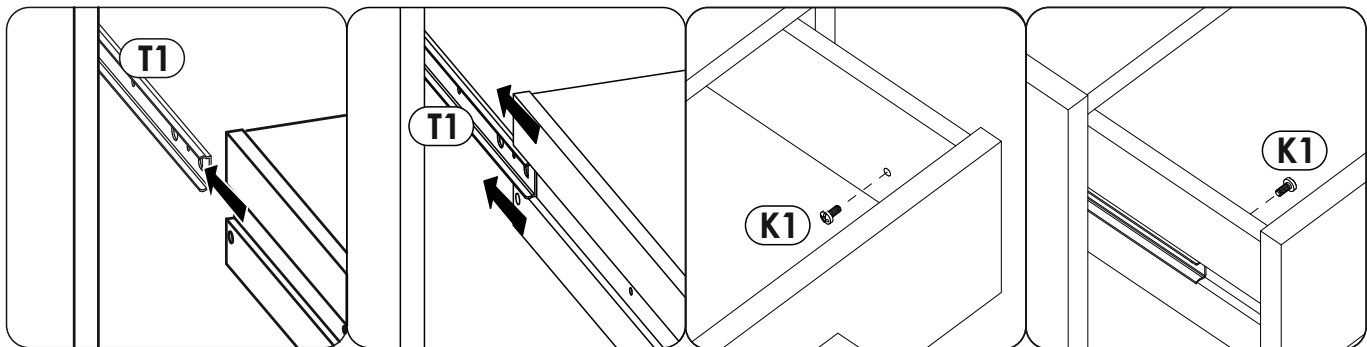
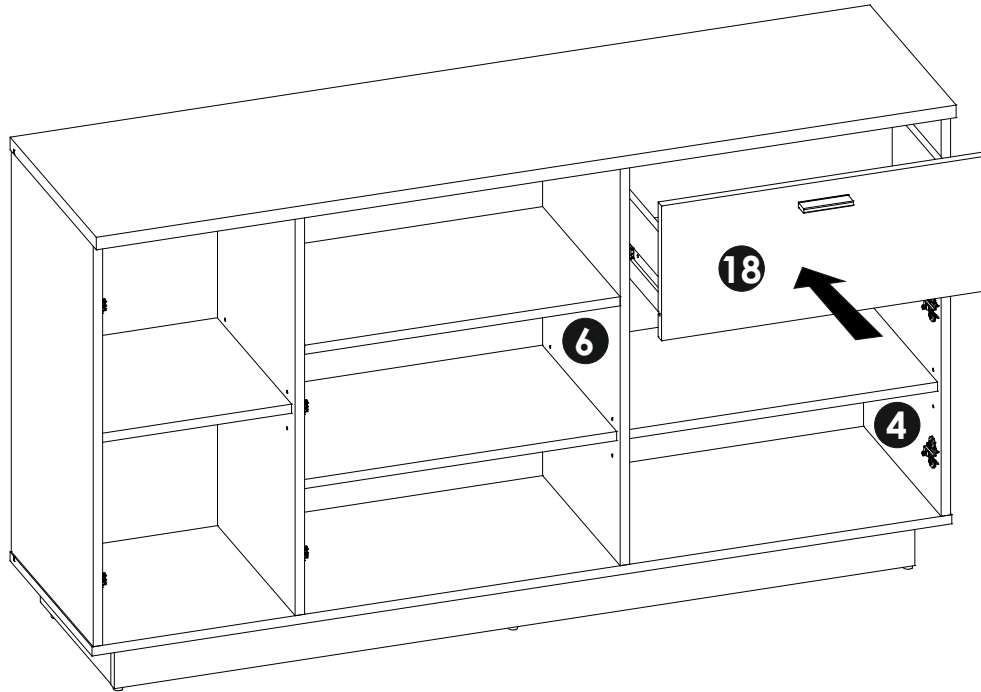
x5



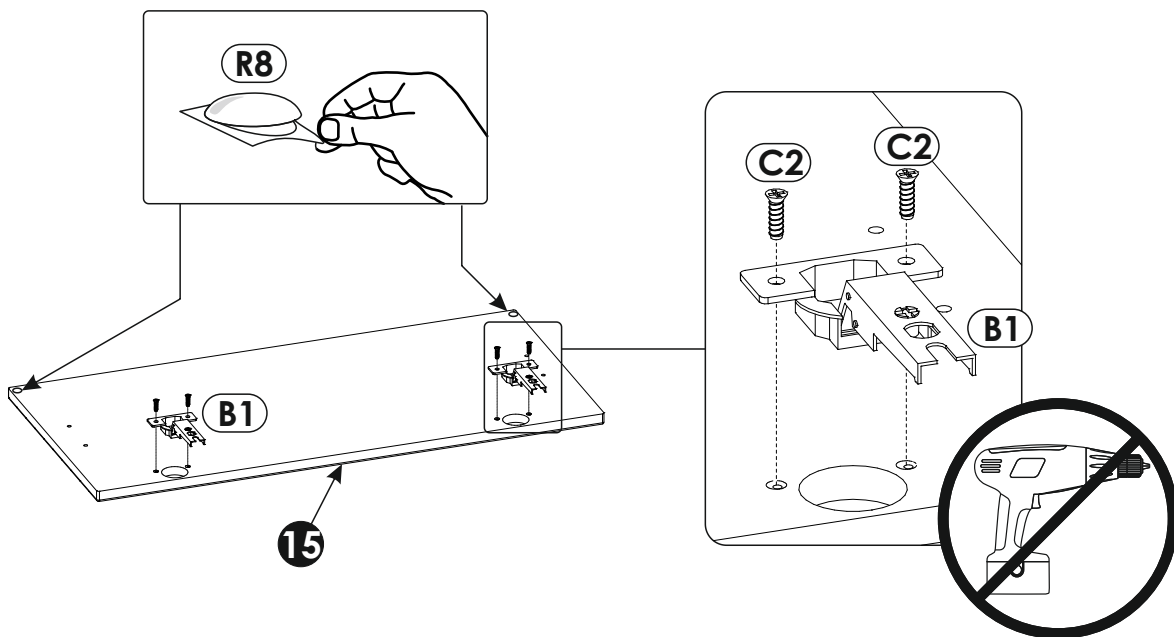
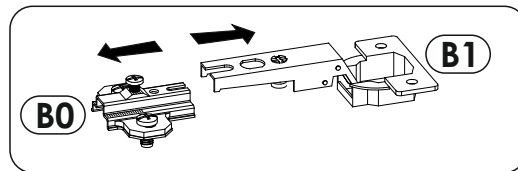
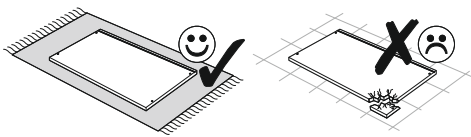
34 ▶



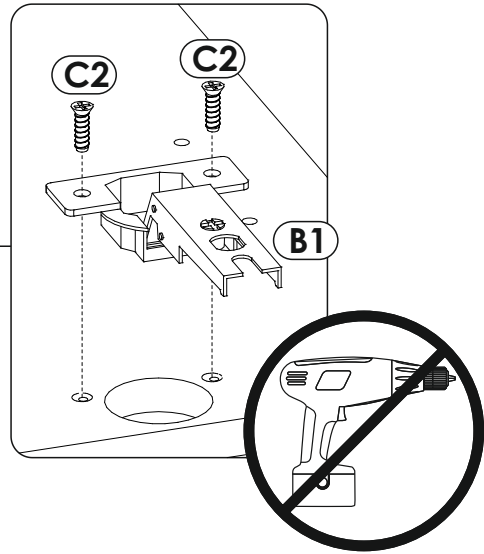
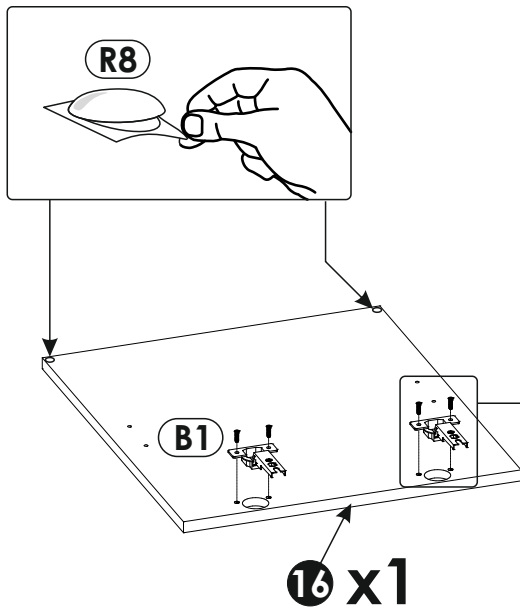
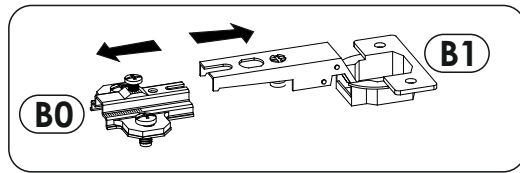
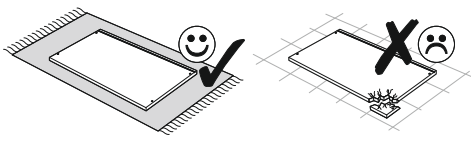
35 ▶



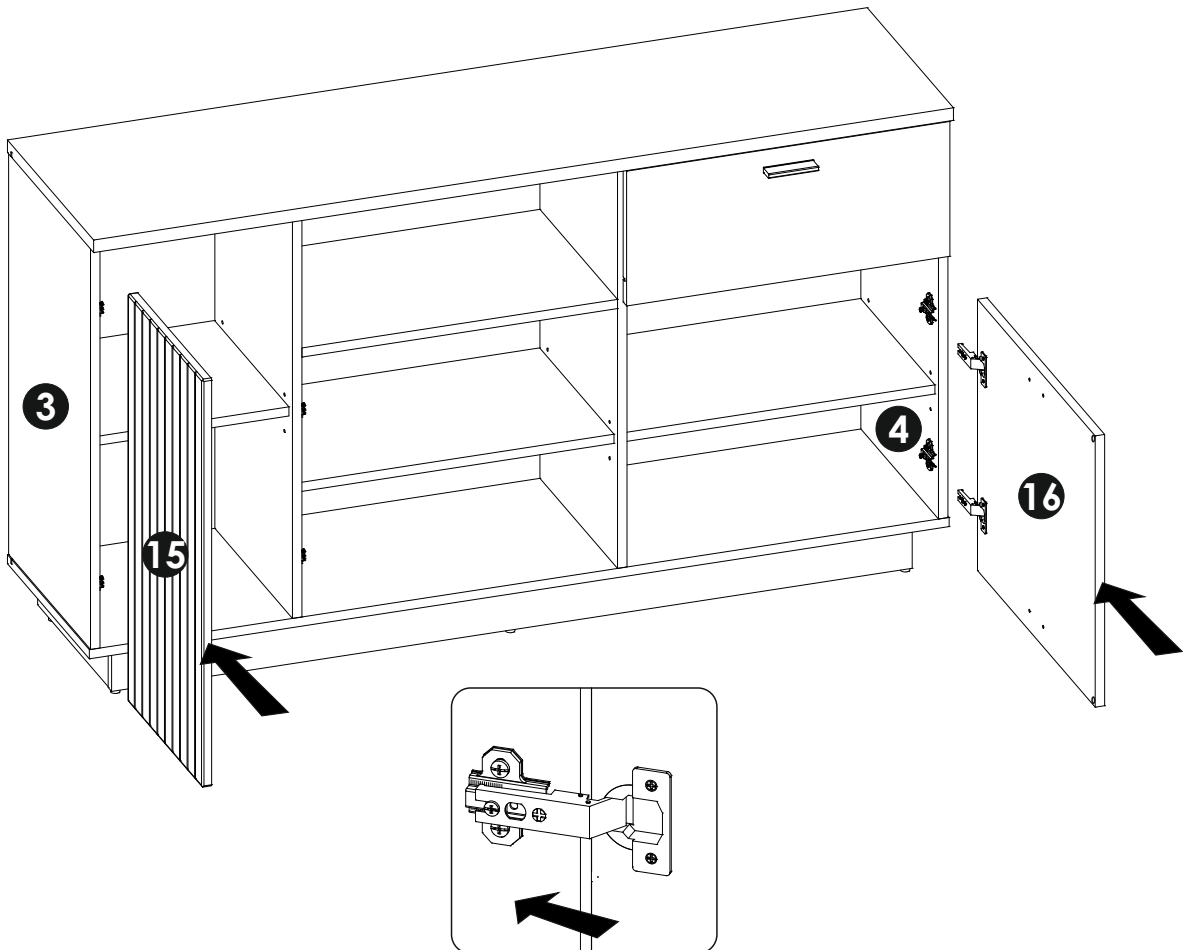
36 ▶



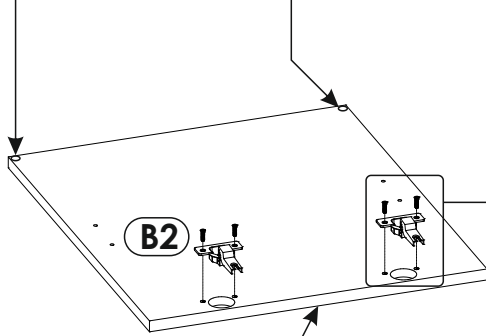
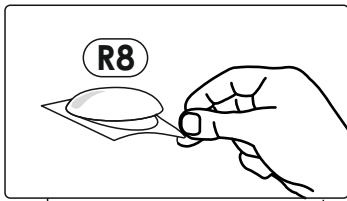
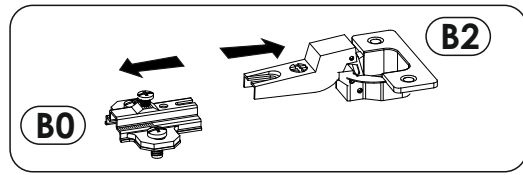
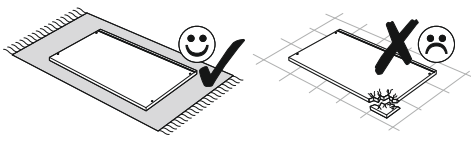
37▶



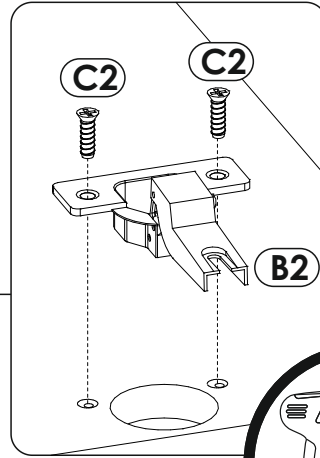
38▶



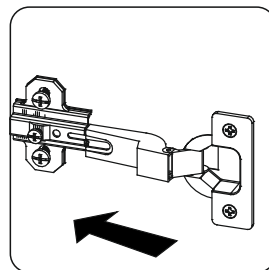
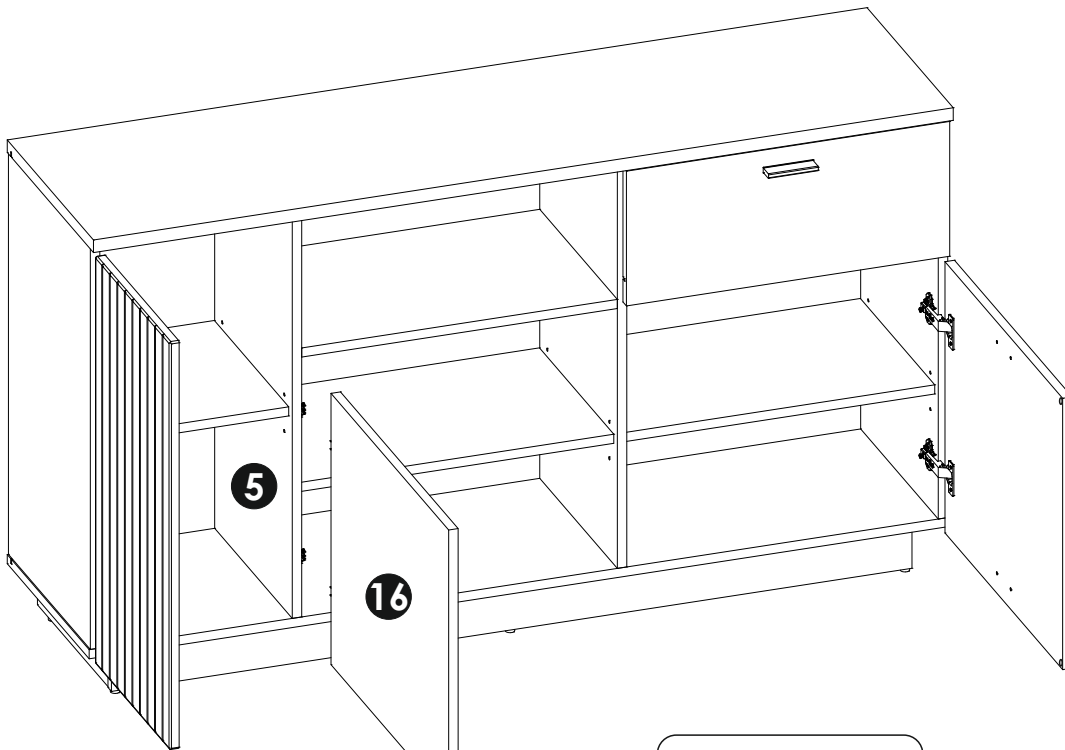
39 ▶



16 x 1



40 ▶



41 ▶

