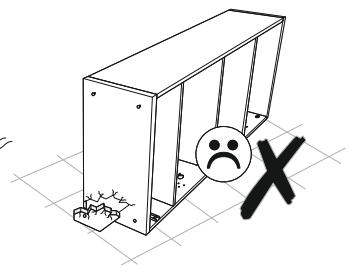
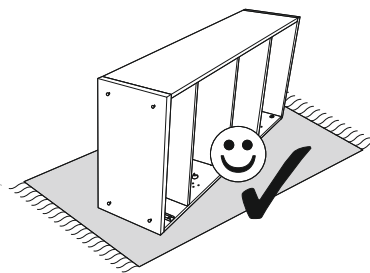
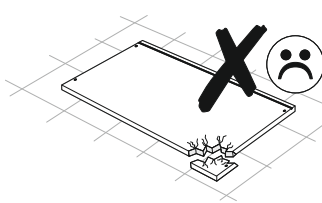
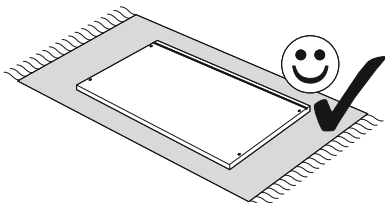
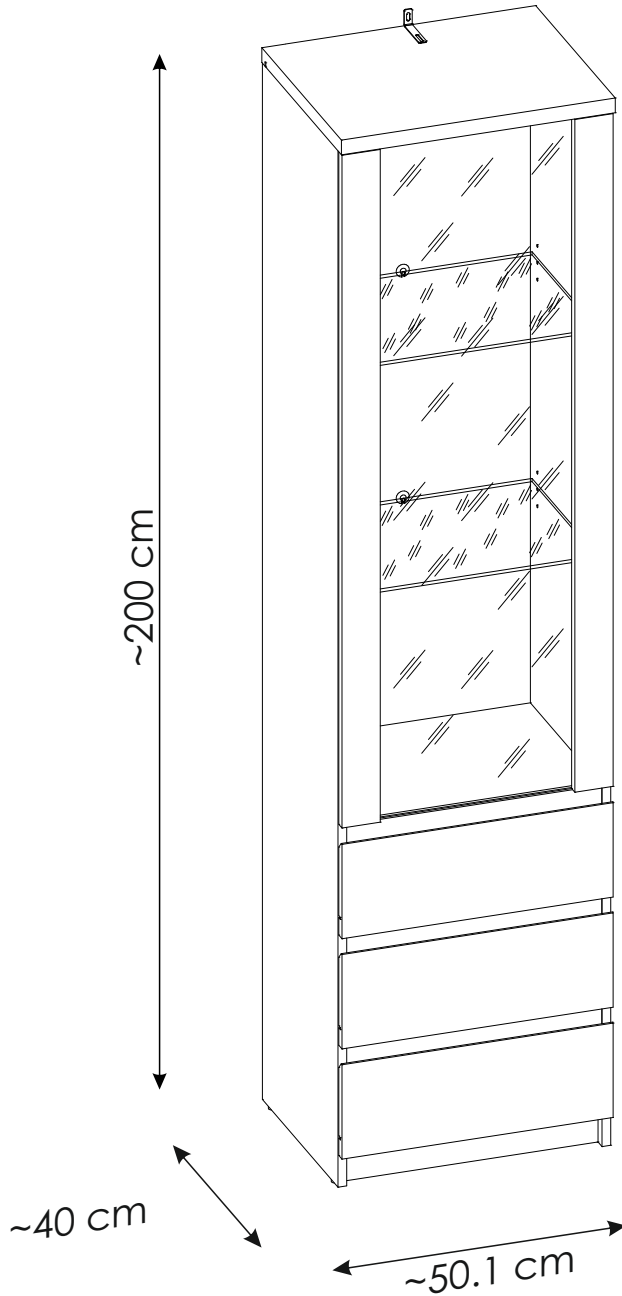
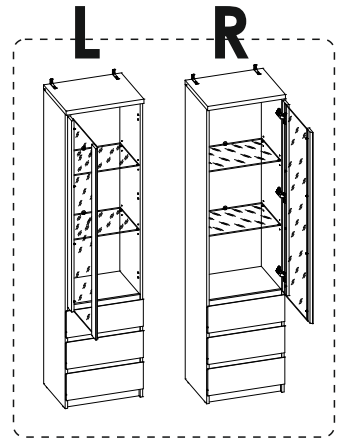
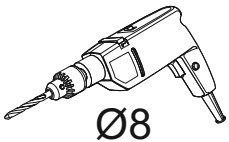
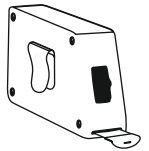
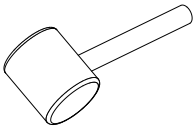
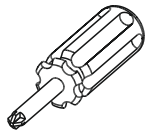
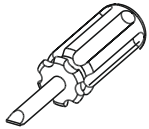
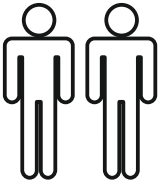
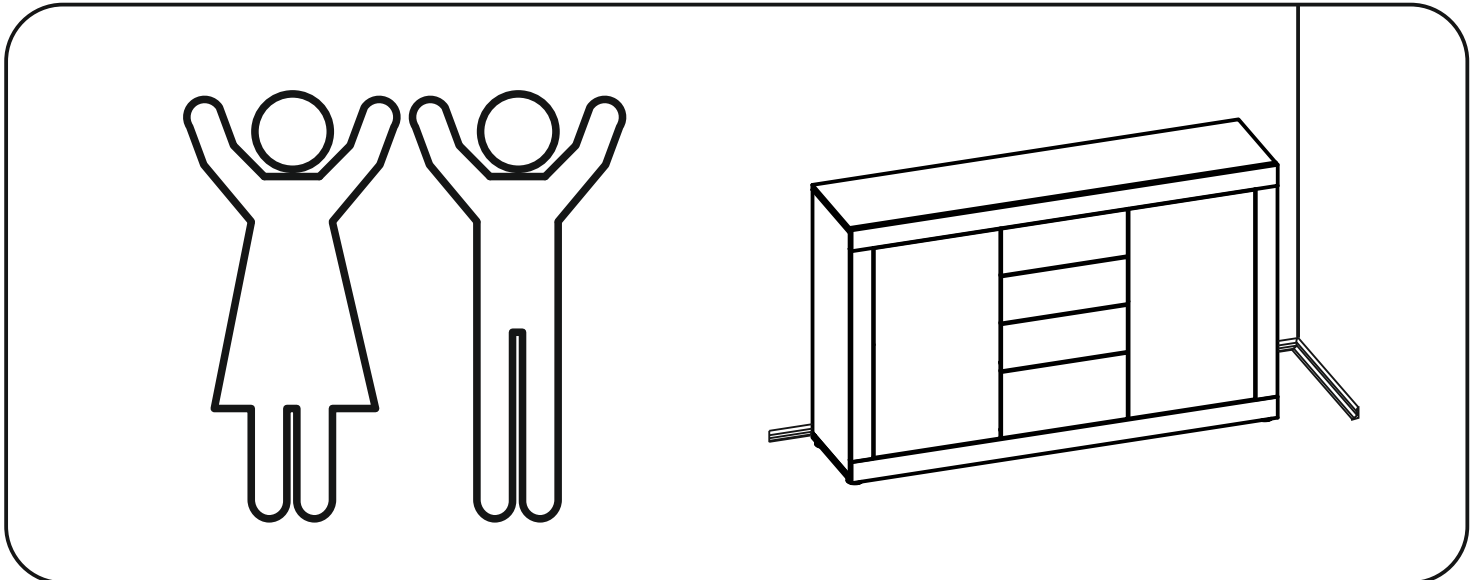
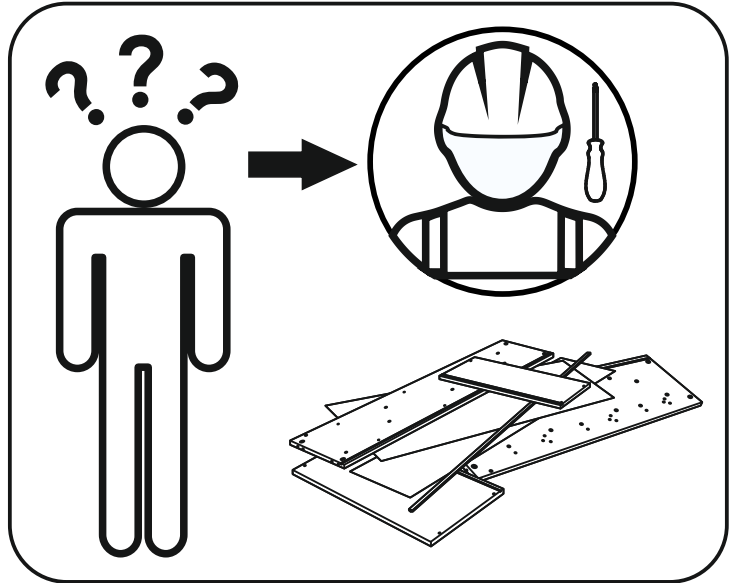
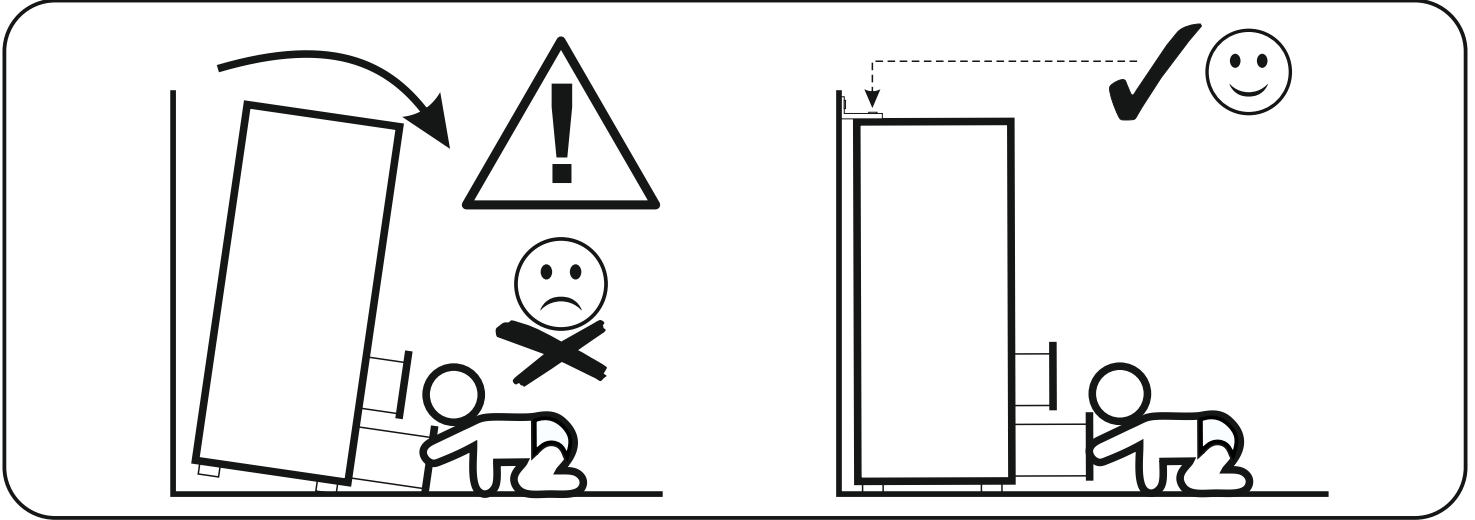


FRIV01



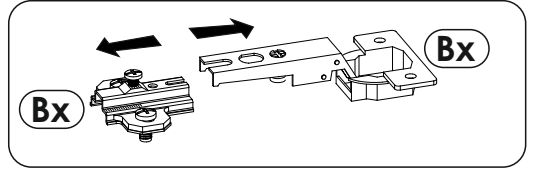
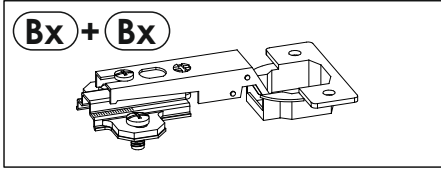
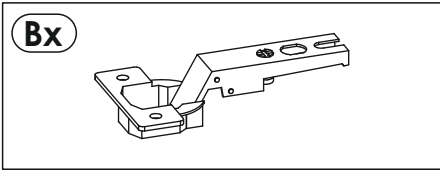
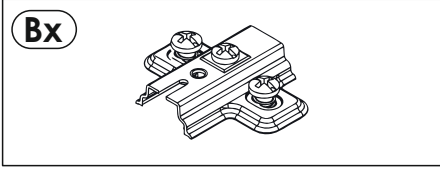




A

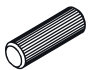
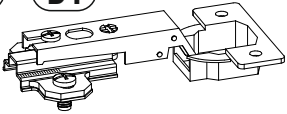


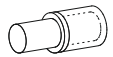


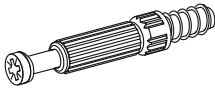
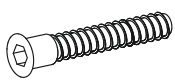


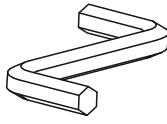
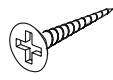
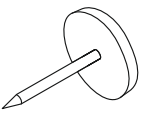
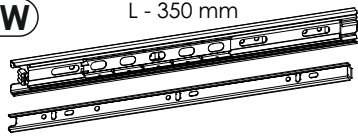
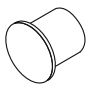

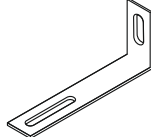
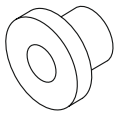
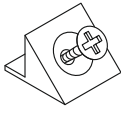
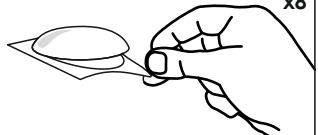
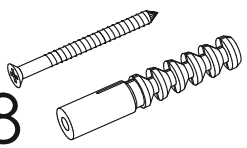
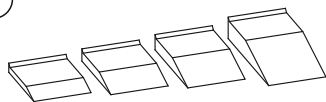


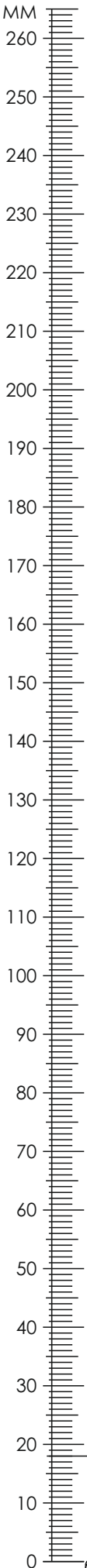
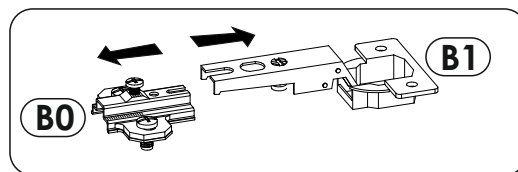
B



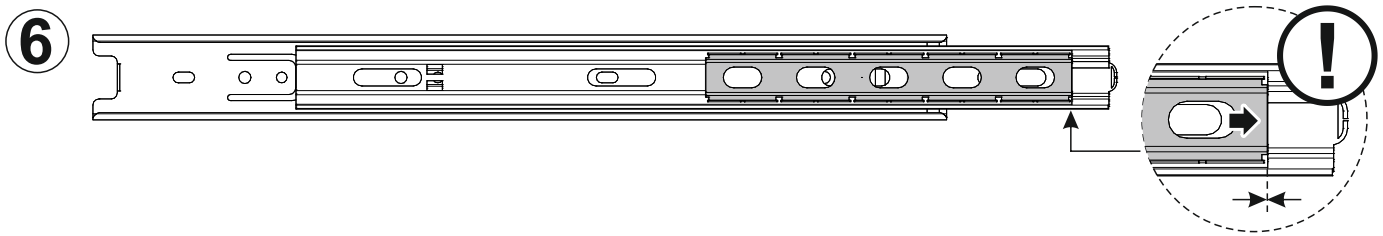
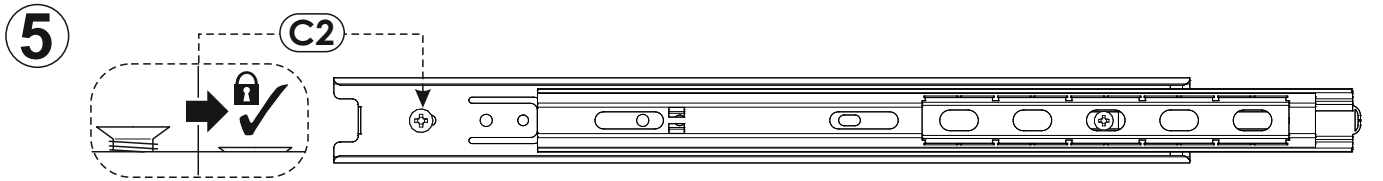
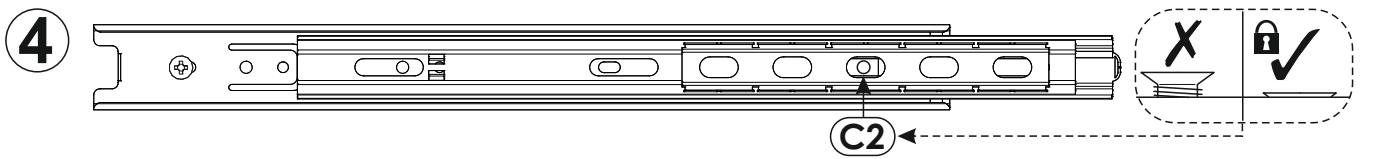
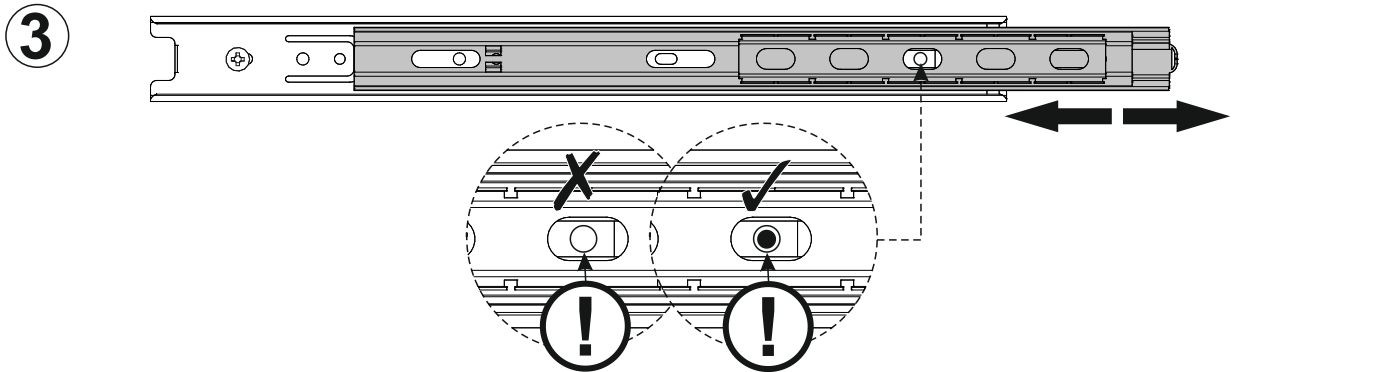
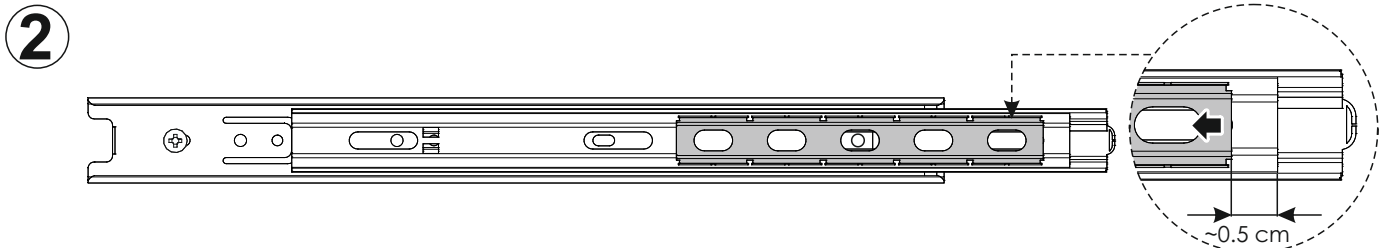
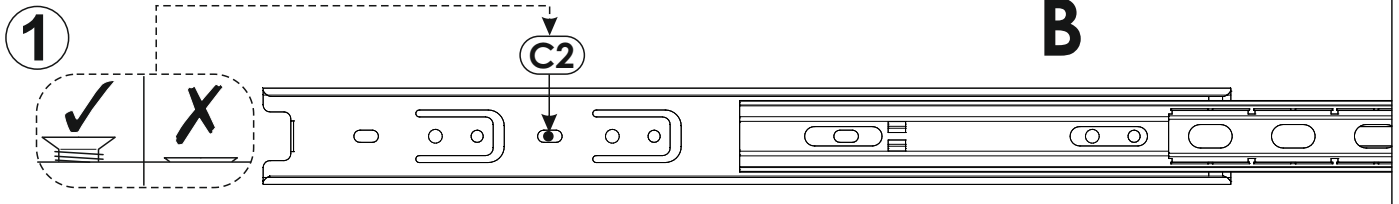
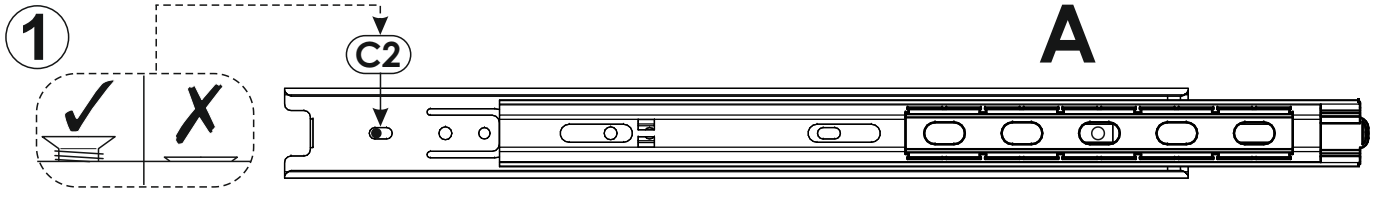
FRIV01

MM

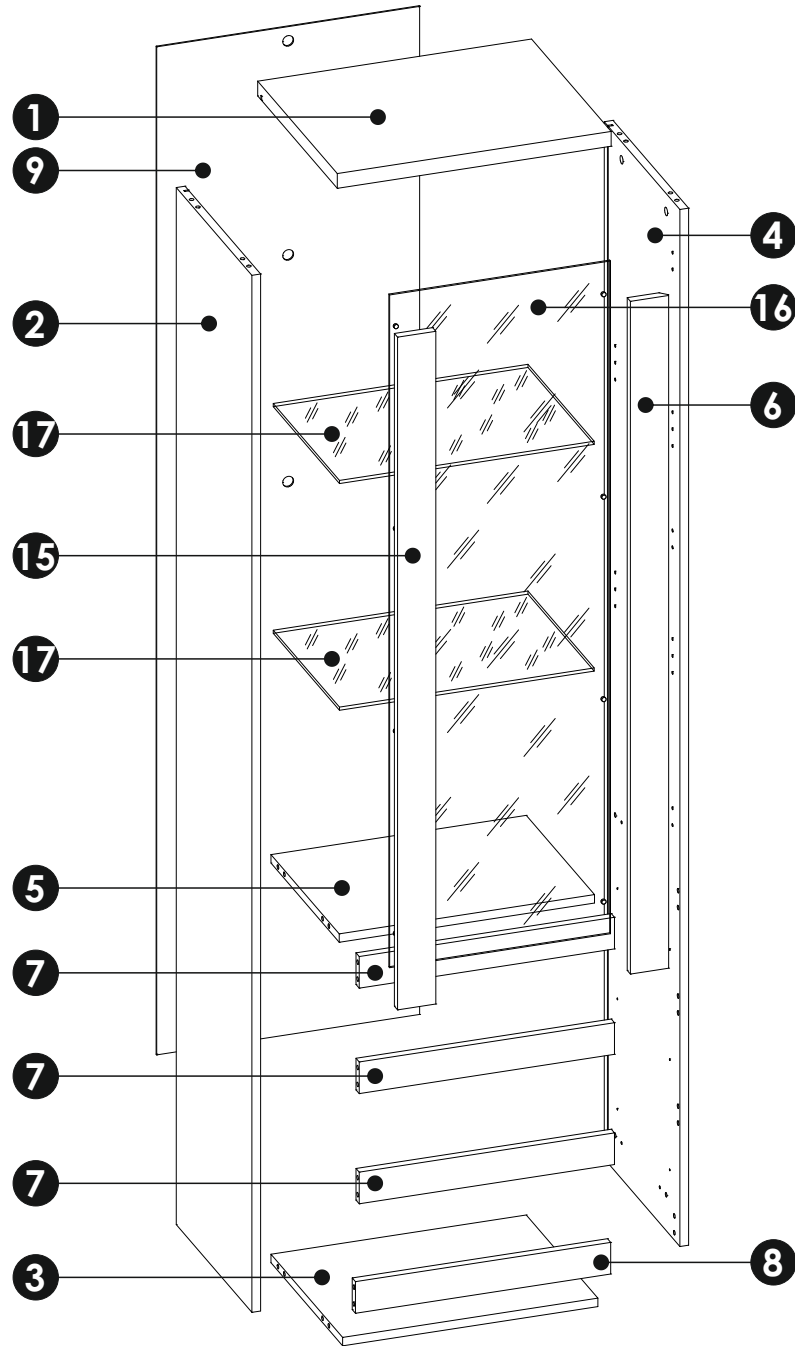
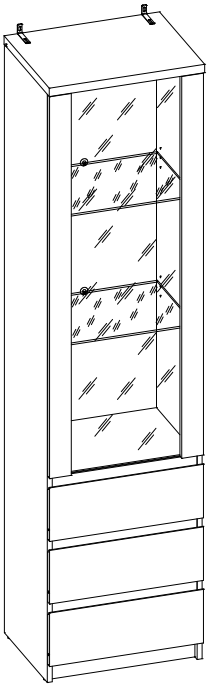
A1 8 x 35 mm x52 	B0 + B1 x3 	C1 4 x 13 mm x6 
C2 5 x 13 mm x12 	D2 x8 	E0 x10 
E1 15 x 12 mm x18 	F1 6 x 34 mm x18 	G1 7 x 50 mm x6 
I2 4 x 16 mm x9 	J4 3,5 x 16 mm x18 	M x1 
N1 3 X 16 mm x20 	O2 x4 	PW L - 350 mm x6 
P0 x6 	P15 x3 	Q9 x1 
R3 x8 	R4 x14 	R8 x8 
S13 x1 Ø8 	Z x1 	



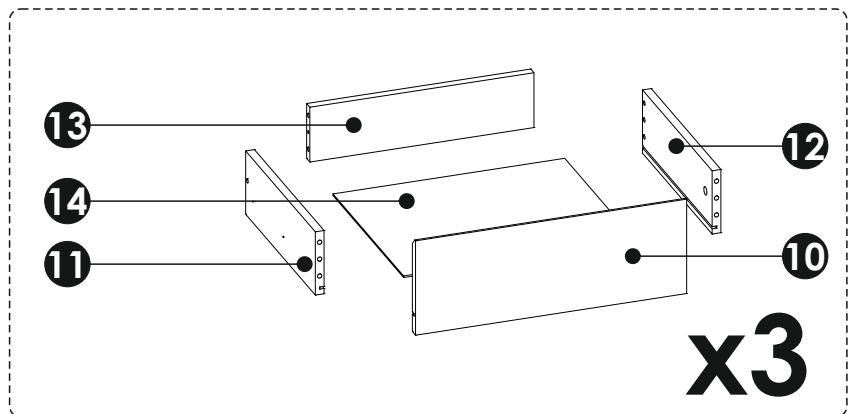
FRIV01

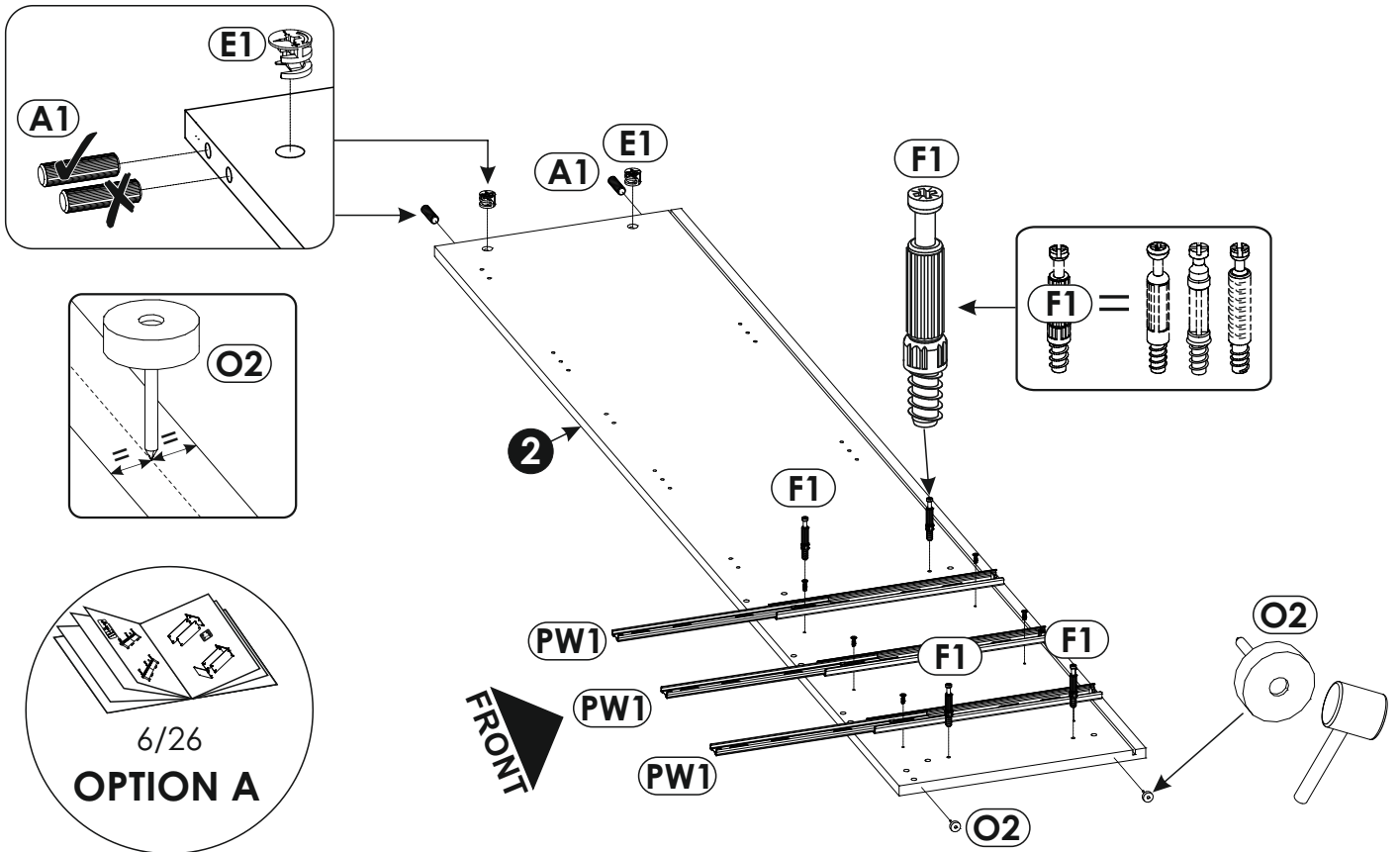
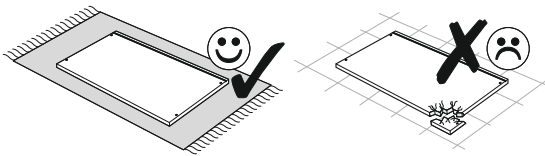
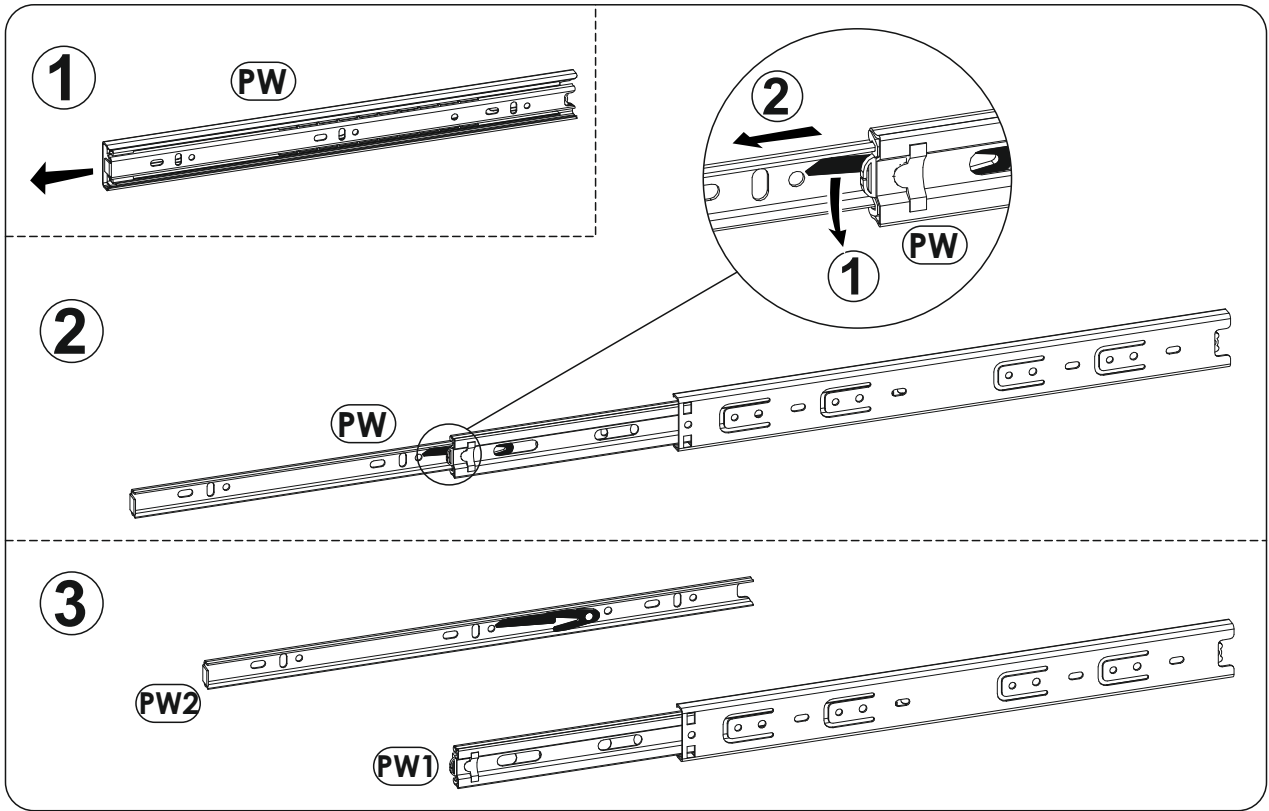


FRIV01

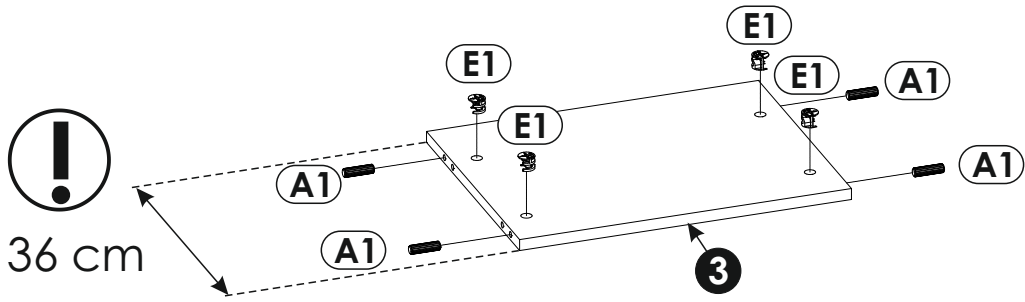
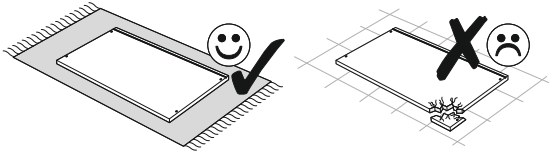


1	501	400	28	x1	1/2
2	1967	380	16	x1	2/2
3	467	360	16	x1	1/2
4	1967	380	16	x1	2/2
5	467	343	16	x1	1/2
6	1276	70	16	x1	2/2
7	467	60	16	x3	1/2
8	467	60	16	x1	1/2
9	1912	481	3	x1	2/2
10	496	179	16	x3	1/2
11	350	120	16	x3	1/2
12	350	120	16	x3	1/2
13	410	104	16	x3	1/2
14	424	355	3	x3	1/2
15	1276	70	16	x1	2/2
16	1276	416	4	x1	2/2
17	466	333	6	x2	1/2

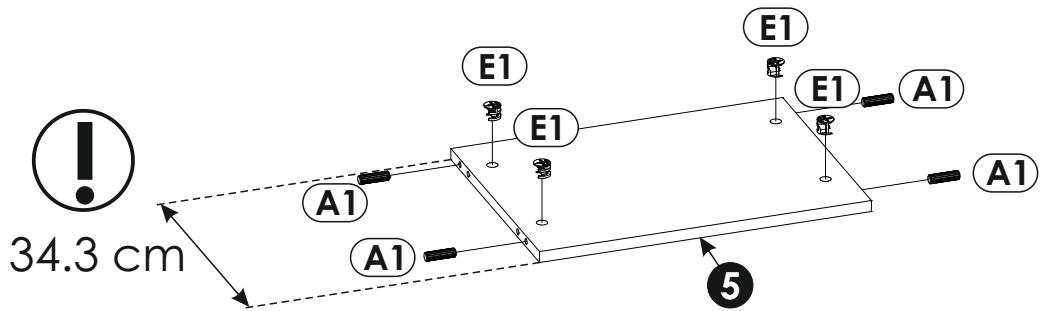
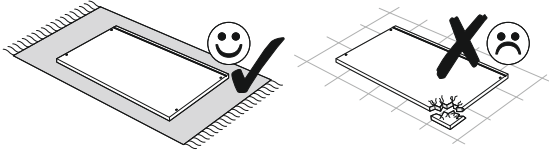


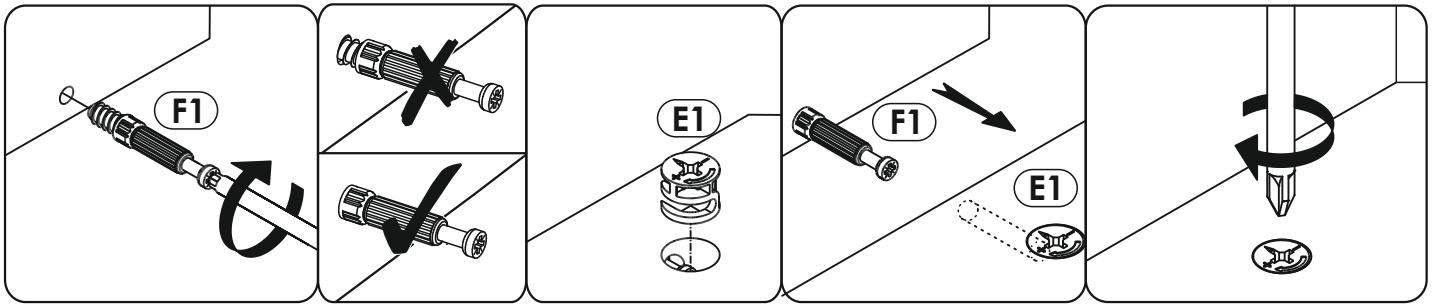


2 ▶

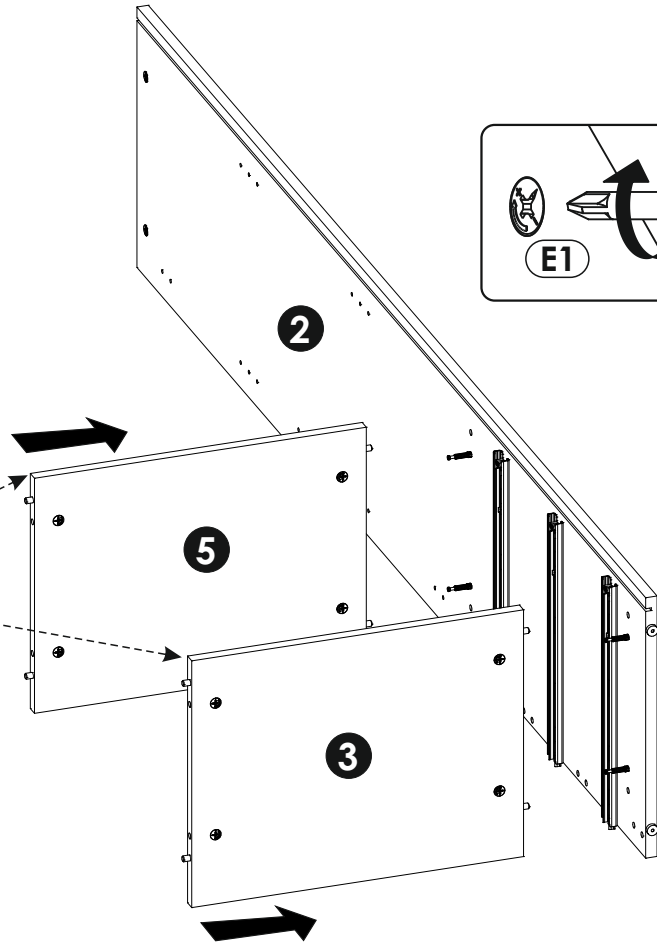
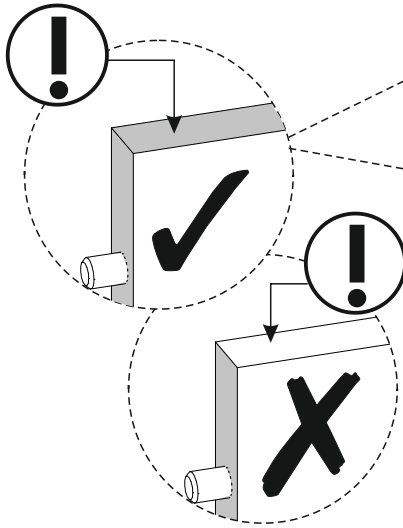
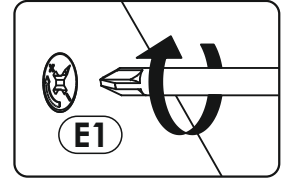
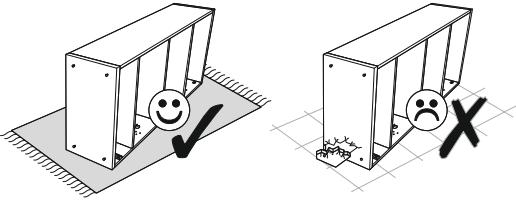


3 ▶

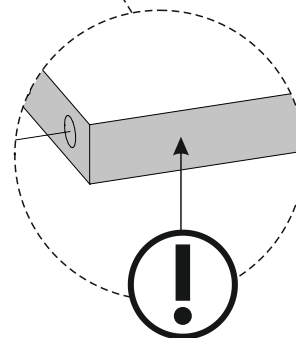
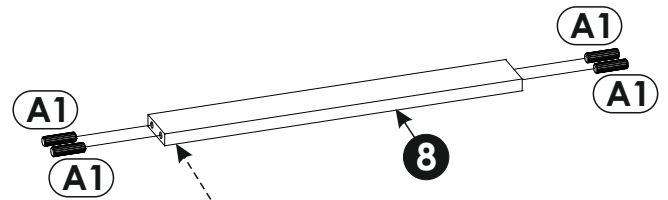
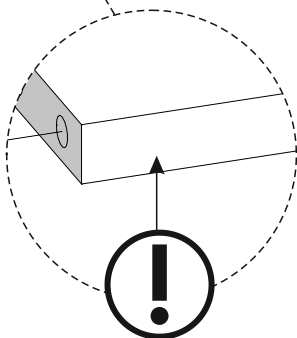
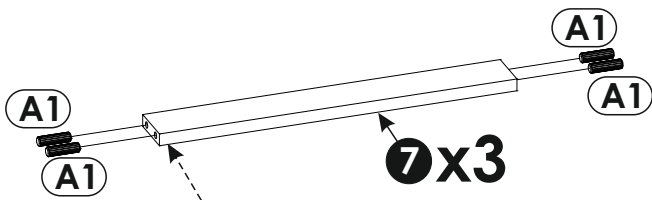
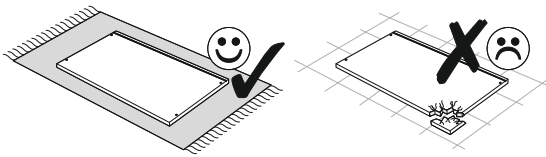




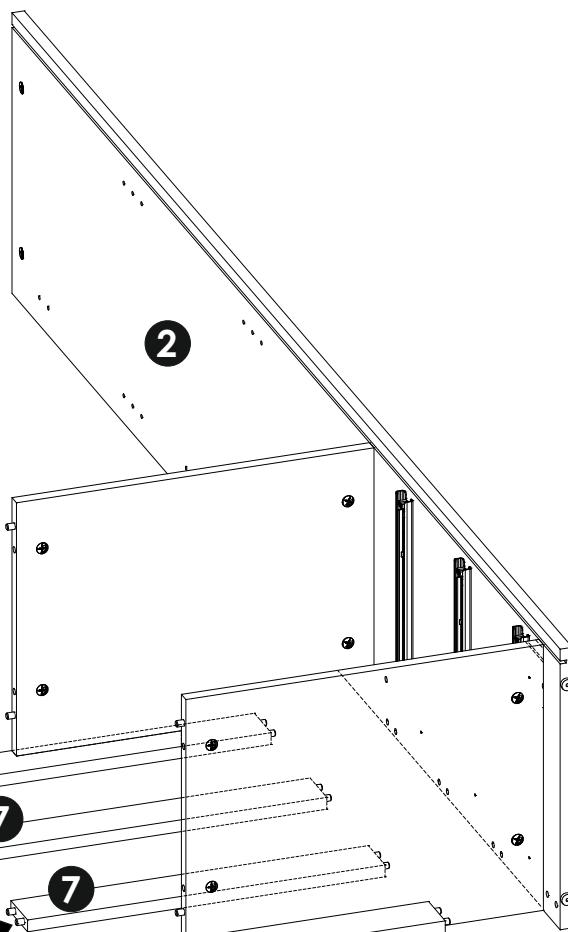
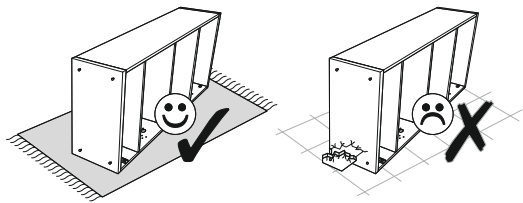
4 ▶



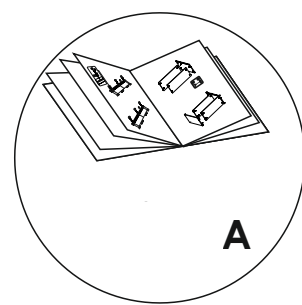
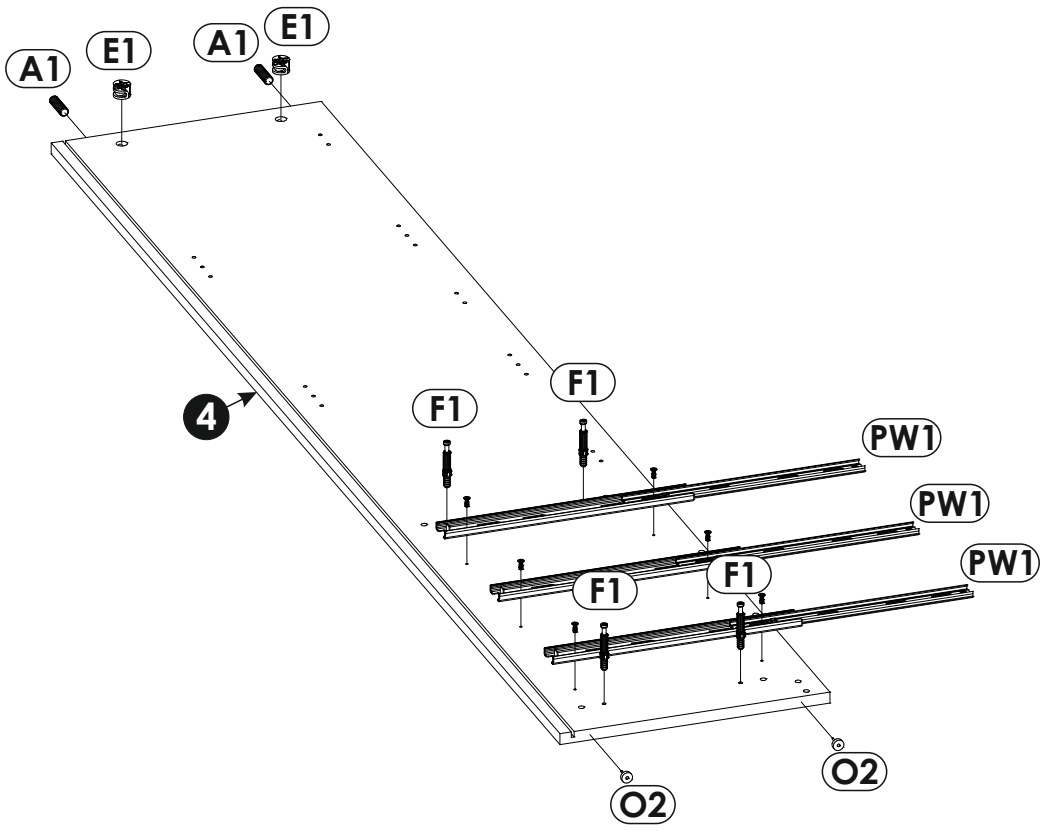
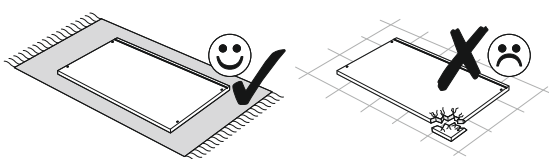
5 ▶



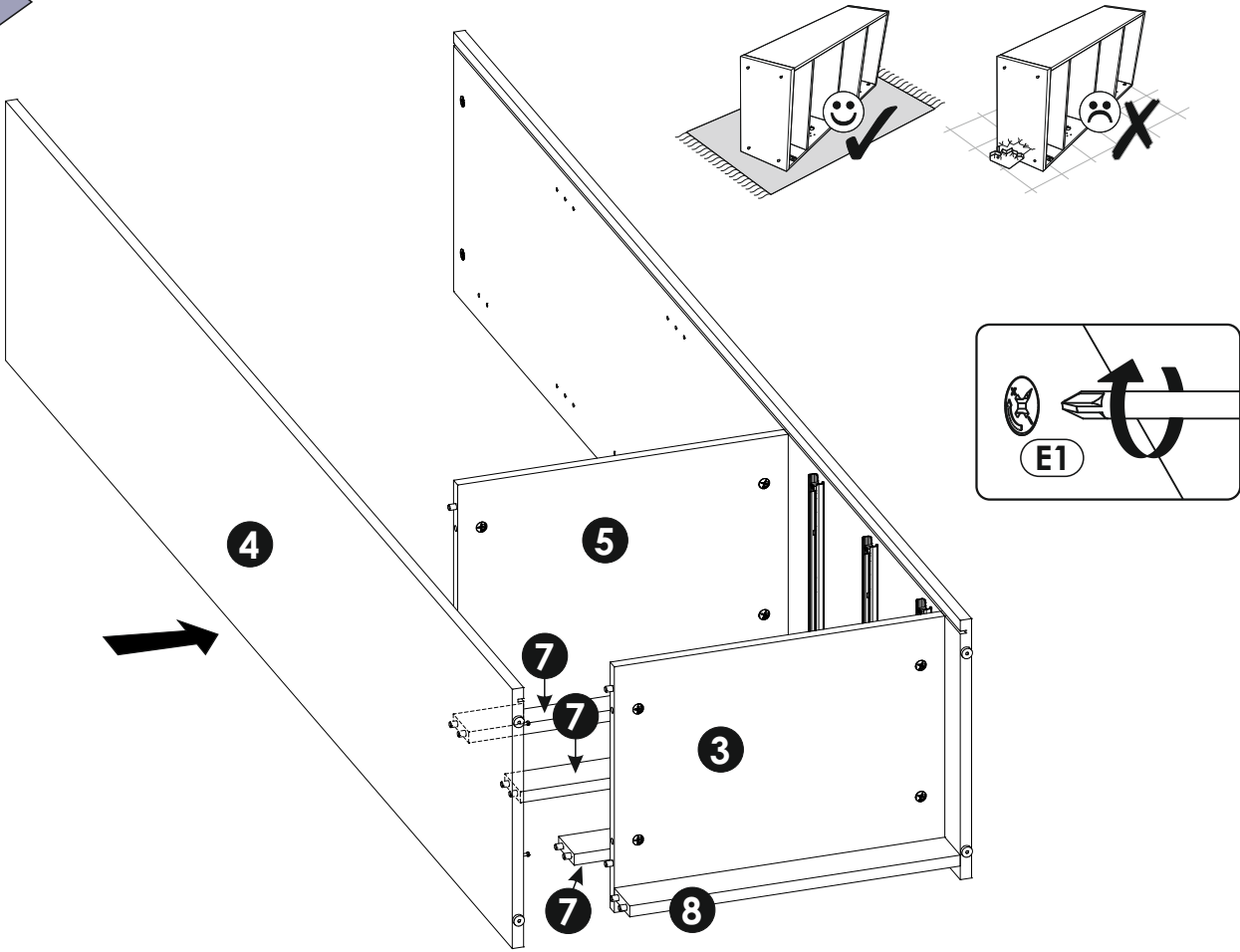
6 ▶



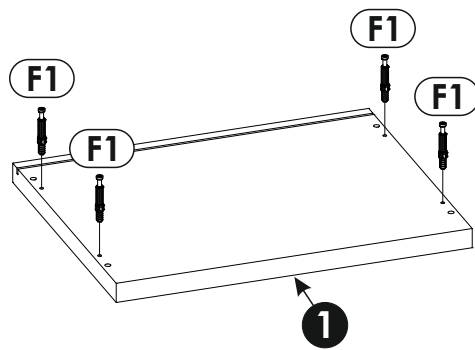
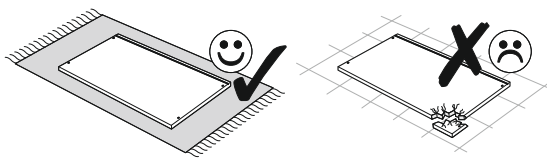
7 ▶



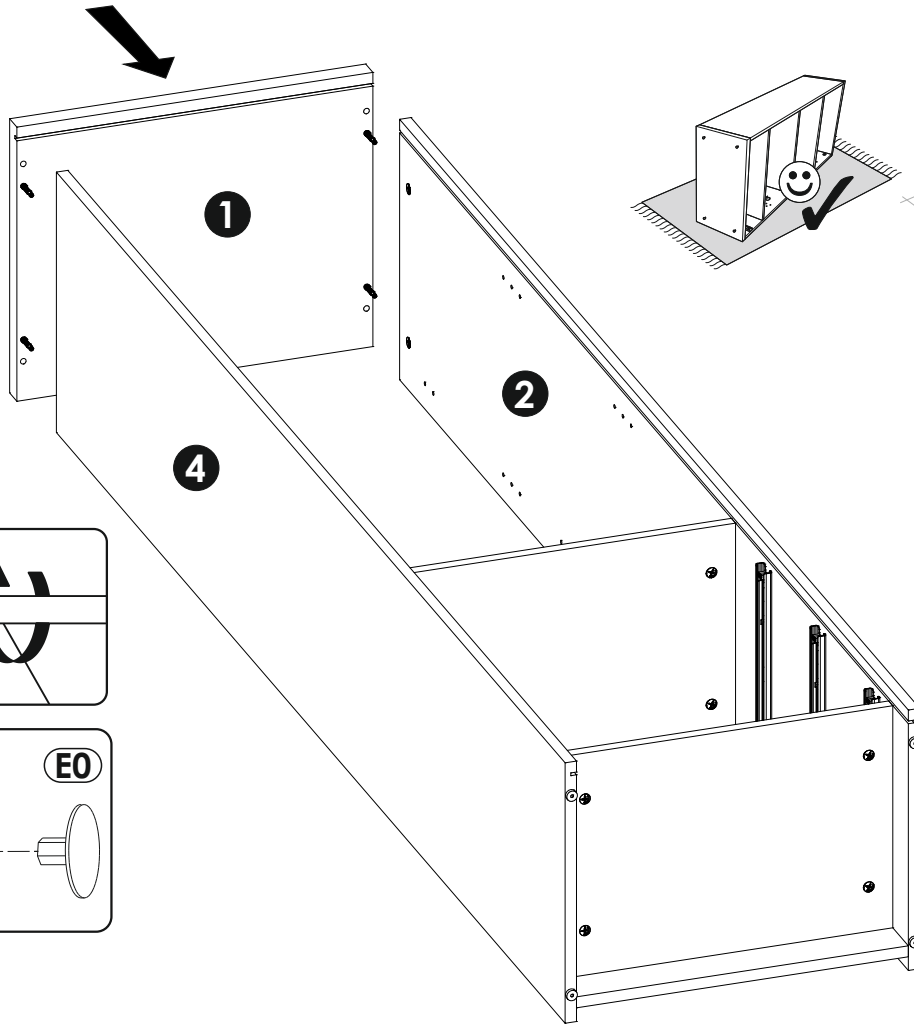
8 ▶



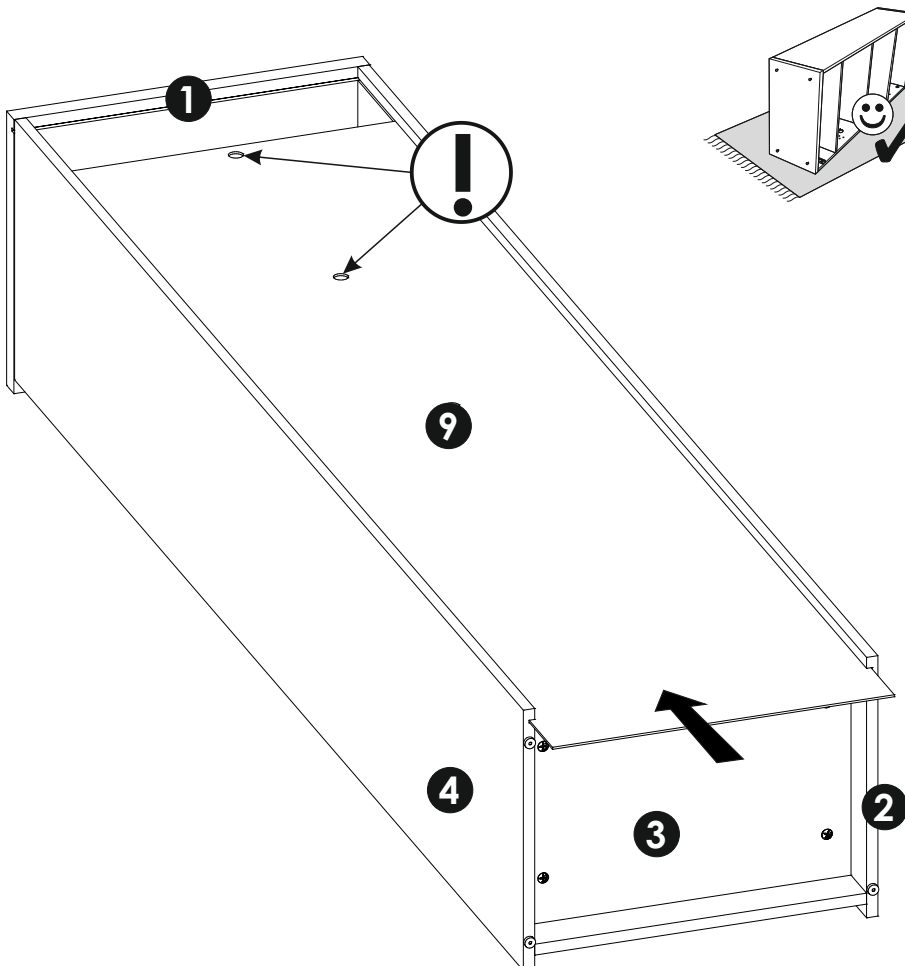
9 ▶



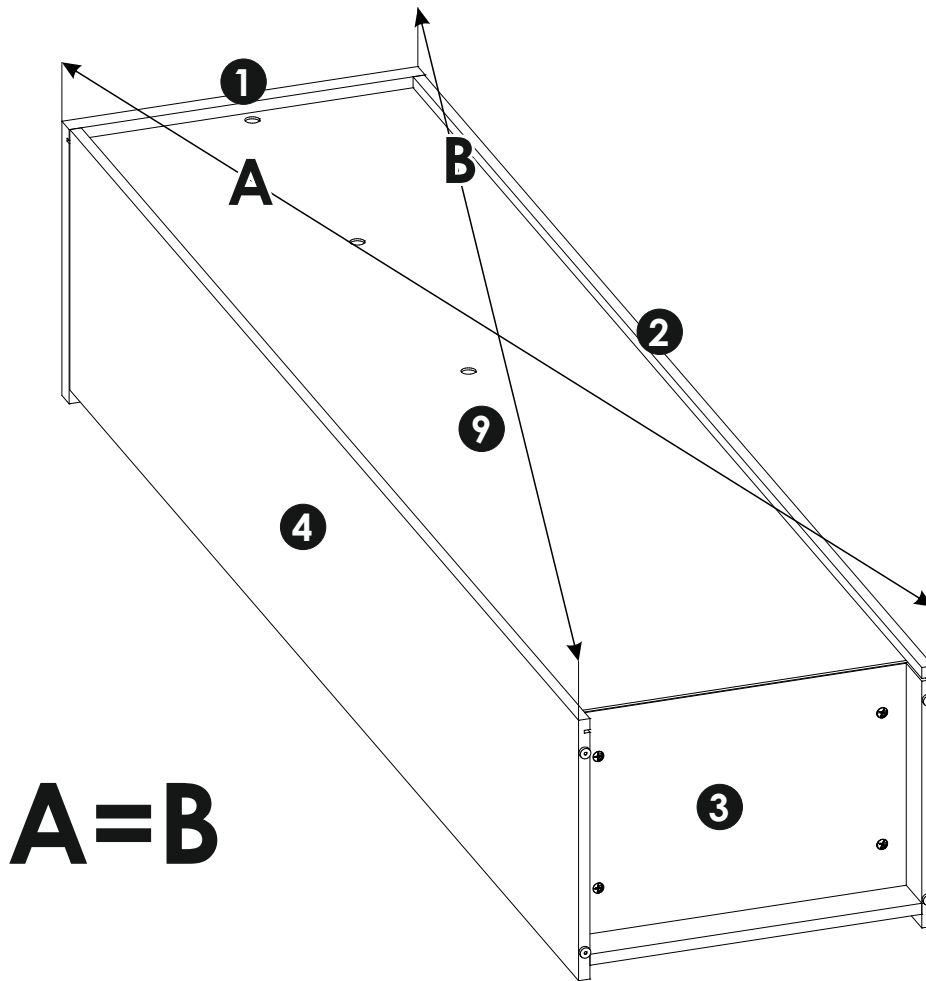
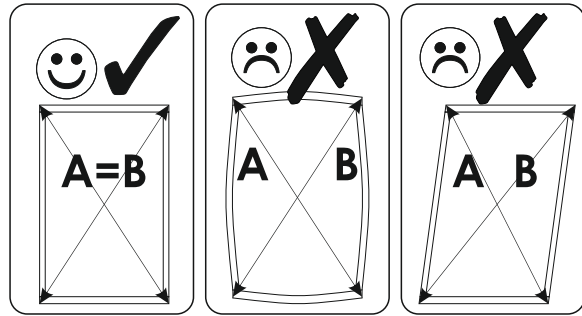
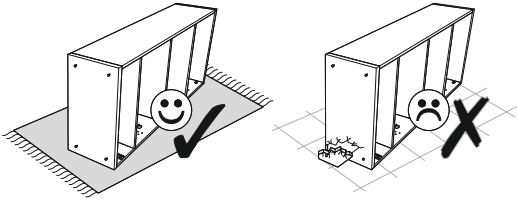
10 ▶

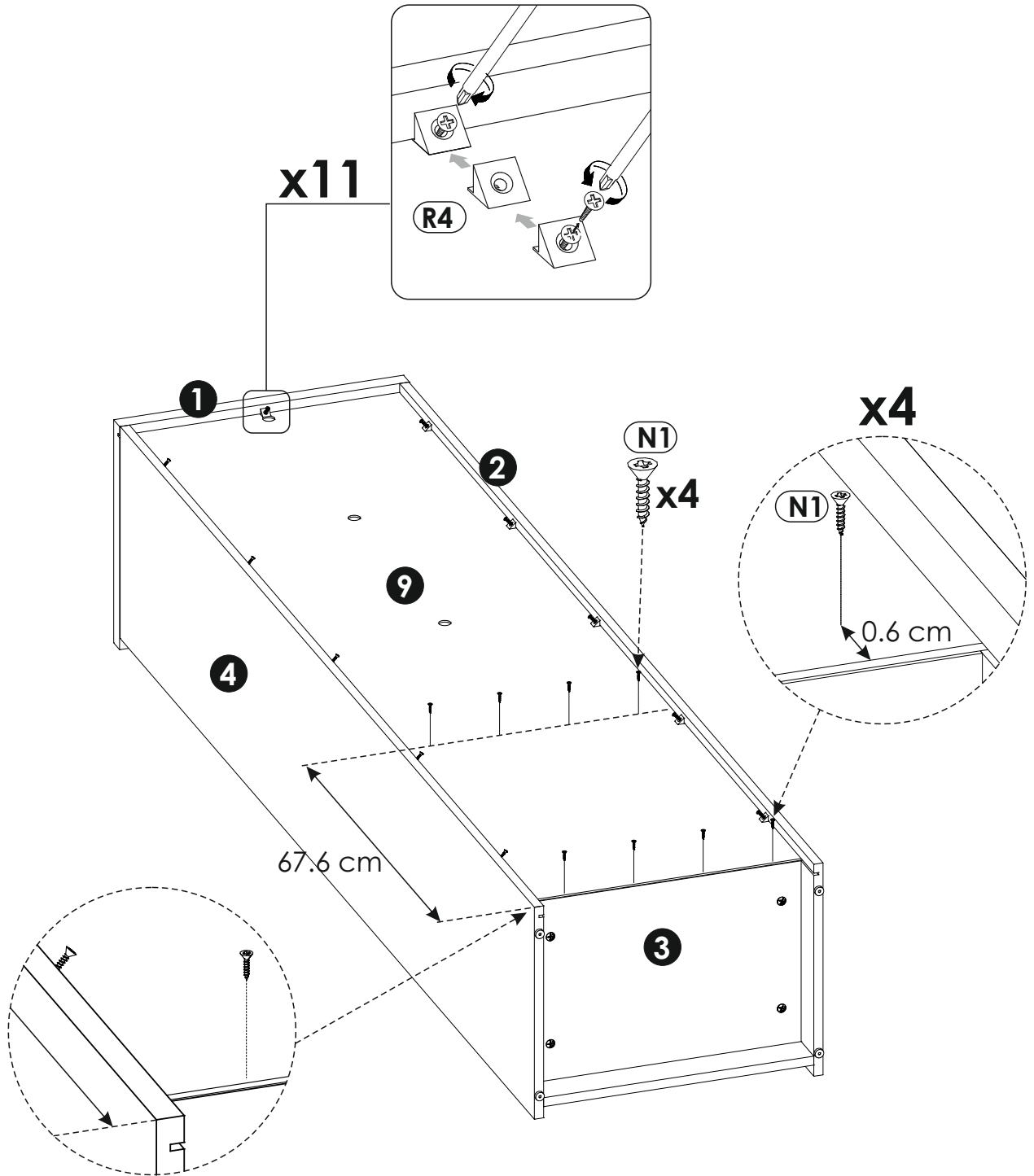


11 ▶

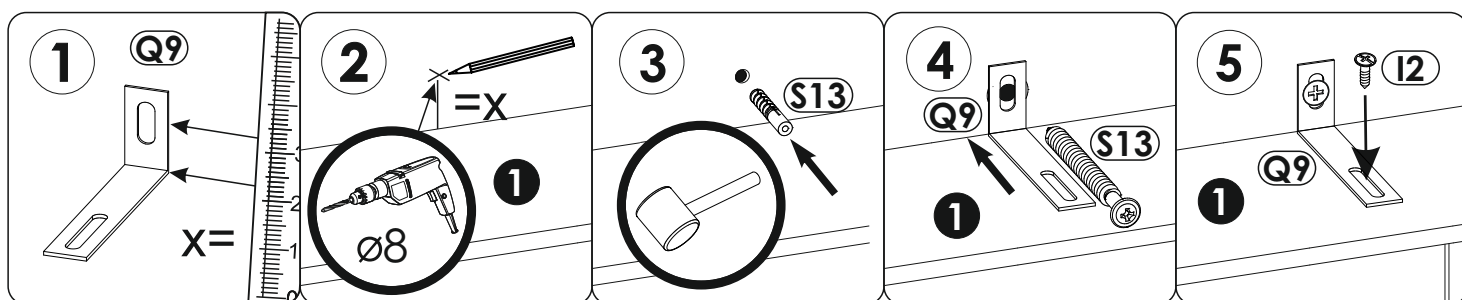
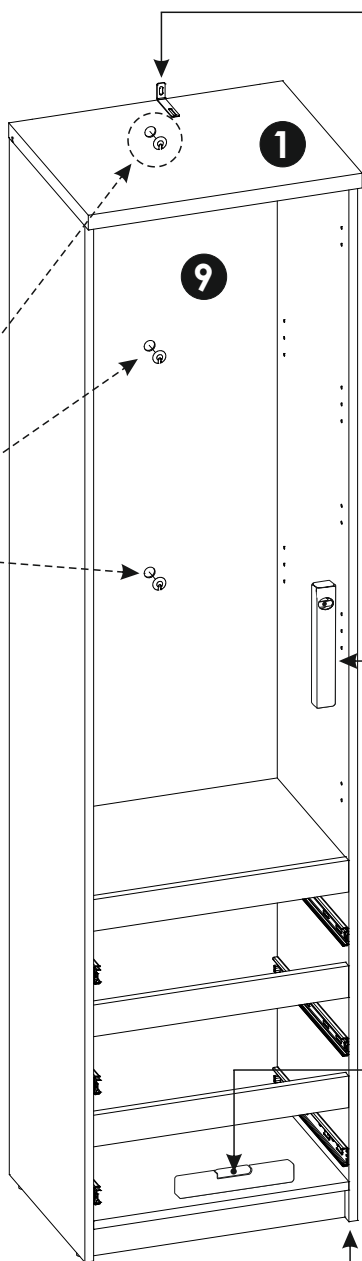
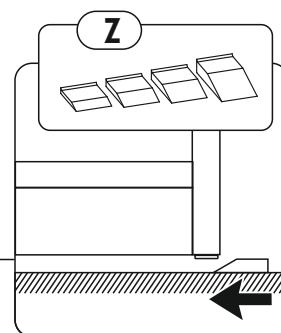
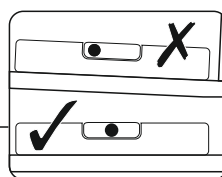
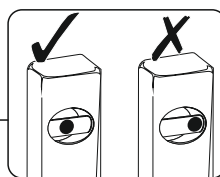
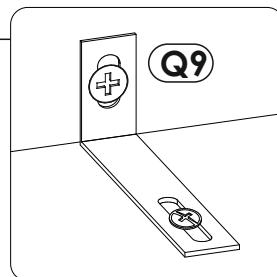
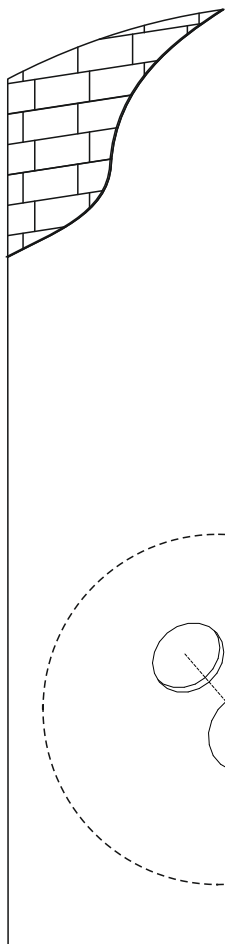
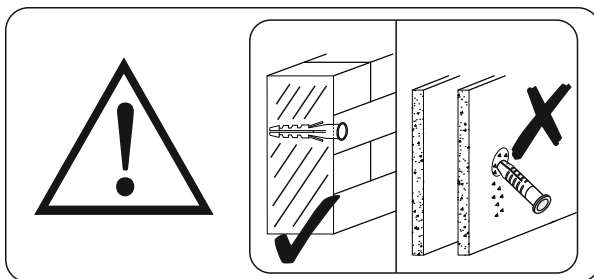


12▶

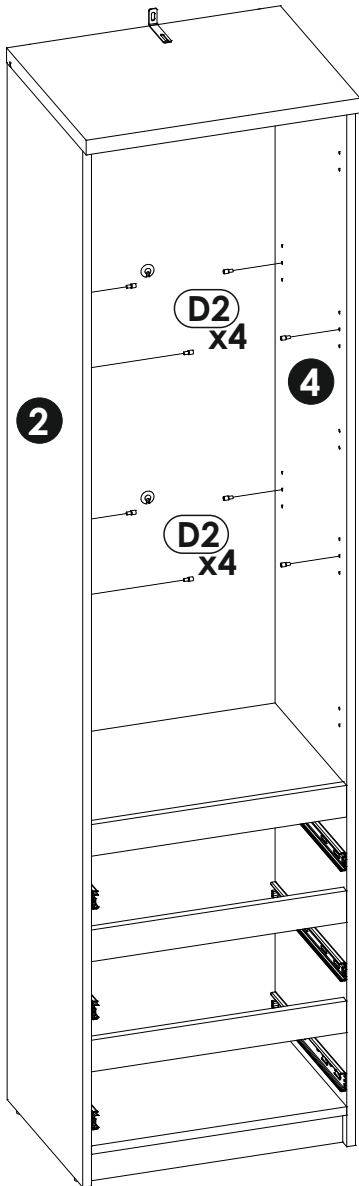




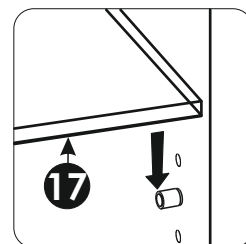
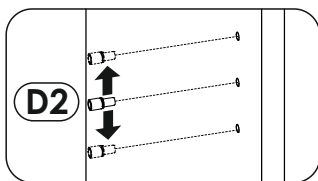
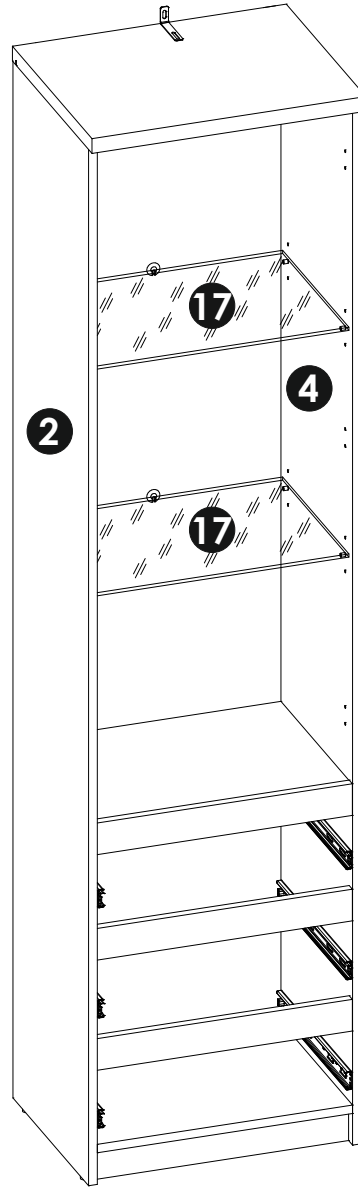
14 ▶



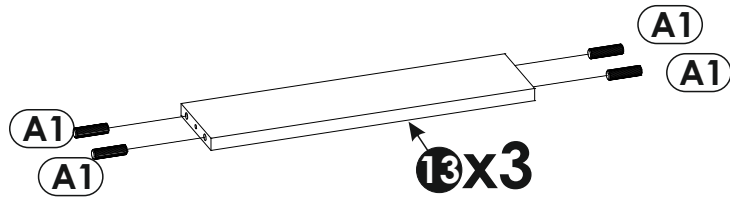
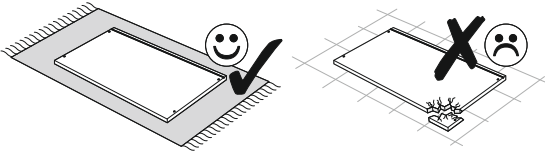
15▶



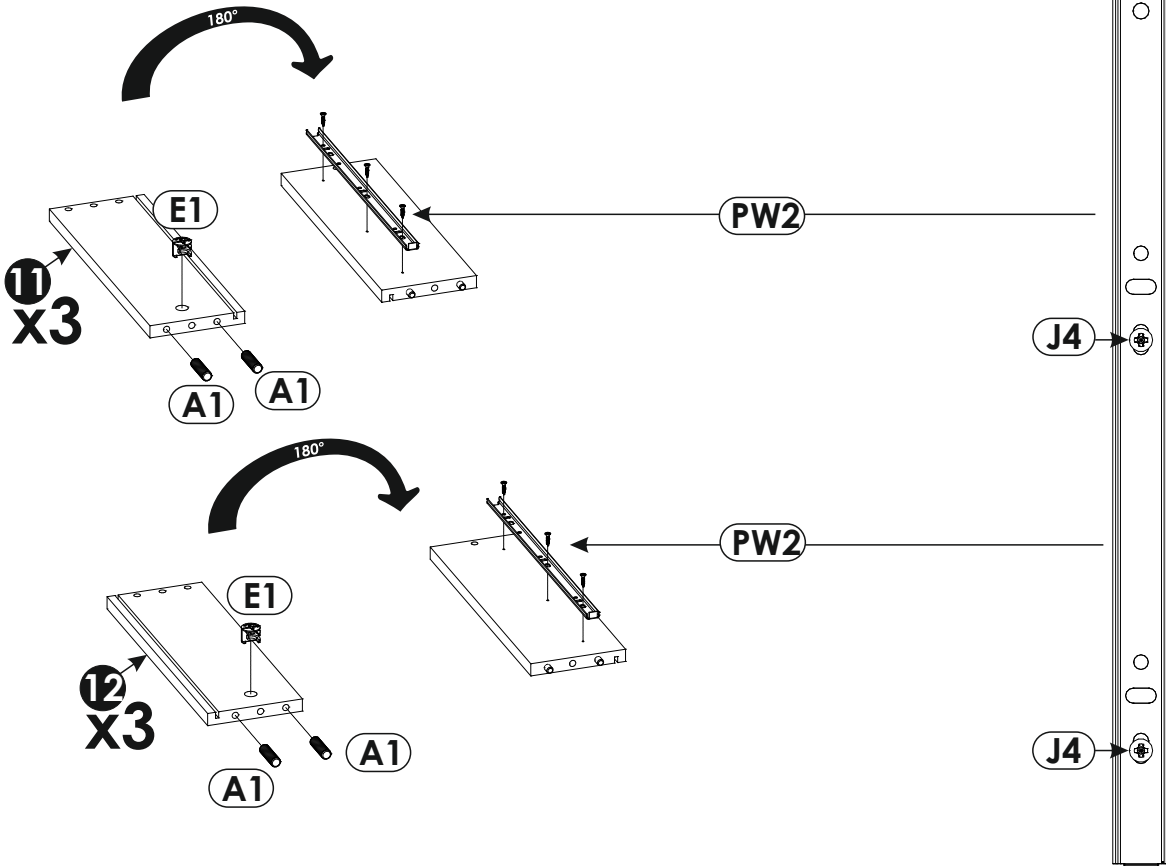
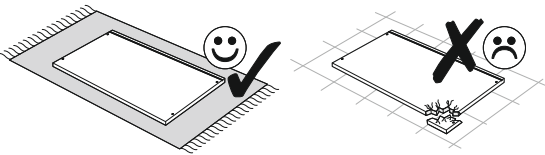
16▶



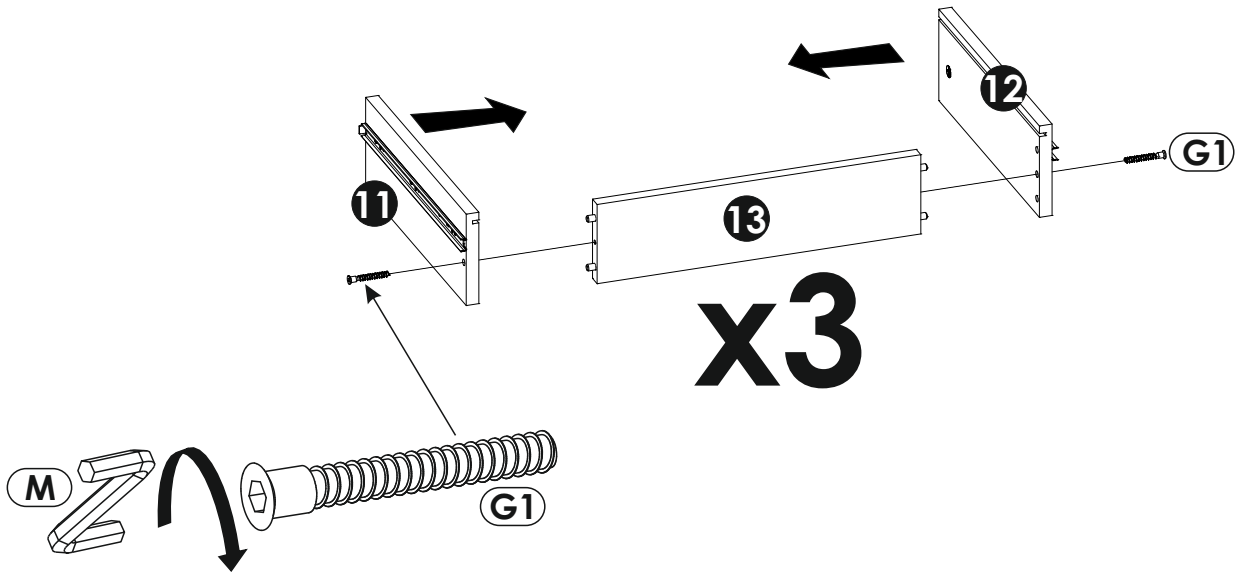
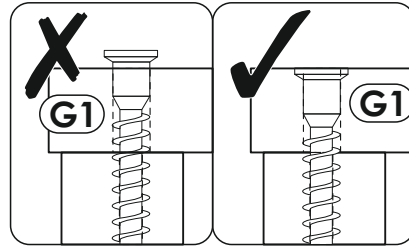
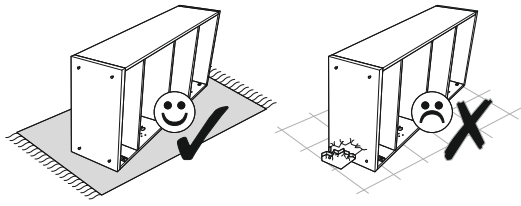
17▶



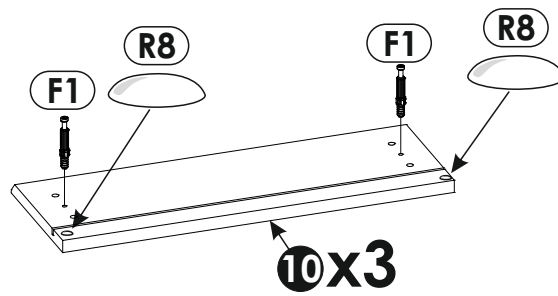
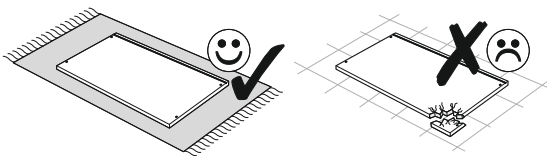
18▶



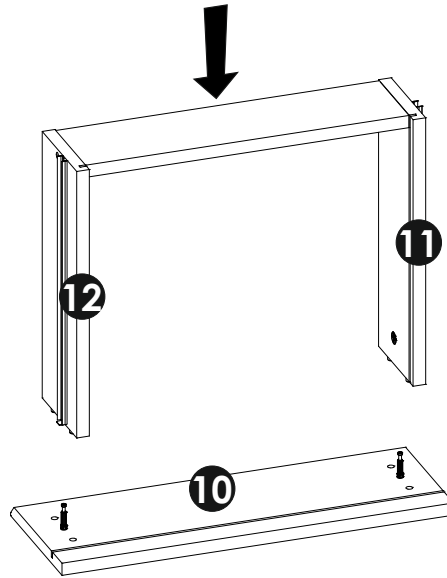
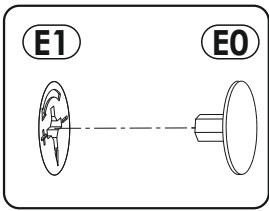
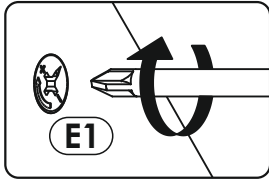
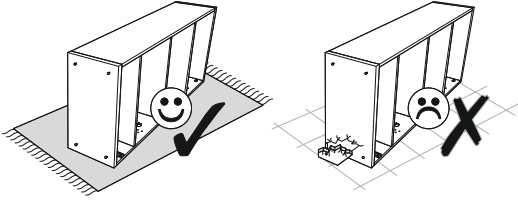
19▶



20▶

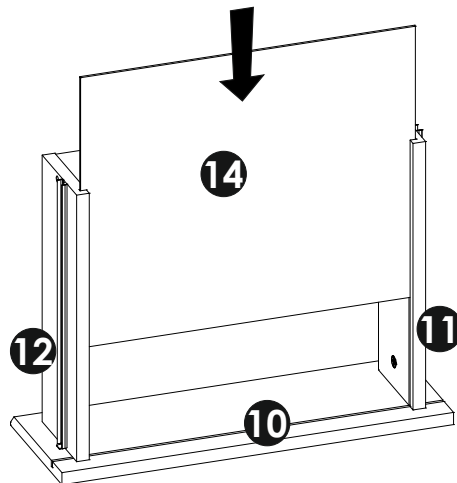
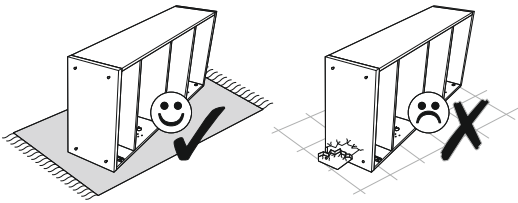


21 ▶

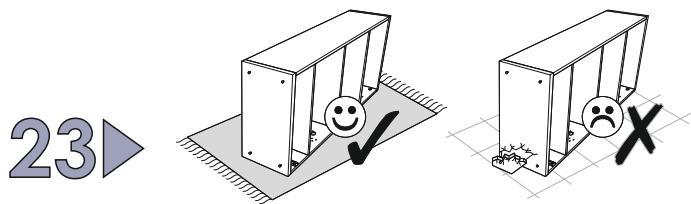


x3

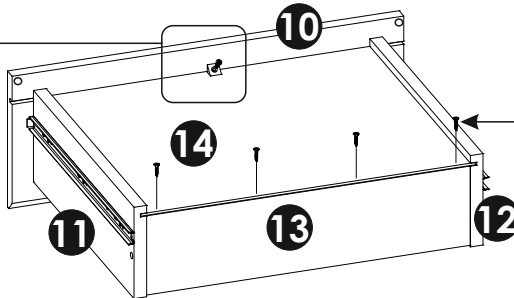
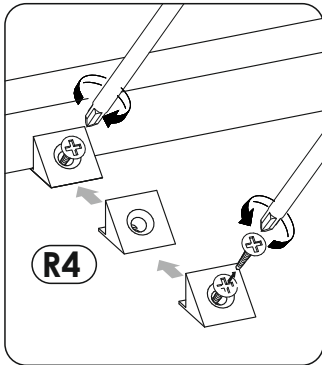
22 ▶



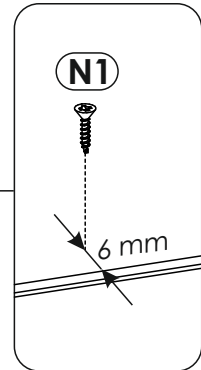
x3



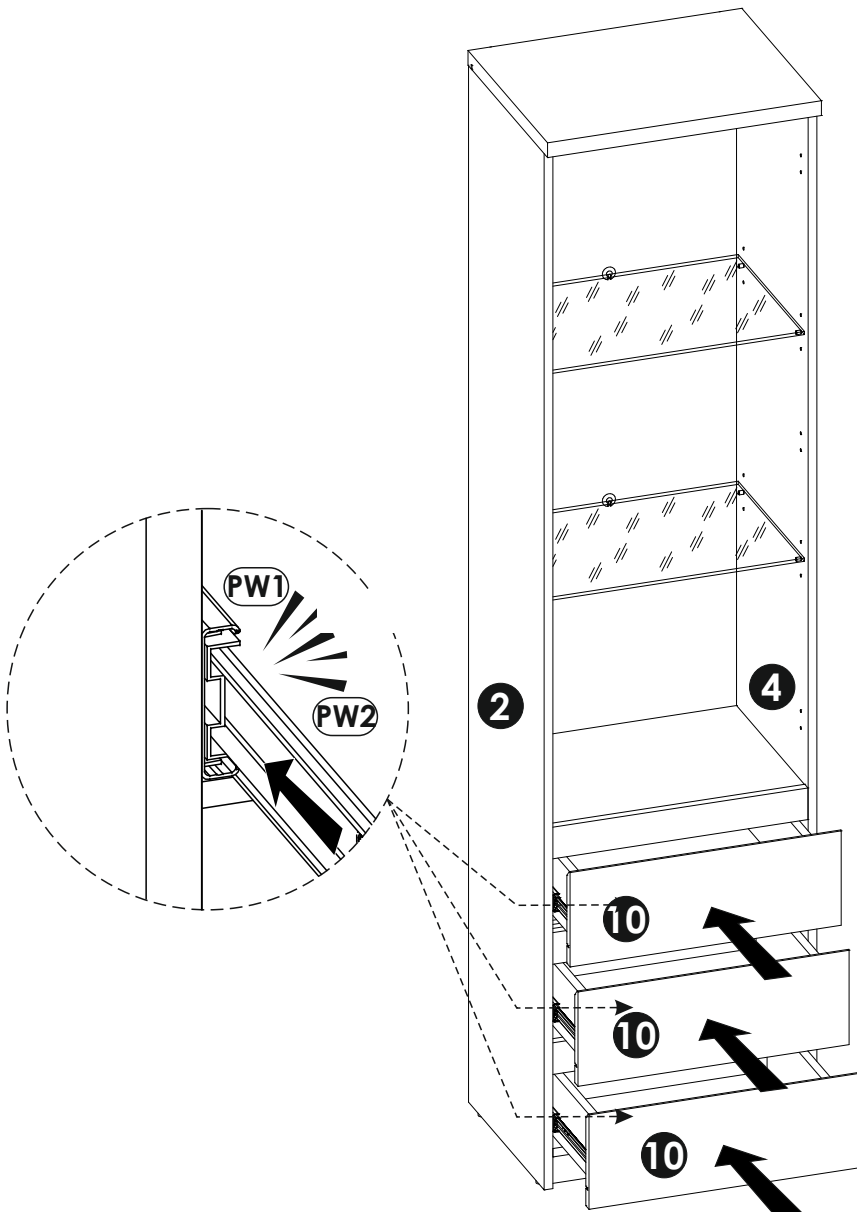
x3



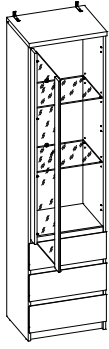
x4



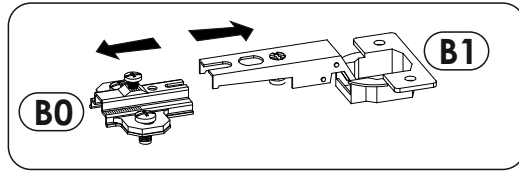
24 ▶



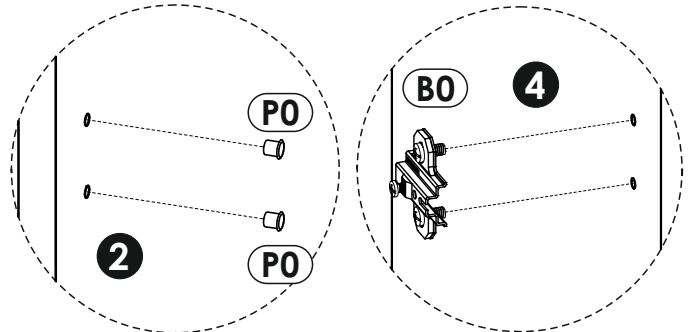
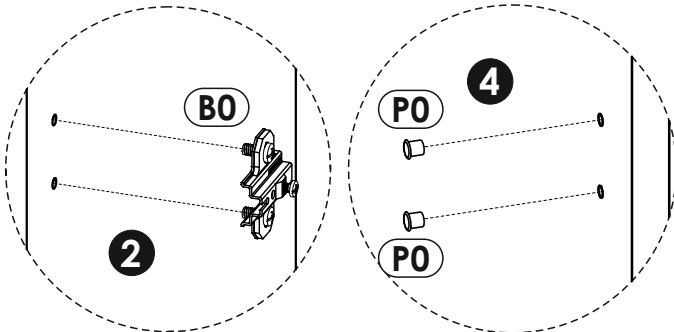
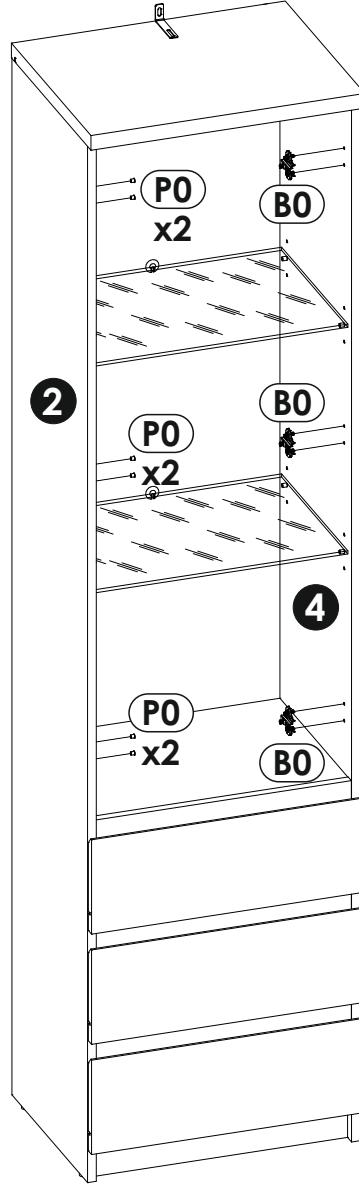
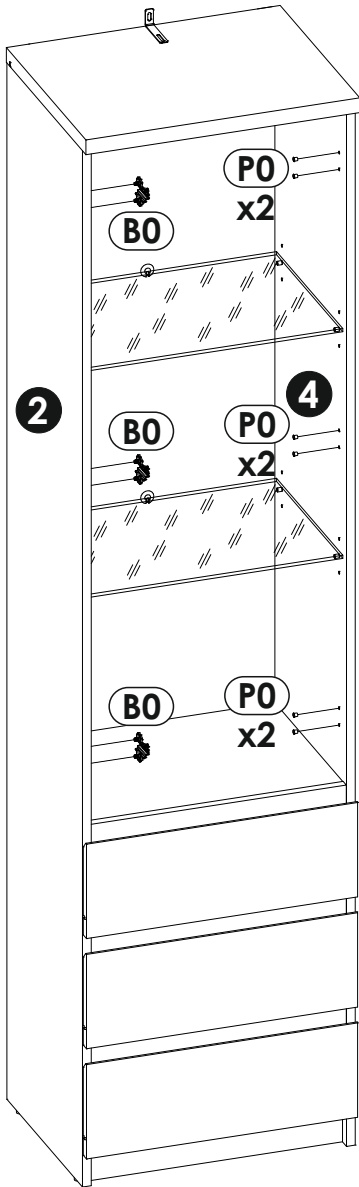
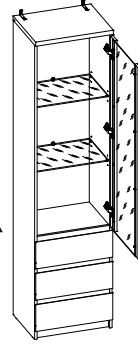
25 ▶



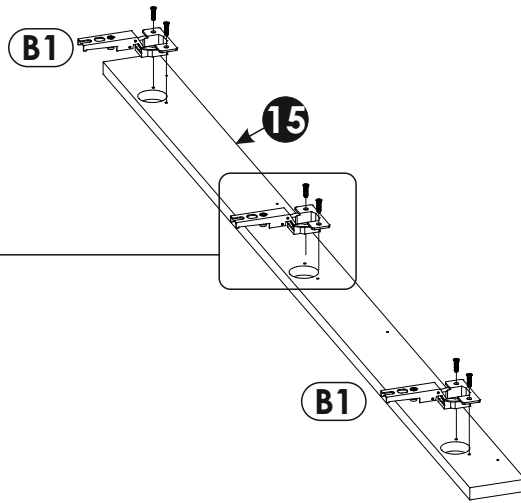
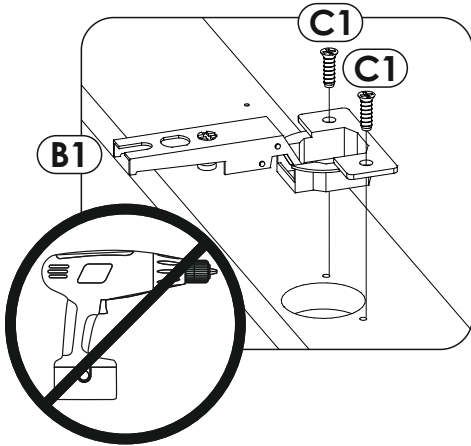
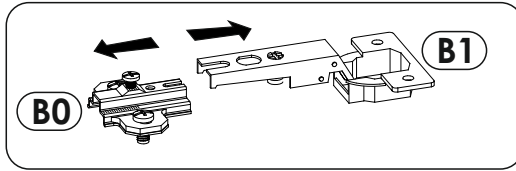
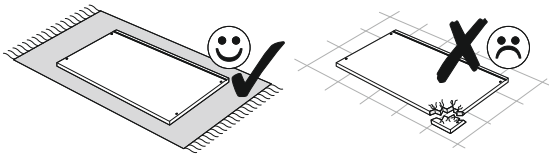
L



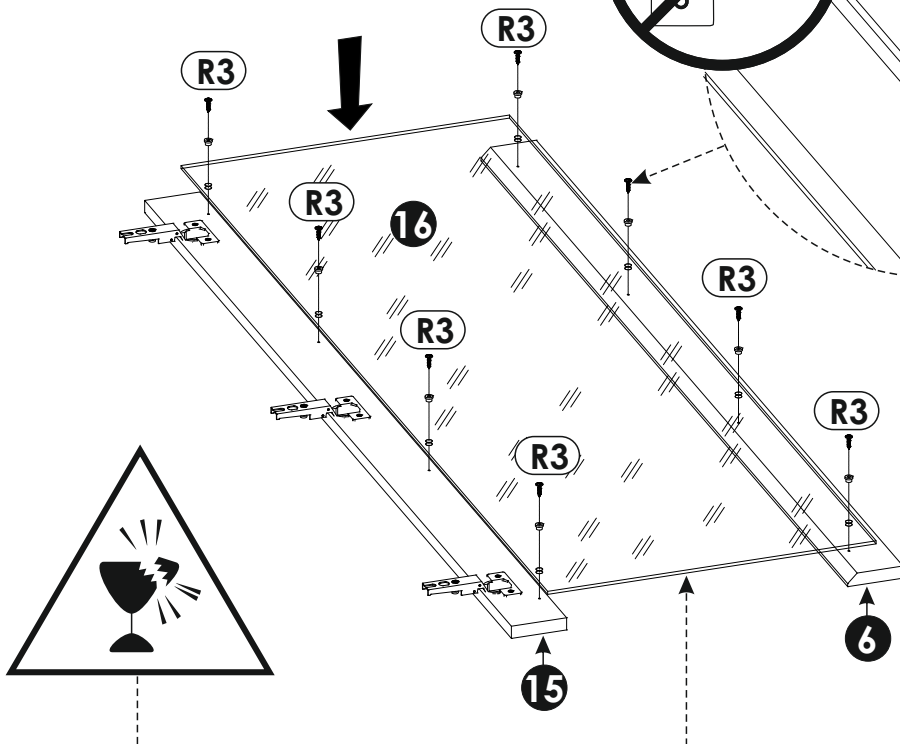
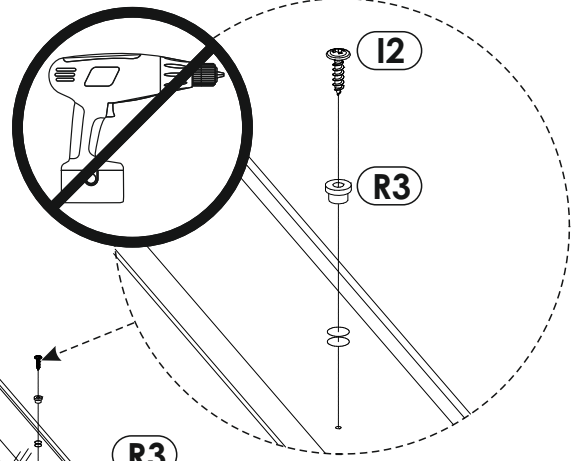
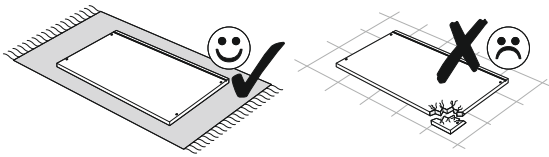
R

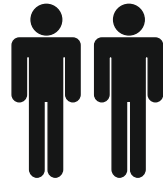
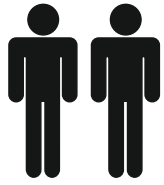


26▶



27▶





L

R

