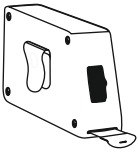
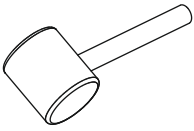
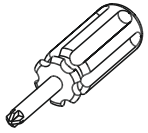
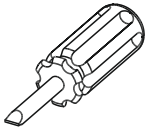
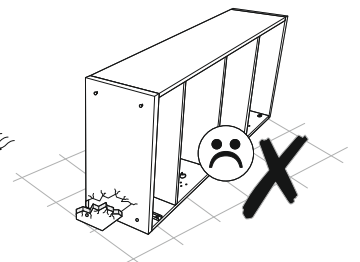
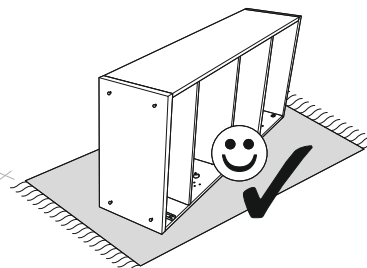
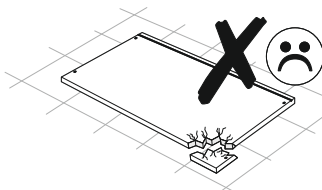
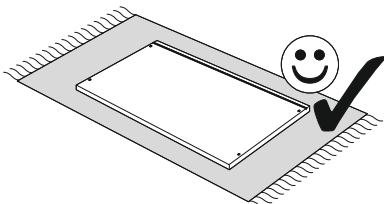
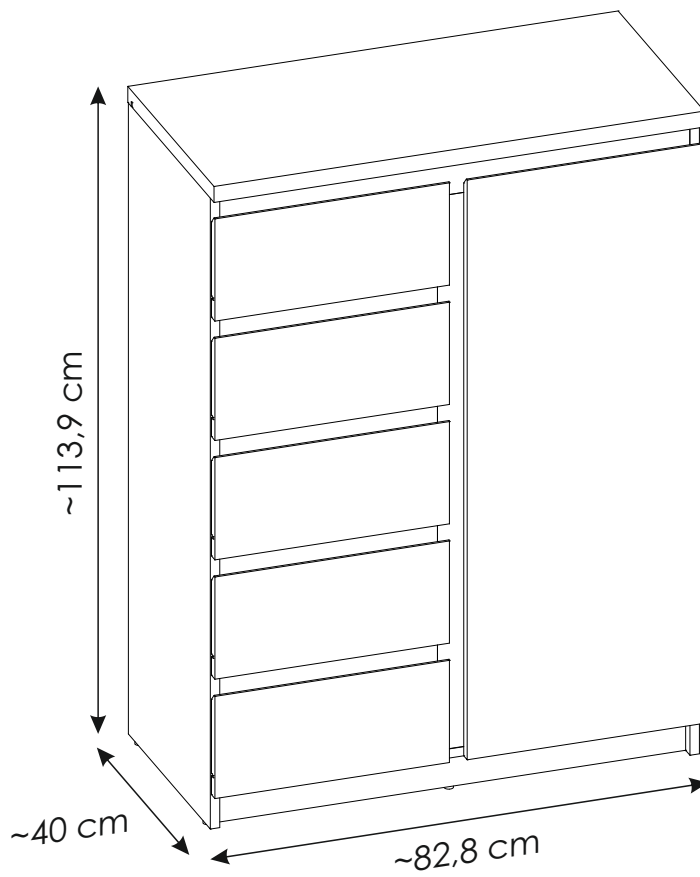


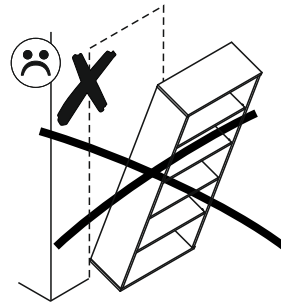
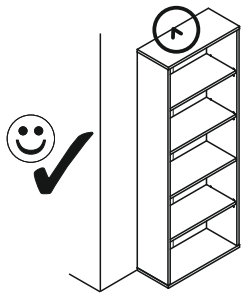


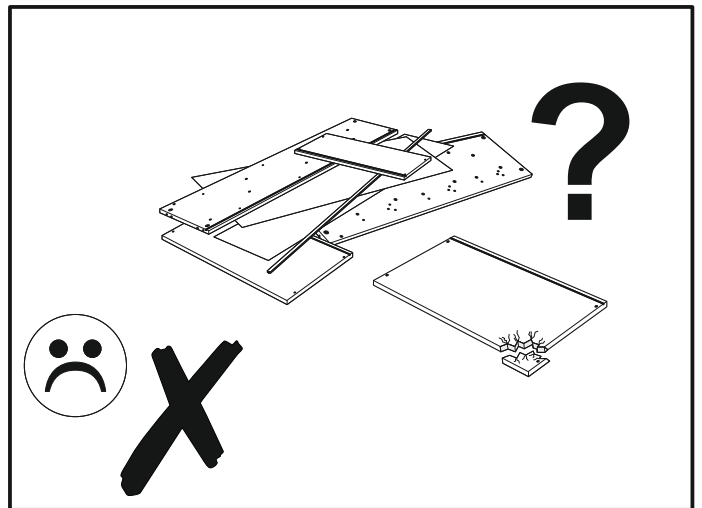
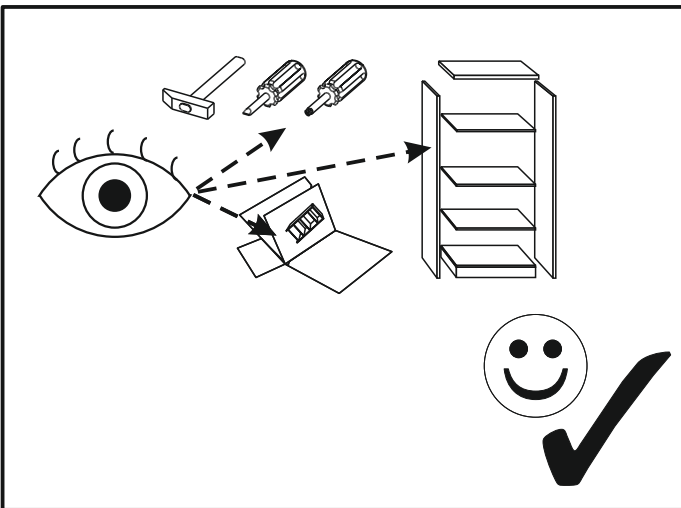
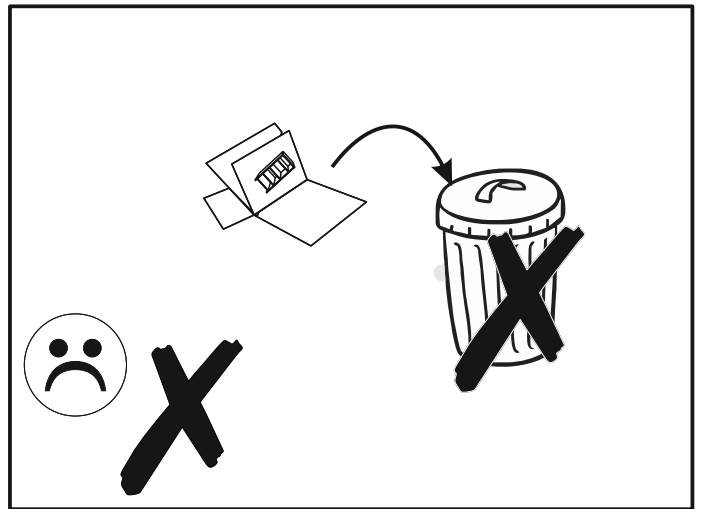
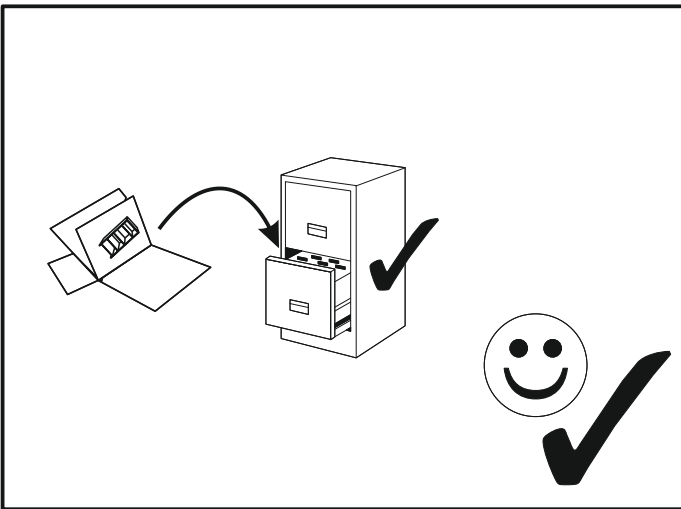
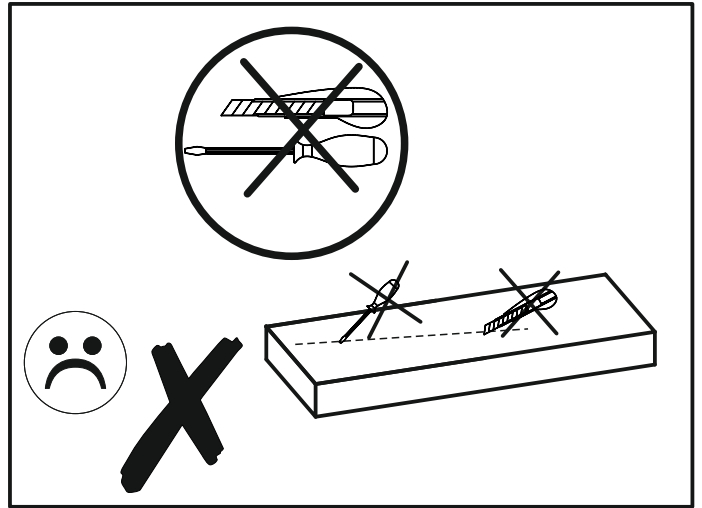
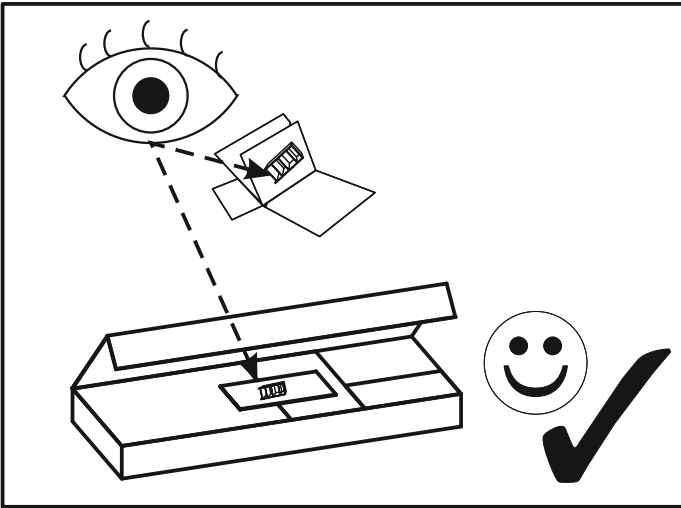
100 min

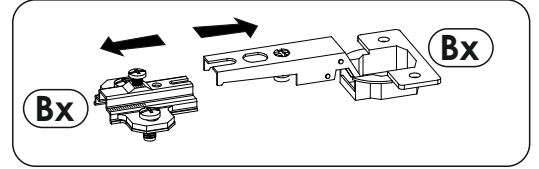
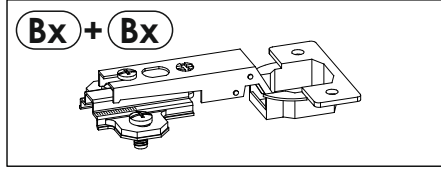
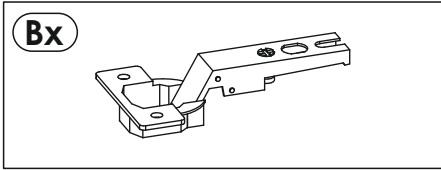
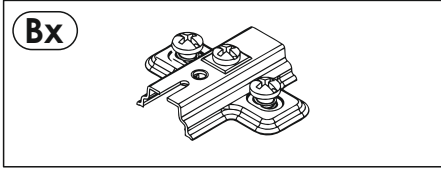


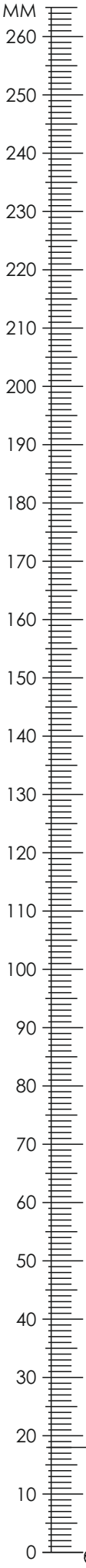
Ø8



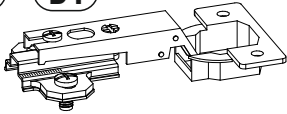



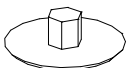

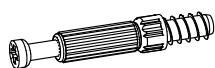
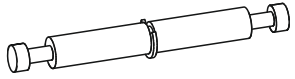
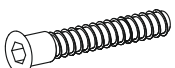

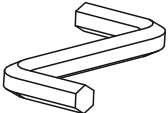
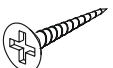
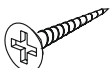
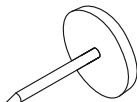
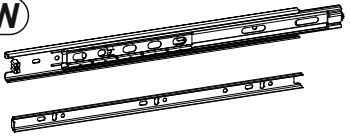
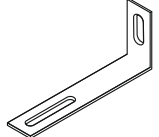
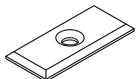
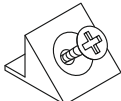
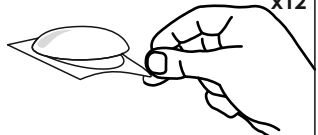
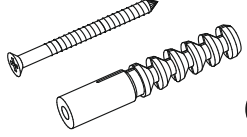
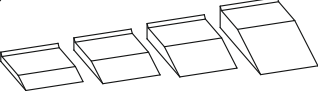


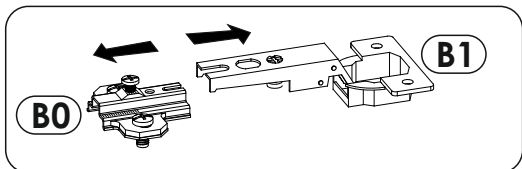


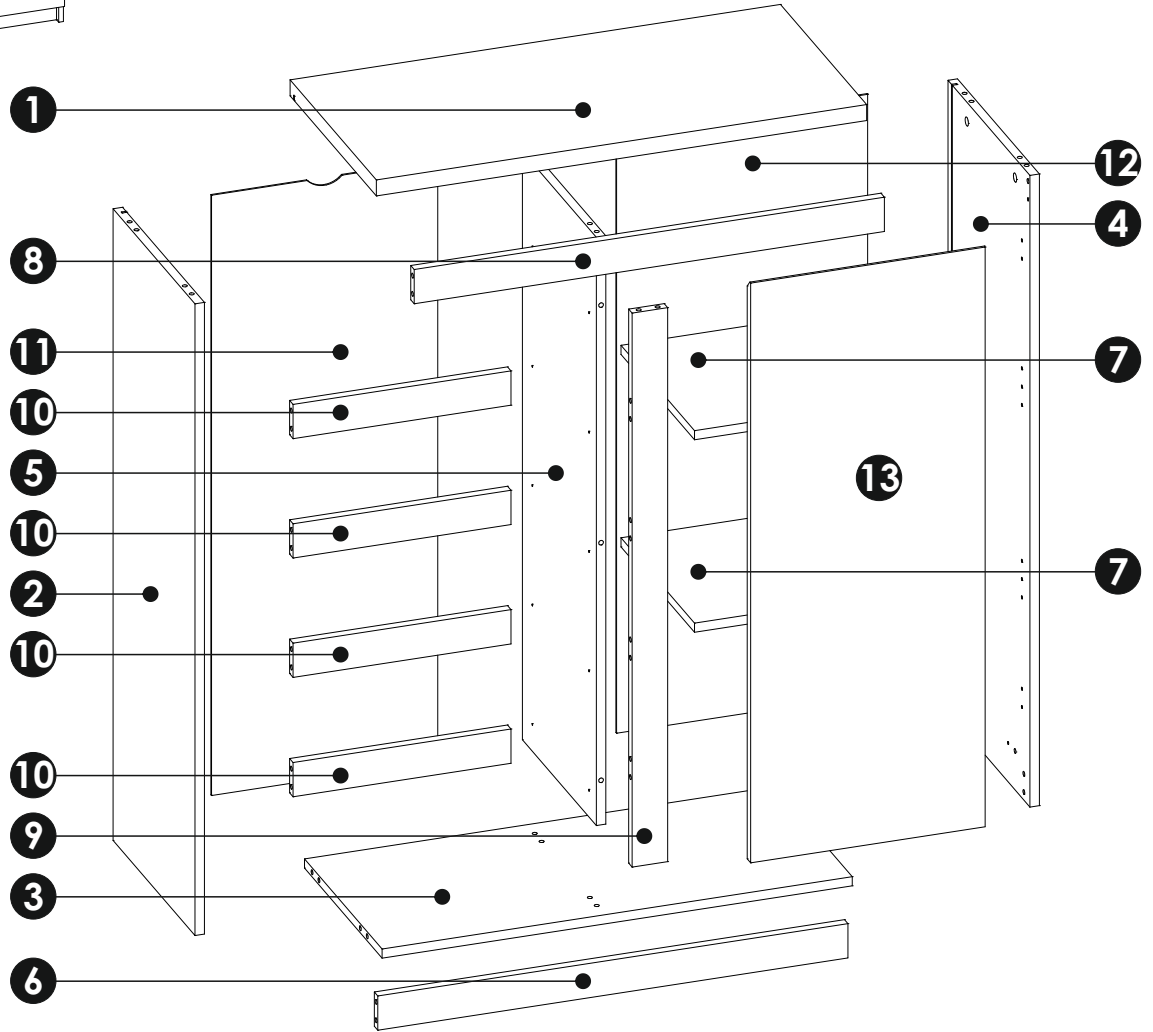
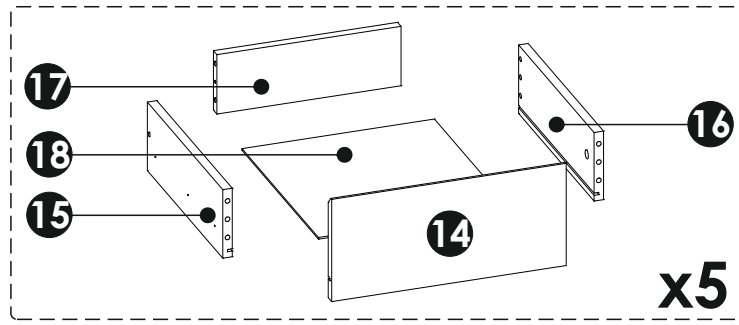
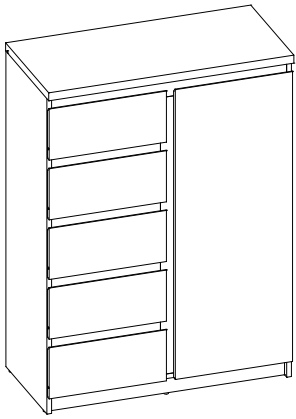






A1 8 x 35 mm x62 	A2 8 x 45 mm x5 	B0 + B1 x2 
C1 4 x 13 mm x4 	C2 5 x 13 mm x20 	D2 x8 
E0 Ø16 x17 	E1 15 x 12 mm x39 	F1 6 x 34 mm x29 
F3 7 x 58 mm x5 	G1 7 x 50 mm x12 	I2 4 x 16 mm x2 
M x1 	N1 3 X 16 mm x30 	N2 3,5 X 16 mm x30 
O2 x5 	PW x10 	Q9 x2 
R1 x7 	R4 x13 	R8 x12 
S13 x2  Ø8	Z x1 	



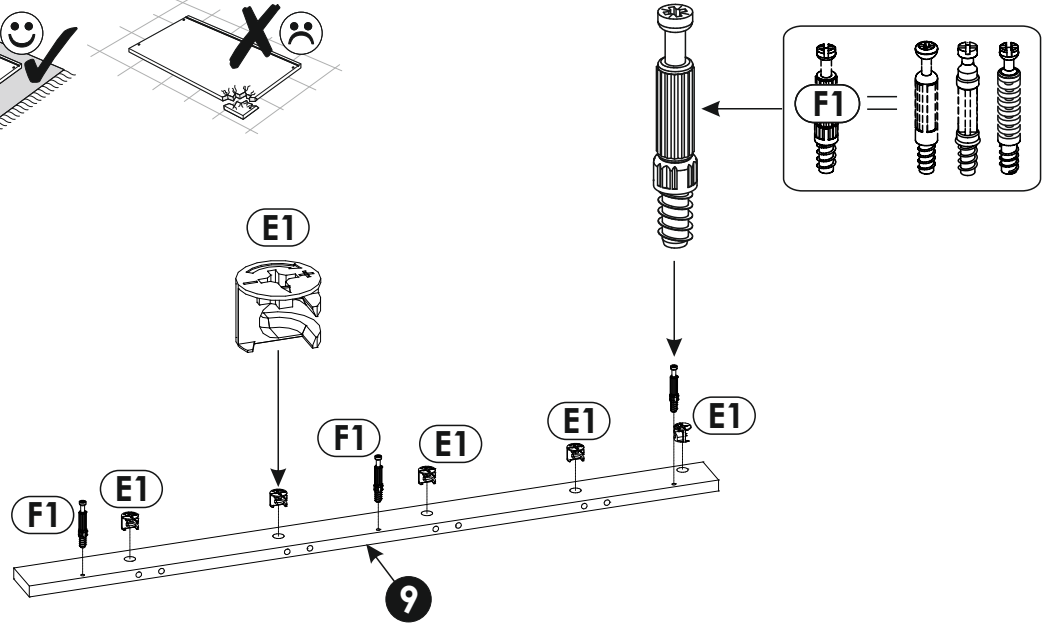
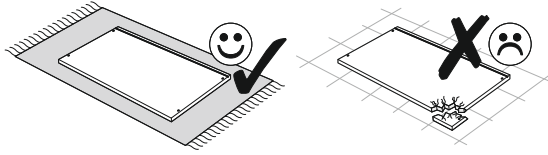


1	828	400	28	x1	1/2
2	1106	380	16	x1	2/2
3	794	360	16	x1	1/2
4	1106	380	16	x1	2/2
5	1030	343	16	x1	2/2
6	794	60	16	x1	1/2
7	410	341	16	x2	1/2
8	794	60	16	x1	1/2
9	970	60	16	x1	2/2

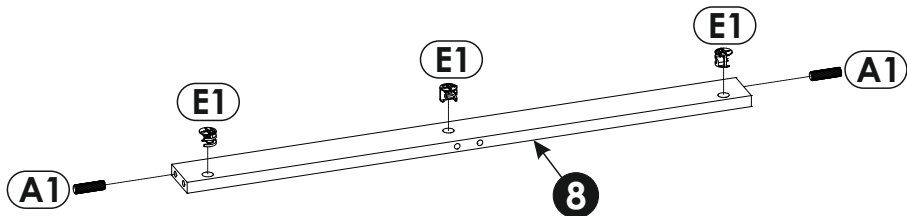
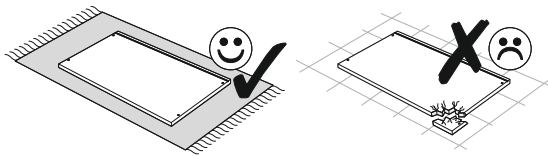
10	368	60	16	x4	1/2
11	1051	382	3	x1	2/2
12	1051	424	3	x1	2/2
13	1015	396	16	x1	2/2
14	396	179	16	x5	1/2
15	350	120	16	x5	1/2
16	350	120	16	x5	1/2
17	311	104	16	x5	1/2
18	325	355	3	x5	1/2

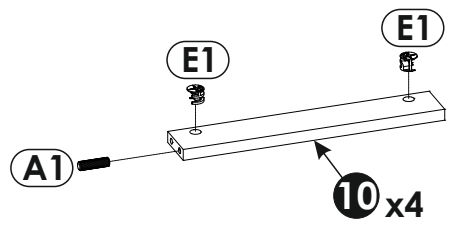
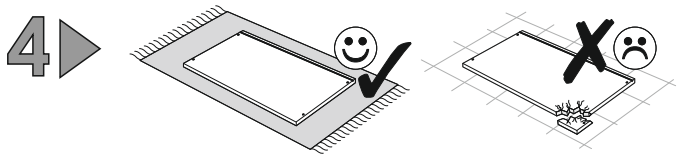
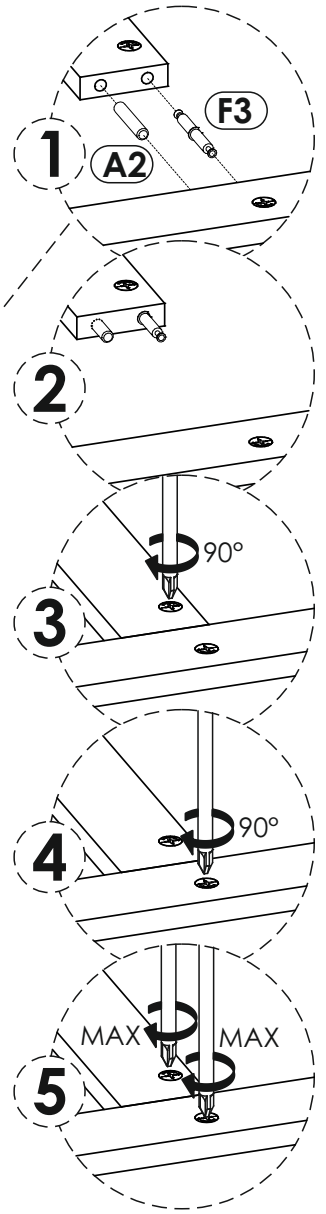
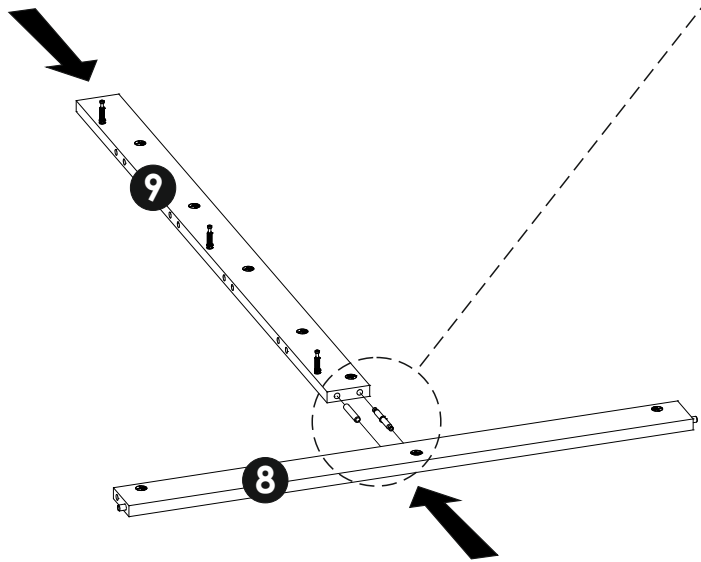
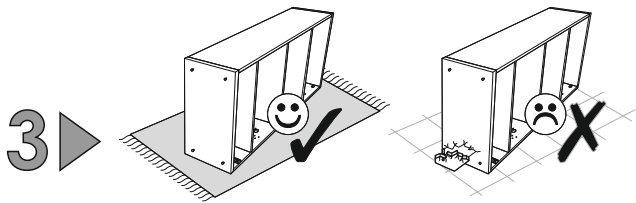


1 ▶

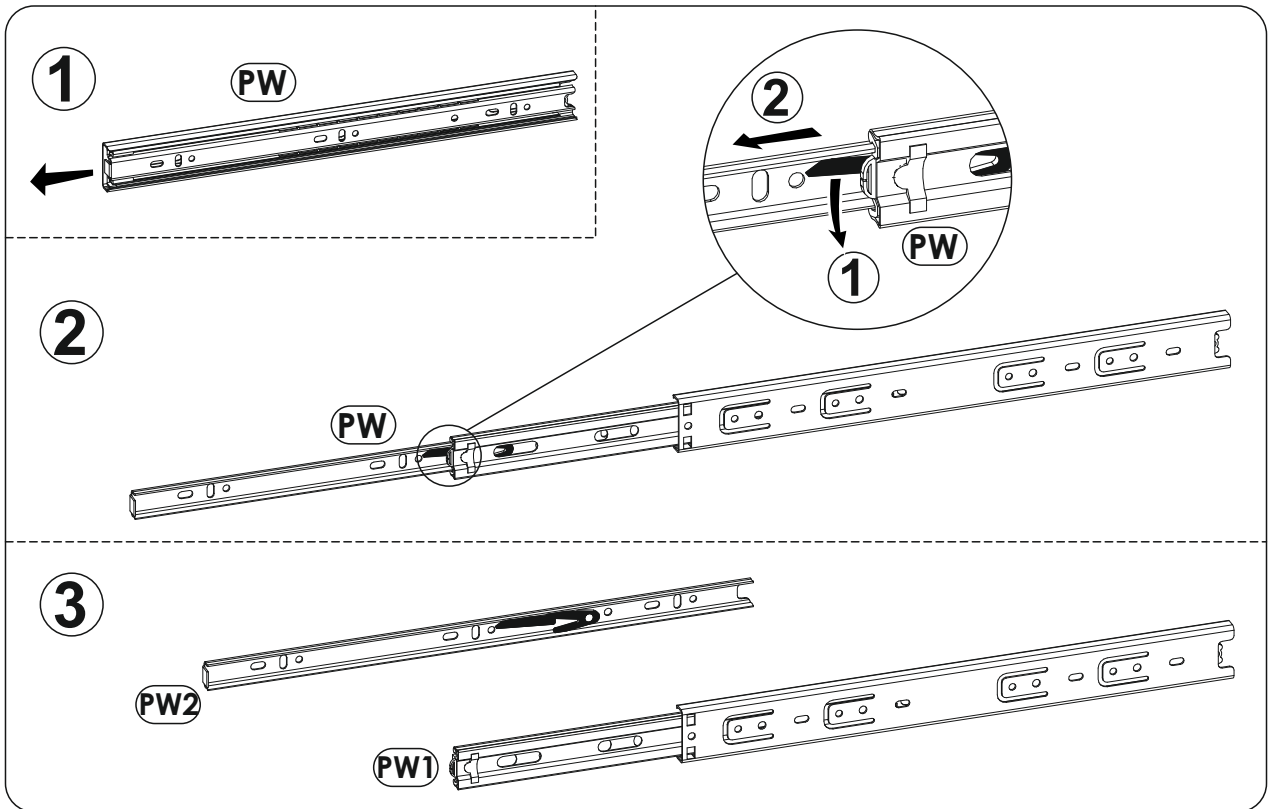
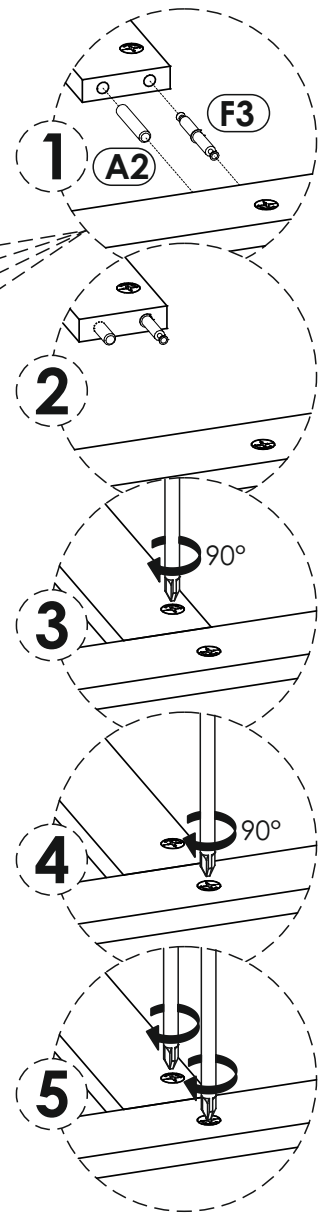
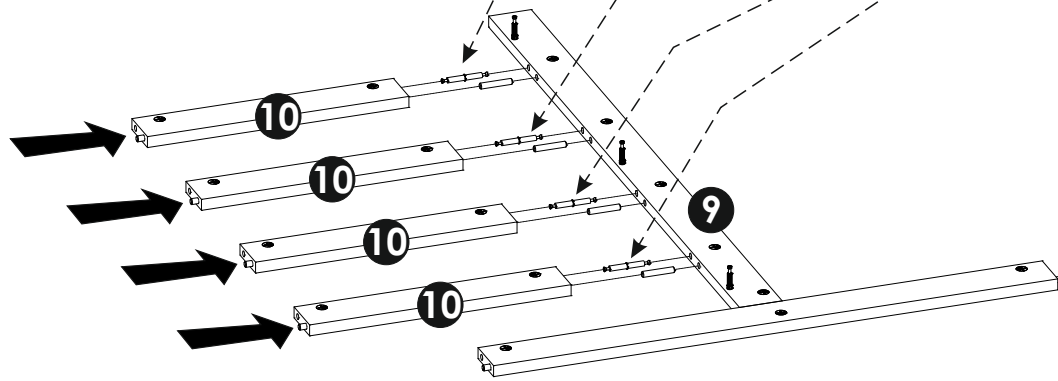
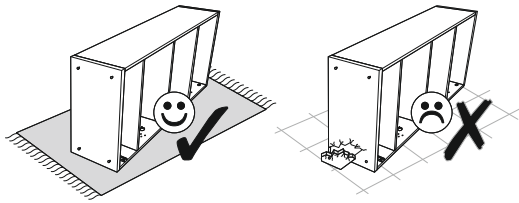


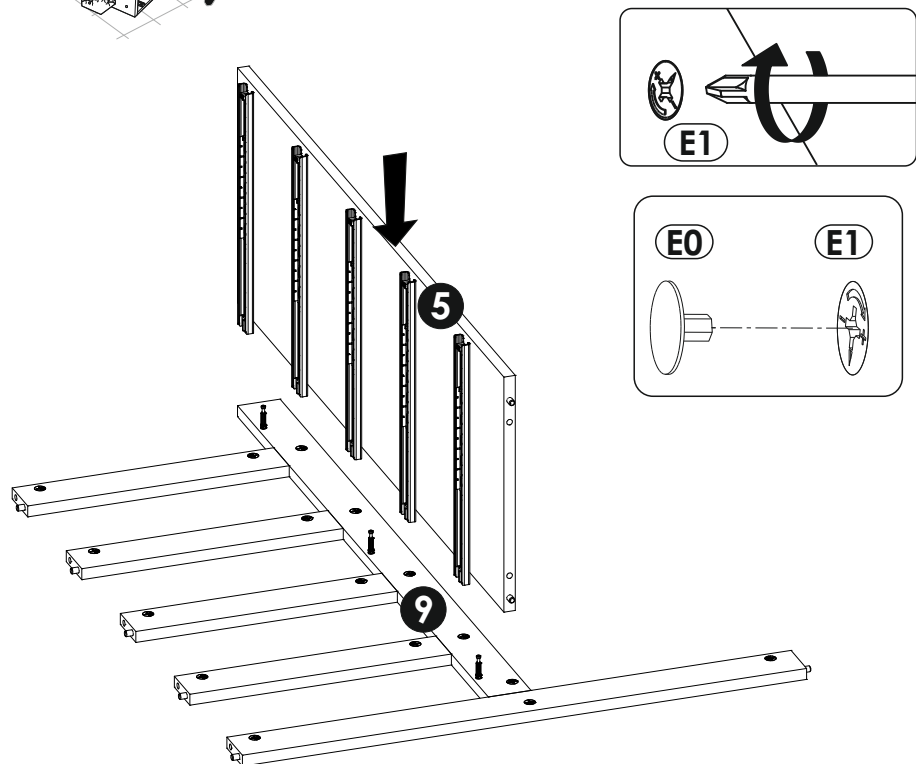
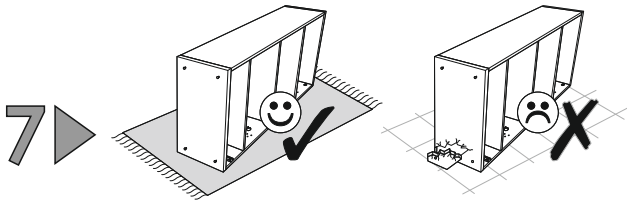
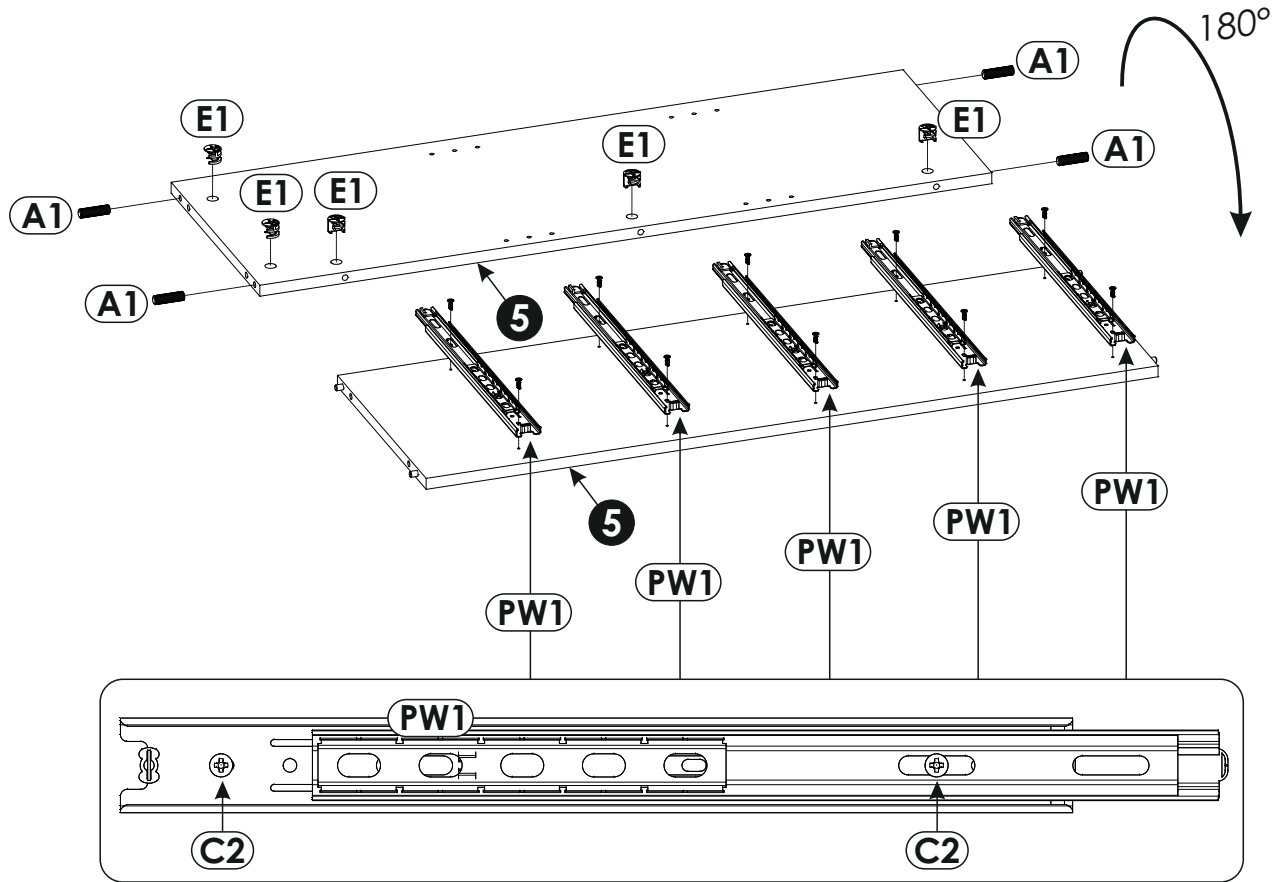
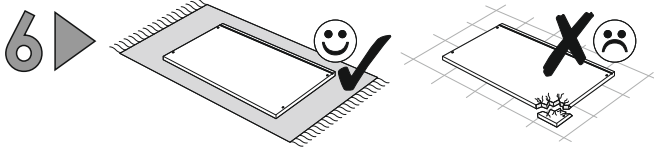
2 ▶



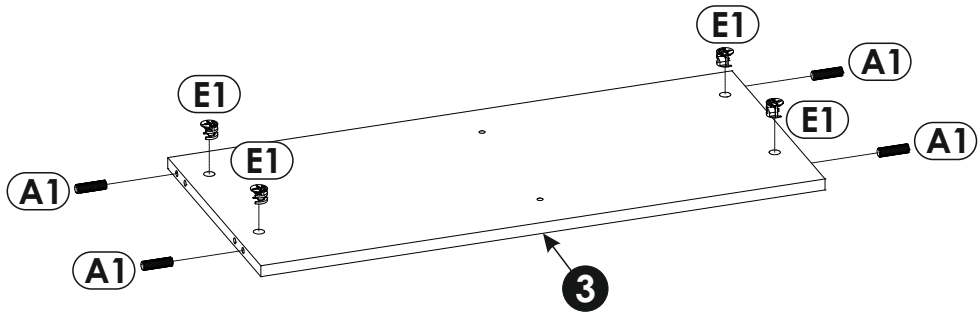
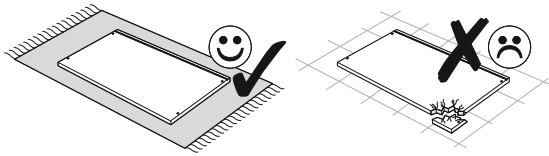


5 ▶

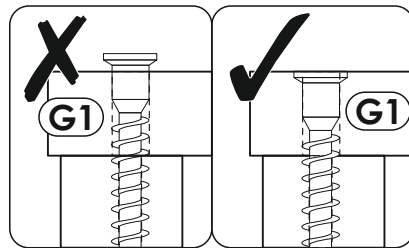
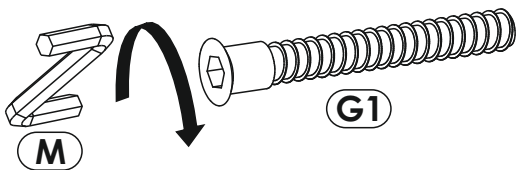
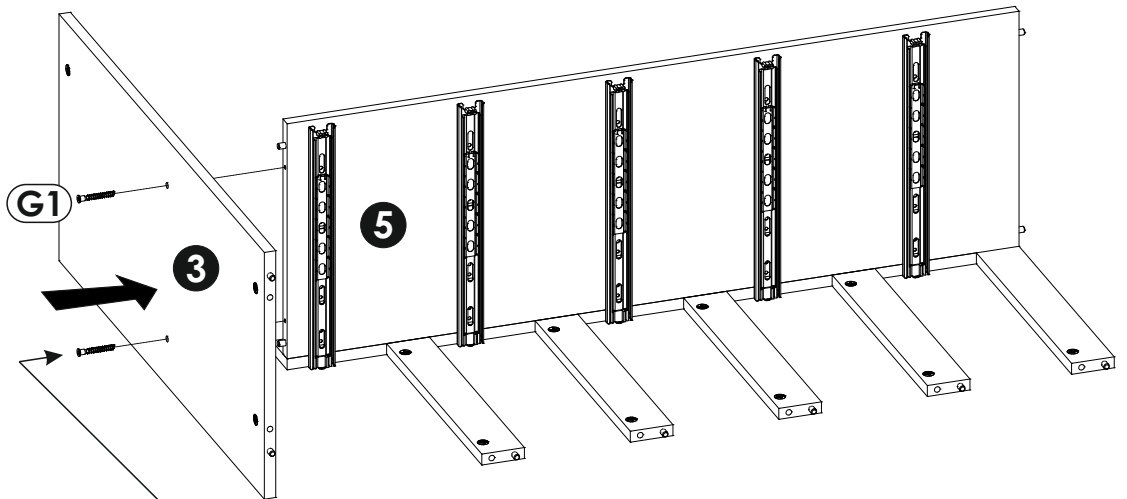
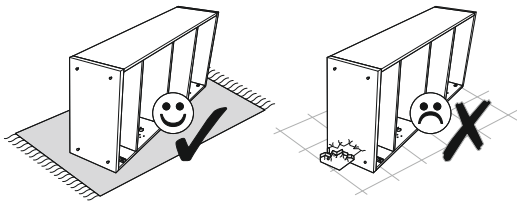




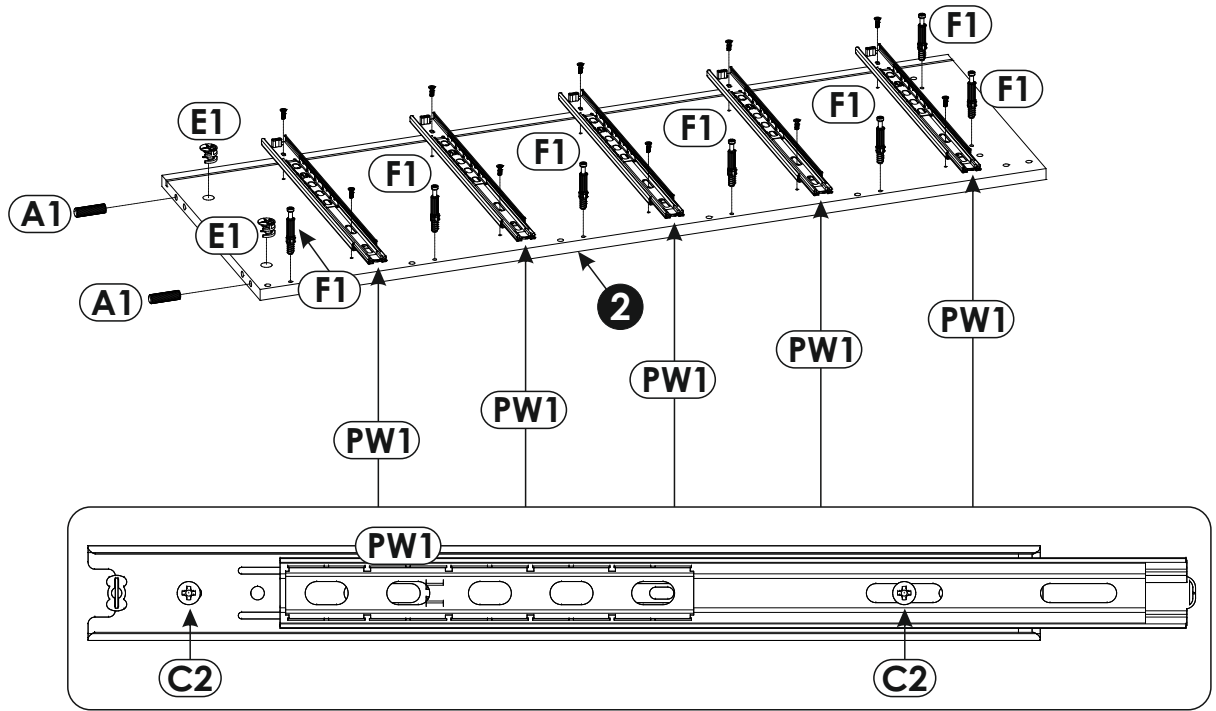
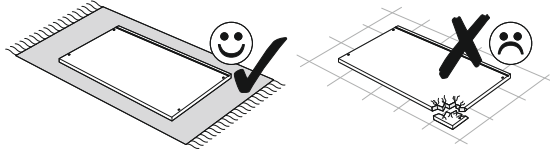
8 ▶



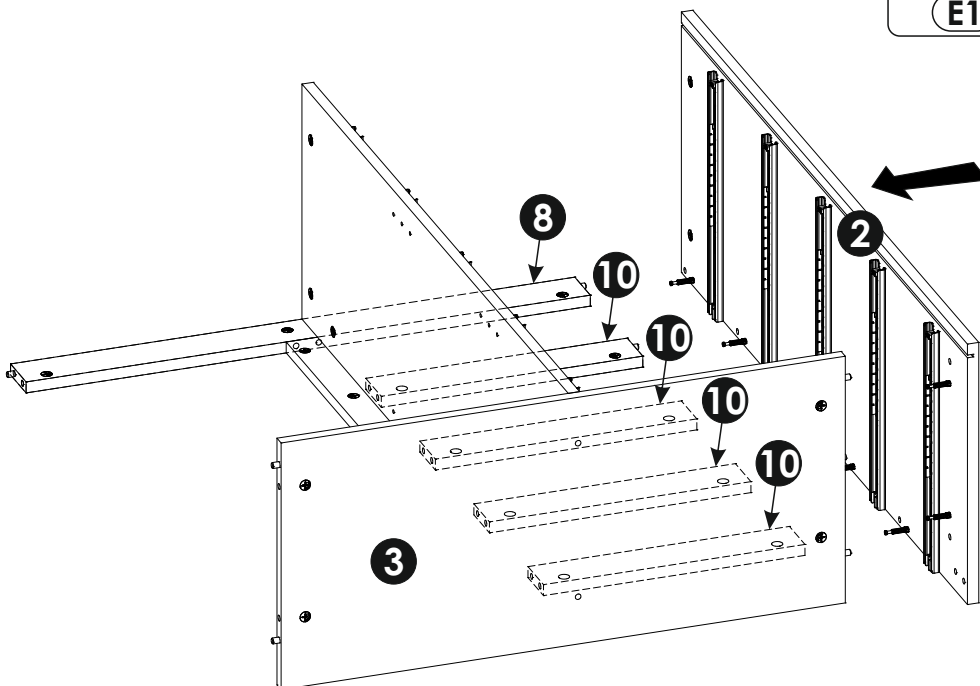
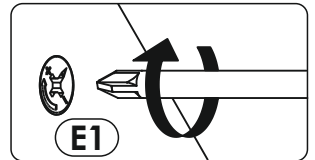
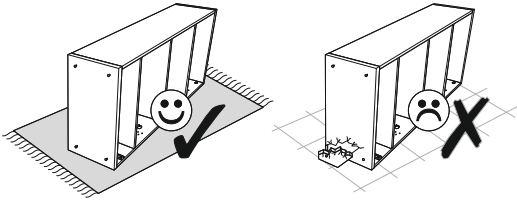
9 ▶



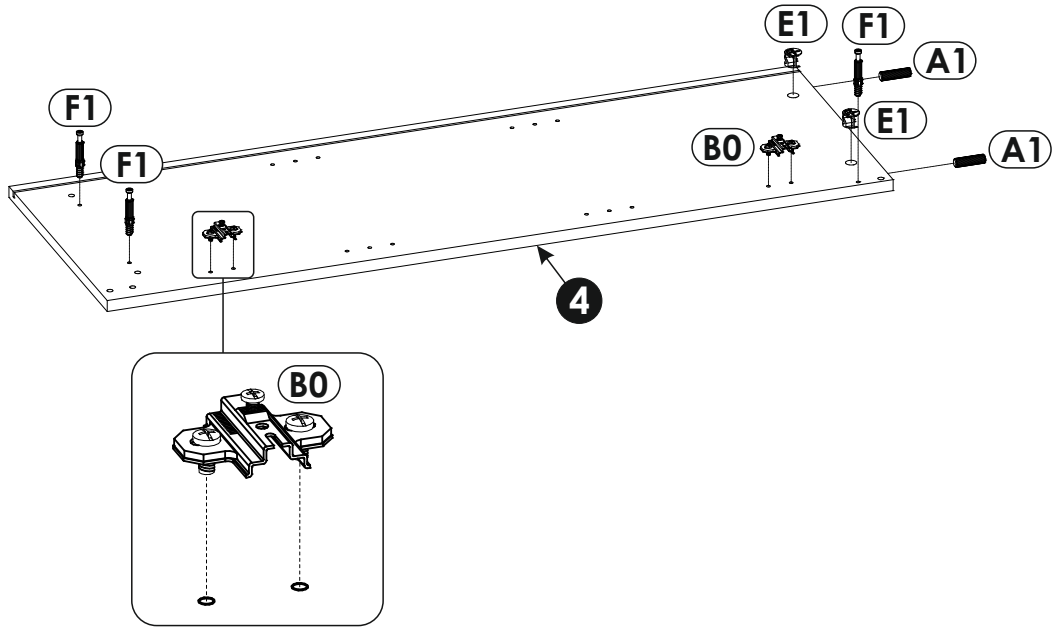
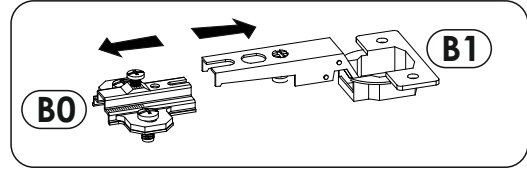
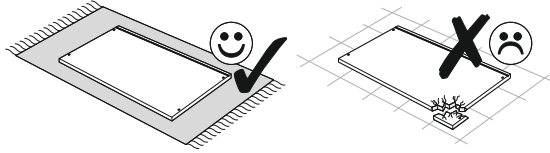
10 ▶



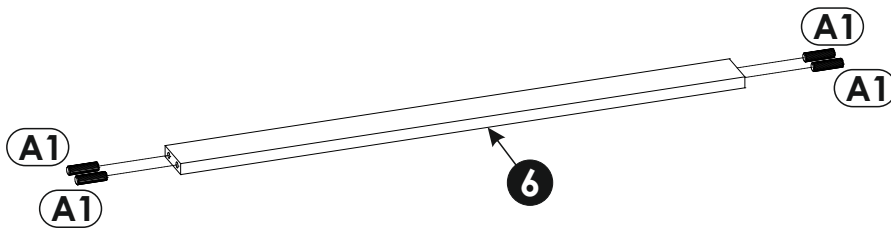
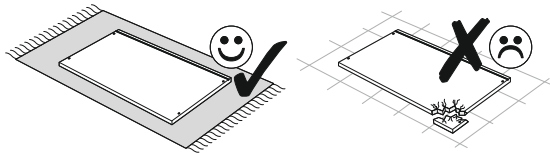
11 ▶



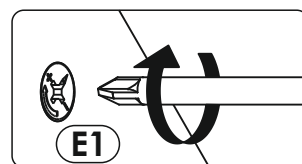
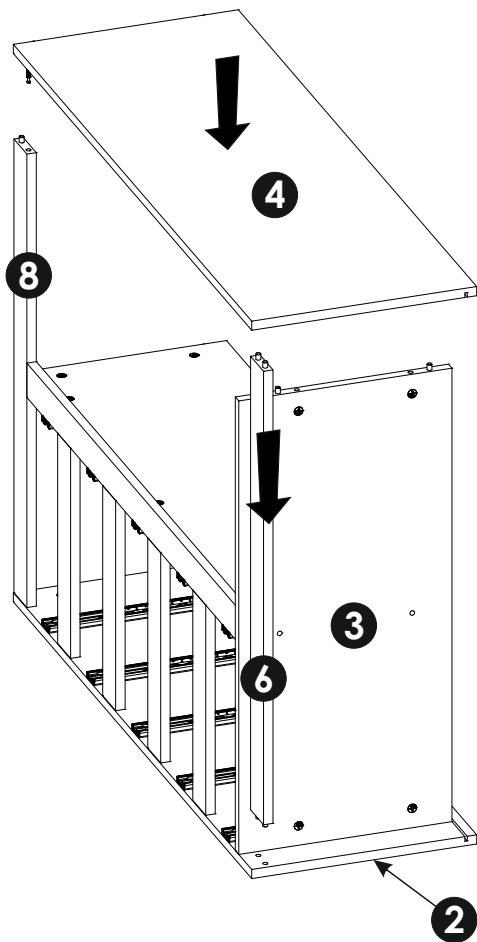
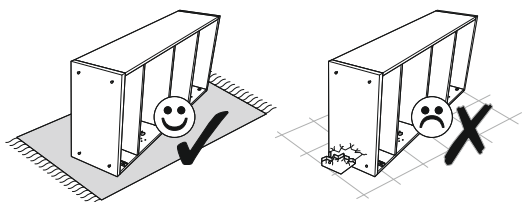
12▶



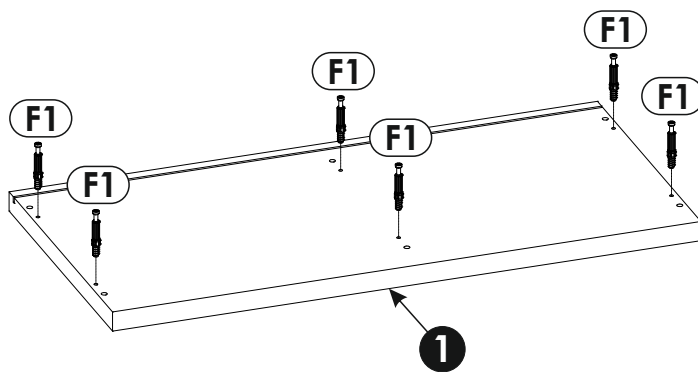
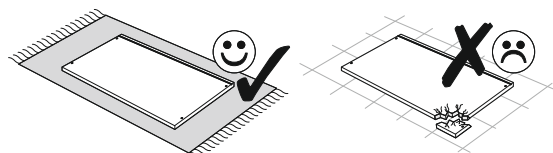
13▶



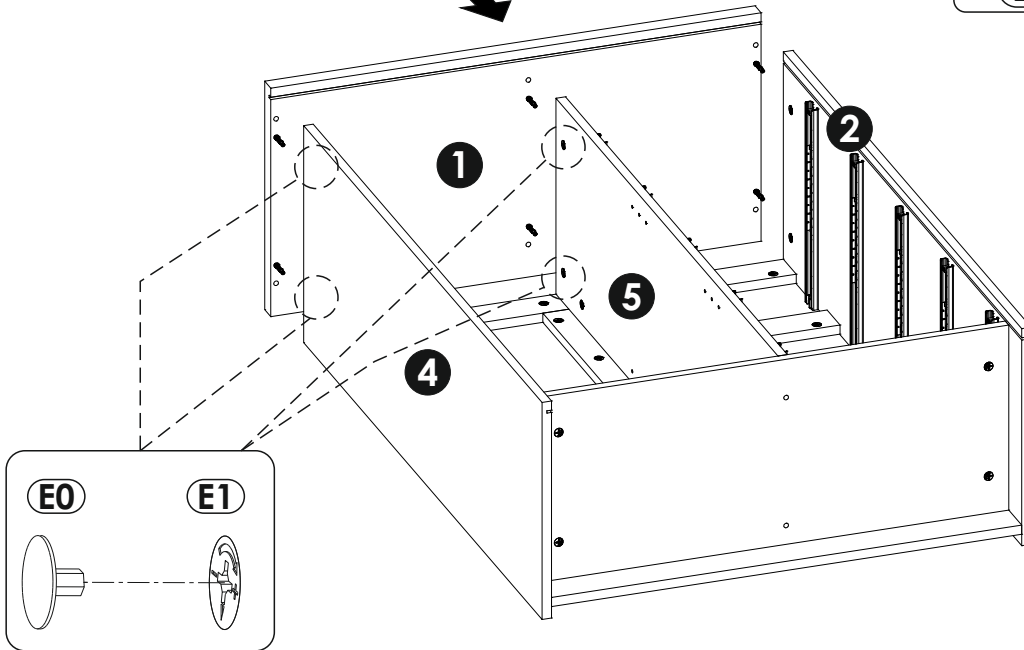
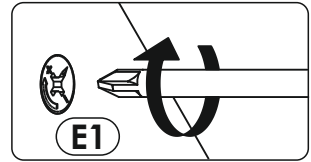
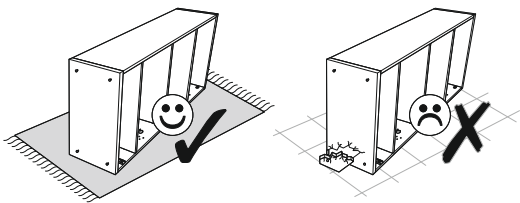
14▶



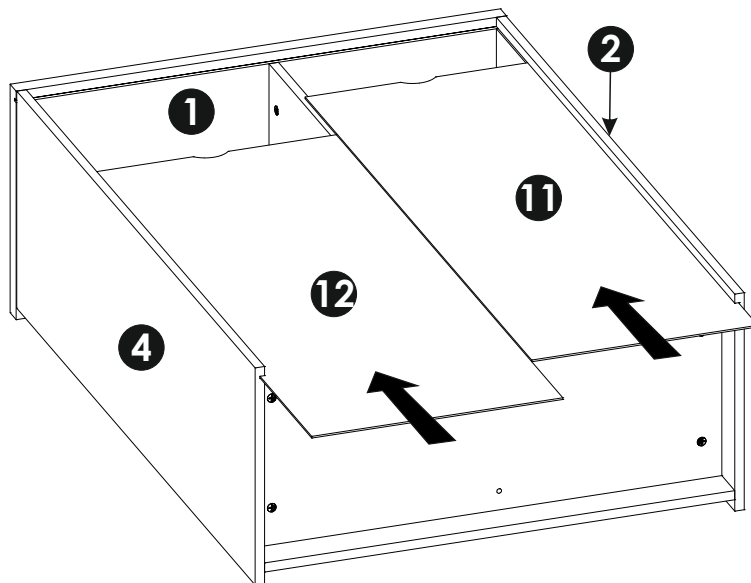
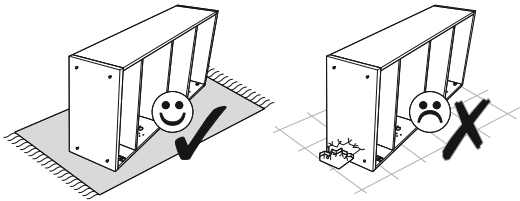
15▶



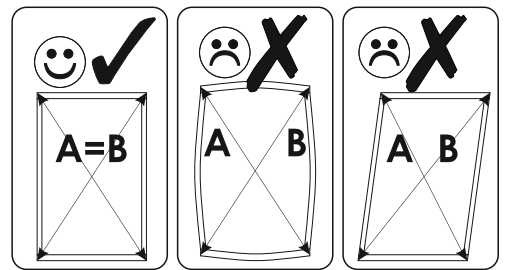
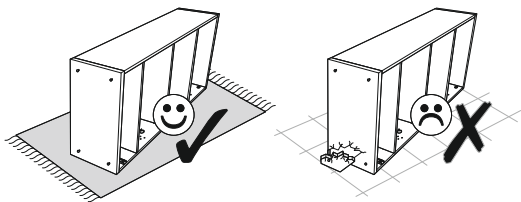
16 ▶



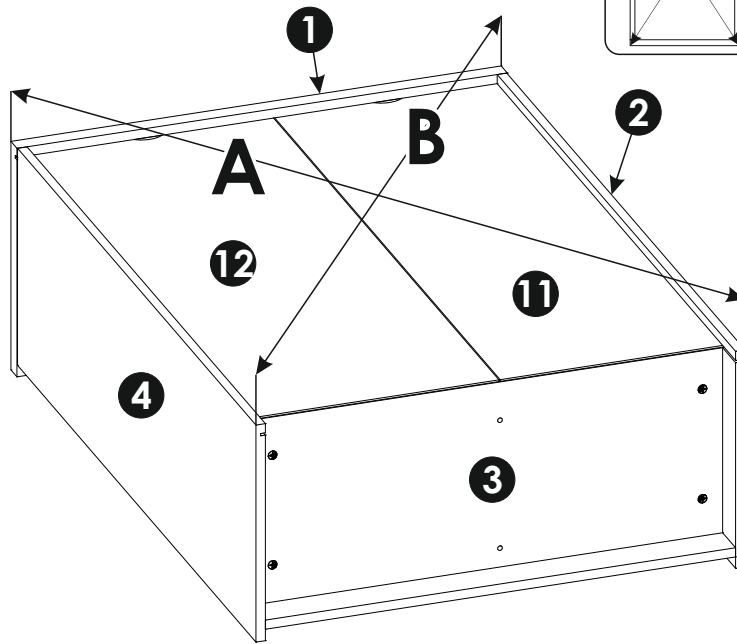
17 ▶



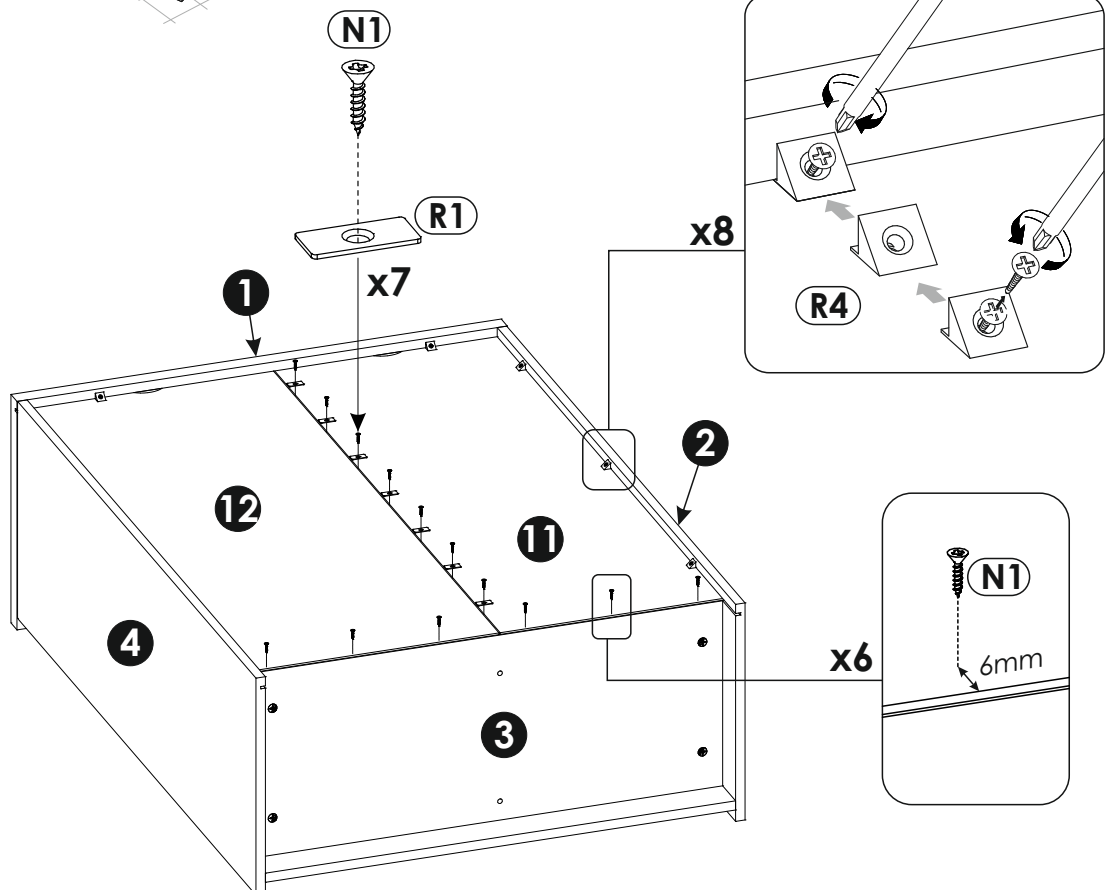
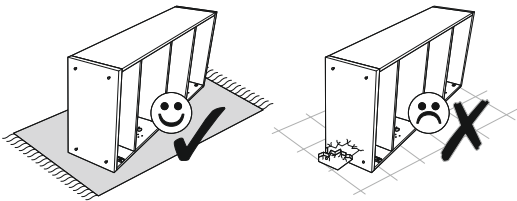
18 ▶



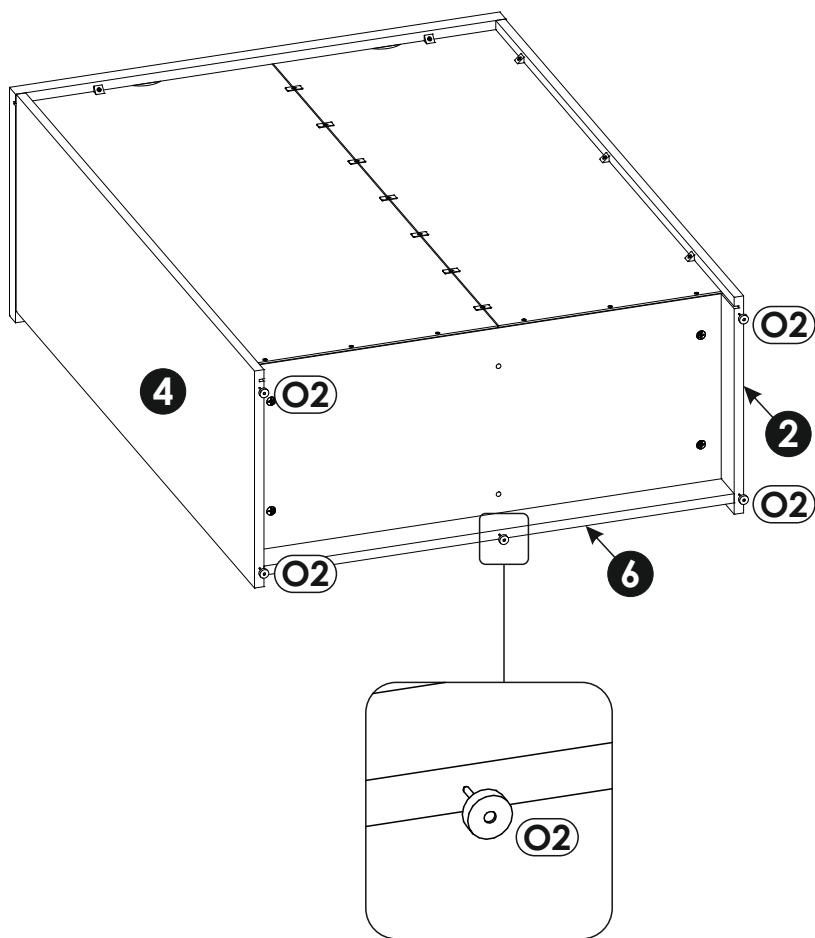
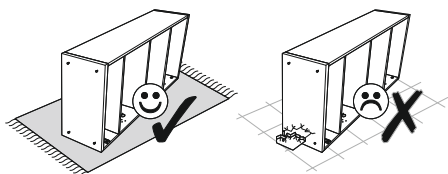
A=B

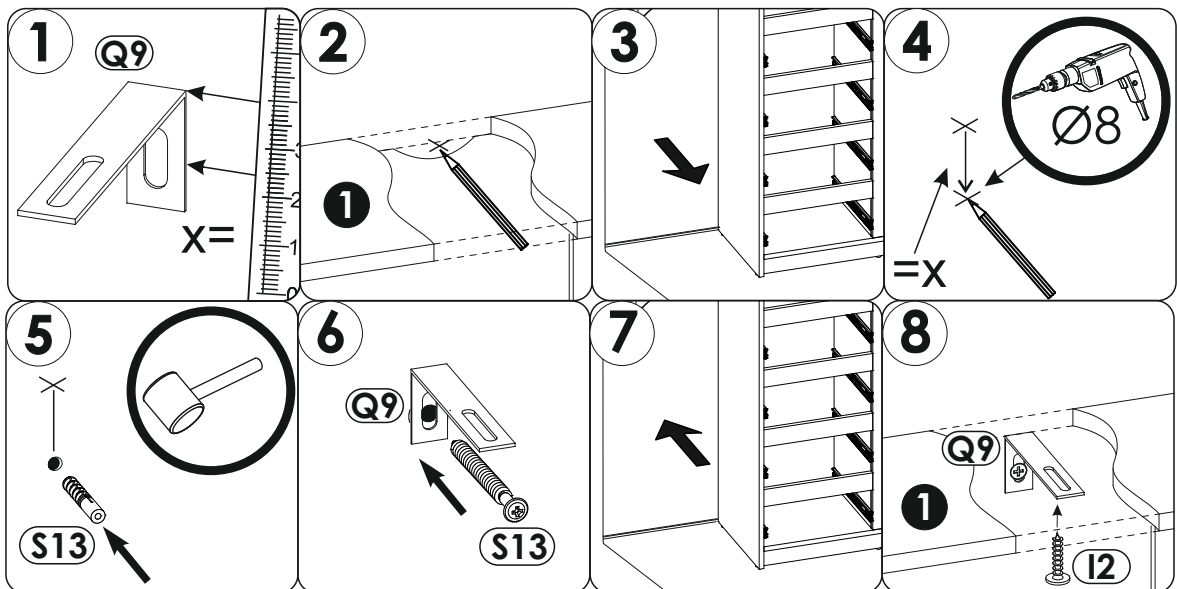
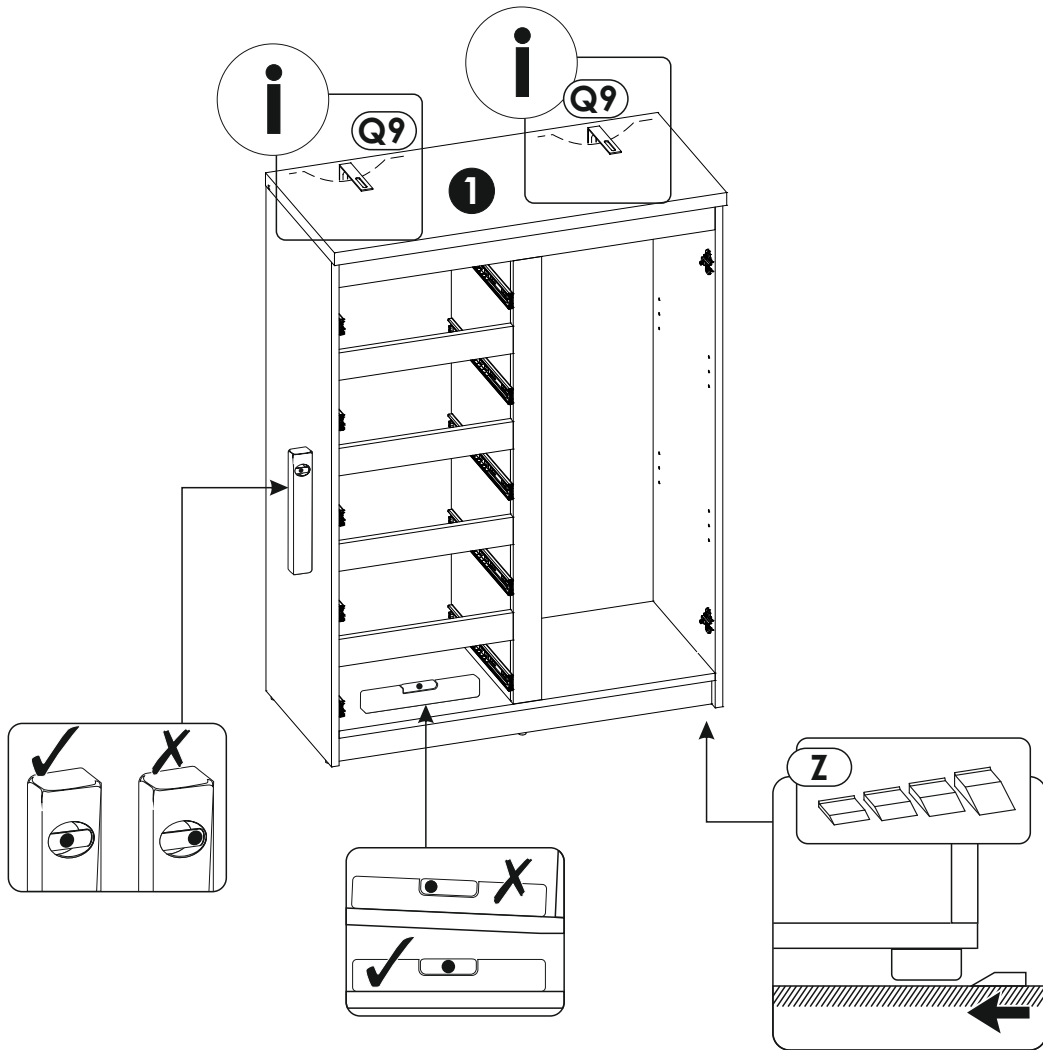
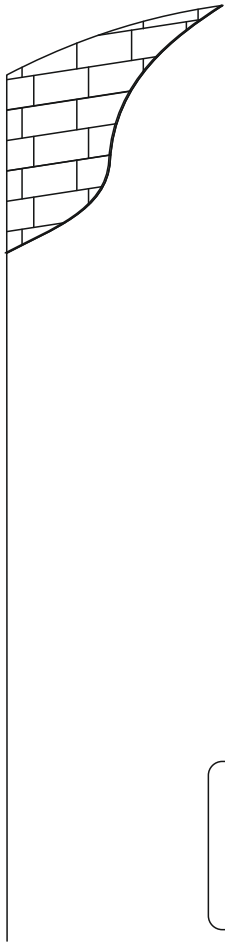
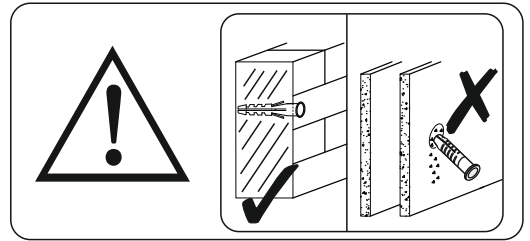


19 ▶

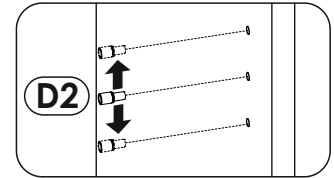
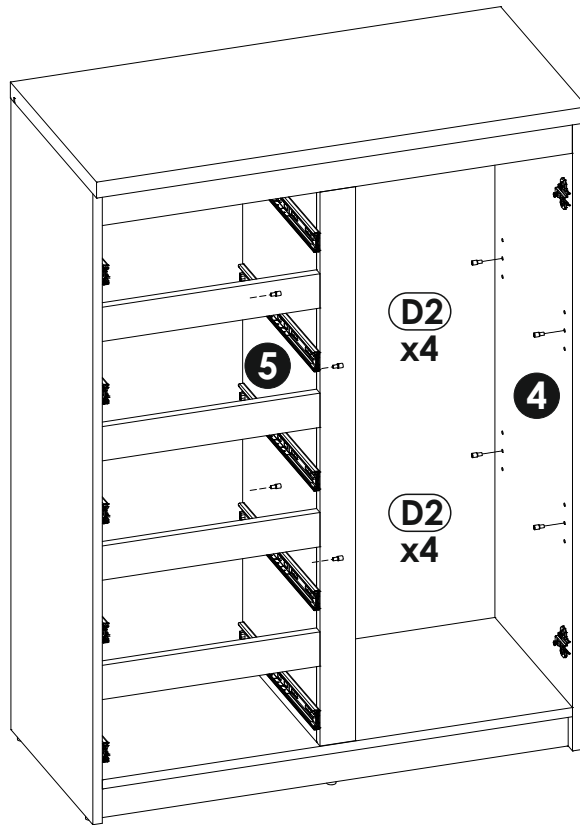


20 ▶

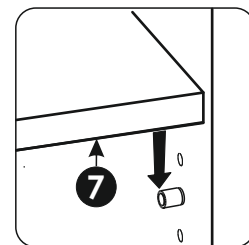
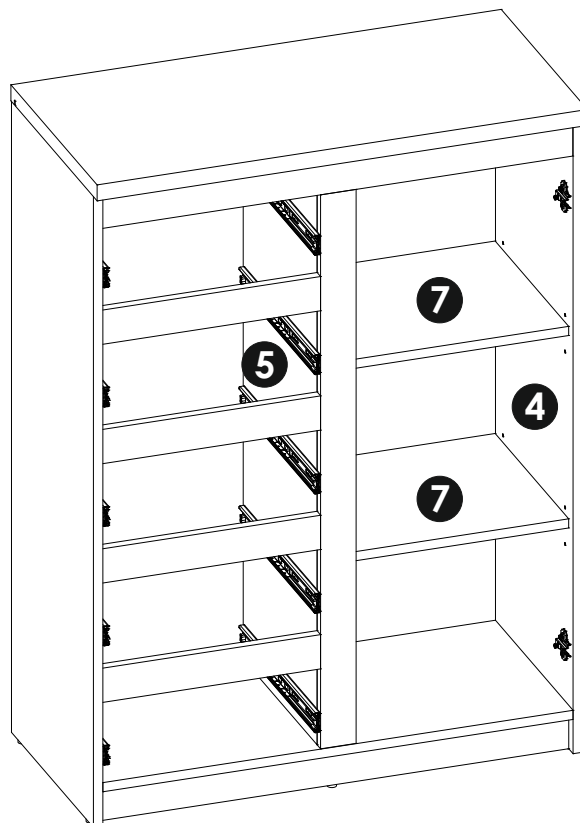




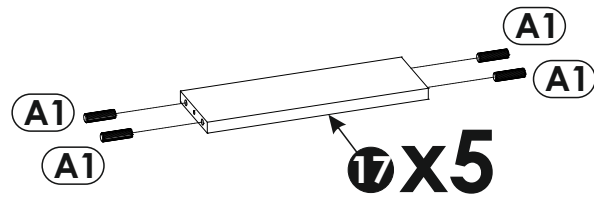
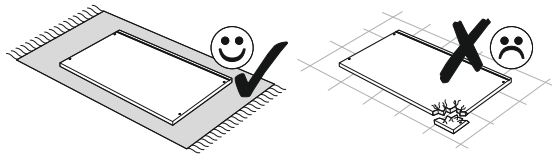
22 ▶



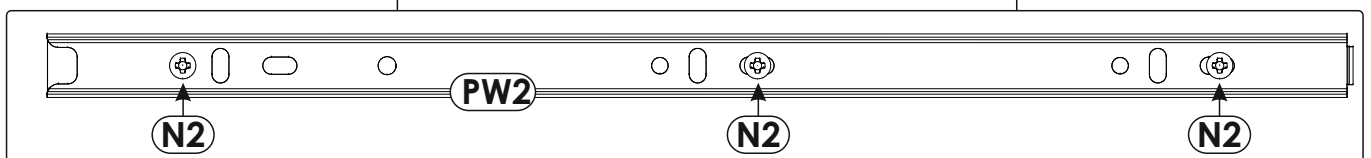
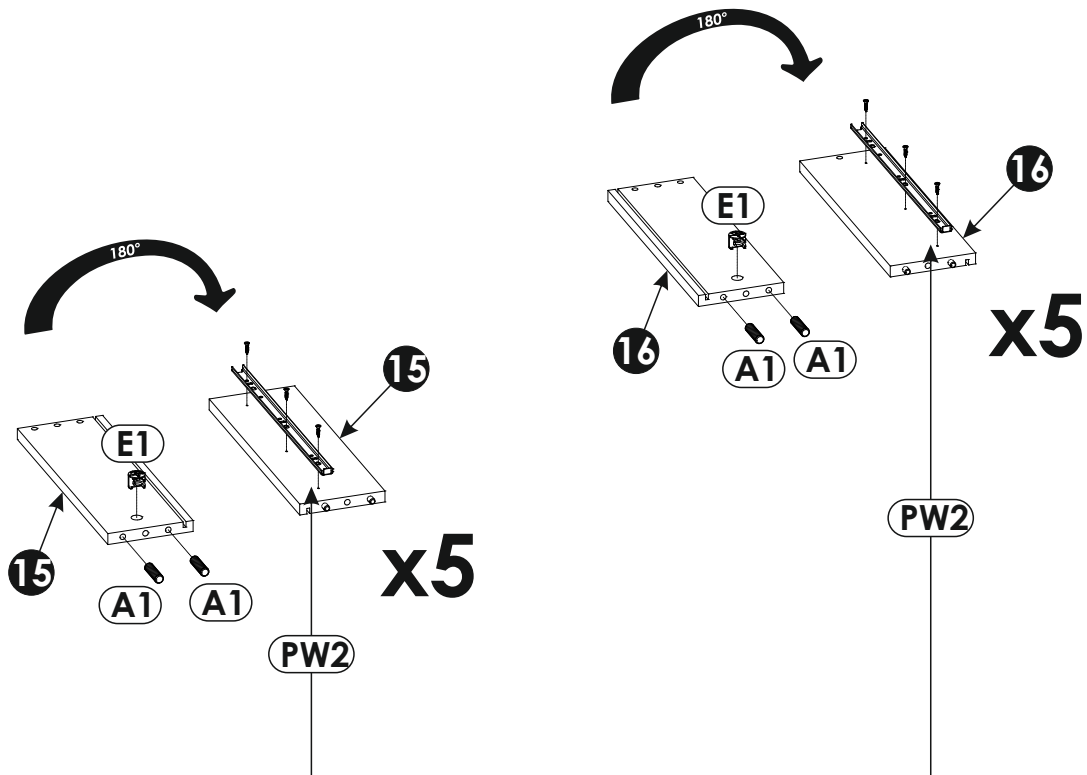
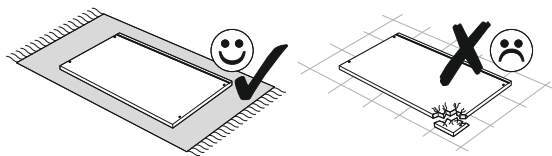
23 ▶



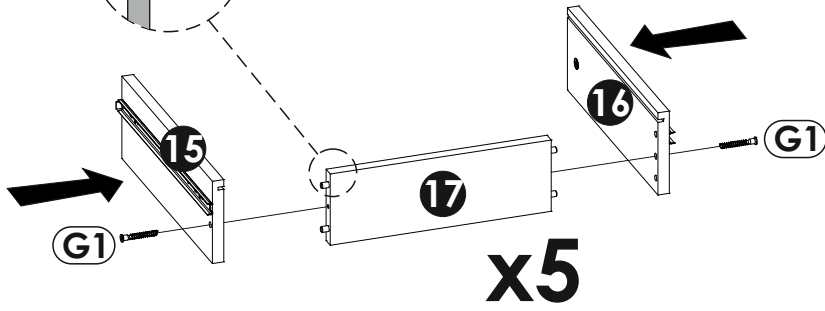
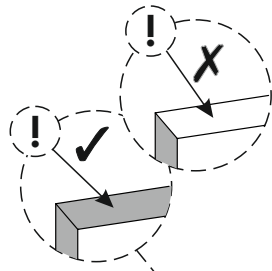
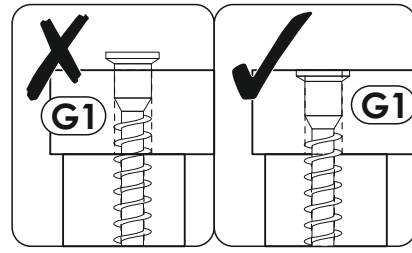
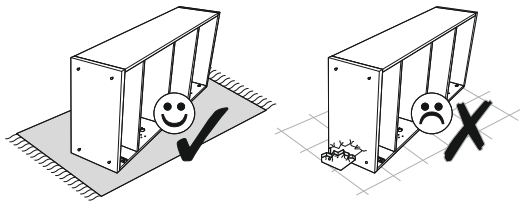
24▶



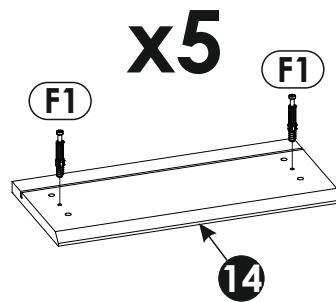
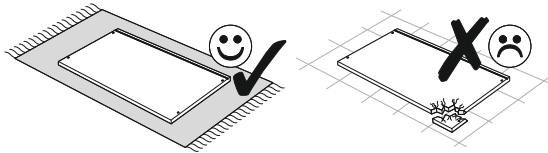
25▶



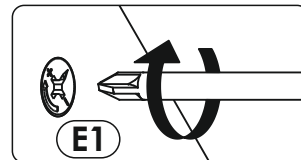
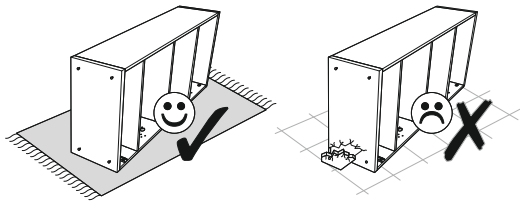
26 ▶



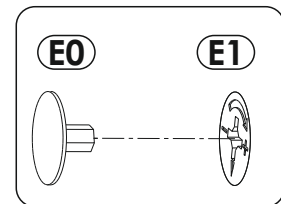
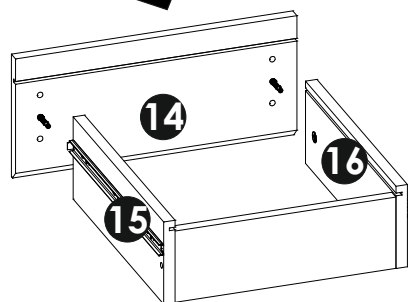
27 ▶



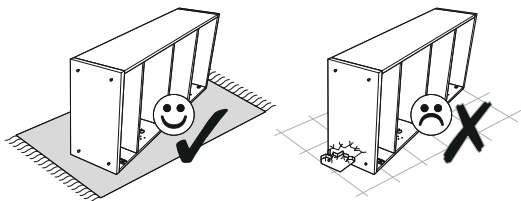
28 ▶



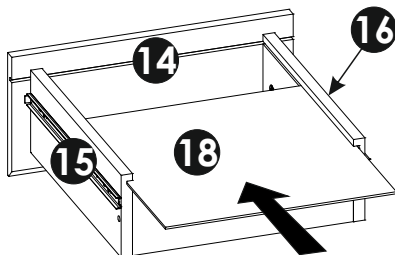
x5



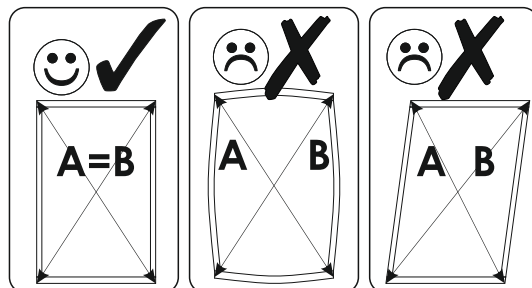
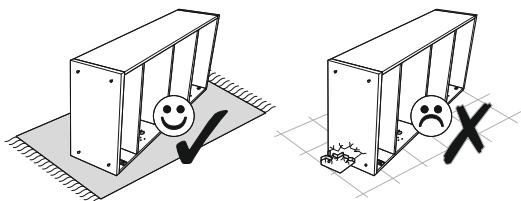
29 ▶



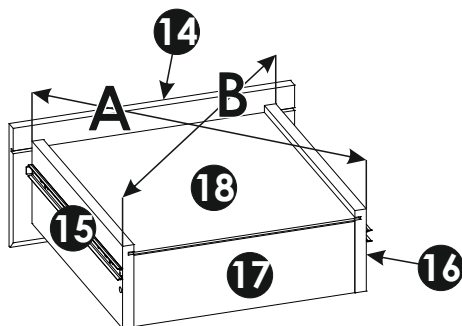
x5



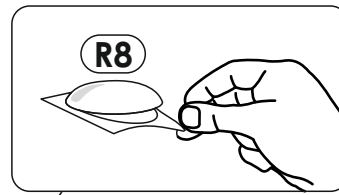
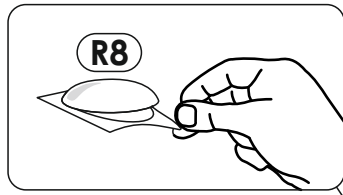
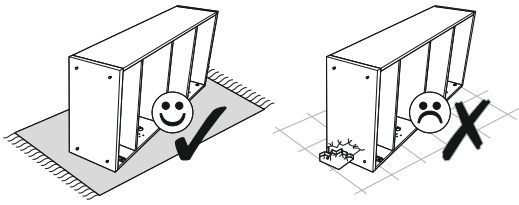
30 ▶



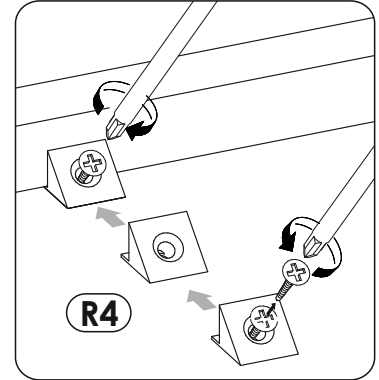
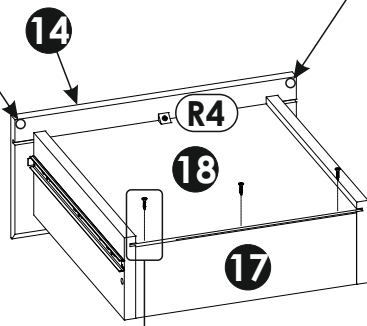
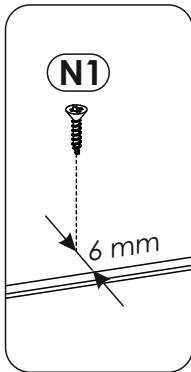
x5



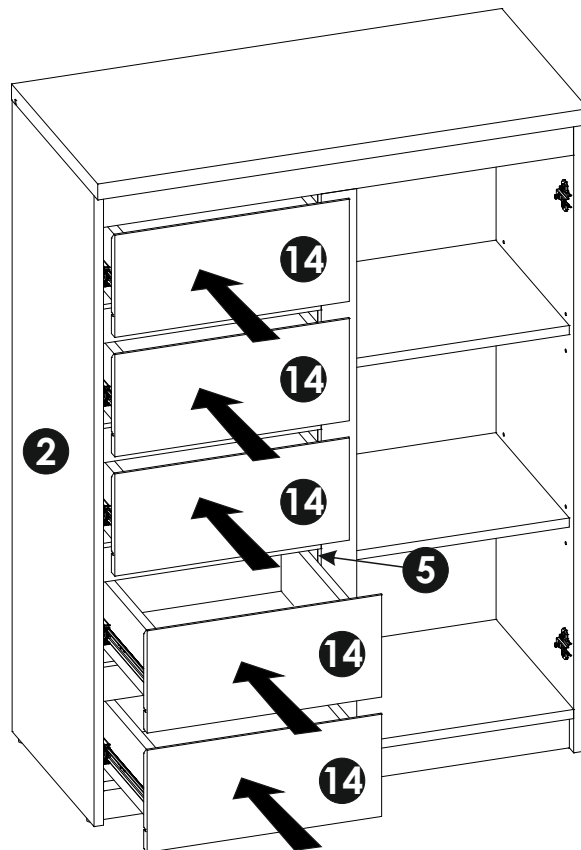
31 ▶

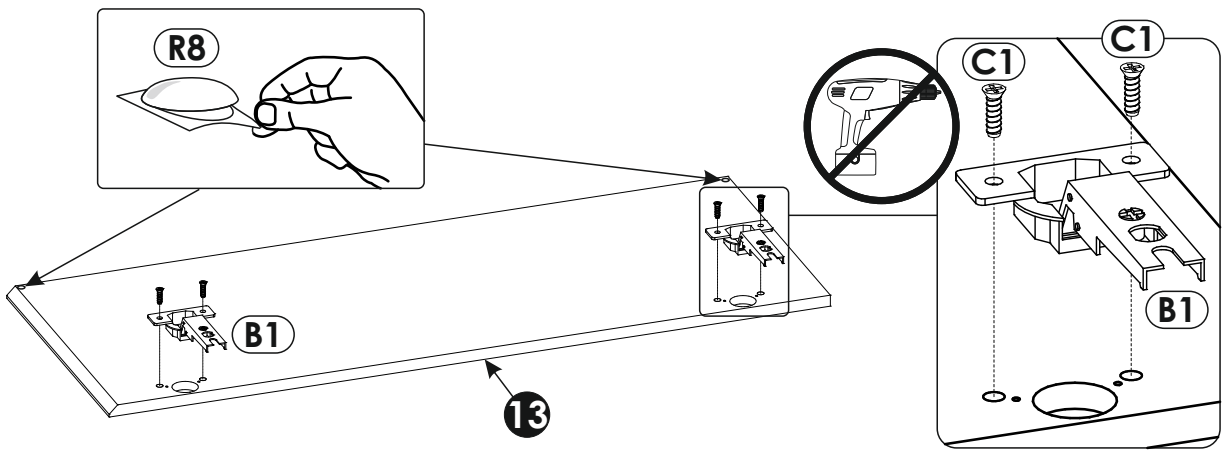
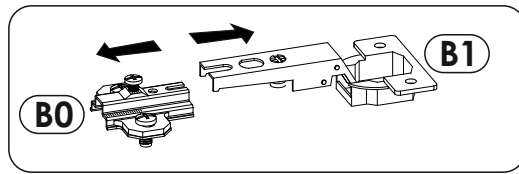
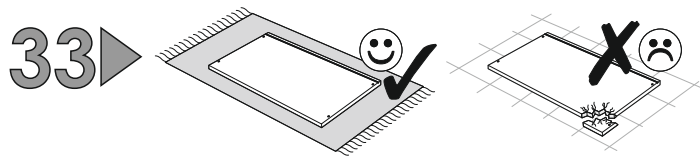


x5

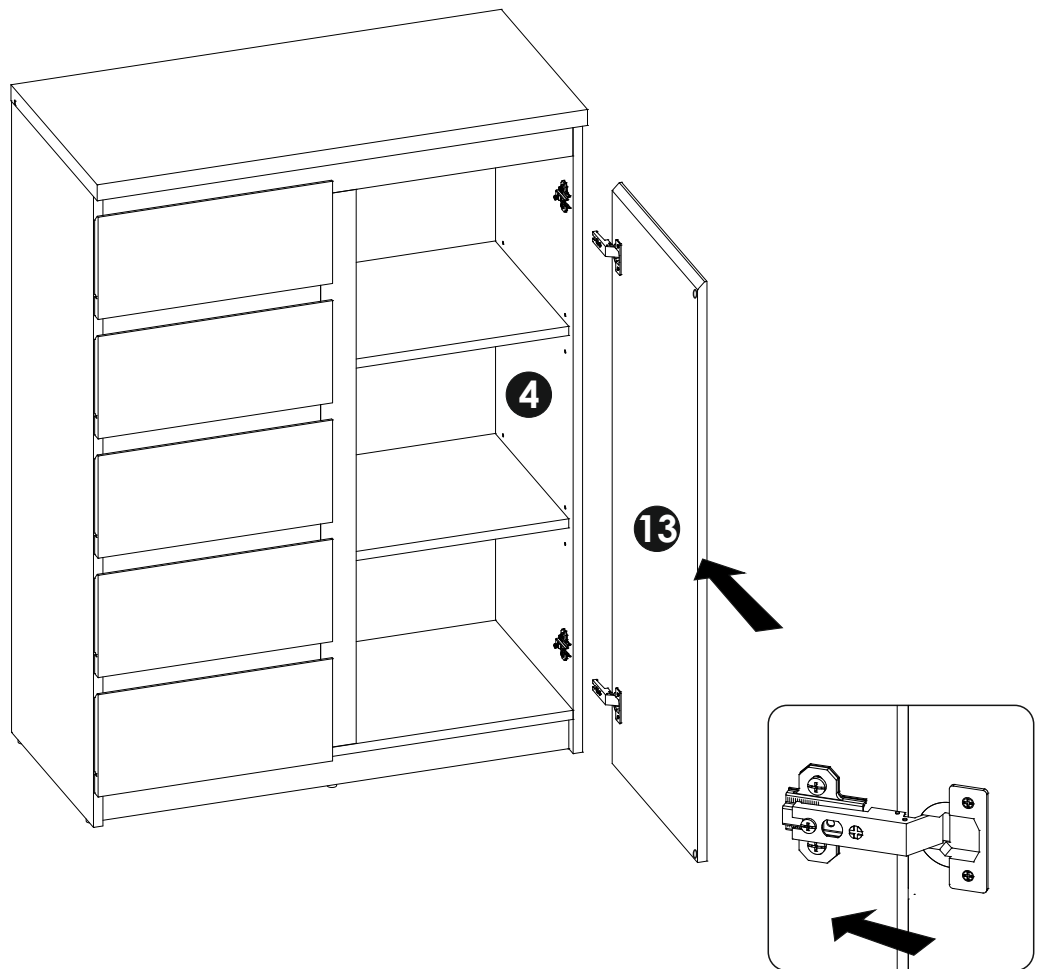


32 ▶

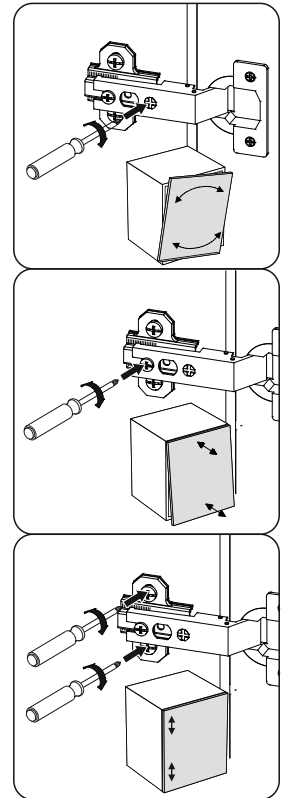
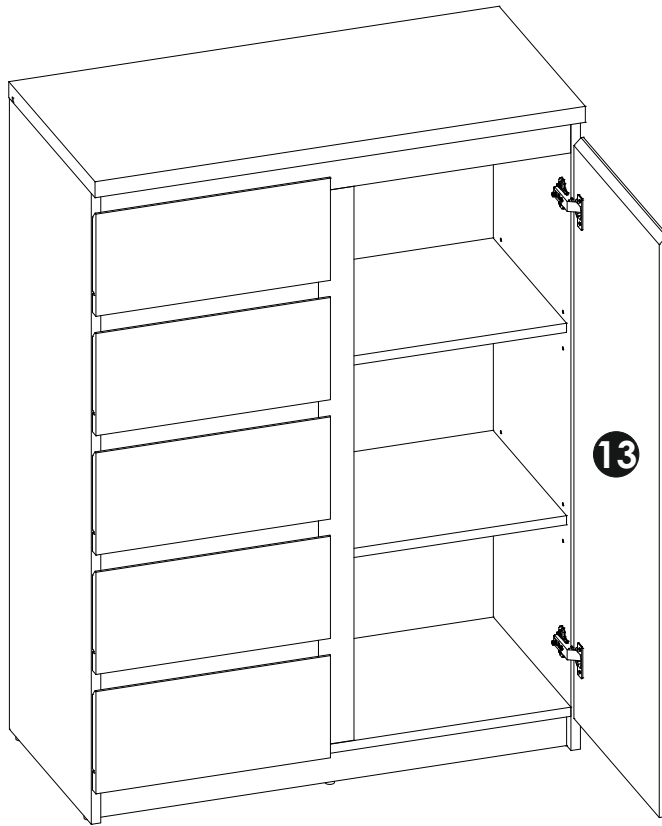




34 ▶



35▶



36▶

